



Installation Instructions

Warming Drawer

DWR30U900WP/DA
DWR30U900WS/DA
DWR30U900WM/DA

Contents

Before You Begin	2
Important Notes to the Owner	2
Customer-Assurance Information	2
Important safety information	3
Symbols used in this manual	3
California Proposition 65 Warning	3
General safety	3
Installation Requirements	4
Verifying the Package Contents	4
Installation Planning	4
Installing the Support Platform	6
Electrical / Environmental Specifications	6
Installation Instructions	7
Removing the Drawer	7
Installing the Chassis	8
Re-installing the Drawer	9
Control Panel	10
Installation Checklist	11

Before You Begin

Important Notes to the Owner

Installer

- Read this manual before installing the warming drawer.
- Remove all packing material before connecting the electric supply.
- Observe all governing codes and ordinances.
- Leave this manual with the owner, and write the unit's model/serial #s inside for easy reference.
- The owner shall see to the drawer's proper installation. (The warranty does not cover product failure due to improper installation.)

Owner

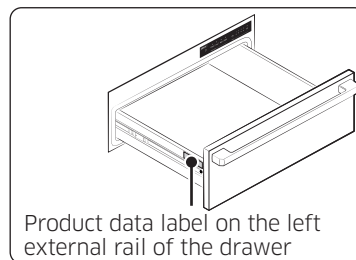
- As with any heat-generating appliance, certain safety precautions must be followed.
- Ensure your drawer is installed properly by a qualified installer or technician.
- Keep this manual handy for personal and professional reference.

Customer-Assurance Information

To resolve questions and installation issues, contact your Dacor dealer or the Dacor Customer Assurance Team.

Before calling, have the drawer's model/serial numbers available.

(See the drawer's data label : Product data label on the left external rail of the drawer)



Dacor Customer Assurance

833-353-5483(USA),
Monday – Friday 8:00 AM - 8:00 PM EST

844-509-4659(Canada)
Monday – Friday 8:00 AM - 8:00 PM EST

Website: www.dacor.com

All specifications are subject to change without notice.
Dacor assumes no liability for changes to specifications.

© 2018 Dacor, all rights reserved.

Important safety information

READ ALL INSTRUCTIONS BEFORE USING THIS APPLIANCE

- The **Important safety information** and warnings in this guide cannot cover all possible issues and conditions. Be sensible and cautious when installing/maintaining/operating this or any other appliance.
- Always contact the Dacor Customer Service Team about problems and conditions that you do not understand.

Symbols used in this manual

DANGER

Immediate hazards that **WILL** result in severe personal injury or death.

WARNING

Hazards or unsafe practices that may result in **severe personal injury or death**.

CAUTION

Hazards or unsafe practices that may result in **minor personal injury or property damage**.

NOTE

Useful tips and instructions.

These warning icons and symbols are here to prevent injury to you and others. Please follow them explicitly. After reading this section, keep it in a safe place for future reference.

California Proposition 65 Warning

WARNING

Cancer and Reproductive Harm - www.P65Warnings.ca.gov.

General safety

WARNING

To reduce the risk of fire, electric shock, personal injuries, and/or death, observe the following precautions.

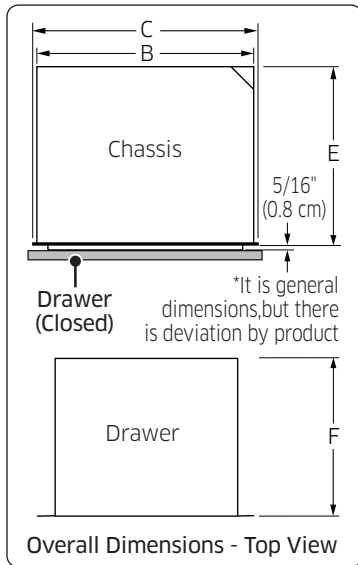
- **DO NOT** install or operate a product that is damaged, has a damaged power cord or plug, or is malfunctioning in any manner. Return the appliance to the nearest authorized service facility for examination, repair or adjustment.
- Make sure that the appliance has been properly installed and grounded by a qualified installer according to the accompanying installation instructions. Have the installer show you the location of the electrical outlet so that you know where to disconnect power to the appliance.
- **DO NOT** repair or replace any part of the warming drawer unless specifically recommended in the literature accompanying it. All other service should be done by a qualified technician.
- Use of accessory attachments not recommended by the appliance manufacturer may cause injuries.
- Make sure the warming drawer is used only by those individuals who are able to operate it properly.
- **DO NOT** tamper with the controls.
- **NEVER** allow anyone, including children to sit, stand or climb on any part of the appliance, including the drawer. Doing so may cause tipping, damage, serious injury or death.
- **DO NOT** leave children unattended in the area around the appliance. **DO NOT** allow children to operate it, play with the controls, pull on the handle or touch other parts. **DO NOT** store items of interest to children above the warming drawer. Children could be burned or injured while climbing on the appliance.

Installation Requirements

Verifying the Package Contents

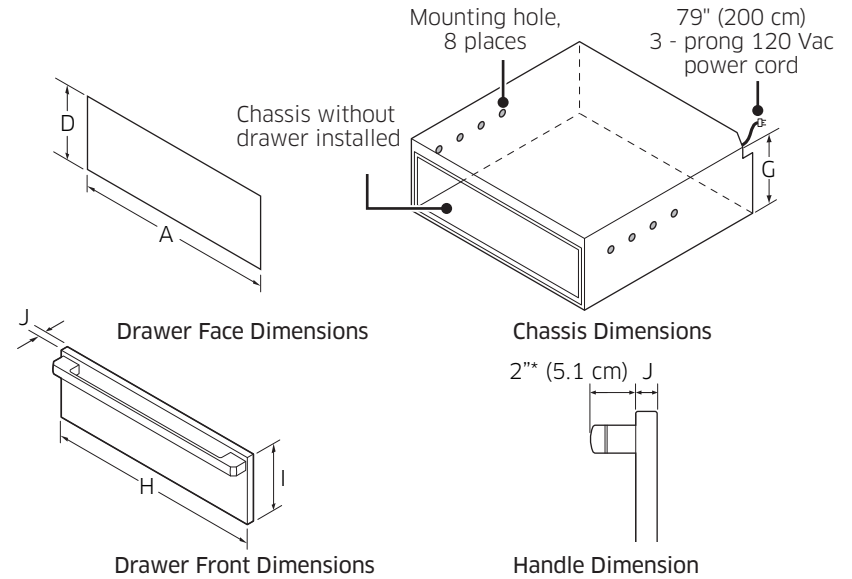
Mounting Screws - 6002-001309 (M5, L25)

Installation Planning



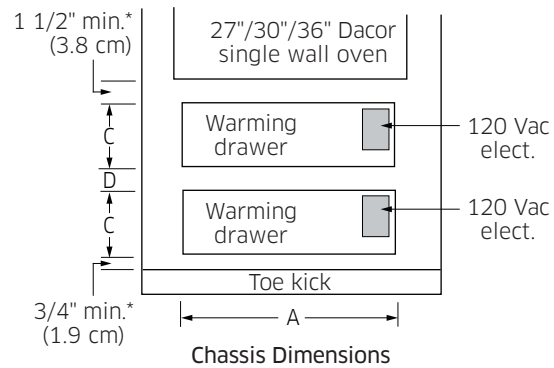
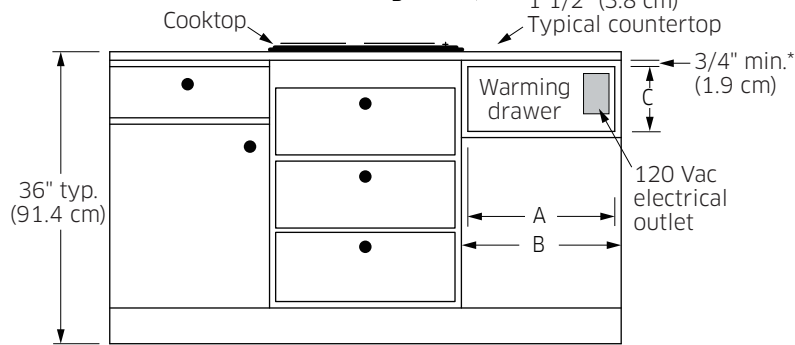
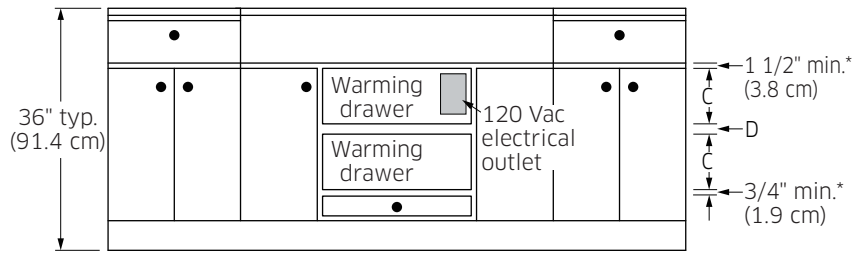
- A qualified technician must install this built-in appliance. Proper installation is the customer's responsibility.
- Carefully check the drawer's installation space to ensure the drawer is easily accessible and that electrical power can be provided to the location. Install the warming drawer in wood cabinets only.
- Plan the installation so all minimum clearances are met/exceeded. Dimensions shown provide minimum clearances unless otherwise noted. Ensure the drawer can be fully opened without impediment.

- The specified minimum cabinet depth and width must be provided. The cabinet depth and width must completely enclose the recessed portion of the drawer.
- Cabinet cutout dimensions must be used as indicated. All contact surfaces between the appliance and the cabinet must be solid and level. The drawer-support platform must be flush with the bottom edge of the cabinet cutout.
- Make certain that you have everything necessary to ensure a proper installation before proceeding.
- A custom front panel is required (for DWR30U900WP model).



A	Drawer Face Width	28 5/16" (71.9 cm)
B	Chassis Width	27 9/16" (70.1 cm)
C	Chassis Face Width	28 3/8" (72.1 cm)
D	Drawer Face Height	8 15/16" (22.7 cm)
E	Chassis Depth	23 1/2" (59.6 cm)
F	Drawer Depth	22 5/8" (57.4 cm)
G	Chassis Height	9 1/16" (23.0 cm)
H*	Drawer Front Width	29 3/4" (75.6 cm)
I*	Drawer Front Height	9 3/8" (23.9 cm)
J*	Drawer Front Depth	1" (2.5 cm)

* DWR30U900WS/DA, DWR30U900WM/DA models only



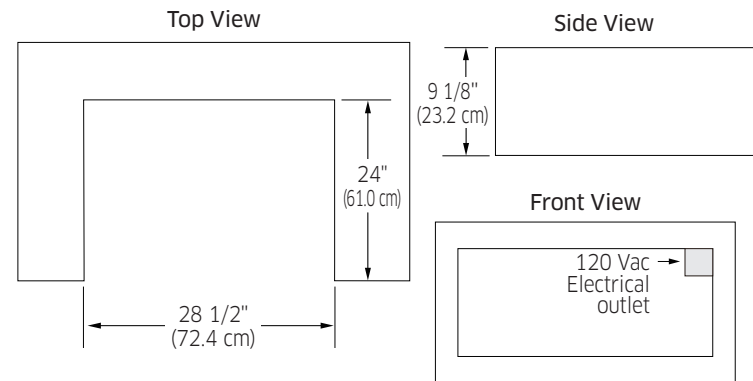
A	Cutout Width	28 1/2" (72.4 cm)
B*	Min. Width to Adjacent Doors/Drawers	30 1/4" (76.8 cm) **
C	Cutout Height	9 1/8" (23.2 cm)
D	Minimum Vertical Gap Between Cutouts	1 1/4" (3.2 cm)
Minimum Cutout Depth		24" (61.0 cm)

* Bare minimum spacing for ventilation and to avoid scraping on DWR30U900WS, DWR30U900WM models

** DWR30U900WP : Chassis and drawer face are smaller than cutout; custom front panel mounts to drawer face; height and width of custom front panel must exceed cutout dimensions (A, C above) to cover hole; allow 1/4" minimum added space on top, bottom and sides from the custom front panel edge to prevent scraping against adjacent doors, drawers, and countertop;

Standard cabinet dimensions

Dimensions provide minimum reveals.

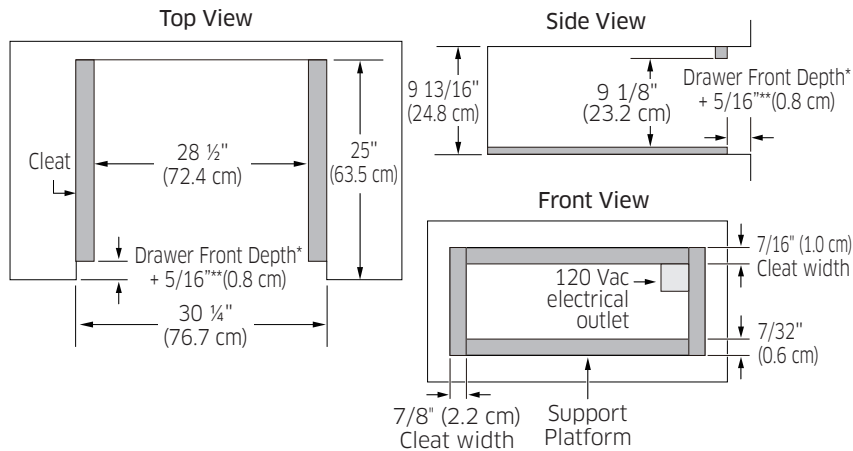


Installation Requirements

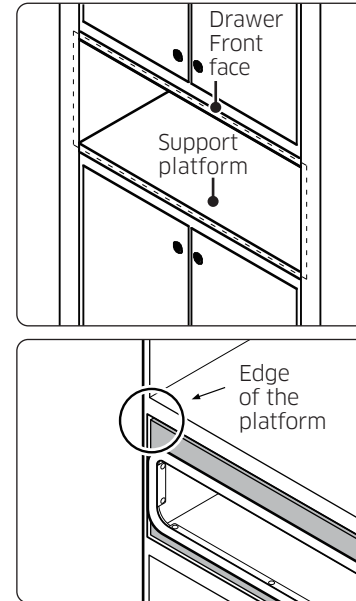
Flushed cabinet dimensions

Dimensions provide minimum reveals.

- * For DWR30U900WP model, it is the custom front panel depth.
If the custom front panel depth is 3/4", this dimension is 3/4" + 5/16" = 1 1/16".
- ** Due to the tolerance, it is recommended to measure the actual product and reflect it in the furniture cabinet



Installing the Support Platform



Provide a platform (100-lb. load capacity) within the cabinet upon which the warming drawer will be supported; 3/4" (1.9 cm) thick plywood is recommended. The platform must be installed level and straight. (No provision is made for leveling the drawer after installation.)

NOTE

If the drawer is installed out of level, it may slide open on its own or may not seal tightly, thus limiting the drawer's ability to warm food.

The top edge of the platform must be flush with the cutout at the front of the cabinet.

Electrical / Environmental Specifications

WARNING

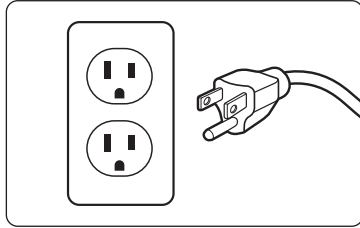
IMPORTANT: This appliance is equipped with a 3-prong grounding electric plug for protection against possible electric shock hazards. It must be plugged into a dedicated, grounded, electrical outlet. If only a 2-prong electrical outlet is available, it is the responsibility of the customer to have it replaced with a dedicated, properly grounded 3-prong electrical outlet.

NOTE

Use of a ground fault interrupter (GFI) is not recommended.

Installation Instructions

To avoid an electric shock hazard, do not under any circumstances:



3-prong plug and corresponding grounded outlet

- Cut or remove the third (ground) prong from the power cord.
- Use an adapter plug.
- Use a power cord that is frayed or damaged.
- Immerse the power cord or plug in water or other liquid.
- Connect the appliance to an extension cord.

- Minimum ambient operating temperature: 32 °F (0 °C).
- The correct voltage, frequency, and amperage must be supplied to the electrical outlet from a grounded, singlephase circuit protected by a properly sized circuit breaker or time-delay fuse.
 - Minimum electrical outlet hole size : 1.5 in² (36 cm²)
- The required voltage, frequency, and amperage ratings appear on the product data label. (See page 2 for location).

Nominal Electrical Supply Requirements

120 Vac, 60 Hz, 15 Amp., dedicated circuit The warming drawer is supplied with a 79" (200 cm) power cord with a 3-prong grounded plug.

Total Connected Load 0.5 kW (4 Amp.)

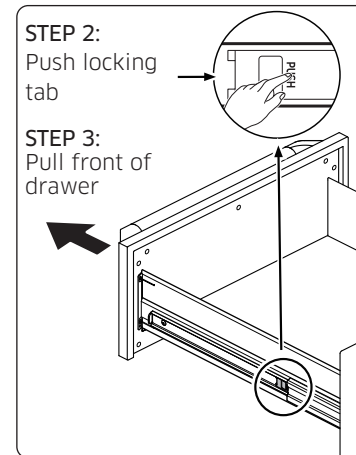
- The above power supply requirements are for reference only. Always use the requirements on the appliance label.
- The owner ensure the electrical outlet is installed by a qualified electrician; the installation must comply with the latest revision of the National Electric Code ANSI/NFPA 70, and local codes and ordinances.
- If the electrical service provided does not meet the product specification, or does not conform to the NEC or local standards, call a licensed electrician to correct the electrical service before proceeding with the installation.
- Install the electrical outlet in an accessible location so the warming drawer may be easily unplugged for servicing.
- Keep the electrical cord away from hot surfaces.

⚠ WARNING

- To avoid personal injury caused by the appliance falling forward when the drawer is opened, secure the chassis to the cabinet and support platform as instructed.
- Be certain that the power plug is disconnected from the electrical outlet before installation.
- Verify that the electrical supply matches the ratings found on the appliance data plate and the installation specifications before proceeding.

Removing the Drawer

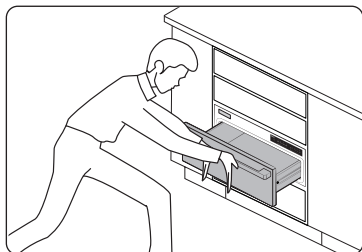
Remove the drawer from the appliance to allow access to the mounting holes during installation, and to reduce weight:



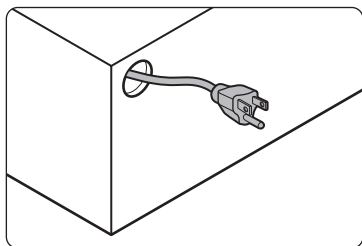
1. Pull the drawer out to the fully open position.
2. Push on the locking tab on both sides as you pull the drawer.
3. For safety, push both drawer slides into the drawer opening.

Installation Instructions

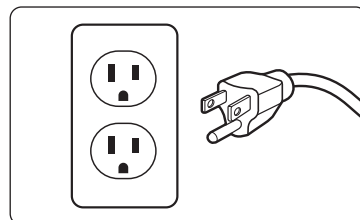
Installing the Chassis



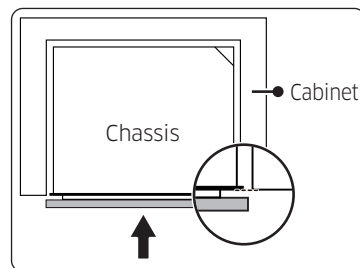
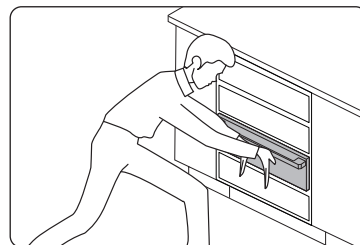
1. Grasp the warming drawer chassis on opposite sides and slide it partially into the cabinet opening. Temporarily support the chassis in place so that it will not tilt or fall.



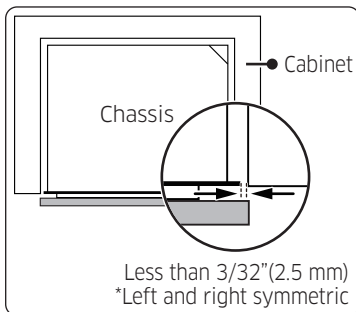
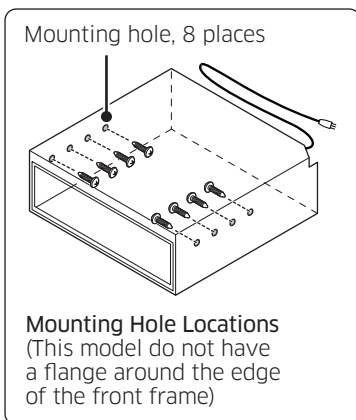
2. From an adjoining cabinet, reach in behind the drawer and pull the power cord until the plug is next to the electrical outlet. Do not plug in the power cord at this time.



3. After positioning the power cord and plug, slide the chassis completely into the cabinet until the front frame is positioned flush against the cabinet face.



- NOTE**
front frame is positioned flush against the cabinet face.

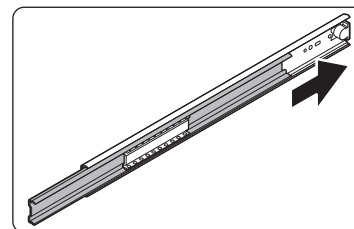


- Use the screws provided to secure the warming drawer chassis to the cabinet and support platform. Disassemble the drawer from the chassis first, and then insert the screws into the mounting holes and tighten into place. You may want to drill pilot holes prior to installing the mounting screws. After that, insert the drawer into the chassis.

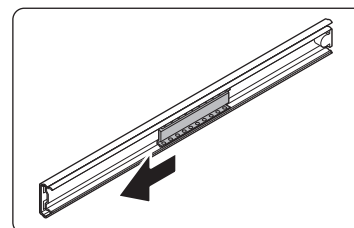
NOTE

It is recommended to prevent one side position of product in cabinet use a temporary spacer(such as Steel ruler, etc) according to the size of the furniture and If you fix product by mounting hole, please fix left and right.

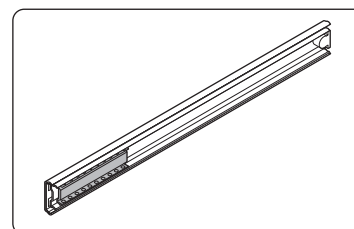
Re-installing the Drawer



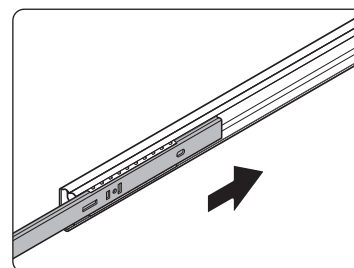
- Push the rail until it reaches the end of the chassis.



- Pull out the retainer to the front of the rail.



- Slightly insert one side of the drawer's rail into the chassis rail.
- Repeat the same process on the opposite side.
- Gently open and close the drawer to make sure that it is properly installed.



Installation Instructions

Control Panel



1. Connect power plug to the electrical outlet.
2. Open the drawer and press the **Power** (⏻) key on the control panel.
3. Press the **Proof**, **Low**, **Med** and **High** keys each in turn. When you press each key, the indicator directly above it should light. Leave the control panel set to **High**.
4. Press the **Hour Select** (⌚) key. The **1 Hour** indicator should light. Press and release the **Hour Select** (⌚) key three (3) more times. Each time you press the **Hour Select** (⌚) key, the **2 Hour**, **3 Hour** and **4 Hour** indicator lights should come on. All lights should be on after pressing the **Hour Select** (⌚) key the third time.
5. Press the **Continuous** (∞) key. The indicator light above it should come on and the **1**, **2**, **3** and **4 Hour** lights should go out.
6. After Hour select, the warming drawer should begin to heat. You should begin to feel the inside of the drawer begin to heat within 5 to 10 minutes.
7. When you have determined that the heating element is working, press the **Power** (⏻) key.

NOTE

If the warming drawer does not operate properly, follow these troubleshooting steps:

- Verify that the circuit breaker for the electrical outlet is on and not tripped. Make sure the power plug is connected.
- Repeat the above tests.
- If the appliance still does not work, call Dacor Customer Assurance 833-353-5483(USA), 844-509-4659(Canada) for assistance.
- Do not attempt to repair the appliance yourself. Be sure to have the model and serial numbers available when you call. See page 2 for model/serial number location.

Dacor is not responsible for the cost of correcting problems resulting from a faulty installation.

Installation Checklist

WARNING

- To ensure a safe and proper installation, the following checklist should be completed by the installer to ensure that no part of the installation has been overlooked.
- Proper installation is the responsibility of the homeowner. The importance of proper installation of your warming drawer cannot be overemphasized.

- Support platform has been installed according to the instructions on page 6.
- Properly grounded, dedicated, 3-prong electrical outlet has been installed for the appliance by a licensed electrician. See page 6.
- The chassis has been properly fastened to the sides of the cabinet. See page 8.
- The drawer has been properly installed. See page 9.
- Proper operation has been verified ?
- The warranty has been activated on-line or the warranty card filled out completely and mailed?
- Save these instructions for future reference.

dacor



DG68-01562A-00

Dacor • Phone: 833-353-5483(USA), 844-509-4659(CANADA) • www.dacor.com

dacor

Instrucciones de instalación

Cajón calentador

DWR30U900WP/DA
DWR30U900WS/DA
DWR30U900WM/DA

Contenido

Antes de comenzar	2
Nota importante para el propietario	2
Información de Atención al cliente	2
Información de seguridad importante	3
Símbolos usados en este manual	3
Advertencia de la Propuesta 65 de California	3
Seguridad general	3
Requisitos de instalación	4
Verificar el contenido del paquete	4
Planificar la instalación	4
Instalar la plataforma de soporte	6
Especificaciones eléctricas y medioambientales	6
Instrucciones de instalación	7
Quitar el cajón	7
Instalar la carcasa	8
Reinstalar el cajón	9
Panel de control	10
Lista de verificación para la instalación	11

Antes de comenzar

Nota importante para el propietario

Instalador

- Lea este manual antes de instalar el cajón calentador.
- Quite todo el material de empaquetado antes de conectar el suministro eléctrico.
- Cumpla todos los códigos y las ordenanzas vigentes.
- Lea este manual con el propietario y escriba los números de modelo y de serie de la unidad en su interior para tener una referencia fácil.
- El propietario debe procurar la instalación correcta del cajón. (La falla del producto debido a la instalación incorrecta no está cubierta por la garantía).

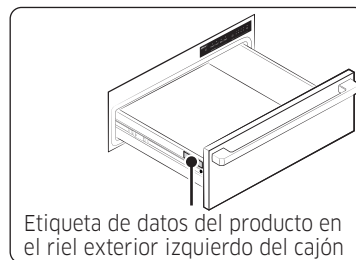
Propietario

- Como sucede con cualquier artefacto que genera calor, se deben seguir ciertas precauciones de seguridad.
- Asegúrese de que un instalador o técnico de servicio calificado haya instalado su cajón correctamente.
- Conserve este manual para referencia personal y profesional.

Información de Atención al cliente

Si desea hacer alguna pregunta o tiene un problema con la instalación, comuníquese con su distribuidor de Dacor o con el equipo de Atención al cliente de Dacor.

Antes de llamar, tenga a mano los números de modelo y de serie del cajón. (Consulte la etiqueta de información del cajón: Etiqueta de datos del producto en el riel exterior izquierdo del cajón)



Atención al cliente de Dacor

833-353-5483 (EE. UU.),
De lunes a viernes, de 8:00 a. m. a
8:00 p. m., hora estándar del Este
844-509-4659 (Canadá)
De lunes a viernes, de 8:00 a. m. a
8:00 p. m., hora estándar del Este

Sitio web: www.dacor.com

Todas las especificaciones están sujetas a cambios sin previo aviso.
Dacor no asume ninguna responsabilidad por cambios en las especificaciones.

© 2018 Dacor, todos los derechos reservados.

Información de seguridad importante

LEA TODAS LAS INSTRUCCIONES ANTES DE USAR ESTE ARTEFACTO.

- La **información importante** y las advertencias de seguridad de esta guía no pueden cubrir todos los posibles problemas y condiciones. Sea responsable y prudente al instalar/mantener/utilizar este o cualquier otro artefacto.
- Comuníquese con el Servicio de atención al cliente de Dacor siempre que tenga algún problema o no entienda alguna de las condiciones.

Símbolos usados en este manual

PELIGRO

Peligros o prácticas poco seguras que **PROVOCARÁN** lesiones personales graves o la muerte.

ADVERTENCIA

Peligros o prácticas poco seguras que pueden provocar **lesiones personales graves o la muerte**.

PRECAUCIÓN

Peligros o prácticas poco seguras que pueden provocar **lesiones personales leves o daños a la propiedad**.

NOTA

Instrucciones y sugerencias útiles.

Los siguientes íconos y símbolos de advertencia son para evitar que usted y otras personas sufran daños. Sígalos de forma explícita. Cuando haya leído esta sección, guárdela en un lugar seguro para futuras consultas.

Advertencia de la Propuesta 65 de California

ADVERTENCIA

Cáncer y daño reproductivo: www.P65Warnings.ca.gov.

Seguridad general

ADVERTENCIA

Para reducir el riesgo de incendio, descargas eléctricas, lesiones y muerte, respete estas precauciones.

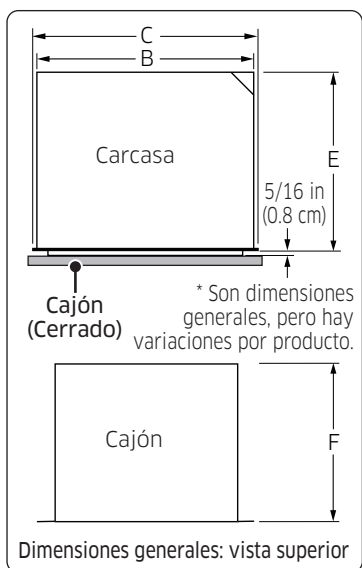
- **NO** instale ni utilice un producto dañado o que tenga el cable de alimentación o enchufe dañados o averiado. Devuelva el artefacto al servicio técnico autorizado más cercano para su inspección, reparación o ajuste.
- Asegúrese de que un instalador calificado conecte el artefacto a tierra correctamente según las instrucciones de instalación adjuntas. Dígame al instalador que le muestre la ubicación del tomacorriente para que sepa donde desconectar la alimentación del artefacto.
- **NO** repare ni reemplace cualquier parte del cajón calentador excepto que sea específicamente recomendado en la guía adjunta. Todos los otros servicios técnicos los debe realizar un técnico de servicio calificado.
- El uso de accesorios no recomendado por el fabricante puede provocar lesiones.
- Asegúrese de que el cajón calentador sea utilizado por personas que puedan usarlo adecuadamente.
- **NO** altere los controles.
- **NUNCA** permita que las personas o niños se sienten, paren o escalen el artefacto, incluido el cajón. Al hacerlo pueden caerse y provocar daños, lesiones graves o la muerte.
- **NO** deje a los niños sin supervisión en la zona del artefacto. **NO** permita que los niños lo utilicen, jueguen con los controles, tiren de la manija ni toquen otras piezas. **NO** almacene elementos de interés para los niños sobre el cajón calentador. Los niños pueden quemarse o lesionarse al escalar el artefacto.

Requisitos de instalación

Verificar el contenido del paquete

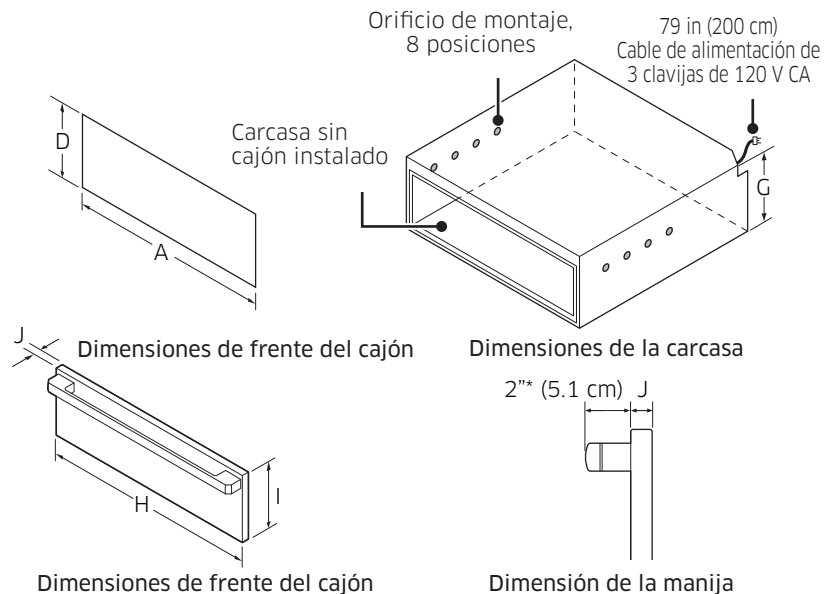
Tornillos de montaje: 6002-001309 (M5, L25)

Planificar la instalación



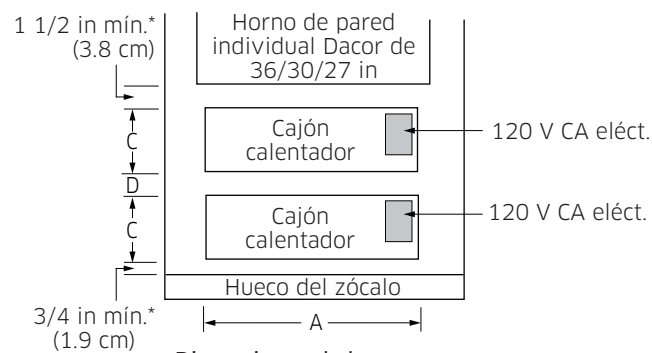
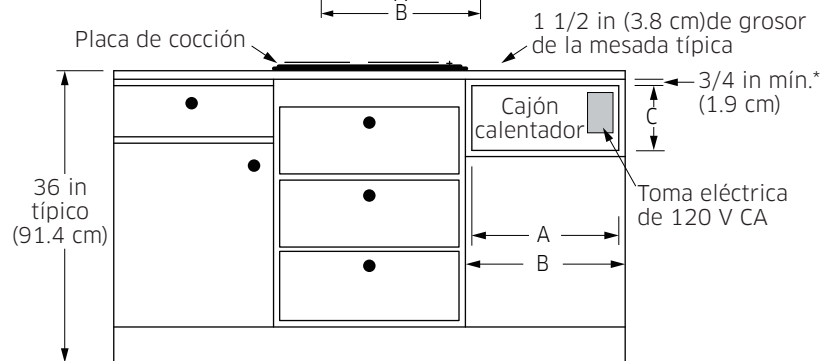
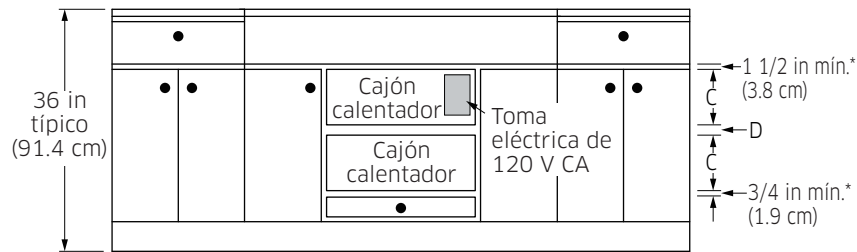
- Un técnico calificado debe instalar este artefacto integrado. La correcta instalación es responsabilidad del cliente.
- Revise cuidadosamente el espacio de instalación del cajón para asegurarse de que sea fácilmente accesible y de que se pueda suministrar alimentación eléctrica al lugar. Instale el cajón calentador solo en gabinetes de madera.
- Planifique la instalación de modo que se cumplan o superen todas las distancias mínimas. Las dimensiones indicadas proporcionan distancias mínimas a menos que se indique lo contrario. Asegúrese de que el cajón pueda abrirse por completo y sin impedimentos.

- Se debe proporcionar la profundidad y anchura mínimas de gabinete especificadas. La profundidad y la anchura del mueble deben cubrir completamente la parte empotrada del cajón.
- Las dimensiones de los bordes del gabinete deben ser las indicadas. Todas las superficies de contacto entre el artefacto y el gabinete deben ser sólidas y estar niveladas. La plataforma de soporte del cajón debe quedar al ras del borde inferior del corte del gabinete.
- Asegúrese de disponer de todo lo necesario para garantizar una instalación correcta antes de proceder.
- Se requiere un panel frontal personalizado (para el modelo DWR30U900WP).



A	Ancho de frente del cajón	28 5/16 in (71.9 cm)
B	Ancho de la carcasa	27 9/16 in (70.1 cm)
C	Ancho de frente de la carcasa	28 3/8 in (72.1 cm)
D	Altura de frente del cajón	8 15/16 in (22.7 cm)
E	Profundidad de la carcasa	23 1/2 in (59.6 cm)
F	Profundidad del cajón	22 5/8 in (57.4 cm)
G	Altura de la carcasa	9 1/16 in (23.0 cm)
H*	Ancho de frente del cajón	29 3/4 in (75.6 cm)
I*	Altura de frente del cajón	9 3/8 in (23.9 cm)
J*	Profundidad de frente del cajón	1" (2.5 cm)

* Solo modelos DWR30U900WS/DA, DWR30U900WM/DA



Dimensiones de la carcasa

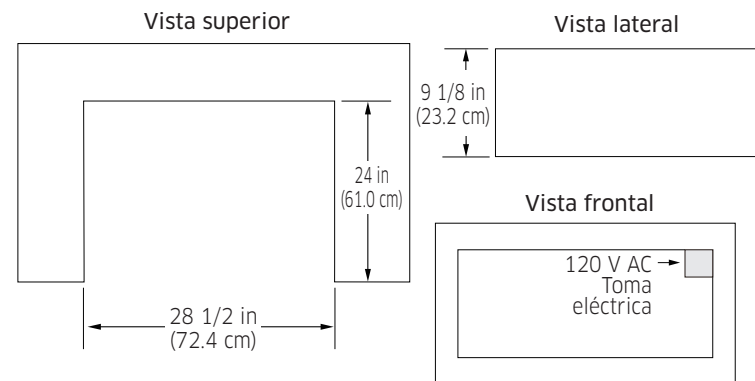
A	Ancho del corte	28 1/2 in (72.4 cm)
B*	Ancho mínimo hasta puertas/cajones adyacentes	30 1/4 in (76.8 cm) **
C	Altura del corte	9 1/8 in (23.2 cm)
D	Separación vertical mínima entre cortes	1 1/4 in (3.2 cm)
Profundidad mínima del corte		24 in (61.0 cm)

* Espacio mínimo para permitir la ventilación y para evitar raspaduras en los modelos DWR30U900WS, DWR30U900WM

** DWR30U900WP: La carcasa y el frente del cajón son más pequeños que el corte; el panel frontal a medida se monta en el frente del cajón; la altura y el ancho del panel frontal personalizado deben superar las dimensiones del corte (A y C arriba) para cubrir el orificio. Deje un espacio mínimo agregado de 1/4 in en la parte superior, inferior y laterales desde el borde del panel frontal personalizado para evitar raspaduras contra puertas, cajones y encimeras adyacentes;

Dimensiones estándar del gabinete

Las dimensiones indican las aberturas mínimas.

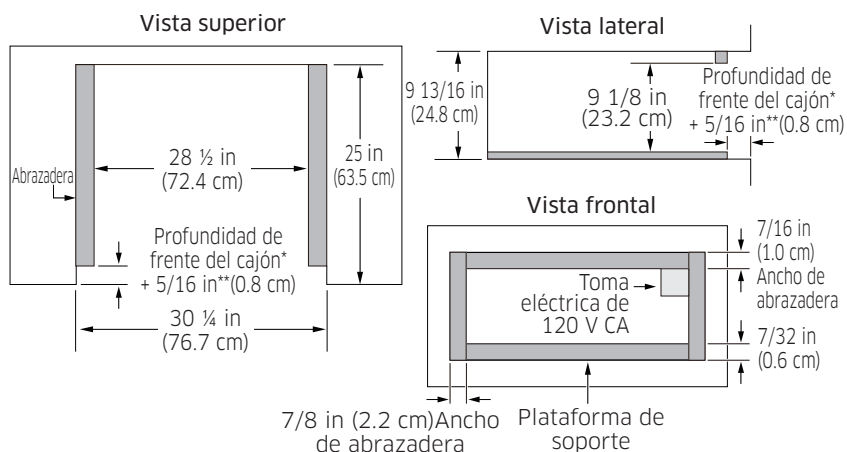


Requisitos de instalación

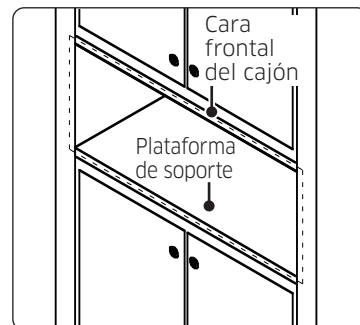
Dimensiones del gabinete empotrado

Las dimensiones indican las aberturas mínimas.

- * Para el modelo DWR30U900WP, es la profundidad personalizada del panel frontal.
Si el grosor del panel personalizado es $\frac{3}{4}$ in, esta dimensión es de $\frac{3}{4}$ in + $\frac{5}{16}$ in = $1 \frac{1}{16}$ in.
- ** Debido a la tolerancia, se recomienda medir el producto real y reflejarlo en el mueble gabinete



Instalar la plataforma de soporte



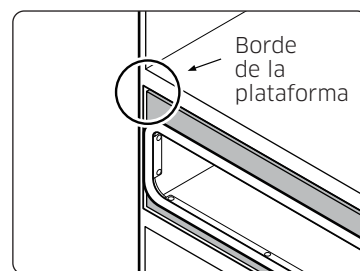
Coloque una plataforma (capacidad de carga de 100 libras) dentro del gabinete sobre la cual se apoyará el cajón calentador.

Se recomienda utilizar madera contrachapada de $\frac{3}{4}$ in (1.9 cm) de grosor. La plataforma se debe instalar nivelada y recta. (No está previsto nivelar el cajón después de la instalación).

NOTA

Si el cajón se instala desnivelado, es posible que se abra por sí solo o que no selle herméticamente y se limite así la capacidad del cajón para calentar alimentos.

El borde superior de la plataforma debe quedar al ras del corte de la parte delantera del gabinete.



Especificaciones eléctricas y medioambientales

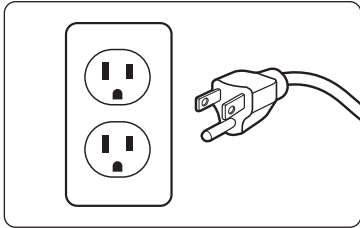
ADVERTENCIA

IMPORTANTE: El artefacto incluye un enchufe eléctrico de 3 patillas para brindar protección contra peligros de descarga eléctrica. Se debe enchufar a un tomacorriente con conexión a tierra. Si solo dispone de un tomacorriente eléctrico de 2 patillas, es su responsabilidad reemplazarlo con un tomacorriente adecuado de 3 patillas.

NOTA

No se recomienda el uso de un interruptor de circuito por pérdida a tierra.

Para evitar peligros de descarga eléctrica, bajo ninguna circunstancia:



Enchufe de 3 patillas y tomacorriente con conexión a tierra correspondiente

- Corte o quite la tercera patilla del cable de alimentación.
- Utilice un enchufe adaptador.
- Utilice un cable de alimentación desgastado o dañado.
- Introduzca el cable de alimentación o el enchufe en agua u otro líquido.
- Conecte el artefacto a un cable de extensión.

- Temperatura ambiente mínima para utilizarlo: 32 °F (0 °C).
- El voltaje, la frecuencia y el amperaje correctos se deben suministrar a la toma eléctrica desde un circuito monofásico con conexión a tierra protegido por un disyuntor o fusible de retardo de tamaño adecuado.
 - Tamaño mínimo del tomacorriente de salida eléctrica: 1.5 in² (36 cm²)
- Los valores de voltaje, frecuencia y amperaje requeridos aparecen en la etiqueta de datos del producto. (Consulte la página 2 para conocer la ubicación de la etiqueta).

Requisitos nominales de alimentación eléctrica

120 V CA, 60 Hz, 15 A., circuito dedicado El cajón calentador se suministra con un cable de alimentación de 79 in (200 cm) con un enchufe de 3 patillas con toma de tierra.

Carga total conectada 0.5 kW (4 A)

- Los requisitos de alimentación indicados son solo de referencia. Utilice siempre los requisitos de la etiqueta del artefacto.
- El propietario se debe asegurar de que un electricista calificado instale el tomacorriente; la instalación debe cumplir la última revisión del Código Eléctrico Nacional ANSI/NFPA n.º 70 y los códigos y ordenanzas locales.
- Si el servicio eléctrico suministrado no cumple con las especificaciones del producto, o no se ajusta al NEC o a las normas locales, llame a un electricista autorizado para que corrija el servicio eléctrico antes de proceder con la instalación.
- Instale el tomacorriente en un lugar accesible para que el cajón calentador pueda desenchufarse fácilmente para su mantenimiento.
- Aleje el cable de alimentación de las superficies calientes.

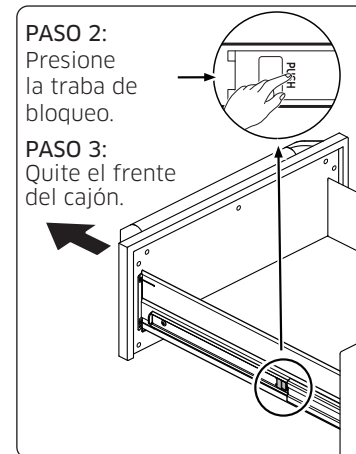
Instrucciones de instalación

⚠ ADVERTENCIA

- Para evitar que se produzcan lesiones personales por la caída del artefacto hacia delante al abrir el cajón, fije la carcasa al gabinete y a la plataforma de soporte según las instrucciones.
- Asegúrese de que el enchufe esté desconectado del tomacorriente antes de la instalación.
- Antes de proceder, compruebe que el suministro eléctrico coincide con los valores indicados en la placa de información del artefacto y con las especificaciones de instalación.

Quitar el cajón

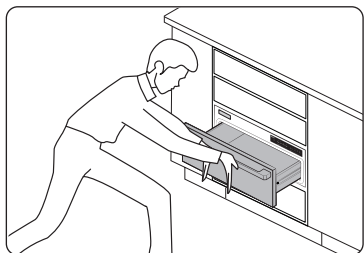
Quite el cajón del artefacto para acceder a los agujeros de montaje durante la instalación y para reducir el peso:



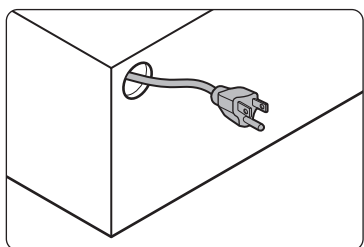
1. Retire el cajón hasta la posición de apertura total.
2. Presione la traba de bloqueo en ambos lados al retirar el cajón.
3. Por seguridad, presione ambos deslizantes del cajón hacia la apertura del cajón.

Instrucciones de instalación

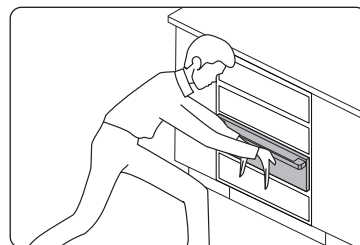
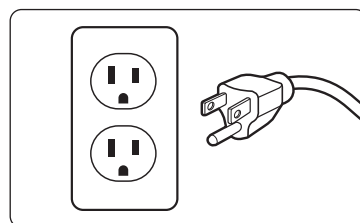
Instalar la carcasa



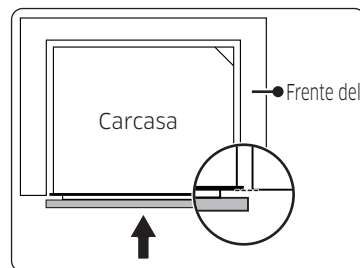
1. Sujete la carcasa del cajón calentador por los lados opuestos e introdúzcala parcialmente en la abertura del gabinete. Sostenga la carcasa temporalmente en su sitio para que no se incline ni se caiga.



2. Desde un gabinete contiguo, introduzca la mano por detrás del cajón y tire del cable de alimentación hasta que el enchufe quede junto al tomacorriente. No enchufe el cable de alimentación en este momento.

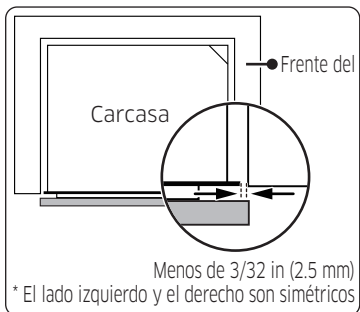
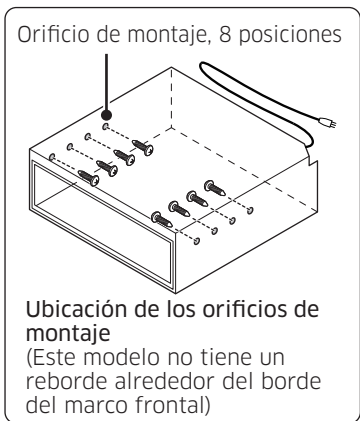


3. Después de colocar el cable de alimentación y el enchufe, deslice la carcasa completamente en el gabinete hasta que el marco frontal quede al ras de la cara del gabinete.



NOTA

El marco frontal se coloca al ras de la cara del gabinete.

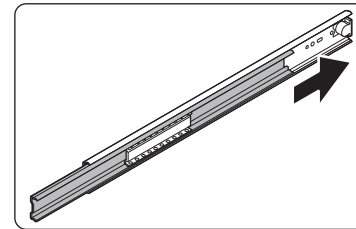


4. Utilice los tornillos suministrados para fijar la carcasa del cajón calentador al gabinete y a la plataforma de soporte. Desmonte primero el cajón de la carcasa y, a continuación, inserte los tornillos en los orificios de montaje y ajústelos en su sitio. Es posible que desee realizar agujeros piloto con un taladro antes de instalar los tornillos de montaje. A continuación, inserte el cajón en la carcasa.

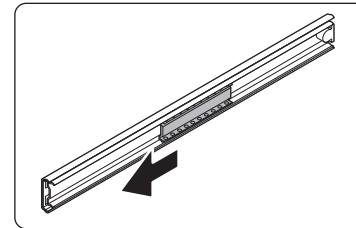
NOTA

Se recomienda utilizar un espaciador temporal (como una regla de acero) según el tamaño del mueble para evitar que el producto se coloque en un lado del gabinete. Si fija el producto mediante un orificio de montaje, hágalo a la izquierda y a la derecha.

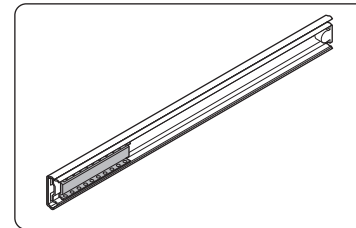
Reinstalar el cajón



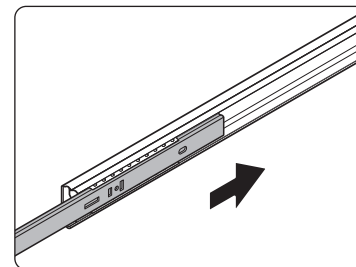
1. Presione el riel hasta que alcance el final de la carcasa.



2. Retire el retén del frente del riel.



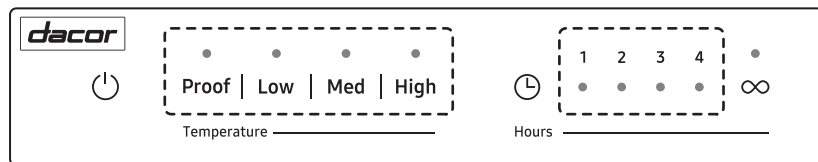
3. Introduzca suavemente un lado del riel del cajón hacia el riel de la carcasa.



4. Repita el mismo proceso en el lado opuesto.
5. Abra y cierre el cajón suavemente para asegurarse de que esté instalado correctamente.

Instrucciones de instalación

Panel de control



1. Conecte el enchufe al tomacorriente.
2. Abra el cajón y toque el botón **Power (Encendido)** (⏻) del panel de control.
3. Toque sucesivamente los botones **Proof (Prueba)**, **Low (Bajo)**, **Medium (Medio)** y **High (Alto)**. Al tocar cada botón, se debe encender el indicador situado justo encima. Deje el panel de control configurado en **High (Alto)**.
4. Toque el botón de **Hour Select (Selección de hora)** (🕒). Se debe encender el indicador de **1 hora**. Presione y suelte el botón de **Hour Select (Selección de hora)** (🕒) tres (3) veces más. Cada vez que toque el botón de **Hour Select (Selección de hora)** (🕒), se encenderán las luces indicadoras de **2 horas**, **3 horas** y **4 horas**. Todas las luces se deben encender después de tocar el botón de **Hour Select (Selección de hora)** (🕒) por tercera vez.
5. Toque el botón **Continuous (Continuo)** (∞). La luz indicadora ubicada arriba se debe encender y las luces de **1, 2, 3 y 4 horas** se deben apagar.
6. Después de seleccionar el horario, el cajón calentador debería comenzar a calentarse.
Debe empezar a notar que el interior del cajón empieza a calentarse en 5 o 10 minutos.
7. Cuando haya comprobado que el elemento calefactor funciona, toque el botón **Power (Encendido)** (⏻).

NOTA

Si el cajón calentador no funciona correctamente, siga estos pasos para solucionar el problema:

- Compruebe que el disyuntor del tomacorriente está encendido y no se ha disparado. Asegúrese de que el enchufe esté conectado.
- Repita las pruebas anteriores.
- Si el artefacto sigue sin funcionar, llame al Servicio de atención al cliente de Dacor al 833-353-5483 (EE. UU.), 844-509-4659 (Canadá) para solicitar asistencia.
- No intente reparar el artefacto por su cuenta. Asegúrese de tener a mano los números de modelo y serie cuando llame. Consulte la página 2 para conocer la ubicación de los números de modelo y de serie.

Dacor no se hace responsable de los costos de corrección de los problemas por una instalación defectuosa.

Lista de verificación para la instalación

ADVERTENCIA

- Para garantizar una instalación segura y adecuada, el instalador debe completar la siguiente lista de verificación para asegurarse de que no se haya pasado por alto ninguna parte de la instalación.
- El dueño del hogar es responsable de llevar a cabo una instalación adecuada. Recalamos siempre la importancia de instalar correctamente el cajón calentador.

- La plataforma de soporte se ha instalado según las instrucciones de la página 6.
- Un electricista autorizado ha instalado un tomacorriente de 3 patillas con conexión a tierra adecuada para el artefacto. Consulte la página 6.
- La carcasa se ha fijado correctamente a los laterales del gabinete. Consulte la página 8.
- El cajón se ha instalado correctamente. Consulte la página 9.
- ¿Se comprobó el correcto funcionamiento?
- ¿Se activó la garantía en línea o se rellenó completamente la tarjeta de garantía y se envió por correo?
- Guarde estas instrucciones para realizar futuras consultas.

dacor



DG68-01562A-00

Dacor • Teléfono: 833-353-5483 (EE. UU.), 844-509-4659 (CANADÁ) • www.dacor.com

dacor

Instructions d'installation

Tiroir chauffant

DWR30U900WP/DA
DWR30U900WS/DA
DWR30U900WM/DA

Contenu

Avant de commencer	2
Remarque importante à l'intention du propriétaire	2
Informations sur l'assistance client	2
Informations de sécurité importantes	3
Symboles utilisés dans ce manuel	3
Avertissement relatif à la proposition 65 de l'État de Californie	3
Sécurité générale	3
Exigences d'installation	4
Vérification du contenu de la boîte	4
Préparation de l'installation	4
Installation de la plateforme support	6
Spécifications électriques / environnementales	6
Instructions d'installation	7
Retrait du tiroir	7
Installation du châssis	8
Réinstallation du tiroir	9
Tableau de commande	10
Liste de contrôle de l'installation	11

Avant de commencer

Remarque importante à l'intention du propriétaire

Installateur

- Lisez attentivement le présent manuel avant d'installer le tiroir chauffant.
- Retirez tous les matériaux d'emballage avant de brancher l'alimentation électrique.
- Respectez tous les codes et ordonnances en vigueur.
- Laissez ce manuel au propriétaire et inscrivez-y les numéros de modèle et de série de l'appareil pour pouvoir le consulter facilement.
- Le propriétaire doit veiller à l'installation correcte du tiroir. (La garantie ne couvre pas les défaillances du produit dues à une installation inadéquate.)

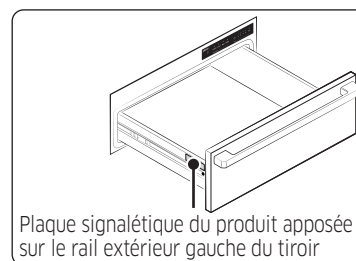
Propriétaire

- À l'instar de tout appareil générant de la chaleur, certaines précautions de sécurité doivent être respectées.
- Veillez à ce que votre tiroir soit installé correctement par un installateur ou un technicien qualifié.
- Conservez ce manuel à portée de main pour vous y référer à titre personnel ou professionnel.

Informations sur l'assistance client

Pour toute question ou problème lié à l'installation, veuillez contacter votre concessionnaire Dacor ou avec l'équipe d'assistance client de Dacor.

Avant d'appeler, munissez-vous du numéro de modèle et du numéro de série du tiroir. (Consultez la plaque signalétique du tiroir : plaque signalétique du produit apposée sur le rail extérieur gauche du tiroir)



Assistance client de Dacor

833-353-5483(USA),
Du lundi au vendredi, de 8h00 à 20h00
(heure de l'Est)

844-509-4659 (Canada)
Du lundi au vendredi, de 8h00 à 20h00
(heure de l'Est)

Site Internet : www.dacor.com

Toutes les spécifications du produit peuvent être modifiées sans préavis.
Dacor n'assume aucune responsabilité en cas de modification des spécifications.

© 2018 Dacor, tous droits réservés.

Informations de sécurité importantes

LISEZ TOUTES LES INSTRUCTIONS AVANT D'UTILISER CET APPAREIL

- Les **informations de sécurité importantes** et les avertissements figurant dans le présent manuel ne peuvent pas couvrir toutes les éventualités et tous les problèmes possibles. Faites preuve de bon sens et de prudence lors de l'installation, l'entretien et l'utilisation de cet appareil ou de tout autre appareil.
- Contactez systématiquement l'équipe du service client Dacor si vous rencontrez un problème ou un cas que vous ne comprenez pas.

Symboles utilisés dans ce manuel

DANGER

Dangers immédiats qui **ENTRAÎNERONT** des blessures graves ou la mort.

AVERTISSEMENT

Risques ou manipulations dangereuses susceptibles d'entraîner des **blessures graves, voire mortelles**.

MISE EN GARDE

Risques ou manipulations dangereuses susceptibles d'entraîner **des blessures légères ou des dégâts matériels**.

REMARQUE

Conseils et instructions utiles.

Ces icônes et symboles d'avertissement sont là pour éviter de vous blesser ou de blesser d'autres personnes. Veuillez les suivre explicitement. Après avoir lu cette section, conservez-la dans un endroit sûr pour pouvoir la consulter ultérieurement.

Avertissement relatif à la proposition 65 de l'État de Californie

AVERTISSEMENT

Cancer et troubles de la fertilité - www.P65Warnings.ca.gov.

Sécurité générale

AVERTISSEMENT

Pour réduire les risques d'incendie, de choc électrique, de blessures ou de décès, respectez les précautions suivantes.

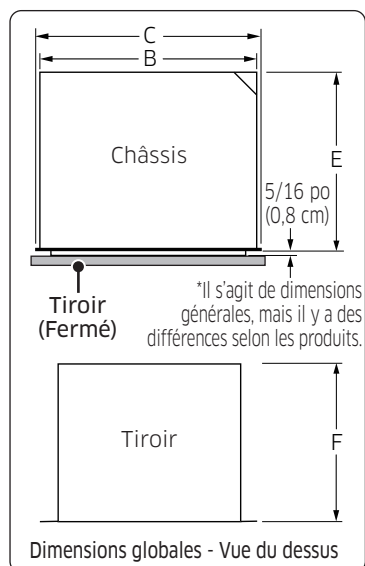
- N'installez pas et n'utilisez pas un produit endommagé, dont le cordon ou la prise d'alimentation est endommagé, ou qui présente un quelconque dysfonctionnement. Renvoyez l'appareil au centre de service agréé le plus proche pour examen, réparation ou réglage.
- Assurez-vous que l'appareil a été correctement installé et mis à la terre par un installateur qualifié, conformément aux instructions d'installation qui l'accompagnent. Demandez à l'installateur de vous montrer l'emplacement de la prise électrique afin que vous sachiez où débrancher l'appareil.
- **NE** réparez pas ou ne remplacez pas des pièces du tiroir chauffant à moins que cela soit spécifiquement recommandé dans la documentation qui l'accompagne. Toute autre réparation doit être effectuée par un technicien qualifié.
- L'utilisation d'accessoires non recommandés par le fabricant de l'appareil peut entraîner des blessures.
- Veillez à ce que le tiroir chauffant ne soit utilisé que par des personnes capables de le faire fonctionner correctement.
- **NE** manipulez pas les commandes.
- Ne **LAISSEZ JAMAIS** quiconque, y compris des enfants, s'asseoir, se tenir debout ou grimper sur une quelconque partie de l'appareil, y compris le tiroir. Cela peut faire basculer l'appareil ou l'endommager, ou entraîner des blessures graves ou la mort.
- Ne laissez **PAS** les enfants sans surveillance à proximité de l'appareil. **NE** laissez pas d'enfants utiliser, jouer avec les commandes, tirer sur la poignée ou toucher d'autres pièces de l'appareil. **NE** rangez pas d'objets susceptibles d'intéresser les enfants au-dessus du tiroir chauffant. Les enfants pourraient se brûler ou se blesser en grim pant sur l'appareil.

Exigences d'installation

Vérification du contenu de la boîte

Vis de montage - 6002-001309 (M5, L25)

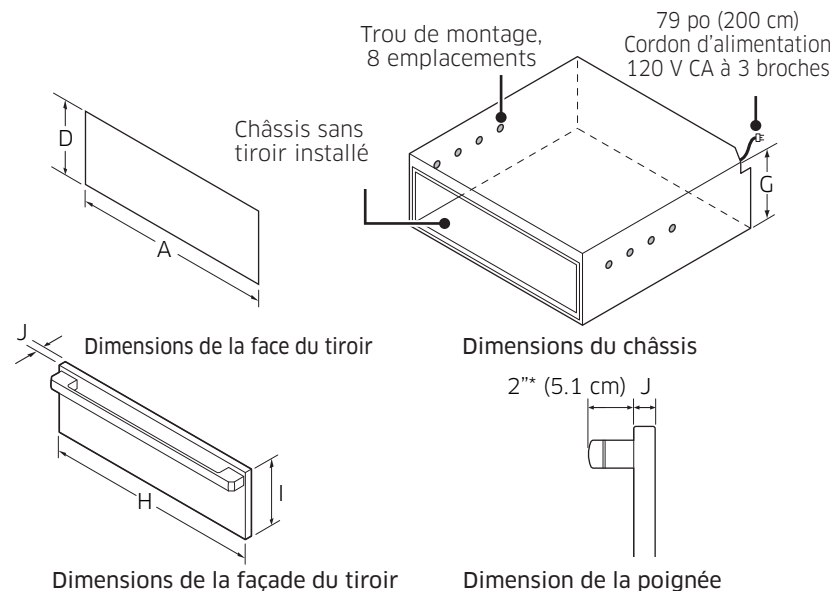
Préparation de l'installation



- L'installation de cet appareil encastrable doit être effectuée par un technicien qualifié. L'installation correcte de l'appareil relève de la responsabilité du client.
- Vérifiez l'espace où le tiroir doit être installé pour vérifier que le tiroir sera facile d'accès et que l'alimentation électrique peut être acheminée jusqu'à l'emplacement prévu. Installez le tiroir chauffant uniquement dans les meubles en bois.
- Préparez l'installation de manière à respecter, voire dépasser les distances minimales de dégagement prescrites. Les dimensions indiquées correspondent à des distances de dégagement minimales, sauf indication contraire. Vérifiez que le tiroir peut s'ouvrir entièrement sans entrave.

- Il convient de respecter la profondeur et la largeur minimales du meuble d'encastrement. La profondeur et la largeur du meuble doivent englober complètement la partie encastrée du tiroir.
- Les dimensions de découpe du meuble doivent être utilisées comme indiqué. Toutes les surfaces de contact entre l'appareil et le meuble doivent être solides et de niveau. La plateforme support du tiroir doit affleurer le bord inférieur de la découpe du meuble.
- Vérifiez que vous disposez de tous les éléments nécessaires pour réaliser l'installation correctement avant de poursuivre.
- Un panneau avant personnalisé est nécessaire (pour le modèle DWR30U900WP).

4 Français



A	Largeur de la face du tiroir	28 5/16 po (71,9 cm)
B	Largeur du châssis	27 9/16 po (70.1 cm)
C	Largeur de la face du châssis	28 3/8 po (72,1 cm)
D	Hauteur de la face du tiroir	8 15/16 po (22,7 cm)
E	Profondeur du châssis	23 1/2 po (59,6 cm)
F	Profondeur du tiroir	22 5/8 po (57,4 cm)
G	Hauteur du châssis	9 1/16 po (23.0 cm)
H*	Largeur de la façade du tiroir	29 3/4 po (75,6 cm)
I*	Hauteur de la façade du tiroir	9 3/8 po (23.9 cm)
J*	Profondeur de la façade du tiroir	1 po (2,5 cm)

* Modèles DWR30U900WS/DA, DWR30U900WM/DA uniquement

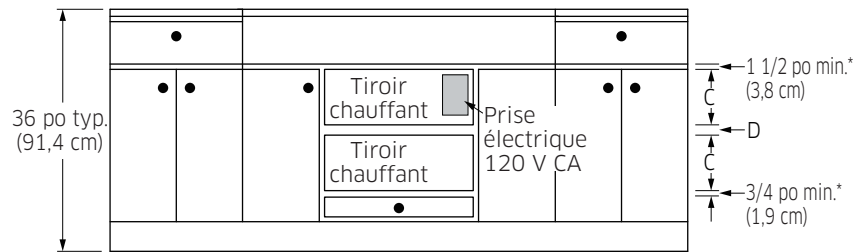
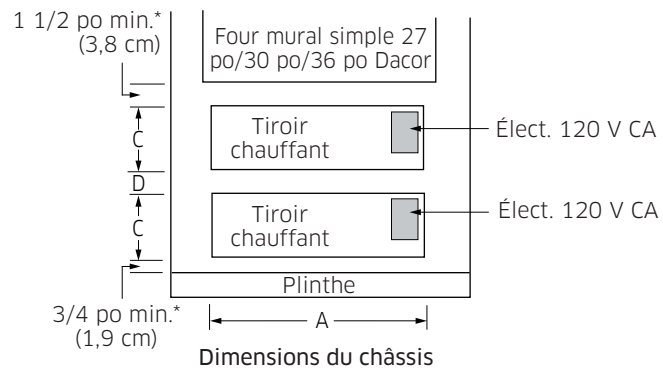
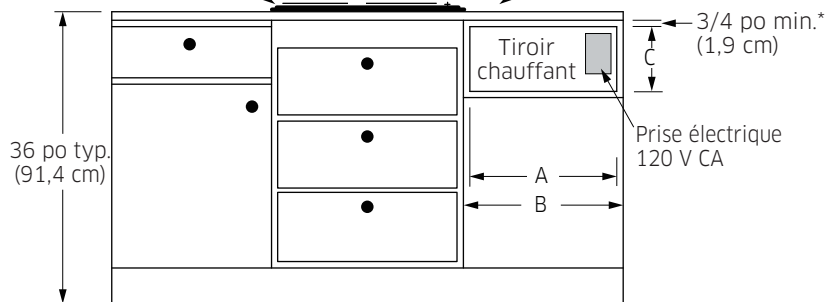


Table de cuisson 1 1/2 po (3,8 cm) Plan de travail classique



Dimensions du châssis

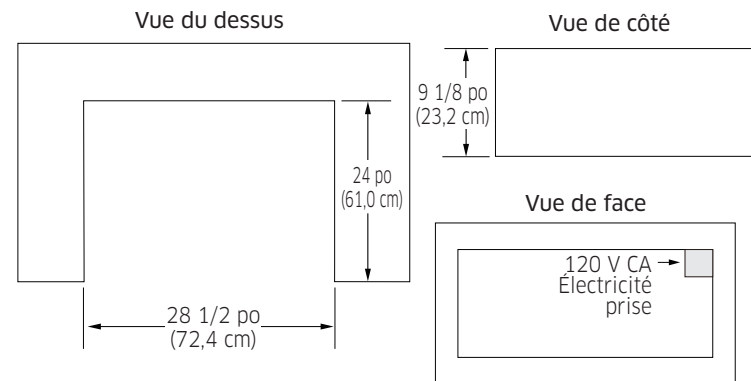
A	Largeur de la découpe	28 1/2 po (72,4 cm)
B*	Largeur min. par rapport aux portes/ tiroirs adjacents	30 1/4 po (76,8 cm) **
C	Hauteur de la découpe	9 1/8 po (23,2 cm)
D	Espace vertical minimum entre les découpes	1 1/4 po (3,2 cm)
Profondeur minimale de la découpe		24 po (61,0 cm)

* Espacement minimum pour la ventilation et pour éviter les rayures sur les modèles DWR30U900WS, DWR30U900WM.

** DWR30U900WP : Le châssis et la façade du tiroir sont plus petits que la découpe ; le panneau avant personnalisé se monte sur la façade du tiroir ; la hauteur et la largeur du panneau avant personnalisé doivent dépasser les dimensions de la découpe (A, C ci-dessus) pour couvrir le trou ; prévoir un espace supplémentaire d'au moins 1/4 po en haut, en bas et sur les côtés à partir du bord du panneau avant personnalisé pour éviter les frottements contre les portes, les tiroirs et le plan de travail adjacents ;

Dimensions standard du meuble

Les dimensions indiquent les jeux minimums.

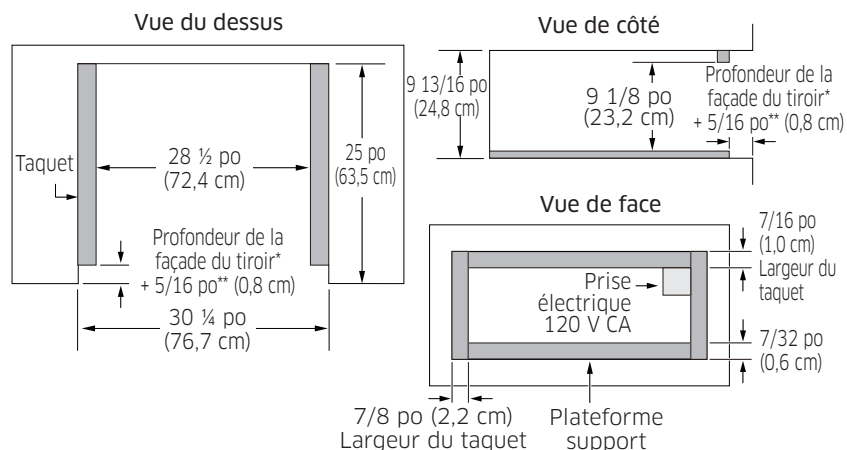


Exigences d'installation

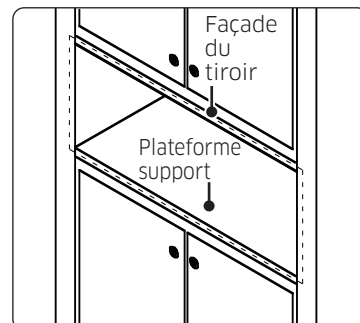
Dimensions du meuble affleurant

Les dimensions indiquent les jeux minimums.

- * Pour le modèle DWR30U900WP, il s'agit de la profondeur du panneau avant personnalisé.
Si l'épaisseur du panneau est 3/4 po, cette dimension est de 3/4 po + 5/16 po = 1 1/16 po.
- ** En raison de la tolérance, il est recommandé de mesurer le produit en lui-même et de refléter cette mesure dans le meuble.

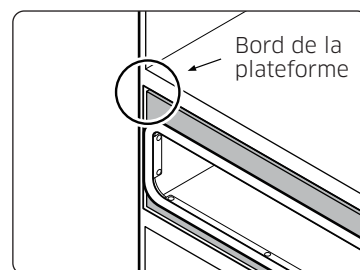


Installation de la plateforme support



Prévoyez une plateforme (capacité de charge de 100 livres) à l'intérieur du meuble sur laquelle reposera le tiroir chauffant ;
Il est recommandé d'utiliser du contreplaqué de 3/4 po (1,9 cm) d'épaisseur. La plateforme doit être installée de manière plane et droite. (Aucune disposition n'est prévue pour la mise à niveau du tiroir après l'installation).

REMARQUE



Si le tiroir n'est pas installé de niveau, il risque de s'ouvrir tout seul ou de ne pas se fermer hermétiquement, ce qui limitera sa capacité à réchauffer les aliments.
Le bord supérieur de la plateforme doit être aligné avec la découpe à l'avant du meuble.

Spécifications électriques / environnementales

AVERTISSEMENT

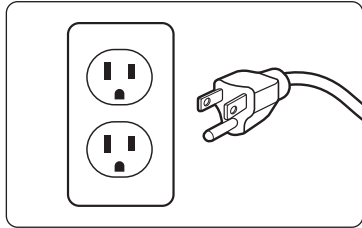
IMPORTANT : Cet appareil est équipé d'une prise électrique de mise à la terre à trois broches pour la protection contre les risques de choc électrique. Il doit être branché sur une prise électrique dédiée, reliée à la terre. Si seule une prise électrique à 2 broches est disponible, il incombe au client de la faire remplacer par une prise électrique à 3 broches dédiée et correctement mise à la terre.

REMARQUE

L'utilisation d'un disjoncteur différentiel de fuite à la terre (DDFT) n'est pas recommandée.

Instructions d'installation

Pour éviter tout risque de choc électrique, vous ne devez en aucun cas :



Prise électrique à 3 broches et prise de courant correspondante avec mise à la terre

- Couper ou retirer la troisième broche (terre) du cordon d'alimentation.
- Utiliser un adaptateur.
- Utiliser un cordon d'alimentation effiloché ou endommagé.
- Immerger le cordon d'alimentation ou la prise dans l'eau ou dans un autre liquide.
- Brancher l'appareil sur une rallonge électrique.

- Température ambiante minimale de fonctionnement : 32 °F (0 °C).
- La prise électrique doit être alimentée par un circuit monophasé mis à la terre et protégé par un disjoncteur ou un fusible à retardement de taille appropriée, et la tension, la fréquence et l'ampérage doivent être corrects.
 - Taille minimale de l'orifice de sortie électrique : 1,5 po² (3,6 cm²)
- La tension, la fréquence et l'ampérage requis sont indiqués sur la plaque signalétique du produit. (Voir la page 2 pour l'emplacement).

Exigences nominales d'alimentation électrique

120 V CA, 60 Hz, 15 Amp, circuit dédié Le tiroir chauffant est fourni avec un cordon d'alimentation de 79 po (200 cm) équipé d'une prise à 3 broches reliée à la terre.

Charge totale connectée 0,5 kW (4 Amp.)

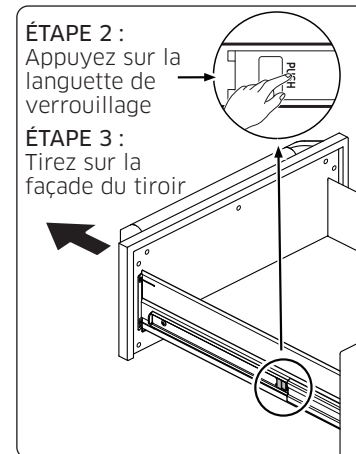
- Les exigences d'alimentation électrique susmentionnées sont fournies à titre indicatif. Respectez toujours les exigences figurant sur l'étiquette de l'appareil.
- Le propriétaire doit veiller à ce que la prise électrique soit installée par un électricien qualifié ; l'installation doit être conforme à la dernière révision du National Electric Code ANSI/NFPA 70, ainsi qu'aux codes et ordonnances locaux.
- Si l'installation électrique fournie ne correspond pas aux spécifications du produit ou n'est pas conforme au NEC ou aux normes locales, faites appel à un électricien agréé pour corriger l'installation électrique avant de procéder à l'installation.
- Installez la prise électrique dans un endroit accessible afin que le tiroir chauffant puisse être facilement débranché pour l'entretien.
- Gardez le cordon électrique à l'écart des surfaces chaudes.

⚠ AVERTISSEMENT

- Afin d'éviter toute blessure causée par la chute de l'appareil vers l'avant lors de l'ouverture du tiroir, fixez le châssis au meuble et à la plateforme support conformément aux instructions.
- Assurez-vous que la prise d'alimentation est débranchée de la prise électrique murale avant l'installation.
- Vérifiez que l'alimentation électrique correspond aux valeurs nominales indiquées sur la plaque signalétique de l'appareil et aux spécifications d'installation avant de poursuivre.

Retrait du tiroir

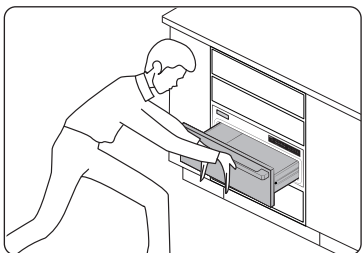
Retirez le tiroir de l'appareil pour faciliter l'accès aux trous de fixation lors de l'installation et pour réduire le poids :



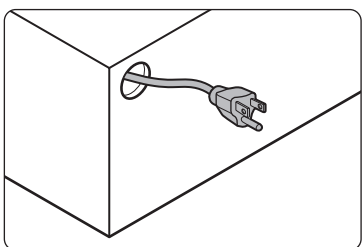
1. Tirez le tiroir jusqu'à ce qu'il soit complètement ouvert.
2. Appuyez sur la languette de verrouillage des deux côtés tout en tirant le tiroir.
3. Pour plus de sécurité, poussez les deux glissières du tiroir dans l'ouverture du tiroir.

Instructions d'installation

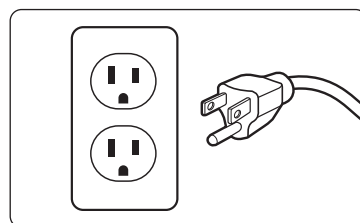
Installation du châssis



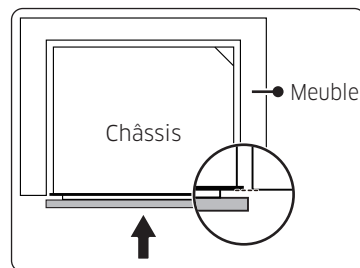
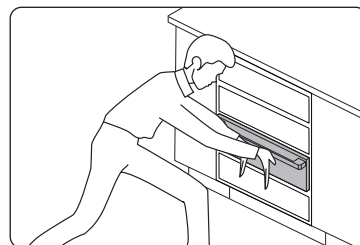
1. Saisissez le châssis du tiroir chauffant sur les côtés opposés et faites-le glisser partiellement dans l'ouverture du meuble.
Maintenez temporairement le châssis en place afin d'éviter qu'il bascule ou chute.



2. À partir d'un meuble adjacent, passez la main derrière le tiroir et tirez le cordon d'alimentation jusqu'à ce que la prise se trouve à côté de la prise murale. Ne branchez pas le cordon d'alimentation pour le moment.

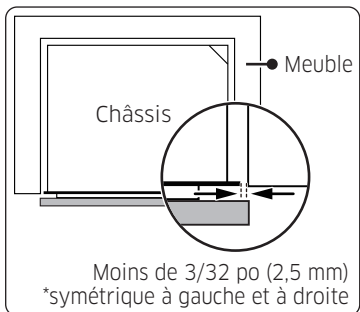
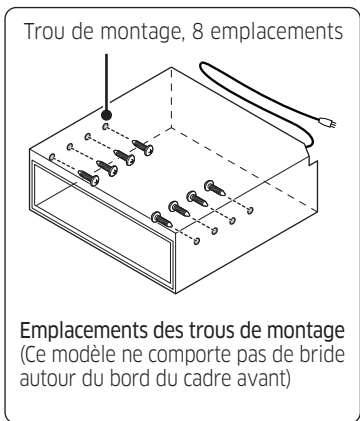


3. Après avoir positionné le cordon d'alimentation et la prise, faites glisser le châssis complètement dans le meuble jusqu'à ce que le cadre avant affleure la façade du meuble.



REMARQUE

Le cadre avant affleure la façade du meuble.

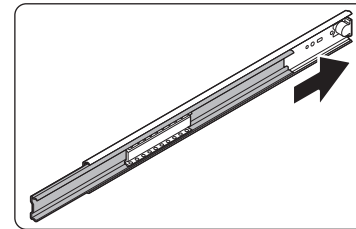


4. Utilisez les vis fournies pour fixer le châssis du tiroir chauffant au meuble et à la plateforme support. Démontez d'abord le tiroir du châssis, puis insérez les vis dans les trous de montage et serrez-les pour fixer le châssis en place. Vous pouvez percer des avant-trous avant d'installer les vis de montage. Lorsque vous avez terminé, insérez le tiroir dans le châssis.

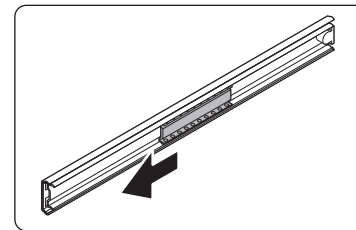
REMARQUE

Il est conseillé d'empêcher le produit d'adopter une position unilatérale dans le meuble en utilisant une entretoise temporaire (comme une règle en acier, etc.) selon la taille du meuble et si vous fixez le produit à l'aide d'un trou de montage, veuillez le fixer à gauche et à droite.

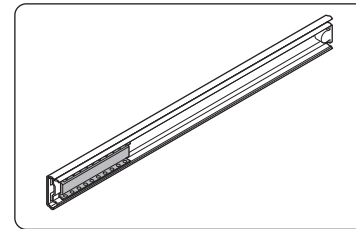
Réinstallation du tiroir



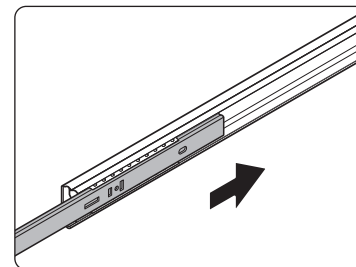
1. Poussez le rail jusqu'à ce qu'il atteigne l'extrémité du châssis.



2. Tirez le dispositif de retenue jusqu'à l'avant du rail.



3. Insérez à peine un côté du rail du tiroir dans le rail du châssis.
4. Répétez l'opération de l'autre côté.
5. Ouvrez et fermez doucement le tiroir pour vérifier qu'il est correctement installé.



Instructions d'installation

Tableau de commande



1. Branchez la prise d'alimentation dans la prise murale.
2. Ouvrez le tiroir et appuyez sur la touche **Power** (⏻) du panneau de commande.
3. Appuyez l'une après l'autre sur les touches **Proof**, **Low**, **Med** et **High**. Lorsque vous appuyez sur une touche, le voyant correspondant situé juste au-dessus de la touche doit s'allumer. Laissez le panneau de commande réglé sur **High**.
4. Appuyez sur la touche **Hour Select** (🕒). Le voyant **1 Hour** doit s'allumer. Appuyez à nouveau brièvement sur la touche **Hour Select** (🕒) trois (3) fois. Chaque fois que vous appuyez sur la touche **Hour Select** (🕒), les voyants **2 Hour**, **3 Hour** et **4 Hour** doivent s'allumer. Tous les voyants doivent s'allumer après le troisième appui sur la touche **Hour Select** (🕒).
5. Appuyez sur la touche **Continuous** (∞). Le voyant situé au-dessus de la touche doit s'allumer et les voyants **1**, **2**, **3** et **4 Hour** doivent s'éteindre.
6. Après la sélection de l'heure, le tiroir chauffant devrait commencer à chauffer. Vous devriez constater que l'intérieur du tiroir commence à chauffer au bout de 5 à 10 minutes.
7. Lorsque vous êtes certain que l'élément chauffant fonctionne, appuyez sur la touche **Power** (⏻).

REMARQUE

Si le tiroir chauffant ne fonctionne pas correctement, suivez les étapes de dépannage suivantes :

- Vérifier que le disjoncteur correspondant à la prise électrique est sous tension et qu'il n'est pas déclenché. Vérifiez que la prise d'alimentation est branchée.
- Répétez les tests ci-dessus.
- Si l'appareil ne fonctionne toujours pas, appelez le service d'assistance client de Dacor au 833-353-5483 (USA), 844-509-4659 (Canada) pour obtenir de l'aide.
- N'essayez pas de réparer l'appareil vous-même. Veillez à vous munir du numéro de modèle et du numéro de série lors de votre appel. Consultez la page 2 pour l'emplacement du numéro de modèle/numéro de série.

Dacor n'est pas responsable du coût de la correction des problèmes causés par une installation défectueuse.

Liste de contrôle de l'installation

AVERTISSEMENT

- Pour garantir une installation sûre et correcte, l'installateur doit remplir la liste de contrôle suivante afin de s'assurer qu'aucune partie de l'installation n'a été négligée.
- L'installation correcte est la responsabilité du propriétaire de la maison. L'installation correcte de votre tiroir chauffant est d'une importance primordiale.

- La plateforme support a été installée conformément aux instructions fournies à la page 6.
- Un électricien agréé a installé une prise de courant à trois broches dédiée à l'appareil et correctement mise à la terre. Consultez la page 6.
- Le châssis a été correctement fixé sur les côtés du meuble. Consultez la page 8.
- Le tiroir a été correctement installé. Consultez la page 9.
- Le bon fonctionnement de l'appareil a été vérifié ?
- La garantie a été activée en ligne ou la carte de garantie a été dûment remplie et renvoyée par courrier ?
- Conservez ces instructions pour vous y référer ultérieurement.

dacor



DG68-01562A-00

Dacor • Numéro de téléphone : 833-353-5483 (États-Unis), 844-509-4659 (Canada) • www.dacor.com