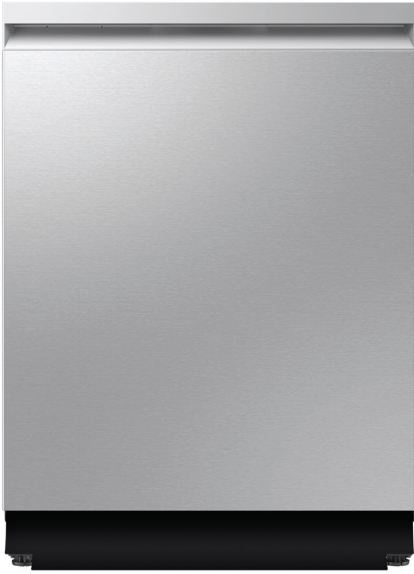




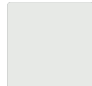
DW90F89TOU

SAMSUNG

38 dBA Bespoke Smart Dishwasher with 3rd Rack Washing System



Available Colors

-  **Fingerprint Resistant
Stainless Steel**
DW90F89TOUSR
-  **Fingerprint Resistant
Matte Black Steel**
DW90F89TOUMT
-  **White Glass**
DW90F89TOU12

Features

- 3rd Rack Washing System
- Whisper Quiet 38 dBA Noise Level
- StormWash+™ System
- Smart Dry with AutoRelease™ Door
- AI Wash
- 2.25" LCD User Interface
- ENERGY STAR® Most Efficient 2025
- Stainless Steel Interior Tub
- Fingerprint Resistant Stainless Finish

Convenience

- Wi-Fi Connectivity with SmartThings App
- Smooth Glide Rails
- Cookware Flex Rack
- Digital Leak Sensor
- Stemware Zone
- Silverware Basket
- 16 Place Settings
- 3-Step Height Adjuster
- Adjustable Tines

Additional Specifications

10 Wash Cycles:

AI Wash, Normal, Heavy, Delicate, Express 60, Self Clean, PreBlast, Pots & Pans, Plastic, Babycare

7 Options:

StormWash+™, Sanitize (NSF Certified), Child Lock, Smart Dry (L/M/H), Optimal Scheduling, Smart Control, AutoRelease Door

Rating



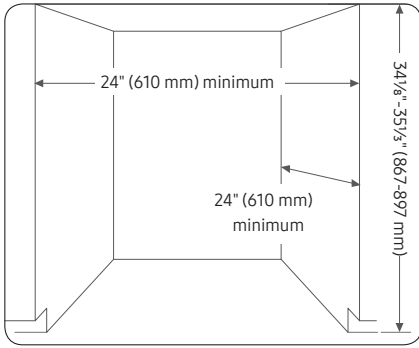
ENERGY STAR® Most Efficient
225 kWh/yr

DW90F89TOU

SAMSUNG

38 dBA Bespoke Smart Dishwasher with 3rd Rack Washing System

Dimensions and Installation Diagrams



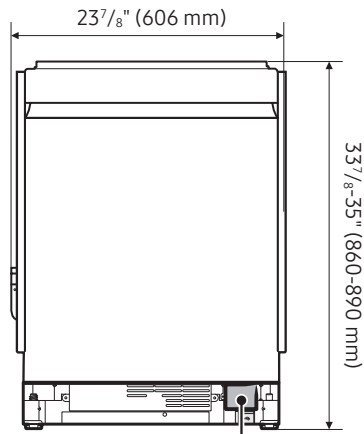
NOTE

This dishwasher is designed to be enclosed on the top and on both sides by a standard residential kitchen cabinet unit.

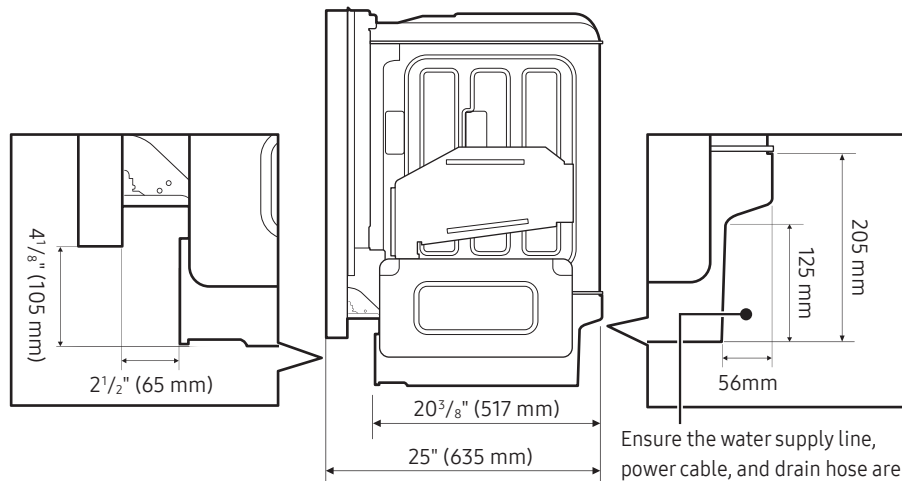
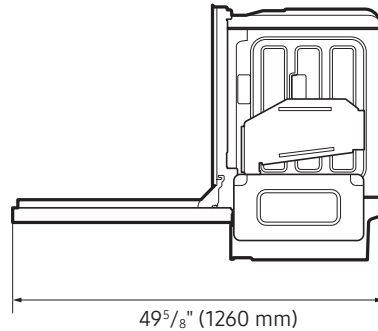
The installation cabinet must be clean and free of any obstructions.

The cabinet must be at least 24 inches wide, 24 inches deep, and 34 1/8 inches high.

For the front door of the dishwasher to be flush with the leading edge of the counter top, the counter top must be at least 25 inches deep.



Junction box



Ensure the water supply line, power cable, and drain hose are arranged within the designated space behind the dishwasher.

Dimensions

Product Dimensions & Weight (WxHxD)

Dimensions: 23 7/8" x 33 7/8" to 35" x 25"

Weight: 88.2 lbs (94.8 lbs White Glass)

Shipping Dimensions & Weight (WxHxD)

Dimensions: 26" x 34 7/8" x 29 3/4"

Weight: 94.8 lbs (101.4 lbs White Glass)

Warranty

One (1) Year Parts and Labor

Five (5) Years, Printed Circuit Board, Racking and Stainless Steel Door Liner & Tub for Leakage (Parts Only)

UPC

Standard Finishes	Model #	UPC Code
Fingerprint Resistant Stainless Steel	DW90F89TOUSR	887276931487
Fingerprint Resistant Matte Black Steel	DW90F89TOUMT	887276931470
Bespoke Finishes		
White Glass	DW90F89TOU12	887276931463