

Dishwasher

Installation manual

DW90F89*****



Scan this with your smartphone

Scan the QR code* to view our helpful installation videos.

* Requires reader to be installed on your smartphone.

SAMSUNG

Contents

Safety instructions	3
Important safety symbols	3
California Proposition 65 Warning	4
Important safety instructions	4
Before using your dishwasher	5
Preparing the installation	6
Required parts and tools	6
Dimensions	9
Installation requirements	10
Unpacking and inspecting the dishwasher	11
Installation	13
Preparing the cabinet	13
Preparing the dishwasher for installation	15
Connecting the power cable	16
Placing the dishwasher into the cabinet	18
Connecting the drain hose	19
Leveling the dishwasher	21
Securing the dishwasher	23
Attaching the kick plate	25
Mounting the Bespoke panel (applicable models only)	26
Testing the dishwasher	29
Appendix	31
Specifications	31

Safety instructions

Throughout this manual, you will see Warning and Caution notes. The warnings, cautions, and the important safety instructions that follow do not cover all possible conditions and situations that may occur. It is your responsibility to use common sense, caution, and care when installing, maintaining, and operating the dishwasher. Samsung is not liable for damages resulting from improper use.

Important safety symbols

What the icons and signs in this installation guide mean:

 **WARNING**

Hazards or unsafe practices that may result in **severe personal injury or death**.

 **CAUTION**

Hazards or unsafe practices that may result in **personal injury or property damage**.

 **CAUTION**

To reduce the risk of fire, explosion, electric shock, or personal injury when using the dishwasher, follow these basic safety precautions:

 **NOTE**

Indicates that a risk of personal injury or material damage exists.

These warning signs are here to prevent injury to you and others.

Please follow them explicitly.

After reading this section, keep it in a safe place for future reference.



These installation instructions are intended for use by qualified installers.

If you are having problems installing this dishwasher

U.S.A

Please call: 1-800-SAMSUNG (726-7864)

1-844-SAM-PAYS (726-7297)

for assistance: www.samsung.com/us/support

CANADA

Please call: 1-800-SAMSUNG (726-7864)

for assistance: www.samsung.com/ca/support (English)

www.samsung.com/ca_fr/support (French)

SAVE THESE INSTRUCTIONS

Safety instructions

California Proposition 65 Warning

WARNING

Cancer and Reproductive Harm - www.P65Warnings.ca.gov

Important safety instructions

Read all instructions before using the appliance.

Install and store the dishwasher inside, away from exposure to weather.

CAUTION

- Do not install the dishwasher near electrical components. Keep the dishwasher away from open flames.
- Do not install the dishwasher on a carpet as this is a fire hazard.
- Do not install the dishwasher in a location where the water may freeze (where the temperature falls below 32 °F (0 °C)). Frozen water in the hoses or pipes may damage the dishwasher.
- As with all equipment using electricity, water, and moving parts, potential hazards exist. To safely operate this appliance, become familiar with its operation and exercise care when using it.

The dishwasher must be properly grounded. Never connect it to an ungrounded outlet.

Prior to removal of original dishwasher and the installation of your new unit, make sure to switch off your circuit breaker. Do not connect the dishwasher until you have completed the installation. Connecting the power cable is the last step when installing the dishwasher.

All wiring and grounding must be done in accordance with the electrical code applicable to the region.

GROUNDING INSTRUCTIONS

For a permanently connected appliance:

This appliance must be connected to grounded metal, a permanent wiring system, or an equipment-grounding conductor must be run with the circuit conductors and connected to the equipment-grounding terminal or lead on the appliance.

The dishwasher is very heavy. Do not attempt to move or carry a dishwasher alone. Two or more people are needed to move a dishwasher and avoid potential injuries.

CAUTION

- If the power cable is damaged, it must be replaced by the manufacturer, a service agent or similarly qualified person in order to avoid a hazard.
- Do not touch the power cable with wet hands.
- Do not connect another appliance to the same power outlet as the dishwasher.

SAVE THESE INSTRUCTIONS

Make sure to use a new water supply line. Old lines are susceptible to breakage because they become hardened and may cause property damage due to a water leakage.

The dishwasher must be connected to a hot water supply with a temperature between 120 °F (49 °C) ~ 149 °F (65 °C). This temperature range provides the best washing result and shortest cycle time. Temperature should not exceed 149 °F (65 °C) to prevent damage to dishes.

Ensure that the water supplied to the dishwasher does not freeze. Frozen water can damage the hoses, valves, pump, or other components.

Certified residential dishwashers are not intended for licensed food establishments. (NSF/ANSI Standard 184 for Residential Dishwashers)

For a full list of safety information, please refer to the User Manual.

Before using your dishwasher

WARNING



Tip-Over Hazard

- Do not use the dishwasher until it is correctly installed.
- Do not push down on the dishwasher door when it is open.
- Do not place excessive weight on the dishwasher door when it is open.



Electric Shock Hazard

Failure to follow these instructions can result in death, fire, or electric shock:

- Electrically ground the dishwasher.
- Connect the ground wire to the green ground connector in the junction box.
- Do not use an extension cord.

To reduce the risk of electric shock, fire, or injury to persons, the installer must ensure that the dishwasher is completely enclosed at the time of installation.

SAVE THESE INSTRUCTIONS

Preparing the installation

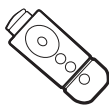
Ensure all necessary preparations are complete before starting the installation process.

Required parts and tools

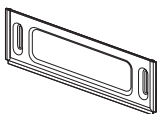
Before beginning the installation, gather all the necessary tools and parts to save time and simplify the process.

Provided parts

The following parts are provided with the dishwasher. Verify that all parts are present when unpacking.



Mounting bracket (2)



Kick plate



Screw (4) – Mounting bracket



Protective sticker



Plastic cap (4)



Black screw (2) – Kick plate



Screw (2) – Bespoke door



Plastic cap (2) – Bespoke door



Door opening tool

Parts to be purchased separately

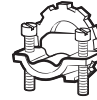
The following parts are not included in the dishwasher and must be purchased separately.



Power cable



Twist-on wire connector (3)



Strain relief



Electrical tape & Standard duct tape



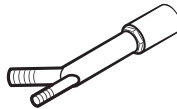
Hot water supply hose



$\frac{3}{4}$ " 90° Fitting



Tube fittings



Air gap



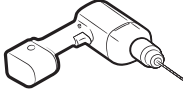
Hose clamp

Recommendations for unprovided parts

Hot water supply hose	<ul style="list-style-type: none"> Outer diameter: $\frac{3}{8}$" minimum Material: Braided stainless-steel or copper with a compression fitting <p>⚠ WARNING Do not use plastic water supply hoses, which can deteriorate and cause leaks.</p>
90° fitting	<ul style="list-style-type: none"> One end with $\frac{3}{4}$" N.P.T. external pipe threads, and the other end must fit your hot water supply hose (copper with compression fittings or a stainless-steel braided hose).
Power cable	<ul style="list-style-type: none"> Jacketed 12-2 cable with ground. <p>📄 NOTE Some local codes may require a BX-style metal jacket for the power cable.</p>

Preparing the installation

Required tools



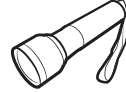
Electric drill



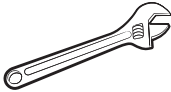
Safety glasses



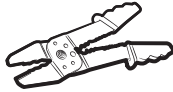
Gloves



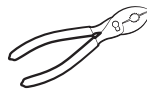
Flashlight



Adjustable wrench



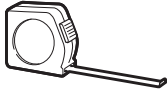
Wire stripper



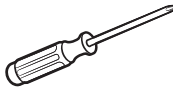
Pliers



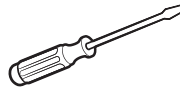
Nipper



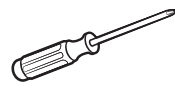
Tape measure



Phillips screwdriver



Flat-head screwdriver



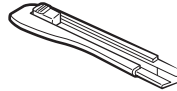
Torx T20



Pencil



Tubing cutter



Cutting knife



Hole saw



Level



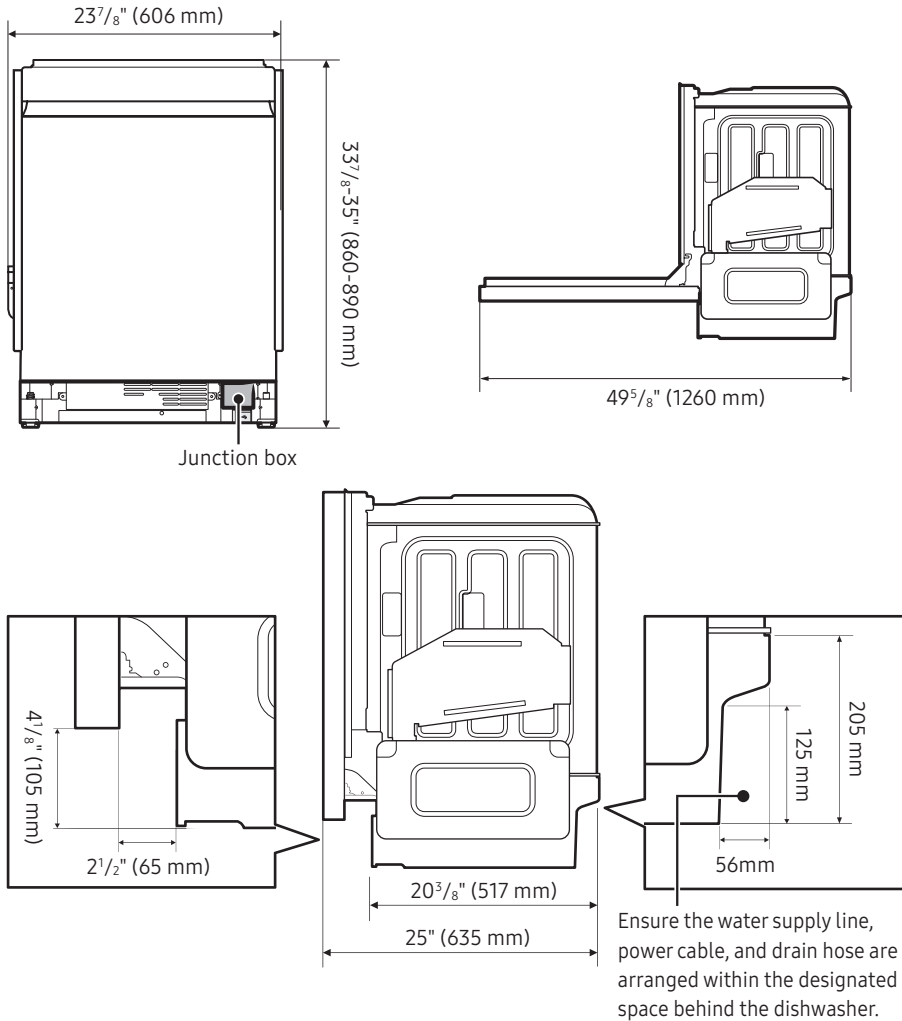
Hex L-wrench



Suction cup

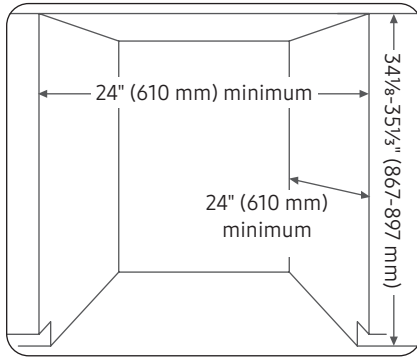
Dimensions

Product



Preparing the installation

Cabinet



Installation requirements

Compatibility check

If you are replacing an old dishwasher, you must check the existing dishwasher connections for compatibility with the new dishwasher. Replace the existing connections if necessary.

Electrical

- **United States:** Install according to the National Electric Code, as well as state, municipal, or local codes.
- **Canada:** Install according to the Canadian Electric Code C22.1 (latest edition), as well as the provincial, municipal, or local codes.
- **For direct cable connections:**
 - Use flexible, armored, or non-metallic sheathed copper wire with a ground that meets the wiring requirements of your local codes and ordinances.

WARNING

- Do NOT use an extension cord.
- Use only the power cord that comes with the dishwasher.
- Do NOT connect the ground wire to plastic plumbing, gas lines, or hot water pipes.
- Improperly connected grounding conductors may cause electric shock.

Water supply

- **Pressure:** Ensure the hot water supply line pressure is between 20–120 psi (140–830 kPa).
- **Water temperature:** Set the water heater to supply water between 120 °F (49 °C) and 149 °F (65 °C)
 - This range provides the best washing results and shortens cycle time.
 - The water temperature should not exceed 149 °F (65 °C) to avoid damaging the dishes.

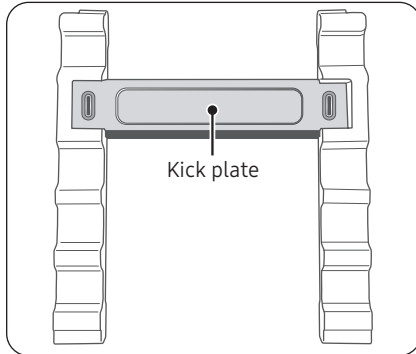
Location

Select a location that meets the following conditions.

- The location must have a solid floor that can support the weight of the dishwasher.
- The location must be near a sink with easy access to the water supply, drain system, and electrical outlet.
 - For proper draining, the dishwasher should be installed within 9.8 feet (3 m) from the sink.
- The location must let you load dishes into the dishwasher easily.
- The location must have sufficient space for the dishwasher door to open easily and provide enough space between the dishwasher and the cabinet sides. (at least 0.1 inch (2 mm)).
 - If the dishwasher is installed in a corner, ensure that the side of the dishwasher is more than 2 inches (50 mm) from the wall or cabinet to its right or left.
- The rear wall must be free of obstructions.
- Make sure the cabinet for the dishwasher is secured to the floor. If the cabinet is not secured, it may increase noise when the dishwasher is operating.

Unpacking and inspecting the dishwasher

Unpack the dishwasher in a clear, open area without obstructions around or above. Keep all packaging materials until installation is complete and the dishwasher is fully operational to ensure all components are removed before disposal.



1. Position the carton upright.
2. Cut the straps securing the packaging.
3. Unpack the product and set aside the straps and packing materials.
4. Locate the kick plate attached to the packaging material and set it aside.
5. Inspect the dishwasher for any damage.
 - Refer to the **Inspection list** section for details.
6. Lift the dishwasher from the base carton tray and place it on the floor.

⚠ CAUTION

- Always lift the dishwasher to move it. Sliding the dishwasher can damage the dishwasher's feet and the surface underneath.
- Do not remove the sound-absorbent padding around the exterior of the dishwasher tub.
- Keep the internal packing in place until the installation is complete to protect internal components.

Preparing the installation

Inspection list

Mechanical	<ul style="list-style-type: none">• Verify that the plastic base assembly is intact.• Verify that the leveling feet are in place and adjustable for leveling dishwasher.• Verify that all visible components on the bottom are intact and secure.• Test the door latch and hinges and ensure the door is properly secured.
Plumbing	<ul style="list-style-type: none">• Inspect the water inlet valve on the back of the dishwasher. (At the bottom right side.) Ensure the water inlet valve is secure, the threads are smooth, and the area is clean.• Inspect the drain hose for holes or deformities that could cause leaks.
Electrical	<ul style="list-style-type: none">• Verify that the cover of the junction box, at the front bottom right corner of the dishwasher, is secure.• Verify that the junction box is not damaged and secured.
Appearance	<ul style="list-style-type: none">• Inspect for any dents or scratches on the front panel.• Inspect the door edges for roughness or cracks.• Verify that the control panel is clear and unscratched.
Parts	<ul style="list-style-type: none">• Verify that all parts listed in the Required parts and tools are present without any damages.

Installation

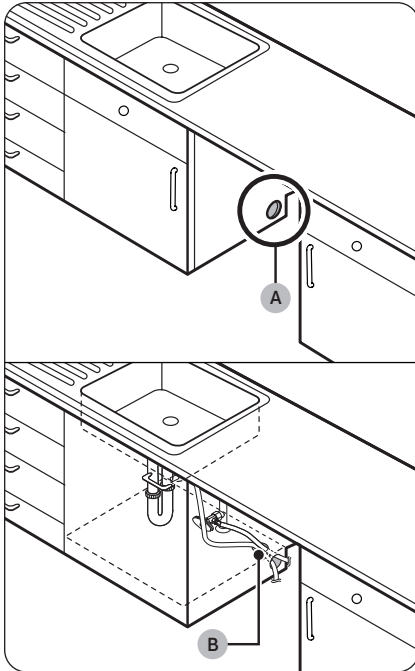
Ensure that you or your installer carefully follow these instructions so the dishwasher functions properly and to prevent any risk of injury during use.

⚠ CAUTION

- Ensure that the circuit breaker and water supply valve are turned off.
- Fully retract the leveling feet before moving the dishwasher to prevent damage.

Preparing the cabinet

If you install the dishwasher in a new location, follow these instructions before installing the dishwasher.



1. Using a 2¹/₂" hole saw, drill a **hole (A)** into the side of the cabinet that holds the sink.

📖 NOTE

You may need to make an extra hole according to the location of the electrical outlet.

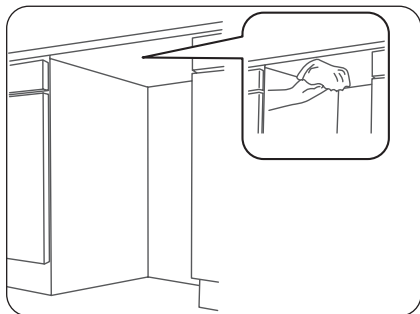
2. If the base inside the sink cabinet is raised above the kitchen floor and is higher than the connections on the dishwasher, make another **hole (B)** in the base inside the cabinet.

⚠ CAUTION

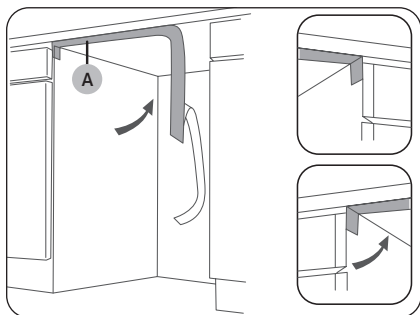
Before inserting the drain hose through the hole, smooth the edges of the hole to prevent damage to the drain hose. Sharp edges may damage the drain hose and cause leaks.

- For metal cabinets, cover the sharp edges with insulation tape or duct tape.

Installation



3. Clean the bottom of the countertop.



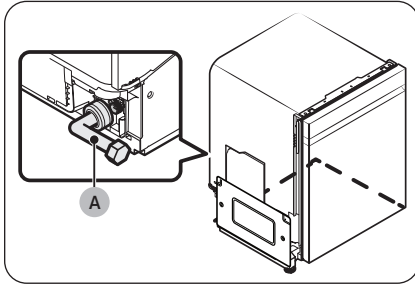
4. Attach the **protective sticker (A)**.

- The protective sticker prevents damage when sliding the dishwasher in and out of the cabinet during installation.
- The length of the protective sticker is 26 inches (660 mm).

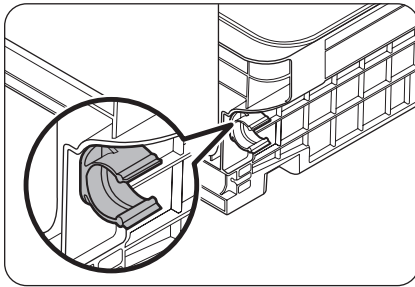
Preparing the dishwasher for installation

⚠ CAUTION

- Ensure that the circuit breaker and water supply valve are turned off.
- Fully retract the leveling feet before moving the dishwasher to prevent damage.



1. Connect the 3/4" 90° fitting (A) to the water inlet valve.

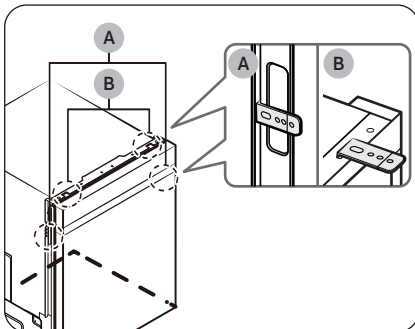


2. Detach the drain hose secured to the back of the dishwasher.
 - Ensure that no kinks or sharp bends might restrict water flow.

📖 NOTE

You can use the drain hose holder to secure the drain hose if it needs to be directed to the right side of the dishwasher.

- The drain hose holder can be detached and repositioned in 3 different locations.
- To reposition, gently squeeze and turn the holder left to release it, pull it out, then insert it into the desired position and turn it right to lock it in place.



3. Attach the two mounting brackets on the top or sides of the dishwasher.
 - **A:** If the countertop is made of a material that cannot be drilled, attach one bracket on each side (left and right).
 - **B:** If the countertop is made of a material that can be drilled, attach the brackets to the top.

Installation

Connecting the power cable

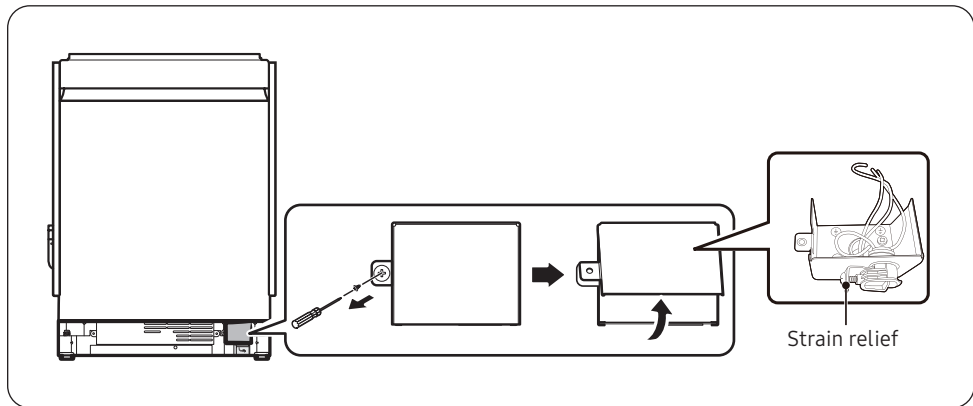
⚠ WARNING

Electrical Shock Hazard

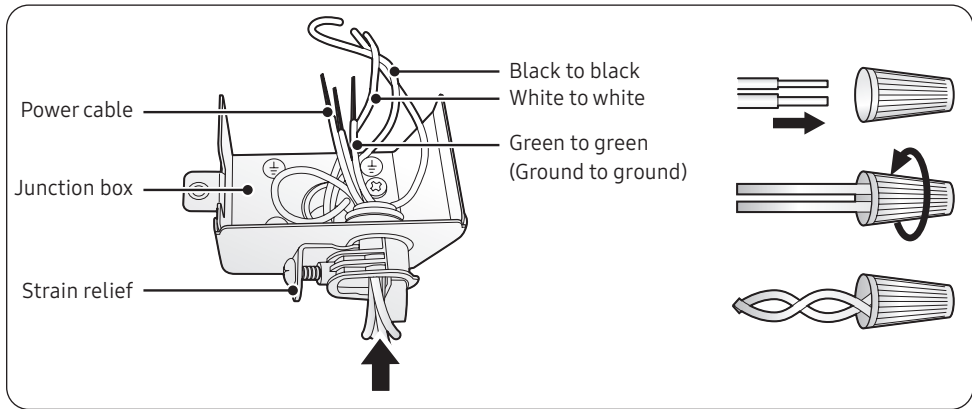
- To avoid electrical shock, do not work on an energized circuit. Doing so could result in serious injury or death. Only qualified electricians should perform electrical work. Do not attempt any work on the dishwasher electric supply circuit until you are certain the circuit is de-energized.

Fire Hazard

- To avoid a fire hazard, make sure electrical work is properly installed.
- Only qualified electricians should perform electrical work.



1. Remove the junction box cover.
 - Unfasten the screw on the left side of the junction box.
 - There are three wires in the junction box, including the grounding line.
2. Install a strain relief.

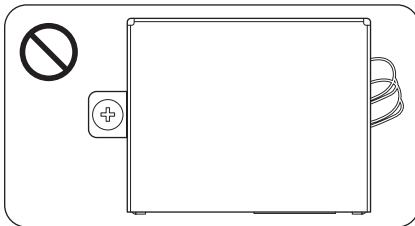


3. Insert the power cable through the strain relief and into the junction box securely.
4. Connect the three wires using twist-on wire connectors.
 - First, match the wires of the same color. Then, insert each wire pair into a twist-on connector and twist clockwise to secure.

NOTE

The twist-on wire should not be twisted counterclockwise.

5. Recheck that each wire is securely connected to its matching color (white to white, black to black, green to green).
6. Arrange all the wires into the junction box, and then fasten the cover.



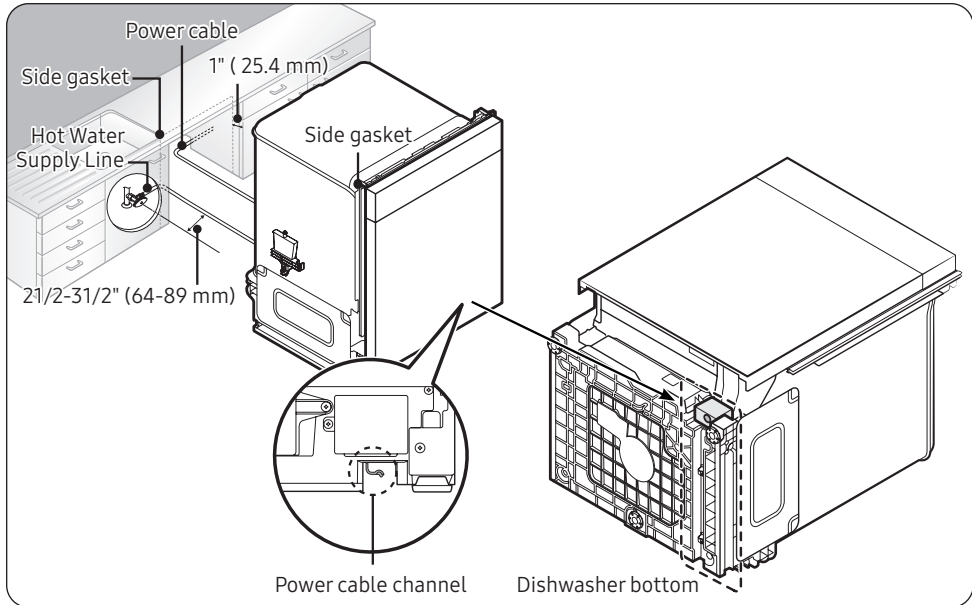
CAUTION

Ensure the wires are not pinched and sticking out of the junction box.

Installation

Placing the dishwasher into the cabinet

1. Place the dishwasher in front of the cabinet.
2. Connect the hot water supply hose to the 90° fitting.

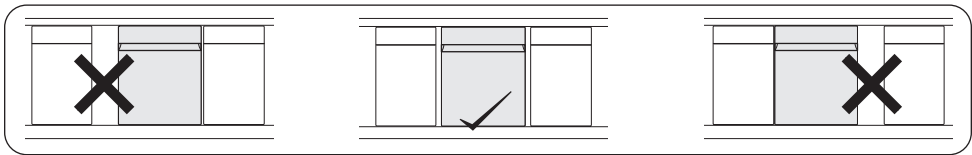


3. Arrange the power cable, connected to the junction box, to the back of the dishwasher.
 - Use the hooks in the power cable channel, at the bottom of the dishwasher, to arrange the power cable.
4. Pull the power plug, water supply hose, and drain hose through the hole you have previously made in the cabinet wall.
5. Slide the dishwasher carefully into the cabinet.
 - To avoid kinking, bending, or pinching the water supply line, drain hose, or power cable, have a second person pull the excess length of each as you slide the dishwasher in.
 - Ensure both side gaskets are inserted seamlessly, $\frac{13}{16}$ to 1 inch inward from the front edge of the kitchen cabinet, as improper placement may increase noise during dishwasher operation.

⚠ CAUTION

Ensure the water supply line, drain hose, or power cable is not kinked, bent, or pinched.

6. Connect the water supply hose to a hot water supply valve under your sink.
 - Wrap Teflon tape around every connection to prevent water leaks.
7. Connect the drain hose to your sink.
 - Refer to the **Connecting the drain hose** section for details.



⚠ CAUTION

After putting the dishwasher inside the cabinet, check the following.

- Ensure the door opens and closes freely with no interruption to the cabinet.
- Ensure the dishwasher is positioned in the center.

Connecting the drain hose

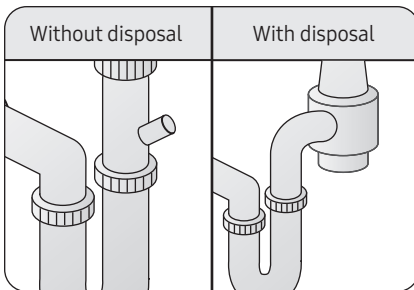
There are various ways to connect the drain hose for draining. Ensure the connection follows your local water pipe installation regulations.

⚠ CAUTION

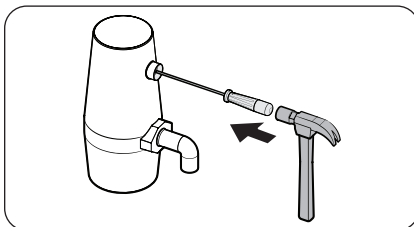
Do not extend the drain hose over 3 m.

📖 NOTE

Before connecting the drain hose to the sink, ensure there is no foreign matter inside the hose.



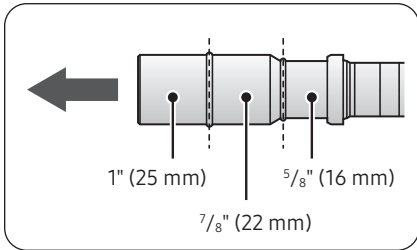
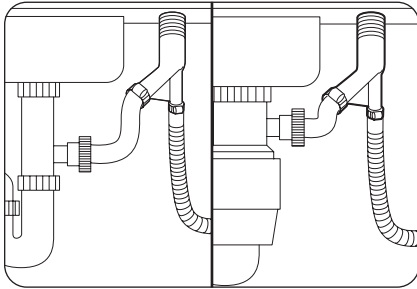
1. Check under your sink to see if you have a garbage disposal.



📖 NOTE

Knock out the plug in the garbage disposal connector before connecting the drain hose.

Installation



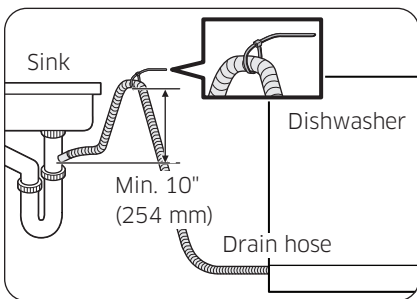
2. Check if the air gap installation is required.
 - Install the air gap. Then, use a hose to connect the air gap outlet to the sink drain or garbage disposal.
 - If you do not need an air gap installation, loop the drain hose. (Refer to the **Looping the drain hose** section for details.)

3. Use a hose clamp to connect the drain hose to the air gap inlet, sink drain, or garbage disposal.
 - The drain hose end has three different diameters to fit various sizes, and you can cut off any parts that are not needed.
 - If the drain hose end does not fit the connection point, purchase a suitable adaptor from a plumbing or hardware supply store.

⚠ CAUTION

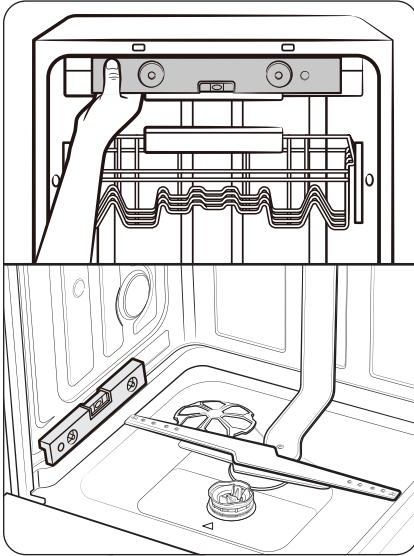
- You must use a hose clamp. Failure to do so may cause water leakage.
- Be careful when cutting off the end of the drain hose as there is a risk of injury.
- Do not cut the ribbed area of the drain hose.

Looping the drain hose

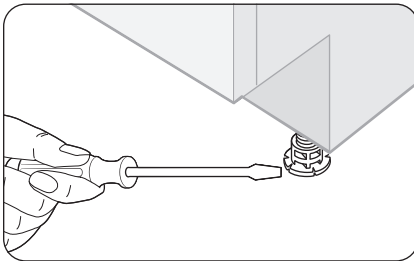


To prevent backflow, secure the drain hose to the side or back wall of the cabinet using cable ties or other fixtures. Make sure the drain hose height is at least 10 inches (254 mm) from the sink connector.

Leveling the dishwasher



1. Use the level to check if the dishwasher is level side to side and front to back.
 - Use the front leveling feet to level the dishwasher side to side.
 - Use the rear leveling foot to level the dishwasher front to back.

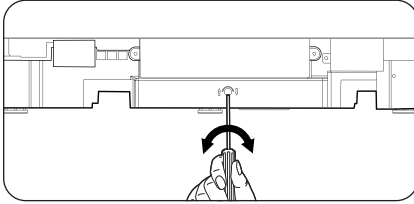


2. Use a flat-head screwdriver to adjust the front height.
 - To lower the height, turn the leveling foot clockwise.
 - To raise the height, turn the leveling foot counterclockwise.

NOTE

You can adjust the leveling feet by a max of $1\frac{1}{8}$ inch. However, leveling up to the max height is not recommended.

Installation



3. To adjust the rear height, insert the Torx T20 screwdriver in the bottom center of the dishwasher.
 - To lower the height, turn the screwdriver clockwise.
 - To raise the height, turn the screwdriver counterclockwise.

NOTE

To prevent leaks from the door, make sure that the front of the dishwasher is not lower than the back.

CAUTION

- If the product is installed unlevelled or without any of the leveling feet, the door may not close completely, causing a leak of steam or water.
- When adjusting the height of the dishwasher, make sure the top gasket is inserted seamlessly underneath the top of the kitchen cabinet. Otherwise, it may increase noise when the dishwasher is operating.

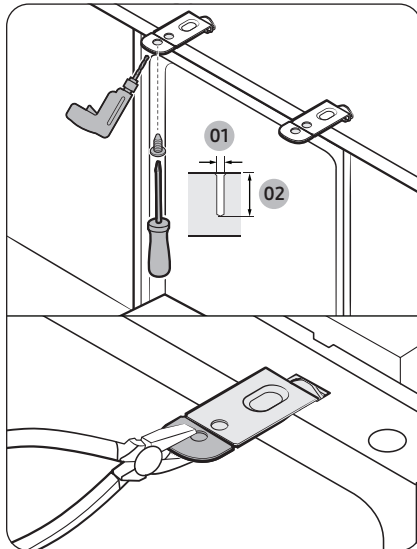
Securing the dishwasher

Secure the dishwasher to the countertop or adjacent cabinet walls for added stability and safety.

⚠ CAUTION

Before securing the dishwasher, put a large towel on the bottom of the dishwasher (covering the sump) to prevent wood shavings or screws from falling into the dishwasher sump.

To the countertop

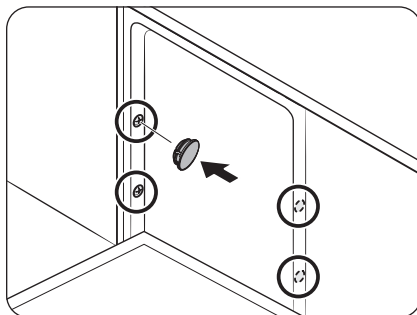


01 2 mm
02 12 mm

1. Carefully drill 2 screw holes into the bottom of the countertop from beneath, one for each mounting bracket.
 - Make sure the hole you drill is smaller than the diameter of the screw.
2. Insert the provided screws into the hole of the brackets, and then tighten them to secure the dishwasher to the countertop.

📖 NOTE

If the provided brackets are too long, cut them down using pliers.



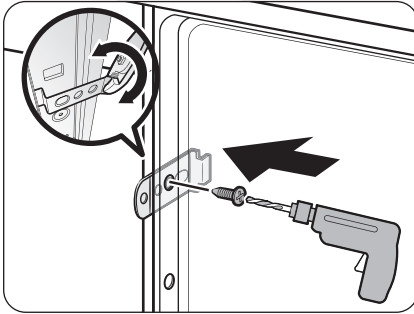
3. Cover the four holes with the provided plastic caps.

⚠ CAUTION

- If the plastic caps are not assembled, water may leak and cause a fire or electric shock.
- After installing the dishwasher inside the cabinet, check if the door opens and closes freely with no interruption with the cabinet.

Installation

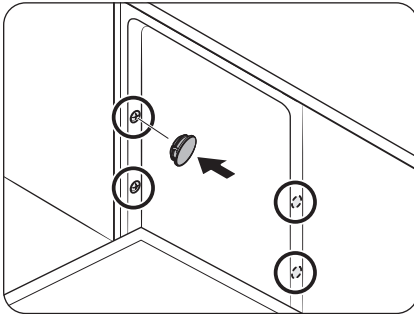
To the sides



1. Drill a hole into both sides of the kitchen cabinet, totaling 2 screw holes.
 - Make sure the hole you drill is smaller than the diameter of the screw.
2. Tighten the provided screws into the holes to secure the dishwasher to the cabinet.

NOTE

If the provided brackets are too long, cut them down using pliers.

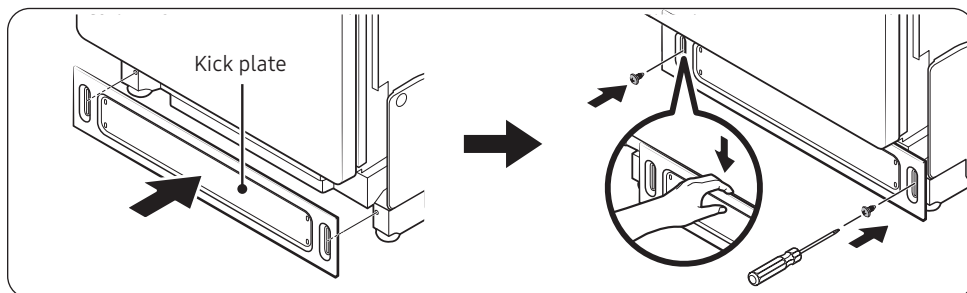


3. Cover the four holes with the provided plastic caps.

CAUTION

- If the plastic caps are not assembled, water may leak and cause a fire or electric shock.
- After installing the dishwasher inside the cabinet, check if the door opens and closes freely with no interruption with the cabinet.

Attaching the kick plate



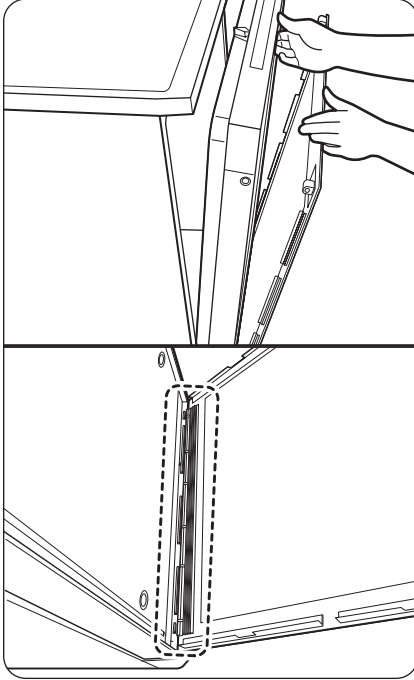
1. Keep the rubber skirt of the door taut.
2. Push the kick plate from the front of the rubber skirt inward, underneath the dishwasher door.
 - Ensure the gaskets of the kick plate are flush with the floor and the side walls.
3. Tighten the screws to secure the kick plate.

CAUTION

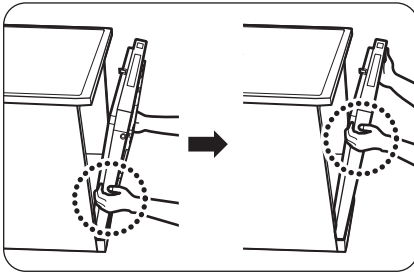
Make sure the kick plate does not interfere with the dishwasher door's operation. Open the door to 90° and ensure it moves freely without noise.

Installation

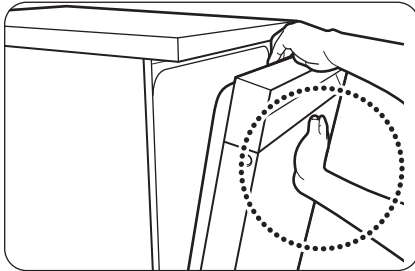
Mounting the Bespoke panel (applicable models only)



1. Open the door and fit the custom panel in the front bottom of the door.



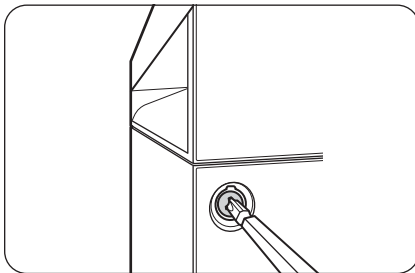
2. While holding the door and the custom panel with both hands, press the panel evenly from bottom to top to lock into the dishwasher.



3. When both sides of the panel lock into place, press the top center of the custom panel to secure it to the top of the door.

 **NOTE**

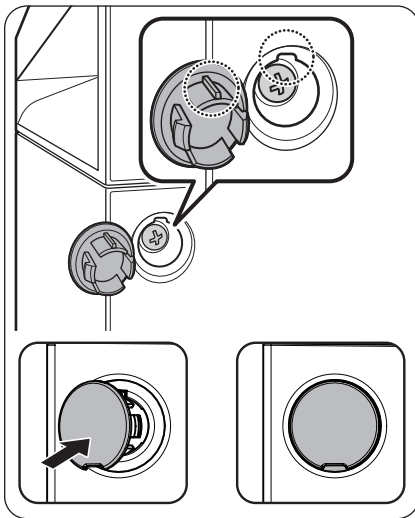
- Make sure that the custom panel fits in the dishwasher properly.
- The panel is properly attached if the gap between the dishwasher and the panel is less than 0.1 inch (2 mm). If the gap is over 0.1 inch (2 mm), reattach the panel.



4. Unpack the provided plastic caps and screws (two for each).
5. Tighten the screws on both sides of the dishwasher.

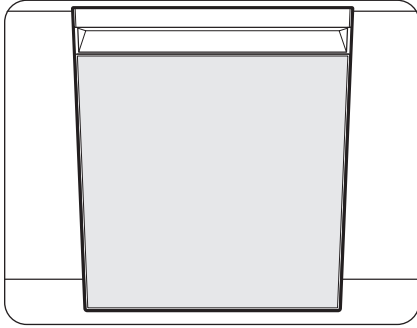
 **NOTE**

When tightening the screw on each side, tighten evenly to prevent the panel from shifting to either side.



6. Insert the caps on both sides.
 - Make sure the rib of the cap fits in the hole of the dishwasher in the right direction.

Installation



7. This is the completion of mounting the custom panel.

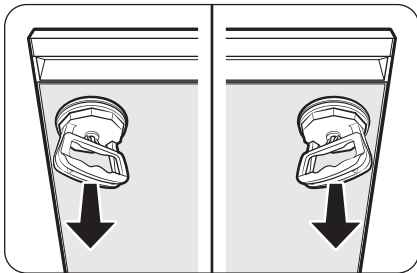
NOTE

After inserting the panel, check it with bare eyes. If the panel is not correctly inserted, or the gaps are not even in all four corners, reinstall the panel. (Refer to the **Reinstalling the custom panel** section for details.)

CAUTION

Use only the genuine Samsung Bespoke panel (available in authorized Samsung retailers). Using a third-party panel is not allowed, and the user is fully responsible for any problems caused by using a third-party panel.

Reinstalling the custom panel



1. Remove the plastic caps and screws on both sides of the door.
2. Attach the suction cup on the top left or right side of the panel.
3. Pull the suction cup to detach the panel from the door.
4. Reinstall the panel as instructed in the previous section.



CAUTION

- Do not attach the suction cup to the center of the panel to remove it, as this may cause damage to the panel.
- Make sure the door is secured and stable before using the suction cups.

Testing the dishwasher

1. Open the door and remove all foam, paper packaging, and unnecessary parts.
2. Turn on the circuit breaker and open the water supply valve.
3. Turn on the dishwasher and run the Smart Install Cycle.
 - a. Tap **Settings**, and select **Delay Start**.
 - b. Tap < and > to set the time to "17".
 - c. Touch and hold the **Start** ▶ until "AS" appears on the display.
 - d. Tap **Start** ▶ and close the door.
 - e. The Smart Install Cycle will start and run for about 7 minutes. Then the dishwasher door will open and flash the number "5" for about 1 minute.
 - f. Once the Smart Install Cycle is completed, "Ot" will appear on the display.

CAUTION

Ensure there is no water leakage at both ends of the water supply line and drain hose connector.

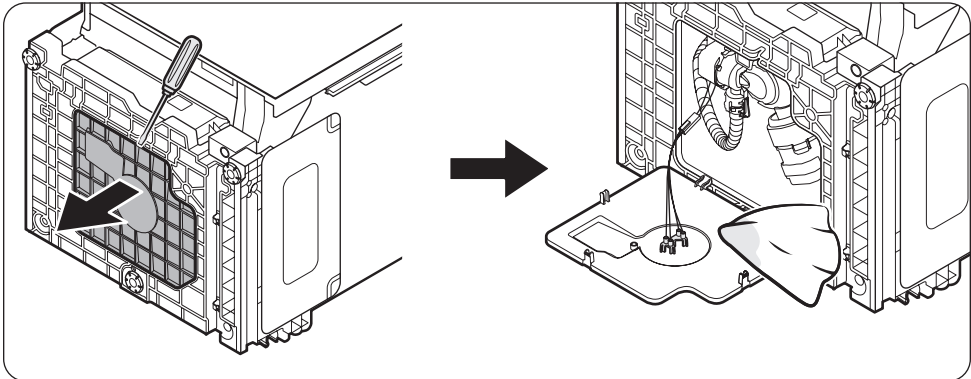
4. If there is no problem, turn off the dishwasher.
 - If you detect a leak, refer to the **Managing the water leakage** section.

Installation

Managing the water leakage

If you see the leakage check code (LC) on the control panel after the test operation, follow these instructions.

1. Touch and hold the **Start** button for more than 3 seconds to start draining.
2. When the draining is complete, unplug the dishwasher and close the water supply valve.
3. Check if the water inlet valve leaks.
 - If the leak is from the water inlet valve, reconnect the 90° fitting with the hot water supply line.



4. After reconnecting the 90° fitting with the hot water supply line, lay down the dishwasher and wipe out moisture from the water leakage sensor. (Refer to the figure.)
5. Plug in the dishwasher and open the water supply valve.
6. Run the Smart Install Cycle again.

NOTE

If the leakage check code (LC) remains after following the steps, stop the installation and contact a local service center for assistance.

Appendix

Specifications

Power supply	120 V, 15 A, 60 Hz AC
Water pressure	20~120 psi (140~830 kPa)
Dimensions (Width × Depth × Height)	23 ⁷ / ₈ x 25 x 33 ⁷ / ₈ inches (606 x 635 x 860 mm)
Minimum inlet water temperature	120 °F (49 °C)

NOTE

Specifications are subject to change without notice for quality improvement purposes. The actual appearance of the dishwasher may differ from the illustrations in this manual.

SAMSUNG

Lavavajillas

Manual de instalación

DW90F89*****



Escanee esto con su teléfono inteligente

Escanee el código QR* para ver nuestros
útiles videos de instalación.

* Requiere la instalación del lector en su teléfono inteligente.

SAMSUNG

Contenido

Instrucciones de seguridad	3
Símbolos de seguridad importantes	3
Advertencias de la Proposición 65 de California	4
Instrucciones de seguridad importantes	4
Antes de usar la lavavajillas	5
Preparación de la instalación	6
Piezas y herramientas necesarias	6
Dimensiones	9
Requisitos de instalación	10
Desempacar e inspeccionar la lavavajillas	11
Instalación	13
Preparación del gabinete	13
Preparación de la lavavajillas para la instalación	15
Conexión del cable de alimentación	16
Colocación de la lavavajillas en el gabinete	18
Conexión de la manguera de drenaje	19
Nivelación de la lavavajillas	21
Asegurar la lavavajillas	23
Fijar la placa de protección	25
Montaje del panel Bespoke (solo modelos aplicables)	26
Prueba de la lavavajillas	29
Apéndice	31
Especificaciones	31

Instrucciones de seguridad

En este manual, encontrará notas de advertencia y precaución. Las siguientes advertencias, precauciones e instrucciones de seguridad importantes no cubren todas las posibles condiciones y situaciones que pueden ocurrir. Es su responsabilidad actuar con sentido común, precaución y cuidado cuando instale, realice el mantenimiento y ponga en funcionamiento la lavavajillas. Samsung no se responsabiliza por los daños ocasionados por un uso inadecuado.

Símbolos de seguridad importantes

Significado de los iconos y las señales de esta guía de instalación:

ADVERTENCIA

Peligros o prácticas inseguras que pueden causar **lesiones físicas graves o la muerte.**

PRECAUCIÓN

Peligros o prácticas inseguras que pueden causar **lesiones físicas o daños materiales.**

PRECAUCIÓN

Para reducir el riesgo de incendio, explosión, descargas eléctricas o lesiones físicas cuando usa esta lavavajillas, siga estas instrucciones de seguridad básicas:

NOTA

Indica que existe el riesgo de lesiones personales o daños materiales.

Estas señales de advertencia sirven para evitar que usted y otras personas sufran lesiones.

Sígalas explícitamente.

Después de leer esta sección, guárdela en un lugar seguro para consultas futuras.

ATENCIÓN

Estas instrucciones de instalación están dirigidas a instaladores calificados.

Si tiene problemas al instalar esta lavavajillas

ESTADOS UNIDOS

Llame al: 1-800-SAMSUNG (726-7864)

1-844-SAM-PAYS (726-7297)

para recibir asistencia: www.samsung.com/us/support

CANADÁ

Llame al: 1-800-SAMSUNG (726-7864)

para recibir asistencia: www.samsung.com/ca/support (English)
www.samsung.com/ca_fr/support (French)

CONSERVEZ SOIGNEUSEMENT CES CONSIGNES

Instrucciones de seguridad

Advertencias de la Proposición 65 de California

ADVERTENCIA

Cáncer y afecciones reproductivas - www.P65Warnings.ca.gov

Instrucciones de seguridad importantes

Lea todas las instrucciones antes de usar el electrodoméstico.

Instale y guarde la lavavajillas en interiores, no expuesta a los factores climáticos.

PRECAUCIÓN

- No instale la lavavajillas cerca de componentes eléctricos. Mantenga la lavavajillas alejada de llamas abiertas.
- No instale la lavavajillas sobre una alfombra ya que existe peligro de incendio.
- No instale la lavavajillas en áreas donde el agua se congele (donde la temperatura descienda por debajo de 32 °F [0 °C]). El agua congelada en las mangueras o en las cañerías puede dañar la lavavajillas.
- Al igual que con cualquier equipo que usa electricidad, agua y piezas movibles, existen riesgos potenciales. Para usar este electrodoméstico en forma segura, familiarícese con su funcionamiento y úselo con cuidado.

Esta lavavajillas debe conectarse a tierra correctamente. Nunca la conecte a un tomacorriente sin conexión a tierra.

Antes de quitar la lavavajillas original e instalar la nueva unidad, asegúrese de desactivar su disyuntor. No conecte la lavavajillas hasta haber completado la instalación. El último paso de la instalación de la lavavajillas es la conexión del cable de alimentación.

Todo el cableado y la conexión a tierra deben realizarse en conformidad con el código eléctrico vigente en la región.

INSTRUCCIONES DE CONEXIÓN A TIERRA

Para un electrodoméstico con conexión permanente:

Este electrodoméstico debe estar conectado a un metal con conexión a tierra, un sistema de cableado permanente o a un conductor con conexión a tierra del equipo a los conductores del circuito y a la terminal con conexión a tierra del equipo.

La lavavajillas es muy pesada. No intente mover o trasladar una lavavajillas usted solo. Se necesitan dos o más personas para mover una lavavajillas y evitar posibles lesiones.

PRECAUCIÓN

- Si se daña el cable de alimentación, lo deberá reemplazar el fabricante, su agente de reparaciones o una persona igualmente calificada a fin de evitar accidentes.
- No toque el cable de alimentación con las manos mojadas.
- No conecte otro electrodoméstico en el mismo tomacorriente donde está enchufada la lavavajillas.

Asegúrese de utilizar un conducto nuevo. Los conductos viejos pueden romperse debido a que se endurecen y pueden ocasionar daños materiales por fugas de agua.

CONSERVEZ SOIGNEUSEMENT CES CONSIGNES

La lavavajillas debe estar conectada al suministro de agua caliente con una temperatura entre 120 °F (49 °C) y 149 °F (65 °C). Este rango de temperatura ofrece el mejor resultado de lavado y el ciclo más corto. La temperatura no deberá exceder los 149 °F (65 °C) para no dañar la vajilla.

Asegúrese de que el agua provista a la lavavajillas no se congele. El agua congelada puede dañar las mangueras, válvulas, bombas u otros componentes.

Las lavavajillas residenciales certificadas no están diseñadas para establecimientos alimentarios autorizados. (Estándar NSF/ANSI 184 para lavavajillas de uso residencial)

Para obtener una lista completa de información sobre seguridad, consulte el manual del usuario.

Antes de usar la lavavajillas

ADVERTENCIA



Riesgo de vuelco

- No utilice la lavavajillas hasta que no esté correctamente instalada.
- No ejerza presión sobre la puerta de la lavavajillas cuando está abierta.
- No coloque excesivo peso sobre la puerta de la lavavajillas cuando está abierta.



Riesgo de descarga eléctrica

De no seguir estas instrucciones, se puede provocar una descarga eléctrica, un incendio o la muerte:

- Conecte a tierra la lavavajillas.
- Conecte el cable a tierra al conector a tierra de color verde de la caja de conexiones.
- No utilice un cable prolongador.

Para reducir el riesgo de descarga eléctrica, incendio o lesiones físicas, el instalador debe asegurarse de que la lavavajillas esté completamente ensamblada en el momento de la instalación.

CONSERVEZ SOIGNEUSEMENT CES CONSIGNES

Preparación de la instalación

Asegúrese de que se hayan completado todos los preparativos necesarios antes de comenzar el proceso de instalación.

Piezas y herramientas necesarias

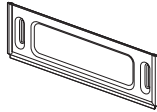
Antes de comenzar la instalación, reúna todas las herramientas y piezas necesarias para ahorrar tiempo y simplificar el proceso.

Piezas suministradas

Las siguientes piezas se suministran con la lavavajillas. Verifique que todas las piezas estén presentes al desembalar.



Ménsulas de montaje (2)



Placa de protección



Tornillo (4) – Ménsula de montaje



Autoadhesivo protector



Tapa plástica (4)



Tornillo negro (2) – Placa de protección



Tornillo (2) – Puerta de Bespoke



Tapa plástica (2) – Puerta de Bespoke



Herramienta de apertura de la puerta

Piezas que se deben comprar por separado

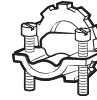
Las siguientes piezas no están incluidas con la lavavajillas y deben comprarse por separado.



Cable de alimentación



Conector de cables de torsión (3)



Alivio de tensión



Cinta aislante y cinta americana estándar



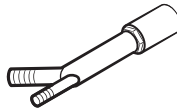
Manguera de suministro de agua caliente



Adaptador de $\frac{3}{4}$ " 90°



Adaptadores de tubos



Espacio de aire



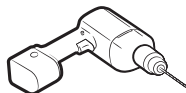
Abrazadera de manguera

Recomendaciones sobre las piezas no suministradas

Manguera de suministro de agua caliente	<ul style="list-style-type: none"> • Diámetro externo: $\frac{3}{8}$" mínimo • Material: Acero inoxidable trenzado o cobre con adaptador de compresión. <p>⚠ ADVERTENCIA No utilice mangueras plásticas de suministro de agua, ya que pueden deteriorarse y provocar fugas.</p>
Adaptador de 90°	<ul style="list-style-type: none"> • Un extremo con roscas de tubería externas N.P.T. de $\frac{3}{4}$" y el otro extremo debe adaptarse a la manguera de suministro de agua caliente (cobre con adaptadores de compresión o una manguera trenzada de acero inoxidable).
Cable de alimentación	<ul style="list-style-type: none"> • Cable recubierto de 12-2 con conexión a tierra. <p>📄 NOTA Algunos códigos locales pueden requerir una cubierta metálica estilo BX para el cable de alimentación.</p>

Preparación de la instalación

Herramientas necesarias



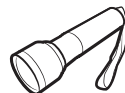
Taladro eléctrico



Gafas de seguridad



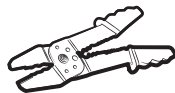
Guantes



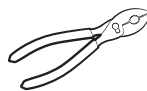
Linterna



Llave ajustable



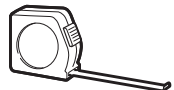
Alicate pelacable



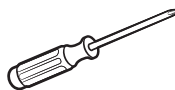
Alicate de corte



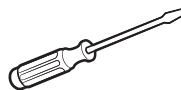
Tenazas



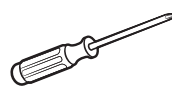
Cinta métrica



Destornillador Phillips



Destornillador de cabeza plana



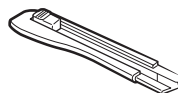
Torx T20



Lápiz



Cortatubos



Cúter



Fresa para escariar



Nivel



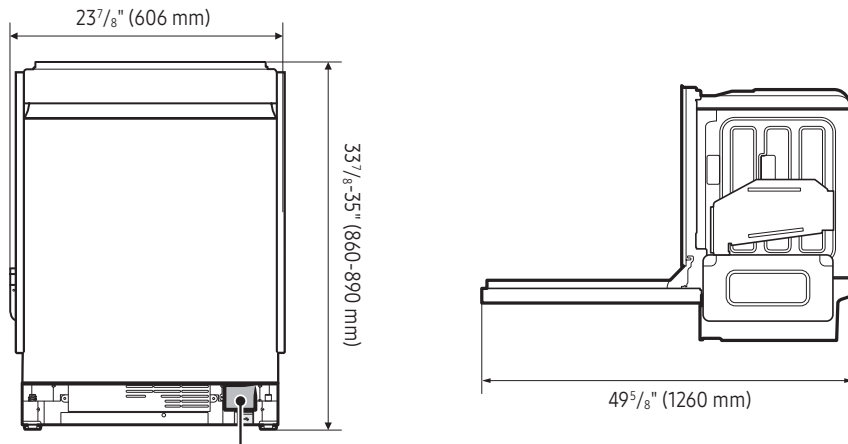
Llave en forma de L para cabezas hexagonales



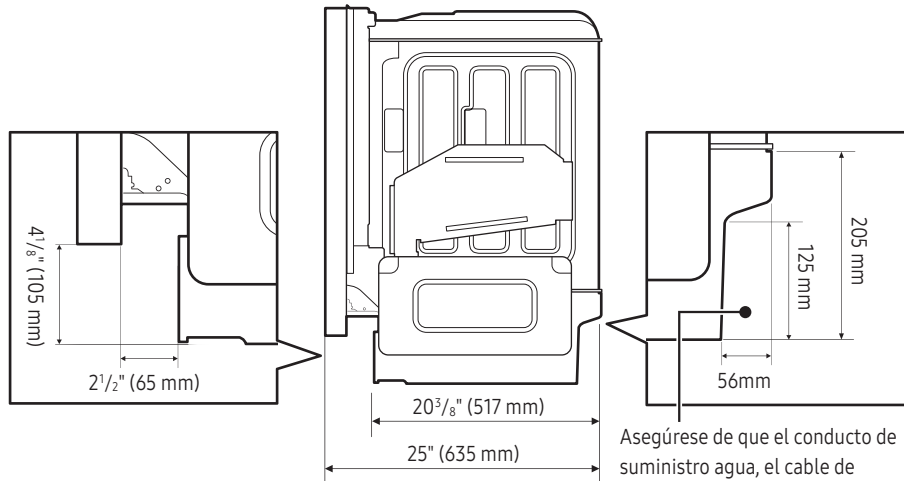
Ventosa

Dimensiones

Producto



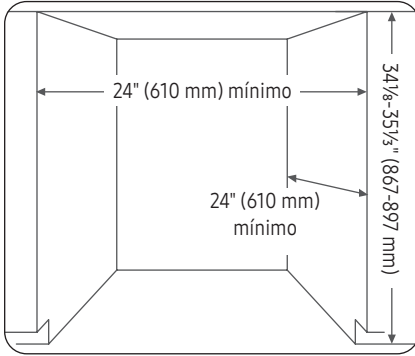
Caja de conexiones



Asegúrese de que el conducto de suministro agua, el cable de alimentación y la manguera de drenaje pasen por el espacio designado detrás de la lavavajillas.

Preparación de la instalación

Gabinete



Requisitos de instalación

Verificación de compatibilidad

Si va a reemplazar una vieja lavavajillas, debe verificar que las conexiones existentes sean compatibles con la nueva lavavajillas. Reemplace las conexiones existentes si es necesario.

Eléctrica

- **Estados Unidos:** Instalar de conformidad con el Código Eléctrico Nacional, así como los códigos estatales, municipales o locales.
- **Canadá:** Instalar de conformidad con el Código Eléctrico Canadiense C22.1 (última edición), así como los códigos provinciales, municipales o locales.
- **Para conexiones de cables directas:**
 - Utilice un cable de cobre flexible, blindado o con cubierta no metálica con una conexión a tierra que cumpla con los requisitos de cableado de los códigos y ordenanzas locales.

⚠ ADVERTENCIA

- NO utilice un cable prolongador.
- Use solamente el cable de alimentación que se provee con la lavavajillas.
- No conecte el cable a tierra a tuberías de plástico, tuberías de gas o cañerías de agua caliente.
- La conexión inadecuada del conductor de conexión a tierra puede causar una descarga eléctrica.

Suministro de agua

- **Presión:** Asegúrese de que la presión del conducto de agua caliente esté entre 20 y 120 psi (140 y 830 kPa).
- **Temperatura del agua:** Configure el calentador de agua para que suministre agua a una temperatura de entre 120 °F (49 °C) y 149 °F (65 °C)
 - Este rango ofrece los mejores resultados de lavado y acorta el tiempo del ciclo.
 - La temperatura del agua no deberá exceder los 149 °F (65 °C) para evitar dañar la vajilla.

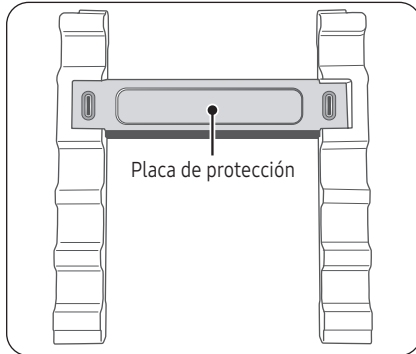
Ubicación

Seleccione una ubicación que reúna las siguientes condiciones.

- La ubicación debe tener un piso sólido que pueda soportar el peso de la lavavajillas.
- La ubicación debe ser cercana al fregadero con un acceso fácil al suministro de agua, al sistema de drenaje y a un tomacorriente.
 - Para un drenaje adecuado, la lavavajillas debe estar instalada a 9.8 pies (3 m) del fregadero.
- La ubicación debe permitirle colocar con facilidad los trastes dentro de la lavavajillas.
- La ubicación debe contar con espacio suficiente para que la puerta de la lavavajillas se abra fácilmente y que quede espacio suficiente entre la lavavajillas y los laterales del gabinete. (al menos 0.1 pulg. (2 mm)).
 - Si la lavavajillas se instala en un rincón, asegúrese de que el lateral de la lavavajillas esté a más de 2 pulgadas (50 mm) de la pared o del gabinete a su derecha o izquierda.
- La pared posterior no debe presentar obstrucciones
- Asegúrese de que el gabinete de la lavavajillas esté asegurado al piso. Si el gabinete no está asegurado, puede aumentar el ruido durante el funcionamiento de la lavavajillas.

Desempaquetar e inspeccionar la lavavajillas

Desempaque la lavavajillas en un área despejada y abierta sin obstrucciones alrededor o arriba. Guarde todos los materiales de empaque hasta que se complete la instalación y la lavavajillas esté en pleno funcionamiento para garantizar que se retiren todos los componentes antes de desechar el empaque.



1. Coloque la caja en posición vertical.
2. Corte las correas que aseguran la caja.
3. Desempaque el producto y deje a un lado las correas y los materiales de empaque.
4. Localice la placa de protección adherida al material de empaque y déjela a un lado.
5. Inspeccione la lavavajillas para detectar posibles daños.
 - Consulte la sección **Lista de inspección** para obtener detalles.
6. Levante la lavavajillas de la bandeja base de cartón y, luego, colóquela sobre el piso.

⚠ PRECAUCIÓN

- Siempre levante la lavavajillas para moverla. Si se desliza la lavavajillas, se pueden dañar las patas y la superficie debajo.
- No retire el aislante de protección acústica que rodea el exterior del tambor de la lavavajillas.
- Mantenga el empaque interno en su lugar hasta que se complete la instalación para proteger los componentes internos.

Preparación de la instalación

Lista de inspección

Mecánica	<ul style="list-style-type: none">• Verifique que el montaje de la base de plástico esté intacto.• Verifique que las patas niveladoras estén en su lugar y sean ajustables para nivelar la lavavajillas.• Verifique que todos los componentes visibles en la parte inferior estén intactos y seguros.• Pruebe la traba y las bisagras de la puerta y asegúrese de que la puerta esté bien asegurada.
Cañerías	<ul style="list-style-type: none">• Inspeccione la válvula de entrada de agua en la parte posterior de la lavavajillas. (En la parte inferior derecha). Asegúrese de que la válvula de entrada de agua esté segura, que las roscas estén lisas y que el área esté limpia.• Inspeccione la manguera de drenaje para detectar agujeros o deformidades que puedan causar fugas.
Eléctrica	<ul style="list-style-type: none">• Verifique que la tapa de la caja de conexiones, en la esquina inferior delantera derecha de la lavavajillas, esté segura.• Verifique que la caja de conexiones no esté dañada y esté asegurada.
Apariencia	<ul style="list-style-type: none">• Inspeccione si hay abolladuras o rayones en el panel frontal.• Inspeccione los bordes de la puerta para detectar asperezas o grietas.• Verifique que el panel de control esté limpio y sin rayones.
Piezas	<ul style="list-style-type: none">• Verifique que todas las piezas enumeradas en Piezas y herramientas necesarias estén presentes y sin daños.

Instalación

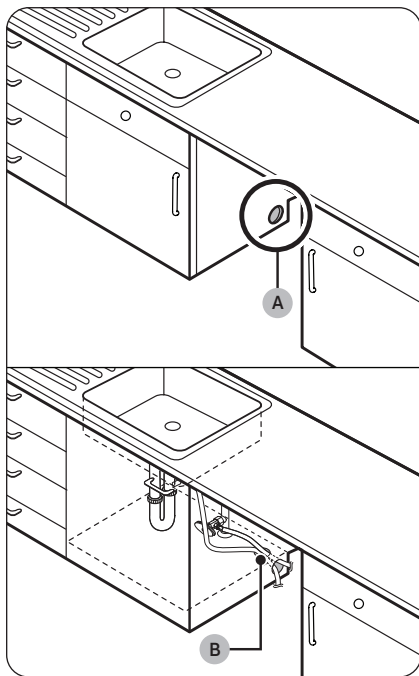
Asegúrese de que usted o su instalador sigan cuidadosamente estas instrucciones para que la lavavajillas funcione correctamente y para evitar cualquier riesgo de lesiones durante su uso.

⚠ PRECAUCIÓN

- Asegúrese de que el disyuntor esté apagado y que la válvula de suministro de agua esté cerrada.
- Retraiga por completo las patas niveladoras antes de mover la lavavajillas para evitar daños.

Preparación del gabinete

Antes de instalar la lavavajillas en una nueva ubicación, siga estas instrucciones.



1. Utilizando una fresa para escariar de 2 1/2", perfora un **orificio (A)** en el costado del gabinete que sostiene el fregadero.

📖 NOTA

Es posible que deba hacer un orificio adicional según la ubicación del tomacorriente.

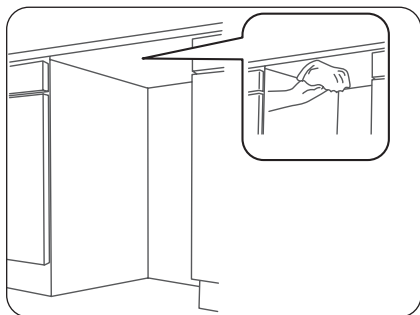
2. Si la base dentro del gabinete del fregadero se eleva sobre el piso de la cocina y es más alta que las conexiones de la lavavajillas, debe hacerse otro **orificio (B)** en la base dentro del gabinete.

⚠ PRECAUCIÓN

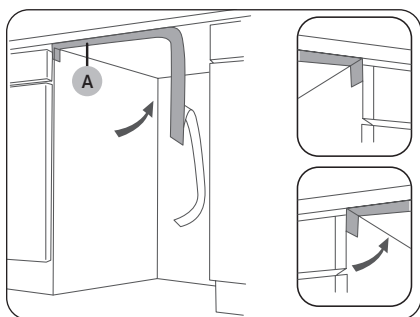
Alise los bordes del orificio antes de insertar la manguera de drenaje para evitar dañarla. Los bordes afilados pueden dañar la manguera de drenaje y provocar fugas.

- Para los gabinetes de metal, cubra los bordes afilados con cinta aisladora o adhesiva.

Instalación



3. Limpie la parte inferior de la encimera.



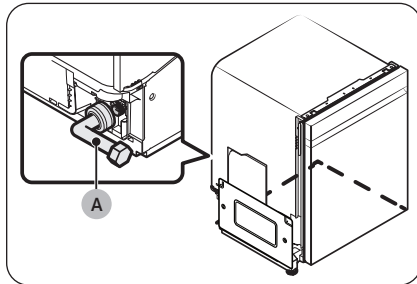
4. Coloque el **autoadhesivo protector (A)**.

- El autoadhesivo protector evita daños al deslizar la lavavajillas dentro y fuera del gabinete durante la instalación.
- El autoadhesivo protector mide 26 pulgadas (660 mm) de largo.

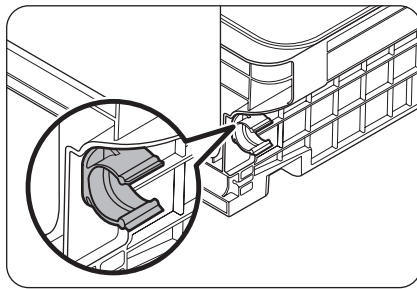
Preparación de la lavavajillas para la instalación

⚠ PRECAUCIÓN

- Asegúrese de que el disyuntor esté apagado y que la válvula de suministro de agua esté cerrada.
- Retraiga por completo las patas niveladoras antes de mover la lavavajillas para evitar daños.



1. Conecte el **adaptador de 90° (A)** de 3/4" a la válvula de entrada de agua.

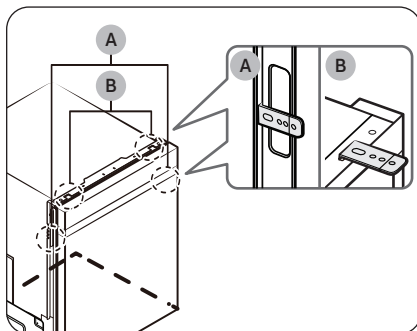


2. Desconecte la manguera de drenaje fijada a la parte posterior de la lavavajillas.
 - Asegúrese de que no haya dobleces ni curvas pronunciadas que puedan restringir el flujo de agua.

📖 NOTA

Puede utilizar el soporte de la manguera de drenaje para asegurarla si necesita dirigirla hacia el lado derecho de la lavavajillas.

- El soporte de la manguera de drenaje se puede desmontar y reubicar en 3 ubicaciones diferentes.
 - Para reubicarlo, apriete suavemente y gire el soporte hacia la izquierda para liberarlo, sáquelo, luego insértelo en la posición deseada y gírelo hacia la derecha para bloquearlo en su lugar.
3. Coloque los dos soportes de montaje en la parte superior o en los laterales de la lavavajillas.
 - **A:** Si la encimera está hecha de un material que no se puede perforar, coloque un soporte en cada lado (izquierdo y derecho).
 - **B:** Si la encimera está hecha de un material que no se puede perforar, coloque los soportes en la parte superior.



Instalación

Conexión del cable de alimentación

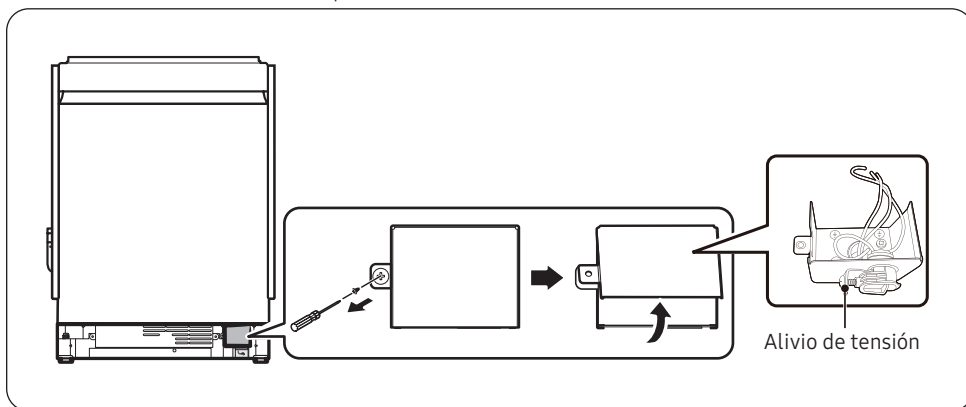
⚠ ADVERTENCIA

Riesgo de descarga eléctrica

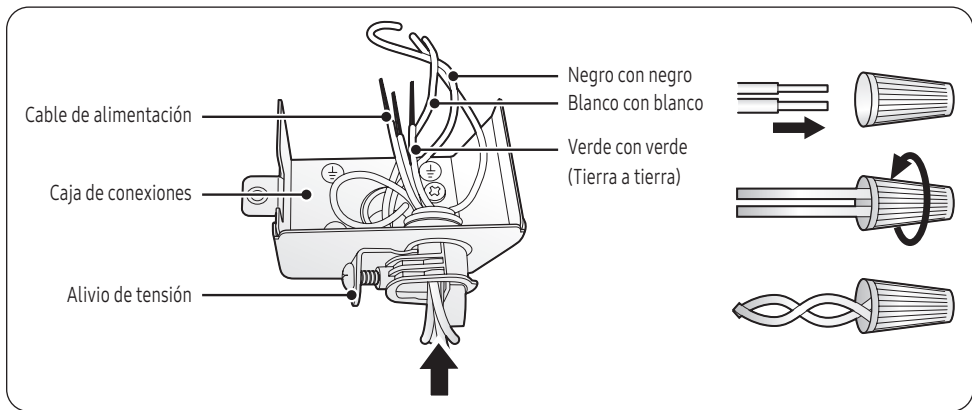
- Para evitar descargas eléctricas, no manipule un circuito energizado. Si lo hiciera, podría sufrir lesiones graves o incluso la muerte. Solo los técnicos de servicio calificados pueden realizar conexiones eléctricas. No intente manipular el circuito de suministro eléctrico de la lavavajillas hasta que no esté seguro de que está desenergizado.

Riesgo de incendio

- Para evitar el riesgo de incendio, asegúrese de que la instalación eléctrica sea correcta.
- Solo los técnicos de servicio calificados pueden realizar conexiones eléctricas.



1. Retire la tapa de la caja de conexiones.
 - Afloje el tornillo del lado izquierdo de la caja de conexiones.
 - Hay tres cables en la caja de conexiones, incluida la línea de conexión a tierra.
2. Instale un alivio de tensión.

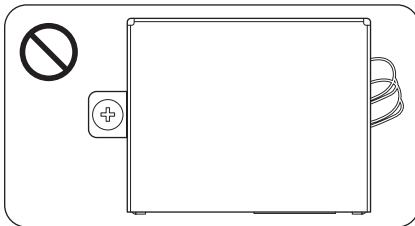


3. Inserte el cable de alimentación a través del alivio de tensión hasta la caja de conexiones de manera segura.
4. Conecte los tres cables utilizando conectores de torsión.
 - Primero, una los cables del mismo color. Luego, inserte cada par de cables en un conector de torsión y gírelo en el sentido de las agujas del reloj para asegurarlo.

NOTA

El cable de torsión no debe girarse en sentido antihorario.

5. Verifique nuevamente que cada cable esté conectado de forma segura a su color correspondiente (blanco con blanco, negro con negro, verde con verde).
6. Organice todos los cables en la caja de conexiones y, luego, fije la tapa.



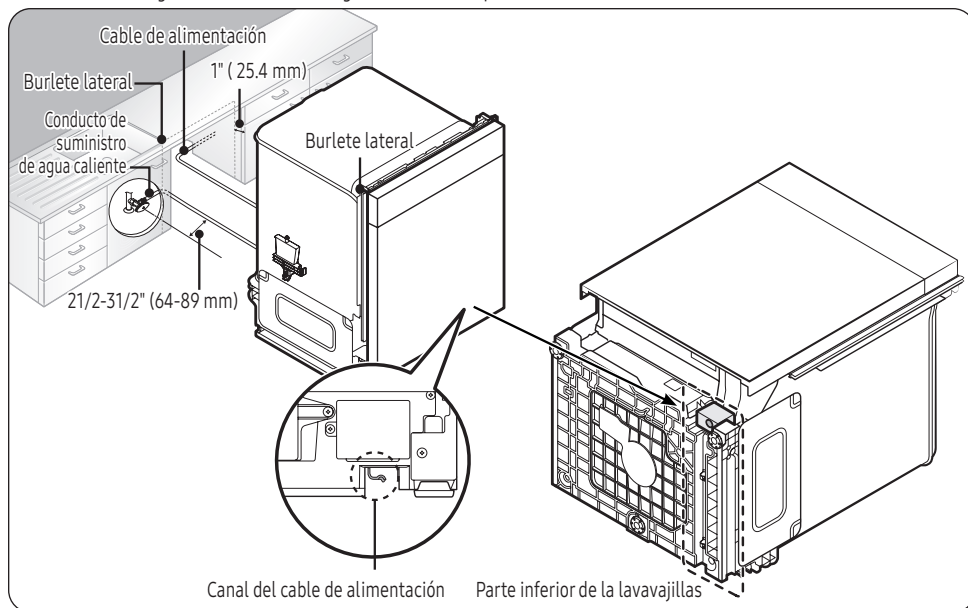
PRECAUCIÓN

Asegúrese de que los cables no queden aplastados ni sobresalgan de la caja de conexiones.

Instalación

Colocación de la lavavajillas en el gabinete

1. Coloque la lavavajillas en el frente del gabinete.
2. Conecte la manguera de suministro de agua caliente al adaptador de 90°.



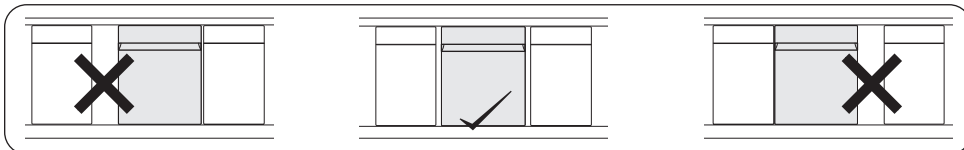
3. Acomode el cable de alimentación, conectado a la caja de conexiones, en la parte posterior de la lavavajillas.
 - Utilice los ganchos en el canal del cable de alimentación, en la parte inferior de la lavavajillas, para acomodar el cable.
4. Pase el enchufe, la manguera de suministro de agua y la manguera de drenaje a través del orificio que haya hecho previamente en la pared del gabinete.
5. Deslice la lavavajillas con cuidado en el gabinete.
 - Para evitar torceduras, dobleces o aplastamientos en el conducto de suministro de agua, la manguera de drenaje o el cable de alimentación, pida a otra persona que jale los excesos de longitud mientras usted desliza la lavavajillas hacia adentro.
 - Asegúrese de que ambos burletes laterales estén perfectamente insertados, de $\frac{13}{16}$ a 1 pulgada hacia adentro desde el borde frontal del gabinete de la cocina, ya que una colocación incorrecta puede aumentar el ruido durante el funcionamiento de la lavavajillas.

PRECAUCIÓN

Asegúrese de que el conducto de suministro de agua, la manguera de drenaje y el cable de alimentación no estén retorcidos, doblados ni aplastados.

6. Conecte la manguera de suministro de agua a la válvula del agua caliente debajo del fregadero.
 - Envuelva con cinta Teflón todas las conexiones para evitar fugas.

7. Conecte la manguera de drenaje al fregadero.
- Consulte la sección **Conexión de la manguera de drenaje** para obtener detalles.



⚠ PRECAUCIÓN

Después de colocar la lavavajillas dentro del gabinete, verifique lo siguiente.

- Asegúrese de que la puerta se abra y cierre libremente sin que interfiera el gabinete.
- Asegúrese de que la lavavajillas esté ubicada en el centro.

Conexión de la manguera de drenaje

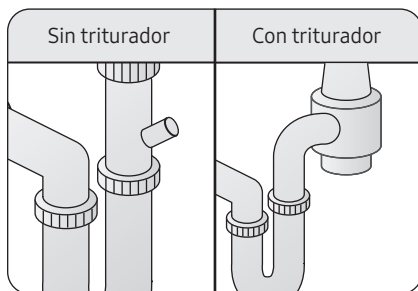
Hay varias maneras de conectar la manguera de drenaje. Asegúrese de que la conexión cumpla con las regulaciones locales de instalación de tuberías de agua.

⚠ PRECAUCIÓN

No alargue la manguera de drenaje más de 3 m.

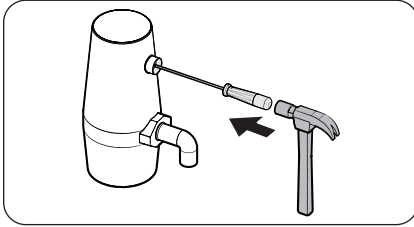
📖 NOTA

Antes de conectar la manguera de drenaje al fregadero, asegúrese de que no haya ningún material extraño dentro de la manguera.



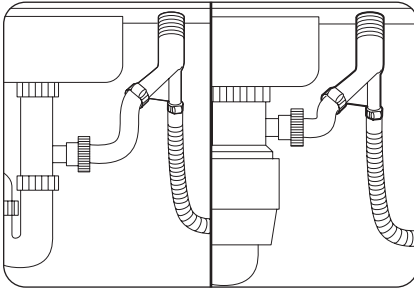
1. Revise debajo del fregadero para ver si tiene un triturador de basura.

Instalación



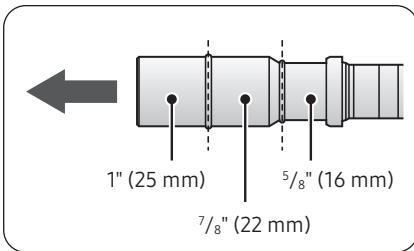
NOTA

Quite el tapón en el conector del triturador de basura antes de conectar la manguera de drenaje.



2. Compruebe si es necesaria la instalación del espacio de aire.

- Instale el espacio de aire. Luego, use una manguera para conectar la salida del espacio de aire al desagüe del fregadero o al triturador de basura.
- Si no necesita instalar un espacio de aire, enlace la manguera de drenaje. (Consulte la sección **Enlazado de la manguera de drenaje** para obtener detalles).



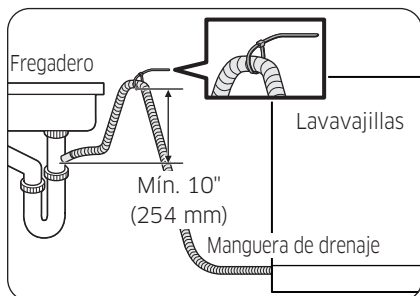
3. Utilice una abrazadera para conectar la manguera de drenaje a la entrada del espacio de aire, al desagüe del fregadero o al triturador de basura.

- El extremo de la manguera de drenaje tiene tres diámetros diferentes para adaptarse a varios tamaños, y se puede cortar cualquier parte que no sea necesaria.
- Si el extremo de la manguera de drenaje no encaja en el punto de conexión, compre un adaptador adecuado en una tienda de artículos de plomería o una ferretería.

PRECAUCIÓN

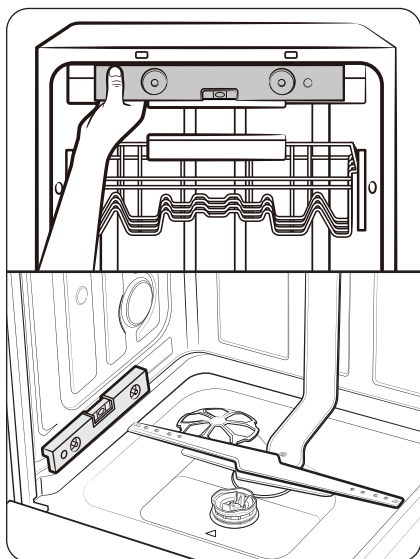
- Debe utilizar una abrazadera de manguera. De lo contrario, es posible que haya fugas de agua.
- Tenga cuidado al cortar el extremo de la manguera de drenaje ya que podría lastimarse.
- No corte el área acanalada de la manguera de drenaje.

Enlazado de la manguera de drenaje



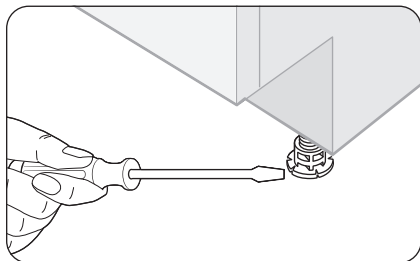
Para evitar el flujo de retorno, asegure la manguera de drenaje en la pared lateral o trasera del gabinete con sujetacables u otros accesorios. Asegúrese de que la altura de la manguera de drenaje esté al menos a 10 pulgadas (254 mm) del conector del fregadero.

Nivelación de la lavavajillas



1. Con un nivel, verifique si la lavavajillas está nivelada de lado a lado y de adelante hacia atrás.
 - Utilice las patas niveladoras delanteras para nivelar la lavavajillas de lado a lado.
 - Utilice la pata niveladora trasera para nivelar la lavavajillas de adelante hacia atrás.

Instalación

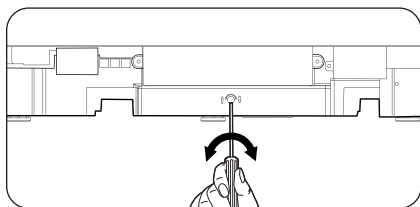


2. Utilice un destornillador de cabeza plana para ajustar la altura frontal.
- Para disminuir la altura, gire la pata niveladora en el sentido de las agujas del reloj.
 - Para aumentar la altura, gire la pata niveladora en el sentido contrario al de las agujas del reloj.

NOTA

Puede ajustar las patas niveladoras hasta un máximo de 1/8 de pulgada.

Sin embargo, no se recomienda nivelar hasta la altura máxima.



3. Para ajustar la altura de la parte trasera, inserte el destornillador Torx T20 en el centro de la parte inferior de la lavavajillas.
- Para disminuir la altura, gire el destornillador en el sentido de las agujas del reloj.
 - Para aumentar la altura, gire el destornillador en el sentido contrario al de las agujas del reloj.

NOTA

Para evitar fugas por la puerta, asegúrese de que la parte delantera de la lavavajillas no esté más baja que la trasera.

PRECAUCIÓN

- Si el producto se instala sin nivelar o sin ninguna de las patas niveladoras, es posible que la puerta no se cierre por completo, lo que provocará una fuga de vapor o agua.
- Cuando ajuste la altura de la lavavajillas, asegúrese de que el burlete superior esté perfectamente insertado debajo de la parte superior del gabinete de la cocina. De lo contrario, puede aumentar el ruido durante el funcionamiento de la lavavajillas.

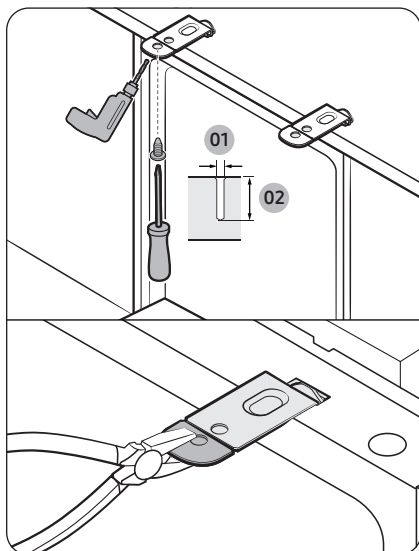
Asegurar la lavavajillas

Asegure la lavavajillas a la encimera o a las paredes adyacentes del gabinete para lograr mayor estabilidad y seguridad.

⚠ PRECAUCIÓN

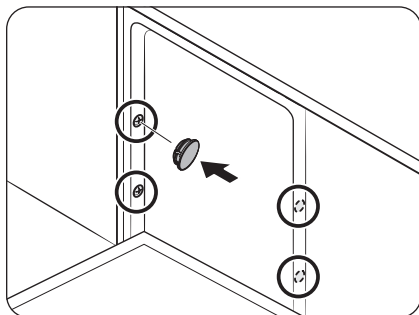
Antes de asegurar la lavavajillas, coloque una toalla grande en la parte inferior (que cubra el sumidero) para evitar que caigan restos de madera o tornillos dentro del sumidero de la lavavajillas.

A la encimera



01 2 mm

02 12 mm



1. Con cuidado, perforo 2 orificios para los tornillos en la parte inferior de la encimera por debajo, uno para cada ménsula de montaje.
 - Asegúrese de que el orificio que realice sea más pequeño que el diámetro del tornillo.
2. Inserte los tornillos provistos en los orificios de las ménsulas y, luego, ajústelos para asegurar la lavavajillas a la encimera.

📄 NOTA

Si las ménsulas que se proveen son demasiado largas, córtelas con un alicate.

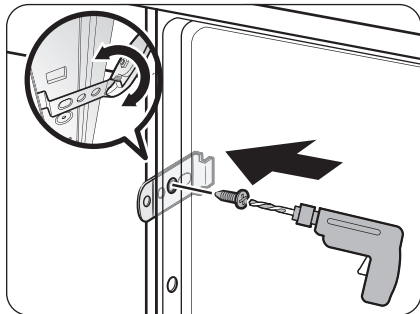
3. Cubra los cuatro orificios con las tapas de plástico proporcionadas.

⚠ PRECAUCIÓN

- Si las tapas de plástico no están ensambladas, podría producirse una fuga de agua y provocar un incendio o una descarga eléctrica.
- Luego de instalar la lavavajillas en el gabinete, asegúrese de que la puerta se abra y se cierre libremente sin que interfiera el gabinete.

Instalación

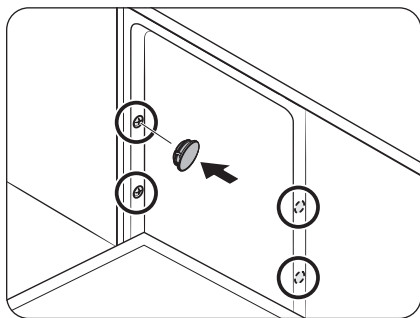
En los laterales



1. Perfore un orificio en ambos lados del gabinete de la cocina; en total 2 orificios para los tornillos.
 - Asegúrese de que el orificio que realice sea más pequeño que el diámetro del tornillo.
2. Ajuste los tornillos provistos en los orificios para asegurar la lavavajillas al gabinete.

NOTA

Si las ménsulas que se proveen son demasiado largas, córtelas con un alicate.

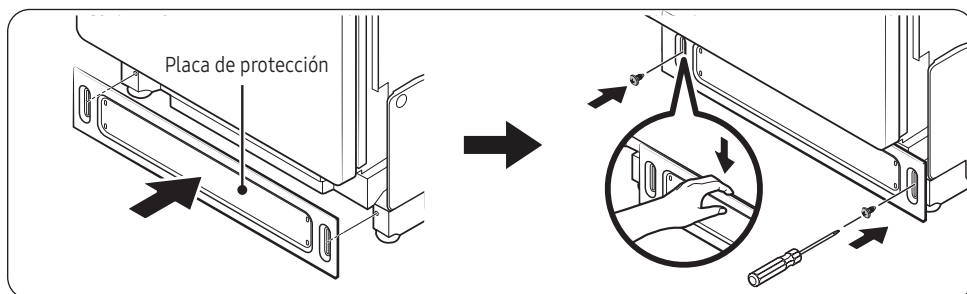


3. Cubra los cuatro orificios con las tapas de plástico proporcionadas.

PRECAUCIÓN

- Si las tapas de plástico no están ensambladas, podría producirse una fuga de agua y provocar un incendio o una descarga eléctrica.
- Luego de instalar la lavavajillas en el gabinete, asegúrese de que la puerta se abra y se cierre libremente sin que interfiera el gabinete.

Fijar la placa de protección



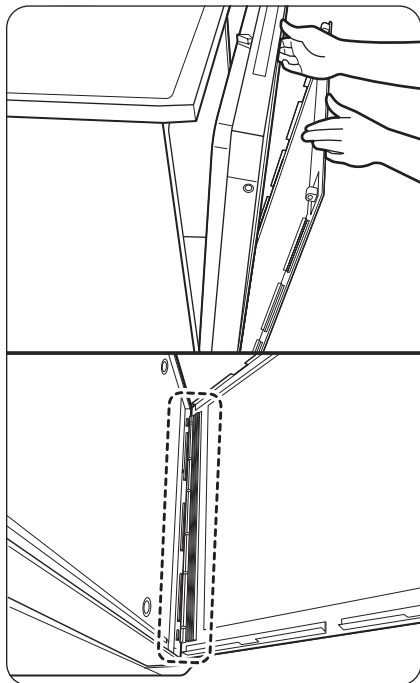
1. Mantenga tenso el faldón de caucho de la puerta.
2. Empuje la placa de protección desde la parte delantera del faldón de caucho hacia adentro, debajo de la puerta de la lavavajillas.
 - Asegúrese de que los burletes de la placa de protección estén nivelados a la perfección con el piso y las paredes laterales.
3. Apriete los tornillos para asegurar la placa de protección.

⚠ PRECAUCIÓN

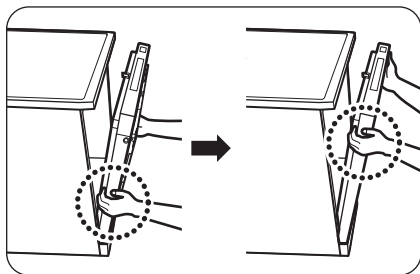
Asegúrese de que la placa de protección no interfiera con el funcionamiento de la puerta de la lavavajillas. Abra la puerta a 90° y asegúrese de que se mueva libremente y sin ruidos.

Instalación

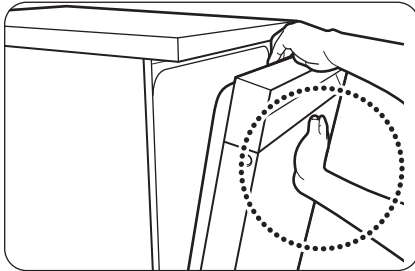
Montaje del panel Bespoke (solo modelos aplicables)



1. Abra la puerta y coloque el panel personalizado en la parte inferior frontal de la puerta.



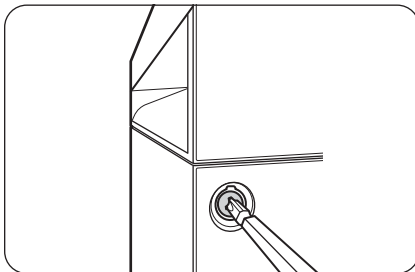
2. Mientras sujeta la puerta y el panel personalizado con ambas manos, presione el panel de manera uniforme de abajo hacia arriba para que calce en la lavavajillas.



3. Cuando ambos lados del panel encajen en su lugar, presione el centro superior del panel personalizado para asegurarlo a la parte superior de la puerta.

NOTA

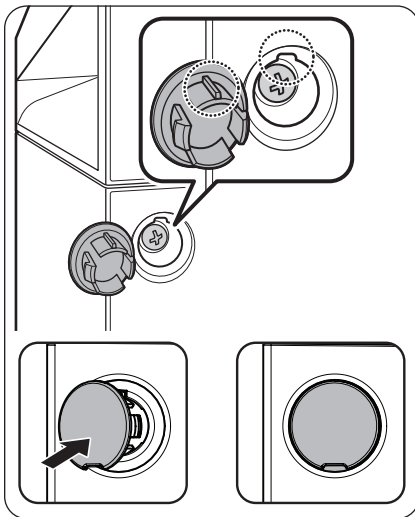
- Asegúrese de que el panel personalizado encaje bien en la lavavajillas.
- El panel está correctamente fijado si el espacio entre la lavavajillas y el panel es inferior a 0.1 pulgadas (2 mm). Si el espacio es superior a 0.1 pulgadas (2 mm), vuelva a fijar el panel.



4. Desempaque las tapas de plástico y los tornillos proporcionados (dos para cada uno).
5. Apriete los tornillos a ambos lados de la lavavajillas.

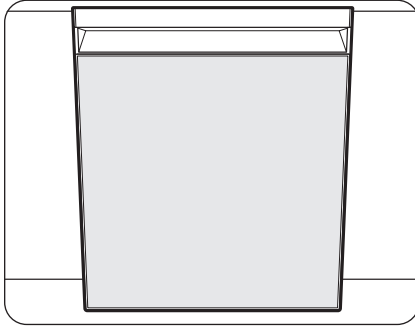
NOTA

Al apretar el tornillo en cada lado, hágalo de manera uniforme para evitar que el panel se mueva hacia cualquiera de los lados.



6. Inserte las tapas en ambos lados.
 - Asegúrese de que la nervadura de la tapa encaje en el orificio de la lavavajillas en la dirección correcta.

Instalación



7. Así se completa el montaje del panel personalizado.

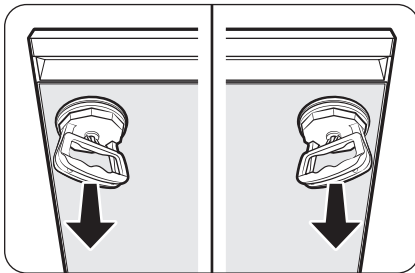
NOTA

Después de insertar el panel, revíselo a simple vista. Si el panel no está bien insertado o los espacios no son uniformes en las cuatro esquinas, vuelva a instalarlo. (Consulte la sección **Volver a instalar el panel personalizado** para obtener detalles).

PRECAUCIÓN

Utilice únicamente el panel Samsung Bespoke original (disponible en distribuidores autorizados de Samsung). No está permitido utilizar un panel de terceros y el usuario es totalmente responsable de cualquier problema causado por el uso de un panel de terceros.

Volver a instalar el panel personalizado



1. Retire las tapas plásticas y los tornillos a ambos lados de la puerta.
2. Coloque la ventosa en la parte superior izquierda o derecha del panel.
3. Jale la ventosa para separar el panel de la puerta.
4. Vuelva a instalar el panel como se indica en la sección anterior.



PRECAUCIÓN

- No coloque la ventosa en el centro del panel para retirarlo, ya que esto podría dañar el panel.
- Asegúrese de que la puerta esté bien fijada y estable antes de usar las ventosas.

Prueba de la lavavajillas

1. Abra la puerta y quite todas las piezas innecesarias, goma espuma y empaque de papel.
2. Encienda el disyuntor y abra la válvula de suministro de agua.
3. Encienda la lavavajillas y ejecute el ciclo de instalación inteligente.
 - a. Pulse **Configuración** y seleccione **Inicio retardado**.
 - b. Pulse <y> para establecer el tiempo en "17".
 - c. Mantenga pulsado **Inicio** ▷ hasta que aparezca "AS" en la pantalla.
 - d. Pulse **Inicio** ▷ y cierre la puerta.
 - e. El ciclo de instalación inteligente se iniciará y se ejecutará durante unos 7 minutos. Luego, la puerta de la lavavajillas se abrirá y parpadeará el número "5" durante aproximadamente 1 minuto.
 - f. Una vez completado el ciclo de instalación inteligente, aparecerá "Ot" en la pantalla.

PRECAUCIÓN

Asegúrese de que no haya fugas en ambos extremos del conducto de suministro de agua y del conector de la manguera de drenaje.

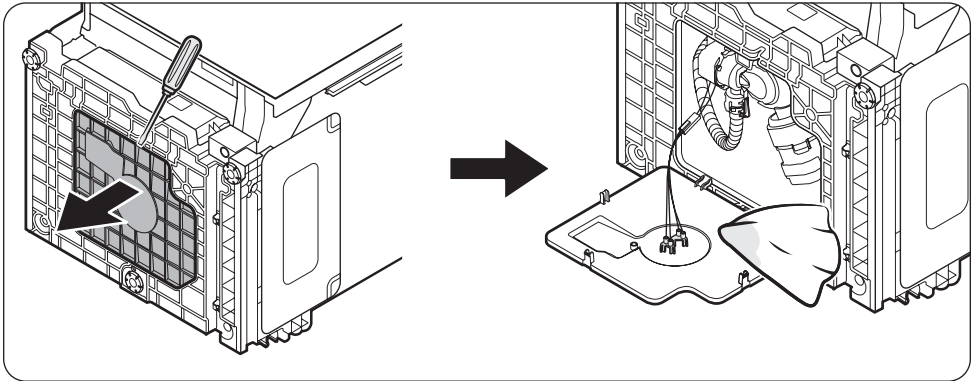
4. Si no hay ningún problema, apague la lavavajillas.
 - Si detecta una fuga, consulte la sección **Gestión de las fugas de agua**.

Instalación

Gestión de las fugas de agua

Si ve el código de verificación de fugas (LC) en el panel de control después de la operación de prueba, siga estas instrucciones.

1. Mantenga pulsado el botón **Inicio** ▷ durante más de 3 segundos para comenzar a drenar.
2. Al finalizar el drenaje, desenchufe la lavavajillas y cierre la válvula del suministro de agua.
3. Revise si hay fugas en la válvula de entrada de agua.
 - Si la fuga proviene de la válvula de entrada, vuelva a conectar el adaptador de 90° al conducto de suministro de agua caliente.



4. Después de volver a conectar el adaptador de 90° con la línea de suministro de agua caliente, apoye la lavavajillas en un lugar plano y limpie la humedad del sensor de fugas. (Consulte la figura).
5. Enchufe la lavavajillas y abra la válvula de suministro de agua.
6. Ejecute nuevamente el ciclo de instalación inteligente.

NOTA

Si el código de verificación de fugas (LC) persiste después de seguir los pasos, detenga la instalación y comuníquese con un centro de servicio local para obtener ayuda.

Apéndice

Especificaciones

Suministro eléctrico	120 V, 15 A, 60 Hz CA
Presión de agua	20~120 psi (140~830 kPa)
Dimensiones (Ancho x Profundidad x Altura)	23 ⁷ / ₈ x 25 x 33 ⁷ / ₈ pulgadas (606 x 635 x 860 mm)
Temperatura mínima del agua en la entrada	120 °F (49 °C)

NOTA

Las especificaciones están sujetas a cambios sin previo aviso con el fin de mejorar la calidad. La apariencia real de la lavavajillas puede diferir de las ilustraciones de este manual.

SAMSUNG

Lave-vaisselle

Manuel d'installation

DW90F89*****



Scannez ce code avec votre smartphone.

Scannez le code QR* pour visionner
des vidéos d'aide à l'installation.

* Un lecteur doit avoir été installé sur votre smartphone.

SAMSUNG

Sommaire

Consignes de sécurité	3
Symboles de sécurité importants	3
Avertissement de la Proposition 65 de la Californie	4
Consignes de sécurité importantes	4
Avant d'utiliser votre lave-vaisselle	5
Préparation à l'installation	6
Pièces et outils nécessaires	6
Dimensions	9
Conditions indispensables à l'installation	10
Déballage et vérification du lave-vaisselle	11
Installation	13
Préparation du meuble	13
Préparation du lave-vaisselle en vue de son installation	15
Branchement du câble d'alimentation	16
Installation du lave-vaisselle dans le meuble	18
Raccordement du tuyau d'évacuation	19
Mise à niveau du lave-vaisselle	21
Fixation du lave-vaisselle	23
Fixation de la plaque de protection	25
Montage du panneau sur mesure (modèles applicables uniquement)	26
Essai du lave-vaisselle	29
Annexe	31
Caractéristiques techniques	31

Consignes de sécurité

Tout au long du présent manuel, vous rencontrerez des remarques intitulées Avertissement et Attention. Les remarques, ainsi que les consignes de sécurité décrites dans cette section, ne sont pas exhaustives. Il est de votre responsabilité de faire appel à votre bon sens et de faire preuve de prudence et de minutie lors de l'installation, la maintenance et l'utilisation du lave-vaisselle. Samsung ne saurait être tenue pour responsable en cas de dommage résultant d'une utilisation non conforme.

Symboles de sécurité importants

Que signifient les icônes et symboles utilisés dans ce manuel d'installation ?

AVERTISSEMENT

Risques ou manipulations dangereuses susceptibles d'entraîner **des blessures graves, voire mortelles**.

ATTENTION

Risques ou manipulations dangereuses pouvant entraîner des **blessures ou des dommages matériels**.

ATTENTION

Pour réduire le risque d'incendie, d'explosion, d'électrocution ou de blessures lors de l'utilisation du lave-vaisselle, veuillez vous conformer aux précautions de sécurité de base suivantes :

REMARQUE

Indique un risque de blessures ou de dommages matériels.

Ces symboles d'avertissement visent à éviter que vous ou quelqu'un d'autre ne se blesse.

Veuillez vous y conformer scrupuleusement.

Lorsque vous aurez terminé de lire ce manuel, conservez-le dans un endroit sûr afin de pouvoir le consulter ultérieurement.



STOP

Ces instructions d'installation ont été rédigées pour être utilisées par des installateurs qualifiés.

Si vous rencontrez des problèmes lors de l'installation du lave-vaisselle,

ÉTATS-UNIS

Veuillez appeler au : 1-800-SAMSUNG (726-7864)

1-844-SAM-PAYS (726-7297)

ou consulter le site suivant, www.samsung.com/us/support
pour obtenir de l'aide :

CANADA

Veuillez appeler au : 1-800-SAMSUNG (726-7864)

ou consulter le site suivant, www.samsung.com/ca/support (English)
pour obtenir de l'aide : www.samsung.com/ca_fr/support (French)

CONSERVEZ SOIGNEUSEMENT CES CONSIGNES

Consignes de sécurité

Avertissement de la Proposition 65 de la Californie

AVERTISSEMENT

Risque de cancer et d'effets nocifs sur la reproduction - www.P65Warnings.ca.gov

Consignes de sécurité importantes

Lisez attentivement toutes les instructions avant d'utiliser l'appareil.

Installez et entreposez le lave-vaisselle à l'intérieur, dans un endroit où il ne pourra être exposé aux intempéries.

ATTENTION

- N'installez pas le lave-vaisselle près de composants électriques. Éloignez-le des flammes nues.
- N'installez pas le lave-vaisselle sur un tapis en raison des risques d'incendie.
- N'installez pas le lave-vaisselle dans un endroit où l'eau pourrait geler (lorsque la température descend en dessous de 32 °F (0 °C)). Le lave-vaisselle pourrait être endommagé par la glace se trouvant dans les tuyaux et conduits.
- À l'instar de tous les équipements électriques, utilisant l'eau et comportant des parties mobiles, des risques potentiels existent. Pour utiliser cet appareil en toute sécurité, veuillez vous familiariser avec son fonctionnement et faire toujours preuve de prudence.

Le lave-vaisselle doit être mis à la terre de façon appropriée. Ne le branchez jamais à une prise non reliée à la terre.

Avant d'enlever le lave-vaisselle d'origine et de le remplacer par le nouvel appareil, assurez-vous d'avoir coupé votre disjoncteur. Ne branchez pas le câble d'alimentation du lave-vaisselle avant d'avoir terminé l'installation ; ce branchement est la dernière étape à effectuer.

Toutes les opérations de câblage et de mise à la terre doivent être effectuées conformément au code d'électricité en vigueur dans votre pays.

INSTRUCTIONS DE MISE À LA TERRE

Branchement permanent de l'appareil :

Cet appareil doit être connecté à un système de câblage permanent métallique avec mise à la terre ; si ce n'est pas le cas, un conducteur de mise à la terre de l'équipement doit être installé avec les conducteurs du circuit puis connecté à la borne ou au fil de mise à la terre de l'équipement située sur l'appareil.

Le lave-vaisselle est très lourd. Ne tentez pas de le déplacer ou de le transporter seul. Au minimum deux personnes sont nécessaires pour déplacer le lave-vaisselle et ainsi éviter tout risque de blessures.

ATTENTION

- Si le câble d'alimentation est endommagé, faites-le remplacer par le fabricant, un réparateur agréé ou une personne disposant de qualifications similaires afin d'éviter tout risque.
- Ne touchez jamais le câble d'alimentation si vos mains sont mouillées.

CONSERVEZ SOIGNEUSEMENT CES CONSIGNES

- Ne branchez aucun autre appareil sur la même prise électrique que le lave-vaisselle.

Assurez-vous d'utiliser un tuyau d'arrivée d'eau neuf. Un tuyau ancien pourrait se briser à la suite d'un durcissement, ce qui pourrait causer une fuite d'eau et endommager vos biens.

Le lave-vaisselle doit être raccordé à une source d'eau chaude avec une température comprise entre 120 °F (49 °C) et 149 °F (65 °C). Plage de température conseillée pour un résultat de lavage optimal et pour un temps de cycle plus court. Une température supérieure à 149 °F (65 °C) risque d'endommager la vaisselle.

Assurez-vous que l'eau alimentée dans le lave-vaisselle ne peut pas geler, car la glace pourrait endommager les tuyaux, les valves, la pompe ou d'autres composants.

Les lave-vaisselle domestiques certifiés ne sont pas conçus pour une utilisation dans des établissements de restauration sous licence.

(Norme NSF/ANSI184 pour les lave-vaisselle domestiques)

Pour obtenir une liste complète des consignes de sécurité, veuillez vous reporter au Manuel d'utilisation.

Avant d'utiliser votre lave-vaisselle

AVERTISSEMENT



Risque de basculement

- N'utilisez pas le lave-vaisselle avant qu'il ne soit correctement installé.
- N'appuyez pas sur la porte du lave-vaisselle lorsque celle-ci est ouverte.
- Ne placez rien de trop lourd sur la porte du lave-vaisselle lorsque celle-ci est ouverte.



Risque d'électrocution

Le non-respect de ces consignes peut entraîner un incendie ou une électrocution et avoir des conséquences mortelles.

- Reliez le lave-vaisselle à la terre.
- Connectez le fil de terre au connecteur de terre vert de la boîte de jonction.
- N'utilisez pas de rallonge.

Afin de réduire les risques d'incendie, d'électrocution ou de blessures, l'installateur doit veiller à ce que le lave-vaisselle soit entièrement encastré au moment de l'installation.

CONSERVEZ SOIGNEUSEMENT CES CONSIGNES

Préparation à l'installation

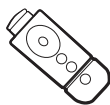
Assurez-vous que toutes les préparations nécessaires ont été effectuées avant de commencer le processus d'installation.

Pièces et outils nécessaires

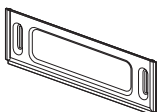
Avant de commencer l'installation, réunissez l'ensemble des pièces et outils nécessaires afin de gagner du temps et de simplifier le processus.

Pièces fournies

Les pièces suivantes sont fournies avec le lave-vaisselle. Vérifiez que toutes les pièces sont bien présentes lors du déballage.



Support de montage (x2)



Plaque de protection



Vis (x4), pour le support de montage



Autocollant de protection



Bouchon en plastique (x4)



Vis noire (x2), pour la plaque de protection



Vis (x2), pour la porte sur mesure



Bouchon en plastique (x2), pour la porte sur mesure



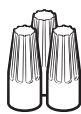
Outil d'ouverture du hublot

Pièces à acheter séparément

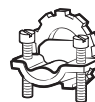
Les pièces suivantes ne sont pas fournies avec le lave-vaisselle et doivent être achetées séparément.



Câble d'alimentation



Capuchon de connexion pour fils (x3)



Réducteur de tension



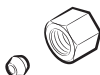
Ruban isolant et ruban pour conduits standard



Tuyau d'arrivée d'eau chaude



Raccord à 90° de $\frac{3}{4}$ "



Raccords pour tuyaux



Coupure antirefoulement



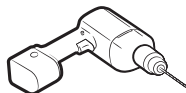
Collier de serrage

Recommandations pour les pièces non fournies

Tuyau d'arrivée d'eau chaude	<ul style="list-style-type: none"> • Diamètre extérieur : $\frac{3}{8}$" minimum • Matériau : cuivre ou acier inoxydable tressé avec raccord à compression <p>⚠ AVERTISSEMENT N'utilisez pas de tuyaux d'arrivée d'eau en plastique, car ils peuvent se détériorer et engendrer des fuites.</p>
Raccord à 90°	<ul style="list-style-type: none"> • Une extrémité avec des filetages NPT externes de $\frac{3}{4}$" et l'autre extrémité doit s'adapter sur votre tuyau d'arrivée d'eau chaude (tuyau en cuivre avec raccords à compression ou tuyau en acier inoxydable tressé).
Câble d'alimentation	<ul style="list-style-type: none"> • Câble 12-2 gainé avec mise à la terre. <p>📖 REMARQUE Certains codes locaux peuvent exiger une gaine métallique de style BX pour le câble d'alimentation.</p>

Préparation à l'installation

Outils nécessaires



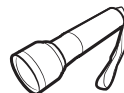
Perceuse électrique



Lunettes de sécurité



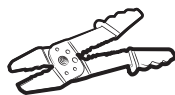
Gants



Lampe de poche



Clé à molette



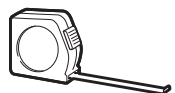
Pince à dénuder



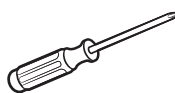
Pince



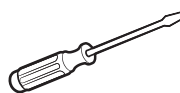
Pince coupante



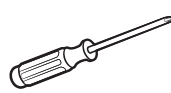
Mètre ruban



Tournevis cruciforme



Tournevis plat



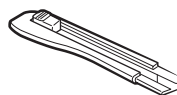
Tournevis Torx T20



Crayon



Coupe-tube



Cutter



Scie-cloche



Niveau



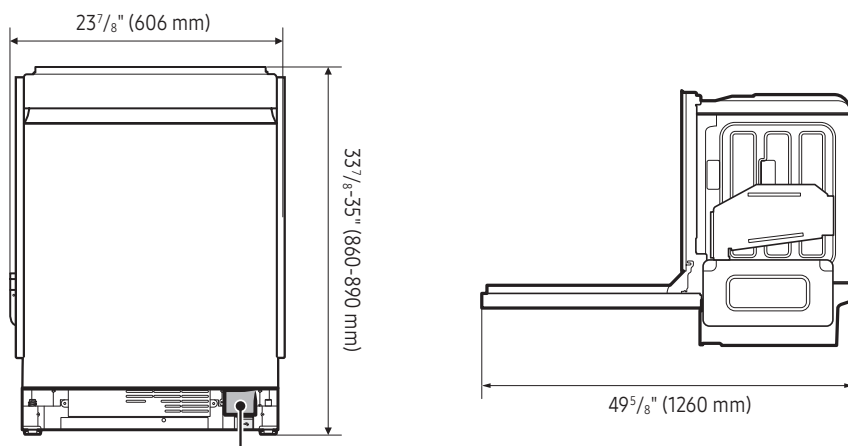
Clé hexagonale



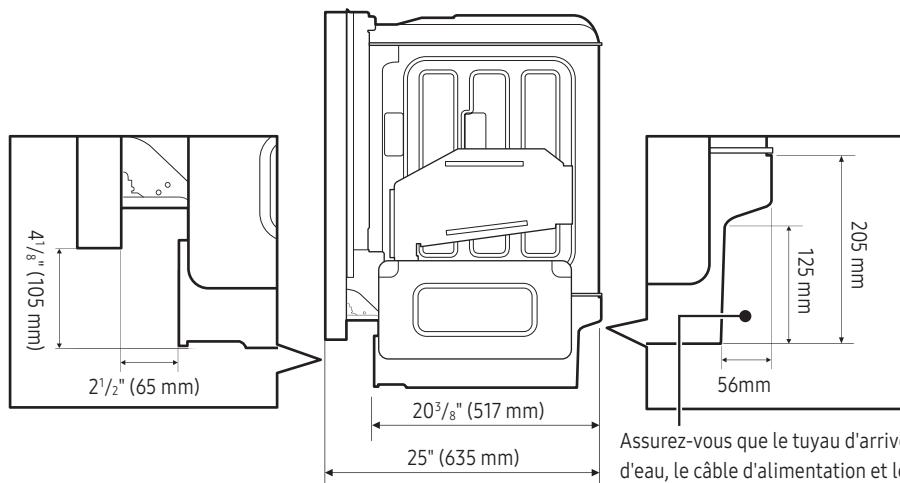
Ventouse

Dimensions

Appareil



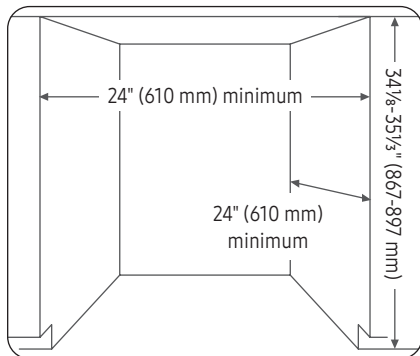
Boîte de jonction



Assurez-vous que le tuyau d'arrivée d'eau, le câble d'alimentation et le tuyau d'évacuation soient disposés au sein de l'espace désigné, situé à l'arrière du lave-vaisselle.

Préparation à l'installation

Meuble



Conditions indispensables à l'installation

Vérification de la compatibilité

Si vous remplacez un ancien lave-vaisselle, vous devez vérifier que les raccordements existants du lave-vaisselle actuel sont compatibles avec le nouveau lave-vaisselle. Remplacez les raccordements existants si nécessaire.

Éléments électriques

- **États-Unis :** procédez à l'installation conformément au National Electrical Code, ainsi qu'aux codes nationaux, municipaux ou locaux.
- **Canada :** procédez à l'installation conformément au code canadien de l'électricité CSA C22.1, ainsi qu'aux codes provinciaux, municipaux ou locaux.
- **Pour les raccordements de câbles directs :**
 - Utilisez un câble en cuivre flexible avec armature ou gaine non métallique, doté d'un fil de mise à la terre, conforme à la législation en vigueur en matière de câblage.

⚠ AVERTISSEMENT

- N'utilisez PAS de rallonge.
- Utilisez exclusivement le cordon d'alimentation qui est fourni avec le lave-vaisselle.
- Ne branchez PAS le câble de mise à la terre sur des canalisations en plastique, des conduites de gaz ou des conduites d'eau chaude.
- Le mauvais branchement des conducteurs de mise à la terre peut provoquer un choc électrique.

Alimentation en eau

- **Pression :** assurez-vous que la pression de l'arrivée d'eau chaude est comprise entre 20 et 120 psi (140 et 830 kPa).
- **Température de l'eau :** réglez le chauffe-eau de façon à ce que l'eau qu'il délivre se situe entre 120 °F (49 °C) et 149 °F (65 °C).
 - Cette plage de températures garantit des résultats de lavage optimaux et raccourcit le temps de cycle.
 - Pour éviter d'endommager la vaisselle, la température de l'eau ne doit pas dépasser 149 °F (65 °C).

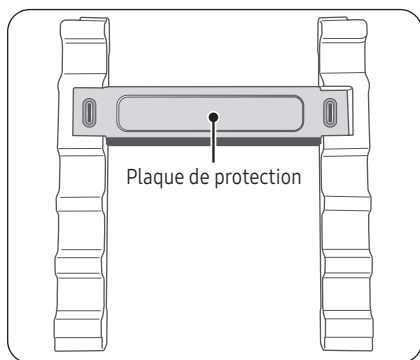
Emplacement

Choisissez un emplacement répondant aux conditions suivantes.

- Le sol de la pièce choisie doit pouvoir supporter le poids du lave-vaisselle.
- Choisissez un endroit situé près d'un évier, à proximité d'une arrivée d'eau, d'un système de vidange et d'une prise électrique.
 - Pour que la vidange puisse se faire correctement, installez le lave-vaisselle à moins de 9,8 pieds (3 m) de l'évier.
- Vous devez pouvoir charger la vaisselle facilement.
- Choisissez un emplacement qui vous permette d'ouvrir facilement la porte du lave-vaisselle et assurez-vous qu'il y ait un espace suffisant entre le lave-vaisselle et les parois des meubles l'entourant (au moins 0,1 pouce (2 mm)).
 - Si le lave-vaisselle est installé dans un angle, assurez-vous que ses côtés se trouvent à plus de 2 pouces (50 mm) du mur et du meuble situé à sa droite et à sa gauche.
- La paroi arrière ne doit pas être obstruée.
- Assurez-vous que le meuble du lave-vaisselle est bien fixé au sol. Si le meuble n'est pas fixé, il peut décupler le bruit généré par le lave-vaisselle pendant son utilisation.

Déballage et vérification du lave-vaisselle

Déballer le lave-vaisselle dans un espace ouvert et dégagé, sans obstacles autour ou au-dessus. Conservez tous les matériaux d'emballage jusqu'à ce que l'installation soit terminée et que le lave-vaisselle soit entièrement opérationnel, afin de vous assurer d'avoir bien sorti tous les composants présents à l'intérieur de ces emballages avant de les mettre au rebut.



1. Placez le carton à la verticale.
2. Coupez les sangles maintenant l'emballage fermé.
3. Déballer l'appareil et mettez de côté les sangles et les matériaux d'emballage.
4. Trouvez la plaque de protection attachée aux matériaux d'emballage et mettez-la de côté.
5. Inspectez le lave-vaisselle pour vérifier qu'il ne présente pas de dommages.
 - Reportez-vous à la section **Liste d'inspections** pour obtenir des détails.
6. Soulevez le lave-vaisselle de sa base en carton, puis posez-le sur le sol.

⚠ ATTENTION

- Soulevez toujours le lave-vaisselle pour le déplacer. Si vous faites glisser le lave-vaisselle, vous risquez d'endommager ses pieds ainsi que la surface en dessous.
- Ne retirez pas le revêtement d'absorption acoustique situé autour de l'extérieur de la cuve du lave-vaisselle.
- Pour protéger les composants internes, laissez l'emballage intérieur jusqu'à ce que l'installation soit terminée.

Préparation à l'installation

Liste d'inspections

Éléments mécaniques	<ul style="list-style-type: none">• Vérifiez que l'ensemble de la base en plastique est intact.• Vérifiez que les pieds de mise à niveau sont en place et réglables pour pouvoir effectuer la mise à niveau du lave-vaisselle.• Vérifiez que tous les composants visibles en bas de l'appareil sont intacts et solidement fixés.• Testez le loquet de la porte et les charnières, et vérifiez que la porte est solidement fixée.
Éléments de plomberie	<ul style="list-style-type: none">• Inspectez la vanne d'arrivée d'eau située à l'arrière du lave-vaisselle. (En bas à droite) Assurez-vous que la vanne d'arrivée d'eau est solidement fixée, que les filetages sont lisses et que la zone est propre.• Inspectez le tuyau d'évacuation pour vérifier qu'il ne présente pas de trous ou déformations susceptibles d'engendrer des fuites.
Éléments électriques	<ul style="list-style-type: none">• Vérifiez que le cache de la boîte de jonction, en bas à droite de la partie avant du lave-vaisselle, est solidement fixé.• Vérifiez que la boîte de jonction n'est pas endommagée et qu'elle est solidement fixée.
État général	<ul style="list-style-type: none">• Inspectez le panneau avant pour vérifier l'absence de piqûres ou rayures.• Inspectez les bords de la porte pour vérifier l'absence de rugosités ou fissures.• Vérifiez que le panneau de commande est en bon état et non rayé.
Pièces	<ul style="list-style-type: none">• Vérifiez que toutes les pièces répertoriées à la section Pièces et outils nécessaires sont bien présentes et ne sont pas endommagées.

Installation

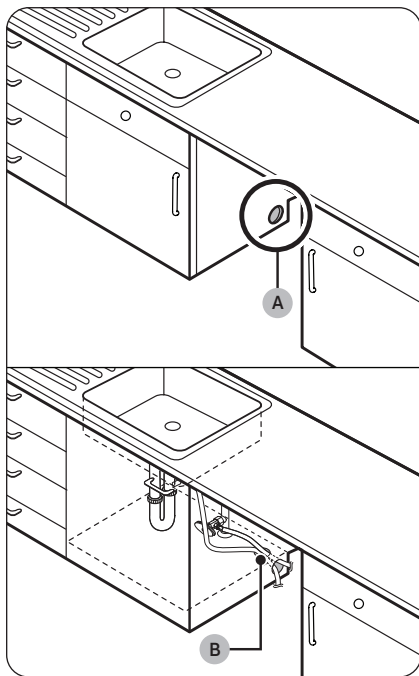
Assurez-vous que vous ou votre installateur suivez attentivement ces instructions, de sorte de garantir le bon fonctionnement du lave-vaisselle et d'éviter tout risque de blessures pendant l'utilisation.

⚠ ATTENTION

- Assurez-vous que le disjoncteur et la vanne d'arrivée d'eau sont bien coupés.
- Rétractez complètement les pieds de mise à niveau avant de déplacer le lave-vaisselle, afin d'éviter tout dommage.

Préparation du meuble

Si vous installez le lave-vaisselle dans un nouvel emplacement, suivez ces instructions avant de procéder à l'installation.



1. À l'aide d'une scie-cloche de 2 1/2", percez un **trou (A)** sur le côté du meuble qui porte l'évier.

📖 REMARQUE

Il se peut que vous deviez effectuer un trou supplémentaire en fonction de l'emplacement de la prise électrique.

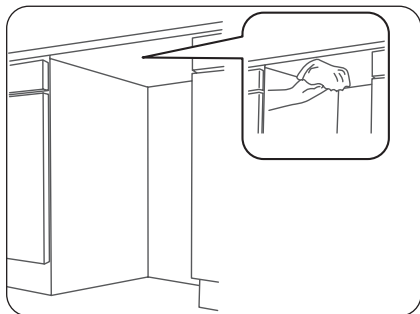
2. Si la base à l'intérieur du meuble de l'évier est surélevée par rapport au sol de la cuisine et se trouve plus haute que les raccords du lave-vaisselle, effectuez un autre **trou (B)** dans la base intérieure du meuble.

⚠ ATTENTION

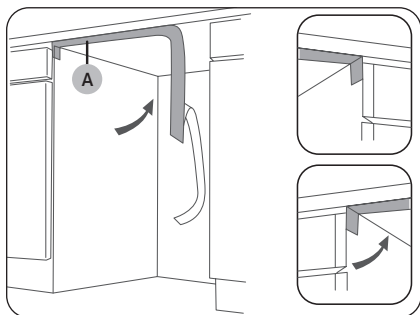
Avant d'insérer le tuyau d'évacuation à travers le trou, lissez les bords du trou pour éviter d'endommager le tuyau d'évacuation. Si les bords sont tranchants, ils risquent d'endommager le tuyau d'évacuation et d'engendrer des fuites.

- Pour les meubles en métal, recouvrez les bords tranchants de ruban isolant ou de ruban pour conduits.

Installation



3. Nettoyez la partie inférieure du plan de travail.



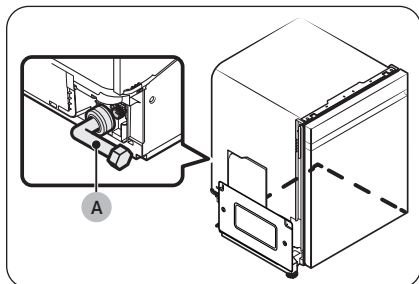
4. Appelez l'**autocollant de protection (A)**.

- L'autocollant de protection évite tout dommage lorsque vous faites glisser le lave-vaisselle vers l'intérieur et l'extérieur du meuble pendant l'installation.
- La longueur de l'autocollant de protection est de 26 pouces (660 mm).

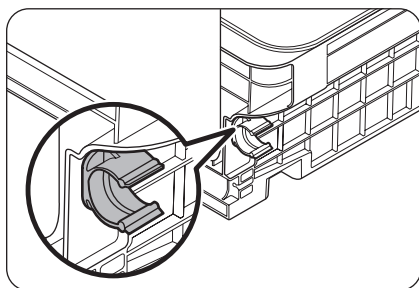
Préparation du lave-vaisselle en vue de son installation

⚠ ATTENTION

- Assurez-vous que le disjoncteur et la vanne d'arrivée d'eau sont bien coupés.
- Rétractez complètement les pieds de mise à niveau avant de déplacer le lave-vaisselle, afin d'éviter tout dommage.



1. Installez le **raccord à 90° (A)** de 3/4" sur la vanne d'arrivée d'eau.



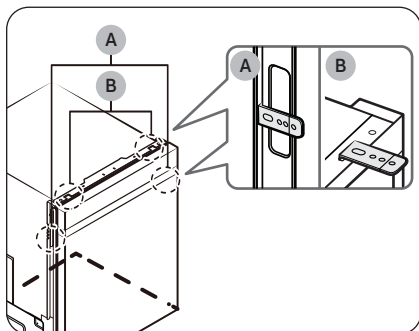
2. Détachez le tuyau d'évacuation qui est attaché à l'arrière du lave-vaisselle.
 - Vérifiez l'absence de pincements ou de coudes excessifs qui pourraient restreindre le débit d'eau.

📖 REMARQUE

Vous pouvez utiliser le support de tuyau d'évacuation pour soutenir le tuyau d'évacuation s'il doit être dirigé vers le côté droit du lave-vaisselle.

- Le support de tuyau d'évacuation peut être retiré et repositionné à 3 emplacements différents.
- Pour le repositionner, pressez légèrement le support et tournez-le vers la gauche pour le libérer, puis tirez-le vers l'extérieur. Ensuite, insérez-le à la position souhaitée et tournez-le vers la droite pour le verrouiller en place.

Installation



- Fixez les deux supports de montage en haut ou sur les côtés du lave-vaisselle.
 - A : si le plan de travail est composé d'un matériau non perçable, fixez un support de chaque côté (à gauche et à droite).
 - B : si le plan de travail est composé d'un matériau perçable, fixez les supports en haut.

Branchement du câble d'alimentation

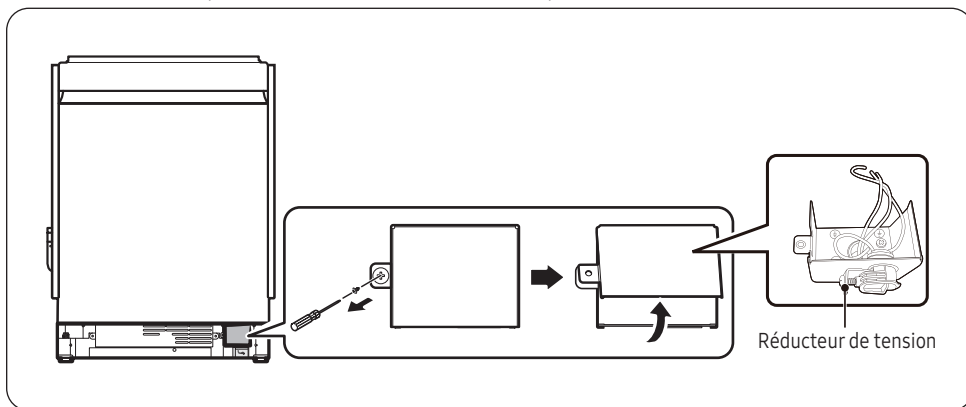
⚠ AVERTISSEMENT

Risque d'électrocution

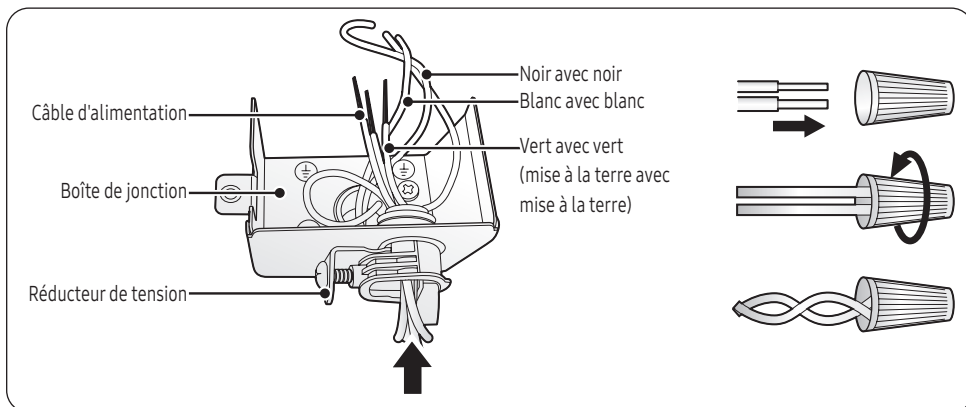
- Pour éviter toute électrocution, ne travaillez pas avec un circuit sous tension. Cela pourrait entraîner des blessures graves voire mortelles. Seuls des électriciens qualifiés doivent effectuer des travaux électriques. Ne tentez aucune action sur le circuit d'alimentation électrique du lave-vaisselle tant que vous n'êtes pas certain que le circuit est hors tension.

Risque d'incendie

- Pour éviter tout risque d'incendie, assurez-vous que les circuits électriques sont correctement installés.
- Seuls des électriciens qualifiés doivent effectuer des travaux électriques.



- Retirez le cache de la boîte de jonction.
 - Desserrez la vis située sur le côté gauche de la boîte de jonction.
 - Vous verrez trois fils dans la boîte de jonction, notamment le fil de mise à la terre.
- Installez un réducteur de tension.

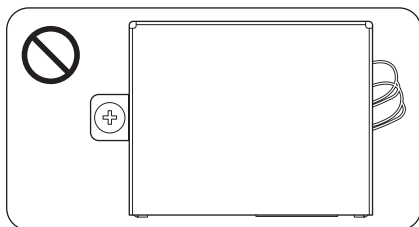


3. Insérez le câble d'alimentation à travers le réducteur de tension puis dans la boîte de jonction solidement.
4. Raccordez les trois fils à l'aide de capuchons de connexion pour fils.
 - Tout d'abord, faites correspondre les fils ayant la même couleur. Ensuite, insérez chaque paire de fils dans un capuchon de connexion pour fils et tournez dans le sens horaire pour verrouiller en place.

REMARQUE

Veillez à ne pas tourner le capuchon de connexion pour fils dans le sens antihoraire.

5. Vérifiez une nouvelle fois que chaque fils est bien relié à sa couleur correspondante (blanc avec blanc, noir avec noir, vert avec vert).
6. Disposez tous les fils dans la boîte de jonction, puis fixez le cache.



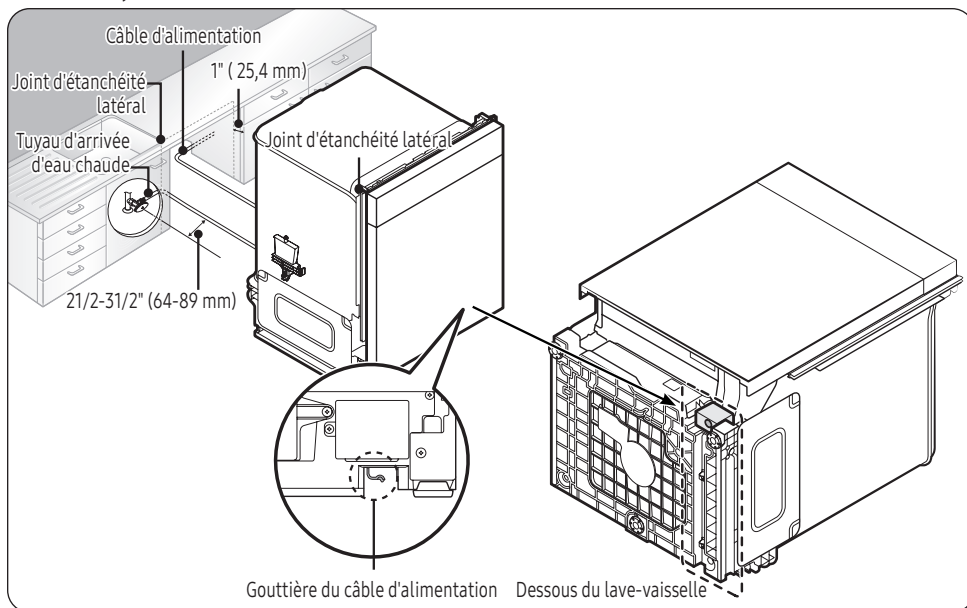
ATTENTION

Assurez-vous que les fils ne sont pas pincés et ne ressortent pas de la boîte de jonction.

Installation

Installation du lave-vaisselle dans le meuble

1. Placez le lave-vaisselle devant le meuble.
2. Reliez le tuyau d'eau chaude au raccord à 90°.



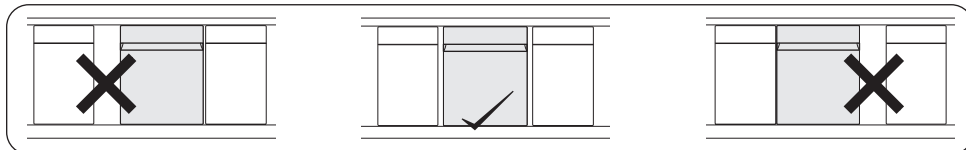
3. Disposez correctement le câble d'alimentation, relié à la boîte de jonction, à l'arrière du lave-vaisselle.
 - Utilisez les crochets de la gouttière du câble d'alimentation, à l'arrière du lave-vaisselle, pour acheminer correctement le câble d'alimentation.
4. Tirez la fiche d'alimentation, le tuyau d'arrivée d'eau et le tuyau d'évacuation à travers le trou que vous avez précédemment effectué dans la paroi du meuble.
5. Faites glisser doucement le lave-vaisselle dans le meuble.
 - Pour éviter tout écrasement, coude ou pincement du tuyau d'arrivée d'eau, du tuyau d'évacuation ou du câble d'alimentation, demandez à une deuxième personne de tirer leur excédent de longueur pendant que vous faites glisser le lave-vaisselle à l'intérieur du meuble.
 - Assurez-vous que les joints d'étanchéité latéraux sont parfaitement insérés, de $\frac{13}{16}$ à 1 pouce vers l'intérieur en partant du bord avant du meuble de cuisine. En effet, un mauvais positionnement pourrait accroître le bruit généré pendant l'utilisation du lave-vaisselle.

⚠ ATTENTION

Assurez-vous que le tuyau d'arrivée d'eau, le tuyau d'évacuation ou le câble d'alimentation n'est pas écrasé, coudé ou pincé.

6. Raccordez le tuyau d'arrivée d'eau à une vanne d'arrivée d'eau chaude sous votre évier.
 - Enroulez du ruban Téflon autour de chaque connexion afin d'empêcher toute fuite d'eau.

7. Raccordez le tuyau d'évacuation à votre évier.
- Reportez-vous à la section **Raccordement du tuyau d'évacuation** pour obtenir des détails.



⚠ ATTENTION

Après avoir mis le lave-vaisselle à l'intérieur du meuble, vérifiez les points suivants.

- Assurez-vous que la porte s'ouvre et se ferme librement, sans interférence avec le meuble.
- Assurez-vous que le lave-vaisselle est placé au centre.

Raccordement du tuyau d'évacuation

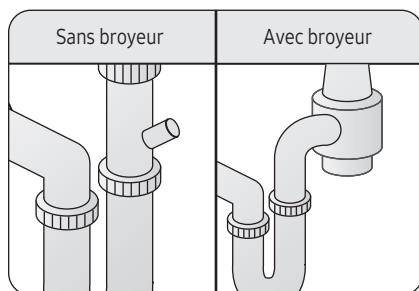
Il existe plusieurs méthodes de raccordement du tuyau d'évacuation pour la vidange. Vérifiez que le raccordement est conforme à vos réglementations locales relatives à l'installation de conduites d'eau.

⚠ ATTENTION

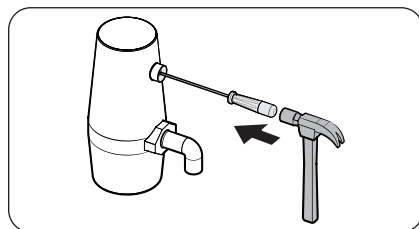
N'étendez pas le tuyau d'évacuation de plus de 3 m.

📖 REMARQUE

Avant de raccorder le tuyau d'évacuation à l'évier, vérifiez l'absence de corps étrangers à l'intérieur du tuyau.



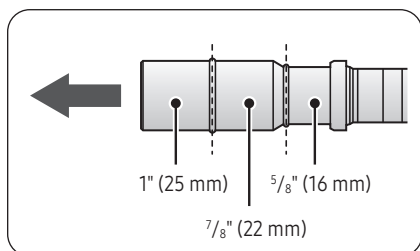
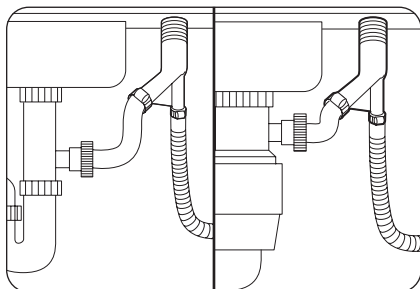
1. Allez voir sous votre évier si vous avez un broyeur de déchets.



📖 REMARQUE

À l'aide d'un marteau, tapotez sur le bouchon dans le raccord du broyeur de déchets pour le retirer avant de raccorder le tuyau d'évacuation.

Installation

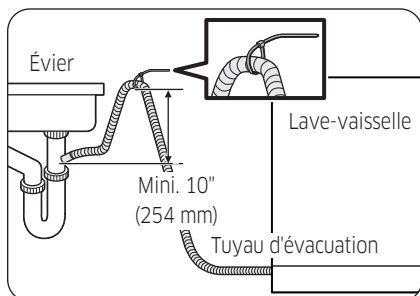


2. Vérifiez si l'installation d'une coupure antirefoulement est nécessaire.
 - Installez la coupure antirefoulement. Ensuite, utilisez un tuyau pour raccorder la sortie de la coupure antirefoulement au système d'évacuation de l'évier ou au broyeur de déchets.
 - Si vous n'avez pas besoin d'installer une coupure antirefoulement, nouez le tuyau d'évacuation. (Reportez-vous à la section **Nouage du tuyau d'évacuation** pour obtenir des détails.)
3. Utilisez un collier de serrage pour raccorder le tuyau d'évacuation à l'entrée de la coupure antirefoulement, au système d'évacuation de l'évier ou au broyeur de déchets.
 - L'extrémité du tuyau d'évacuation a trois diamètres différents pour assurer la compatibilité avec plusieurs tailles. Vous pouvez couper les parties dont vous n'avez pas besoin.
 - Si l'extrémité du tuyau d'évacuation ne s'adapte pas sur le point de raccordement, achetez un adaptateur approprié dans un magasin de plomberie ou une quincaillerie.

⚠ ATTENTION

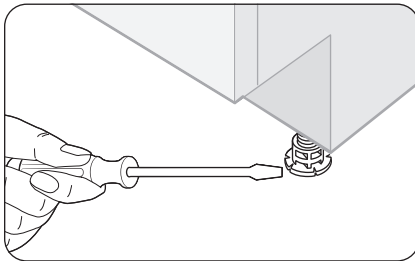
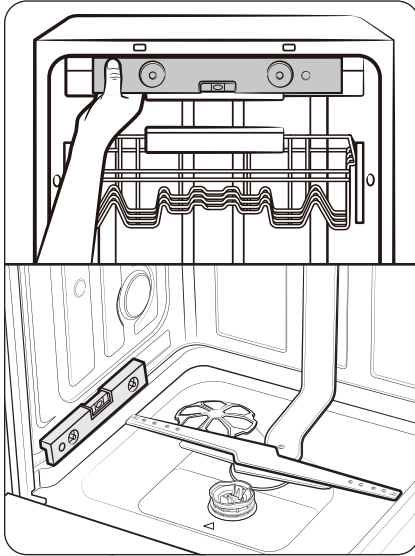
- l'utilisation d'un collier de serrage est obligatoire. Ne pas en utiliser risque d'entraîner des fuites d'eau.
- Soyez prudent lorsque vous coupez l'extrémité du tuyau d'évacuation, car il existe un risque de blessures.
- Ne coupez pas la zone nervurée du tuyau d'évacuation.

Nouage du tuyau d'évacuation



Pour éviter un reflux, raccordez le tuyau d'évacuation sur la paroi latérale ou arrière du meuble à l'aide de serre-câbles ou d'autres dispositifs de fixation. Assurez-vous que le tuyau d'évacuation se situe à une hauteur d'au moins 10 pouces (254 mm) du raccord de l'évier.

Mise à niveau du lave-vaisselle



1. Utilisez le niveau pour vérifier que le lave-vaisselle est bien de niveau d'un côté à l'autre et de l'avant vers l'arrière.

- Utilisez les pieds de mise à niveau avant pour mettre le lave-vaisselle de niveau d'un côté à l'autre.
- Utilisez les pieds de mise à niveau arrière pour mettre le lave-vaisselle de niveau de l'avant vers l'arrière.

2. Utilisez un tournevis plat pour ajuster la hauteur à l'avant.

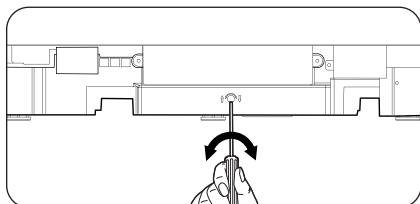
- Pour abaisser l'appareil, tournez le pied de mise à niveau dans le sens horaire.
- Pour rehausser l'appareil, tournez le pied de mise à niveau dans le sens antihoraire.

REMARQUE

Vous pouvez ajuster les pieds de mise à niveau de 1 1/8 pouce maximum.

Toutefois, il est déconseillé de mettre l'appareil de niveau à la hauteur maximale.

Installation



3. Pour régler la hauteur à l'arrière, insérez le tournevis Torx T20 au milieu de la partie basse du lave-vaisselle.

- Pour abaisser l'appareil, tournez le tournevis dans le sens horaire.
- Pour rehausser l'appareil, tournez le tournevis dans le sens antihoraire.

REMARQUE

Pour éviter toute fuite au niveau de la porte, assurez-vous que l'avant du lave-vaisselle n'est pas plus bas que l'arrière.

ATTENTION

- Si l'appareil est installé sans avoir été mis de niveau ou avec un pied de mise à niveau manquant, la porte risque de ne pas se fermer complètement, et cela peut entraîner une fuite de vapeur ou d'eau.
- Lors du réglage de la hauteur du lave-vaisselle, assurez-vous que le joint d'étanchéité supérieur est parfaitement inséré en dessous du haut du meuble de cuisine. Sinon, cela peut découpler le bruit pendant l'utilisation du lave-vaisselle.

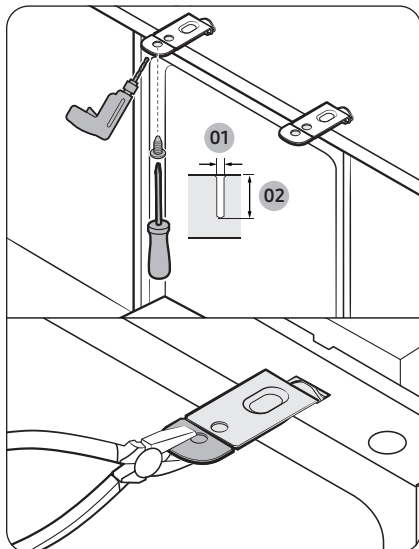
Fixation du lave-vaisselle

Fixez le lave-vaisselle au plan de travail ou aux parois de meuble adjacentes pour garantir plus de stabilité et de sécurité.

⚠ ATTENTION

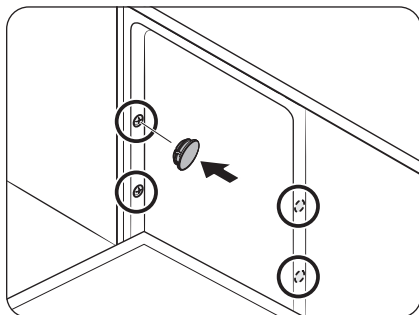
Avant de fixer le lave-vaisselle, placez une grande serviette au fond du lave-vaisselle (recouvrant le puits collecteur) afin d'empêcher que des copeaux de bois ou des vis ne tombent dans le puits collecteur de l'appareil.

Au plan de travail



01 2 mm

02 12 mm



1. Percez délicatement 2 trous de vis sur le dessous de la partie inférieure du plan de travail, un pour chaque support de montage.
 - Assurez-vous que le trou que vous percez soit plus petit que le diamètre de la vis.
2. Insérez les vis fournies dans le trou des supports, puis serrez-les pour fixer le lave-vaisselle au plan de travail.

📖 REMARQUE

Si les supports fournis sont trop longs, coupez-les à l'aide de pinces.

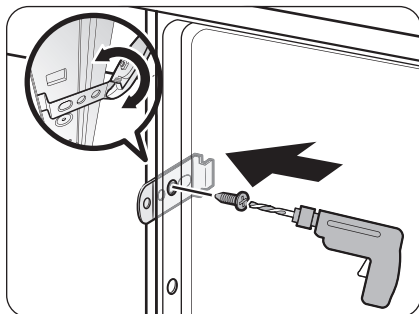
3. Recouvrez les quatre trous avec les bouchons en plastique fournis.

⚠ ATTENTION

- Si les bouchons en plastique ne sont pas installés, cela peut entraîner une fuite d'eau et causer un incendie ou une électrocution.
- Après avoir installé le lave-vaisselle à l'intérieur du meuble, vérifiez si la porte s'ouvre et se ferme librement sans interférence avec le meuble.

Installation

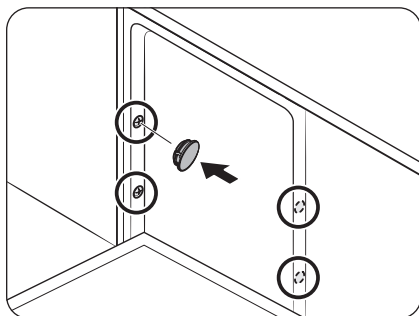
Sur les côtés



1. Percez un trou des deux côtés du meuble de cuisine pour obtenir un total de 2 trous de vis.
 - Assurez-vous que le trou que vous percez soit plus petit que le diamètre de la vis.
2. Serrez les vis fournies dans les trous pour fixer le lave-vaisselle au meuble.

REMARQUE

Si les supports fournis sont trop longs, coupez-les à l'aide de pinces.

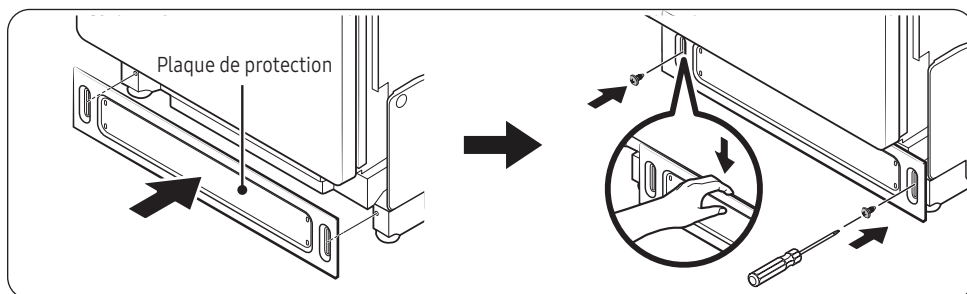


3. Recouvrez les quatre trous avec les bouchons en plastique fournis.

ATTENTION

- Si les bouchons en plastique ne sont pas installés, cela peut entraîner une fuite d'eau et causer un incendie ou une électrocution.
- Après avoir installé le lave-vaisselle à l'intérieur du meuble, vérifiez si la porte s'ouvre et se ferme librement sans interférence avec le meuble.

Fixation de la plaque de protection



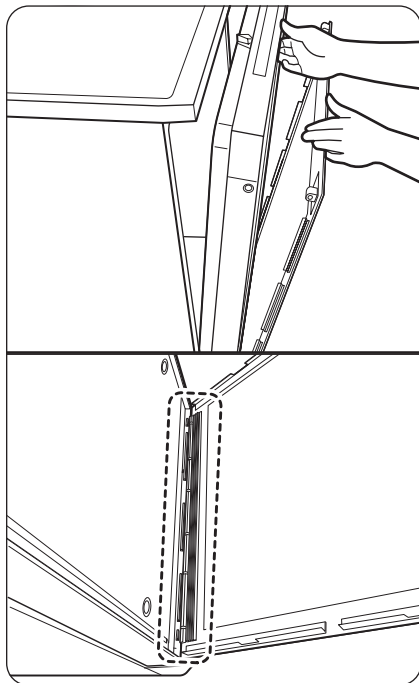
1. Veillez à ce que la jupe en caoutchouc de la porte reste bien tendue.
2. Poussez la plaque de protection depuis l'avant de la jupe en caoutchouc vers l'intérieur, pour la faire passer en dessous de la porte du lave-vaisselle.
 - Vérifiez que les joints d'étanchéité de la plaque de protection sont alignés avec le sol et les parois latérales.
3. Serrez les vis pour fixer la plaque de protection.

⚠ ATTENTION

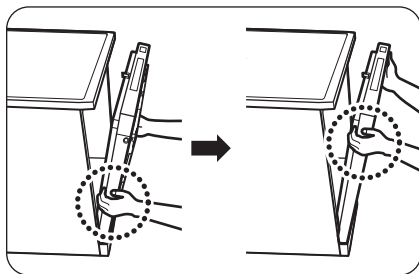
Assurez-vous que la plaque de protection n'interfère pas avec l'utilisation de la porte du lave-vaisselle. Ouvrez la porte à 90° et vérifiez qu'elle bouge librement sans générer de bruit.

Installation

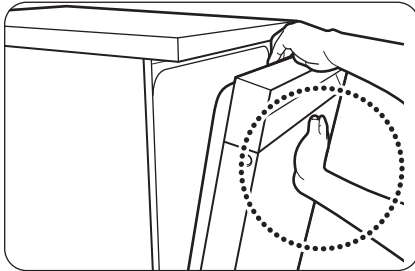
Montage du panneau sur mesure (modèles applicables uniquement)



1. Ouvrez la porte et fixez le panneau personnalisé dans la partie inférieure avant de la porte.



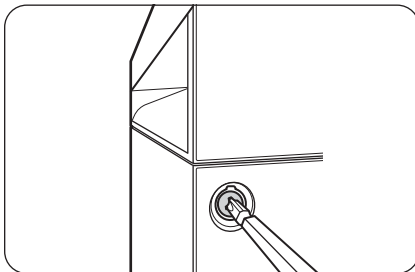
2. Tout en tenant la porte et le panneau personnalisé à deux mains, appuyez uniformément sur le panneau du haut vers le bas pour le verrouiller sur le lave-vaisselle.



3. Lorsque les deux côtés du panneau sont verrouillés en position, appuyez sur la partie centrale supérieure du panneau personnalisé pour le fixer sur le haut de la porte.

REMARQUE

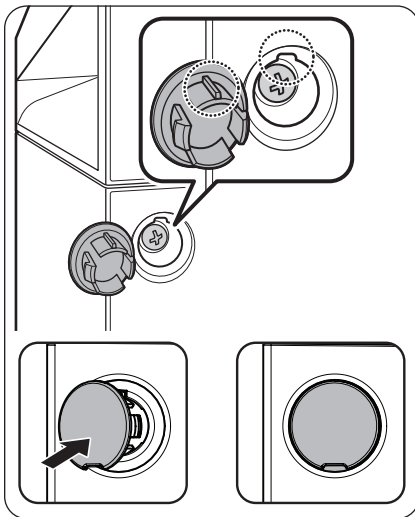
- Vérifiez que le panneau personnalisé s'adapte correctement au lave-vaisselle.
- Le panneau est correctement fixé si l'écart entre le lave-vaisselle et le panneau est inférieur à 0,1 pouce (2 mm). Si l'écart est supérieur à 0,1 pouce (2 mm), refixez le panneau.



4. Déballez les vis et bouchons en plastique fournis (deux pour chaque côté).
5. Serrez les vis des deux côtés du lave-vaisselle.

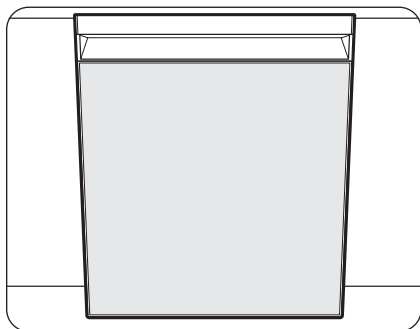
REMARQUE

Lors du serrage de la vis de chaque côté, serrez uniformément afin d'éviter que le panneau ne se décale vers l'un des deux côtés.



6. Insérez les bouchons des deux côtés.
 - Vérifiez que la rainure du bouchon s'insère correctement dans l'orifice du lave-vaisselle, dans la bonne direction.

Installation



7. Le montage du panneau personnalisé est maintenant terminé.

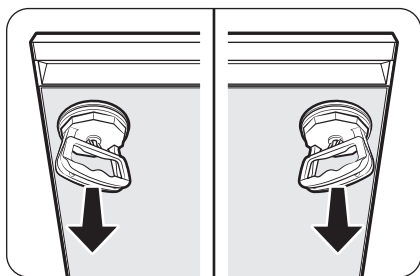
REMARQUE

Après l'insertion du panneau, contrôlez-le visuellement. Si le panneau n'est pas inséré correctement, ou si les écarts ne sont pas uniformes aux quatre coins, réinstallez le panneau. (Reportez-vous à la section **Réinstallation du panneau personnalisé** pour obtenir des détails.)

ATTENTION

Utilisez uniquement le panneau sur mesure Samsung d'origine (disponible auprès des revendeurs Samsung agréés). Il est interdit d'utiliser un panneau obtenu auprès d'un tiers. De plus, l'utilisateur sera entièrement responsable de tout problème découlant de l'utilisation d'un panneau obtenu auprès d'un tiers.

Réinstallation du panneau personnalisé



1. Retirez les vis et bouchons en plastique situés des deux côtés de la porte.
2. Installez la ventouse sur le côté supérieur gauche ou droit du panneau.
3. Tirez la ventouse pour détacher le panneau de la porte.
4. Réinstallez le panneau en suivant les instructions figurant à la section précédente.



ATTENTION

- N'installez pas la ventouse au centre du panneau pour le retirer. Cela pourrait provoquer des dommages sur le panneau.
- Vérifiez que la porte est correctement fixée et stable avant d'utiliser les ventouses.

Essai du lave-vaisselle

1. Ouvrez la porte du lave-vaisselle et retirez toute la mousse, l'emballage en papier et tout ce qui est inutile.
2. Réactivez le disjoncteur et ouvrez la vanne d'arrivée d'eau.
3. Allumez le lave-vaisselle et lancez le cycle Installation intelligente.
 - a. Appuyez sur **Paramètres**, puis sélectionnez **Départ différé**.
 - b. Appuyez sur < et sur > pour régler le temps sur « 17 ».
 - c. Laissez votre doigt appuyé sur **Départ** jusqu'à ce que le message « AS » apparaisse à l'écran.
 - d. Appuyez sur **Départ** et fermez la porte.
 - e. Le cycle Installation intelligente démarre et s'exécute pendant 7 minutes. Ensuite, la porte du lave-vaisselle s'ouvre et le chiffre « 5 » clignote pendant environ 1 minute.
 - f. Une fois le cycle Installation intelligente terminé, le message « Ot » s'affiche à l'écran.

ATTENTION

Vérifiez l'absence de fuites d'eau aux deux extrémités du tuyau d'arrivée d'eau et au niveau du raccord du tuyau d'évacuation.

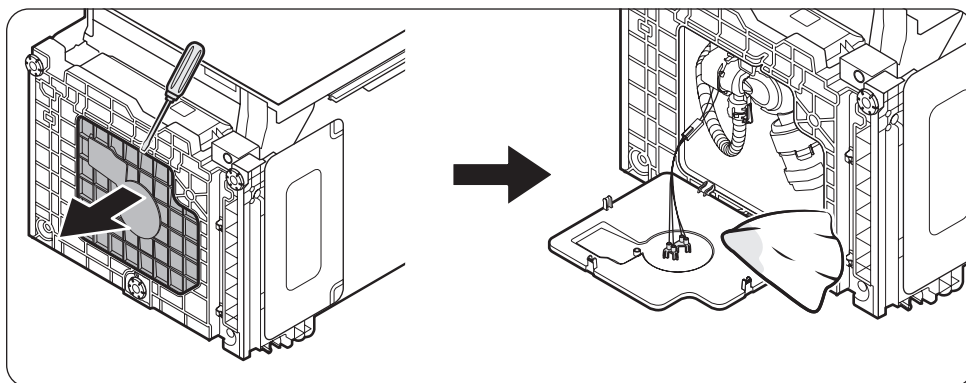
4. En l'absence de problèmes, éteignez le lave-vaisselle.
 - Si vous détectez une fuite, reportez-vous à la section **Gestion des fuites d'eau**.

Installation

Gestion des fuites d'eau

Si vous voyez le code de contrôle des fuites (LC) s'afficher sur le panneau de commande après l'essai, suivez ces instructions.

1. Laissez votre doigt appuyé sur le bouton **Départ** pendant plus de 3 secondes pour commencer la vidange.
2. Une fois la vidange terminée, débranchez le lave-vaisselle et fermez la vanne d'arrivée d'eau.
3. Vérifiez si la vanne d'arrivée d'eau fuit.
 - Si la fuite a lieu au niveau de la vanne d'arrivée d'eau, recommencez le branchement du raccord à 90° sur le tuyau d'arrivée d'eau chaude.



4. Après avoir rebranché le coude à 90° sur le tuyau d'arrivée d'eau chaude, allongez le lave-vaisselle au sol et essuyez toute trace d'humidité au niveau du capteur de fuite d'eau. (Reportez-vous à l'illustration.)
5. Branchez le lave-vaisselle et ouvrez la vanne d'arrivée d'eau.
6. Exécutez le cycle Installation intelligente une nouvelle fois.

REMARQUE

Si le code de contrôle des fuites (LC) demeure affiché à l'écran après avoir effectué les étapes indiquées, arrêtez l'installation et communiquez avec un centre de dépannage local pour obtenir de l'aide.

Annexe

Caractéristiques techniques

Alimentation	CA 120 V, 15 A, 60 Hz
Pression d'eau	20 à 120 psi (140 à 830 kPa)
Dimensions (largeur x profondeur x hauteur)	23 ⁷ / ₈ x 25 x 33 ⁷ / ₈ pouces (606 x 635 x 860 mm)
Température minimale de l'arrivée d'eau	120 °F (49 °C)

REMARQUE

Les caractéristiques techniques sont susceptibles d'être modifiées sans préavis, à des fins d'amélioration de la qualité. Le lave-vaisselle peut différer des illustrations présentées dans le présent manuel.

SAMSUNG