

Dishwasher

User manual

DW90F89*****



Scan the QR code* or visit
www.samsung.com/span
to view our helpful
How-to Videos and Live Shows

* Requires reader to be installed on your smartphone.

bit.ly/samsungdishwashers

SAMSUNG

Contents

Safety information	4
What you need to know about the safety instructions	4
Important safety symbols	4
California Proposition 65 Warning	5
Important safety instructions	5
Before using your dishwasher	7
Regulatory notice	8
Product overview	10
Dishwasher at a glance	10
Before you start	12
Unpacking your dishwasher	12
Unsuitable items for the dishwasher	12
Basic use of racks	13
Detergent compartment	25
Rinse aid compartment	27
SmartThings	28
Open Source announcement	31
Using Bixby Voice Recognition	32
Operations	33
Control panel	33
Cycle overview	35
Operating a cycle	36
Settings	37
Special features	40
Maintenance	42
Cleaning	42
Long-term care	48
Troubleshooting	49
Checkpoints	49
Information codes	51

Appendix	53
Cycle chart	53
Helping the environment	55
Specifications	55
Warranty	56
Warranty (U.S.A)	56
Warranty (CANADA)	59

Safety information

Congratulations on your new Samsung dishwasher. This manual contains important information on the installation, use, and care of your appliance. Please take time to read this manual to take full advantage of your dishwasher's many benefits and features.

What you need to know about the safety instructions

Warnings and Important Safety Instructions in this manual do not cover all possible conditions and situations that may occur. It is your responsibility to use common sense, caution, and care when installing, maintaining, and operating your dishwasher.

Important safety symbols

What the icons and signs in this user manual mean:

 **WARNING**

Hazards or unsafe practices that may result in **severe personal injury or death**.

 **CAUTION**

Hazards or unsafe practices that may result in **minor personal injury or property damage**.

 **NOTE**

Indicates that a risk of personal injury or material damage exists.

These warning signs are here to prevent injury to you and others.

Please follow them explicitly.

After reading this section, keep it in a safe place for future reference.

SAVE THESE INSTRUCTIONS

California Proposition 65 Warning

WARNING

Cancer and Reproductive Harm - www.P65Warnings.ca.gov

Important safety instructions

WARNING

When using your dishwasher, follow basic precautions, including the following:

1. Read all instructions before using the dishwasher.
2. Use the dishwasher only for its intended function.
3. Use only detergents or wetting agents recommended for use in a dishwasher and keep them out of the reach of children.
4. When loading items to be washed:
 - locate sharp items so that they are not likely to damage the door seal, and
 - load sharp knives with the handles up to reduce the risk of cut-type injuries.
5. Do not wash plastic items unless they are marked "dishwasher safe" or the equivalent. For plastic items not so marked, check the manufacturer's recommendations.
6. Do not touch the HEATING ELEMENT during or immediately after use.
7. Do not operate your dishwasher unless all ENCLOSURE panels are properly in place.
8. Do not tamper with the controls.
9. Do not abuse, sit on, or stand on the door or dish rack of the dishwasher.
10. To reduce the risk of injury, do not allow children to play in or on the dishwasher.
11. Under certain conditions, hydrogen gas may be produced in a hot-water system that has not been used for two weeks or more. HYDROGEN GAS IS EXPLOSIVE. If the hot-water system has not been used for such a period, before using the dishwasher turn on all hot-water faucets and let the water flow from each for several minutes. This will release any accumulated hydrogen gas. As the gas is flammable, do not smoke or use an open flame during this time.
12. Remove the door to the washing compartment when removing an old dishwasher from service or discarding it.

CAUTION

- After unpacking the dishwasher, keep the packaging out of the reach of children.
- The dishwasher is extremely heavy. Do not attempt to move or carry the dishwasher by yourself. Two or more people are needed to move a dishwasher and avoid potential injuries.
- As with any equipment using electricity, water, and moving parts, potential hazards exist.
- Do not install the dishwasher near electrical components. Keep the dishwasher away from open flames.

SAVE THESE INSTRUCTIONS

Safety information

- Install and level your dishwasher on an a solid, level surface with no carpets floor that can support its weight.
- Your dishwasher must be properly grounded. Never connect it to an ungrounded outlet. See page 7 for more information on grounding your dishwasher.
- Connect the ground wire to the green ground connector in the terminal box.
- After the dishwasher is installed, check that the drain hose is properly connected and that there is no leakage from the hose connectors. If the drain hose is loose, it may cause property damage.
- The water supply line is susceptible to breakage. As time goes by, it becomes less flexible. Check the line periodically. If it is swollen, torn, cut, or there is a water leak, replace it immediately.
- To safely operate this appliance, familiarize yourself with its operations and exercise care when using it.
- Do not put gasoline, solvents, or other flammable materials inside the dishwasher. Do not wash dishes exposed to these materials.
- Keep your dishwasher detergent out of the reach of children. Detergent has an adverse effect on human organs. It contains elements for polishing and is corrosive. Avoid letting the detergent come into contact with your skin and eyes.
- Do not push or place pressure on the door when it is open, as this may damage the dishwasher or cause harm.
- Do not allow children to play in or on the dishwasher. They may harm themselves or damage the dishwasher.
- Disconnect the power cord (or set the circuit breaker to off) before servicing your dishwasher.
- Do not repair, replace, or service any part of your dishwasher yourself. Disassembly, repairs, and modifications are permitted by authorized service technicians only. Work done by an unauthorized person may void your warranty.
- Before disposing of your dishwasher, remove the door of the washing compartment or the door latch so that children or small animals cannot get trapped inside.
- If the dishwasher is left unused for an extended period of time, turn off the water supply.
- This dishwasher is intended for residential use only.
- Always be caution when using remote control. You may be exposed to security risks during use, and usage-related problems may also arise due to Internet connectivity issues or incorrect settings.
- Please do not operate the product with living beings (such as a person or an animal) or items that may cause water leakage or explosion.

SAVE THESE INSTRUCTIONS

Before using your dishwasher

 **WARNING**



Tip-Over Hazard

- Do not use the dishwasher until it is correctly installed.
- Do not push down on the dishwasher door when it is open.
- Do not place excessive weight on the dishwasher door when it is open.



Electric Shock Hazard

Failure to follow these instructions can result in death, fire, or electric shock:

- Electrically ground the dishwasher.
- Connect the ground wire to the green ground connector in the junction box.
- Do not use an extension cord.

SAVE THESE INSTRUCTIONS

Safety information

Regulatory notice

FCC Notice

FCC CAUTION:

Any changes or modifications not expressly approved by the party responsible for compliance could void the user's authority to operate the equipment.

This device complies with Part 15 of FCC Rules. Operation is Subject to following two conditions:

1. This device may not cause harmful interference, and
2. This device must accept any interference received including interference that cause undesired operation.

For products sold in the US and Canadian markets, only channels 1–11 are available. You cannot select any other channels.

FCC STATEMENT:

This equipment has been tested and found to comply within the limits for a Class B digital device, pursuant to part 15 of the FCC Rules. These limits are designed to provide reasonable protection against harmful interference in a residential installation.

This equipment generates, uses, and can radiate radio frequency energy and, if not installed and used in accordance with the instructions, may cause harmful interference to radio communications. However, there is no guarantee that interference will not occur in a particular installation. If this equipment does cause harmful interference to radio or television reception, which can be determined by turning the equipment off and on, the user is encouraged to try to correct the interference by one or more of the following measures:

- Reorienting or relocating the receiving antenna
- Increasing the separation between the equipment and receiver
- Connecting the equipment to an outlet that is on a different circuit than the radio or TV.
- Consulting the dealer or an experienced radio/TV technician for help.

SAVE THESE INSTRUCTIONS



FCC RADIATION EXPOSURE STATEMENT:

This equipment complies with FCC radiation exposure limits set forth for an uncontrolled environment. This equipment should be installed and operated so there is at least 8 inches (20 cm) between the radiator and your body. This device and its antenna(s) must not be co-located or operated in conjunction with any other antenna or transmitter.

IC Notice

The term “IC” before the radio certification number only signifies that Industry Canada technical specifications were met. Operation is subject to the following two conditions: (1) this device may not cause interference, and (2) this device must accept any interference, including interference that may cause undesired operation of the device.

This Class B digital apparatus complies with Canadian ICES-003.

Cet appareil numérique de la classe B est conforme à la norme NMB-003 du Canada.

For products sold in the US and Canadian markets, only channels 1–11 are available. You cannot select any other channels.

IC RADIATION EXPOSURE STATEMENT:

This equipment complies with IC RSS-102 radiation exposure limits set forth for an uncontrolled environment. This equipment should be installed and operated so there is at least 8 inches (20 cm) between the radiator and your body. This device and its antenna(s) must not be co-located or operated in conjunction with any other antenna or transmitter.

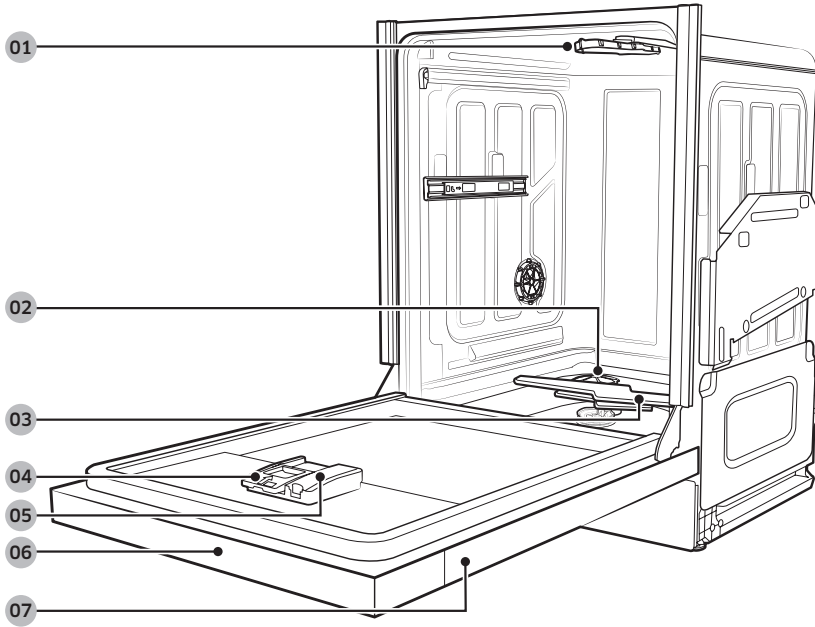


SAVE THESE INSTRUCTIONS



Product overview

Dishwasher at a glance



01 Top spray arm

02 Storm Wash+ nozzle

03 Bottom spray arm

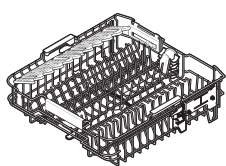
04 Detergent compartment

05 Rinse aid compartment

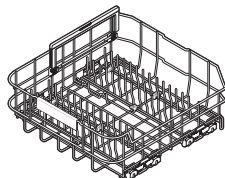
06 Control panel

07 Door

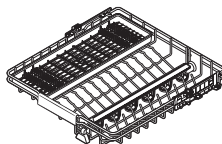
Accessories



Upper rack



Lower rack



3rd rack



Cutlery basket

NOTE

- Depending on the models, the actual appearance of the product and its parts may differ from the figures.
- Ensure that you have the user manual, installation manual, kick plate, and all accessories provided for the installation. (Refer to the Installation manual for a detailed list of provided parts.)

Before you start

Be sure to have your installer follow these instructions closely so that your new dishwasher works properly and you're not at risk of injury when washing dishes.

Unpacking your dishwasher

- Once your new dishwasher has been delivered, carefully unpack it and check for any damage. If the dishwasher has been damaged, note it on the waybill and keep a copy. Do not install the dishwasher, and contact Samsung Customer Service.
- If there is no damage to the product, you can proceed with the installation. If you are going to install it yourself, make sure to read through the installation manual and follow the instructions.
- After unpacking your dishwasher, keep the packaging out of the reach of children to ensure their safety.

Unsuitable items for the dishwasher

WARNING

Only wash items such as glass, porcelain, and cutlery which the manufacturer declares as dishwasher safe. Do not wash aluminum (for example grease filters). The dishwasher may damage aluminum, or in extreme cases, cause a severe chemical reaction.

Do not wash the following items in the dishwasher.

- Copper, brass, tin, ivory, and aluminum items or items with adhesive
- Non-heat resistant plastics
- Craft items, antiques, valuable vases, and decorative glassware
- Pottery or glazed-ceramic items
- Wooden or silver tableware or items that include wooden or silver parts
- Delicate glassware or glassware containing lead crystal. Clouding may occur on the glassware after frequent washing

CAUTION

- Do not wash items covered with ash, sand, wax, lubricating grease, or paint. These materials will damage the dishwasher. Ash does not dissolve and will spread inside the dishwasher.
- Remove food remains such as bones, fruit seeds, etc., and waste such as toothpicks, paper napkins, etc. from your dishes. Food remains and waste can make noise, cause the dishwasher to malfunction, and damage your dishes and dishwasher.

NOTE

Silverware that has contacted food containing sulfur may become discolored. Food with sulfuric content includes egg yolks, onions, mayonnaise, mustard, fish, fish brine, and marinades.

Basic use of racks

NOTE

Depending on the models, the actual appearance of the racks and the loading method may differ from the figures.

Loading the lower rack



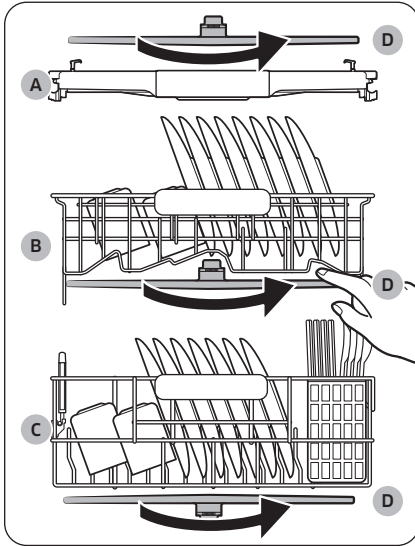
10 place settings

- Lower rack is for loading large items such as pots, pans, lids, serving dishes, and bowls.
 - Place the items in a way that water could easily flow out.
 - You can also use the lower rack to load smaller items using the folding tines and glass supports.
 - You can lift the upper rack to gain more space to load larger items.



12 place settings

Before you start

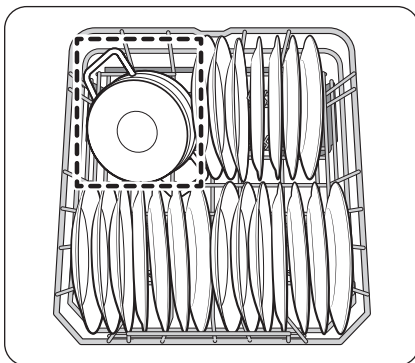


⚠ CAUTION

- Make sure the loaded items do not interfere with the rotation of the middle and bottom spray arms.
 - Check the rotation of the spray arms for any interference with your hand before starting the dishwasher.

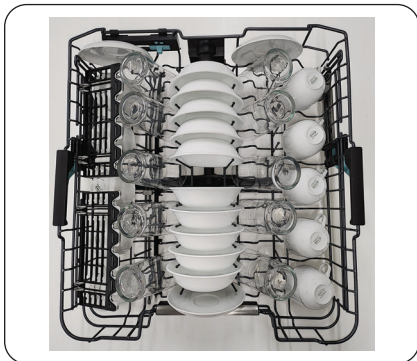
- A. 3rd rack
- B. Upper rack
- C. Lower rack
- D. Spray arm

Loading the Storm Wash+ Area



For more effective cleaning, load larger items into the Storm Wash+ area on the left side of the lower rack (Dotted area in the figure). When you select Storm Wash+, the dishwasher supplies additional power to reinforce the water jet in the Storm Wash+ area.

Loading the upper rack



10 place settings



12 place settings

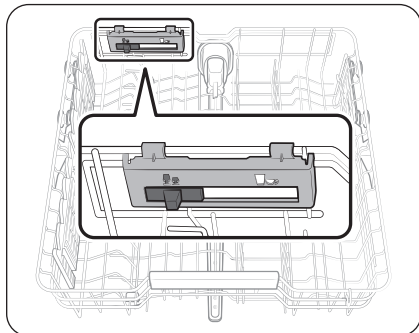
- The upper rack is for small plates, mugs, glasses, and plastic items.
 - You can adjust the position of the upper rack to use the internal space flexibly.

⚠ CAUTION

- Make sure the loaded items do not interfere with the rotation of the middle spray arm.
 - Check the rotation of the spray arm with your hand before starting the dishwasher.
- When loading items, completely pull out the upper rack to prevent bumping the items to the counter while loading.

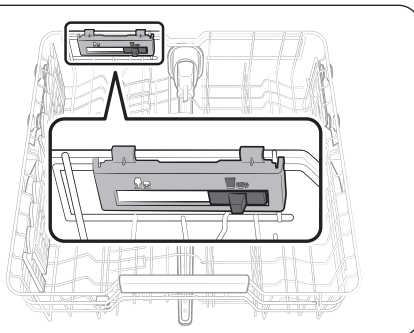
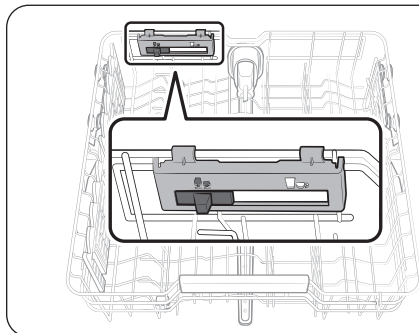
Before you start

Using the guide tines

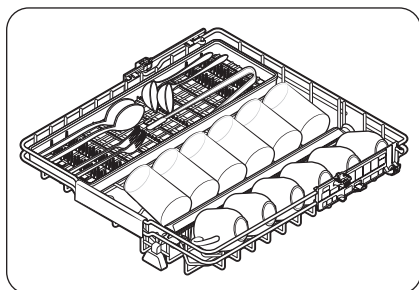


You can use the upper rack's guide tines to load items onto the upper rack in various ways. Move the slider to the right or left to adjust the guide tines suitable for loading the following items.

- Right: Standard wine glasses or brandy glasses
- Left: Standard wine glasses or shorter wine glasses



Loading the 3rd rack (Applicable models only)

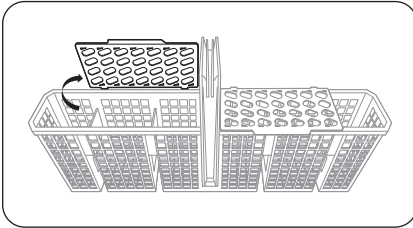


You can load flatware on the left side of the rack and cups and glasses (that are shorter than 6 inches) on the right side of the rack.

NOTE

Load cups and glasses with their openings facing the cup wash spray nozzle for effective cleaning.

Loading the cutlery basket

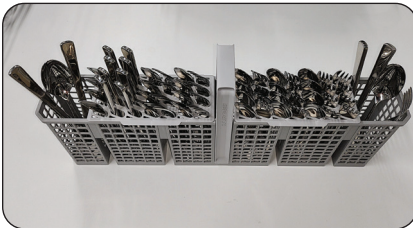


You can use the cutlery basket with the lids open or closed.



Close the lids and place knives, spoons, or forks into the holes on the lids to prevent chipping and discoloration.

10 place settings



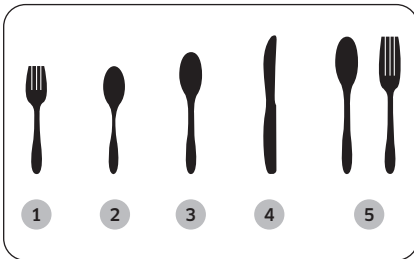
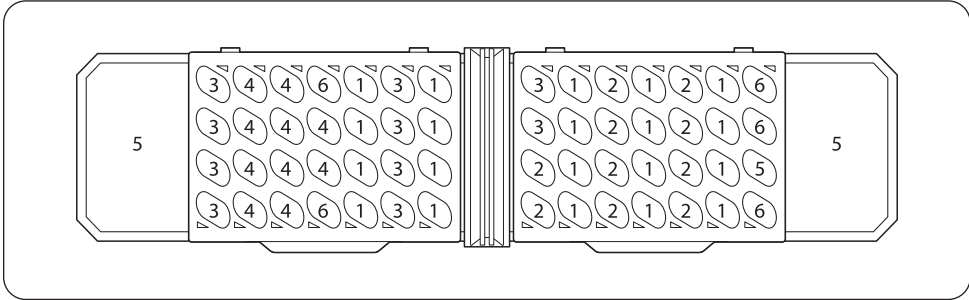
12 place settings

NOTE

Do not let any items extend through the bottom. Do not load chopsticks in the cutlery basket. Load chopsticks on the 3rd rack.

Before you start

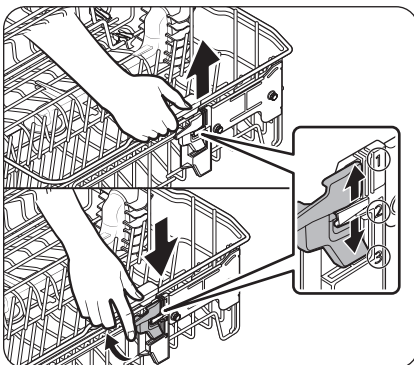
Recommended placement of items in the cutlery basket



1. Forks
2. Teaspoons
3. Dinner spoons
4. Knives
5. Serving spoons and Serving forks
6. Remaining items

Adjusting the position of the upper rack

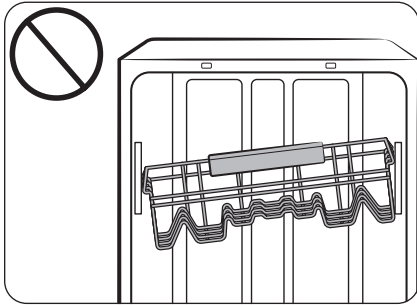
You can adjust the position of the upper rack to adjust the loading space according to the items you load to the upper and lower racks.



- To raise the upper rack, hold the handles on both sides of the rack and gently lift it upward until it locks into the desired position.
- To lower the upper rack, hold the handles on both sides and press the levers beneath the handles while gently lowering the rack until it locks into the desired position.

NOTE

You can adjust the upper rack's height from 3 different levels.



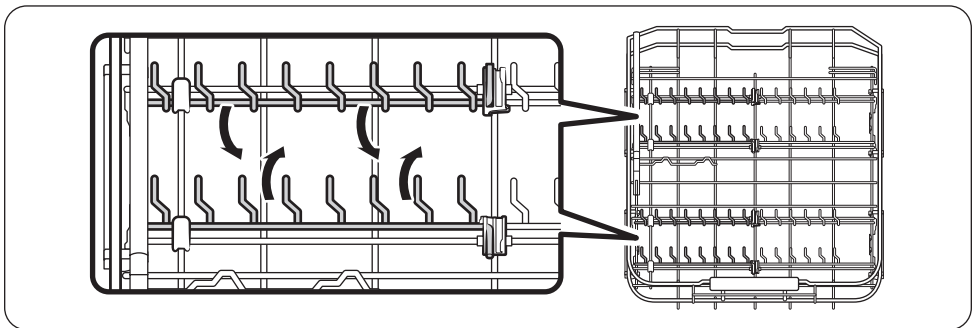
⚠ CAUTION

- Adjust the upper rack position before loading items into the rack to prevent damaging the items.
- You must level the left and right sides of the upper rack. Otherwise, the dishwasher door may not close properly or the dishwasher may not wash properly.

Using the tines

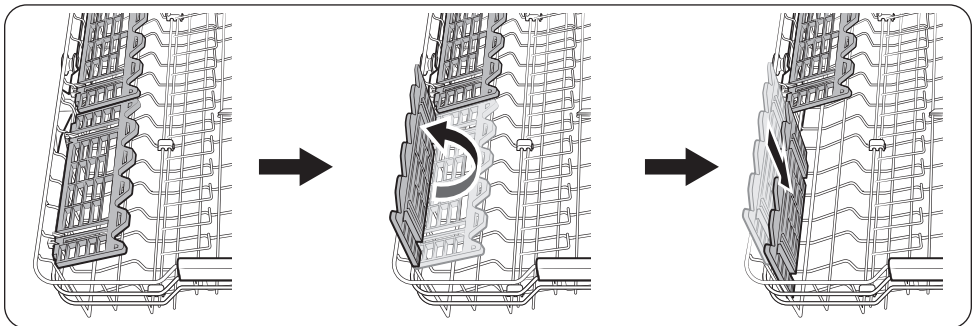
Fold or unfold the tines depending on the items you load.

Fold them for better stacking of pots and pans and unfold them to load items such as dishes.



Using the glass support

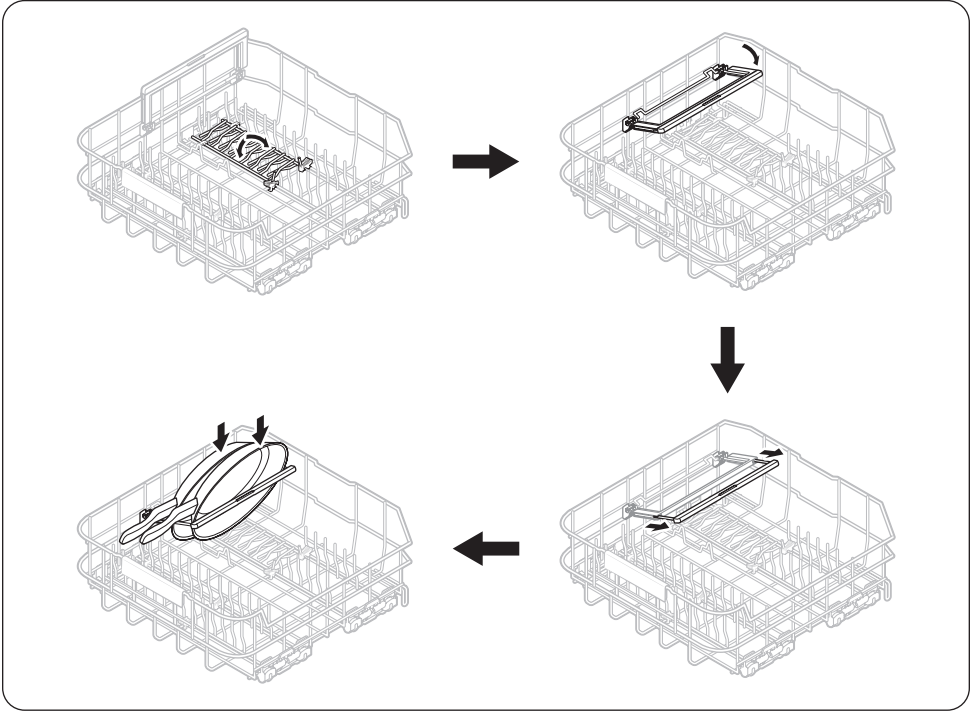
The glass support is especially suited for wine glasses. Hang wine glasses onto the pegs of the glass support. Fold the glass support back when it is not being used.



Before you start

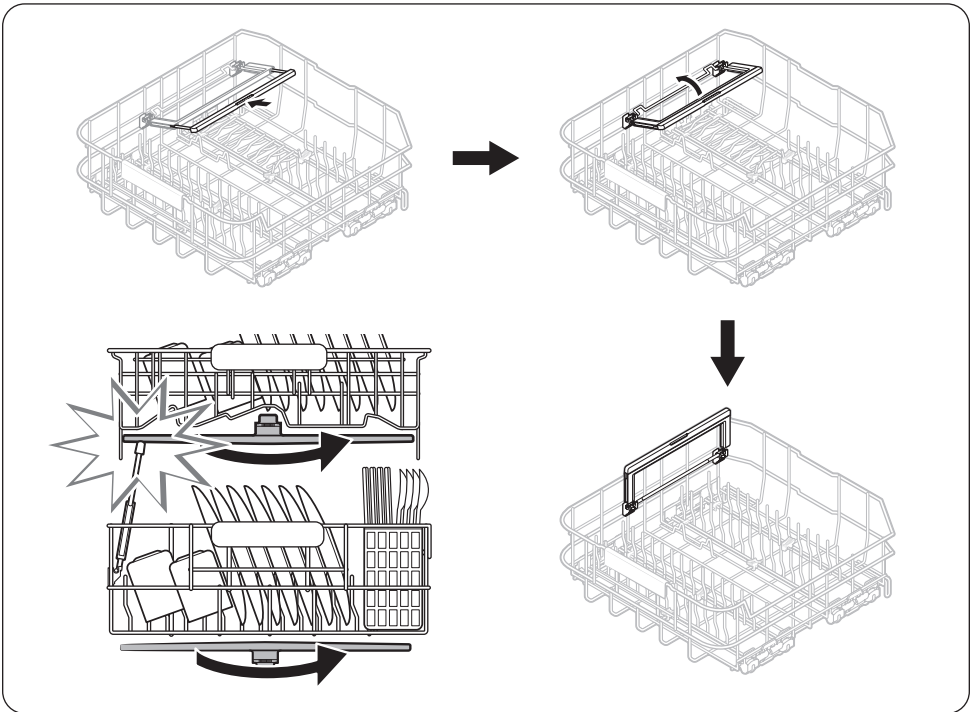
Using the pan holder

You can use the pan holder to load your pans. Fold down the tines and then lower the pan holder.



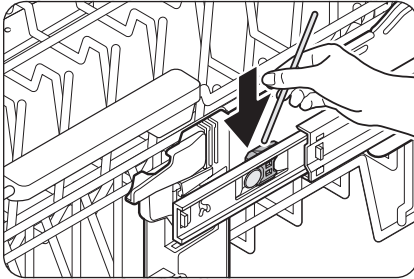
⚠ CAUTION

When not using the pan holder, first push the extended part back in, then fold up the pan holder. If the extended part is not pushed in before folding up the pan holder, it may interfere with the middle spray arm's rotation, preventing proper cleaning. Before operating the dishwasher, manually rotate the middle spray arm to ensure items and pan holder are not interfering with the middle spray arm's rotation.

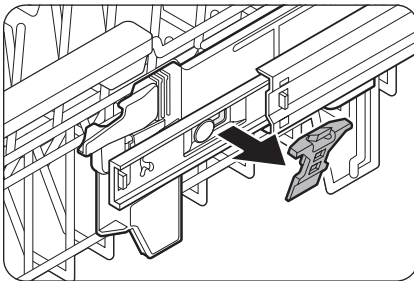


Before you start

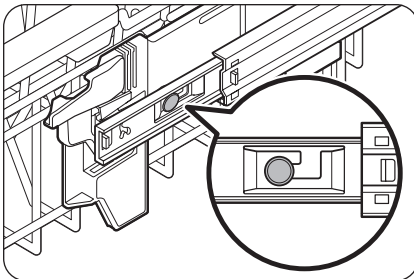
Removing the upper rack



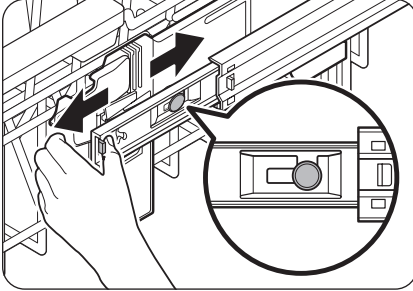
1. Push the hook on the rail holder (on left and right sides).



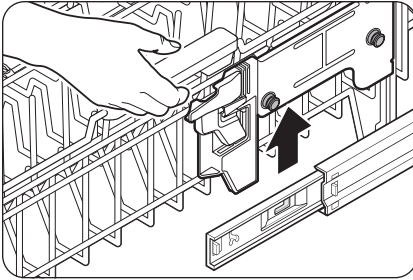
2. Remove the rail holder from the rail (on left and right sides).



3. Check the position of the shaft on the rail bracket.



4. Slide the upper rack so that the shaft is positioned at end of the rail bracket.



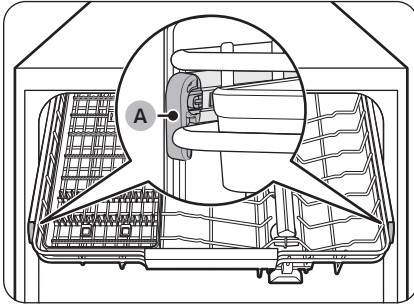
5. Lift the upper rack to remove.

⚠ CAUTION

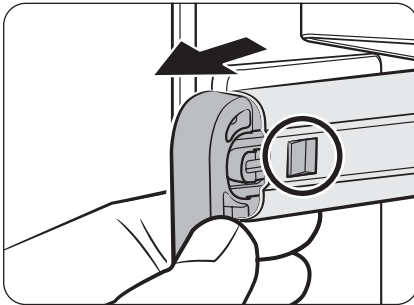
- Do not operate the dishwasher without the upper rack. Otherwise, noises occur and the dishwasher does not operate properly.
- Because the upper rack is removable, insert the upper rack properly to ensure the dishwasher operates normally.
- Be careful not to lose the rail holders during this process.

Before you start

Removing the 3rd Rack



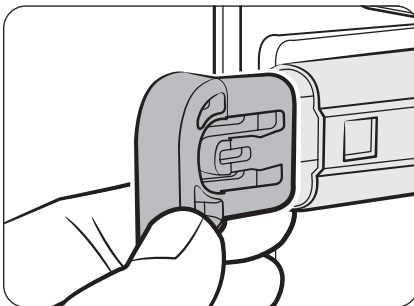
1. Facing the dishwasher, pull out the 3rd rack fully and slightly push back until the **handles (A)** line up with the front side of the rack.



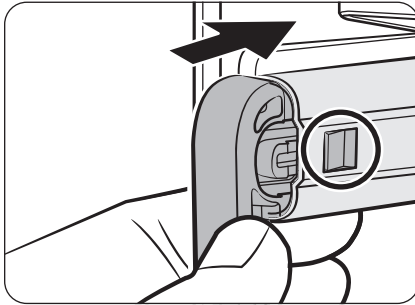
2. A small indentation is located on the inner side of the handle. This indentation engages with the lock tab that secures the handle onto the rack support.

3. While pushing down on the handle lock tab, pull out the handle towards you until it is removed.

4. Repeat this process on the other side.



5. When the handles are removed, remove the 3rd rack from the dishwasher.



- Reverse the order of removal to re-insert the 3rd rack.

⚠ CAUTION

Make sure the hook-shaped part of the handle faces downward and the handle lock (circled part in the figure) re-engages when reinserting the handle into the rail.

Detergent compartment

You must put detergent into the detergent compartment before every cycle. Put a recommended amount of detergent for the selected cycle for the best performance.

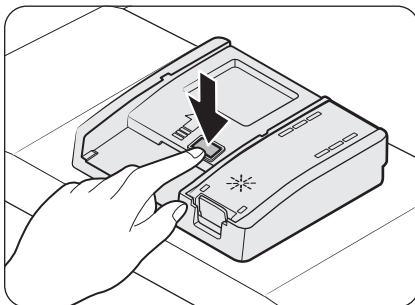
⚠ WARNING

- Do not consume dishwasher detergent. Avoid breathing in detergent fumes.
 - Dishwasher detergent contains irritants and caustic chemicals that can induce respiratory conditions.
 - If you have consumed dishwasher detergent or inhaled detergent fumes, seek medical attention immediately.
- Keep dishwasher detergent out of children's reach.

⚠ CAUTION

Use dishwasher detergent only. Other types of detergent produce excessive foam, which may decrease the dishwasher's performance or cause it to malfunction.

Filling the detergent

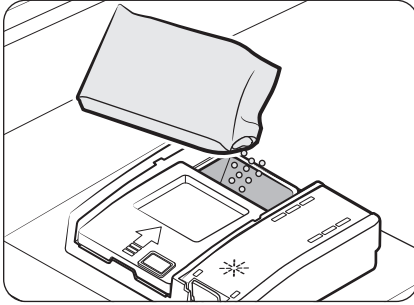


- Press the button on the detergent compartment cover to open the detergent compartment cover.

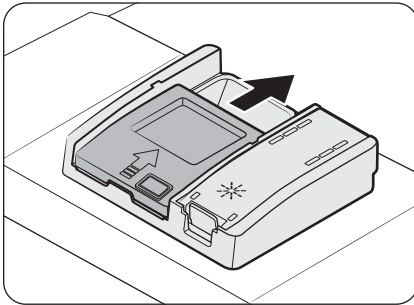
📖 NOTE

The cover remains open at the end of a cycle.

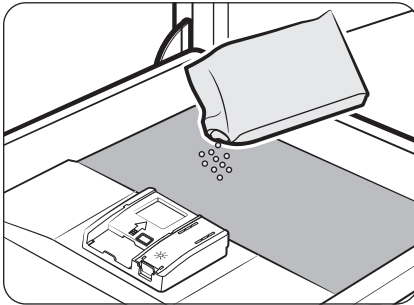
Before you start



2. Add the recommended amount of detergent into the detergent compartment.



3. Slide the cover in the direction of the arrow to close it.



4. If the items are heavily soiled, pour a small amount of detergent onto the door for the pre-wash process to get better cleaning results.

NOTE

The cover opens automatically to dispense the detergent during the wash.

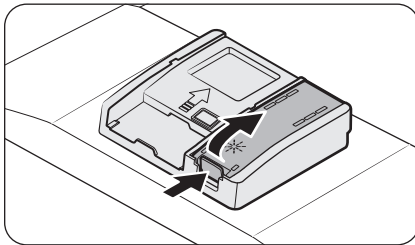
Rinse aid compartment

- Rinse aid improves the drying performance of the dishwasher.
- Refill the rinse aid compartment when you get a rinse refill alert message on the control panel.
- Only use a liquid rinse aid. A Powdered rinse aid will clog the opening of the compartment causing the dishwasher to malfunction.
- You can set the desired amount of rinse aid to dispense during each cycle. (Refer to the **Settings menu** section for more information.)

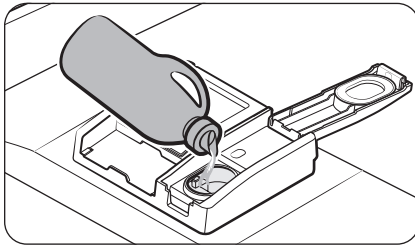
⚠ CAUTION

- Do not apply any type of detergent to the rinse aid compartment.
- Do not excessively fill the rinse aid compartment as it may overflow during a cycle.

Filling the rinse aid



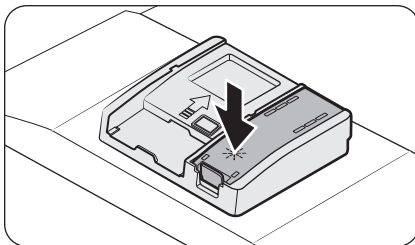
1. Open the rinse aid compartment cover.



2. Fill the rinse aid compartment with the rinse aid.

⚠ CAUTION

Do not fill the rinse aid over the max line in the compartment. Excess rinse aid can overflow during the wash cycle.



3. Close the rinse aid compartment cover.

Before you start

SmartThings

Wi-Fi connection

On your phone, go to **Settings** and connect to your home Wi-Fi network.

Download

On an app market (Google Play Store, Apple App Store, Samsung Galaxy Apps), find the SmartThings app with the search term "SmartThings". Download and install the app on your device.

NOTE

- The SmartThings app is designed for Android 8.0 or later, IOS 13.0 or later.
- For improved performance, the SmartThings app is subject to change without notice, or discontinued support according to the manufacturer's policy.

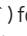
Log in

You must first log into SmartThings with your Samsung account. To create a new Samsung account, follow the instructions on the app. You don't need a separate app to create your account.

NOTE

If you have a Samsung account, use the account to log in. A registered Samsung phone user can log in automatically.

To register your device to SmartThings

1. Make sure your phone is connected to a wireless network.
2. Run SmartThings on your phone.
3. When a message of "**A new device is found.**", select **Add**.
4. If no message appears, select **+** and select your dishwasher in a list of devices available. If your dishwasher is not listed, select **Device Type > Specific Device Model**, and then add your dishwasher manually.
5. Follow the on-screen instructions to complete the connection process for your dishwasher. Touch and hold **Smart Control** () for more than 5 seconds until the "**AP**" message appears on the display. Your dishwasher will be registered with the app.
6. When the process is complete, your dishwasher will appear in the list of devices on your SmartThings App.
7. Tap the dishwasher icon to open the dishwasher page.
8. When a network connection is established, the Wi-Fi icon lights up on your dishwasher.

Dishwasher app

Integrated control: You can monitor and control your dishwasher both at home and on the go.

- Select the dishwasher icon on SmartThings. The dishwasher page appears.
- Check the operation status or notifications related to your dishwasher, and change options or settings if necessary.

NOTE

- This device is designed for household use only (Class B), and can be used in all residential areas.
- This device may cause wireless interference, and neither the manufacturer nor the installer of this device can provide a safety measure of any kind.
- Recommended encryption methods are WPA/TKIP and WPA2/AES. Newly developed Wi-Fi protocols or unapproved Wi-Fi protocols are not supported.
- The reception sensitivity of a wireless network may be affected by surrounding wireless environments.
- If your Internet provider has registered the MAC address of your PC or the modem module for permanent use, your Samsung dishwasher fails to connect to the Internet. If this happens, contact your Internet provider.
- The Internet firewall may interrupt your Internet connection. If this happens, contact your Internet provider.
- If Internet failure continues after following the measurement of your Internet provider, contact a local Samsung retailer or service center.
- For installing wired and wireless routers, refer to the user manual of the router you use.
- Samsung dishwasher supports the Wi-Fi 2.4 GHz protocols.
- Samsung dishwasher supports the IEEE802.11 b/g/n (2.4 GHz), Soft-AP protocols. (IEEE802.11n is recommended)
- An unapproved wired/wireless router may fail to connect to Samsung dishwasher.
- The SmartThings app is available on Android devices with OS 8.0 or higher and iOS devices with iOS 13 or higher. The app is optimized for Samsung phones.
- Some functions of the app may operate differently on third-party devices.
- The app is subject to change without notice for improved performance.
- In addition, further updates on the app or the function in the app may stop caused by usability and security reasons, even if updates are currently supported on your OS.
- You can easily install the SmartThings app or use the product with your phone by scanning the QR code on the attached label.

Before you start

SmartThings functions

Category	Function	Description
Monitoring	Washing status	You can check the current cycle and its options, and the remaining cycle time.
	Smart Control	The Smart Control status is shown for the dishwasher.
	Energy monitoring	Use this to monitor the energy consumption status.
Control	Start/Pause/Cancel	Select a cycle and necessary options, and then select Start/Pause/Cancel to start an operation, to stop temporarily, or to cancel the current operation.
	My Favorite	Add frequently used cycles and options to My Favorite for later use.
	Delay Start	Set Delay Start to start the cycle at a scheduled time (up to 24 hours).
Notification	Cycle completed	Notifies you when the current cycle is complete.
	Detergent	Notifies you if the dishwasher is out of rinse aid.
Washing Recipe	Cycle recommendation	Recommends the best cycle with optimal options for loaded dishes.
Homecare Wizard	Maintenance	The wizard features a device management service and a user guide.
AI Energy	AI Energy	You can turn on or off the AI Energy Mode under the Energy menu in the SmartThings app. When you operate the dishwasher after turning on the AI Energy Mode, the AI Energy Mode indicator appears on the SmartThings app or the dishwasher's control panel. The AI Energy function adjusts the operating temperature according to your usage conditions to save energy.

Open Source announcement

The software included in this product contains open source software.

The following URL http://opensource.samsung.com/opensource/SMART_TP1_0/seq/0 leads to open source license information as related to this product.



Security updates information

Security updates are provided to strengthen the security of your device and protect your personal information. For more information on security updates, visit <https://security.samsungda.com>.

- The website supports only some languages.

Before you start

Using Bixby Voice Recognition

This feature allows you to operate the product through voice commands. To activate Bixby, say "Hi, Bixby," and then give your desired command. The product will respond with voice guidance.

Bixby will exit standby mode after a certain time if no command is given.

⚠ CAUTION

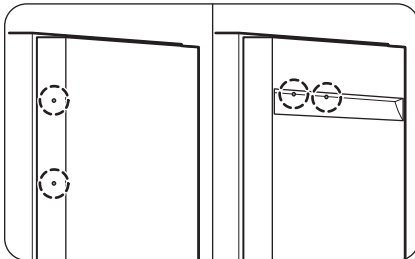
- Performance may be affected by the user's voice, speech style, pronunciation, and surrounding environment.
- When using the voice recognition function, speak louder than the surrounding sounds.
- To use the voice recognition function, stand within 1 meter of the product, reduce background noise, and speak clearly and loudly toward the built-in microphone.

📖 NOTE

- The voice recognition function may not be supported depending on the model.
- The location of the microphone may vary depending on the model.

Voice Commands

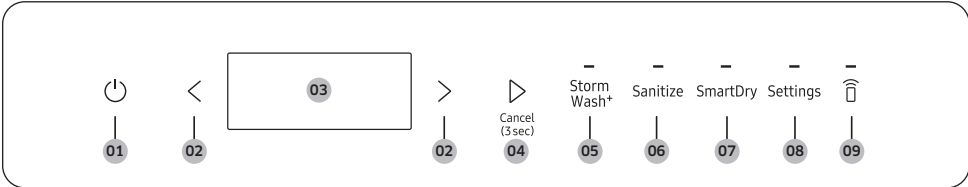
Refer to the following voice commands available for use with the dishwasher.



- Power on the dishwasher
- Power off the dishwasher
- Open the dishwasher door
- Start the dishwasher
- Start the dishwasher on [cycle name] course/cycle
- Start the dishwasher with frequently used course
- Set the dishwasher on [cycle name] course/cycle
- Tell me the available course/cycles in dishwasher
- Set [option name] option to the dishwasher
- Cancel [option name] option to the dishwasher
- Cancel the dishwasher's course/cycle
- Pause the dishwasher
- Tell me the remaining time of dishwasher
- Tell the current course/cycle for dishwasher
- Tell me the progress of dishwasher
- Tell me the status of dishwasher
- Turn on the volume of dishwasher
- Turn off the volume of dishwasher
- Turn up the volume of Bixby
- Turn down the volume of Bixby
- Tell me the serial no. of dishwasher

Operations

Control panel



01 Power	<ul style="list-style-type: none"> • Tap this button to turn the dishwasher on or off.
02 Left/Right	<ul style="list-style-type: none"> • Use these buttons to navigate through the cycles or options.
03 Display	<ul style="list-style-type: none"> • You can check various information on the display. <ul style="list-style-type: none"> - The display shows the selected cycle, options, alert message, and related information.
04 Start	<ul style="list-style-type: none"> • Tap this button to start the operation or to confirm a selection. <ul style="list-style-type: none"> - Cancel & Drain: Touch and hold this button for 3 seconds to cancel the current cycle and drain the dishwasher.
05 Storm Wash+	<ul style="list-style-type: none"> • Tap this button to turn the Storm Wash+ function on or off. <ul style="list-style-type: none"> - Use this function to wash pots, pans, durable serving bowls, and other large, heavily soiled, hard-to-clean dishes. - Load the items face down in the rear-left side of the lower basket, where the Storm Wash+ nozzle is underneath.
06 Sanitize	<ul style="list-style-type: none"> • Tap this button to turn the Sanitize function on or off. <ul style="list-style-type: none"> - Use this function to increase the water temperature to 167 °F (75 °C) in the final rinse cycle for high-temperature sanitization. - If you turn on the Sanitize function, the Sanitize lamp blinks when the water temperature reaches the sanitary temperature (over 155 °F (68 °C)) and the lamp remains on until the Sanitize function ends. - If you open the door, the Sanitize lamp will blink. 📌 NOTE <ul style="list-style-type: none"> • Only sanitizing cycles have been designed to meet the requirements for soil removal and sanitization efficacy in NSF 184. Certified residential dishwashers are not intended for licensed food establishments. • For the Sanitize mode, the amount of detergent as 3/4 oz (20 g) in Main wash dispenser and 1/3 oz (10 g) on the door for pre-wash is used.

Operations

07 SmartDry	<ul style="list-style-type: none">• Tap this button to add the SmartDry process. The Smart Dry process uses a built-in heater to circulate warm air for better drying performance.<ul style="list-style-type: none">- This option is not available for some cycles.• You can select from 3 different levels. Each time you tap this button the option changes in the following order.<ul style="list-style-type: none">- Low, High, MAX, Off- MAX takes the longest operation time. <p>⚠ CAUTION</p> <ul style="list-style-type: none">• Do not open the door during the SmartDry process because the internal temperature becomes very hot during the process.• Do not touch the bowl inside the dishwasher or the hot air outlet right after using the SmartDry option as they may still be hot.• Do not block the hot air outlet. Blocking the air outlet could cause poor hot air circulation during the SmartDry process.• Try loading the heat-sensitive items as far away from the hot air outlet as possible.• For the best drying result, keep the Does per Rinse option enabled while using the SmartDry option. <p>📖 NOTE</p> <p>SmartDry Low condition is the recommended for regular use to completely wash a full load of normally soiled dishes.</p>
08 Settings	<ul style="list-style-type: none">• Tap this button to enter the settings menu.<ul style="list-style-type: none">- Refer to the Settings menu section for details.- You can change various settings.
09 Smart Control	<ul style="list-style-type: none">• You can turn the Smart Control on or off.<ul style="list-style-type: none">- Turning on the Smart Control allows remote access to the dishwasher.

Cycle overview

AI Wash	<ul style="list-style-type: none"> This cycle automatically detects the soil level of your items and adjusts the washing process accordingly. Additionally, AI optimizes the number of rinses during the cycle to ensure the best cleaning results. The wash time may increase if the AI adjusts options such as the number of rinses during operation. <p>NOTE</p> <p>The number of rinse processes is available only when the dishwasher is connected to Wi-Fi.</p>
Normal	<ul style="list-style-type: none"> This is a standard cycle for normally soiled items. <ul style="list-style-type: none"> The energy-usage label is based on this cycle.
Heavy	<ul style="list-style-type: none"> This cycle is for cleaning heavily soiled items.
Delicate	<ul style="list-style-type: none"> Select this cycle for lightly soiled, fragile items such as glasses. <ul style="list-style-type: none"> The item must be dishwasher-safe.
Express 60'	<ul style="list-style-type: none"> This cycle is for cleaning the items quickly in about an hour.
Self Clean	<ul style="list-style-type: none"> This cycle is for cleaning the inside of the dishwasher. Do not operate this cycle with the racks loaded with any items. Empty the dishwasher before running this cycle. <p>NOTE</p> <p>Use this cycle to clean the inside of the dishwasher after using the dishwasher 20 times, or once every month.</p>
Pre Blast	<ul style="list-style-type: none"> This cycle is for roughly and quickly dislodging large food debris to prevent caking. <p>NOTE</p> <p>No detergent or rinse aid is used in this cycle.</p>
Pots & Pans	<ul style="list-style-type: none"> Ideal for cleaning cookware such as pots and pans that are heavily soiled.
Plastic	<ul style="list-style-type: none"> Suitable for cleaning plastic dishes that are sensitive to heat and temperature.
Babycare	<ul style="list-style-type: none"> Use this cycle to rinse dishes with high-temperature water before drying. No detergent is used in this cycle.

Operations

Operating a cycle

1. Open the door, and then load the dishwasher. Make sure to remove food remains and waste on the dishes.
 - Do not load the dishwasher if you are going to use the Self Clean cycle.
2. Add detergent into the detergent compartment. For better results, add rinse aid into the rinse aid compartment.
3. Tap **Power** (⏻) to turn on the dishwasher.
4. Tap the < or > buttons to select the desired cycle.
5. Select the desired additional functions.
 - Tap **Storm Wash+**, **Sanitize**, or **SmartDry** to enable or disable each function.
 - Some functions may not be available depending on the selected cycle.
6. Tap **Start** (▶), and then close the door.
 - The dishwasher starts the cycle after draining for a few seconds.

NOTE




- To cancel the cycle, touch and hold **Start** (▶) for 3 seconds.
- To resume after you have opened the door to stop the dishwasher while operating, simply close the door.

Settings

You can change your settings to your preference according to the following instructions.


1. Tap **Settings**.
2. Tap < or > to navigate through the settings menu.
3. Tap **Start** ▷ to select. Refer to the **Settings menu** section for detailed instructions on changing each setting.

Settings menu

Setting	Description / Setting instruction
Delay Start	<p>You can start the dishwasher operation at a desired time. Select from 1 to 24 hours to delay the start of the dishwasher.</p> <ol style="list-style-type: none">1. Tap < or > to select the desired time.2. Tap Start ▷ to save.<ul style="list-style-type: none">- You can tap Settings to cancel the setting. <p> NOTE You must select the desired wash cycle before setting Delay Start.</p>
Dose Per Rinse	<p>You can set the desired amount of rinse aid to dispense during each cycle.</p> <ol style="list-style-type: none">1. Tap < or > to select the desired amount.2. Tap Start ▷ to save.<ul style="list-style-type: none">- The setting is canceled automatically if you do not tap Start ▷ within a few seconds. <p> NOTE To disable the rinse aid refill notification, set this function to off.</p>
Auto Release Dry	<p>You can set the dishwasher to open the door automatically at the end of the wash cycle for better drying results.</p> <ol style="list-style-type: none">1. Tap < or > to select On or Off.2. Tap Start ▷ to save.<ul style="list-style-type: none">- The setting is canceled automatically if you do not tap Start ▷ within a few seconds. <p> NOTE</p> <ul style="list-style-type: none">• If you enable this function, the door opens automatically at the end of the wash cycle. When the Auto Release Dry function activates at the end of a cycle, do not block or close the door.• Turn on this function for better drying results.

Operations

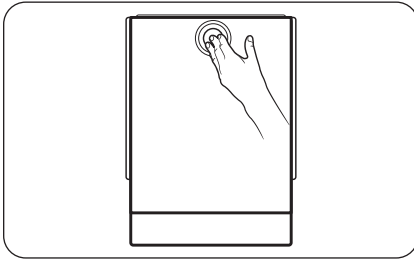
Setting	Description / Setting instruction
My Cycles	<p>You can select to show or hide some of the cycles on the list.</p> <ol style="list-style-type: none"> 1. Tap < or > to move up or down the list of cycles. 2. Tap Start ▷ to show or hide the selected cycle. <ul style="list-style-type: none"> - Checked cycles will be shown and the unchecked ones will be hidden on the list of cycles. - The Normal cycle cannot be hidden from the list. 3. Tap Settings to save.
AI Pattern	<p>Conveniently use the cycles that you use frequently. You can set your dishwasher to remember the frequently used cycles and settings and display them in frequently used order.</p> <ol style="list-style-type: none"> 1. Tap < or > to select On or Off. 2. Tap Start ▷ to save. <ul style="list-style-type: none"> - The setting is canceled automatically if you do not tap Start ▷ within a few seconds.
Lock	<p>To prevent children from playing with the dishwasher, enable this function to lock all the buttons except for Power ⏻ and Settings.</p> <ul style="list-style-type: none"> • Tap Start ▷ to enable Lock. <ul style="list-style-type: none"> - To disable Lock, touch and hold Settings for 3 seconds. <p>NOTE</p> <p>Turning off the dishwasher does not disable this function. You must touch and hold Settings for 3 seconds to manually disable the function.</p>
System Settings	<p>You can change various system settings.</p> <ol style="list-style-type: none"> 1. Tap < or > navigate through the System Settings menu. 2. Tap Start ▷ to select. 3. Change the setting based on the setting you selected. <ul style="list-style-type: none"> - Refer to the following instructions for specific settings.
	<p>Auto Open Door</p> <p>You can select the sensitivity level required to open the door when using the Auto Open Door function.</p> <ol style="list-style-type: none"> 1. Tap < or > to select Light pressure, Medium pressure, or Firm pressure. 2. Tap Start ▷ to save.
	<p>Volume</p> <p>You can change the volume of the sound.</p> <ol style="list-style-type: none"> 1. Tap < or > to select Mute, Minimum, Normal or Maximum. 2. Tap Start ▷ to save. <ul style="list-style-type: none"> - The setting is canceled automatically if you do not tap Start ▷ within a few seconds.

Setting	Description / Setting instruction	
System Settings	Microphone	<p>You can turn the microphone on or off.</p> <ol style="list-style-type: none"> 1. Tap < or > to select On or Off. 2. Tap Start ▷ to save. <ul style="list-style-type: none"> - The setting is canceled automatically if you do not tap Start ▷ within a few seconds. <p> NOTE</p> <p>This setting must be turned on to use the Bixby Voice Recognition function. (Refer to the Using Bixby Voice Recognition section for more information on the Bixby Voice recognition function.)</p>
	Temp Unit	<p>You can change the temperature unit.</p> <ol style="list-style-type: none"> 1. Tap < or > to select °F or °C. 2. Tap Start ▷ to save. <ul style="list-style-type: none"> - The setting is canceled automatically if you do not tap Start ▷ within a few seconds.
	Language	<p>You can change the system language.</p> <ol style="list-style-type: none"> 1. Tap < or > to select the desired language. 2. Tap Start ▷ to save. <ul style="list-style-type: none"> - The setting is canceled automatically if you do not tap Start ▷ within a few seconds.
	Wi-Fi	<p>You can turn the dishwasher's Wi-Fi on or off.</p> <ol style="list-style-type: none"> 1. Tap < or > to select On or Off. 2. Tap Start ▷ to save. <ul style="list-style-type: none"> - The setting is canceled automatically if you do not tap Start ▷ within a few seconds.
	Factory Reset	<p>You can reset the dishwasher to the factory setting.</p> <ol style="list-style-type: none"> 1. Tap < or > to select Reset or Cancel. 2. Tap Start ▷ to confirm.

Operations

Special features

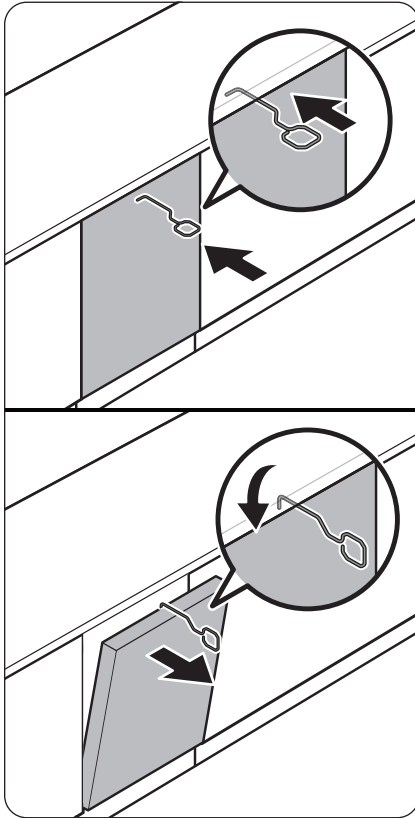
Auto Open Door function (Applicable models only)



1. Gently press and release the center of the top part of the door. The door will then automatically open slightly.
 - You can adjust the sensitivity level for this function under **Settings > System Settings > Auto Open Door**.
2. When the door slightly opens, hold the top part of the door and fully open it.
 - The door does not close automatically. Close the door manually after use.

CAUTION

- Do not push or force stop the door while it is opening automatically. It may cause the product to malfunction.
- If the door resists opening after repeated door opening, wait for about a minute and then try again. (It may be hard to open the door immediately after closing it due to air pressure change inside the dishwasher which occurs when you open and close the door.)
- You can activate the Auto Open Door function by Bixby.
 - Be careful when using the function through Bixby because the door may open automatically, but does not close automatically.
 - We suggest using Bixby for opening the door only when you are nearby the product.



If you are unable to use the Auto Open Door function because of a power failure or other reasons, use the provided Emergency handle to open the door manually.

Maintenance

Cleaning

Keep the dishwasher clean to improve performance, reduce unnecessary repairs, and lengthen its lifecycle.

Exterior

Clean spills on the surface of the dishwasher immediately. Use a soft, damp cloth on the control panel to gently wipe away spills and dust.

If you see white stains on the control panel, clean them using a detergent containing citric acid.

CAUTION

- Do not use benzene, wax, thinner, chlorine bleach, alcohol, or other chemical substances. These materials may discolor the surface of the dishwasher and cause stains.
- The dishwasher has electric parts inside. Do not spray water directly onto the dishwasher. Protect electrical components from water.
- For a stainless-steel door panel, clean using a stainless steel cleaner for home appliances and a clean, soft cloth.

Interior

Clean the interior of the dishwasher on a regular basis to remove any dirt or food particles. Wipe inside the dishwasher and inside the door with a wet dishcloth. To maintain optimum cleanliness, recommended running the Self Clean cycle periodically with the dishwasher empty.

To keep the cutlery pad clean, turn it over after each use. To remove white spots and odors from the cutlery pad, run the Self Clean cycle with the dishwasher empty and no detergent until the cutlery pad flushes. Then, stop the cycle and put an 8-ounce cup of white vinegar into the lower basket. Close the door, and then resume the cycle.

Use a damp cloth to remove lime scale or grease deposits inside the dishwasher.

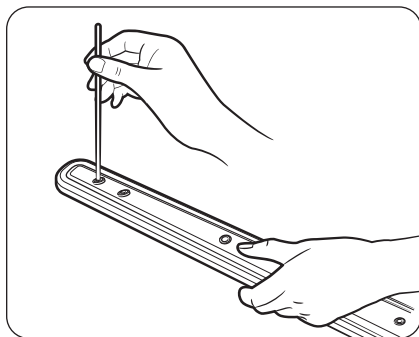
Alternatively, apply some detergent, and then run an empty cycle using the highest rinse temperature.

CAUTION

Do not remove the front seal (the long rubber seal enclosing the opening of the dishwasher). The seal keeps the inner side of the dishwasher sealed.

Spray arms

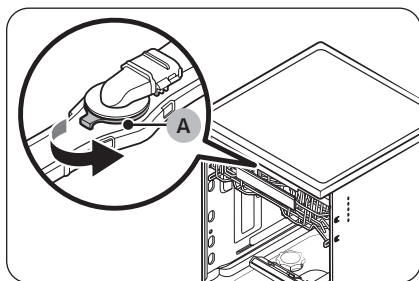
To prevent the spray arms from being clogged or if the spray arms are clogged, remove and clean each spray arm. Use caution when removing the spray arms as they may break.



NOTE

If the water holes on the spray arms are clogged, use a thin pointed tool to unclog the holes.

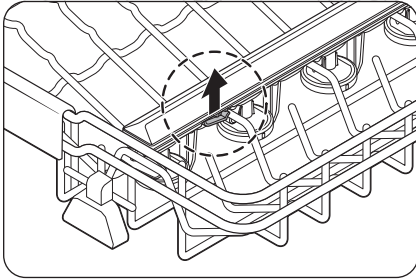
Top spray arm



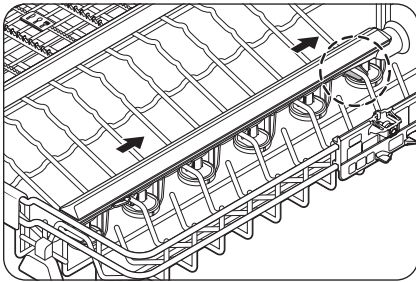
1. Open the door.
2. Remove the upper rack.
 - Refer to the **Removing the upper rack** section for detailed instructions.
 - The top spray arm is attached to the top interior wall.
 - If your model has a 3rd rack, pull it out to access the top spray arm.
3. Hold the **handle (A)**, and then push it to the right to release the top spray arm.
4. Unclog and clean the spray arm.
5. Reinsert the spray arm, and then push the **handle (A)** to the left to tighten it.
6. Rotate the spray arm to make sure it is correctly assembled.

Maintenance

Cup wash spray nozzle

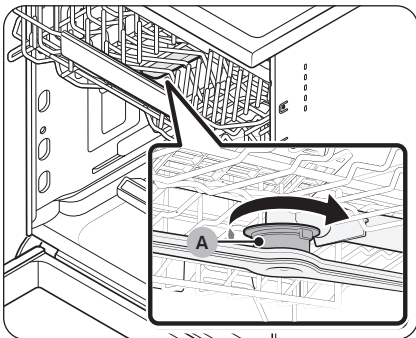


1. Release the hook at the front of the cup wash spray nozzle.
2. Slide the nozzle toward the rear to remove it from the 3rd rack.



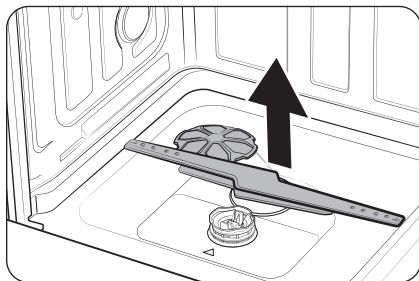
3. Unclog and clean the nozzle.
4. Assemble the nozzle.
 - Secure the rear hook (as shown in the figure) by attaching it to the 3rd rack, then slide the nozzle back into place until it clicks securely.

Middle spray arm



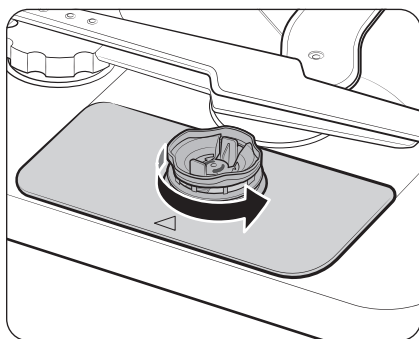
1. Open the door, and then pull out the upper rack.
 - The middle spray arm is attached underneath the upper rack.
2. Hold the **handle (A)**, and then push it to the right to release the middle spray arm.
3. Unclog and clean the spray arm.
4. Reinsert the spray arm, and then push the **handle (A)** to the left to tighten it.
5. Rotate the spray arm to make sure it is correctly assembled.

Bottom spray arm

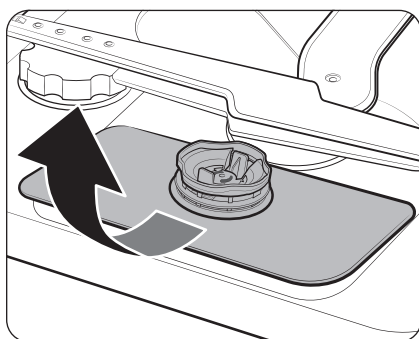


1. Open the door.
2. Remove the lower rack.
 - The bottom spray arm is attached to the bottom interior wall.
3. Pull the bottom spray arm to remove it.
4. Unclog and clean the spray arm.
5. Reinsert the spray arm.
6. Rotate the spray arm to make sure it is correctly assembled.

Filters

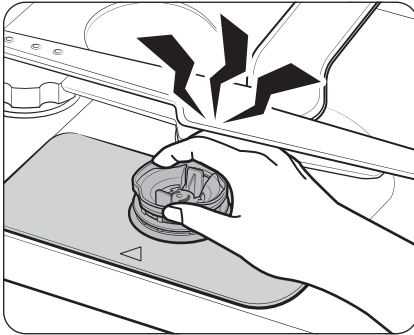


1. Open the door, and then remove the lower rack.
2. Turn the coarse filter counterclockwise to unlock the assembled filters.



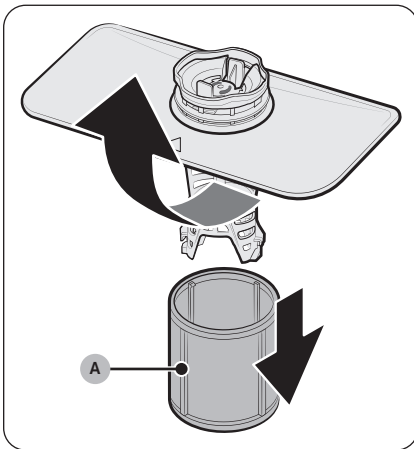
3. Lift the assembled filters and remove them from the bottom of the dishwasher.

Maintenance

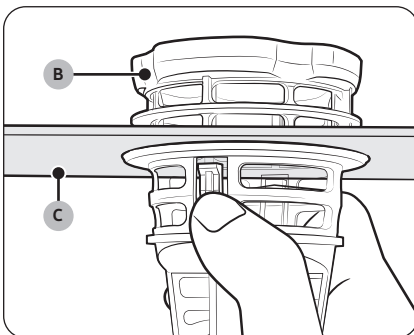


⚠ CAUTION

Watch your hand when removing the filters. Your hand could get caught between the bottom spraying arm and the filters.

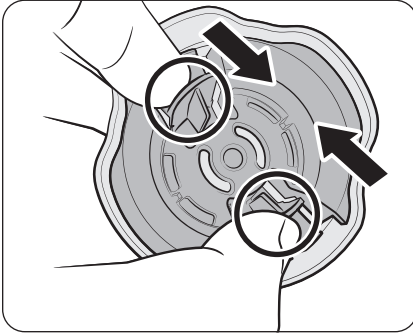


4. Disassemble the **micro filter (A)**.

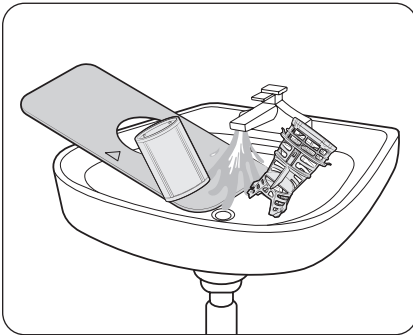


5. Disassemble the **coarse filter (B)** and the **fine filter (C)**.

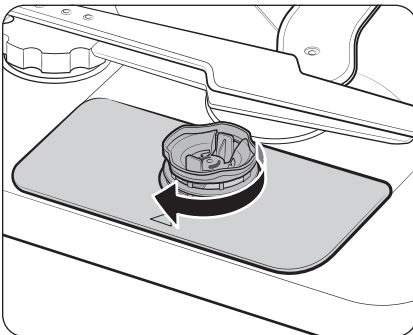
- While pressing the two release tabs on the **coarse filter (B)**, lift it to remove.



6. Remove the coarse filter cap.
 - While pressing the two release tabs on the cap, lift to remove it.



7. Thoroughly clean all the disassembled filters in running water.
8. Dry the filters before putting them back into the dishwasher.

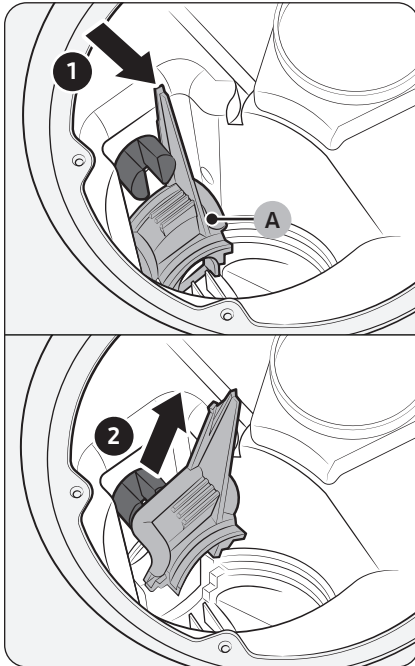


9. Assemble all the filters and put them back into the dishwasher.
10. Turn the filter handle clockwise to lock the filters.

Maintenance

Drain pump

If the dishwasher displays **5C** and fails to drain or there is an abnormal noise coming from the drain pump, you must unplug and clean the drain pump according to the following instructions. (Refer to the **Information codes** section for more information on the code displayed on the control panel.)



A. Drain pump cover

1. Remove the lower rack.
2. Refer to the **Filters** section to remove the filters.
3. Remove the drain pump cover.
 - Push the handle in the direction of the arrow (1), and then pull it up (2).
4. Check the pump's impeller, and then clean it thoroughly.
5. Put the drain pump cover in the reversed order of removal.
 - Make sure you hear a clicking sound.

NOTE

The **5C** error code may occur when the drain pump is missing or incorrectly assembled. Make sure the drain pump is correctly assembled.

Long-term care

If you will not use the dishwasher for an extended period of time, first drain the unit completely, and then disconnect the water hose. Shut off the water supply valve and the circuit breaker. Water remaining in the hoses or the internal components can damage the dishwasher.

Troubleshooting

Checkpoints

If you encounter an issue with the dishwasher, first check the table below and try the suggestions.

Following the repair by a non-authorized service provider, self-repair, or non-professional repair of the product, Samsung is not liable for any damage to the product, any injury, or any other product safety issue caused by any attempt to repair the product that does not carefully follow these repair and maintenance instructions. Any damage to the product caused by an attempt to repair the product by any person other than a Samsung-certified service provider will not be covered by the warranty.

Symptom	Possible cause	Action
The dishwasher does not start.	The door is not completely closed.	<ul style="list-style-type: none">• Make sure the door is latched and completely closed.• Make sure the middle spray arm water supply tube is properly connecting to the water outlet at the rear interior wall.• Make sure the upper rack is properly inserted.
	The power cord is not connected.	<ul style="list-style-type: none">• Connect the power cord.
	Water is not being supplied.	<ul style="list-style-type: none">• Make sure the water supply valve is open.
	The control panel is locked.	<ul style="list-style-type: none">• Disable the Lock function.
The dishwasher has bad odors.	Water remains from the previous cycle.	<ul style="list-style-type: none">• With the dishwasher empty, add detergent, and then run the Heavy cycle.
Water remains in the dishwasher after a cycle has finished.	The drain hose is kinked or clogged.	<ul style="list-style-type: none">• Straighten and unclog the drain hose.

Troubleshooting

Symptom	Possible cause	Action
Food remains on dishes.	An incorrect cycle was selected.	<ul style="list-style-type: none"> Select a cycle according to the soil level of the dishes as instructed in this manual.
	The filters are clogged or not correctly fastened.	<ul style="list-style-type: none"> Clean the filters. Make sure the filters are correctly fastened.
	An insufficient amount of detergent was used.	<ul style="list-style-type: none"> Use the correct amount of detergent for each load.
	The water pressure is low.	<ul style="list-style-type: none"> Make sure the pressure is between 20 and 120 psi (between 140 and 830 kPa).
	The spray arms are clogged.	<ul style="list-style-type: none"> Clean and unclog the spray arms.
	Dishes are improperly loaded or overloaded.	<ul style="list-style-type: none"> Arrange the dishes so they do not interfere with the spray arms or the detergent dispenser.
Dishes are not dried well enough.	The rinse aid compartment is empty.	<ul style="list-style-type: none"> Fill the rinse aid into the rinse aid compartment.
	Not enough rinse aid was used.	<ul style="list-style-type: none"> Change the Dose per Rinse setting.
	Too many dishes were loaded.	<ul style="list-style-type: none"> Overloading may reduce the drying performance. Load your dishes as recommended.
	Glasses and cups spilled water onto other dishes while being unloaded.	<ul style="list-style-type: none"> Empty the lower rack first, and then the upper rack. This will avoid water dripping from the upper rack onto the dishes in the lower rack.
	Multiple detergent tablet is used.	<ul style="list-style-type: none"> Add the SmartDry process in MAX level.
	A cycle with a low rinse temperature was used.	<ul style="list-style-type: none"> Add the SmartDry process in Max level. If your model does not support the SmartDry function, add the Sanitize option.

Symptom	Possible cause	Action
The dishwasher is too noisy.	The detergent compartment is opened to dispense the detergent.	<ul style="list-style-type: none"> This is normal.
	The drain pump is operating.	<ul style="list-style-type: none"> This is normal.
	The dishwasher is not level.	<ul style="list-style-type: none"> Make sure the dishwasher is level.
	The spray arm bumps against the dishes, creating a chopping sound.	<ul style="list-style-type: none"> Rearrange the dishes.
A layer of the yellow or brown stain remains on dishes.	Coffee and tea soils.	<ul style="list-style-type: none"> Use a cycle with a higher temperature water.
The display is not turning on.	The power cord is not connected.	<ul style="list-style-type: none"> Check power supply is present.
The spray arms do not rotate smoothly.	The spray arms are clogged with food particles.	<ul style="list-style-type: none"> Clean the spray arms.
The dishwasher bubbles up and the foam remains too much on the front.	Regular detergent was used instead of dishwasher detergent.	<ul style="list-style-type: none"> Always use dishwasher detergent. Turn the dishwasher off and remove the bubbles.

Information codes

If the dishwasher fails to operate, you may see an information code on the display. Check the table below and try the suggestions.

Code	Action
1C	<p>Detergent check</p> <p>Check if regular detergent was used, and make sure to use dishwasher-specific detergent. If suds remain after using a regular detergent, remove them by supplying and draining water until removed. If the issue continues, contact a local Samsung service center.</p>
3C	<p>Washing pump check</p> <ul style="list-style-type: none"> Abnormal working with washing pump. If the issue continues, contact a local Samsung service center.

Troubleshooting

Code	Action
4C	<p>Water supply check</p> <ul style="list-style-type: none"> Check if the water supply valve is closed, if the water supply is suspended, or if the water inlet valve or line is frozen or clogged by foreign particles. If the issue continues, contact a local Samsung service center.
5C	<p>Check the drain pump cover</p> <ul style="list-style-type: none"> Check if the drain pump cover is missing or incorrectly assembled. <p>Drain pump check</p> <ul style="list-style-type: none"> Check the drain pump and drain pipe. If it is jammed, clean it. If the issue continues, contact a local Samsung service center.
HC	<p>High-temperature heating check</p> <ul style="list-style-type: none"> Functional check. With the dishwasher empty, add detergent, and then run a cycle. If the issue continues, go to your home's circuit breaker panel, and set the dishwasher's circuit breaker switch to off. Contact a Samsung service center.
HC4	<p>Check if the dry heater is overheated</p> <ul style="list-style-type: none"> Turn off the dishwasher and restart it. If the issue continues, contact a local Samsung service center.
LC	<p>Leakage check</p> <ul style="list-style-type: none"> Close the water supply valve. Go to your home's circuit breaker panel and set the dishwasher's circuit breaker switch to off. Contact the installer to repair. If the issue continues, contact a local Samsung service center.
PC	<p>Zone wash function check</p> <ul style="list-style-type: none"> Functional check. Turn off the dishwasher and try to start it again. If the issue continues, contact a local Samsung service center.
9C9	<p>The IPM is overheating</p> <ul style="list-style-type: none"> Unplug the appliance and contact a local Samsung service center.
ACM	<p>External memory communication error within the SUB (Panel)</p> <ul style="list-style-type: none"> Turn off the power and contact a local Samsung service center.

Appendix

Cycle chart

Cycle		AI wash	Normal	Heavy
Cycle sequence		Prewash > Mainwash > Rinse > Hot Rinse > Dry > End	Prewash > Mainwash > Rinse > Hot Rinse > Dry > End	Prewash > Mainwash > Rinse > Hot Rinse > Dry > End
Temp [°F (°C)]	Main wash	131-149 (55-65)	113-144 (45-62)	149 (65)
	Hot rinse	131-149 (55-65)	126-140 (52-60)	145 (63)
Water consumption [gal (ℓ)]		2.5-4.5 (9.6-17.0)	2.5-5.0 (9.4-19.0)	5.2 (19.7)
Cycle time (min)		79-125	108-119	137
Available Options	Sanitize	0	0	0
	Smart Dry	0	0	0
	Storm wash	0	0	0
	Delay Start	0	0	0

Cycle		Delicate	Express 60'	Preblast
Cycle sequence		Prewash > Mainwash > Rinse > Hot Rinse > Dry > End	Mainwash > Rinse > Hot Rinse > Dry > End >	Prewash > End
Temp [°F (°C)]	Main wash	122 (50)	131 (55)	-
	Hot Rinse	131 (55)	131 (55)	-
Water consumption [gal (ℓ)]		3.2 (12.3)	2.9 (11.0)	1.1 (4.0)
Cycle time (min)		100	60	11
Available Options	Sanitize	X	0	X
	Smart Dry	0	0	X
	Storm wash	X	0	X
	Delay Start	0	0	0

Appendix

Cycle		SelfClean	PotsPans
Cycle sequence		Mainwash > Rinse > Hot Rinse > Dry > End	Prewash > Mainwash > Rinse > Hot Rinse > Dry > End
Temp [°F (°C)]	Main wash	167 (75)	158 (70)
	Hot Rinse	149 (65)	149 (65)
Water consumption [gal (ℓ)]		3.2 (12.1)	5.4 (20.4)
Cycle time (min)		105	146
Available Options	Sanitize	X	0
	Smart Dry	X	0
	Storm wash	X	0
	Delay Start	0	0

Cycle		Plastic	BabyCare
Cycle sequence		Mainwash > Rinse > Hot Rinse > Dry > End	Hot Rinse > Dry > End
Temp [°F (°C)]	Main wash	140 (60)	-
	Hot Rinse	140 (60)	163 (73)
Water consumption [gal (ℓ)]		3.4 (12.9)	1.0 (3.9)
Cycle time (min)		94	89
Available Options	Sanitize	X	X
	Smart Dry	0	0
	Storm wash	X	X
	Delay Start	0	0

- When you select the **Auto** or **Normal** cycle, running the **Prewash** and **Rinse** cycles depends on the soil level of the load.
- The water consumption and wash time varies depending on the steps or options you add, and on the pressure and temperature of the supplied water.

Helping the environment

- Your dishwasher is manufactured from recyclable materials. If you decide to dispose of it, please observe local waste disposal regulations. Cut off the power cord so that the appliance cannot be connected to a power source.
- Remove the door so that animals and small children cannot get trapped inside the appliance.
- Do not exceed the detergent quantities recommended in the detergent manufacturers' instructions.

Specifications

MODEL	DW90F89P0USR / DW90F89T0U12 / DW90F89T0UMT / DW90F89T0USR	
Type	Built-in Dishwasher	
Power	120 V / 60 Hz AC only, 15 A circuit breaker	
Wash capacity	16 place settings	
Used water pressure	20-120 psi (140-830 kPa)	
Rated power usage	Wash Motor	60-100 W
	Heater	1100 W
Dimensions (Width × Depth × Height)	23 ⁷ / ₈ x 25 x 33 ⁷ / ₈ in. (606 x 635 x 860 mm)	
Weight (Unpacked)	DW90F89P0USR: 93.7 lb (42.5 kg) DW90F89T0U12: 94.8 lb (43 kg) DW90F89T0UMT / DW90F89T0USR: 88.18 lb (40 kg)	

Warranty

Warranty (U.S.A)

SAMSUNG DISHWASHER

LIMITED WARRANTY TO ORIGINAL CONSUMER PURCHASER WITH PROOF OF PURCHASE AND/OR PROOF OF DELIVERY

This SAMSUNG brand product, as supplied and distributed by SAMSUNG ELECTRONICS AMERICA, INC. (SAMSUNG) and delivered new, in the original carton to the original consumer purchaser, is warranted by SAMSUNG against manufacturing defects in materials or workmanship for the following limited warranty periods, starting on the date of delivery to the original consumer purchaser:

One (1) year parts and labor

Five (5) years, Printed Circuit Board, Racking and Stainless Door Liner & Tub for leakage (Parts Only)

This limited warranty is valid only on products purchased and used in the United States that have been installed, operated, and maintained according to the instructions attached to or furnished with the product. To receive warranty service, the purchaser must contact SAMSUNG at the address or phone number provided below for problem determination and service procedures. Warranty service can only be performed by a SAMSUNG authorized service center. The original dated bill of sale and/or proof of delivery must be presented upon request to SAMSUNG or SAMSUNG's authorized service center to receive warranty service.

SAMSUNG will provide in-home service within the contiguous United States during the warranty period at no charge, subject to availability of SAMSUNG authorized servicers within the customer's geographic area. If the product is located in an area where service by a SAMSUNG authorized servicer is not available, you may be responsible for a trip charge or required to bring the product to a SAMSUNG authorized service center for service.

To receive in-home service, product must be unobstructed and accessible to the service agent.

During the applicable warranty period, a product will be repaired, replaced, or the purchase price refunded, at the sole option of SAMSUNG. SAMSUNG may use new or reconditioned parts in repairing a product, or replace the product with a new or reconditioned product. Replacement parts and products are warranted for the remaining portion of the original product's warranty or ninety (90) days, whichever is longer. All replaced parts and products are the property of SAMSUNG and you must return them to SAMSUNG.

This limited warranty covers manufacturing defects in materials or workmanship encountered in normal household, noncommercial use of this product and shall not cover the following: damage that occurs in shipment, delivery, installation, and uses for which this product was not intended; damage caused by unauthorized modification or alteration of the product; product where the original factory serial numbers have been removed, defaced, changed in any way, or cannot be readily determined; cosmetic damage including scratches, dents, chips, and other damage to the product's finishes; damage caused by abuse, misuse, pest infestations, accident, fire, floods, or other acts of nature or God; damage caused by use of equipment, utilities, services, parts, supplies, accessories, applications, installations, repairs, external wiring or connectors not supplied or authorized by SAMSUNG; damage caused by incorrect electrical line current, voltage, fluctuations and surges; damage caused by failure to operate and maintain the product according to instructions; in-home instruction on how to use your product; and service to correct installation not in accordance with electrical or plumbing codes or correction of household electrical or plumbing (that is house wiring, fuses, or water inlet hoses).

The cost of repair or replacement under these excluded circumstances shall be the customer's responsibility.

Visits by an authorized servicer to explain product functions, maintenance or installation are not covered by this limited warranty. Please contact SAMSUNG at the number below for assistance with any of these issues.

EXCLUSION OF IMPLIED WARRANTIES

IMPLIED WARRANTIES, INCLUDING THE IMPLIED WARRANTIES OF MERCHANTABILITY OR FITNESS FOR A PARTICULAR PURPOSE, ARE LIMITED TO ONE YEAR OR THE SHORTEST PERIOD ALLOWED BY LAW.

Some states do not allow limitations on how long an implied warranty lasts, so the above limitations or exclusions may not apply to you. This warranty gives you specific rights, and you may also have other rights, which vary from state to state.

Warranty

LIMITATION OF REMEDIES

YOUR SOLE AND EXCLUSIVE REMEDY IS PRODUCT REPAIR, PRODUCT REPLACEMENT, OR REFUND OF THE PURCHASE PRICE AT SAMSUNG'S OPTION, AS PROVIDED IN THIS LIMITED WARRANTY. SAMSUNG SHALL NOT BE LIABLE FOR SPECIAL, INCIDENTAL OR CONSEQUENTIAL DAMAGES, INCLUDING BUT NOT LIMITED TO TIME WAY FROM WORK, HOTELS AND/OR RESTAURANT MEALS, REMODELING EXPENSES, LOSS OF REVENUE OR PROFITS, FAILURE TO REALIZE SAVINGS OR OTHER BENEFITS REGARDLESS OF THE LEGAL THEORY ON WHICH THE CLAIM IS BASED, AND EVEN IF SAMSUNG HAS BEEN ADVISED OF THE POSSIBILITY OF SUCH DAMAGES. Some states do not allow exclusion or limitation of incidental or consequential damages, so the above limitations or exclusions may not apply to you. This warranty gives you specific rights, and you may also have other rights, which vary from state to state.

SAMSUNG does not warrant uninterrupted or error-free operation of the product. No warranty or guarantee given by any other person, firm, or corporation with respect to this product shall be binding on SAMSUNG.

To obtain warranty service, please contact SAMSUNG at:

In USA

Samsung Electronics America, Inc.

85 Challenger Road

Ridgefield Park, NJ 07660

1-800-SAMSUNG (726-7864)

www.samsung.com/us/support

Warranty (CANADA)

SAMSUNG DISHWASHER

LIMITED WARRANTY TO ORIGINAL PURCHASER

This SAMSUNG brand product, as supplied and distributed by SAMSUNG ELECTRONICS CANADA, INC. (SAMSUNG) and delivered new, in the original carton to the original consumer purchaser, is warranted by SAMSUNG against manufacturing defects in materials and workmanship for a limited warranty period of:

One (1) year parts and labor

Five (5) years, Printed Circuit Board, Racking and Stainless Door Liner & Tub for leakage (Parts Only)

This limited warranty begins on the original date of purchase, and is valid only on products purchased and used in the Canada. To receive warranty service, the purchaser must contact SAMSUNG for problem determination and service procedures. Warranty service can only be performed by a SAMSUNG authorized service center. The original dated bill of sale must be presented upon request as proof of purchase to SAMSUNG or SAMSUNG's authorized service center. SAMSUNG will provide in-home service during the warranty period at no charge, subject to availability within the contiguous Canada.

In home service is not available in all areas. To receive in-home service, product must be unobstructed and accessible to the service agent.

SAMSUNG will repair, replace, or refund this product at our option and at no charge as stipulated herein, with new or reconditioned parts or products if found to be defective during the limited warranty period specified above. All replaced parts and products become the property of SAMSUNG and must be returned to SAMSUNG. Replacement parts and products assume the remaining original warranty, or ninety (90) days, whichever is longer.

This limited warranty covers manufacturing defects in materials and workmanship encountered in normal, noncommercial use of this product and shall not apply to the following: damage that occurs in shipment; delivery and installation; applications and uses for which this product was not intended; altered product or serial numbers; cosmetic damage or exterior finish; accidents, abuse, neglect, fire, water, lightning, or other acts of nature or God; use of products, equipment, systems, utilities, services, parts, supplies, accessories, applications, installations, repairs, external wiring or connectors not supplied or authorized by SAMSUNG that damage this product or result in service problems; incorrect electrical line voltage, fluctuations and surges; customer adjustments and failure to follow operating instructions, maintenance and environmental instructions that are covered and prescribed in the instruction book; product removal and reinstallation; problems caused by pest infestations. This limited warranty does not cover problems resulting from incorrect electric current, voltage or supply, light bulbs, house fuses, house wiring, cost of a service call for instructions, or fixing installation errors. SAMSUNG does not warrant uninterrupted or error-free operation of the product.

Warranty

EXCEPT AS SET FORTH HEREIN, THERE ARE NO WARRANTIES ON THIS PRODUCT EITHER EXPRESS OR IMPLIED, AND SAMSUNG DISCLAIMS ALL WARRANTIES INCLUDING, BUT NOT LIMITED TO, ANY IMPLIED WARRANTIES OF MERCHANTABILITY, INFRINGEMENT OR FITNESS FOR A PARTICULAR PURPOSE. NO WARRANTY OR GUARANTEE GIVEN BY ANY PERSON, FIRM, OR CORPORATION WITH RESPECT TO THIS PRODUCT SHALL BE BINDING ON SAMSUNG. SAMSUNG SHALL NOT BE LIABLE FOR LOSS OF REVENUE OR PROFITS, FAILURE TO REALIZE SAVINGS OR OTHER BENEFITS, OR ANY OTHER SPECIAL, INCIDENTAL OR CONSEQUENTIAL DAMAGES CAUSED BY THE USE, MISUSE, OR INABILITY TO USE THIS PRODUCT, REGARDLESS OF THE LEGAL THEORY ON WHICH THE CLAIM IS BASED, AND EVEN IF SAMSUNG HAS BEEN ADVISED OF THE POSSIBILITY OF SUCH DAMAGES.

NOR SHALL RECOVERY OF ANY KIND AGAINST SAMSUNG BE GREATER IN AMOUNT THAN THE PURCHASE PRICE OF THE PRODUCT SOLD BY SAMSUNG AND CAUSING THE ALLEGED DAMAGE.

WITHOUT LIMITING THE FOREGOING, PURCHASER ASSUMES ALL RISK AND LIABILITY FOR LOSS, DAMAGE, OR INJURY TO PURCHASER AND PURCHASER'S PROPERTY AND TO OTHERS AND THEIR PROPERTY ARISING OUT OF THE USE, MISUSE, OR INABILITY TO USE THIS PRODUCT. THIS LIMITED WARRANTY SHALL NOT EXTEND TO ANYONE OTHER THAN THE ORIGINAL PURCHASER OF THIS PRODUCT, IS NONTRANSFERABLE AND STATES YOUR EXCLUSIVE REMEDY.

Some states or provinces do not allow limitations on how long an implied warranty lasts, or the exclusion or limitation of incidental or consequential damages, so the above limitations or exclusions may not apply to you. This warranty gives you specific rights, and you may also have other rights, which vary from state to state or province to province.

To obtain warranty service, please contact SAMSUNG at:

In CANADA

Samsung Electronics Canada Inc.

2050 Derry Road West

Mississauga, Ontario L5N 0B9 Canada

1-800-SAMSUNG (726-7864)

www.samsung.com/ca/support (English)

www.samsung.com/ca_fr/support (French)

Memo

Memo

Memo

SAMSUNG

QUESTIONS OR COMMENTS?

COUNTRY	CALL	OR VISIT US ONLINE AT
U.S.A	1-800-SAMSUNG (726-7864)	www.samsung.com/us/support
CANADA	1-800-Samsung (726-7864)	www.samsung.com/ca/support (English) www.samsung.com/ca_fr/support (French)

