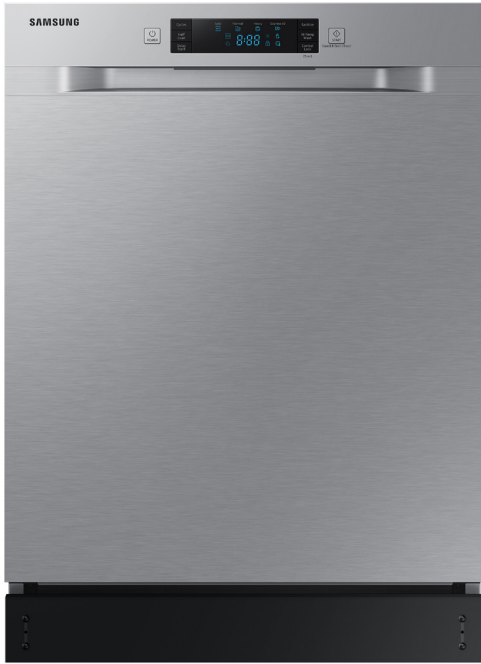


DW60R2014US

SAMSUNG

Samsung Dishwasher with Integrated Digital Touch Controls



Signature Features

ADA compliant

- ADA compliant with low profile installation. Designed for easy control and accessibility

Adjustable Rack

- Height adjustable upper rack makes it easy to accommodate various dishware shapes and sizes

Quiet Cleaning

- 52 dBA lower noise level for quieter cleaning of dishes

Available Color



Stainless Steel



Easy control and accessibility



Adjustable Rack

Features

- Advanced Wash System
- ENERGY STAR® rated: 265 kWh/Year
- 4 Wash Cycles
- 5 Options
- 12 Place Settings
- 52 dBA Noise Level

Convenience

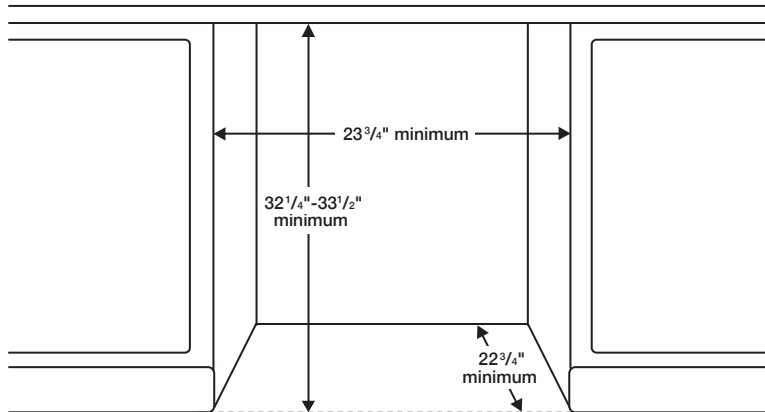
- Control Lock
- Delay Start
- Height-Adjustable Upper Rack
- Digital Water Leakage Sensor

DW60R2014US

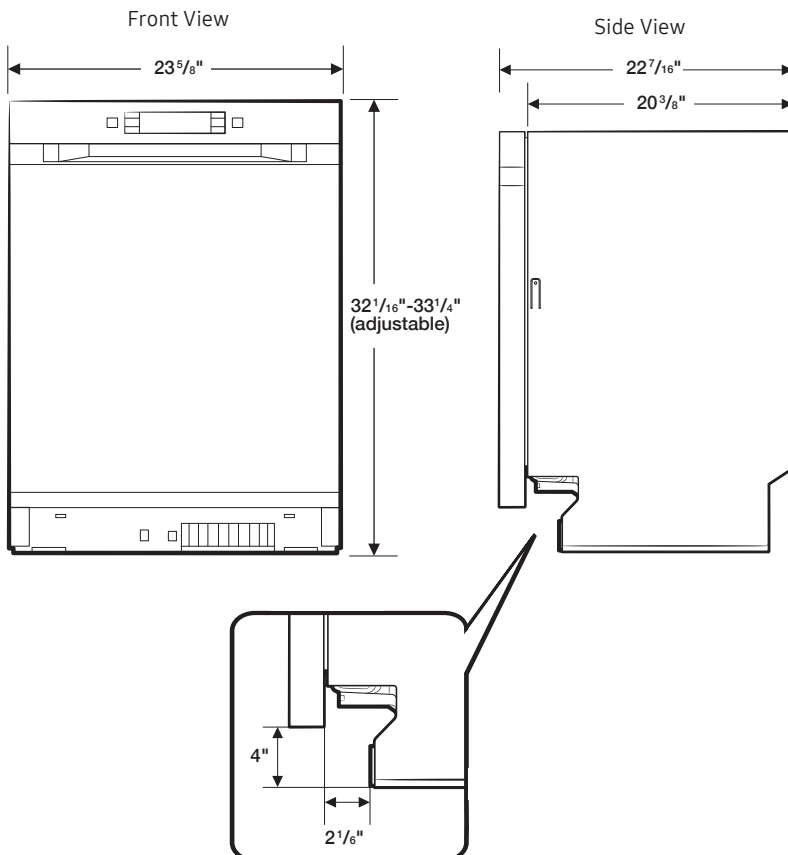
SAMSUNG

Samsung Dishwasher with Integrated Digital Touch Controls

Installation Specifications



Dimensions



Features

- 4 Wash Cycles: Auto, Normal, Heavy, Express 60
- 5 Options: Half Load, Delay Start, Sanitize (Anti-Bacterial-NSF), Hi-Temp Wash, Control Lock

Convenience

- Control Lock
- Digital Water Leakage Sensor
- Height-Adjustable Upper Rack
- Polypropylene Racking
- Silverware Basket

Warranty

One (1) Year All Parts and Labor
Five (5) Year Limited on Printed Circuit Board

Product Dimensions & Weight (WxHxD)

Dimensions: 23⁵/₈" x 32¹/₁₆" x 22⁶/₇"
Weight: 81.6 lbs

Shipping Dimensions & Weight (WxHxD)

Dimensions: 25³/₄" x 34¹/₂" x 25¹/₂"
Weight: 99 lbs

Color	Model #	UPC Code
Stainless Steel	DW60R2014US	887276303536