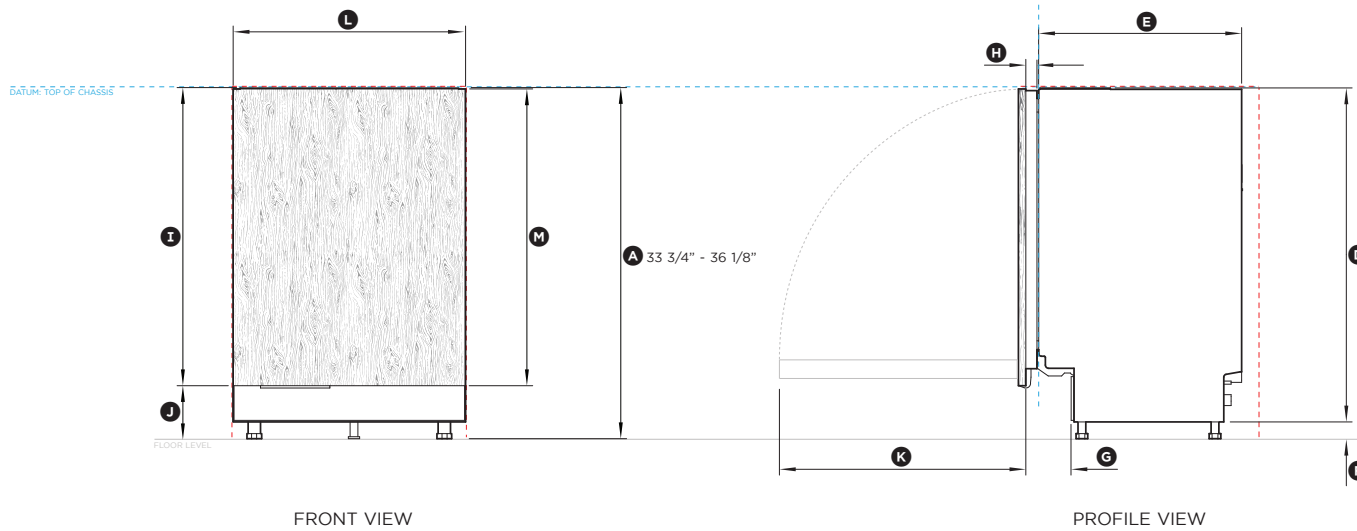
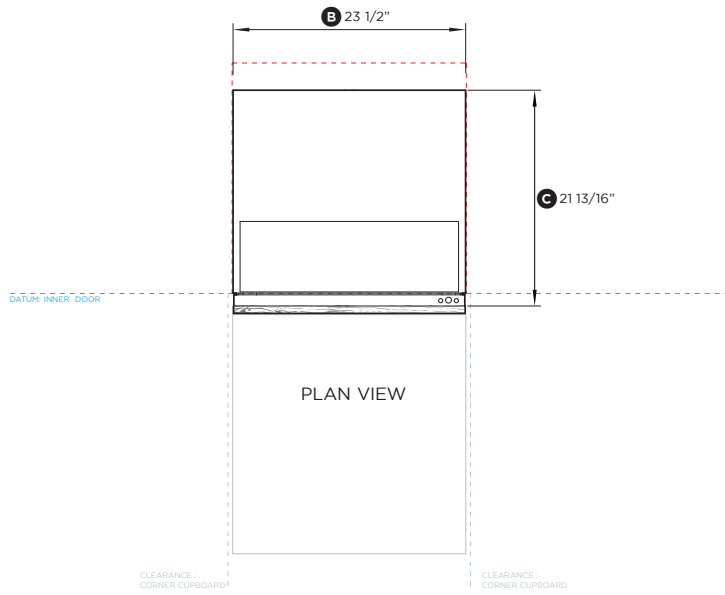
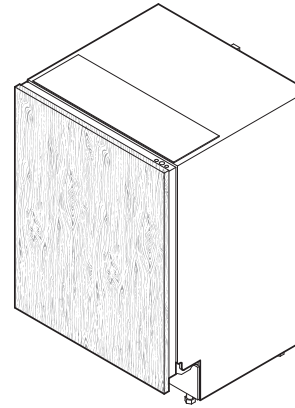


FISHER & PAYKEL

DATA SHEET 24" Integrated Dishwasher Tall

Model nos:
DW24UT4I2,
DW24UT2I2



Product Dimensions	in	mm
Ⓐ Overall height of product*	33 3/4" - 36 1/8"	857 - 917
Ⓑ Overall width of product**	23 1/2"	597
Ⓒ Overall depth of product (incl. inner door)**	21 13/16"	554
Ⓓ Height of chassis	33 3/4"	857
Ⓔ Depth of chassis (excl. inner door)**	20 1/2"	521
Ⓕ Height of feet*	0 - 2 3/8"	0-60
Ⓖ Depth of toe kick recess	4 9/16"	116
Ⓗ Depth of inner door	1 5/16"	33
Ⓘ Height from top of chassis to bottom door panel	30 1/16"	764
Ⓚ Height from to bottom of door to floor*	5 7/16" - 7 13/16"	138 - 198
Ⓛ Minimum depth of open door	26 1/2"	673
Ⓜ Minimum width of custom door panel	23 7/16"	595
Ⓨ Minimum height of custom door panel	28 1/8" - 31 1/16"	714 - 789

*Depending on adjustment of levelling feet
**Excluding side seals

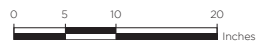
Minimum Clearances	in	mm
Minimum inside height of cavity*	33 3/4"	857
Minimum inside width of cavity	23 5/8"	600
Minimum overall depth of cavity	22 13/16"	580
Minimum clearance to corner cupboard	1/2"	13
Height of toe kick area	2 9/16" - 7 7/8"	65 - 200
Minimum clearance to adjacent cupboard door	1/16"	2

*Depending on adjustment of levelling feet

INDICATES PRODUCT DATUM -----
INDICATES CABINETRY CLEARANCES -----

DATE: 05.07.2023

90002974A

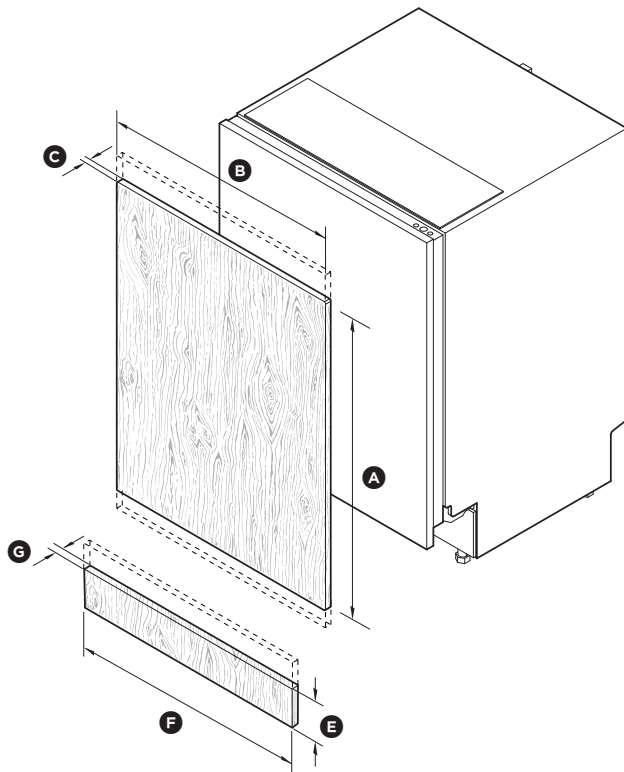
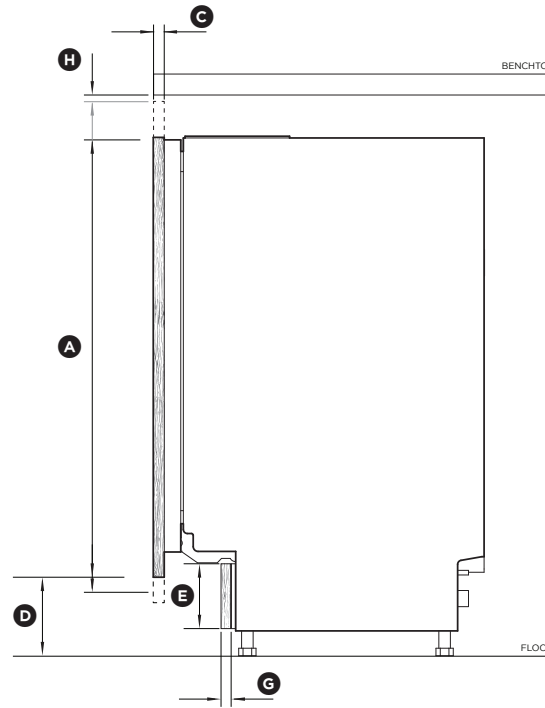


IMPORTANT NOTE: Throughout this guide, dimensions may vary by ±2mm (1/16"). Please read the installation guide for detailed information on installing the product. For full installation instructions & specifications visit fisherpaykel.com

FISHER & PAYKEL

DATA SHEET 24" Integrated Dishwasher Tall

Model nos:
DW24UT412,
DW24UT212



Product Dimensions	in	mm
Ⓐ Minimum height of custom door panel for full coverage of the inner door	28 1/8"	714
Maximum height custom door panel	31 1/16"	789
Ⓑ Minimum width of custom door panel	23 7/16"	596
Ⓒ Depth of custom door panel	5/8" - 1"	16 - 25
Ⓓ Height from floor to door panel base*	2 3/4" - 7 7/8"	70 - 200
Ⓔ Toe kick panel height*	2 3/4" - 7 7/8"	70 - 200
Ⓕ Minimum width of custom toe kick panel	23 7/16"	595
Ⓖ Minimum toe kick panel depth	1/4"	7
Ⓖ Minimum clearance between top of door panel and benchtop	1/16"	2
Weight of door panel (including handle)	9 - 20lb	

*Depending on adjustment of levelling feet

IMPORTANT NOTE:
For full installation and clearance details please refer to our installation manual.

Electrical requirements	120V, 60Hz, Maximum current 8.9A
Water pressure	0.03-1MPa

INDICATES PRODUCT DATUM -----
INDICATES CABINETS CLEARANCES -----

DATE: 05.07.2023

90002974A

IMPORTANT NOTE: Throughout this guide, dimensions may vary by ±2mm (1/16"). Please read the installation guide for detailed information on installing the product. For full installation instructions & specifications visit fisherpaykel.com

