

FISHER & PAYKEL

DISHWASHER

DW24U6I1 & DW24U2I1 models

INSTALLATION GUIDE

US CA

CONTENTS

- ① SAFETY AND WARNINGS
- ② COMPONENTS
- ③ TOOLS
- ④ TECHNICAL DATA
- ⑤ BEFORE INSTALLATION
- ⑥ APPLIANCE DIMENSIONS
- ⑦ CABINETY DIMENSIONS
- ⑧ ELECTRICAL AND PLUMBING PREPARATION
 - ⑨ CAVITY PREPARATION
 - ⑩ ATTACH INFILL BRACKET
 - ⑪ CUSTOM DOOR PANEL PREPARATION
- [A] DRILL PILOT HOLES USING SUPPLIED TEMPLATE OR [B] MANUALLY MARK AND DRILL PILOT HOLES
- ⑫ ATTACHING CUSTOM DOOR PANEL
 - ⑬ LEVEL DISHWASHER
 - ⑭ ALIGN APPLIANCE IN CABINETY
 - ⑮ ELECTRICAL CONNECTION
 - ⑯ HARD PLUMBING
 - ⑰ PLUMBING AND DRAINAGE OPTIONS
 - ⑱ TOE KICK INSTALLATION
 - ⑲ SECURE THE APPLIANCE
- [A] FIX THE PRODUCT TO ADJACENT CABINETY OR [B] FIX THE APPLIANCE TO BENCHTOP ABOVE
- ⑳ CONNECT INLET HOSE TO HOT WATER
 - ㉑ CONNECT TO POWER
 - ㉒ TROUBLESHOOTING
 - ㉓ FINAL CHECKLIST

IMPORTANT!

SAVE THIS INSTALLATION GUIDE

The models shown in this installation guide may not be available in all markets and are subject to change at any time. For current details about model and specification availability in your country, go to our website fisherpaykel.com or contact your local Fisher & Paykel dealer.

⚠ WARNING!



Electrical Shock Hazard

Before installing the dishwasher, remove the house fuse or open the circuit breaker.

Ensure that a qualified electrician or service representative has checked if the appliance is properly grounded.

Improper connection of equipment-grounding conductor can result to risk of electric shock.

Do not modify the power supply plug provided with the appliance — if it will not fit the outlet, have a proper outlet installed by a qualified electrician.

Do not use an extension cord, adapter plug or multiple outlet box.

Ensure the dishwasher is completely enclosed at the time of installation to reduce the risk of electrical shock, fire, or personal injury.

Ensure the dishwasher is disconnected from the power supply before fitting the front panels.

Ensure components such as panel bracket and any custom metal component (eg handle) that extends past the rubber seal, are electrically grounded after installing the front panels.

Failure to follow these advice may result in electrical shock or death.

⚠ WARNING!



Cut Hazard

Take care — panel edges are sharp.

Failure to use caution could result in injury or cuts.

IMPORTANT SAFETY GUIDE

- This dishwasher is manufactured for indoor use only.
- Ensure to follow safety and the warnings to prevent electrical shock, injury or fire.
- Ensure to remove all packaging materials supplied with the dishwasher.
- This dishdrawer is intended for connection to the hot-water supply.
- The dishwasher **MUST** be installed to allow for future removal from the enclosure if service is required.
- Installation of this dishwasher requires basic mechanical and electrical skills.
- Installation must comply with your local building, electricity, and plumbing regulations.
- It is the responsibility of the plumber and electrician to ensure that each installation complies with all Codes and Regulations.
- The switched power outlet must be located outside the dishwasher cavity to allow easy access after installation. Take care when installing or removing the appliance to avoid possible damage to the power supply cord and hoses.
- If the dishwasher is to be relocated from one installation to another it must be kept upright to avoid damage from water spillage.
- Make sure only new hoses are used for connection (supplied with the dishwasher). Old hoses should not be reused.
- Failure to install the dishwasher correctly could invalidate any warranty or liability claims.
- Fitting integrated front panels requires access to electrical service areas. This work must be performed and certified by a qualified electrical service technician.
- Ensure the appliance is not plugged in when fitting custom panels.
- Failure to install the custom panels correctly could invalidate any warranty or liability claims.
- At the completion of the dishwasher installation, the Installer must perform the Final Checklist.

GROUNDING

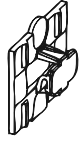
- This appliance must be grounded. In the event of a malfunction or breakdown, grounding will reduce the risk of electric shock by providing a path of least resistance for electric current.
- This appliance is equipped with a cord having an equipment-grounding conductor and a grounding plug. The plug must be plugged into an appropriate outlet that is installed and grounded in accordance with all local codes and ordinances.
- If the dishwasher is installed as a permanently connected appliance:
This appliance must be connected to a grounded metal, permanent wiring system, or an equipment-grounding conductor must be run with the circuit conductors and connected to the equipment-grounding terminal or lead on the appliance.

2 COMPONENTS

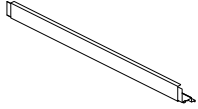
Supplied parts



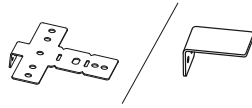
Drain hose support
(1)



Plastic slider
(1)



Infill bracket
(1)



Mounting brackets for wood
countertop or side cabinets (2)



Ø3.5 x 1/2" (12mm) screws
(4)



Ø4 x 1" (25mm) screws
(4)



Ø3.9 x 1 1/2" (38mm) screws
(4)



Ø3.9 x 1/2" (13mm) screws
(4)



Moisture protection tape for
cabinetry (1)



User guide
(1)



Service &
Warranty (1)



Installation guide
(1)



Door panel template
(1)

Required parts



UL-listed wire nuts
(3)

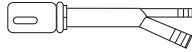


Thread seal tape
(1)

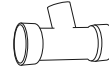


3/4" (19mm)
Elbow 90° (1)

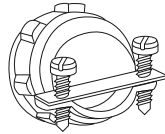
Components for new installation only (available in hardware stores)



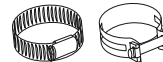
Air gap for drain hose
(use only if required)



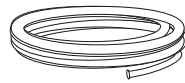
Waste tee for house plumbing
(use only if required)



3/4" (16mm) Strain relief for
electrical connection



Screw-type hose clamps



Hot water line with ferrule and
compression nut - min 3/8"
(9.5mm) copper tubing or flexible
braided hose



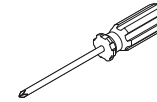
ØElectrical cable or Power cord
kit (5' 4" long) or (7' 9" long)
depending on your installation



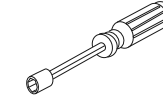
Hand shut-off valve (recommended)

3 TOOLS

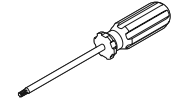
Required tools



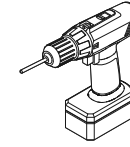
Phillips-head
screwdriver



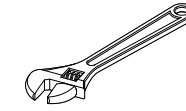
Nutdriver
1/4" (6.35mm) and 5/16"
(7.94mm)



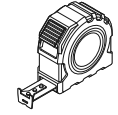
Torque driver T25



Powered drill



Adjustable wrench 6"
(152.4mm)



Measuring tape



Safety glasses



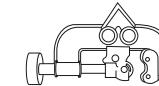
Flashlight



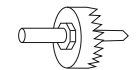
Gloves



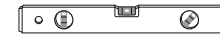
Bucket - for flushing
the line



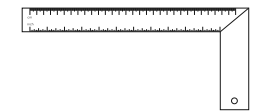
Tubing cutter



Hole saw set



Level



Carpenter's square



Allen key 1/4" (6mm)

4 TECHNICAL DATA

Technical data

Check the electrical data on the rating label (located on the left-hand side of the dishwasher's stainless steel inner door). If the data on the rating label are different to the specification below, consider the data as correct.

	DW24U2I1 models	DW24U6I1 models
Capacity	12 place settings	14 place settings
Mains water pressure	0.03-1 MPa (= 0.3-10 bar)	0.03-1 MPa (= 0.3-10 bar)
Power voltage	120V (60 Hz)	120V (60 Hz)
Maximum current intensity	8.9 A	8.9 A
Total absorbed power	1050 W	1050 W

Anti-flood protection

This dishwasher has anti-flood protection which will stop the water flowing in the event of a leak within the machine.

5 BEFORE INSTALLATION

Unpacking and handling

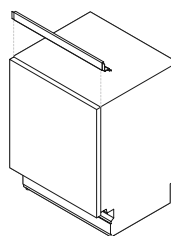
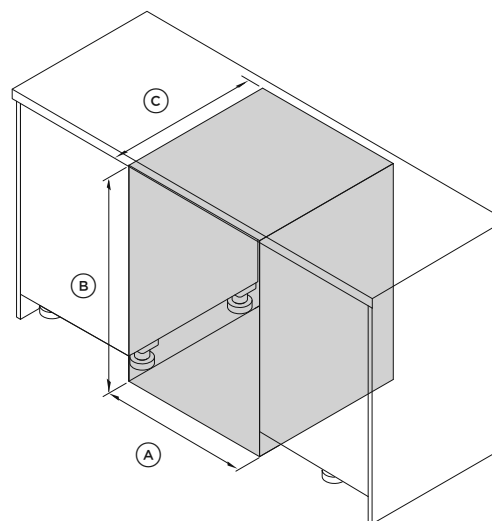
- Check packaging and dishwasher for signs of transport damage. Do not install if the dishwasher is damaged. Contact the dealer where you purchased the dishwasher.
- We recommend to recycle some of the packaging. Check the symbols and labels to ensure if recycling is possible.
- Always be careful with the hoses and power cord at the back of the dishwasher. Ensure they are not squashed, kinked or cut to prevent damage and malfunction.

Connections and services

- Do not use extension cords or multi-outlet power boards to connect the dishwasher to the power supply.
- Do not connect the dishwasher to a water system where the temperature exceeds 140°F (60°C), or where there is no temperature control, eg wetback system, unless the system is fitted with a suitable tempering valve.
- Do not connect the dishwasher to an undersink high-pressure 'push-through' type hot water system to prevent damage to the system.

Accessory door panels installation options

- ADA Door panel (82085)
 - Standard (Tall) door panel with infill bracket (82084)
- Refer to Quick installation guide (595703A) for more information



If opting for the standard install method, an infill bracket must be fitted.

Identify install method

Based on your cabinetry dimensions, identify the appropriate installation method. For further cabinetry dimensions, refer to pages 8-9

Standard install

CABINERY DIMENSIONS	in	mm
(A) Inside width of cavity	24	610
(B) Inside height of cavity*	34 - 36 1/2	864 - 927
(C) Inside depth of cavity**	24	610

* depending on adjustment of levelling feet

** incl. 3/4" (19mm) panels

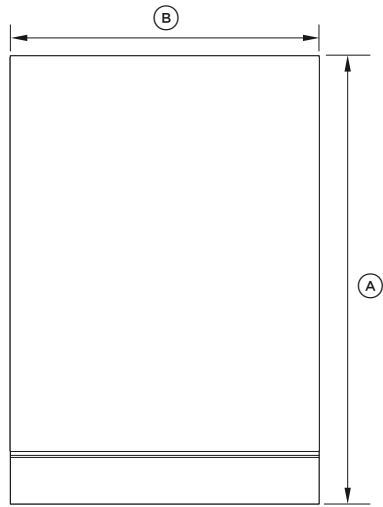
ADA install

CABINERY DIMENSIONS	in	mm
(A) Inside width of cavity	24	610
(B) Inside height of cavity*	32 3/8 - 34 5/8	822 - 880
(C) Inside depth of cavity**	24	610

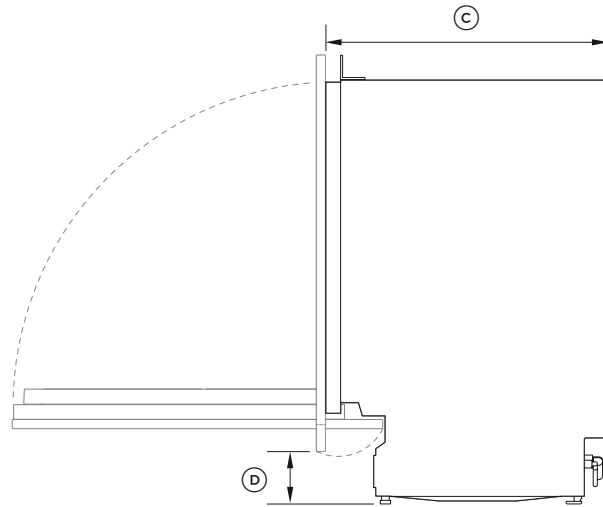
* depending on adjustment of levelling feet

** incl. 3/4" (19mm) panels

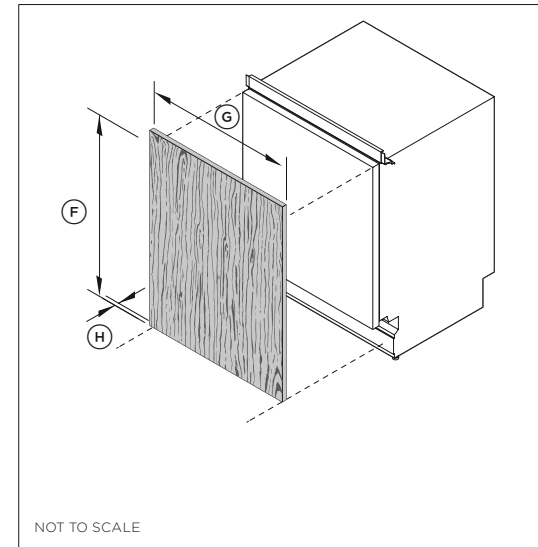
6 APPLIANCE DIMENSIONS: STANDARD



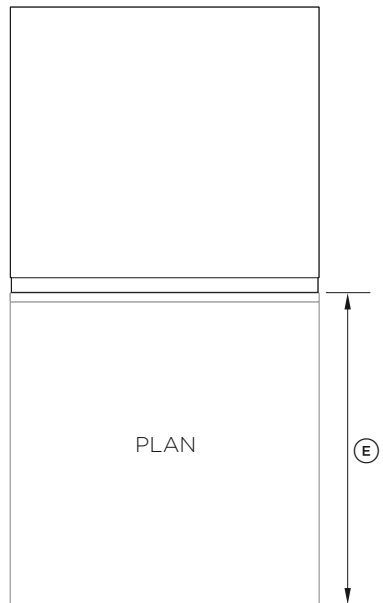
FRONT



PROFILE



NOT TO SCALE



PLAN

APPLIANCE DIMENSIONS

(A)	Overall height of appliance*
(B)	Overall width of appliance (excl. side seals)
(C)	Overall depth of appliance (excl. custom panel & handle)
(D)	Height from floor to bottom of of: <ul style="list-style-type: none"> • custom door panel • accessory door panel
(E)	Depth of open door (measured from front of chassis) (excl. custom panel)

* depending on adjustment of levelling feet

DW24U6I1/DW24U2I1 models

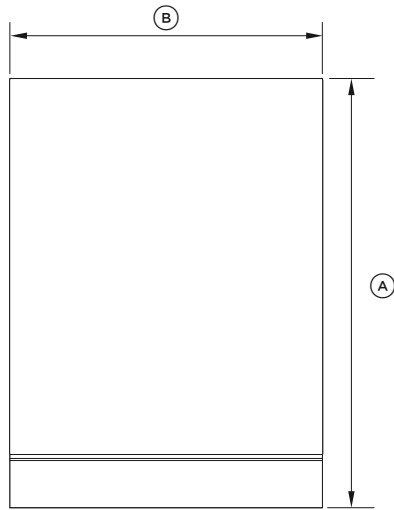
	in	mm
(A)	34 - 36 1/2	864 - 927
(B)	23 3/4	603
(C)	22 3/4	579
(D)	4 - 8	100 - 200
	4 - 6 3/8	100 - 160
(E)	23 7/8	606

DOOR PANEL DIMENSIONS

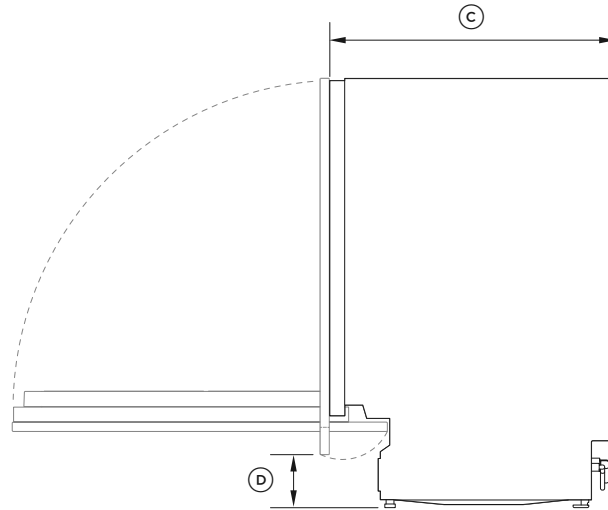
	CUSTOM PANEL		STAINLESS STEEL PANEL	
	in	mm	in	mm
(F) Height*	28 1/4 - 30 1/4	717 - 769	29 3/4	756
(G) Width*	23 7/16 - 23 13/16	596 - 605	23 7/16	595
(H) Depth*	5/8 - 3/4	16 - 19	3/4	19

* depending on cabinetry dimensions

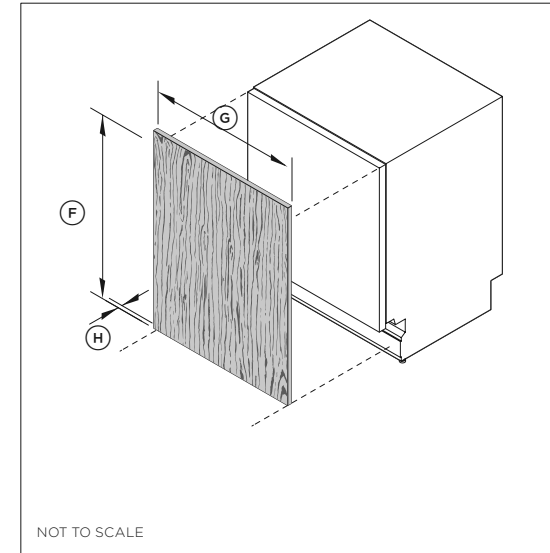
6 APPLIANCE DIMENSIONS: ADA



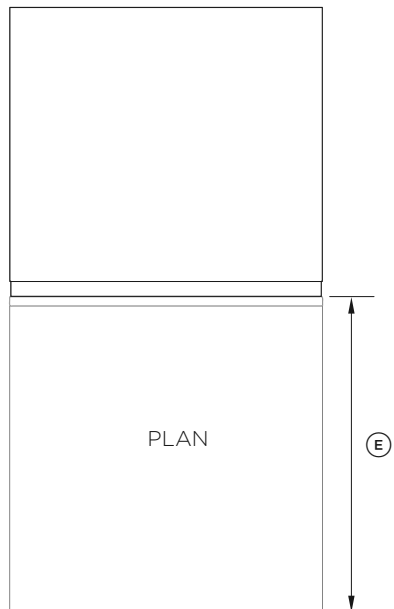
FRONT



PROFILE



NOT TO SCALE



PLAN

APPLIANCE DIMENSIONS

	DW24U611/DW24U211 models	
	in	mm
(A) Overall height of appliance*	32 5/16 - 34 5/8	821-880
(B) Overall width of appliance (excl. side seals)	23 3/4	603
(C) Overall depth of appliance (excl. custom panel & handle)	22 3/4	579
(D) Height from floor to bottom of of:		
• custom door panel	4 - 8	100 - 200
• accessory door panel	4 - 6 3/8	100 - 160
(E) Depth of open door (measured from front of chassis) (excl. custom panel)	23 7/8	606

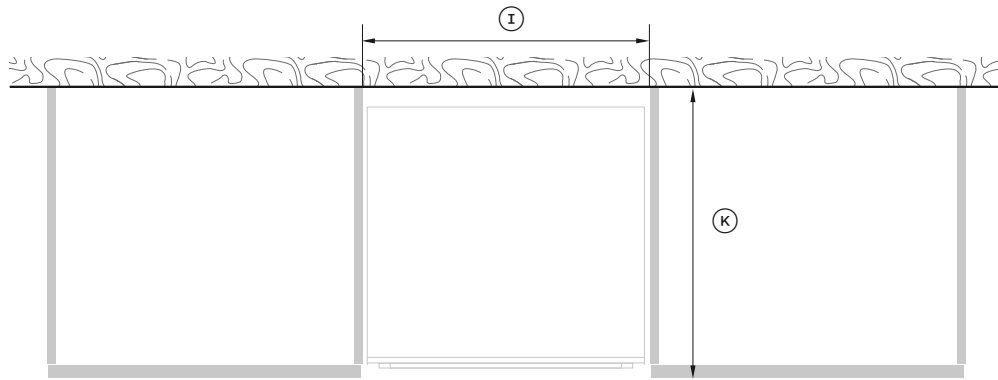
* depending on adjustment of levelling feet

DOOR PANEL DIMENSIONS

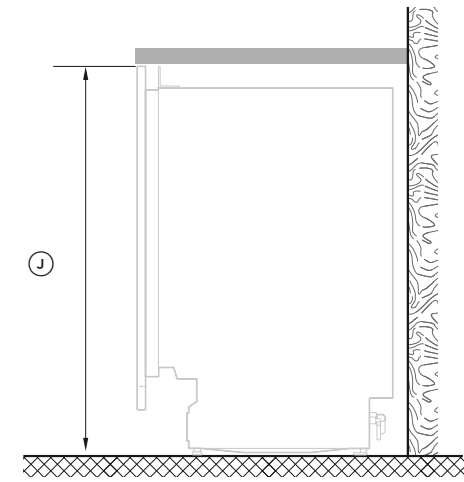
	CUSTOM PANEL		STAINLESS STEEL PANEL	
	in	mm	in	mm
(F) Height*	26 1/2 - 28 1/4	674 - 717	28 1/8	714
(G) Width*	23 7/16 - 23 13/16	596 - 605	23 7/16	595
(H) Depth*	5/8 - 3/4	16 - 19	3/4	19

* depending on cabinetry dimensions

⑦ CABINETY DIMENSIONS: STANDARD



PLAN



PROFILE

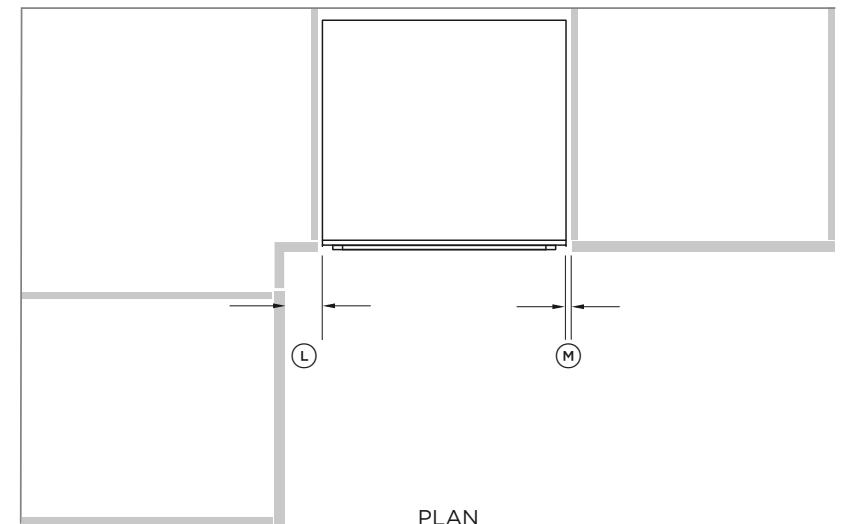
DW24U6I1/DW24U2I1 models

CABINETY DIMENSIONS		in	mm
Ⓘ	Inside width of cavity	24	610
Ⓙ	Inside height of cavity*	min 34 max 36 1/2	864 927
Ⓚ	Inside depth of cavity (incl. 3/4" (19mm) panels)	24	610

* depending on adjustment of levelling feet

DW24U6I1/DW24U2I1 models

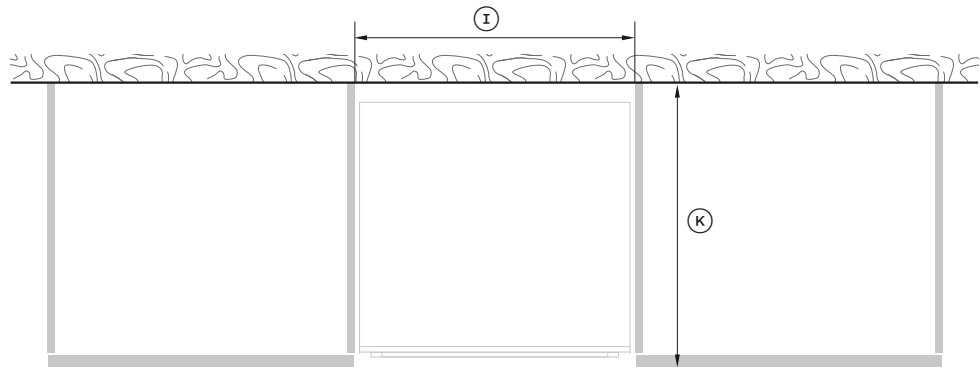
CLEARANCE DIMENSIONS		in	mm
Ⓛ	Clearance from corner cupboard	1/2	13
Ⓜ	Clearance to adjacent cupboard door	min. 1/16	2



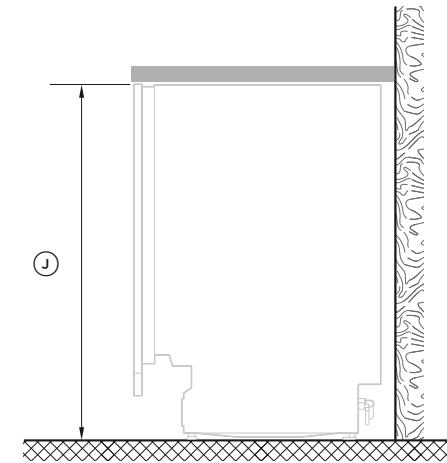
PLAN

Before installing the standard (tall) door panel, an infill bracket must be attached as a cosmetic feature to fill the gap between the top of the dishwasher and underside of cabinet top.

⑦ CABINETY DIMENSIONS: ADA



PLAN



PROFILE

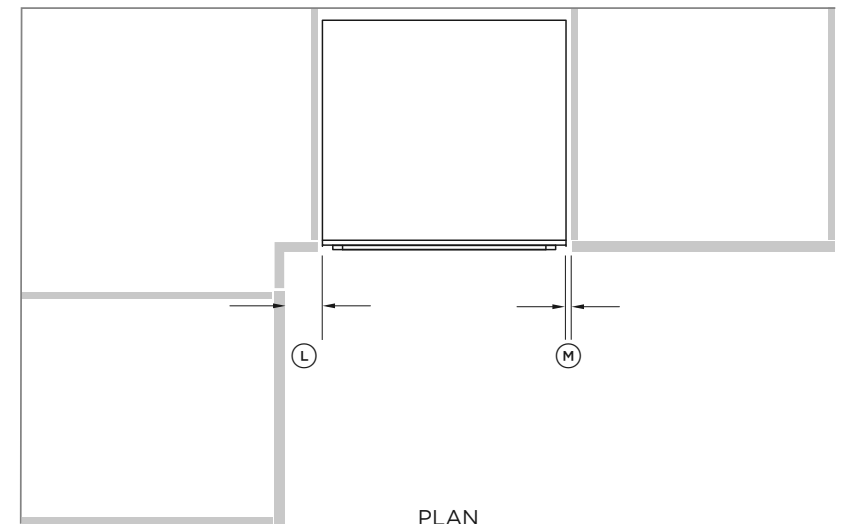
DW24U6I1/DW24U2I1 models

CABINETY DIMENSIONS	in	mm
Ⓘ Inside width of cavity	24	610
Ⓙ Inside height of cavity*	32 3/8 - 34 5/8	822 - 880
Ⓚ Inside depth of cavity (incl. 3/4" (19mm) panels)	24	610

* depending on adjustment of levelling feet

DW24U6I1/DW24U2I1 models

CLEARANCE DIMENSIONS	in	mm
Ⓛ Clearance from corner cupboard	1/2	13
Ⓜ Clearance to adjacent cupboard door	min. 1/16	2



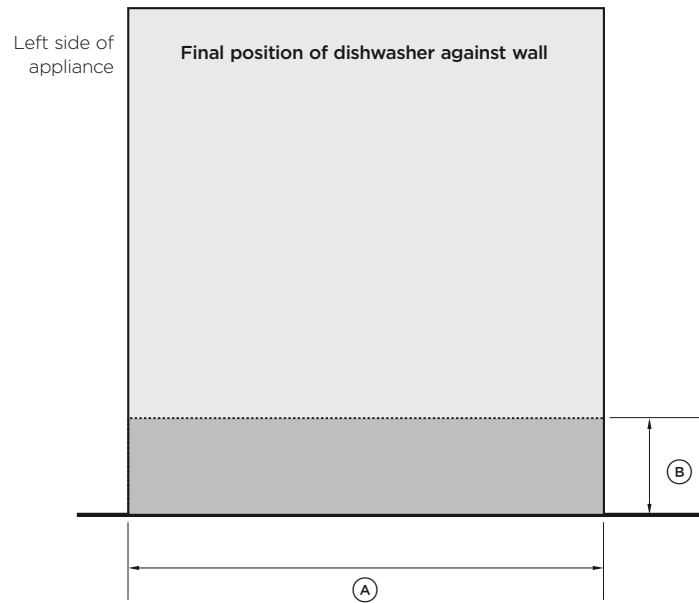
PLAN

8 ELECTRICAL AND PLUMBING PREPARATION

Select plumbing option

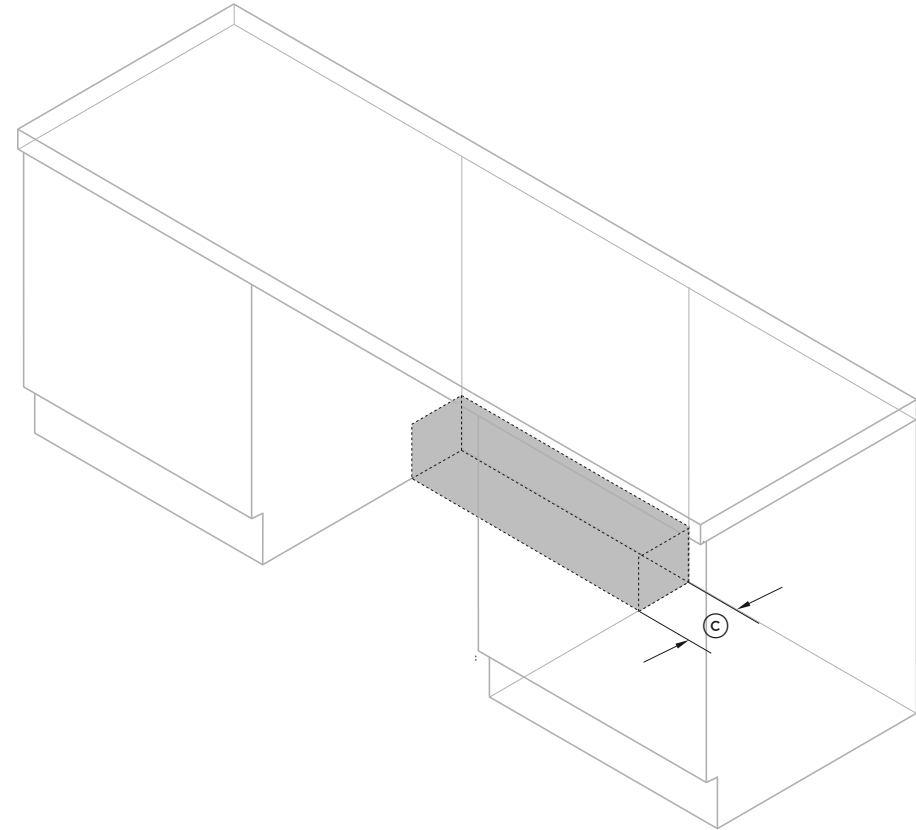
- Hose connection
- Copper pipe connection

Refer to 'Plumbing and Drainage options' (page 16) for more information.

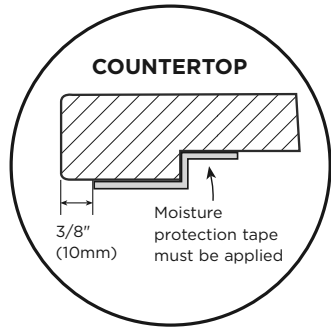


Supply area dimensions

SECTION	inches	mm
(A)	24	610
(B)	4 15/16	125
(C)	2	50



9 CAVITY PREPARATION



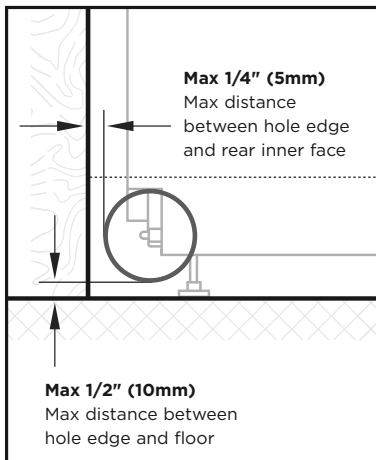
IMPORTANT!

The power outlet must be located in a cabinet adjacent to the dishwasher cavity. 110-120 VAC max. 15 A

Note: if no side partition is present, a timber bracing can be constructed for securing to.

WARNING!

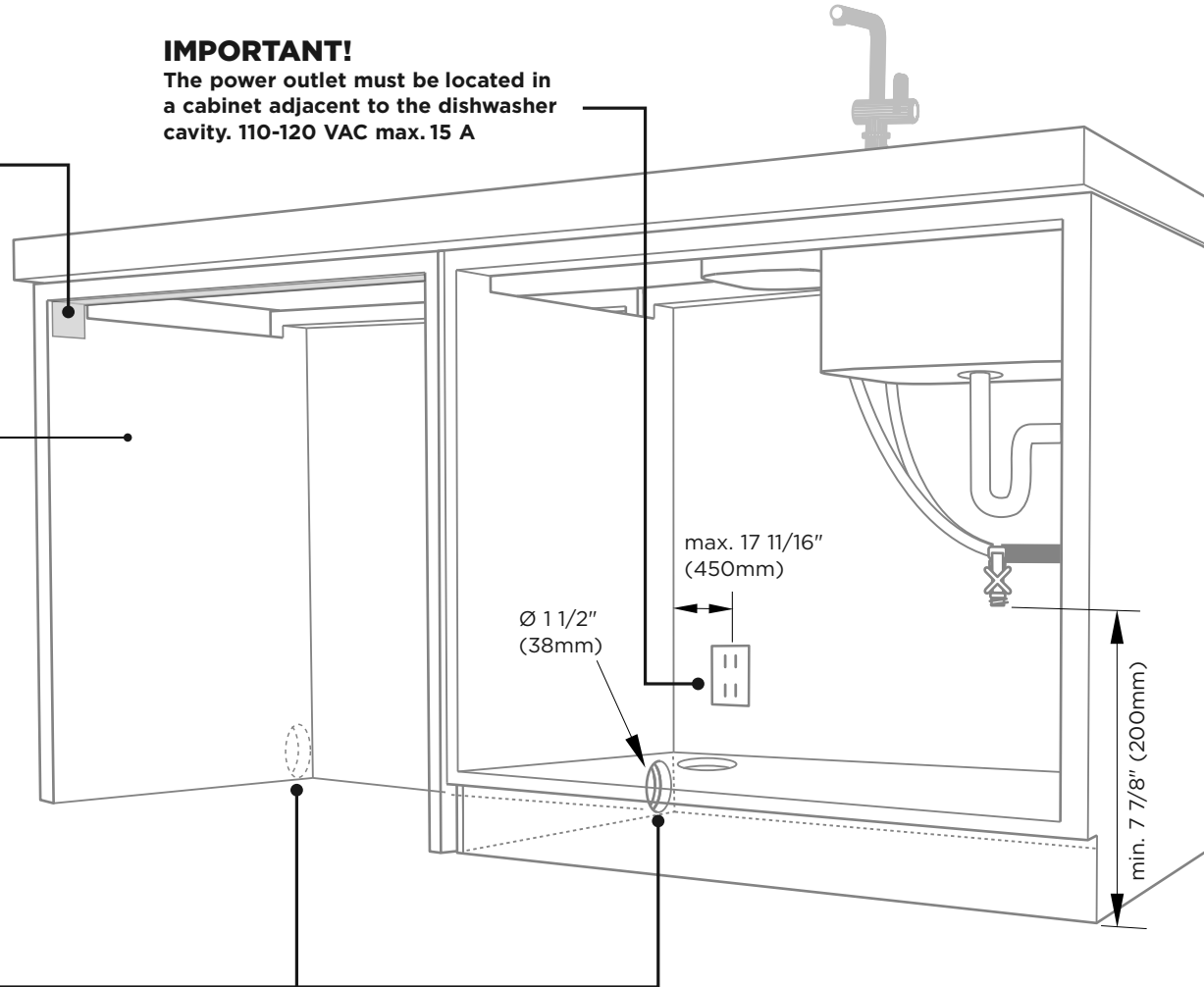
Incorrect placement of the hole will result in damage to hoses.



Service Holes

Can be located either side of dishwasher, close to the rear face and the floor, as illustrated, for access to the water supply and drain.

- If the hole is through wood, make sure its edges are smooth and rounded.
- If the hole is through metal, ensure you fit the supplied Edge Protector to prevent damage to the power cord.



Water Connection

Recommended **HOT**
(Maximum 140°F/60°C).

Supplied hose to suit 3/8" (9mm) male compression fitting.

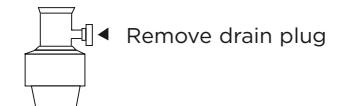
Water Pressure

Water softener models
Max. 1 MPa (145 psi)
Min. 0.1 MPa (14.5 psi)

Models without water softener
Max. 1 MPa (145 psi)
Min. 0.03 MPa (4.3 psi)

IMPORTANT!

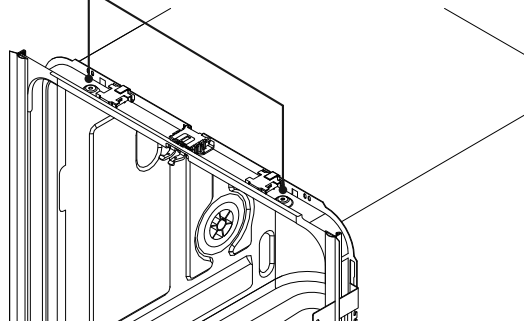
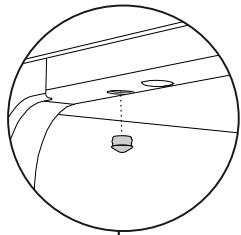
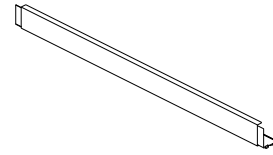
When connecting drain line to disposer, check to be sure that drain plug has been removed. Dishwasher will not drain if plug is left in place.



10 ATTACH INFILL BRACKET AND MOUNTING BRACKETS

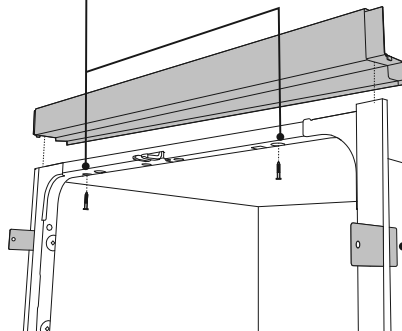
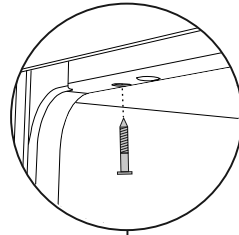
IMPORTANT!

- The infill bracket is installed as a cosmetic feature to fill the empty space visible for cabinets with cavity height of 34" or above.
- Installation of infill bracket is not needed for cabinets with ADA standard.



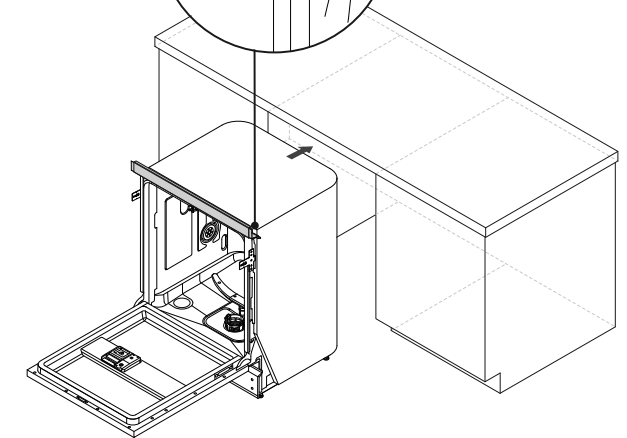
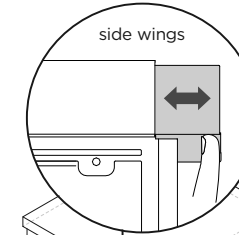
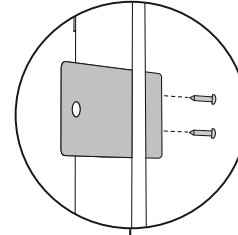
1 Remove plastic plugs

- Open the door.
- Push a small screwdriver downward through the screw hole from the top of the appliance to remove the plastic plug.



2 Install the infill bracket and side bracket

- Remove two screws pre-installed from the infill bracket.
- Use the same screws to attach the infill bracket to the top of the appliance. Do not tighten fully.
- Fix the two L-shaped brackets to either side of the appliance using two screws per bracket.

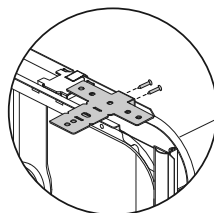


3 Align and adjust appliance in cabinetry

- Push the appliance into the cabinetry. Ensure the infill bracket do not hit the top of the cabinet while pushing. (Refer to 'Align appliance in cabinetry' for more details.)
- Slide the side wings of the bracket outward to cover the hollow space.
- Hand tighten the two screws.

ADA installations:

- Fix the two T-shaped brackets to either end of the top of the appliance using two screws per bracket.
- **Optional:** Fix the two L-shaped brackets to the sides of the appliance as shown in step 2.
- Continue to page 13.



11 CUSTOM DOOR PANEL PREPARATION

Stainless Steel door installation

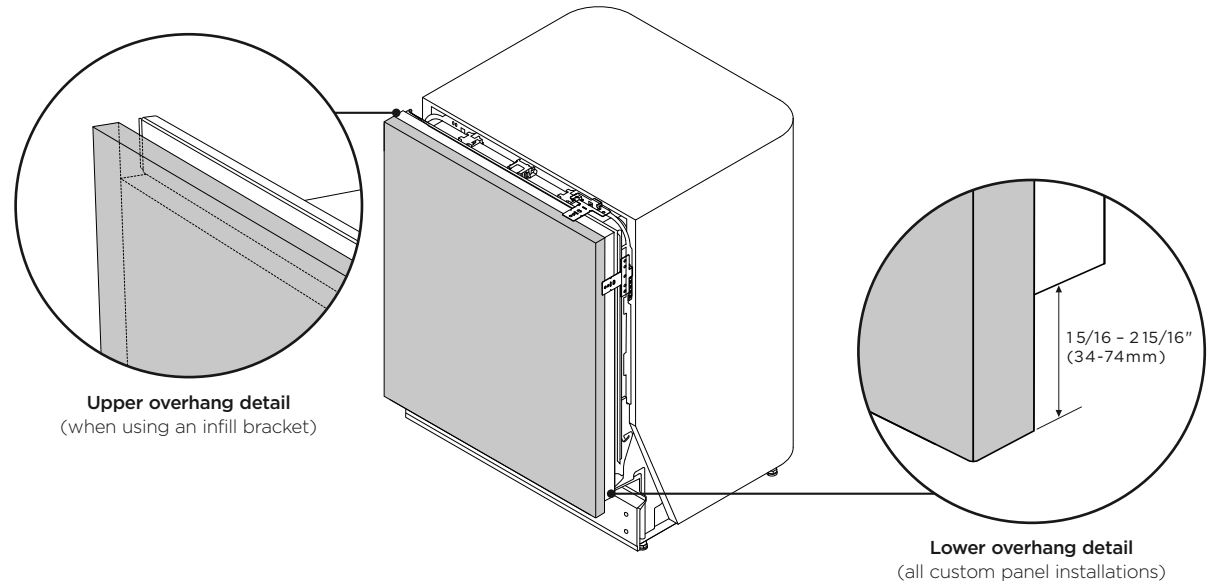
For guidance on fitting a stainless steel door panel, refer to installation guide 595703A for details.

IMPORTANT!

- Ensure the custom door panel has the correct specifications to fit the front of the dishwasher.
- Ensure the back and sides of the panel are completely sealed with a waterproof vapor barrier (ie polyurethane). The barrier allows the panel to withstand moisture (122°F (50°C) @ 80% RH) and prevent damage during hot and wet environment.
- Overall weight of custom door panel must be between 8.9-17.6lbs (4-8kg)

Measure the panel and overhang

Measure the custom panel and check the overhang length from the base of the door.



[A] DRILL PILOT HOLES USING SUPPLIED TEMPLATE

Using the supplied Door Panel Template, mark out and drill the required pilot holes into your custom panel. Ensure pilot holes are 1/16" (2mm) wide and 1/2" (12mm) deep.



[B] MANUALLY MARK AND DRILL PILOT HOLES

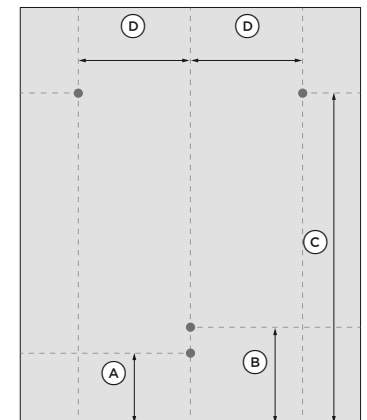
If the template is not available, mark the pilot holes manually on your custom panel based on measurements in the below table. Ensure pilot holes are 1/16" (2mm) wide and 1/2" (12mm) deep.

If overhang is between 1 5/16" (34mm) and 2 1/8" (54mm):

PANEL A MEASUREMENTS	in (mm)
Ⓐ Base of panel to lower bracket hole	4 1/16 (103)
Ⓑ Base of panel to upper bracket hole	4 7/8 (124)
Ⓒ Base of panel to handle holes	18 9/16 (472)
Ⓓ Centre line to handle holes	9 1/4 (235)

If overhang is between 2 1/8" (54mm) and 2 15/16" (74mm):

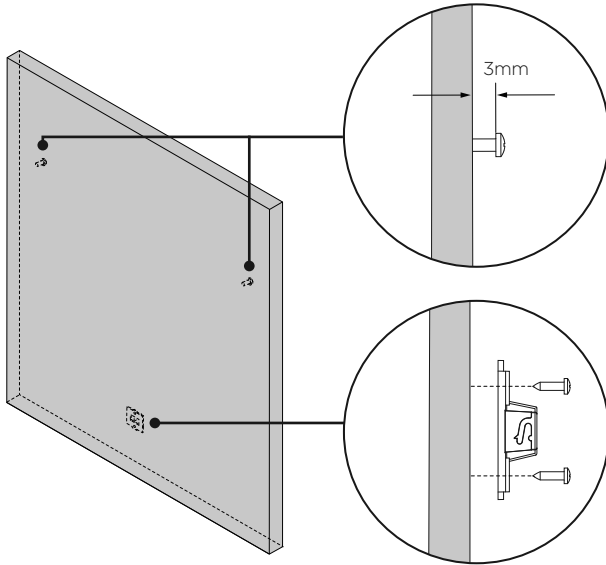
PANEL B MEASUREMENTS	in (mm)
Ⓐ Base of panel to lower bracket hole	4 13/16 (123)
Ⓑ Base of panel to upper bracket hole	5 11/16 (144)
Ⓒ Base of panel to handle holes	19 3/8 (492)
Ⓓ Centre line to handle holes	9 1/4 (235)



Note: measurements are to center of holes.

12 ATTACHING CUSTOM DOOR PANEL

Top screw detail
(between panel and screw head)

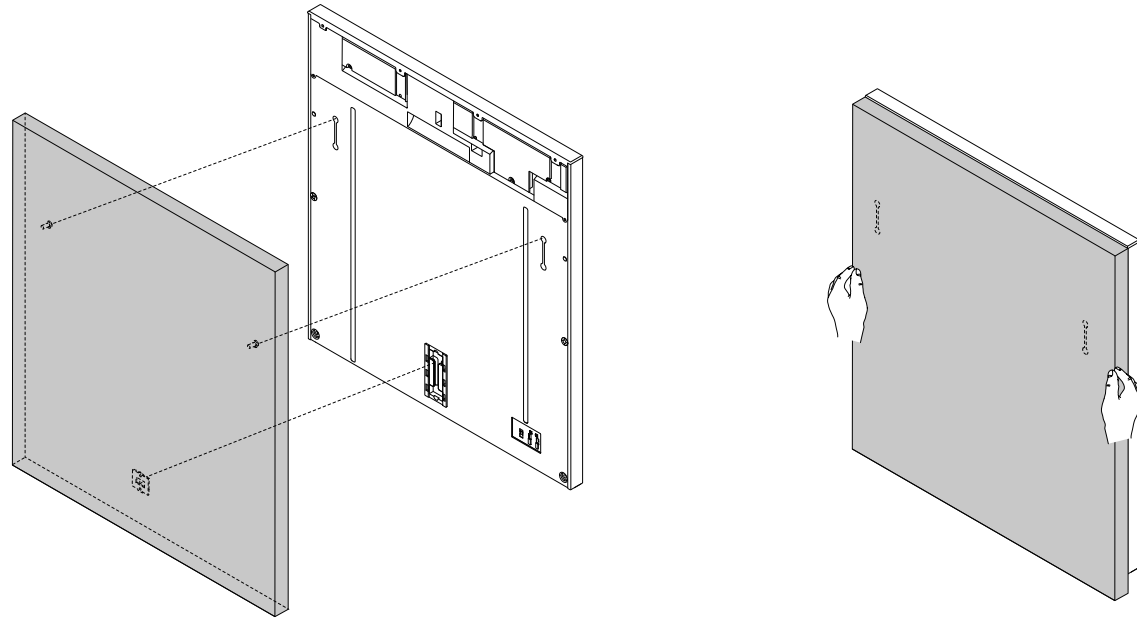


① **Fix slider bracket and screws to custom panel**

Insert $\text{Ø}3.9 \times 1/2''$ (13mm) screws through the top two pilot holes. Fix the slider bracket to the panel through the lower pilot holes.

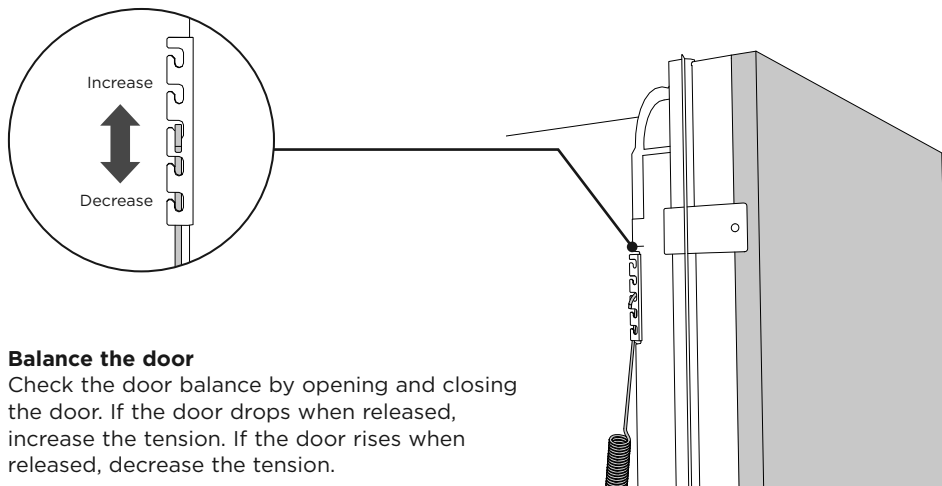
② **Hang custom panel onto the door**

Close the door of the dishwasher and align the screws and the bracket on the custom panel to the front of the dishwasher door.



③ **Adjust the placement of the custom panel**

Slide the custom panel up or down to position it in the desired location.

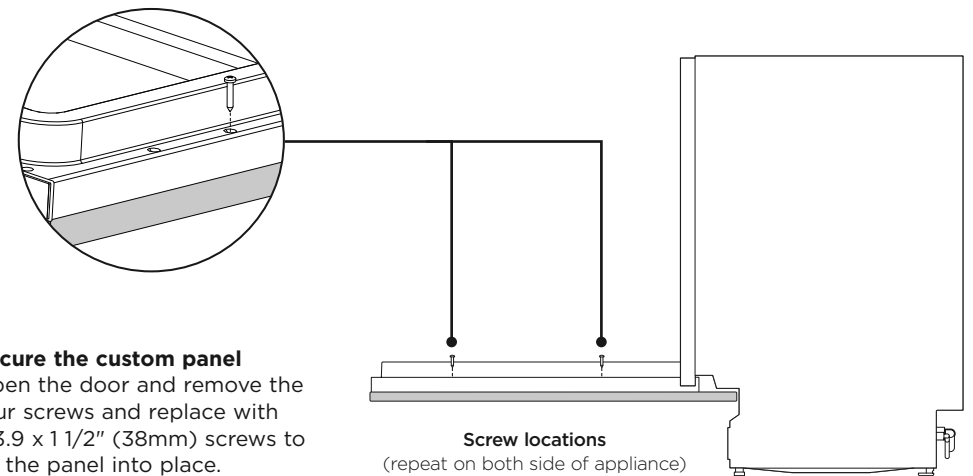


④ **Balance the door**

Check the door balance by opening and closing the door. If the door drops when released, increase the tension. If the door rises when released, decrease the tension.

⑤ **Secure the custom panel**

Open the door and remove the four screws and replace with $\text{Ø}3.9 \times 1 1/2''$ (38mm) screws to fix the panel into place.

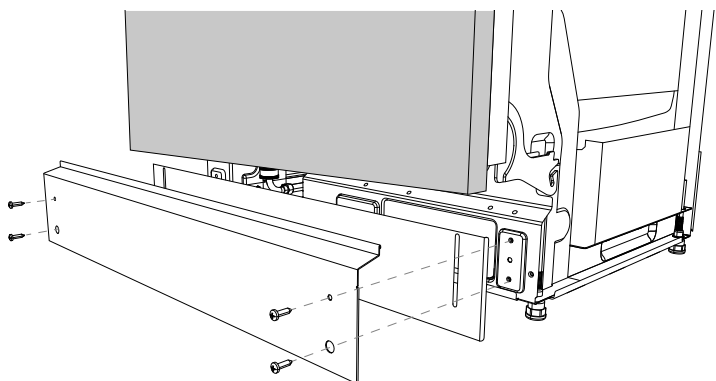


13 LEVEL DISHWASHER

IMPORTANT!

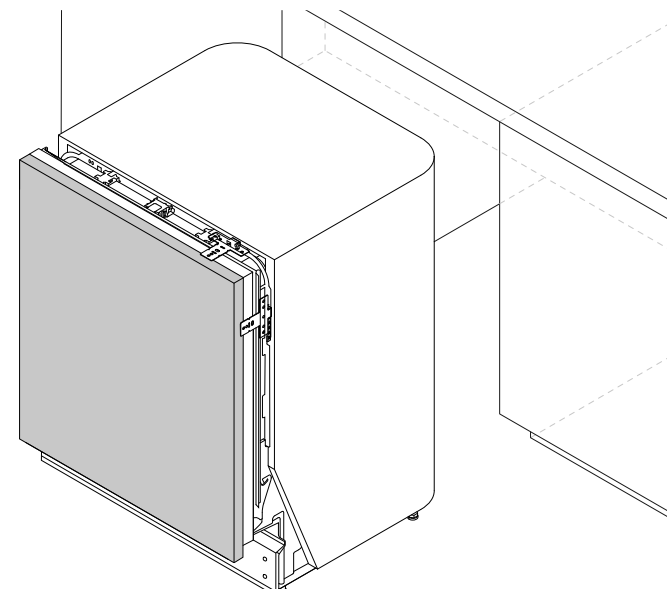
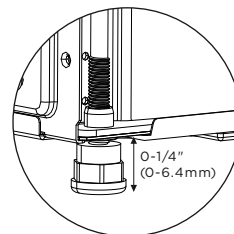
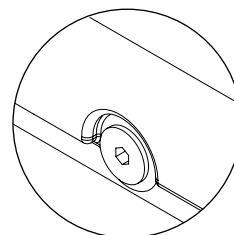
Ensure the appliance is leveled for proper dish rack, wash performance and door operation.

To verify dishwasher is leveled, open and close the door and pull the dish racks half way out. The door should fit in the tub opening without hitting the sides. If the racks roll on their own, or the door hits the side of tub, re-level.



1 Remove toe kick and mounting plate

To access the rear leg adjustment pin, you will need to remove the four screws holding the toe kick and mounting plate. Set screws aside for re-installation.



2 Adjust leg height

Adjust the rear foot via the back leg adjustment pin using an Allen Key. The front feet can be adjusted using an adjustable wrench.

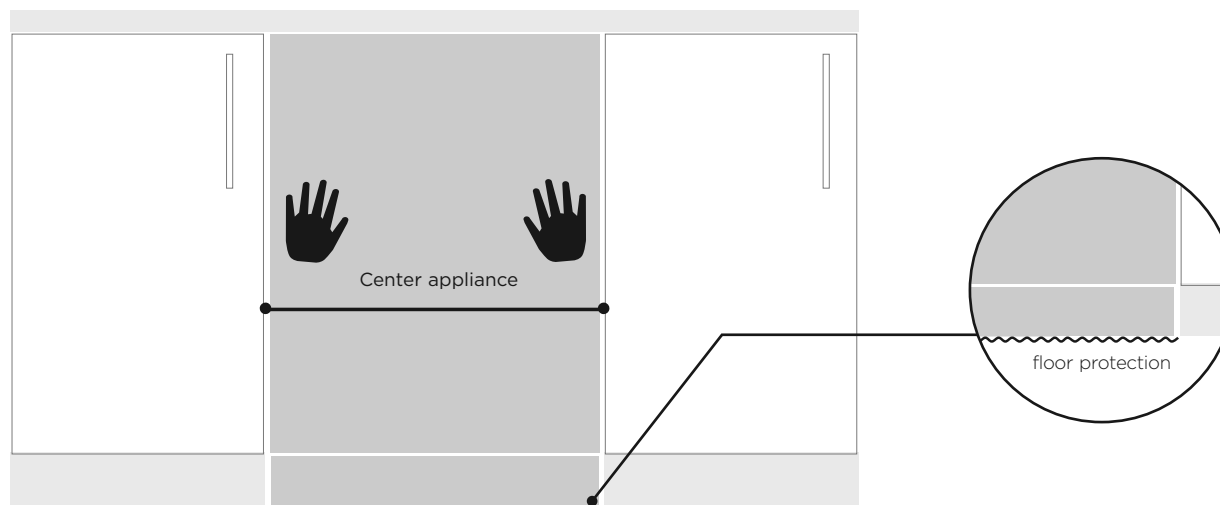
14 ALIGN APPLIANCE IN CABINETY

IMPORTANT!

- Ensure top of door is aligned flush with surrounding cabinetry.
- Use floor protection before sliding the appliance into the cabinetry. Remove the protection once the appliance is positioned in the cabinetry.

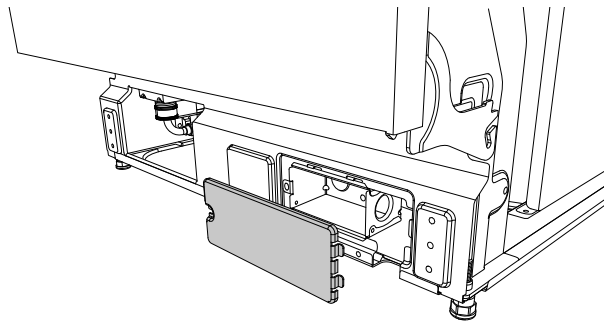
As you push the appliance in, pull through hoses and cord, ensure they don't get kinked or twisted.

Note: If using an infill bracket for cabinets with cavity height of 35.5" or above, refer to 'Attach infill bracket' (page 10) for more details.

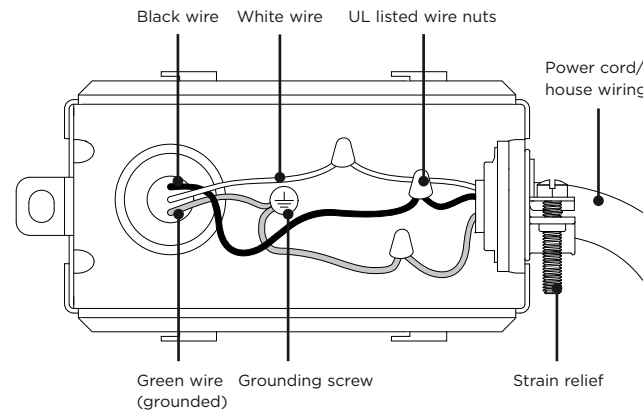


IMPORTANT!

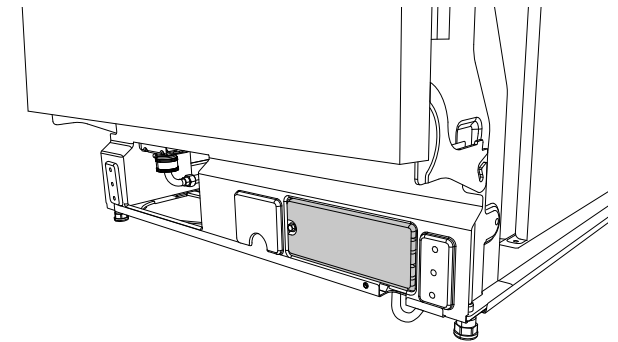
- Ensure the power cord and connections comply with the National Electrical Code, Section 422 and/or local codes and ordinances. Maximum power cord length is 6 feet. A Power Cord Kit is available for purchase from an authorized Fisher & Paykel appliances dealer.
- Check the house wiring. If it is not 2-wire with ground, a ground must be provided by the installer. If the house wiring is aluminum, use UL-Listed anti-oxidant compound and aluminum-to-copper connectors.



- ① **Remove the junction box cover**
 Unclip and remove the junction box cover to access the appliance electronics. Do not remove the screw holding the junction box bracket in place.



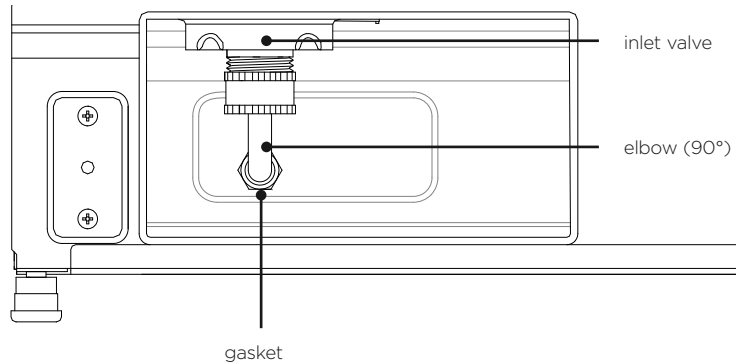
- ② **Connect wires**
 Install the strain relief into the junction box bracket, and secure the house wiring or the power cord and tighten. Thread the wires through the hole in the junction box bracket and connect the incoming ground to green, white to white and black to black.



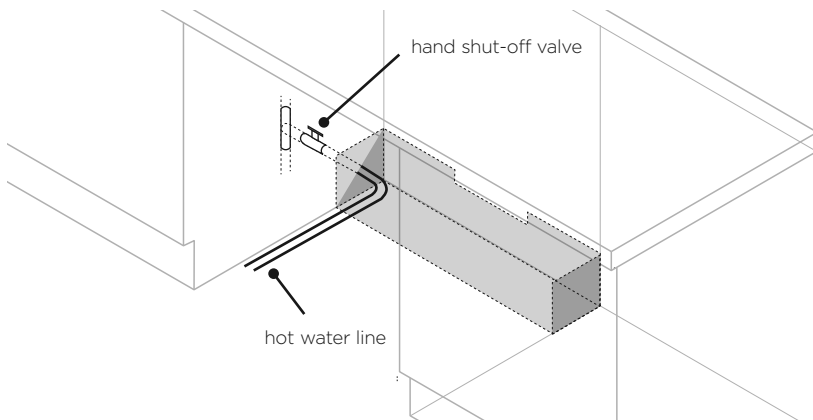
- ③ **Refit the junction box cover**
 Refit the junction box cover ensuring no wires are pinched beneath the cover. Ensure the power cord is routed under the appliance.

IMPORTANT!

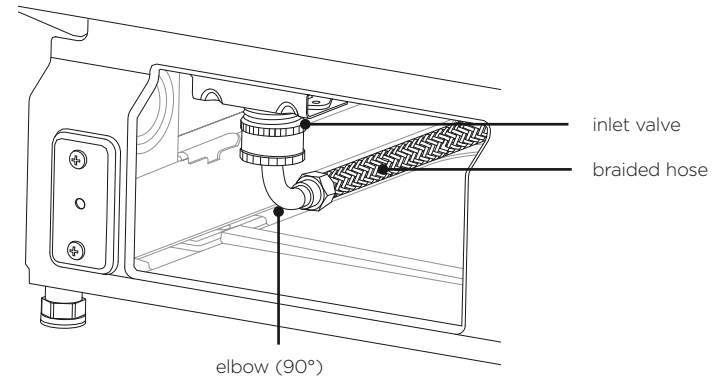
Ensure to flush the water line into a bucket before connecting to the water inlet valve.

Prepare water supply connection

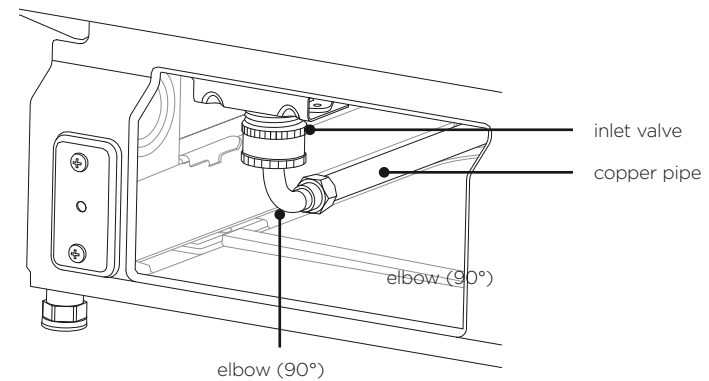
- ① Connect an elbow (90°) to the water inlet valve.
 - Ensure a rubber gasket is placed between the threads of the elbow and water supply valve. Do not overtighten the elbow.
 - Ensure the end of the elbow is pointing to the rear of the dishwasher.



- ② Insert the hot water line (copper pipe or flexible braided hose) through the water supply hole from the side of the cabinetry. (Refer to 'Cavity preparation, page 9 for more details).
 - Be careful not to damage the water line while inserting through the hole.
- ③ Install a hand shut-off valve to the water line in a location that is easily accessible in the adjacent cabinetry (eg under the sink).

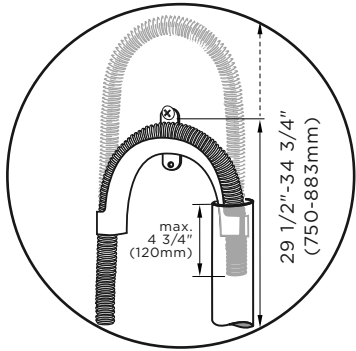
Connect hot water line to inlet valve

- ① **If using a flexible braided hose:**
Screw the nut of the hose to the thread of the elbow. Tighten with an adjustable wrench.



- ② **If using a copper pipe:**
Slide the compression nut and ferrule towards the end of the pipe. Insert the end of the pipe into the elbow and screw the compression nut to the thread of the elbow.

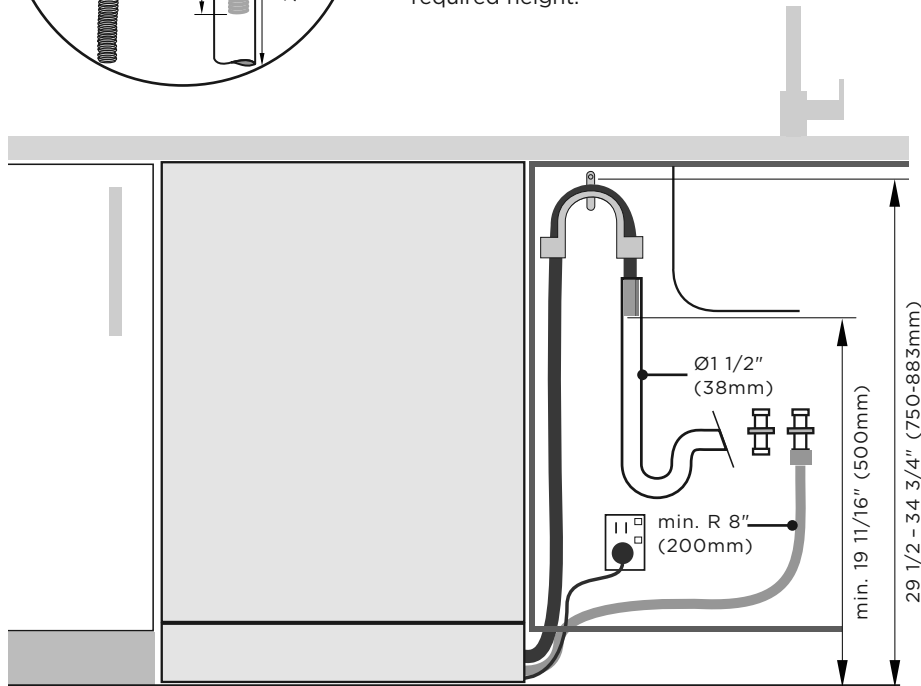
Dishwasher and Ø 38mm Standpipe



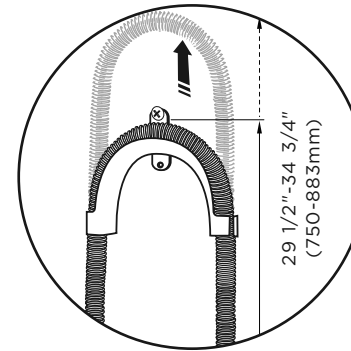
IMPORTANT!

Ensure that drain connection complies with local plumbing regulations.

Screw drain hose support to back wall at correct height. If space is limited for fixing, push hose through drain hose support to required height.



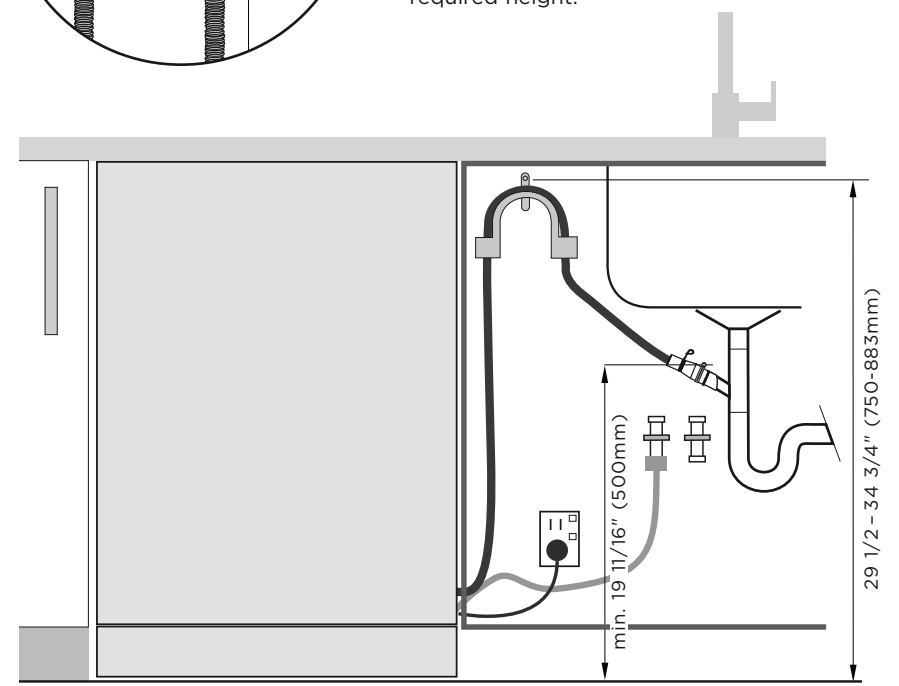
Dishwasher using drain hose joiner onto sink trap/waste tee



IMPORTANT!

Ensure that drain connection complies with local plumbing regulations.

Screw drain hose support to back wall at correct height. If space is limited for fixing, push hose through drain hose support to required height.



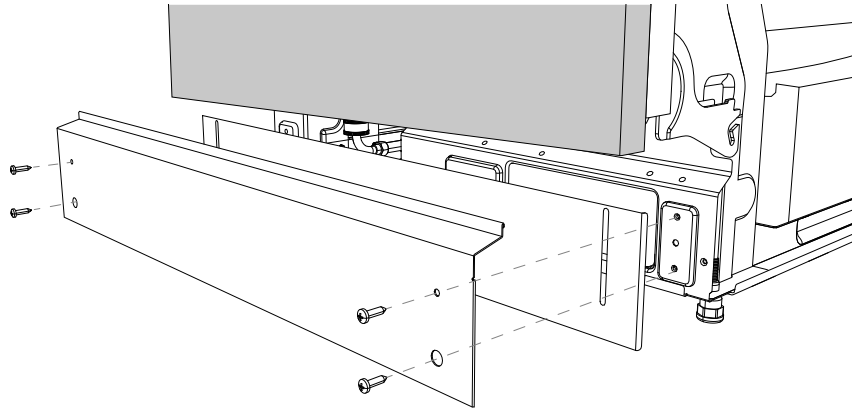
IMPORTANT!

Ensure that drain hose is installed as close to the underside of the benchtop as possible. This will ensure no waste re-enters the drain hose in the event of poor flow or a blockage in the plumbing.

Ensure the drain hose does not extend into water retained in the trap. An air gap is required to prevent waste water from siphoning back into the tub.

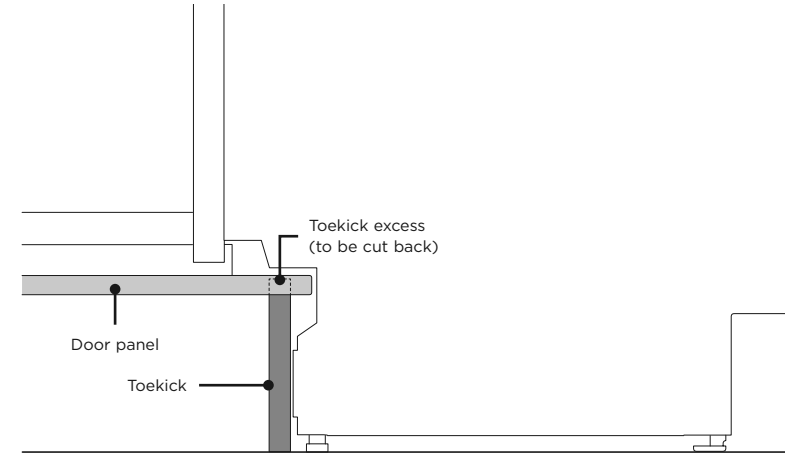
IMPORTANT!

Ensure toe kick does not protrude more than 3 9/16" (90mm) out from the dishwasher to ensure that the visibility of the floor light is not obstructed.



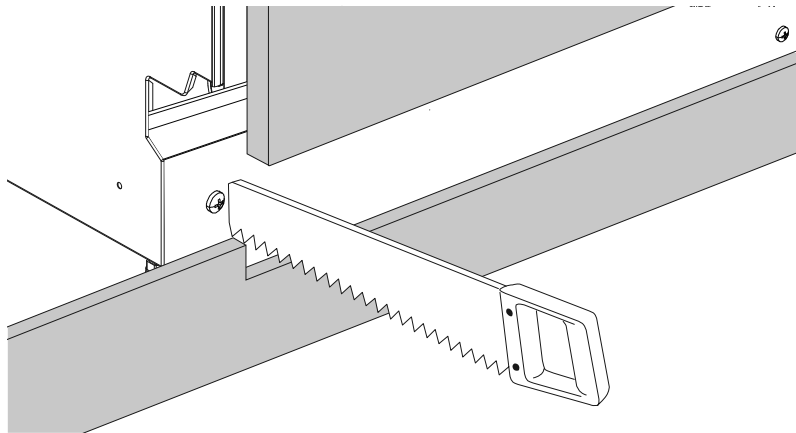
① **Refit toe kick mounting plate and panel.**

Refit the toe kick and mounting plate panels that were removed earlier. If desired, a custom continuous toe kick panel can be installed.



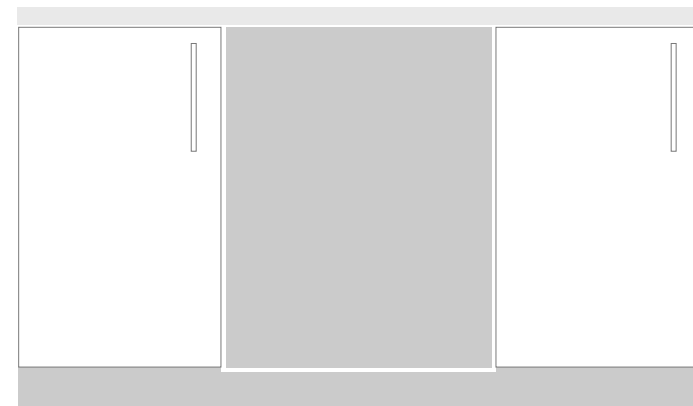
② **Check door overhang and swing range.**

Door overhang and swing range is relative to height and depth of toe kick panel. Cut back excess panel to ensure continuous, seamless integration.



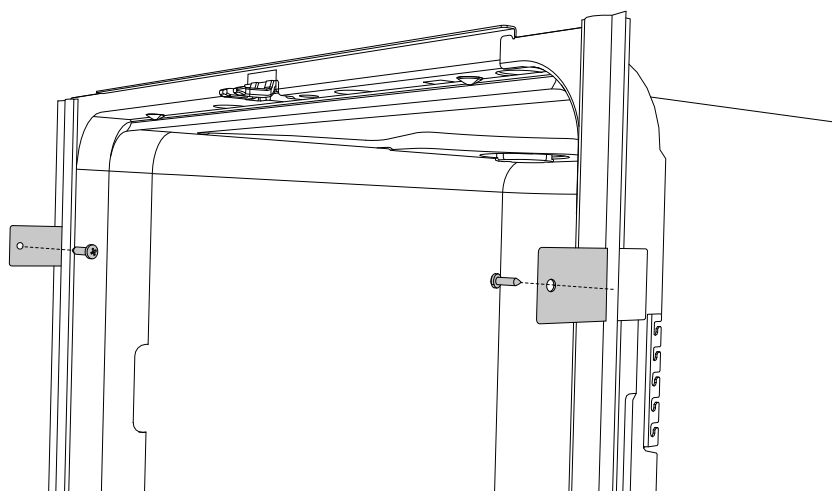
③ **Align and prepare continuous toe kick panel.**

Align the toe kick to desired position and mark out the point in which the toe kick meets the base of the door panel. Cut back excess.



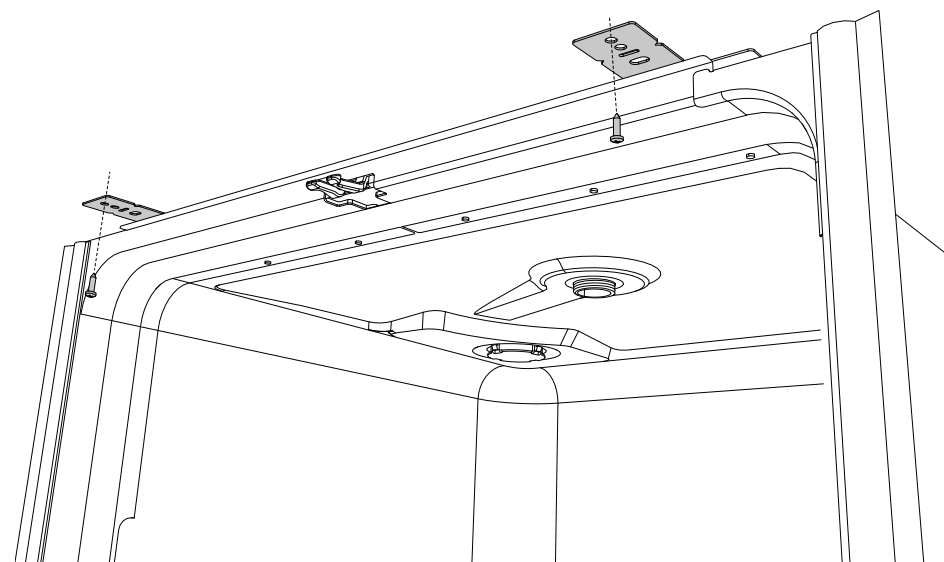
④ **Fit continuous toe kick panel to the surrounding cabinetry.**

**[A] FIX THE PRODUCT
TO ADJACENT CABINERY**



Using two Ø4 x 25mm screws, secure the product to the adjacent cabinetry through the brackets located on each side of the product chassis.

**[B] FIX THE APPLIANCE
TO BENCHTOP ABOVE**



Using two Ø4 x 25mm screws, secure the appliance to the benchtop above through the brackets located at the top of the appliance chassis.

IMPORTANT!

This installation method is not applicable if an infill bracket has been installed. If the infill bracket is not used, we recommend to fix the appliance to the adjacent cabinetry or above the benchtop.

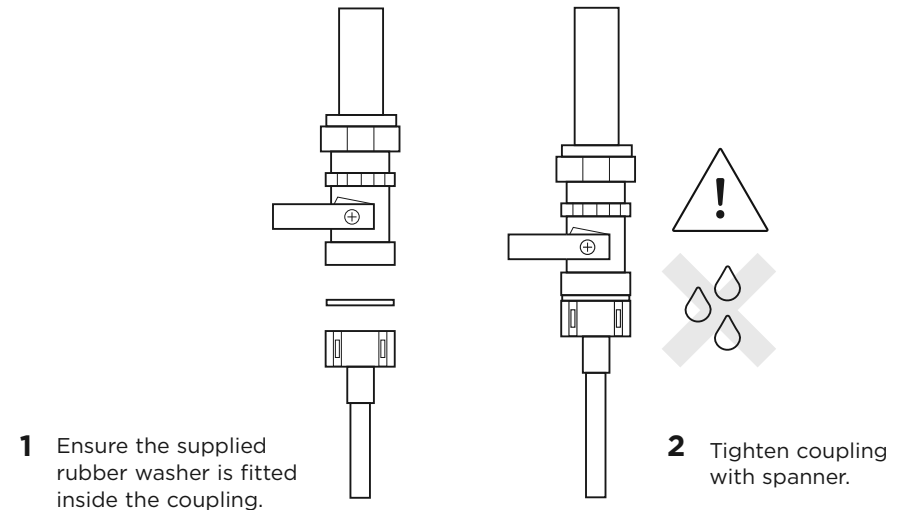
20 CONNECT INLET HOSE TO HOT WATER

Plumbing—Water inlet connection

IMPORTANT!

- Ensure the appliance is connected to the water main using the supplied new water inlet hose. Do not use old hoses.
- Do not shorten the inlet hose.

- 1 Follow the water connection requirements.
 - We recommend a hot water connection.
 - The incoming water temperature should not exceed 140°F.
- 2 Hot water pressure:
 - Take note of the permitted water pressure extremes.
 - Lowest: 5psi
 - Where pressure is 5psi, contact a qualified plumber.
 - Highest: 140psi
 - Install a pressure reduction valve if pressure is above 140psi. Contact a qualified plumber.
- 3 Connect the water inlet hose to an accessible water tap with a 3/4" BSP connector. Ensure that there is no kink in the inlet hose that could restrict the flow of water. A 90° bend requires a minimum height of 200mm for a kink-free curve.
 - Ensure incoming water is clear. If the water pipes have not been used for a long period of time, let the water run to make sure it is clear with no impurities. Not doing so may result in the water inlet hose getting blocked and damaging the appliance.
 - If required, use a filter insert to filter out deposits from the piping. The filter insert is available from your Fisher & Paykel trained and supported service technician or Customer Care.
- 4 Tighten the hose coupling a further half turn after seal contact.
- 5 Check that the connection does not leak.



21 CONNECT TO POWER

Electrical connection

- Do not connect the dishwasher to the electrical supply while installation is on-going. Ensure all domestic wiring is properly earthed.
- Check the rating label (located on the left-hand side of the dishwasher's stainless steel inner door) and ensure that the voltage and frequency values for the current in the house correspond to those on the rating label.
- Insert the plug into a properly earthed power outlet that has a disconnection switch.

IMPORTANT!

- The earthing of the appliance is a safety requirement mandated by law.
- If the power cord is not long enough to reach the outlet or the outlet to which the appliance must be connected is not appropriate for the plug, the entire dishwasher power cord must be replaced. This should only be done by a Fisher & Paykel trained and supported service technician. Do not modify or cut the plug. Do not use an adaptor, extension cord, or multi-outlet power board to connect the dishwasher to the power supply, as these could cause overheating and create a fire hazard.
- The outlet into which the dishwasher is plugged must remain easily accessible (eg in an adjacent cabinet) even when the appliance is installed. This is to ensure that the dishwasher can be disconnected from the power supply for safe cleaning and maintenance.

Excessive water remaining above the filter plate, after the rinse cycle (this can be displayed as A20 fault)

- Check for a kinked drain hose, blocked waste connection, highloop not properly installed, drain hose not routed correctly or spray arms not in place.

No water supply (this is displayed as A10 fault)

- Check water is connected and turned on.

The dishwasher is beeping continuously

- There is a fault.
- See section 'How to attend to a fault' in the User Guide for further information.

Water around water supply and drainage connections

- Check connections, existing plumbing and hoses for leaks.
- Check rubber washer and hose clamp are correctly fitted.

If appliance is tipping

- The appliance is not secure under the benchtop.
- Ensure the appliance is level and placed between cabinetry.
- Adjust the feet so that the dishwasher sits securely under the benchtop.

If front panel is misaligned

- Check and re-level appliance.
- Check the cabinetry is square.
- Check and adjust the front panel alignment if necessary.

Door doesn't close properly

- Ensure nothing is obstructing the door from closing properly.
- Check that the customized panel is a suitable length to fully close and that there is enough clearance for the door, so that the door's movement is not obstructed by the floor or surrounding cabinetry.

If a problem occurs, see 'Troubleshooting' page of the User guide.

If after checking these points you still need assistance, refer to the Service & Warranty book for warranty details

and your nearest Fisher & Paykel trained and supported service technician, or contact us through our website fisherpaykel.com.

✓ **TO BE COMPLETED BY THE INSTALLER**

- Check all parts are installed.
- Ensure that all panels and parts thereof are secure and final electrical tests have been conducted in accordance with local electrical regulations.
- Check that the dishwasher is level. If necessary, adjust the levelling feet slightly. To ensure optimum performance, the dishwasher should not be inclined more than 1°. Check with a spirit level.
- Ensure inlet hose to water supply has supplied rubber washer fitted, and that it's tightened a further half turn after seal contact.
- Ensure any knockouts or plugs in drain connection have been drilled out and drain connection has been made.
- The drain hose joiner must not support the weight of excess hose material. Keep drain hose as fully extended as possible to prevent sagging. Any excess length of drain hose should be kept on the dishwasher side of the highloop.
- If connecting the drain hose to the sink trap, ensure the Highloop is a minimum 5 15/16" (150mm) higher than the drain hose joiner.
- Ensure any packaging or tape securing the racks is removed from the dishwasher.
- Ensure appliance is level and opens and closes freely. The door must be free to fully close without being obstructed by adjoining cabinetry or the floor.
- Check that the door opens and closes freely without resistance to adjacent cabinetry.
- Check that the electrical outlet is accessible and located in an adjacent cupboard.
- Check the operation of the dishwasher:
 - ① Open door to turn dishwasher on.
 - ② Select the Rinse programme.
 - ③ Press > to start the Rinse programme. Can you hear the dishwasher filling?
 - ④ When the Rinse programme is over (approximately 20 minutes), check that the water has drained.
- If a fault code appears, see the 'Fault codes' section of the User guide for advice.
- Ensure that you leave the instruction guide with the customer.

Complete and keep for safe reference:

Model _____

Serial No. _____

Purchase Date _____

Purchaser _____

Dealer Address _____

Installer's Name _____

Installer's Signature _____

Installation Company _____

Installation Date _____

FISHERPAYKEL.COM

© Fisher & Paykel Appliances 2021. All rights reserved.

The models shown in this guide may not be available in all markets
and are subject to change at any time.

The product specifications in this guide apply to the specific products and
models described at the date of issue. Under our policy of continuous product
improvement, these specifications may change at any time.

For current details about model and specification availability in your country,
please go to our website or contact your local Fisher & Paykel dealer.

591955D / 0120501366D 11.21