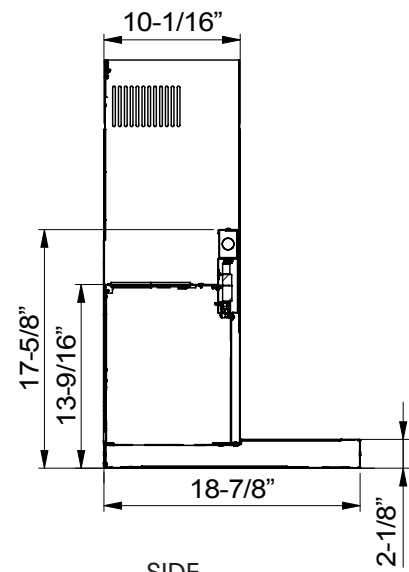
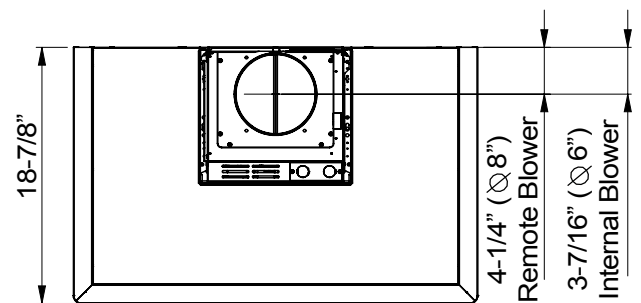


BACK



SIDE



TOP

MODEL

Stainless Steel Size	DVS-E30ASSX 30"	DVS-E36ASSX 36"
----------------------	--------------------	--------------------

BLOWER PERFORMANCE

Internal Blower (CBI-290C)*	200-290 CFM, 1.4-3 sones	200-290 CFM, 1.4-3 sones
Internal Blower (CBI-390A)*	200-390 CFM, 1.4-5 sones	200-390 CFM, 1.4-5 sones
Internal Blower (CBI-600A)*	240-600 CFM, 1.8-6 sones	240-600 CFM, 1.8-6 sones
In-Line Blower (PBN-1000A)*	500-1,000 CFM, sones NA	500-1,000 CFM, sones NA
External Blower (CBE-1000)*	500-1,000 CFM, sones NA	500-1,000 CFM, sones NA

FEATURES

Controls	Invisible Touch	Invisible Touch
Speed Levels	3	3
Auto Delay-Off	Yes	Yes
CleanAir Function**	Yes	Yes
Lighting	LED, 5W x2	LED, 5W x2
Tri-Level Lighting	Yes	Yes
Filters	Aluminum Mesh x2	Aluminum Mesh x3
Perimeter Aspiration System	Yes	Yes
Recirculating	Yes	Yes
Extension Duct Cover Option ADA Compliant	Yes, Up to 12' Ceiling Yes, with remote option	Yes, Up to 12' Ceiling Yes, with remote option

DUCT SPECIFICATIONS

Vertical Single Internal Blower	6" Round	6" Round
Vertical In-Line/External Blower	10" to 8" Round***	10" to 8" Round***

AC POWER

Hood w/ CBI-290C	120V, 60Hz, Max. 1A	120V, 60Hz, Max. 1A
Hood w/ CBI-390A	120V, 60Hz, Max. 2.1A	120V, 60Hz, Max. 2.1A
Hood w/ CBI-600A	120V, 60Hz, Max. 3A	120V, 60Hz, Max. 3A
Hood w/ PBN-1000A	120V, 60Hz, Max. 5.4A	120V, 60Hz, Max. 5.4A
Hood w/ CBE-1000	120V, 60Hz, Max. 6.6A	120V, 60Hz, Max. 6.6A

OPTIONAL ACCESSORIES

Recirculating Kit	ZRC-00VS	ZRC-00VS
Remote Control	RC-0003	RC-0003
Duct Cover - Stainless Steel	Z1C-00VS	Z1C-00VS
Stainless Steel Telescopic Backsplash	AK1710	AK1716
Make-Up Air Kit	MUA006A (600 CFM) MUA008A (1,000 CFM)	MUA006A (600 CFM) MUA008A (1,000 CFM)

MOUNTING HEIGHT RANGE****	24" - 36"	24" - 36"
---------------------------	-----------	-----------

WARRANTY	2 year parts, 1 year labor	2 year parts, 1 year labor
----------	----------------------------	----------------------------

CEILING HEIGHT		8'	8.5'	9'	9.5'	10'	10.5'	11'	12'
STANDARD DUCT COVER	Ducted Mounting Height*	24" - 34.5"	27.5" - 36"	33.5" - 36"	NA	NA	NA	NA	NA
	Recirc Mounting Height*	24" - 30.5"	27.5" - 36"	33.5" - 36"	NA	NA	NA	NA	NA
EXTENSION DUCT COVER	Ducted Mounting Height*	NA	24" - 24"	24" - 30"	24" - 36"	24" - 36"	24" - 36"	24" - 36"	29.5" - 36"
	Recirc Mounting Height*	NA	NA	24" - 26"	24" - 32"	24" - 36"	24" - 36"	24" - 36"	29.5" - 36"

*Blower sold separately.

**CleanAir turns your hood on once every four hours for 10 minutes on speed one.

***10" round duct connects to external and in-line blower. Must transition from 10" to 8" before duct passes through ceiling. A 10" to 8" adapter is included with external and in-line blowers.

****Mounting height refers to distance between top of a 36" tall cooking surface and bottom of hood.

DID YOU KNOW?

The Perimeter Aspiration System moves airflow away from the central area of the hood and evenly distributes it through narrow openings around the perimeter of the hood. This ventilation method increases air velocity and improves the capture of cooking contaminants.