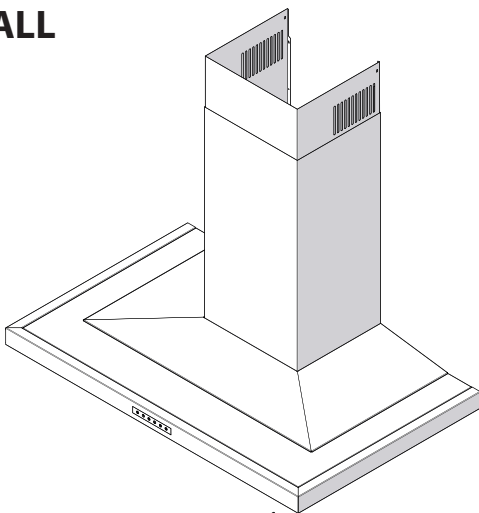


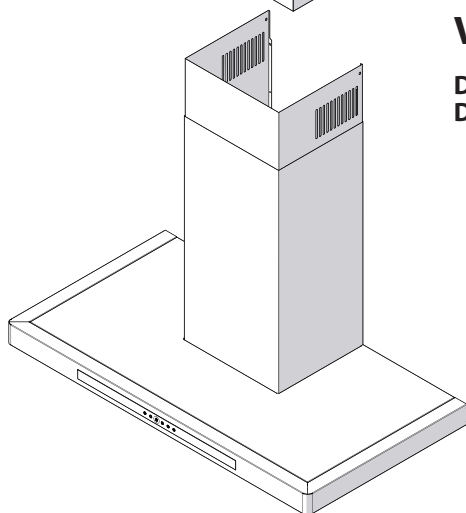
LAYERS WALL

DLA-E42ASSX
DLA-M90ASSX



VISTA WALL

DVS-E30ASSX
DVS-E36ASSX



RANGE HOOD - Installation instructions

ENGLISH.....3

FRANÇAIS.....28

Table of Contents

SAFETY INSTRUCTIONS	pag. 4
LIST OF MATERIALS	pag. 8
DUCTING CALCULATION SHEETS	pag. 10
HOOD SPECIFICATION	pag. 11
INSTALLATION	
- INTERNAL BLOWER	pag. 13
- EXTERNAL & IN-LINE BLOWER PREPARATION	pag. 15
- DUCTING OPTIONS	pag. 17
- MOUNTING THE RANGE HOOD	pag. 18
- POWER SUPPLY CONNECTION	pag. 19
- MOUNTING THE DUCT COVER	pag. 20
TOUCH CONTROL	pag. 21
OPTIONAL REMOTE CONTROL	pag. 22
MAINTENANCE	pag. 23
WIRING DIAGRAMS	pag. 24
LIST OF PARTS AND ACCESSORIES	pag. 26
WARRANTY	pag. 27

Safety instructions 1/4

■ IMPORTANT SAFETY INSTRUCTIONS

■ FOR RESIDENTIAL USE ONLY

■ READ AND SAVE THESE INSTRUCTIONS

■ PLEASE READ ENTIRE INSTRUCTIONS BEFORE PROCEEDING.

■ **IMPORTANT:** Save these Instructions for the Local Electrical Inspectors use.

■ **INSTALLER:** Please leave these Instructions with this unit for the owner.

■ **OWNER:** Please retain these instructions for future reference.

■ Take care when using cleaning agents or detergents.

■ Suitable for use in household cooking area.

■ **WARNING** - To reduce the risk of fire or electric shock, do not use this fan with any Solid-State Speed Control Device.

■ **CAUTION** - To reduce risk of fire and to properly exhaust air, be sure to duct air outside – Do not vent exhaust air into spaces within walls or ceilings or into attics, crawl spaces, or garages.

■ **CAUTION** - For general ventilating use only. Do not use to exhaust hazardous or explosive materials and vapors.

■ **CAUTION** - To avoid motor bearing damage and noisy and/or unbalanced impellers, keep drywall spray, construction dust, etc. off power unit.

■ **CAUTION** - Please read specification label on product for further information and requirements.

■ **WARNING** – TO REDUCE THE RISK OF FIRE, ELECTRIC SHOCK, OR INJURY TO PERSONS, OBSERVE THE FOLLOWING:

A. Use this unit only in the manner intended by the manufacturer. If you have questions, contact the manufacturer.

B. Before servicing or cleaning unit, switch power off at service panel and lock the service disconnecting means to prevent power from being switched on accidentally. When the service disconnecting means cannot be locked, securely fasten a prominent warning device, such as a tag, to the service panel.

■ **WARNING - TO REDUCE THE RISK OF A RANGE TOP GREASE FIRE:**

A. Never leave surface units unattended at high settings. Boilovers cause smok

Safety instructions 2/4

ing and greasy spillovers that may ignite. Heat oils slowly on low or medium settings.

- B.** Always turn hood ON when cooking at high heat or when flambeing foods (i.e. Crepes Suzette, Cherries Jubilee, Peppercorn Beef Flambè).
- C.** Clean ventilating fans frequently. Grease should not be allowed to accumulate on fan or filter.
- D.** Use proper pan size. Always use cookware appropriate for the size of the surface element.
- E.** Keep fan, filters and grease laden surface clean.
- F.** Use high range setting on range only when necessary. Heat oil slowly on low to medium setting.
- G.** Don't leave range unattended when cooking.
- H.** Always use cookware and utensils appropriate for the type and amount off food being prepared.

■ **WARNING** – TO REDUCE THE RISK OF INJURY TO PERSONS IN THE EVENT OF A RANGE TOP GREASE FIRE, OBSERVE THE FOLLOWING^a:

- A.** SMOTHER FLAMES with a close-fitting lid, cookie sheet, or metal tray, then turn off the burner. BE CAREFUL TO PREVENT BURNS. If the flames do not go out immediately, EVACUATE AND CALL THE FIRE DEPARTMENT.
- B.** NEVER PICK UP A FLAMING PAN – You may be burned.
- C.** DO NOT USE WATER, including wet dishcloths or towels – a violent steam explosion will result.
- D.** Use an extinguisher ONLY if:
 - 1.** You know you have a Class ABC extinguisher, and you already know how to operate it.
 - 2.** The fire is small and contained in the area where it started.
 - 3.** The fire department is being called.
 - 4.** You can fight the fire with your back to an exit.

^aBased on "kitchen firesafety tips" published by NFPA

Proper maintenance of the Range Hood will assure proper performance of the unit.

■ INSTALLATION INSTRUCTIONS

WARNING – TO REDUCE THE RISK OF FIRE, ELECTRIC SHOCK, OR INJURY TO PERSONS, OBSERVE THE FOLLOWING:

- A.** Installation work and electrical wiring must be done by qualified person(s) in accordance with all applicable codes and standards, including fire-rated construction.

Safety instructions 3/4

- B. Sufficient air is needed for proper combustion and exhausting of gases through the flue (chimney) of fuel burning equipment to prevent back drafting. Follow the heating equipment manufacturer's guideline and safety standards such as those published by the National Fire Protection Association (NFPA), and the American Society for Heating, Refrigeration and Air Conditioning Engineers (ASHRAE), and the local code authorities.
 - C. When cutting or drilling into wall or ceiling, do not damage electrical wiring and other hidden utilities.
 - D. Ducted fans must always be vented to the outdoors.
 - E. This unit must be grounded.
- **WARNING** - TO REDUCE THE RISK OF FIRE, USE ONLY METAL DUCTWORK.
- **WARNING** - UNDER CERTAIN CIRCUMSTANCES DOMESTIC APPLIANCES MAY BE DANGEROUS.
- A. Do not check filters with hood working.
 - B. Do not touch the lamps after a prolonged use of the appliance.
 - C. No food must be cooked flambè underneath the hood.
 - D. The use of an unprotected flame is dangerous for the filters and could cause fires.
 - E. Watch constantly the fried food in order to avoid the cooking oil flares up.
 - F. Before performing any maintenance operation, disconnect the hood from the electrical service.
- The manufacturers will not to accept any responsibility for eventual damages, because of failure to observe the above instructions.

Electrical Requirements

Important:

- Observe all governing codes and ordinances.
- It is the customer's responsibility to be aware of these below:
- To contact a qualified electrical installer.
- To assure that the electrical installation is adequate and in conformance with National Electrical Code, ANSI/NFPA 70 latest edition* or CSA standards C22.1-94, Canadian Electrical Code, Part 1 and C22.2 No.0-M91 - latest edition** and all local codes and ordinances.
- If codes permit and a separate ground wire is used, it is recommended that a qualified electrician determine that the ground path is adequate.
- Do not ground to a gas pipe.
- Check with a qualified electrician if you are not sure the range hood is properly grounded.

Safety instructions 4/4

- Do not have a fuse in the neutral or ground circuit.
 - This appliance requires a 120V 60Hz electrical supply and connected to an individual properly grounded branch circuit protected by a 15 or 20 ampere circuit breaker or time delay fuse. Wiring must be 2 wire with ground. Please also refer to Electrical Diagram on product.
 - A cable locking connector (not supplied) might also be required by local codes. Check with local requirements, purchase and install appropriate connector if necessary.
- * National Fire Protection Association Batterymarch Park, Quincy, Massachusetts 02269
- ** CSA International 8501 East Pleasant Valley Road, Cleveland, Ohio 44131-5575

Federal Communication Commission Interface Statement

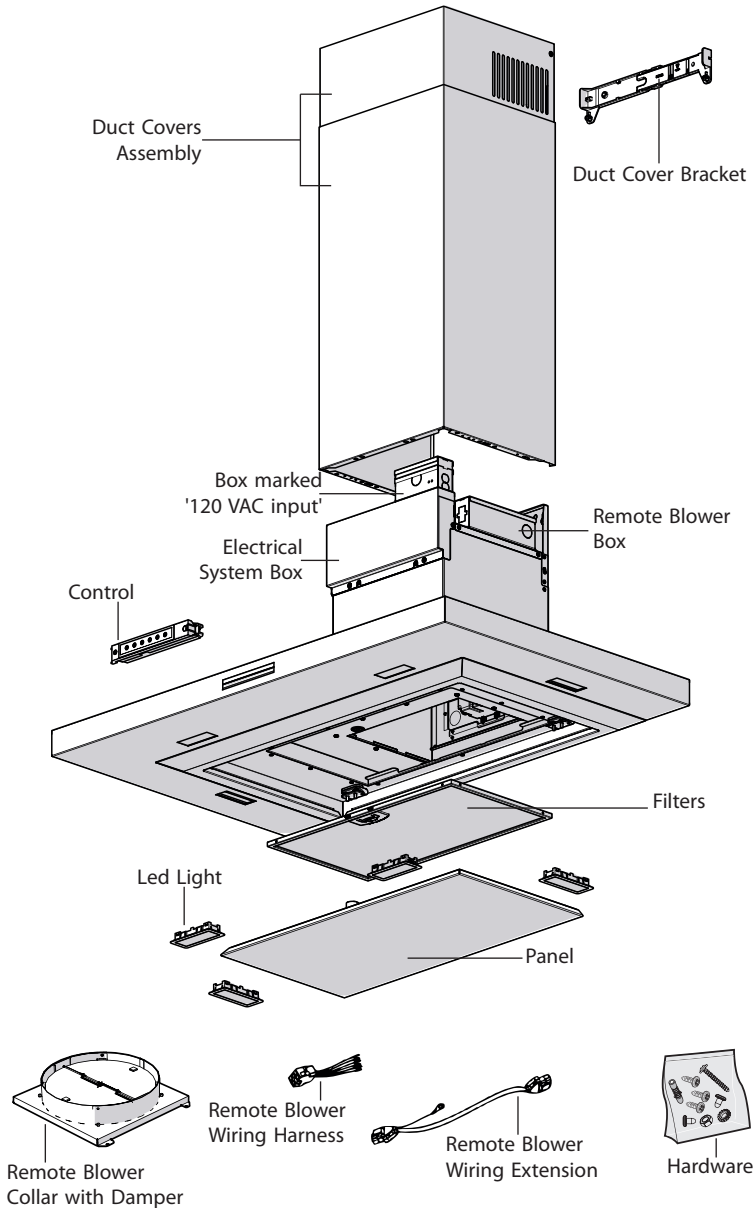
- This equipment has been tested and found to comply with the limits for a Class B digital device, pursuant to Part 15 of the FCC Rules. These limits are designed to provide reasonable protection against harmful interference in a residential installation.
- This equipment generates, uses and can radiate radio frequency energy and, if not installed and used in accordance with the instructions, may cause harmful interference to radio communications. However, there is no guarantee that interference will not occur in a particular installation. If this equipment does cause harmful interference to radio or television reception, which can be determined by turning the equipment off and on, the user is encouraged to try to correct the interference by one of the following measures:
 - Reorient or relocate the receiving antenna.
 - Increase the separation between the equipment and receiver.
 - Connect the equipment into an outlet on a circuit different from that to which the receiver is connected.
 - Consult the dealer or an experienced radio/TV technician for help.



WARNING Prop. 65 Warning for California Residents: This product may contain chemicals known to the State of California to cause cancer, birth defects, or other reproductive harm.

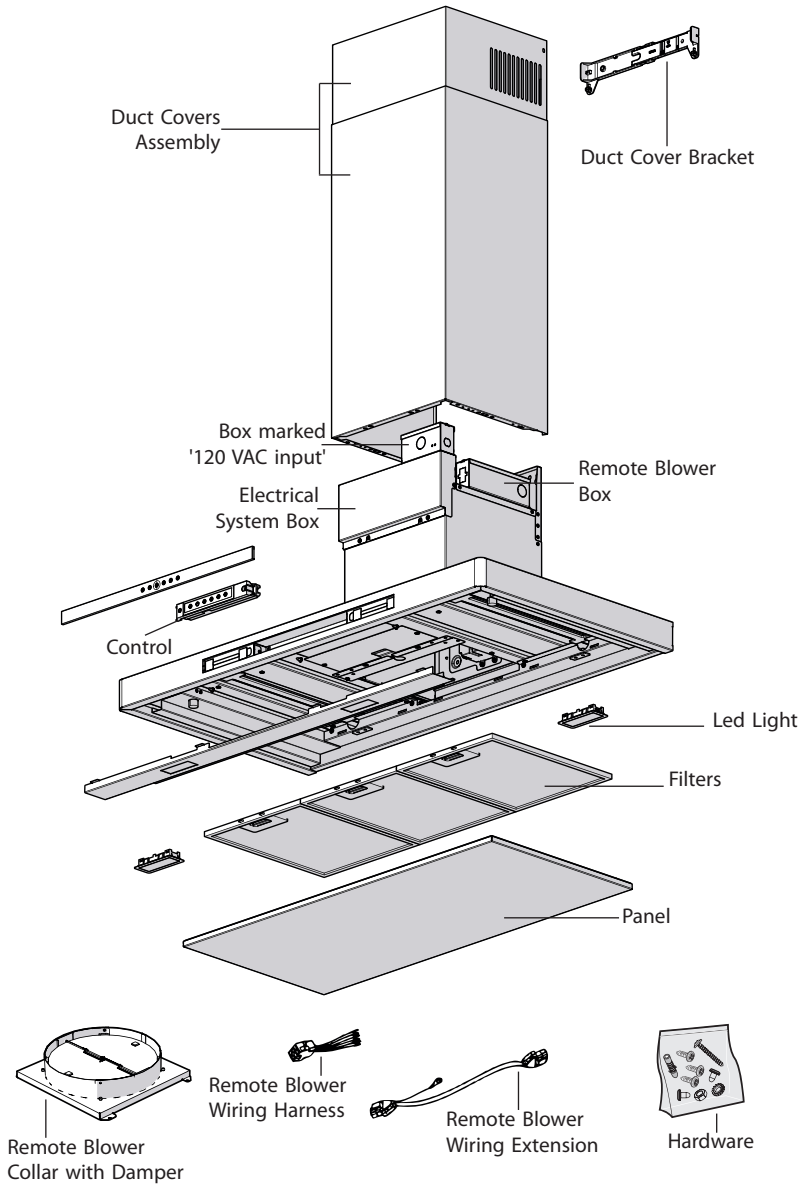
List of Materials

Models: DLA-E42ASSX / DLA-M90ASSX












List of Materials










Models: DVS-E30ASSX / DVS-E36ASSX



Ducting Calculation Sheet

Duct pieces		Equivalent number length x used =	Total
	3-1/4" x 10" Rect., straight	1 Ft. x () =	Ft.
	6", 7", 8", 10" Round, straight	1 Ft. x () =	Ft.
	3-1/4" x 10" Rect. 90° elbow	15 Ft. x () =	Ft.
	3-1/4" x 10" Rect. 45° elbow	9 Ft. x () =	Ft.
	3-1/4" x 10" Rect. 90° flat elbow	24 Ft. x () =	Ft.
	7" to 6" or 8" to 7" Round tapered reducer	25 Ft. x () =	Ft.
	6", 7", 8" Round in-line damper	15 Ft. x () =	Ft.
	6", 7", 8", 10" Round, 90° elbow	15 Ft. x () =	Ft.
	6", 7", 8", 10" Round, 45° elbow	9 Ft. x () =	Ft.
Subtotal column 1 =			Ft.

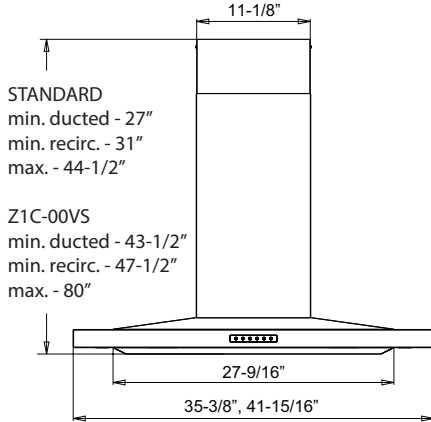
Maximum Duct Length: For satisfactory air movement, the total duct length should not exceed 150 equivalent feet.

Duct pieces		Equivalent number length x used =	Total
	3-1/4" x 10" Rect. to 6" round transition	5 Ft. x () =	Ft.
	3-1/4" x 10" Rect. to 6" round transition 90° elbow	20 Ft. x () =	Ft.
	6" round to 3-1/4" x 10" rect. transition	1 Ft. x () =	Ft.
	6" round to 3-1/4" x 10" rect. transition 90° elbow	16 Ft. x () =	Ft.
	7" round to 3 1/4" x 10" rect. transition	8 Ft. x () =	Ft.
	7" round to 3-1/4" x 10" rect. transition 90° elbow	23 Ft. x () =	Ft.
	3-1/4" x 10" Rect. wall cap with damper	30 Ft. x () =	Ft.
	6", 7", 8", 10" Round, wall cap with damper	30 Ft. x () =	Ft.
	6", 7", 8", 10" Round roof cap	30 Ft. x () =	Ft.
		Subtotal column 2 =	Ft.
		Subtotal column 1 =	Ft.
		Total ductwork =	Ft.

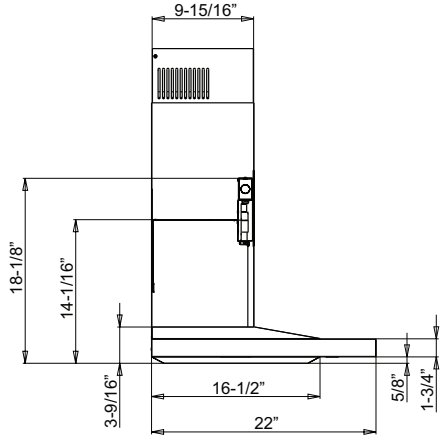
Hood Specifications

Models: DLA-E42ASSX / DLA-M90ASSX

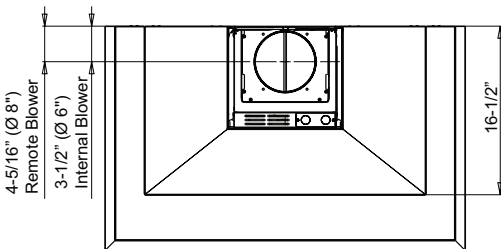
Front of Hood



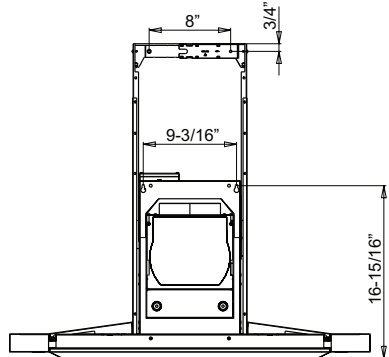
Side of Hood



Top of Hood



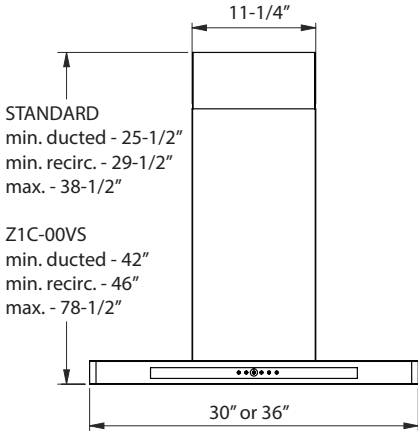
Back of Hood



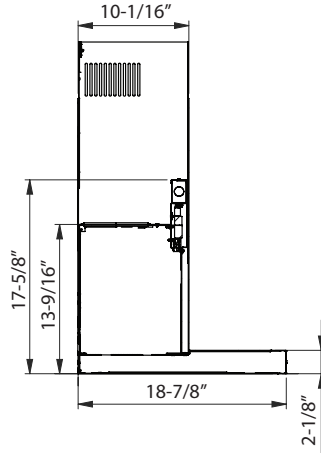
Hood Specifications

Models: DVS-E30ASSX / DVS-E36ASSX

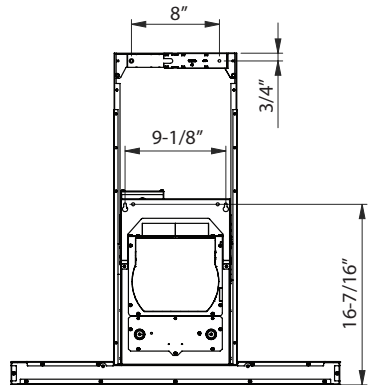
Front of Hood



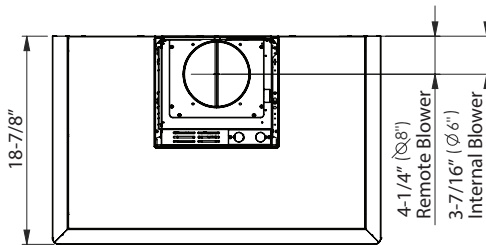
Side of Hood



Back of Hood



Top of Hood



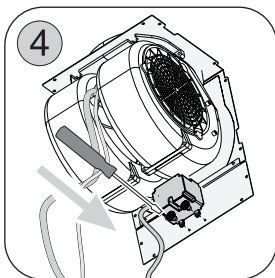
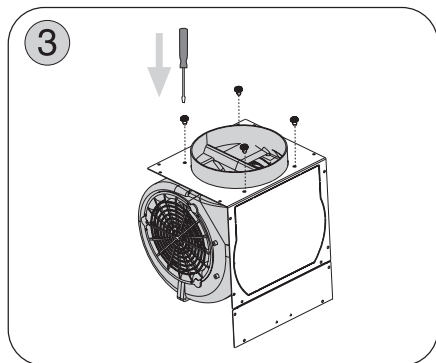
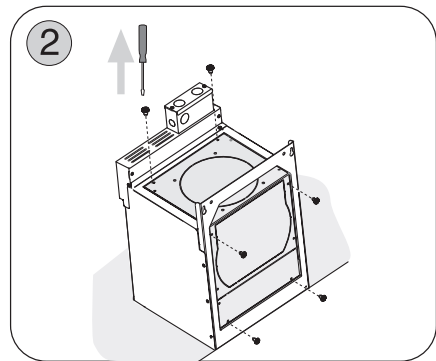
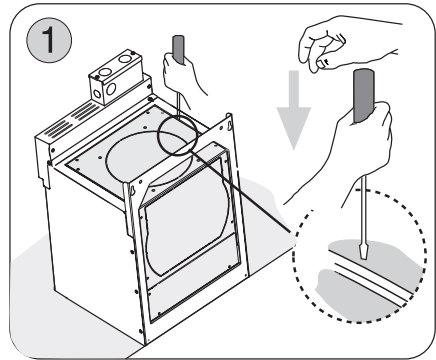
Installation - Internal Blower

■ The following instructions are for installing the internal blower.

CAUTION: To reduce the risk of fire and electric shock, install this rangehood only with internal blower models CBI-290A or CBI-600A.

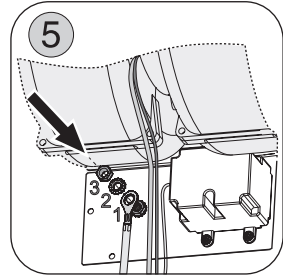
For external and in-line blower preparation please turn to page 15.

1. Remove the 6" round metal knockout plate from the blower plate by using a flat head screwdriver. See Fig.1
2. Remove the (6) screws securing the blower plate to the blower housing and remove blower plate. See. Fig.2
3. Install internal blower into blower plate and secure using (4) screws included with the blower. See Fig.3
4. Secure capacitor box connected to the provided cable to the blower plate using (2) screws included with the blower. See Fig.4
5. Secure Green/Yellow ground wire connected to the cable to the provided capacitor to blower plate. Fig.5
6. Attach the 6 pin male moxex connector from blower wire to the 6 pin female moxex connector located inside the blower housing. See Fig.6



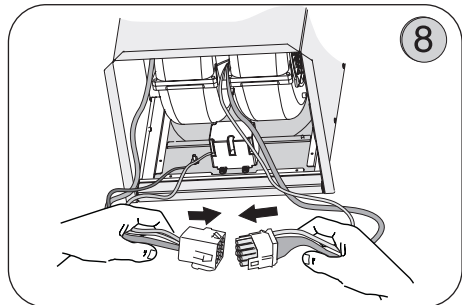
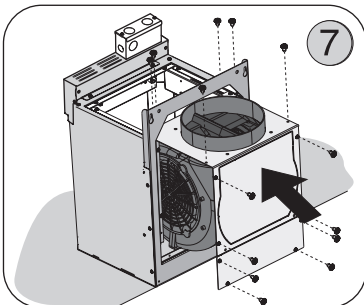
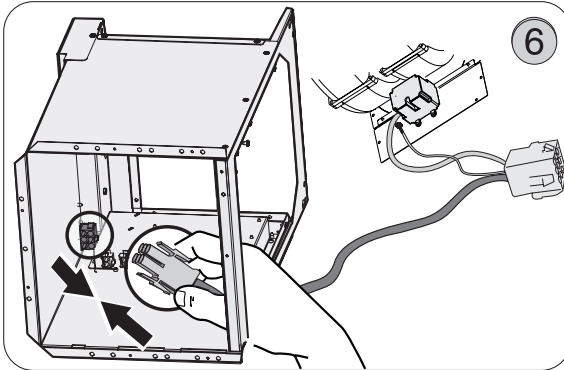
7. Install blower and blower plate into blower housing by following the reverse instructions from step 2 then use the screws provided to complete installation. (Tot. 14). See Fig.7

8. Connect 9 pin male molex connector from blower wire to 9 pin female molex connector on the capacitor wire. See Fig.8



WARNING! Place electrical wiring inside the motor housing.

The hood is now ready to be installed on the wall.



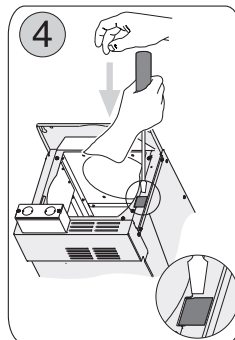
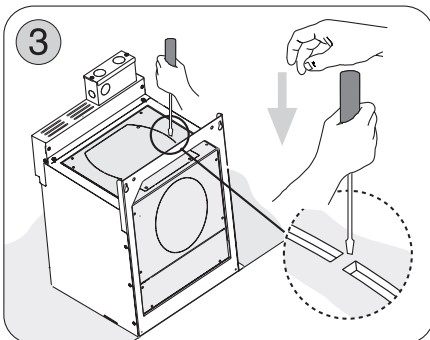
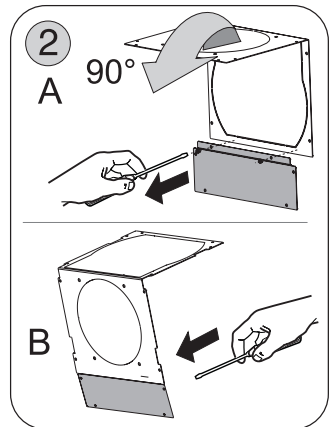
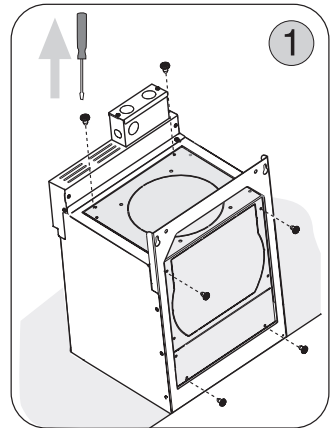
Installation - External & In-Line Blower Preparation

■ The following instructions are for preparing the hood for use with an external or in-line blower models CBE-1000 or PBN-1000A.

CAUTION: To reduce the risk of fire and electric shock, install this rangehood only with remote blowers rated maximum 6.2 A.

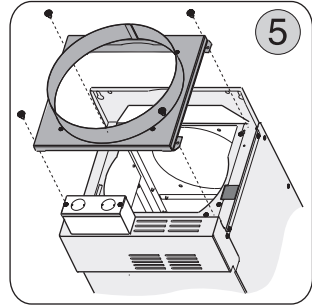
For internal blower instructions please turn to page 13.

1. Remove the (6) screws securing the blower plate to the blower housing and remove blower plate. See Fig.1
2. Detach rectangular metal plate from blower plate. See Fig. 2A Flip blower plate 90 degrees and attach rectangular plate to blower plate side with round knock-out. See Fig.2B
3. Re-install blower plate into blower housing by following reverse instructions from step 1 then use the screws provided to complete installation. (Tot.14)
4. Remove top knock-out plate and remote blower knock-out plate by using a flat head screwdriver. See Fig. 3 and Fig. 4
5. Secure 8" round blower collar to top of blower



housing using (4) screws. See Fig. 5

6. Insert the 6 pin female molex connector into the junction box. See Fig. 6A. Secure remote blower junction box included in the hardware packet to top of blower housing using (2) screws. See Fig. 6B

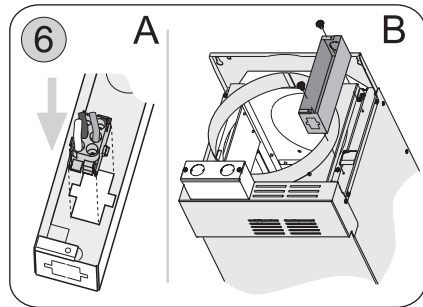


7. Feed remote blower wire harness through remote blower junction box cover and Connect the wires with those inside the junction box. See Fig. 7

Note: Carry out the power supply connection in accordance with the national electric code, ANSI/NFPA 70-1999.

8. Secure cover to junction box using (2) screws.

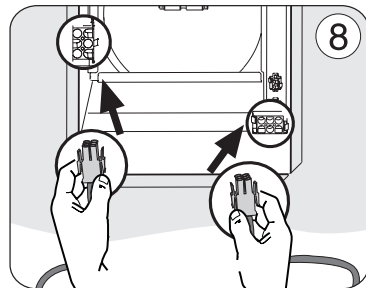
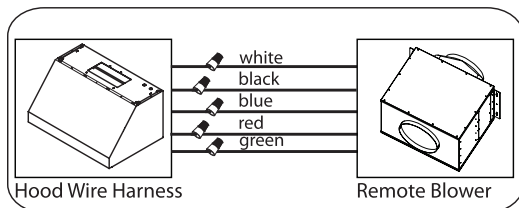
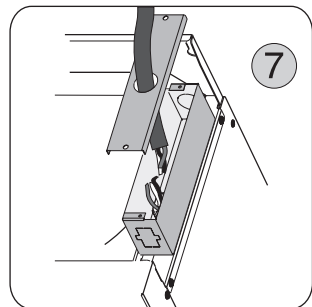
Note1: A cable lock (not included) may be required by local codes. Please review local codes for more information.



9. Attach 6 pin male molex connectors to 6 pin female molex connectors inside blower housing. See Fig. 8

Note2: Check local codes to determine minimum wire gauge.

See manual included with external and in-line blower for instructions on installing the blower.



Installation - Ducting Options

■ WARNING FIRE HAZARD

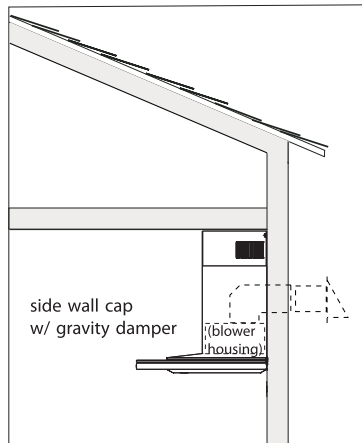
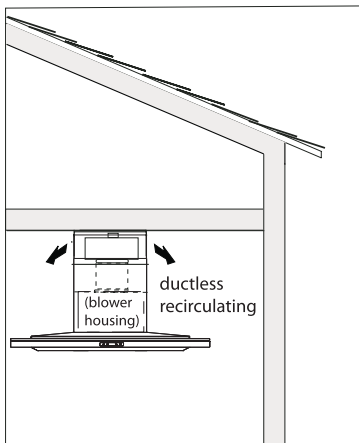
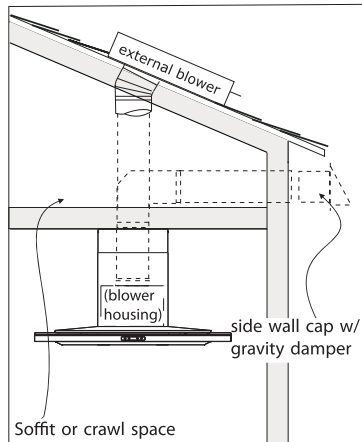
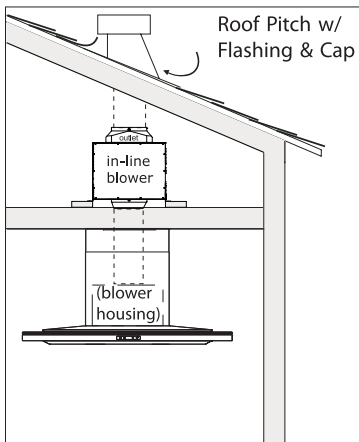
NEVER exhaust air or terminate duct work into spaces between walls, crawl spaces, ceiling, attics or garages.

All exhaust must be ducted to the outside, unless using the recirculating option.

Use single wall rigid Metal ductwork only.

Fasten all connections with sheet metal screws and tape all joints w/ certified Silver Tape or Duct Tape.

Some Ducting Options



Installation - Mounting the Range Hood

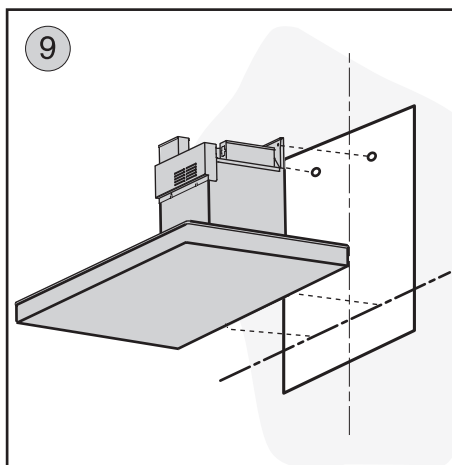
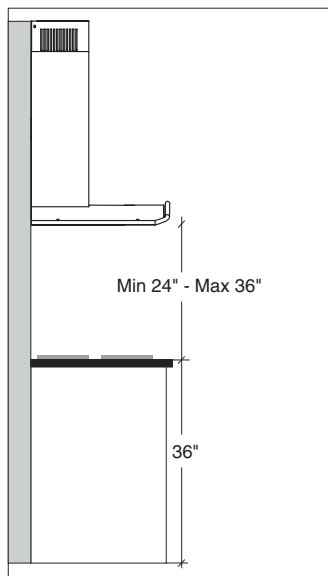
■ MOUNTING HEIGHTS

The range hood must be installed at a minimum height of 24 inches (61cm) from the cooking surface. If a connecting duct work composed of two parts is used, the upper part must be placed outside the lower part. Do not connect the range hood duct to the same duct used to exhaust hot air or fumes from another appliance. Before proceeding with the assembly instructions remove the decorative mesh filters so that the range hood is easier to handle.

■ MOUNTING TO THE WALL

1. Place the paper template included with your hood on the wall to determine where to add the screws for mounting the hood. Make sure the bottom of the template aligns with the bottom of where the hood will be located. See Fig. 9
2. Lift the hood onto the screws and adjust to make sure the hood is level.
3. When the hood has been adjusted tighten the screws to secure the hood in place.

NOTE: Screws must be fastened into wooden studs so wood blocking may be necessary. If using wall anchors make sure to check your local codes for suitability and type of anchors to use.



NOTE1: For the various installations use screws and screw anchors suited to the type of wall (minimum screw size: 1/4" diameter x 2-3/4" length).

Installation - Power Supply Connection

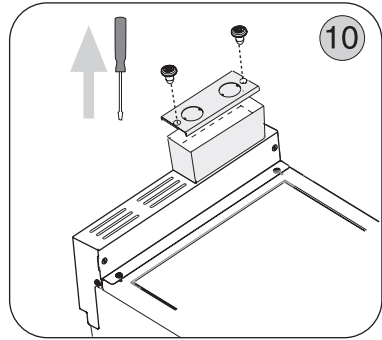
■ GENERAL

• Carefully read the following important information regarding installation safety and maintenance. Keep this information booklet accessible for further consultations.

■ POWER SUPPLY CONNECTION

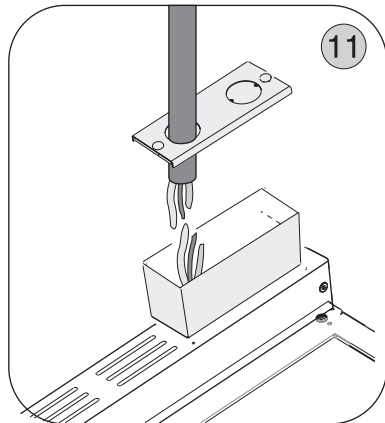
For connection to the power supply refer to the following:

1. Lift the bottom part of the duct cover and secure it carefully using adhesive tape.
2. Remove the power supply cover by undoing the (2) screws Fig. 11.
3. Break through the hole on the box cover.
4. Secure the power supply conduit to the cover.
5. Connect the wires of the hood to those of the power supply as described. Fig.11:



BLACK = **L** line
WHITE = **N** neutral
GREEN / YELLOW = **G** ground

- A double-pole switch properly rated must be installed to provide the range hood power supply disconnection.
- Connect the electrical conduit to the Field Wiring Compartment using listed conduit fittings.
- Carry out the power supply connection in accordance with the national electric code, ANSI/NFPA 70-1999.

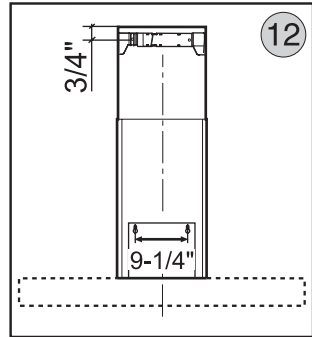


6. Insert the wires into the box, then close the box cover, securing it using the screws that were previously removed.
7. Remove the adhesive tape from the chimney and place the lower part of the chimney on the hood.

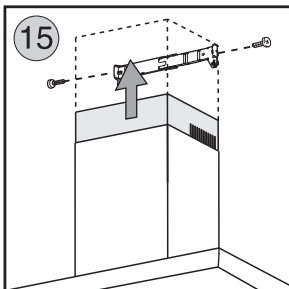
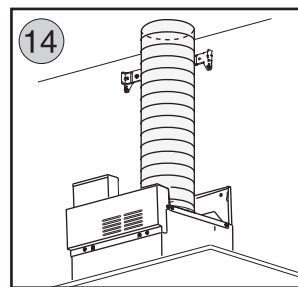
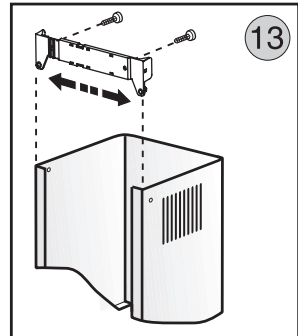
Installation - Mounting the Duct Cover

■ MOUNTING THE DUCT COVER

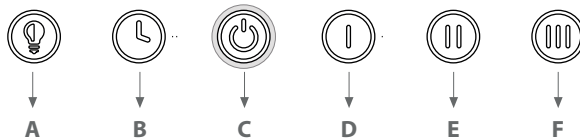
1. Install the electrical wiring and test hood for functions prior to installing the duct covers.
2. If using hood in air recirculating mode make sure to install the air diverter plate prior to mounting the duct covers. See the manual included with the recirculating kit for more instructions.
3. Adjust the width of the duct cover support bracket so that it fits inside the top of the chimney and observing the distance shown in Fig.12



4. Secure duct cover bracket to top of wall just below the ceiling using (2) screws provided. See Fig.13
5. Place ducting from ceiling over the collar on top of the hood and secure using aluminum duct tape. See Fig.14
6. Insert top duct cover into bottom duct cover. Seat the duct covers correctly on the hood.
7. Extend top duct cover up and secure to the duct cover bracket using (2) screws. See Fig.15



Touch Control



A - Lights Button: Lights are three level (high, medium, low). From stand-by-on mode, touch once for high, twice for medium, three times for low, four times to cycle back.

B - Delay Off Button: Press the Delay Off Button to enable the ten-minute delay-off function, no matter at what speed the fan is running at. B button will start blinking indicating the delay off function is enabled. After ten minutes the fan and lights will turn off. Delay off function can be disabled by pressing B button, changing the speed, or pressing the Power Button C.

C - Power Button: Press once to activate all button stand by mode allowing control of other button functions. All buttons will illuminate indicating stand by mode. Press the Power Button again to turn the hood off (fan and lights). The stand by mode will remain active for 30 seconds.

D - Low Speed Button: In stand-by mode: Press once for low speed.

E - Medium Speed Button: In stand-by mode: Press once for medium speed.

F - High Speed Button: In stand-by mode: Press once for high speed.

MESH FILTER CLEAN REMINDER (always enabled): after 60 hours of fan usage, button A blinks when the hood is in stand-by, indicating it is time to clean the mesh filters. To Reset the function: with the hood in stand-by, press and hold the B button for 4 to 5 seconds, the A button will stop blinking, and the 60-hour timer will reset.

CHARCOAL FILTER REPLACE REMINDER (disabled by default, must be enabled by user if recirculating hood): To enable Charcoal Filter Replacement Function hold buttons D and F simultaneously for four seconds. The A button will quickly flash 3 times indicating the Charcoal Filter Replacement Function is enabled. After 200 hours of fan usage, the B button will blink while the hood is on, indicating it is time to replace the charcoal filters. To Reset the Charcoal Filter Replace Reminder function: Hold the B button for 4 to 5 seconds until it stops flashing, and the 200-hour timer will reset.

Order replacement charcoal filter kit number Z0F-C010 through your local dealer, www.zephyronline.com, or the Zephyr customer service department.

To disable the Charcoal Filter Replacement function, repeat the enable procedure, the A button will illuminate for 3 seconds then turn off indicating the Charcoal Filter Replacement Function is disabled.

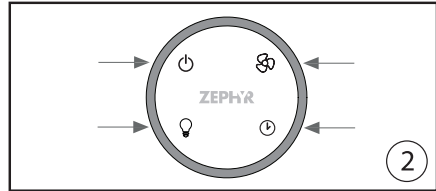
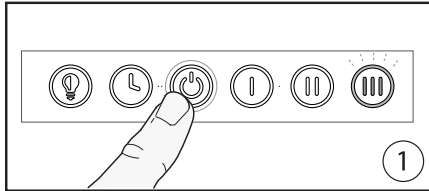
CLEAN AIR FUNCTION (disabled by default, must be enabled by the user). To enable Clean Air function, with hood in stand by, press and hold button E for 4 to 5 seconds. The E button will start blinking, the fan will turn on low speed for 10 minutes. After 10 minutes the fan will turn off and the 4-hour timer will begin. The E button led will continue blinking when Clean Air Function is enabled, even if fan is not on. When Clean Air function is enabled, every 4 hours of non-fan usage the fan will automatically turn on at low speed for 10 minutes. After 10 minutes the fan will turn off and the 4-hour timer will reset.

Optional Remote Control

SYNCHRONIZATION:

To synchronize the remote control with the range hood for the first time, proceed as follows:

1. With the range hood off, press and hold the "Power" on the hood for 4 seconds (Fig.1) until the "3rd speed" indicator on the hood flashes for 3 times.
2. Press any button on the remote control within 4 seconds to confirm the link (Fig.2). If successful, the lights of the hood will turn on. The range hood is now synchronized with the remote control. If you experience any problems, repeat the procedure.



FCC Caution: To assure continued compliance, any changes or modifications not expressly approved by the party responsible for compliance could void the user's authority to operate this equipment. (Example - use only shielded interface cables when connecting to computer or peripheral device. This device complies with Part 15 of the FCC Rules. Operation is subject to the following two conditions. (1) This device may not cause harmful interference, and (2) This device must accept any interference received, including interference that may cause undesired operation.

GENERAL INFORMATION:

- Remove any protective film from the remote surface prior to using it.
- The remote control has a range of approximately 10-15 feet.
- The remote control is equipped with a magnetic base and may be attached to ferrous surface for easy storage.
- The remote top is made of a plastic material and is prone to scratches.

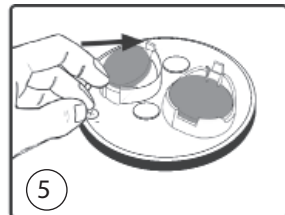
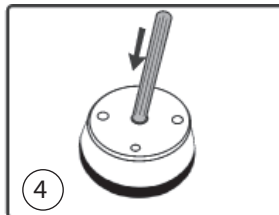
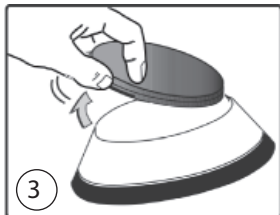
Use care when handling and cleaning the remote; we suggest using a microfiber cloth to clean it.

- The remote control will enter a sleep mode after 20 seconds of inactivity to conserve battery life. Press any button for one second to wake the remote.

BATTERY REPLACEMENT:

The batteries will last approximately 8 months, depending on usage.

1. Remove rubber cover from bottom (Fig.3).
2. Using an object such as a screwdriver or pen, gently place it in the center opening in the bottom of the remote and push inwards to dislodge the top touch panel from the remote body. (Fig. 4)
3. Press on the metal spring located in the battery tray to dislodge battery. Replace both batteries with type 3V CR2450 (Fig.5). Re-assemble by following instructions in reverse.

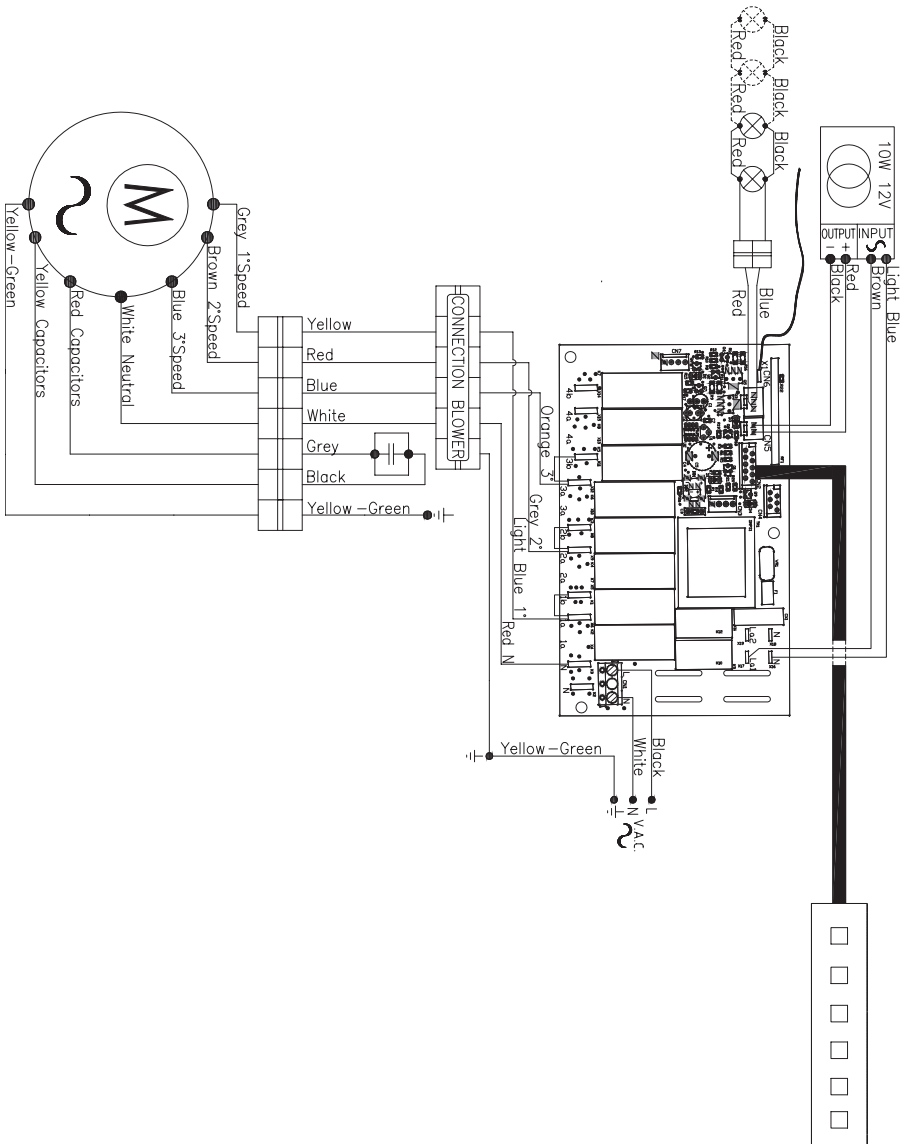


Maintenance

- It is recommended to operate the appliance prior to cooking. It is recommended to leave the appliance in operation for 5 minutes after cooking is completed in order to completely eliminate cooking vapors and odors. The proper function of the range hood is conditioned by the regularity of maintenance.
- The decorative mesh filters capture the grease particles suspended in the air and are therefore subject to clogging because of frequent use. In order to prevent a fire hazard, it is recommended to clean the filter a minimum of every 2 months or when instructed by the Metal Filter Clean indicator on the range hood controls. Clean the range hood by carrying out the following instructions:
 - Remove the filters from the range hood and wash them in a solution of water and neutral liquid detergent, leaving to soak.
 - Rinse thoroughly with warm water and leave to dry.
 - Filters may also be washed in the dishwasher at the lowest setting.The filters may alter in color after several washes but is not cause for replacement.
- Clean the blower and other surfaces of the range hood regularly using a cloth moistened with denatured alcohol or non abrasive liquid detergent.

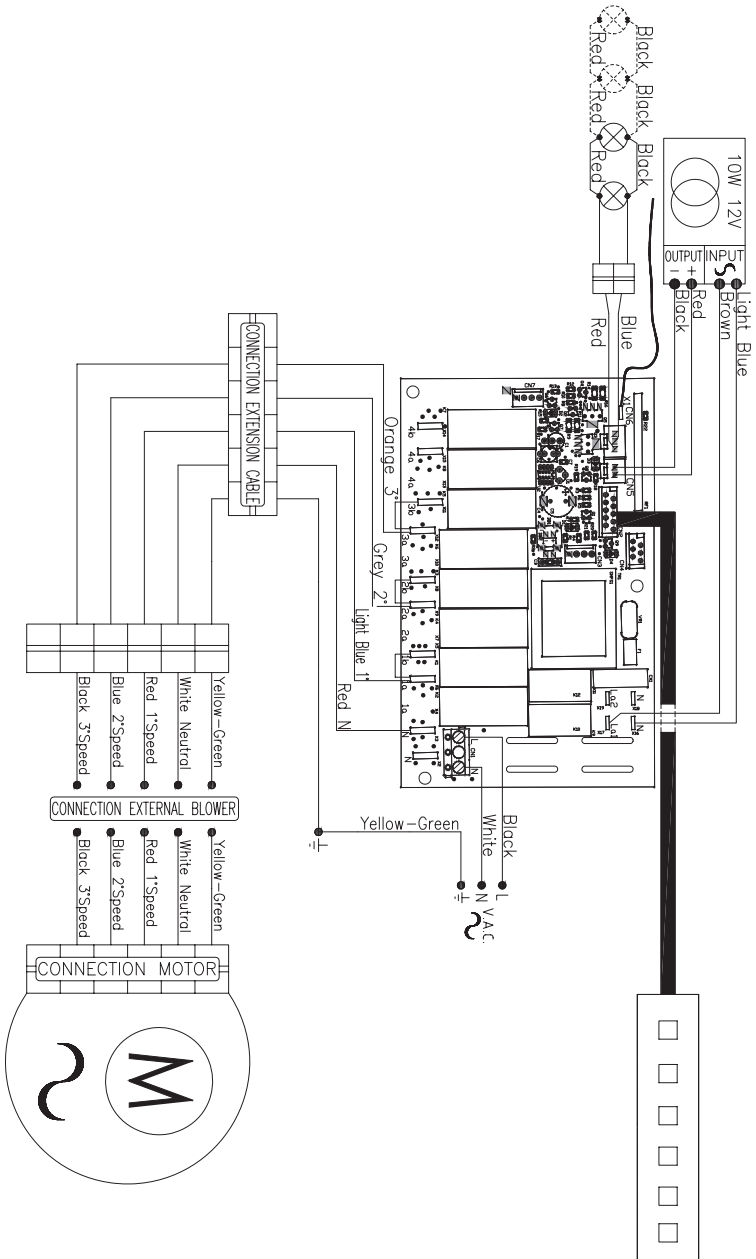
Wiring Diagram

INTERNAL BLOWER CIRCUIT DIAGRAM



Wiring Diagram

REMOTE BLOWER CIRCUIT DIAGRAM



List of Parts and Accessories

DESCRIPTION	HOOD	PART#
REPLACEMENT PARTS		
LED Light 1.3W (each)	DLA, DVS	Z0B0051
OPTIONAL ACCESSORIES		
Recirculating Kit	DLA, DVS	ZRC-00VS
Replacement Charcoal Filters	DLA, DVS	Z0F-C010
Extension Duct Cover	DLA, DVS	Z1C-00VS
Remote Control	DLA, DVS	14000010
Internal Blower, 290 CFM	DLA, DVS	CBI-290A
Internal Blower, 600 CFM	DLA, DVS	CBI-600A
External Blower, 1000 CFM	DLA, DVS	CBE-1000
In-Line Blower, 1000 CFM	DLA, DVS	PBN-1000A

To order parts, visit us online at <http://store.zephyronline.com> or call us at 1.888.880.8368

UL References	
LED Light 1.3W (each)	SPK8148
Recirculating Kit	KIT0085
Replacement Charcoal Filters	ACK00061
Extension Duct Cover	KIT0086

ZEPHYR Limited Warranty

TO OBTAIN SERVICE UNDER WARRANTY OR FOR ANY SERVICE RELATED QUESTIONS:
United States Customers please call: 1-888-880-8368 or contact us at: zephyronline.com/contact
Canada Customers please call: 1-800-361-0799 or Email: service@distinctive-online.com

Zephyr Ventilation, LLC (referred to herein as “we” or “us”) warrants to the original consumer purchaser (referred to herein as “you” or “your”) of Zephyr products (the “Products”) that such Products will be free from defects in materials or workmanship as follows:

Two Year Limited Warranty for Parts: For two years from the date of your original purchase of the Products, we will provide, free of charge, Products or parts (including LED light bulbs, if applicable) to replace those that failed due to manufacturing defects subject to the exclusions and limitations below. We may choose, in our sole discretion, to repair or replace parts before we elect to replace the Products.

One Year Limited Warranty for Labor: For one year from the date of your original purchase of the Products, we will provide, free of charge, the labor cost associated with repairing the Products or parts to replace those that failed due to manufacturing defects subject to the exclusions and limitations below. After the first year from the date of your original purchase, you are responsible for all labor costs associated with this warranty.

Warranty Exclusions: This warranty covers only repair or replacement, at our option, of defective Products or parts and does not cover any other costs related to the Products including but not limited to: (a) normal maintenance and service required for the Products and consumable parts such as fluorescent, incandescent or halogen light bulbs, mesh and charcoal filters and fuses; (b) any Products or parts which have been subject to freight damage, misuse, negligence, accident, faulty installation or installation contrary to recommended installation instructions, improper maintenance or repair (other than by us); (c) commercial or government use of the Products or use otherwise inconsistent with its intended purpose; (d) natural wear of the finish of the Products or wear caused by improper maintenance, use of corrosive and abrasive cleaning products, pads, and oven cleaner products; (e) chips, dents or cracks caused by abuse or misuse of the Products; (f) service trips to your home to teach you how to use the Products; (g) damage to the Products caused by accident, fire, floods, acts of God; or (h) Custom installations or alterations that impact serviceability of the Products. If you are outside our service area, additional charges may apply for shipping costs for warranty repair at our designated service locations and for the travel cost to have a service technician come to your home to repair, remove or reinstall the Products. After the first year from the date of your original purchase, you are also responsible for all labor costs associated with this warranty. All Products must be installed by a qualified professional installer to be eligible for warranty repairs or service.

Limitations of Warranty. OUR OBLIGATION TO REPAIR OR REPLACE, AT OUR OPTION, SHALL BE YOUR SOLE AND EXCLUSIVE REMEDY UNDER THIS WARRANTY. WE SHALL NOT BE LIABLE FOR INCIDENTAL, CONSEQUENTIAL OR SPECIAL DAMAGES ARISING OUT OF OR IN CONNECTION WITH THE USE OR PERFORMANCE OF THE PRODUCTS. THE EXPRESS WARRANTIES IN THE PRECEDING SECTION ARE EXCLUSIVE AND IN LIEU OF ALL OTHER EXPRESS WARRANTIES. WE HEREBY DISCLAIM AND EXCLUDE ALL OTHER EXPRESS WARRANTIES FOR THE PRODUCTS, AND DISCLAIM AND EXCLUDE ALL WARRANTIES IMPLIED BY LAW, INCLUDING THOSE OF MERCHANTABILITY AND FITNESS FOR A PARTICULAR PURPOSE.

Some states or provinces do not allow limitations on the duration of an implied warranty or the exclusion or limitation of incidental or consequential damages, so the above limitations or exclusions may not apply to you. To the extent that applicable law prohibits the exclusion of implied warranties, the duration of any applicable implied warranty is limited to the same two-year and one-year periods described above if permitted by applicable law. Any oral or written description of the Products is for the sole purpose of identifying the Products and shall not be construed as an express warranty. Prior to using, implementing or permitting use of the Products, you shall determine the suitability of the Products for the intended use, and you shall assume all risk and liability whatsoever in connection with such determination. We reserve the right to use functionally equivalent refurbished or reconditioned parts or Products as warranty replacements or as part of warranty service. This warranty is not transferable from the original purchaser and only applies to the consumer residence where the Product was originally installed located in the United States and Canada. This warranty is not extended to resellers.

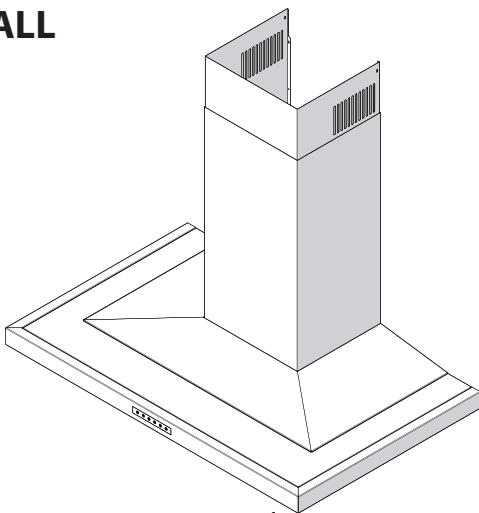
To Obtain Service Under Limited Warranty: To qualify for warranty service, you must: (a) notify us at the address or telephone number stated below within 60 days of the discovery of the defect; (b) give the model number and serial number; and (c) describe the nature of any defect in the Product or part. At the time of the request for warranty service, you must present evidence of your proof of purchase and proof of the original purchase date. If we determine that the warranty exclusions listed above apply or if you fail to provide the necessary documentation to obtain service, you will be responsible for all shipping, travel, labor and other costs related to the services. This warranty is not extended or restarted upon warranty repair or replacements.

Please check our website for any additional Product information, www.zephyronline.com.

Zephyr, 2277 Harbor Bay Parkway, Alameda, CA 94502

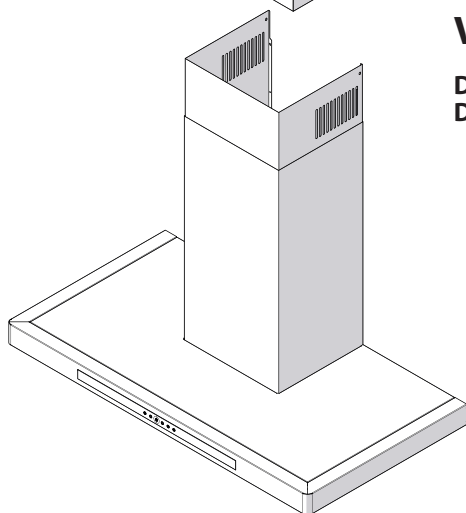
LAYERS WALL

DLA-E42ASSX
DLA-M90ASSX



VISTA WALL

DVS-E30ASSX
DVS-E36ASSX



HOTTE PER CUISINE - Notice d'utilisation

ENGLISH.....3

FRANÇAIS.....28

Sommaire

INSTRUCTIONS DE SECURITE.....	pag. 31
LISTE DES MATERIAUX.....	pag. 36
FEUILLE POUR CALCULER LES CONDUITS.....	pag. 38
SPECIFICATIONS TECHNIQUES.....	pag. 39
INSTALLATION	
- MOTEUR INTERIEUR.....	pag. 41
- PREPARATION MOTEUR EXTERIEUR ET IN-LINE.....	pag. 43
- OPTIONS D'ASPIRATION.....	pag. 45
- FIXATION DE LA HOTTE.....	pag. 46
- RACCORDEMENT AU RESEAU ELECTRIQUE.....	pag. 47
- FIXATION DES CHEMINEES.....	pag. 48
CONTRÔLE TACTILEE.....	pag. 49
TÉLÉCOMMANDE EN OPTION.....	pag. 50
ENTRETIEN.....	pag. 51
SCHEMAS DE CABLAGE.....	pag. 52
LISTE DE PIÈCES DÉTACHÉES ET ACCESSOIRES.....	pag. 54
GARANTIE.....	pag. 55

Instructions De Securite 1/5

- **INSTRUCTIONS DE SECURITE IMPORTANTES**
- **POUR UN USAGE DOMESTIQUE EXCLUSIVEMENT**
- **LIRE ET CONSERVER LES INSTRUCTIONS**
- **COMMENCER PAR LIRE ENTIEREMENT LES INSTRUCTIONS.**
- **IMPORTANT:** Conserver les Instructions à usage des Inspecteurs Electriques Locaux.
- **A L'ATTENTION DE L'INSTALLATEUR:** Laisser les Instructions dans l'unité à usage du propriétaire.
- **A L'ATTENTION DU PROPRIETAIRE:** Conserver les Instructions pour des consultations ultérieures.

- N'utiliser des produits de nettoyage ou des détergents qu'avec la plus grande prudence.
- Cet appareil est propre à une utilisation domestique et culinaire.

- **AVERTISSEMENT** – Afin de réduire les risques d'incendie ou d'électrocution, ne pas utiliser le moteur avec un Dispositif de Contrôle de la Vitesse à Semi-conducteurs quel qu'il soit.

- **ATTENTION** – Afin de réduire les risques d'incendie et de permettre une aspiration correcte de l'air, s'assurer que celui-ci est bien transporté à l'extérieur à travers un conduit d'évacuation. – Ne pas évacuer l'air dans des interstices tels qu'entre des cloisons ou des plafonds, dans des greniers, des espaces confinés ou des garages.

- **ATTENTION** – N'utiliser que pour une ventilation générique. Cet appareil n'est pas propre à l'aspiration de matières ou de vapeurs dangereuses ou explosives.

- **ATTENTION** – Afin d'éviter des bruits et des dommages au niveau du moteur, et/ou un déséquilibre au niveau des hélices, veiller à ce que l'unité d'alimentation n'entre pas en contact avec du spray, de la poussière etc.

- **ATTENTION** – Pour obtenir des compléments d'informations, consulter l'étiquette de spécification sur le produit.

- **AVERTISSEMENT** – AFIN DE RÉDUIRE LES RISQUES D'INCENDIE, D'ÉLECTROCUTION OU DE DOMMAGES AUX PERSONNES, RESPECTER LES REGLES SUIVANTES:
 - A. N'utiliser l'unité que pour les opérations prévues par le fabricant. Pour toute question éventuelle, contacter le fabricant.
 - B. Avant d'effectuer des opérations de maintenance ou de nettoyage sur

Instructions De Sécurité 2/5

l'unité, débrancher le panneau de service et fermer à clef les commandes de déconnexion afin d'éviter toute mise sous tension accidentelle.

Au cas où les commandes de déconnexion ne pourraient être fermées à clef, fixer sur le panneau de service un message avertissant du danger, par exemple une plaque.

■ AVERTISSEMENT – AFIN DE RÉDUIRE LES RISQUES D'INCENDIE PAR INFLAMMATION DES GRAISSES PRÉSENTES SUR LA GAZINIÈRE:

- A. Ne jamais laisser de casseroles sur feu vif sans surveillance. D'éventuels débordements dus à une forte ébullition peuvent provoquer de la fumée et des dépôts de graisses susceptibles de prendre feu. Réchauffer l'huile lentement, à petit feu ou moyen.
- B. ALLUMER systématiquement la hotte pour cuisiner à des températures élevées ou pour flamber des aliments (ex. : Crêpes Suzette, Cerises Jubilee – cerises flambées au brandy et glace -, Boeuf flambé au poivre).
- C. Nettoyer souvent le moteur. Éviter que les graisses ne s'accumulent sur le moteur ou sur le filtre.
- D. Utiliser des plats aux dimensions adaptées. Toujours utiliser des ustensiles de cuisine adaptés à la taille de la casserole qui se trouve sur la cuisinière.
- E. Veiller à ce que le moteur, les filtres et la surface où viennent s'accumuler les graisses restent propres.
- F. N'utiliser une flamme élevée que lorsque cela est nécessaire. Réchauffer l'huile lentement, à faible ou moyenne température.
- G. Ne jamais laisser la cuisinière sans surveillance pendant la cuisson.
- H. Utiliser systématiquement des ustensiles de cuisine adaptés au type et à la quantité d'aliments que l'on prépare.

■ AVERTISSEMENT – AFIN DE RÉDUIRE LES RISQUES DE DOMMAGES AUX PERSONNES EN CAS D'INCENDIE PAR INFLAMMATION DES GRAISSES PRÉSENTES SUR LA CUISINIÈRE, RESPECTER LES RÈGLES SUIVANTES a:

- A. ÉTOUFFER LA FLAMME à l'aide d'un couvercle hermétique, une plaque à four ou un plateau en métal et éteindre le brûleur. PROCÉDER AVEC LA PLUS GRANDE PRUDENCE AFIN D'ÉVITER TOUTE BRÛLURE. Si les flammes ne s'éteignent pas immédiatement, ÉVACUER LA PIÈCE ET APPELER LES POMPIERS.
 - B. NE JAMAIS TOUCHER UN PLAT EN FEU – on risque de se brûler.
 - C. NE PAS UTILISER D'EAU, ni de chiffons ou de serviettes humides – cela pourrait provoquer une violente explosion de vapeur.
 - D. Utiliser un extincteur UNIQUEMENT dans les cas suivants:
 - 1. On dispose d'un extincteur de Classe ABC que l'on sait faire fonctionner.
 - 2. L'incendie est peu important et il est confiné à la zone où il a éclaté.
 - 3. On a déjà appelé les pompiers.
 - 4. On peut affronter les flammes tout en ayant une issue de secours derrière soi.
- aBasé sur les « mesures de sécurité incendie dans la cuisine » publiées par

Instructions De Securite 3/5

l'organisme NFPA.

Une bonne maintenance de la hotte garantit le parfait fonctionnement de l'unité.

■ INSTRUCTIONS D'INSTALLATION

AVERTISSEMENT – AFIN DE RÉDUIRE LES RISQUES D'INCENDIE, D'ÉLECTROCUTION OU DE DOMMAGES AUX PERSONNES, RESPECTER LES REGLES SUIVANTES:

- A. Les opérations d'installation et de branchement électrique doivent être effectuées par du personnel qualifié, conformément aux lois et aux normes en vigueur, y compris celles relatives aux appareils à feu.
- B. Il est nécessaire de disposer d'une quantité d'air suffisante pour une bonne combustion et aspiration des gaz à travers le conduit de fumée de l'installation de combustion du carburant, afin d'éviter un appel d'air de l'arrière. Suivre les indications du fabricant de l'installation de chauffage et les normes de sécurité correspondantes telles que celles émises par l'Association Nationale de Protection contre les Incendies (National Fire Protection Association - NFPA), la Société Américaine des Techniciens de Chauffage, Réfrigération et Climatisation de l'Air (American Society for Heating, Refrigeration and Air Conditioning Engineers - ASHRAE), et par les autorités locales préposées.
- C. Au cours des opérations de découpage ou de perforation du mur ou du plafond, veiller à ne pas endommager les câbles électriques ou d'autres canalisations cachées.
- D. L'appareil doit toujours être relié à un trou d'évacuation vers l'extérieur.
- E. L'unité doit être reliée à la terre.

■ **AVERTISSEMENT** – AFIN DE RÉDUIRE LES RISQUES D'INCENDIE, N'UTILISER QUE DES CONDUITS METALLIQUES

■ **AVERTISSEMENT** – LES APPAREILS ELECTROMENAGERS PEUVENT PARFOIS S'AVERER DANGEREUX.

- A. Ne pas contrôler les filtres lorsque la hotte est en état de marche.
 - B. Ne pas toucher les lampes après une utilisation prolongée de l'appareil.
 - C. Ne jamais faire flamber d'aliments sous la hotte.
 - D. L'usage de flammes libres est dangereux pour les filtres et peut générer des incendies.
 - E. Contrôler constamment les fritures pour éviter que des éclaboussures d'huile ne prennent feu.
 - F. Avant d'effectuer toute opération de maintenance, débrancher la hotte du réseau d'alimentation électrique.
- Le fabricant ne pourra être retenu responsable d'éventuels dommages causés par le non respect des instructions susmentionnées.

Instructions De Securite 4/5

Exigences électriques

Important:

- Respectez tous les codes et ordonnances en vigueur.
- Il est de la responsabilité du client d'en prendre connaissance ci-dessous:
- Pour contacter un installateur électrique qualifié.
- Pour garantir que l'installation électrique est adéquate et conforme au National Electrical Code, ANSI / NFPA 70 dernière édition * ou aux normes CSA C22.1-94, Code canadien de l'électricité, partie 1 et C22.2 No.0-M91 - dernière édition ** et tous les codes et ordonnances locaux.
- Si les codes le permettent et qu'un fil de terre séparé est utilisé, il est recommandé qu'un électricien qualifié détermine que le chemin de terre est adéquat.
- Ne pas mettre à la terre un tuyau de gaz.
- Vérifiez auprès d'un électricien qualifié si vous n'êtes pas sûr que la hotte est correctement mise à la terre.
- Ne pas avoir de fusible dans le circuit neutre ou de terre.
- Cet appareil nécessite une alimentation électrique de 120 V à 60 Hz et est connecté à un circuit de dérivation individuel correctement mis à la terre protégé par un disjoncteur de 15 ou 20 ampères ou un fusible temporisé. Le câblage doit être à 2 fils avec mise à la terre. Veuillez également vous référer au schéma électrique du produit.
- Un connecteur de verrouillage de câble (non fourni) peut également être requis par les codes locaux. Vérifiez les exigences locales, achetez et installez le connecteur approprié si nécessaire.

* National Fire Protection Association Batterymarch Park, Quincy, Massachusetts 02269

** CSA International 8501 East Pleasant Valley Road, Cleveland, Ohio 44131-5575

Déclaration d'interface de la Federal Communication Commission

- Cet équipement a été testé et déclaré conforme aux limites d'un appareil numérique de classe B, conformément à la partie 15 des règles FCC. Ces limites sont conçues pour fournir une protection raisonnable contre les interférences nuisibles dans une installation résidentielle.
- Cet équipement génère, utilise et peut émettre de l'énergie radiofréquence et, s'il n'est pas installé et utilisé conformément aux instructions, peut provoquer des interférences nuisibles aux communications radio. Cependant, il n'y a aucune garantie que des interférences ne se produiront pas dans une installation particulière. Si cet équipement cause des interférences nuisibles à la réception de la radio ou de la télévision, ce qui peut être déterminé en éteignant et en

Instructions De Securite 5/5

rallumant l'équipement, l'utilisateur est encouragé à essayer de corriger les interférences par l'une des mesures suivantes:

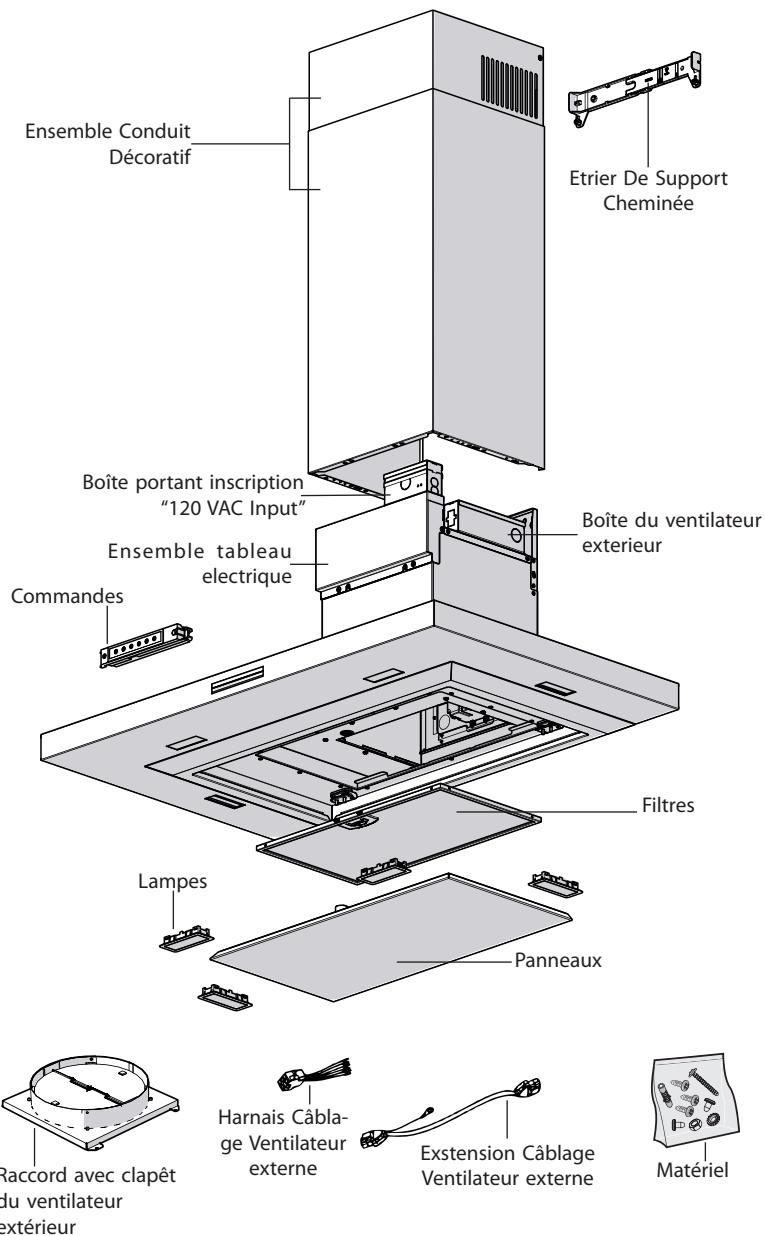
- Réorientez ou déplacez l'antenne de réception.
- Augmentez la séparation entre l'équipement et le récepteur.
- Connectez l'équipement à une prise sur un circuit différent de celui sur lequel le récepteur est connecté.
- Consultez le revendeur ou un technicien radio / TV expérimenté pour obtenir de l'aide.



AVERTISSEMENT Prop. 65 Avertissement pour les résidents de Californie: Ce produit peut contenir des produits chimiques reconnus par l'État de Californie comme pouvant provoquer le cancer, des malformations congénitales ou d'autres troubles de la reproduction.

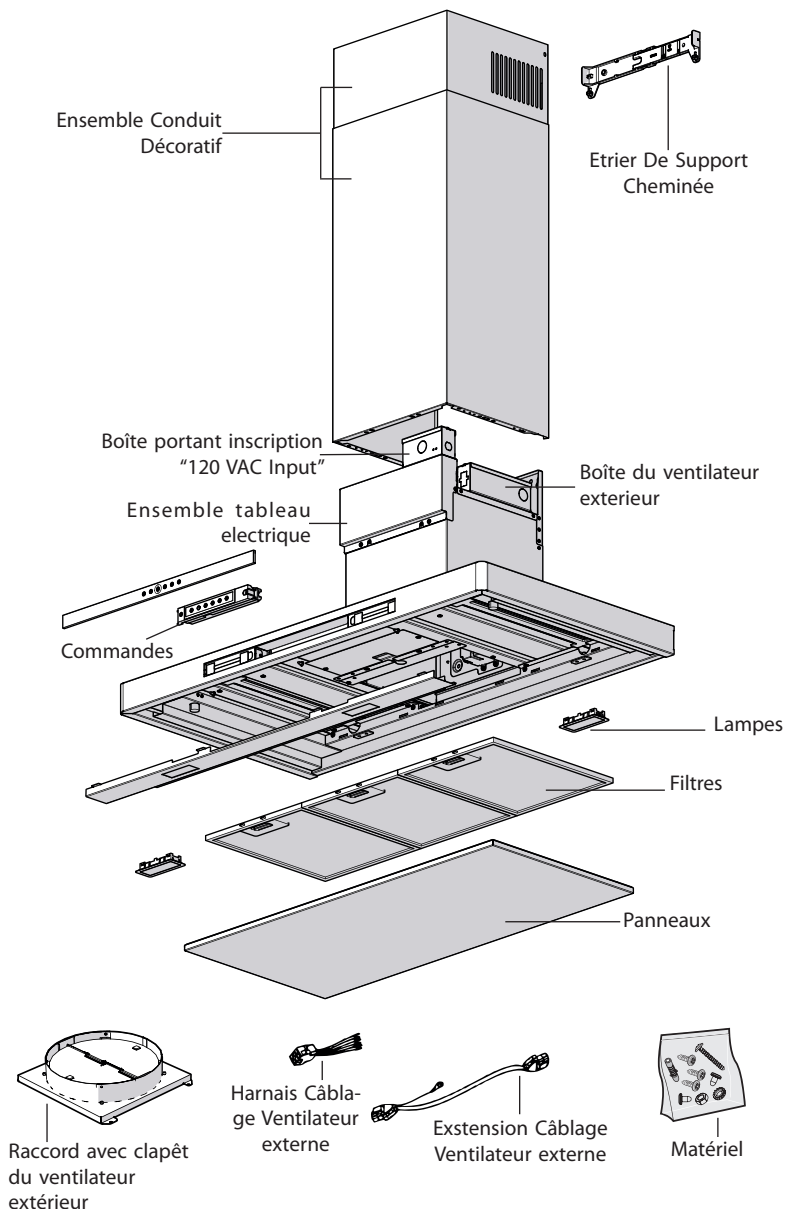
Liste Des Matériaux

Modèles: DLA-E42ASSX / DLA-M90ASSX












Liste Des Matériaux

Modèles: DVS-E30ASSX / DVS-E36ASSX












Feuille Pour Calculer Les Conduits

Pièces de conduit		Longueur x Nombre utilisé =	Total
	3-1/4 po x 10 po rect., droit	1 pi x () =	pi
	6 po, 7 po, 8 po, 10 po circ., droit	1 pi x () =	pi
	3-1/4 po x 10 po rect., coude à 90°	15 pi x () =	pi
	3-1/4 po x 10 po rect., coude à 45°	9 pi x () =	pi
	3-1/4 po x 10 po rect., coude plat à 90°	24 pi x () =	pi
	7 po to 6 po or 8 po to 7 po circ. reducteur conique	25 pi x () =	pi
	6 po, 7 po, 8 po circ. bouchone de l'air	15 pi x () =	pi
	6 po, 7 po, 8 po, 10 po circ., coude à 90°	15 pi x () =	pi
	6 po, 7 po, 8 po, 10 po coude à 45°	9 pi x () =	pi
Sous-total - colonne 1 =			pi

Longueur maximale du conduit d'aération :

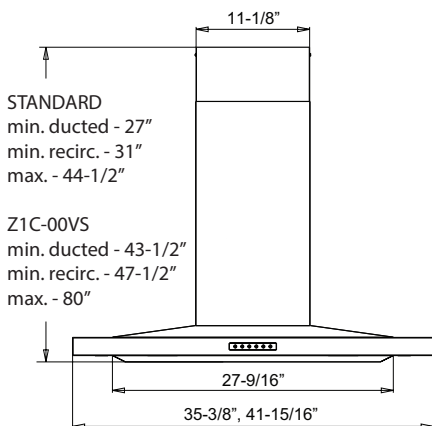
Pour un mouvement d'air convenable, la longueur totale d'un conduit d'aération ne devrait pas compter plus que l'équivalent de 150 pieds.

Pièces de conduit		Longueur x Nombre utilisé =	Total
	6 po circ. à rect. de 3-1/4 po x 10 po	5 pi x () =	pi
	6 po circ. à rect. de 3-1/4 po x 10 po, coude à 90°	20 pi x () =	pi
	6 po circ. à rect. de 3-1/4 po x 10 po	1 pi x () =	pi
	6 po circ. à rect. de 3-1/4 po x 10 po, coude à 90°	16 pi x () =	pi
	7 po circ. à rect. de 3-1/4 po x 10 po	8 pi x () =	pi
	7 po circ. à rect. de 3-1/4 po x 10 po, coude à 90°	23 pi x () =	pi
	3-1/4 po x 10 po embout mural rect./registre	30 pi x () =	pi
	6 po, 7 po, 8 po, 10 po embout mural circ./registre	30 pi x () =	pi
	6 po, 7 po, 8 po, 10 po chapeau de toiture circ.	30 pi x () =	pi
Sous-total - colonne 2 =			pi
Sous-total - colonne 1 =			pi
Total du conduit =			pi

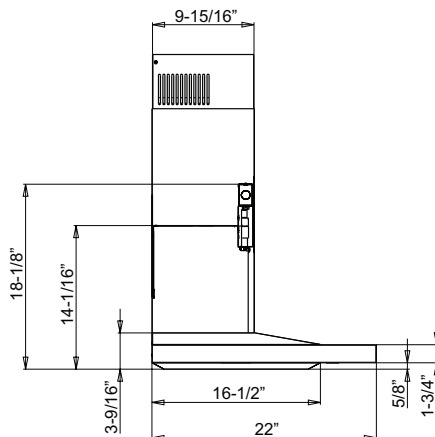
Specifications Techniques

Modèles: DLA-E42ASSX / DLA-M90ASSX

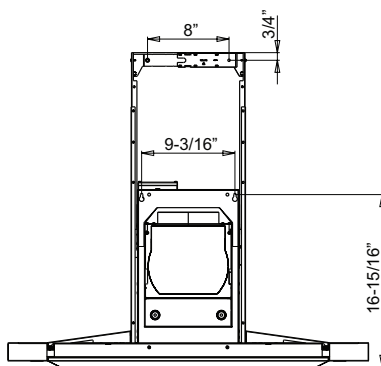
Partie avant de la hotte



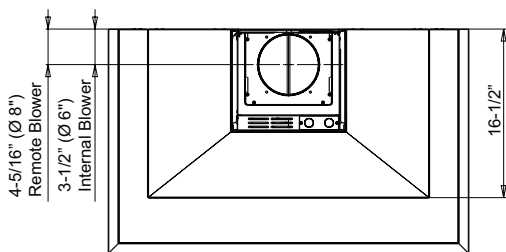
Partie latérale de la hotte



Arrière de la hotte



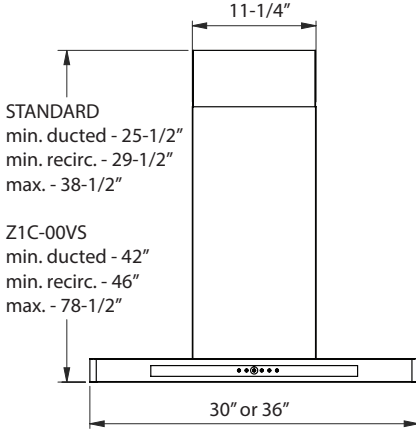
Partie supérieure de la hotte



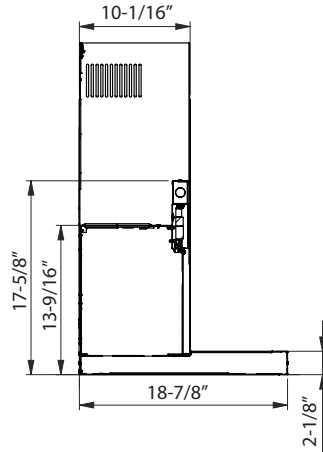
Specifications Techniques

Modèles: DVS-E30ASSX / DVS-E36ASSX

Partie avant de la hotte

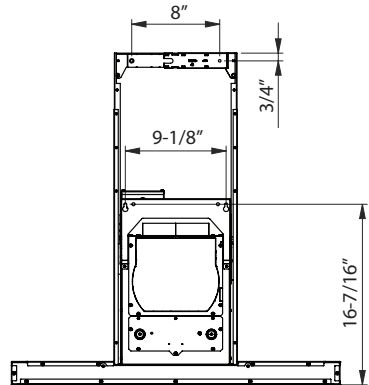
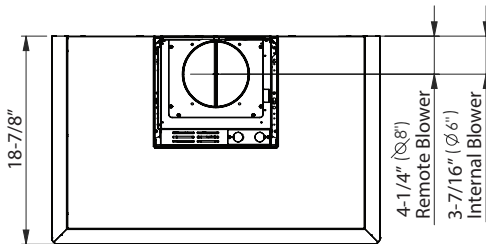


Partie latérale de la hotte



Arrière de la hotte

Partie supérieure de la hotte

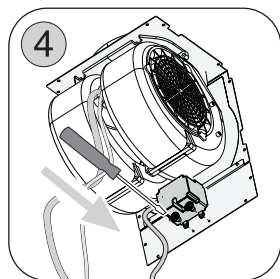
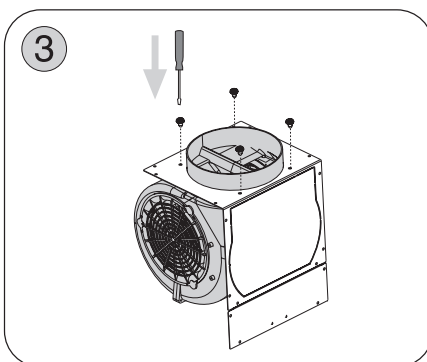
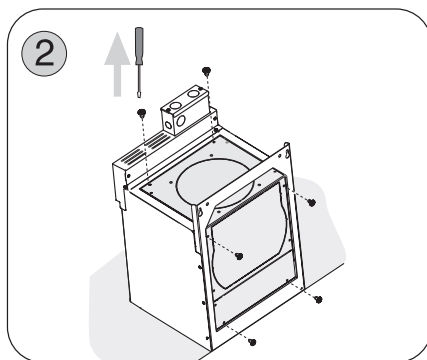
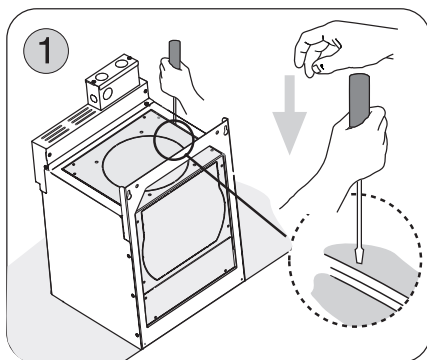


Installation – Moteur Interieur

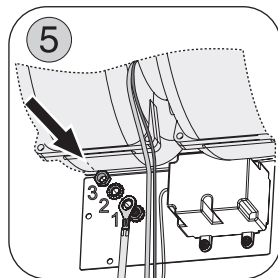
■ Les instructions qui suivent concernent l'installation du moteur intérieur.
AVERTISSEMENT: à fin de reduire le risque de incendie et de shock électrique il faut installer la hotte seulement avec les modèles avec moteur a l'intérieur modèles CBI-290A ou CBI-600A.

Pour la préparation du moteur extérieur et in-line, allez à la page 43.

1. Enlevez la plaque métallique circulaire de 6" à l'aide d'un tournevis plat. Fig.1
2. Dévissez les (6) vis fixant la plaque du moteur au corps moteur et enlevez la plaque. Fig.2
3. Installez le moteur intérieur dans la plaque du moteur et fixez l'ensemble en utilisant les (4) vis. Fig.3
4. Placez à la plaque du moteur le condensateur relié câble en dotation en utilisant les (2) vis. Fig.4
5. Fixez le câble de la terre vert/jaune connecte au câble avec le condensateur en dotation dans la vis se trouvant sur la plaque du moteur. Fig.5



6. Raccordez le connecteur mâle à 6 voies du moteur au connecteur femelle à 6 voies, relié à l'intérieur du corps moteur. Fig.6

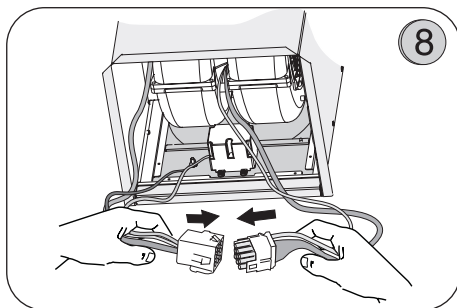
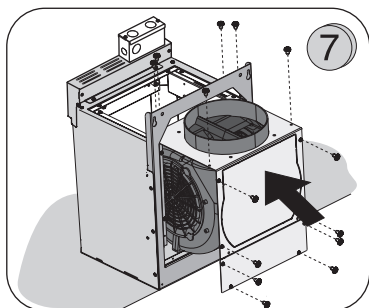
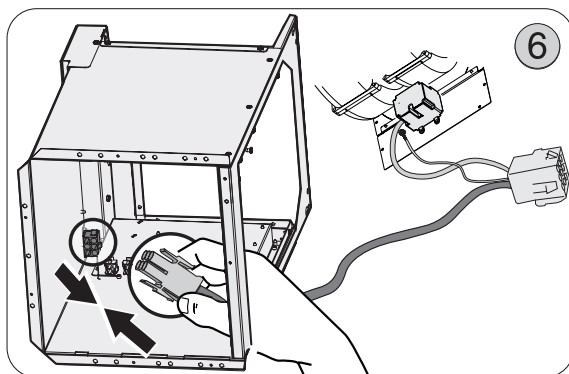


7. Installez le moteur et la plaque à l'intérieur du corps moteur en respectant les instructions de la phase 2 dans l'ordre inverse et en fixant les éléments à l'aide des vis fournies. (Tot. 14) Fig.7

8. Reliez le connecteur mâle à 9 voies du moteur au connecteur femelle à 9 voies du condenseur.

AVERTISSEMENT! Placez les câbles électriques à l'intérieur du corps moteur.

A ce point, la hotte est prête pour être installée au mur.



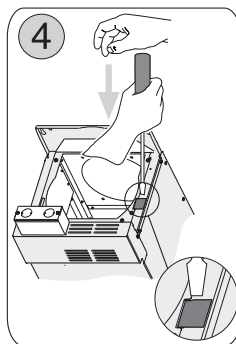
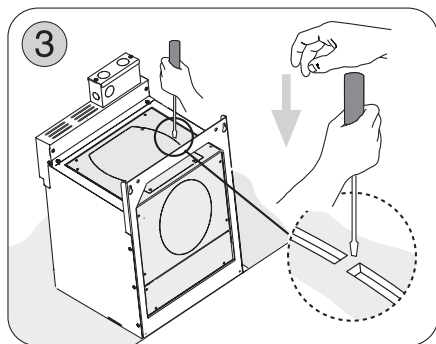
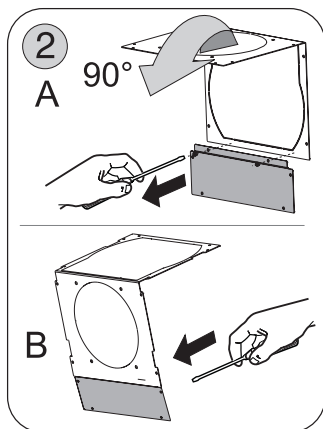
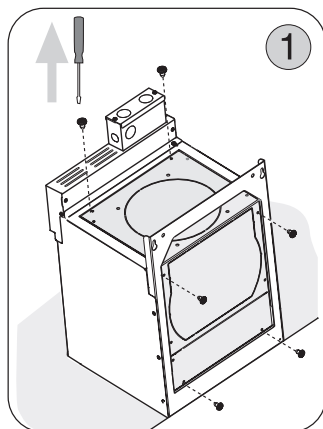
Installation – Preparation Moteur Exterieur Et In-Line

■ Les phases suivantes concernent la préparation de la hotte avec moteur extérieur ou moteur In-Line. CBE-1000, PBN-1000A.

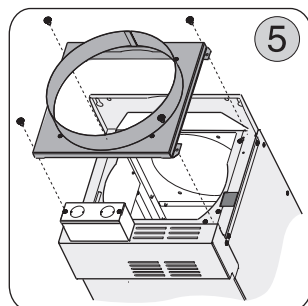
AVERTISSEMENT: à fin de reduire le risque de incendie et de shock électrique il faut installer la hotte seulement avec le moteur a l'extèrieur reglé au maximum 6.2A.

Pour les instructions du moteur intérieur, revenez à la page 41.

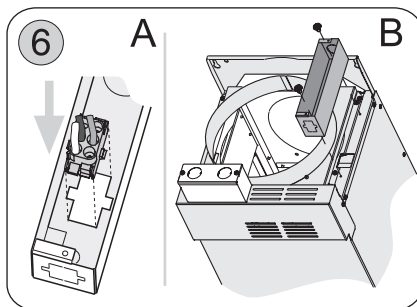
1. Dévissez les (6) vis fixant la plaque du moteur au corps moteur et enlevez la plaque. Fig.1
2. Enlevez la plaque rectangulaire de la plaque du moteur. Fig.2A. Tournez la plaque du moteur de 90° et attachez la plaque rectangulaire dans la partie inférieure tournée. Fig.2B
3. Installez à nouveau la plaque du moteur dans le corps du moteur en respectant les instructions de la phase 1 dans l'ordre inverse et en fixant les éléments à l'aide des vis fournies. (Tot. 14)
4. Enlevez la plaque métallique du moteur et la petite plaque du corps moteur en vous aidant d'un tournevis plat. Fig.3 et 4.



5. Fixez la bride circulaire de 8" dans la partie supérieure du corps moteur en utilisant les (4) vis. Fig.5



6. Insérez le connecteur femelle dans la boîte des connexions. Fig. 6A. Installez la boîte des connexions introduite à l'intérieur du sachet de matériel, dans la partie supérieure du corps moteur en utilisant les (2) vis. Fig. 6B

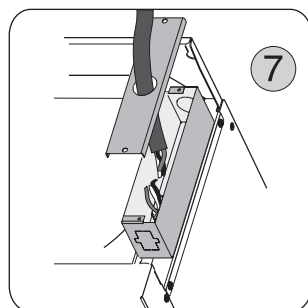


7. Faire passer les fils du moteur éloigné au travers du couvercle de la boîte des connexions et les relier à ceux se trouvant à l'intérieur de la boîte.

Remarque: Réalisez la connexion électrique conformément aux dispositions de la norme nationale (ANSI/NFPA 70-1999).

8. Refermez le couvercle de la boîte en le fixant avec les (2) vis. Fig. 7

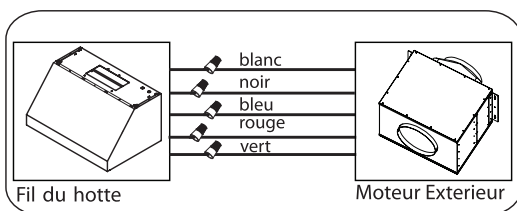
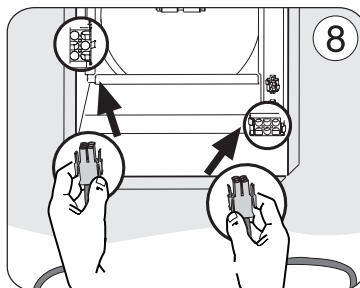
Remarque1: Le bloque-câble (fourni) pourrait être requis par les réglementations locales. Pour de plus amples informations, prière de consulter les réglementations locales.



9. Raccordez les deux connecteurs mâles à 6 voies aux deux connecteurs femelles à 6 voies se trouvant à l'intérieur du corps moteur. Fig. 8

Remarque2: Consultez les réglementations locales pour déterminer le diamètre minimum prescrit du câble.

Suivez les instructions pour l'installation se trouvant dans le manuel annexé au moteur extérieur et au moteur In-Line.



Installation – Options D’aspiration

■ AVERTISSEMENT : DANGER D’INCENDIE

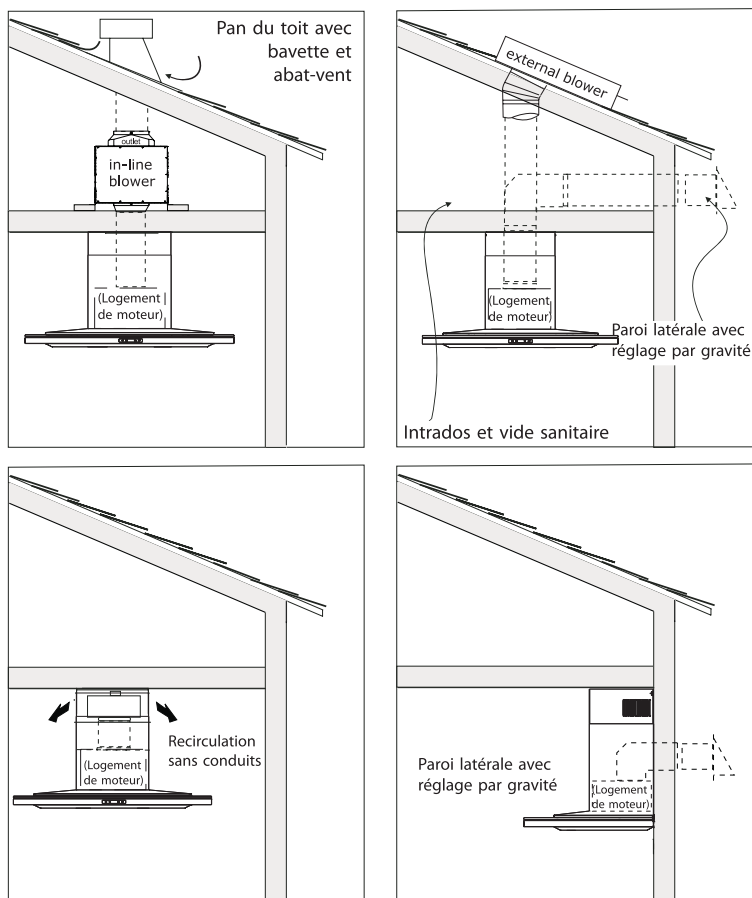
N’installez JAMAIS le conduit d’évacuation de l’air dans les interstices des murs, vides sanitaires, attiques ou garages.

L’air doit toujours être évacué à l’extérieur sauf si on opte pour l’option de la recirculation .

Utilisez exclusivement des conduits en métal rigide à simple paroi.

Procédez à toutes les connexions en vous servant des vis auto-taraudeuses et appliquez du ruban adhésif américain certifié sur toutes les jonctions.

Voici quelques possibilités d’installation des conduits



Installation – Fixation De La Hotte

■ INSTALLATION

L'appareil doit être installé à une hauteur minimum de 24 pouces (61 cm) de plaque. Si l'on utilise un conduit composé de deux éléments, la partie supérieure doit alors être reliée à l'extérieur de la partie inférieure.

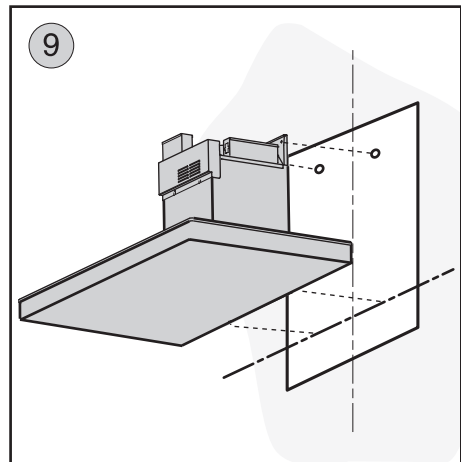
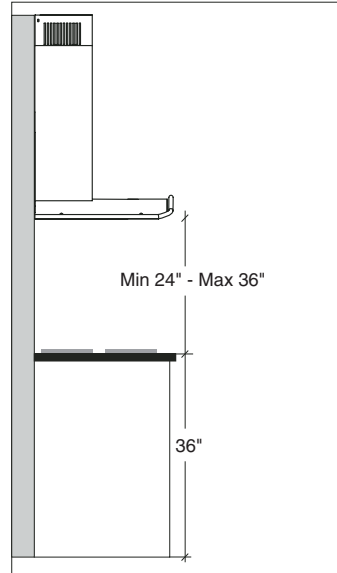
Ne pas relier le conduit d'aspiration d'air de la hotte à celui utilisé pour aspirer l'air chaud ou les fumées provenant de d'autres appareils électroménagers non électriques. Avant de procéder aux opérations d'assemblage, retirer le(s) filtre(s) anti-graisses. L'unité sera ainsi plus facile à manoeuvrer.

■ FIXATION AU MUR

1. Positionnez le gabarit de fixation fourni avec la hotte sur la paroi pour déterminer l'emplacement des vis pour le montage de la hotte. Assurez-vous que la ligne au fond du gabarit est alignée avec la partie inférieure de la hotte à l'endroit où celle-ci devra être positionnée. Fig. 9
2. Soulevez la hotte sur les vis et réglez-la pour vous assurer que la hotte est bien alignée horizontalement.
3. Quand la hotte aura été réglée, serrez les vis pour fixer la hotte.

Remarque: Durant l'installation, veuillez fixer les vis sur les montants en bois. Si vous utilisez une agrafeuse, consultez la réglementation locale pour déterminer le type et la conformité des crampons à utiliser.

Remarque1: Pour les différentes installations utiliser les vis et les supports correspondants adaptés au type de mur sur lequel on entend fixer l'appareil (mesure minimum de la vis 1/4" avec un diamètre X 2-3/4" de longueur).



Installation – Raccordement Au Réseau Electrique

■ GENERALITES

• Lire attentivement les informations suivantes, relatives à la sécurité dans les opérations d'installation et de manutention. Conserver ce fascicule d'informations pour des consultations ultérieures.

■ BRANCHEMENT ÉLECTRIQUE

Pour brancher l'appareil au réseau d'alimentation électrique, suivre les indications reportées sur la figure:

1. Soulevez la cheminée inférieure et fixez-la soigneusement avec du ruban adhésif.
2. Enlevez le couvercle d'alimentation en dévissant les (2) vis. Fig. 10
3. Cassez le trou du couvercle de la boîte.
4. Fixez le conduit d'alimentation au couvercle.
5. Reliez les fils du hotte à ceux de l'alimentation électrique en procédant aux raccordements suivants. Fig.11:

NOIR = **L** ligne

BLANC = **N** neutre

VERT / JAUNE = **G** terre

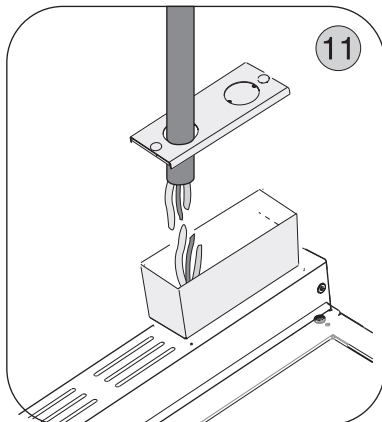
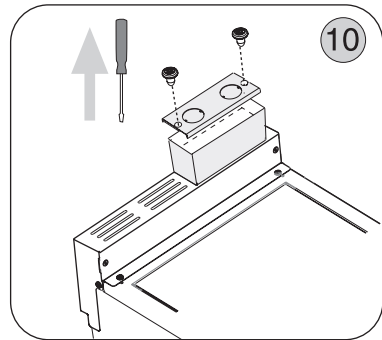
- Un interrupteur bipolaire approprié doit être installé afin de permettre à la hotte de se débrancher du réseau électrique.

- Raccordez le conduit électrique au boîtier de connexion en n'utilisant que des composants homologués.

- Réalisez la connexion électrique conformément aux dispositions de la norme nationale (ANSI/NFPA 70-1999).

6. Insérez les câbles à l'intérieur de la boîte et ensuite fermez-la en fixant le couvercle avec les vis précédemment enlevées.

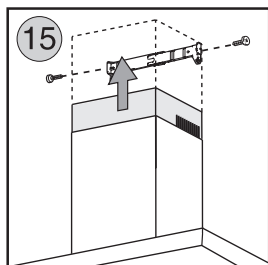
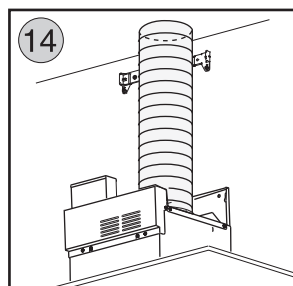
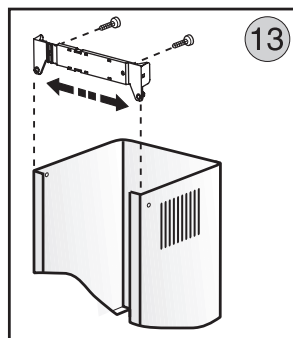
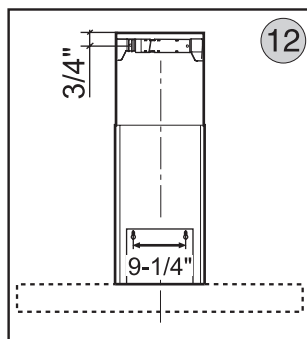
7. Enlevez le ruban adhésif de la cheminée et placez la cheminée inférieure au corps de la hotte



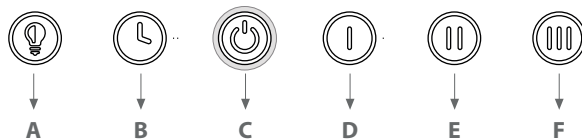
Installation – Fixation Des Cheminees

■ FIXATION DES CHEMINEES

1. Installez la connexion électrique et essayez le fonctionnement de la hotte avant d'installer les cheminées.
2. Si vous utilisez la hotte version recyclage, assurez-vous d'installer le déviateur d'air avant d'installer les cheminées. Pour de plus amples instructions, consultez le manuel fourni avec le kit de recyclage.
3. Réglez la largeur de l'étrier de support de la cheminée afin qu'il s'insère à l'intérieur de la cheminée supérieure et respectez la distance indiquée dans la fig.12
4. Fixez l'étrier à la paroi à peine sous le plafond en utilisant les (2) vis A.
5. Reliez le tuyau à partir du trou d'évacuation de l'air au plafond à l'étrier sur la hotte et fixez-le en utilisant un ruban aluminium. Fig.14
6. Insérez la cheminée supérieure à l'intérieur de la cheminée inférieure. Positionnez les cheminées dans le logement spécial sur la hotte.
7. Extraire le tube supérieur en le portant jusqu'à l'étrier et le fixer avec les (2) vis. Fig.15



Contrôle tactile



A - Bouton d'éclairage: Les lumières sont à trois niveaux (haut, moyen, bas). En mode veille, touchez une fois pour le haut, deux fois pour le moyen, trois fois pour le bas, quatre fois pour revenir en arrière.

B - Bouton de désactivation de la temporisation: Appuyez sur le bouton de désactivation de la temporisation pour activer la fonction de désactivation de la temporisation de dix minutes, quelle que soit la vitesse de fonctionnement du ventilateur. Le bouton B se met à clignoter, indiquant que la fonction de désactivation de la temporisation est activée. Au bout de dix minutes, le ventilateur et les lumières s'éteignent. La fonction de désactivation de la temporisation peut être désactivée en appuyant sur le bouton B, en changeant la vitesse ou en appuyant sur le bouton d'alimentation C.

C - Bouton d'alimentation : Appuyez une fois pour activer tous les boutons en mode veille, ce qui permet de contrôler les autres fonctions des boutons. Tous les boutons s'allument pour indiquer le mode veille. Appuyez à nouveau sur le bouton d'alimentation pour éteindre la hotte (ventilateur et lumières). Le mode veille reste actif pendant 30 secondes.

D - Bouton de basse vitesse: En mode veille : Appuyez une fois pour une vitesse lente.

E - Bouton de vitesse moyenne: En mode veille : Appuyez une fois pour obtenir une vitesse moyenne.

F - Bouton de haute vitesse: En mode veille : Appuyez une fois sur le bouton de haute vitesse.

RAPPEL DE NETTOYAGE DES FILTRES A MAILLES (toujours activé): après 60 heures d'utilisation du ventilateur, le bouton A clignote lorsque la hotte est en marche, indiquant qu'il est temps de nettoyer les filtres à mailles. Pour réinitialiser la fonction : avec la hotte en marche, appuyez sur le bouton B pendant 4 à 5 secondes, le bouton A cesse de clignoter et le minuteur de 60 heures est réinitialisé.

RAPPEL DE REMPLACEMENT DU FILTRE A CHARBON (désactivé par défaut, doit être activé par l'utilisateur s'il s'agit d'une hotte à recirculation): Pour activer la fonction de remplacement du filtre à charbon, maintenez les boutons D et F enfoncés simultanément pendant quatre secondes. Le bouton A clignote rapidement 3 fois pour indiquer que la fonction de remplacement du filtre à charbon est activée. Après 200 heures d'utilisation du ventilateur, le bouton B clignote lorsque la hotte est en marche, indiquant qu'il est temps de remplacer les filtres à charbon.

Pour réinitialiser la fonction de rappel de remplacement du filtre à charbon : Maintenez le bouton B enfoncé pendant 4 à 5 secondes jusqu'à ce qu'il cesse de clignoter, et le minuteur de 200 heures se réinitialisera.

Commandez le kit de remplacement du filtre à charbon numéro Z0F-C010 auprès de votre revendeur local, www.zephyronline.com, ou du service clientèle de Zephyr.

Pour désactiver la fonction de remplacement du filtre à charbon, répétez la procédure d'activation, le bouton A s'allumera pendant 3 secondes puis s'éteindra, indiquant que la fonction de remplacement du filtre à charbon est désactivée.

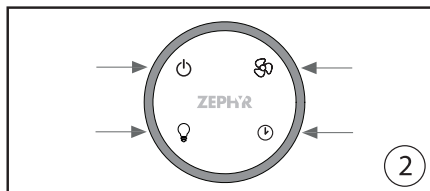
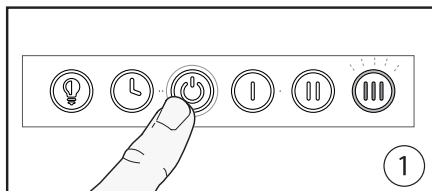
FONCTION AIR PUR (désactivée par défaut, doit être activée par l'utilisateur). Pour activer la fonction Air pur, lorsque la hotte est éteinte, appuyez sur le bouton E et maintenez-le enfoncé pendant 4 à 5 secondes. Le bouton E se met à clignoter, le ventilateur tourne à basse vitesse pendant 10 minutes. Au bout de 10 minutes, le ventilateur s'éteint et le minuteur de 4 heures se met en marche. Le voyant du bouton E continue de clignoter lorsque la fonction Air pur est activée, même si le ventilateur n'est pas en marche. Lorsque la fonction Air pur est activée, toutes les 4 heures d'utilisation sans ventilateur, le ventilateur se met automatiquement en marche à basse vitesse pendant 10 minutes. Au bout de 10 minutes, le ventilateur s'éteint et le minuteur de 4 heures se réinitialise.

Télécommande en option

SYNCHRONISATION:

Pour synchroniser la télécommande avec la hotte de la cuisine, pour la première fois, procéder en suivant les indications suivantes:

1. En tenant arrêtée la hotte de la cuisine, appuyer et maintenir appuyée la touche "Power" sur la hotte pendant 4 secondes (Fig.1) jusqu'à ce que l'indicateur "III" sur la hotte s'allume.
2. Appuyez sur n'importe quel bouton de la télécommande dans les 4 secondes pour confirmer le lien (Fig.2). En cas de succès, l'indicateur "Delay Off" clignotera 3 fois. La hotte est maintenant synchronisée avec la télécommande. Si vous deviez rencontrer un problème répéter la procédure.



Avertissement FCC: Pour assurer une conformité continue, des changements ou modifications non expressément approuvés par la partie responsable de la conformité pourraient annuler l'autorité de l'utilisateur à utiliser cet équipement. (Exemple - Utiliser seulement des câbles d'interface blindés lors de la connexion à l'ordinateur ou un périphérique. Cet appareil est conforme à la partie 15 des règles de la FCC. L'opération est soumise aux deux conditions suivantes. (1) Ce dispositif ne peut causer des interférences nuisibles, et (2) Ce dispositif doit accepter toute interférence reçue, y compris les interférences qui peuvent provoquer un fonctionnement indésirable.

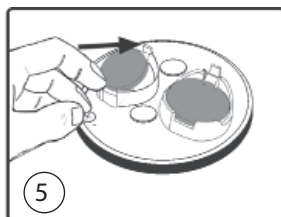
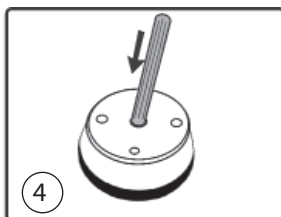
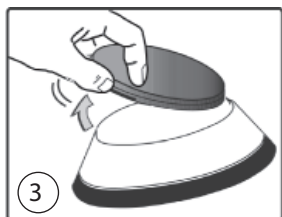
INFORMATIONS DE CARACTERE GENERAL:

- Retirer la pellicule protectrice de la surface à distance avant de l'utiliser.
- La télécommande est caractérisée par une portée d'environ 10-15' (3-4,5 m)
- La télécommande est dotée d'une base magnétique et peut être apposée sur des surfaces métalliques pour un rangement pratique.
- La partie supérieure de la télécommande est réalisée en matière plastique anti-rayures. Apporter le plus grand soin en manipulant et en nettoyant la télécommande; nous conseillons d'utiliser un linge en microfibras pour son nettoyage.
- La télécommande passe en mode veille après 20 secondes d'inactivité pour économiser la batterie. Appuyez sur un bouton pendant une seconde pour réveiller la télécommande.

REPLACEMENT DES PILES:

Les piles ont un cycle de vie d'environ 8 mois, selon l'usage qu'on en fait.

1. Enlever le couvercle en caoutchouc de la partie inférieure de la télécommande (Fig.3).
2. Utiliser un objet tel qu'un tournevis ou un stylo, placer délicatement dans l'ouverture de centre dans le bas de la télécommande et pousser vers l'intérieur pour déloger l'écran tactile haut du corps à distance (Fig. 4).
3. Exercer une pression sur le ressort métallique situé dans le compartiment des piles pour les extraire. Remplacer les deux piles avec le type 3V CR2450 (Fig.5). Remonter en répétant en sens inverse la même procédure.



Entretien

- Il est conseillé d'allumer l'appareil avant de commencer à cuisiner et de le laisser fonctionner pendant 5 minutes après la fin de la cuisson afin d'éliminer complètement les vapeurs et les odeurs de cuisine. Le bon fonctionnement de la hotte est déterminé par la régularité des opérations de maintenance.
- Les filtres anti-graisses capturent les particules de graisses en suspension dans l'air. Ils se bouchent donc proportionnellement à l'utilisation que l'on fait de l'appareil. Afin de prévenir tout risque d'incendie, il est conseillé de nettoyer le filtre au maximum tous les deux mois, en respectant les instructions suivantes :
 - Retirer les filtres de la hotte et les mettre à tremper dans une solution composée d'eau et de détergent liquide.
 - Rincer soigneusement à l'eau tiède et laisser sécher.
 - Les filtres peuvent être également lavés au lave-vaisselle.Les panneaux en aluminium peuvent changer de couleur après un certain nombre de lavages. Cela ne peut cependant représenter un motif de réclamation de la part du client ou de demande de remplacement des panneaux.
- Nettoyer le ventilateur et les autres surfaces de la hotte avec un chiffon imbibé d'alcool dénaturé ou de détergent liquide non abrasif.

Schéma de câblage

SCHÉMA DU CIRCUIT DE MOTEUR INTERIEUR

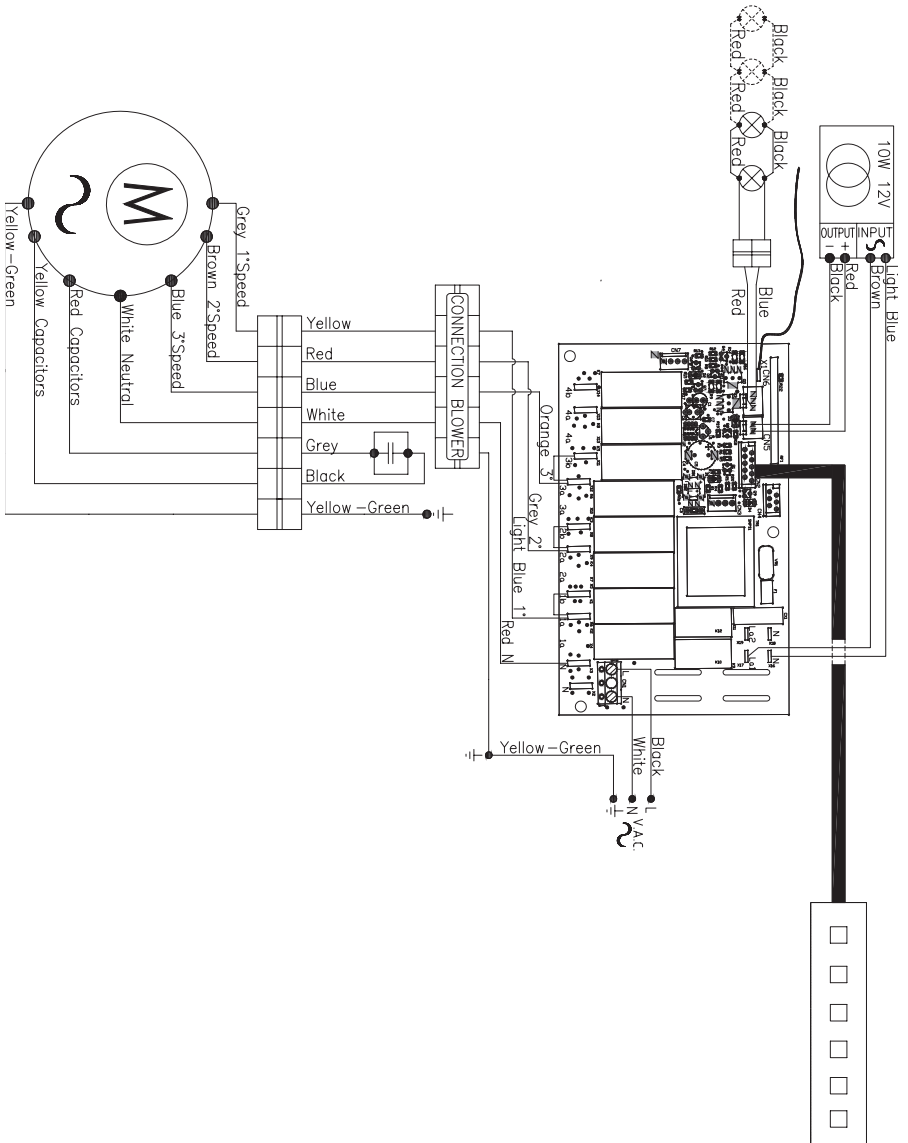
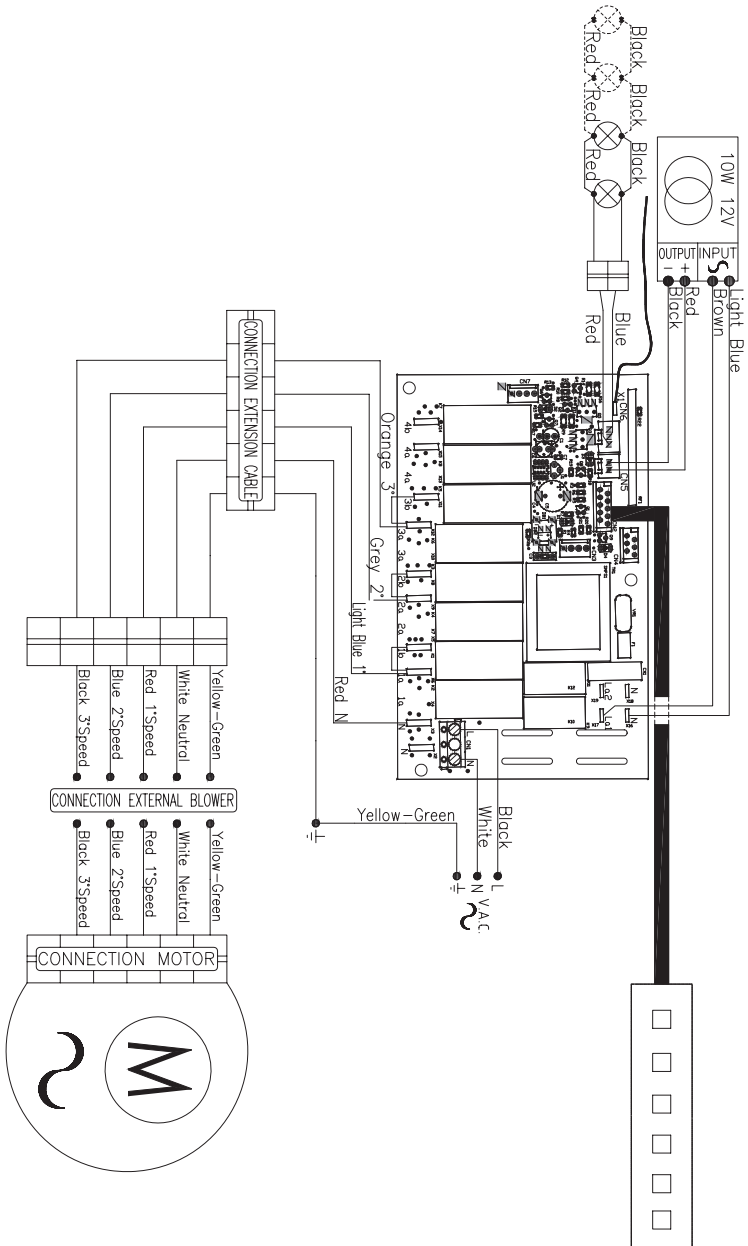


Schéma de câblage

SCHÉMA DU CIRCUIT DE MOTEUR EXTERIEUR



Liste De Pièces Détachées Et Accessoires

DESCRIPTION	HOTTE	PARTIE#
PIÈCES DÉTACHÉES		
Lampe LED 1.3W (chacun)	DLA, DVS	Z0B0051
ACCESSOIRES EN OPTION		
Kit Filtrant	DLA, DVS	ZRC-00VS
Filtres à charbon	DLA, DVS	Z0F-C010
Extension cheminée	DLA, DVS	Z1C-00VS
Télécommande	DLA, DVS	14000010
Moteur Interieur, 290 CFM	DLA, DVS	CBI-290A
Moteur Interieur, 600 CFM	DLA, DVS	CBI-600A
Moteur Exterieur, 1000 CFM	DLA, DVS	CBE-1000
Moteur In-Line, 1000 CFM	DLA, DVS	PBN-1000A

Pour commander les pièces détachées, merci de visiter le site <http://store.zephyronline.com> ou de appeler au numero suivant: 1.888.880.8368

Références UL	
Lampe LED 1.3W (chacun)	SPK8148
Kit Filtrant	KIT0085
Filtres à charbon	ACK00061
Extension cheminée	KIT0086

ZEPHYR Garantie limitée

POUR OBTENIR UN SERVICE SOUS GARANTIE OU POUR TOUTES QUESTIONS LIÉES AU SERVICE
Les clients des États-Unis doivent appeler le: 1-888-880-8368 ou nous contacter à: zephyronline.com/contact
Clients du Canada, veuillez appeler: 1-800-361-0799 ou par courriel: service@distinctive-online.com

Zephyr Ventilation, LLC (désigné aux présentes sous le nom de « nous ») garantit au premier acheteur (désigné aux présentes sous le nom de « vous » ou « votre ») de produits Zephyr (les « Produits ») que lesdits produits sont exempts de défauts de fabrication ou de main-d'œuvre selon les conditions suivantes :

Garantie de deux ans sur les pièces: Garantie de deux ans à partir de la date d'achat originale du Produit. Nous fournissons sans frais les Produits ou les pièces (y compris les ampoules LED, le cas échéant) de remplacement qui comportaient des défauts de fabrication. Nous pourrions choisir, à notre seule discrétion, de réparer ou de remplacer des pièces avant de prendre la décision de remplacer le Produit.

Garantie limitée d'un an sur la main-d'œuvre: Garantie d'un an à partir de la date d'achat originale du Produit. Nous couvrirons sans frais les frais de main-d'œuvre afférents à la réparation du Produit ou des pièces de remplacement qui comportaient des défauts de fabrication. Un an après la date d'achat originale, vous serez responsable de tous les frais de main-d'œuvre associés à la présente garantie.

Exclusions de la garantie: Cette garantie ne couvre que la réparation ou le remplacement, à notre gré, de pièces ou de Produits défectueux et ne couvre aucun autre coût afférent aux Produits, dont, sans s'y limiter, les frais liés : (a) à l'entretien normal des Produits et au remplacement des pièces consommables, comme les fluorescents, incandescence ou halogène ampoules, les filtres métalliques, les filtres à charbon et les fusibles; (b) à tout Produit ou pièce ayant été endommagé durant le transport ou étant le résultat d'un mauvais usage, d'une négligence, d'un accident, d'une installation incorrecte ou ne respectant pas les notices d'installation recommandées, d'un entretien ou d'une réparation inapproprié (dont ne nous sommes pas responsables); (c) à une utilisation commerciale ou ne correspondant pas à l'utilisation pour laquelle les Produits sont conçus; (d) à l'usure naturelle du fini, à l'usure due à un entretien inadéquat, à l'utilisation de produits nettoyants corrosifs ou abrasifs, de tampons nettoyeurs et de produits de nettoyage pour le four; (e) aux éclats, entailles ou fissures résultant d'un abus ou d'une mauvaise utilisation du Produit; (f) aux déplacements d'un technicien de service à votre domicile pour vous montrer comment utiliser les Produits; (g) aux dommages causés par un accident, un incendie, une inondation, un cas fortuit; ou (h) Les installations personnalisées ou modifications qui ont un impact maintenabilité du Produit. Si vous vous trouvez à l'extérieur du territoire que nous desservons, des frais supplémentaires pourraient s'appliquer pour la livraison des produits à nos points de service désignés pour une réparation sous garantie ou vous pourriez avoir à déboursier les frais de déplacement du technicien à votre domicile pour que le Produit soit réparé, enlevé ou réinstallé. Un an après la date d'achat originale du Produit, vous êtes également responsable de tous les frais de main-d'œuvre associés à la présente garantie.

Restrictions de la garantie. NOTRE OBLIGATION DE RÉPARER OU DE REMPLACER, À NOTRE GRÉ, LE PRODUIT CONSTITUE VOTRE SEUL ET UNIQUE RECOURS SOUS LA PRÉSENTE GARANTIE. NOUS NE NOUS PORTONS PAS RESPONSABLES POUR TOUT DOMMAGE INDIRECT, ACCESSOIRE OU PARTICULIER RÉSULTANT OU AYANT UN LIEN AVEC L'UTILISATION OU LE RENDEMENT DES PRODUITS. LES GARANTIES EXPRESSES DE LA SECTION PRÉCÉDENTE SONT EXCLUSIVES ET TIENNENT LIEU DE TOUTE AUTRE GARANTIE EXPRESSE. PAR LES PRÉSENTES, NOUS REJETONS ET EXCLUONS TOUTE AUTRE GARANTIE EXPRESSE POUR LES PRODUITS ET TOUTES LES GARANTIES TACITES PRÉVUES PAR LA LOI, DONT CELLES RELATIVES À LA QUALITÉ MARCHANDE OU À L'ADÉQUATION DU PRODUIT POUR UNE UTILISATION PARTICULIÈRE. Certains États ou provinces n'autorisent pas les restrictions sur la durée d'une garantie implicite ou l'exclusion ou la restriction des dommages indirects ou accessoires; par conséquent, les exclusions et restrictions mentionnées ci-dessus pourraient ne pas s'appliquer à votre cas. Dans la mesure où une loi applicable interdit l'exclusion de garanties implicites, la durée de toute garantie implicite applicable se limite à la période de deux ans décrite ci-dessus. L'unique objectif de toute description orale ou écrite est de présenter les Produits et celle-ci ne devrait pas être interprétée comme une garantie expresse. Avant d'utiliser ou de permettre l'utilisation des Produits, vous devez déterminer si les Produits conviennent aux utilisations prévues et vous devrez assumer tout risque et toute responsabilité relatifs à ces utilisations. Nous nous réservons le droit d'utiliser des pièces reconstruites ou remises à neuf pour remplacer l'une des fonctionnalités dans le cadre de la présente garantie ou de l'une des parties de la présente garantie. L'acheteur original ne peut transférer la présente garantie et celle-ci n'est valide qu'aux États-Unis et au Canada.

Pour obtenir du service sous la garantie: Pour avoir droit à du service sous garantie, vous devez : (a) nous avertir en utilisant l'adresse ou le numéro de téléphone inscrit ci-dessous dans les soixante jours suivant la détection du défaut; (b) donner le numéro du modèle, le numéro d'identification de la pièce ainsi que le numéro de série; et (c) décrire la nature de tout défaut de la pièce ou du Produit. Au moment de faire la demande de service sous garantie, vous devrez présenter votre preuve d'achat et la preuve de la date d'achat originale. Si nous déterminons que les exclusions de la garantie énumérées ci-dessus s'appliquent ou si vous vous trouvez dans l'incapacité de nous fournir la documentation nécessaire pour obtenir du service, vous serez responsable de tous les frais d'édition, de déplacement, de main-d'œuvre ou de tout autre coût afférent au service.

Veuillez consulter notre site Web au www.zephyronline.com pour savoir si des révisions ont été apportées à la garantie.

Zephyr, 2277 Harbor Bay Parkway, Alameda, CA 94502

JAN21.0201

PRODUCT REGISTRATION

Congratulations on your Zephyr range hood purchase! Please take a moment to register your new range hood at www.zephyronline.com/registration

IT'S IMPORTANT

Prompt registration helps in more ways than one.

- Ensures warranty coverage should you need service.
- Ownership verification for insurance purposes.
- Notification of product changes or recalls.



Zephyr Ventilation | 2277 Harbor Bay Pkwy. | Alameda, CA 94502 | 1.888.880.8368