



DVG53BB8900

SAMSUNG

Bespoke 7.6 cu. ft. Ultra Capacity Gas Dryer with AI Optimal Dry and Super Speed Dry



Available Colors

-  **Silver Steel**
DVG53BB8900T
-  **Brushed Navy**
DVG53BB8900D
-  **Forest Green**
DVG53BB8900G

Features

- Bespoke Design
- AI Optimal Dry
- Super Speed Dry
- AI Smart Dial
- MultiControl™
- Steam Sanitize+
- ENERGY STAR® Certified
- Shallow Closet-Depth Fit¹
- Flexible Installation
- Wi-Fi Connectivity²
- Sensor Dry
- 7.6 cu. ft. Ultra Capacity
- Vent Sensor
- Lint Filter Indicator
- Stainless Steel Drum
- Premium Tempered Glass Door
- Internal Drum Light
- Drying Rack
- Reversible Dryer Door
- ADA Compliant³
- 20 Total Drying Cycles
- 14 Options
- 5 Temperature Settings
- 3-Way Venting (Back, Bottom, Left)

Specifications

20 Preset Drying Cycles:

Steam Refresh, Wrinkle Away, Steam Sanitize+, AI Optimal Dry, Super Speed, Eco Normal, Delicates, Normal, Heavy Duty, Towels, Permanent Press, Activewear, Bedding, Wool, Shirts, Denim, Time Dry, Air Fluff, Small Load, Rack Dry

14 Options:

Damp Alert, Wrinkle Prevent, AntiStatic, My Cycles, Smart Monitor, Eco Dry, Drum Light, Child Lock, Alarm, AI Pattern, Wi-Fi, Language, Vent Blockage Test, Factory Reset

5 Temperature Settings:

High, Medium, Medium Low, Low, Extra Low

5 Dry Levels:

Very Dry, More Dry, Normal Dry, Less Dry, Damp Dry

Warranty

One (1) Year Parts and Labor

Product Dimensions & Weight (WxHxD)

Dimensions: 27" x 38³/₄" x 31⁷/₁₆"
Weight: 121.3 lbs

Shipping Dimensions & Weight (WxHxD)

Dimensions: 29³/₈" x 42¹⁵/₁₆" x 34¹¹/₁₆"
Weight: 130.1 lbs

| Gas Dryer | Model # | UPC Code |
|--------------|--------------|--------------|
| Silver Steel | DVG53BB8900T | 887276657325 |
| Brushed Navy | DVG53BB8900D | 887276657318 |
| Forest Green | DVG53BB8900G | 887276711669 |

| Electric Dryer | Model # | UPC Code |
|----------------|--------------|--------------|
| Silver Steel | DVE53BB8900T | 887276657264 |
| Brushed Navy | DVE53BB8900D | 887276657257 |
| Forest Green | DVE53BB8900G | 887276711645 |

| Matching Washer | Model # | UPC Code |
|-----------------|--------------|--------------|
| Silver Steel | WF53BG8900AT | 887276652269 |
| Brushed Navy | WF53BG8900AD | 887276652252 |
| Forest Green | WF53BB8900AG | 887276711881 |

| Optional Accessories | Model # | UPC Code |
|---|----------|--------------|
| Silver Steel Pedestal | WE502NT | 887276665283 |
| Brushed Navy Pedestal | WE502ND | 887276665290 |
| Forest Green Pedestal | WE502NG | 887276711676 |
| Silver Steel Bespoke Stacking and MultiControl™ Combo Kit | SKK-9MCT | 887276667379 |
| Brushed Navy Bespoke Stacking and MultiControl™ Combo Kit | SKK-9MCD | 887276667362 |
| Forest Green Bespoke Stacking and MultiControl™ Combo Kit | SKK-9MCG | 887276712819 |
| Vent Kit | DV-2A | 887276146416 |
| Gas to Propane Converter Kit | LPKIT-4 | 887276352787 |

Convenience

- Child Lock
- Filter Check Indicator

Electrical Requirements

120 V / 60 Hz
15 Amps



¹Designed to fit a 38" installation depth.

²Requires wireless network, Samsung account and SmartThings App. The Samsung SmartThings App supports Android OS 4.0 (ICS) or later which is optimized for Samsung smartphones (Galaxy S and Galaxy Note series). This app also supports iOS 7 or later for iPhone models. SmartThings App available in App Store and Play Store. Only monitoring enabled on Gas Dryers for safety reasons.

³ADA Compliant when using 27" wide riser. (Riser model codes: WE272NV, WE272NW, WE272NC)

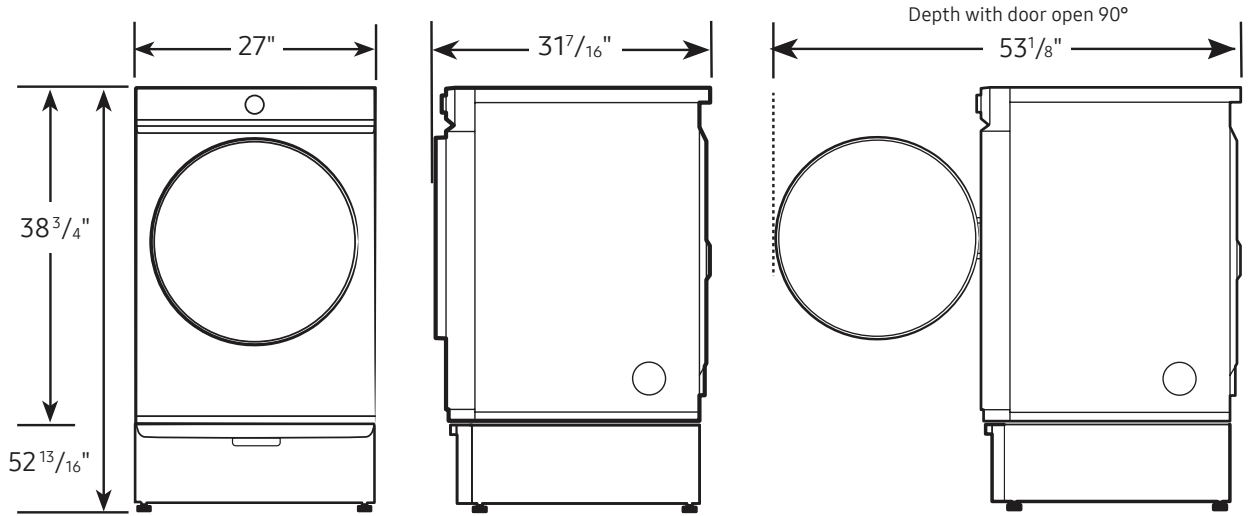
DVG53BB8900

SAMSUNG

Bespoke 7.6 cu. ft. Ultra Capacity Gas Dryer with AI Optimal Dry and Super Speed Dry

Dimensions

Required dimensions for installation with pedestal:

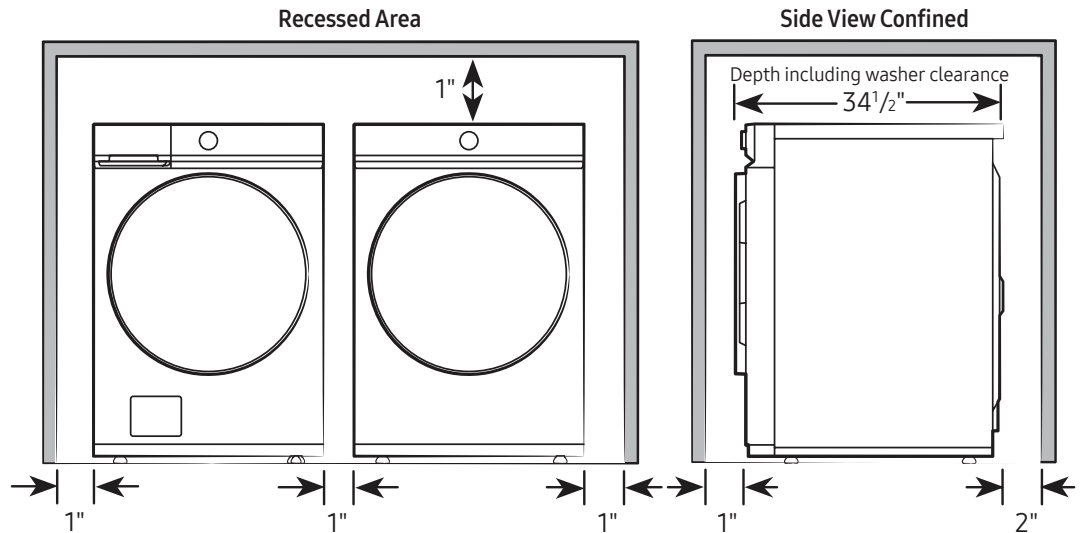


Installation Specifications – Side-by-Side

If the washer and dryer are installed together or the dryer alone, the closet front must have two unobstructed air openings for a combined minimum total area of 72-inch². Your washer alone does not require a specific air opening.

Alcove or closet installation

Minimum clearance for closet and alcove installations:



Connection Dimensions

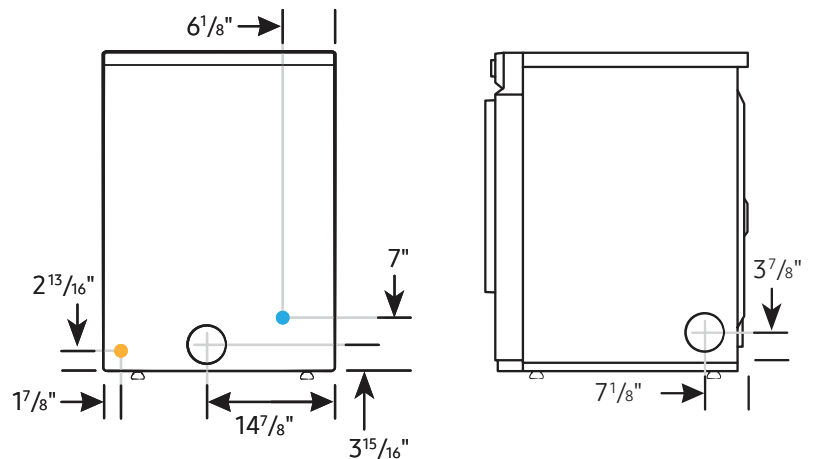
Back and side view of dryer

LEGEND:

- Cold Water Connection
- Gas Connection

Actual color may vary. Design, specifications, and color availability are subject to change without notice. Non-metric weights and measurements are approximate.

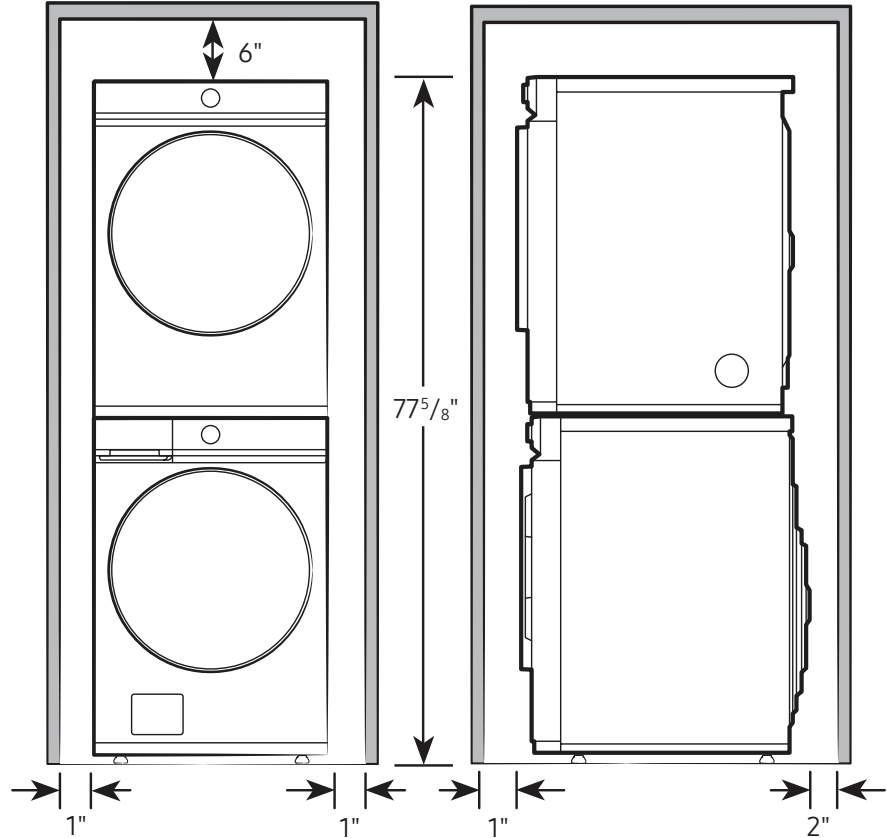
©2023 Samsung Electronics America, Inc., 85 Challenger Road, Ridgefield Park, NJ 07660. Tel: 800-SAMSUNG.samsung.com. Samsung is a registered trademark of Samsung Electronics Co., Ltd.



Bespoke 7.6 cu. ft. Ultra Capacity Gas Dryer
with AI Optimal Dry and Super Speed Dry

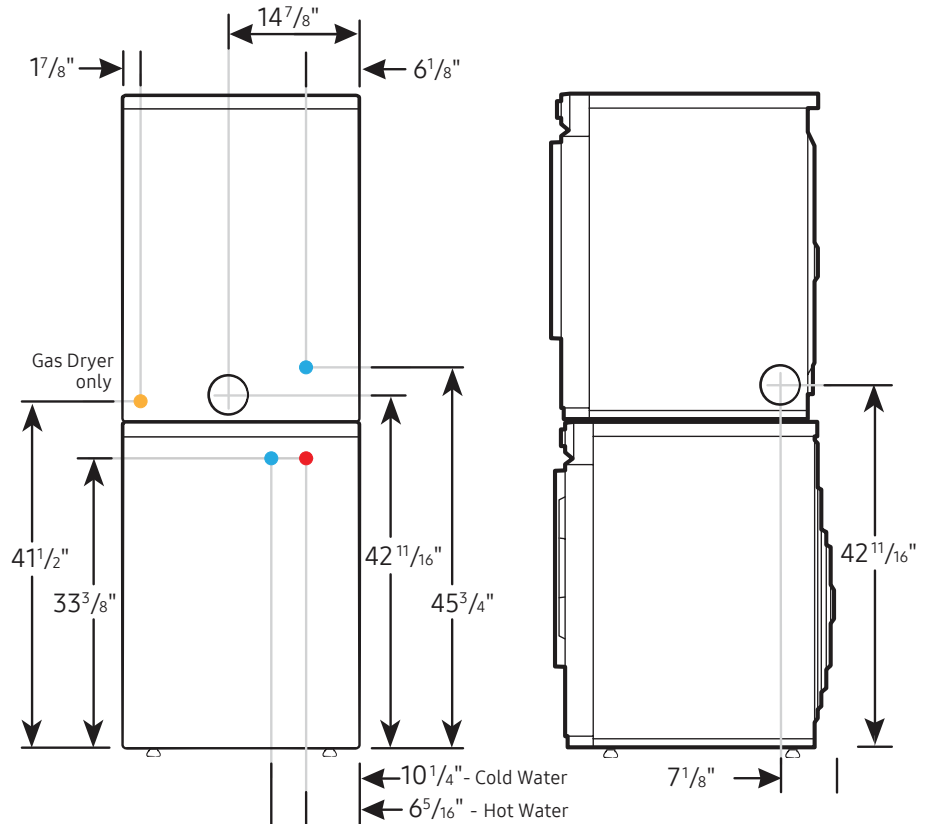
Installation Specifications – Stacked Pair

Clearances indicated are for stacked pairs. The closet front must have two unobstructed air openings for a combined minimum total area of 72-inch².



Connection Dimensions

Back and side views of stacked pair



- LEGEND:**
- Cold Water Connection
 - Hot Water Connection
 - Gas Connection

Actual color may vary. Design, specifications, and color availability are subject to change without notice. Non-metric weights and measurements are approximate.