

# DVG45T6000W

SAMSUNG

## Samsung 7.5 cu. ft. Front Load Gas Dryer with Sensor Dry



### Signature Features

#### Sensor Dry

- Helps prevent over drying for optimal fabric care.

#### 7.5 cu. ft. Large Capacity

- Fewer loads, less time in the laundry room, and more time doing the things you love.

#### 10 Preset Drying Cycles

- More cycles to cover almost every drying need for your active family.

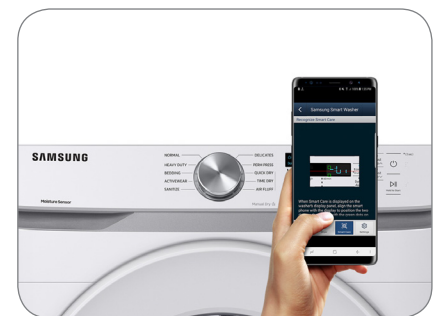
### Available Color



White



Sensor Dry



Smart Care

### Features

- Sensor Dry
- 7.5 cu. ft. Large Capacity
- Smart Care<sup>1</sup>
- Interior Drum Light
- Reversible Door
- 10 Preset Drying Cycles
- 9 Additional Drying Options
- 5 Temperature Levels
- 3-Way Venting
- LED Display: Ice Blue

### Convenience

- Child Lock
- Lint Filter Indicator



ADA Compliant<sup>2</sup>

<sup>1</sup>Requires Samsung Smart Washer/Dryer App. The Samsung Smart Washer/Dryer app supports Android OS 2.3.6 or later and iOS 3 or later for iPhone models. Smart Washer/Dryer app available in App Store and Play Store.

<sup>2</sup>ADA Compliant when using a Samsung 27" wide riser (WE272NW, WE272NV, WE272NC).

# DVG45T6000W

# SAMSUNG

## Samsung 7.5 cu. ft. Front Load Gas Dryer with Sensor Dry

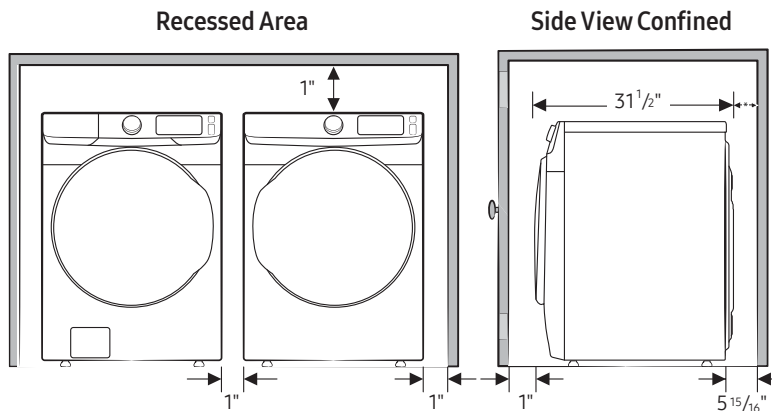
### Installation Specifications

If the washer and dryer are installed together or the dryer alone, the closet front must have two unobstructed air openings for a combined minimum total area of 72-inch<sup>2</sup> (see stacked build below). Your washer alone does not require a specific air opening.

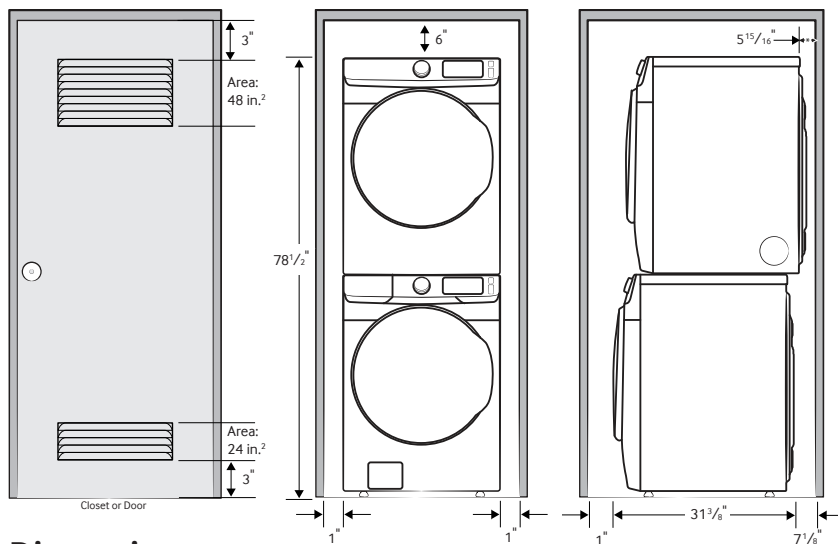
\*Required spacing (External exhaust elbow may require additional space.)

#### 1. Alcove or closet installation

Minimum Clearance for Closet and Alcove Installations:

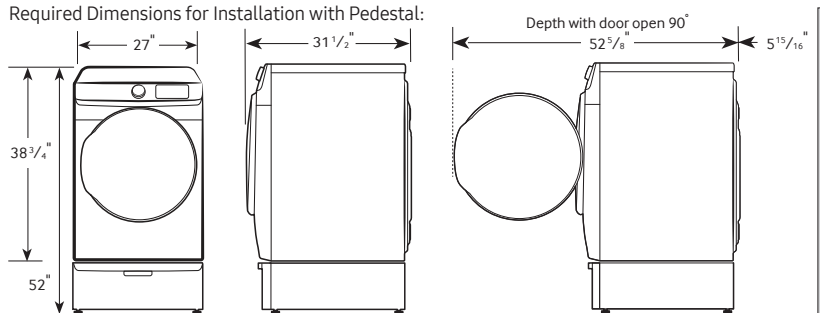


#### 2. With stacked washer and dryer



### Dimensions

Required Dimensions for Installation with Pedestal:



### 3-Way Venting

#### 10 Preset Drying Cycles:

Normal, Heavy Duty, Permanent Press, Activewear, Bedding, Delicates, Sanitize, Time Dry, Air Fluff, Quick Dry

#### 9 Additional Drying Options:

Mixed Load Bell, Wrinkle Prevent, Adjust Time (Up), Adjust Time (Down), Eco Dry, Child Lock, Smart Care, Sound, Drum Light

#### 5 Temperature Levels:

High, Medium High, Medium, Medium Low, Low

#### 5 Dry Levels:

Very Dry, More Dry, Normal Dry, Less Dry, Damp Dry

#### Warranty

One (1) Year Parts and Labor

#### Product Dimensions & Weight (WxHxD)

Dimensions: 27" x 38 3/4" x 31 1/2"

Weight: 123 lbs

#### Shipping Dimensions & Weight (WxHxD)

Dimensions: 29 3/8" x 42 9/16" x 33 1/2"

Weight: 130 lbs

Gas	Model #	UPC Code
White	DVG45T6000W	887276412641
<b>Electric</b>		
White	DVE45T6000W	887276412634
<b>Long Vent Dryer (Gas/Electric)</b>		
White	DVG45T6020W	887276438160
White	DVE45T6020W	887276438153
<b>Matching Washer</b>		
White	WF45T6000AW	887276394794
<b>Pedestal</b>		
White	WE402NW	887276310152
<b>Riser</b>		
White	WE272NW	887276197647
<b>Accessories</b>		
Stacking Kit	SKK-8K	887276344034
Vent Kit	DV-2A	887276146416