

DVG45T3200W

SAMSUNG

Samsung 7.2 cu. ft. Capacity Top Load Gas Dryer



Signature Features

Sensor Dry

- Helps prevent overdrying for optimal fabric care.

8 Preset Drying Cycles

- More cycles to cover almost every drying need for your active family.

Reversible Dryer Door

- Choose the direction your dryer door opens to better suit your laundry room layout.

Available Color



White



Sensor Dry



8 Preset Drying Cycles

Features

- Sensor Dry
- 8 Preset Drying Cycles
- Reversible Dryer Door
- Smart Care*
- 3 Additional Drying Options
- 4 Temperature Levels
- Wrinkle Prevent
- 3-Way Venting
- Powder Coat Interior
- 7.2 cu. ft. Capacity
- LED Display: Red

Convenience

- Child Lock
- Filter Check Indicator

Electrical Requirement:

120V / 60Hz
15 Amps

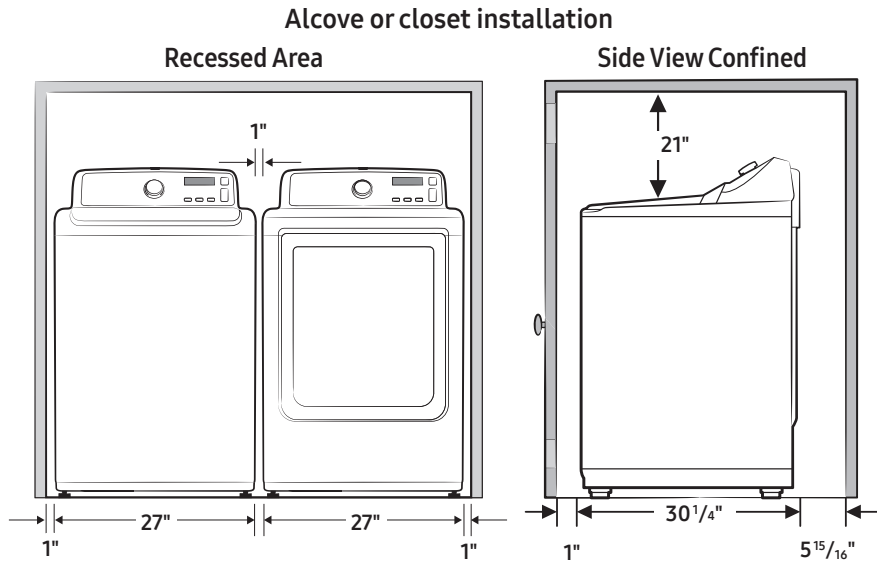
*Requires Samsung Smart Washer/Dryer App. The Samsung Smart Washer/Dryer App supports Android OS 2.3.6 or later and iOS 3 or later for iPhone models. Samsung Smart Washer/Dryer App available in App Store and Play Store.

DVG45T3200W

SAMSUNG

Samsung 7.2 cu. ft. Capacity Top Load Gas Dryer

Installation Specifications



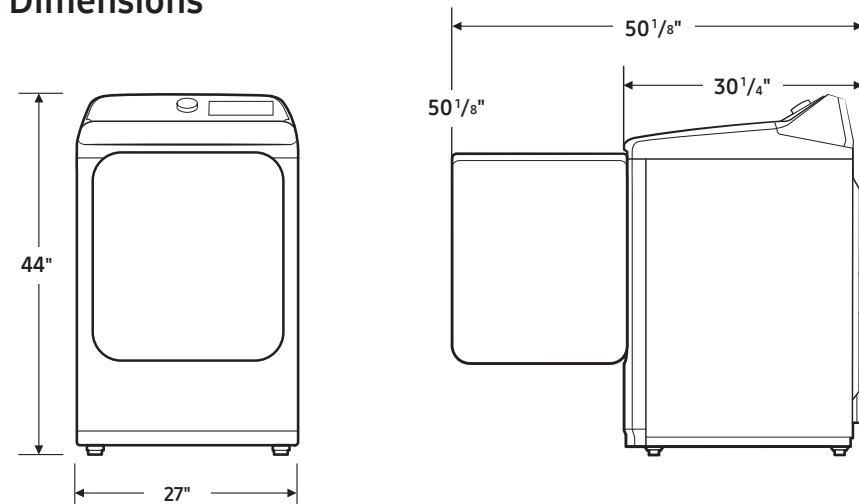
Minimum clearances for closets and alcoves:

- Sides – 1"
- Top – 21"
- Rear – 5¹⁵/₁₆"
- Closet Front – 1"

If both the washer and a dryer are installed in the same location, the front of the alcove or closet must have two unobstructed air openings for a combined minimum total area of 72-inch². This clearance requirement is applicable for washer and dryer pair installation.

For washer's clearance requirement, see the washer's user manual.

Dimensions



3-Way Venting (Back, Bottom, Left)

8 Preset Drying Cycles:

Normal, Heavy Duty, Permanent Press, Delicates, Time Dry, Air Fluff, Quick Dry, Wrinkle Release

3 Additional Drying Options:

Wrinkle Prevent, Child Lock, Smart Care

4 Temperature Levels:

High, Medium, Low, Extra Low

4 Dry Levels:

Very Dry, More Dry, Normal Dry, Damp Dry

Warranty

One (1) Year Parts and Labor

Product Dimensions & Weight (WxHxD)

Dimensions: 27" x 44" x 30¹/₄"

Weight: 110.2 lbs

Shipping Dimensions & Weight (WxHxD)

Dimensions: 29⁹/₁₆" x 46⁷/₈" x 31³/₁₆"

Weight: 119.0 lbs

Gas

White

Model

DVG45T3200W

UPC Code

887276429540

Electric

White

DVE45T3200W

887276429618

Matching Washer

White

WA45T3200AW

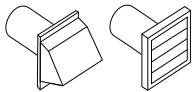
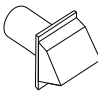
887276428536

Accessories

Vent Kit

DV-2A

887276146416

	Recommended	Use only for short-run installation
Weather hood type	 4"	 2.5"
Number of 90° elbows	Rigid	Rigid
0	80 ft.	74 ft.
1	68 ft.	62 ft.
2	57 ft.	51 ft.
3	47 ft.	41 ft.