

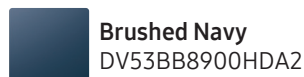
DV53BB8900HDA2

SAMSUNG

Bespoke 7.8 cu. ft. Ultra Capacity Ventless Hybrid Heat Pump Dryer with AI Optimal Dry



Available Color



Features

- Ventless Hybrid Heat Pump¹
- Bespoke Design
- AI Optimal Dry
- AI Smart Dial
- MultiControl™
- Sanitize
- Self Dry
- ENERGY STAR® Certified
- Shallow Closet-Depth Fit²
- Flexible Installation
- Wi-Fi Connectivity³
- Sensor Dry
- Large 7.8 cu. ft. Ultra Capacity
- Lint Filter Indicator
- Stainless Steel Drum
- 360 Air Flow
- 3 Layered Filter System
- Premium Tempered Glass Door
- Internal Drum Light
- Reversible Dryer Door
- ADA Compliant⁴
- 21 Total Drying Cycles
- 13 Options
- 4 Temperature Settings

Convenience

- Child Lock
- Filter Check Indicator

Ratings

 ENERGY STAR® Rated:
281 kWh/yr

Electrical Requirements

240 V / 60 Hz
14 Amps

Specifications

21 Preset Drying Cycles:

AI Optimal Dry, Super Speed, Eco Normal, Normal, Towels, Permanent Press, Activewear, Bedding, Delicates, Wool, Sanitize, Shirts, Denim, Blouses, Iron Dry, Time Dry, Air Fluff, Air Bedding Care, Down Jacket Care, Outdoor Care, Self Dry

13 Options:

Damp Alert, Wrinkle Prevent, My Cycles, Smart Control, Drum Light, Optional Filter, Child Lock, Alarm, AI Pattern, Wi-Fi, Language, Factory Reset, Calibration

4 Temperature Settings:

High, Medium, Low, Extra Low

4 Dry Levels:

More Dry, Normal Dry, Less Dry, Damp Dry

Warranty

One (1) Year Parts and Labor

Product Dimensions & Weight (WxHxD)

Dimensions: 27" x 38³/₄" x 34³/₈"
Weight: 172 lbs

Shipping Dimensions & Weight (WxHxD)

Dimensions: 29³/₈" x 43³/₁₆" x 35¹⁵/₁₆"
Weight: 183 lbs

Heat Pump Dryer	Model #	UPC Code
Brushed Navy	DV53BB8900HDA2	887276716268
Matching Electric Dryer		
Brushed Navy	DVE53BB8900D	887276657257
Matching Gas Dryer		
Brushed Navy	DVG53BB8900D	887276657318
Matching Washer		
Brushed Navy	WF53BG8900AD	887276652252

Optional Accessories	Model #	UPC Code
Brushed Navy Pedestal	WE502ND	887276665276
Brushed Navy Bespoke Heat Pump Stacking & MultiControl™ Combo Kit	SKK-9ALD	887276722054

¹Tested in accordance with Department of Energy automatic termination test procedure, (also known as D2), normal cycle, 8.45 lb load with Ventless Hybrid Heat Pump (DV53BB8900HDA2) vs. Vent (DVE53BB8900*A3). Actual results may vary depending on individual use.

²Designed to fit a 38" installation depth.

³Requires wireless network, Samsung account and Samsung SmartThings App. The Samsung Smart Things App supports Android OS 4.0 (ICS) or later which is optimized for Samsung smartphones (Galaxy S and Galaxy Note series). This app also supports iOS 7 or later for iPhone models. Samsung SmartThings App available in App Store and Play Store.

⁴ADA Compliant when using 27" wide riser (Riser model codes: WE272NV, WE272NC, WE272NP).

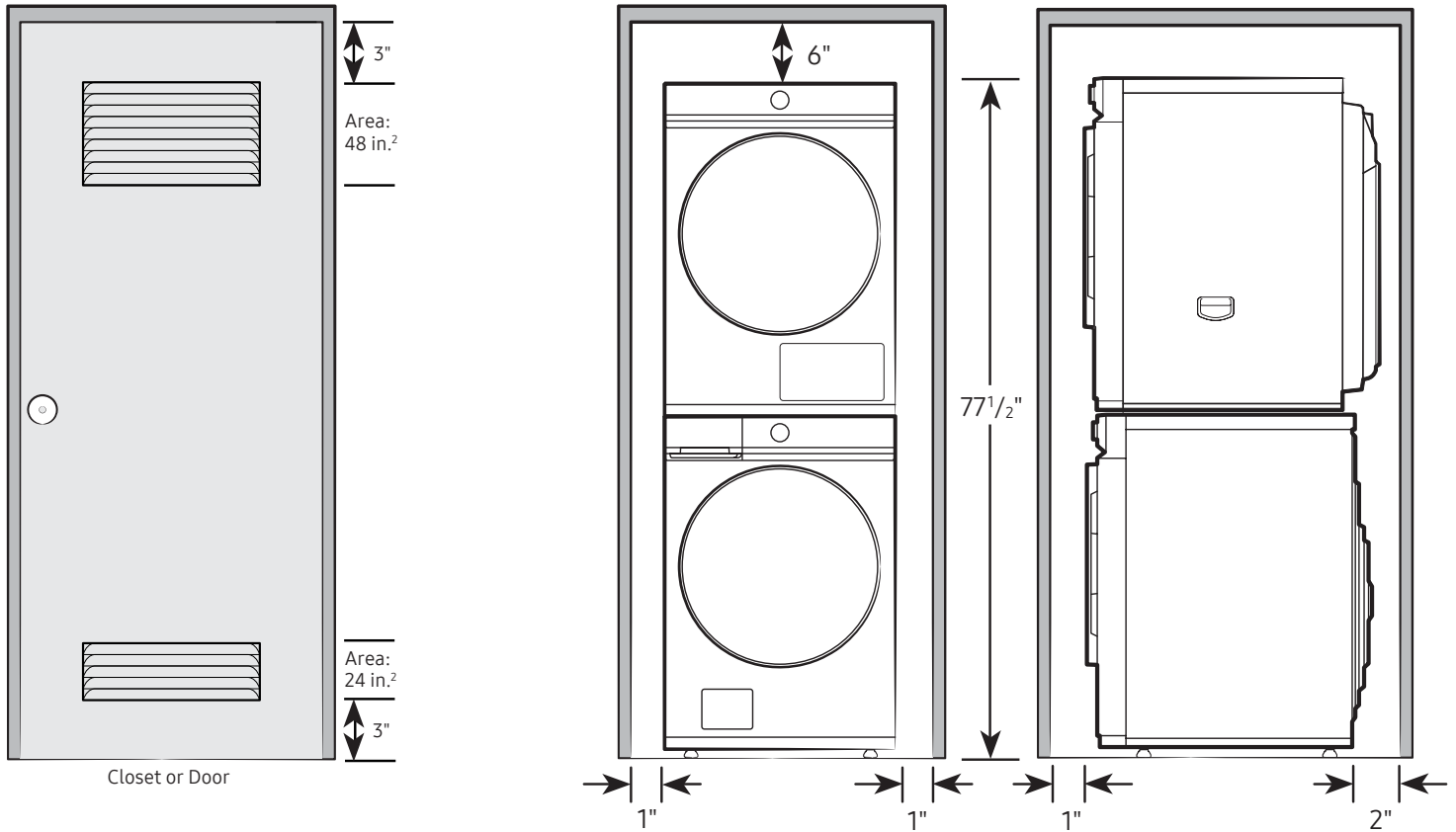
DV53BB8900HDA2



Bespoke 7.8 cu. ft. Ultra Capacity Ventless Hybrid Heat Pump Dryer with AI Optimal Dry

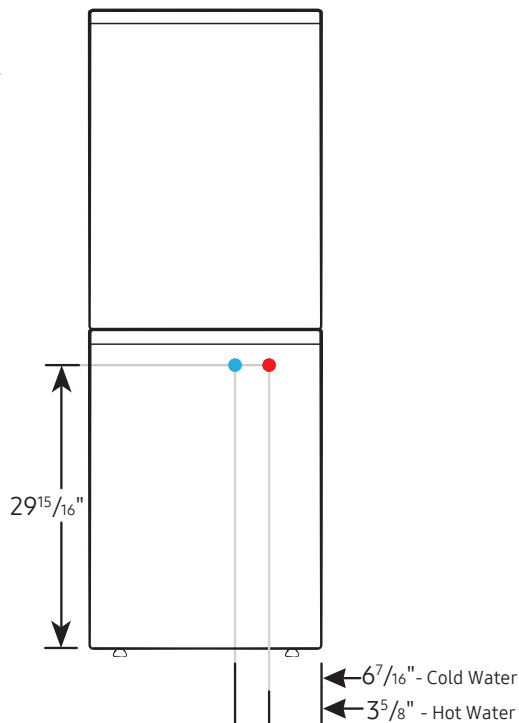
Installation Specifications – Stacked Pair

Clearances indicated are for stacked pairs. The closet front must have two unobstructed air openings for a combined minimum total area of 72-inch².



Connection Dimensions

Back and side views of stacked pair



LEGEND:

- Cold Water Connection
- Hot Water Connection

Actual color may vary. Design, specifications, and color availability are subject to change without notice. Non-metric weights and measurements are approximate.

©2022 Samsung Electronics America, Inc., 85 Challenger Road, Ridgefield Park, NJ 07660. Tel: 800-SAMSUNG.samsung.com. Samsung is a registered trademark of Samsung Electronics Co., Ltd.