

DV25B6900EW

SAMSUNG

4.0 cu. ft. Smart Dial Electric Dryer with Sensor Dry



Available Color



Features

- AI Smart Dial
- Wi-Fi Connectivity¹
- Sensor Dry
- Large 4.0 cu. ft. Capacity
- Lint Filter Indicator
- Stainless Steel Drum
- Internal Drum Light
- Closet-Depth Fit²
- Reversible Dryer Door
- 15 Total Drying Cycles
- 12 Options
- 5 Temperature Settings
- 9 Timed Dry Settings
- 4-Way Venting (Back, Bottom, Left, Right)

Convenience

- Child Lock
- Filter Check Indicator

Ratings

260 kWh/yr

Electrical Requirements

240 V / 60 Hz
30 Amps

Specifications

15 Total Drying Cycles:

Normal, Heavy Duty, Mixed Load, Towels, Perm Press, Activewear, Denim, Delicates, Wool, Sanitize, Shirts, Time Dry, Air Fluff, Quick Dry, Wrinkle Release

12 Options:

Damp Alert, Wrinkle Prevent, My Cycles, Smart Control, Drum Light, Alarm, AI Pattern, Wi-Fi, Language, Child Lock, Vent Blockage Test, Factory Reset

5 Temperature Settings:

High, Medium, Medium Low, Low, Extra Low

5 Dry Levels:

Very Dry, More Dry, Normal Dry, Less Dry, Damp Dry

Warranty

One (1) Year Parts and Labor

Product Dimensions & Weight (WxHxD)

Dimensions: 23⁵/₈" x 33¹/₂" x 25¹³/₁₆"
Weight: 88.4 lbs

Shipping Dimensions & Weight (WxHxD)

Dimensions: 26¹/₄" x 35" x 27¹/₂"
Weight: 93.1 lbs

Electric Dryer	Model #	UPC Code
White	DV25BG6900EW	887276665184

Matching Heat Pump Dryer

White	DV25BG6900HW	887276665207
-------	--------------	--------------

Matching Washer

White	WW25BG6900AW	887276650319
-------	--------------	--------------

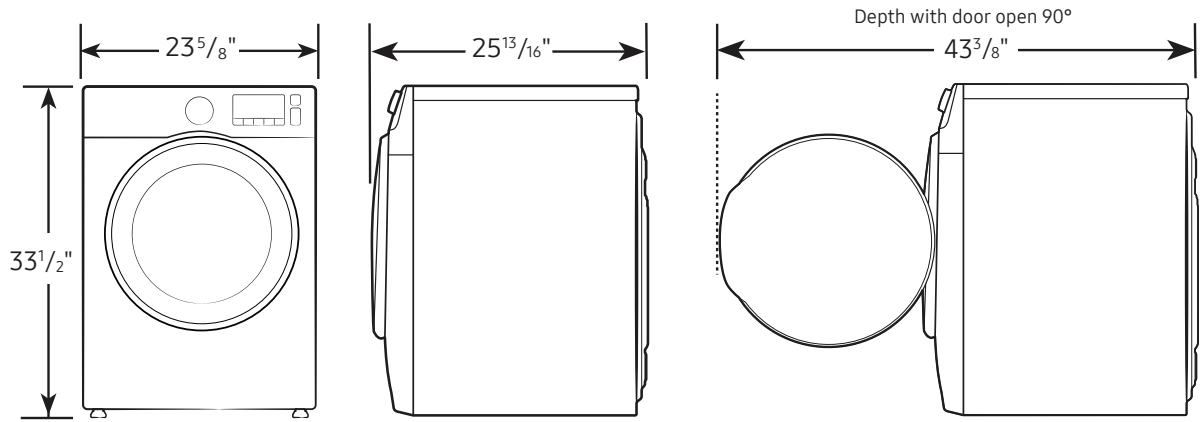
Optional Accessories	Model #	UPC Code
Stacking Kit	SK-DH	887276151052
Vent Kit	DV-2A	887276146416

¹ Requires wireless network, Samsung account and Samsung SmartThings App. The Samsung SmartThings App supports Android OS 4.0 (ICS) or later which is optimized for Samsung smartphones (Galaxy S and Galaxy Note series). This app also supports iOS 7 or later for iPhone models. Samsung SmartThings App available in App Store and Play Store.

² Designed to fit a 30" installation depth.

4.0 cu. ft. Smart Dial Electric Dryer with Sensor Dry

Dimensions

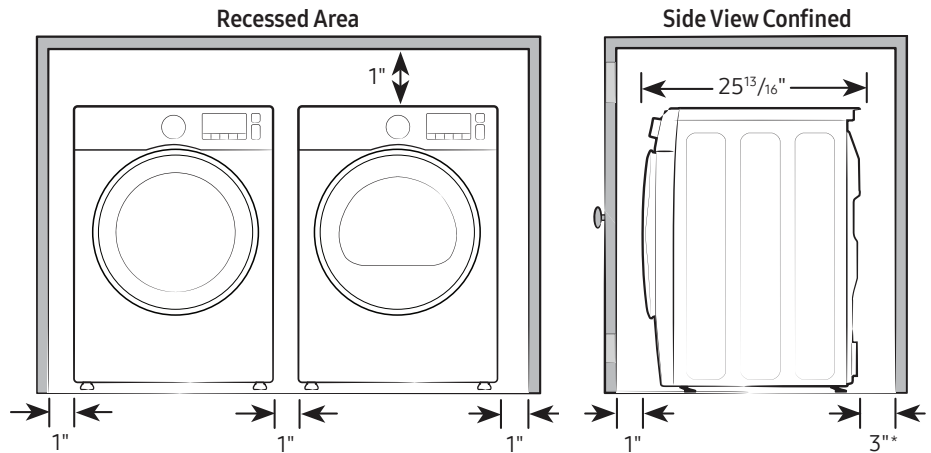


Installation Specifications – Side-by-Side or Stand-Alone

If the washer and dryer are installed together or the dryer alone, the closet front must have two unobstructed air openings for a combined minimum total area of 72-inch². Your washer alone does not require a specific air opening.

Alcove or closet installation

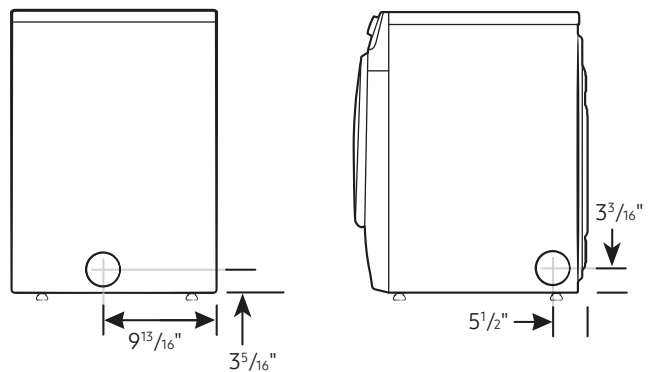
Minimum clearances for closet and alcove installations:



*Minimum space of 3" is required for best dryer performance. In case of insufficient space for duct installation, properly sized vent kit is needed.

Connection Dimensions

Back and side view of dryer

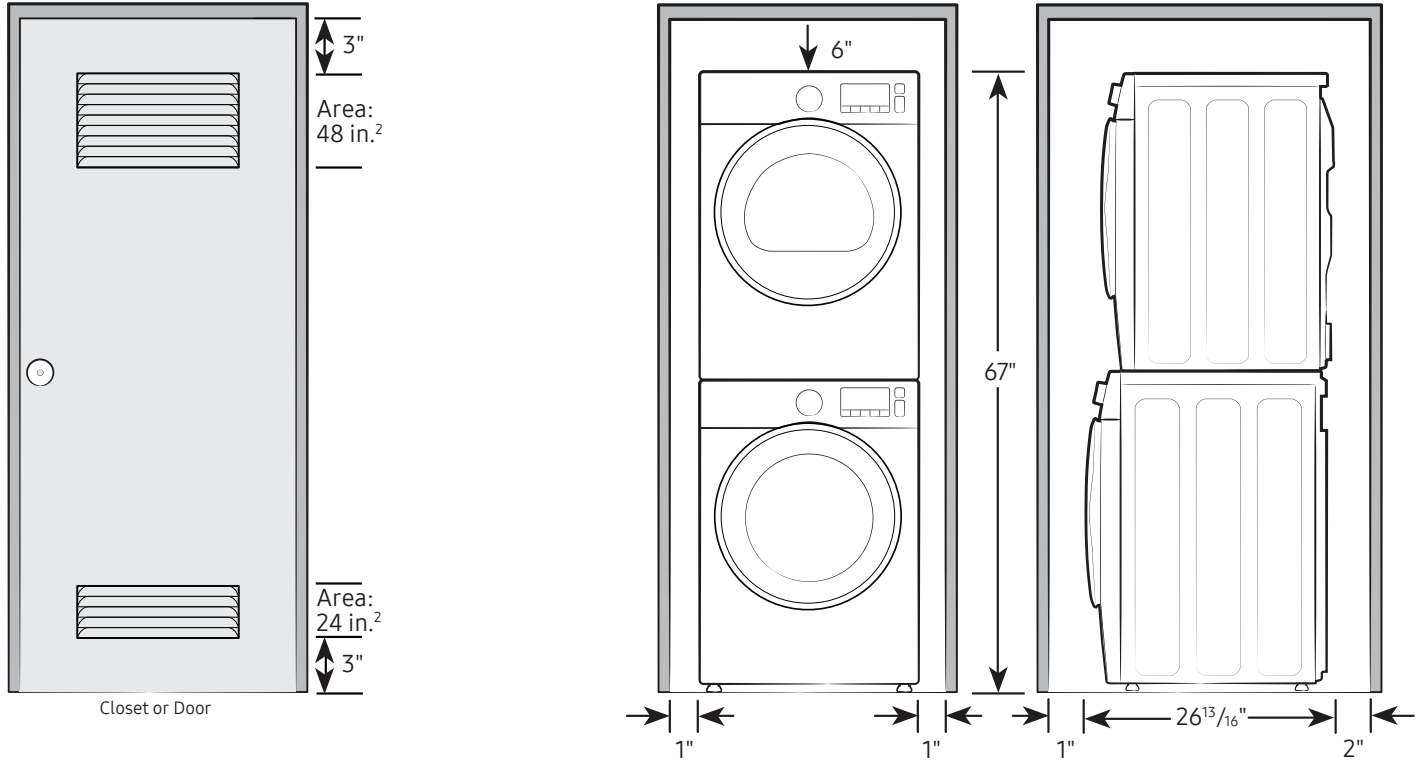


Actual color may vary. Design, specifications, and color availability are subject to change without notice. Non-metric weights and measurements are approximate.

4.0 cu. ft. Smart Dial Electric Dryer with Sensor Dry

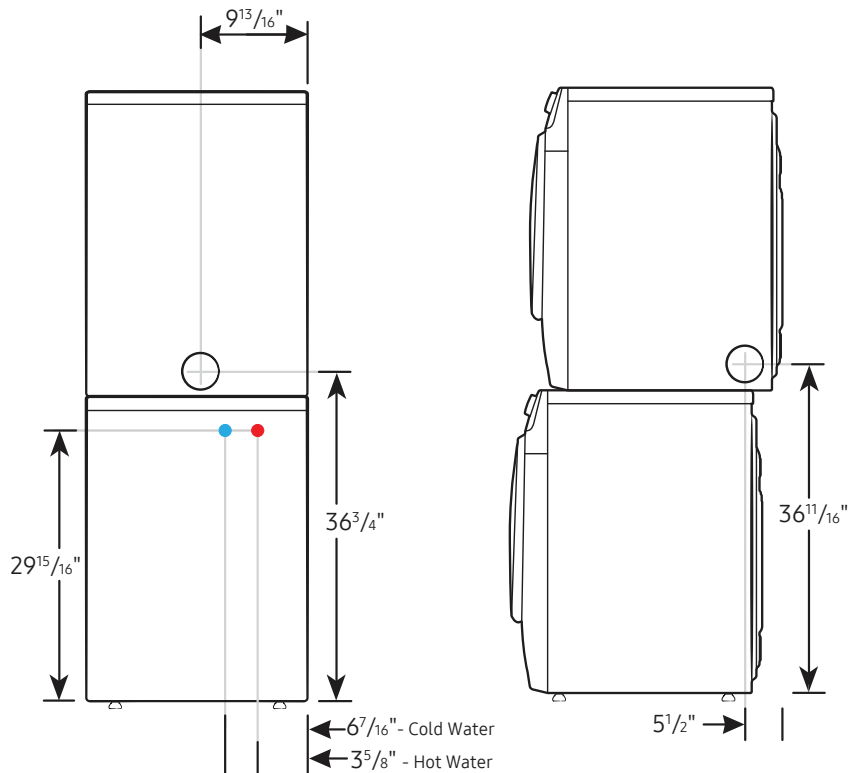
Installation Specifications – Stacked Pair

Clearances indicated are for stacked pairs. The closet front must have two unobstructed air openings for a combined minimum total area of 72-inch².



Connection Dimensions

Back and side views of stacked pair



- LEGEND:**
- Cold Water Connection
 - Hot Water Connection

Actual color may vary. Design, specifications, and color availability are subject to change without notice. Non-metric weights and measurements are approximate.