

# 48-Inch Gas Rangetop

\$4,999 – \$5,499

**dacor**



**DTT48T960GS/DA** – Silver Stainless, Natural Gas/Liquid Propane \$4,999

**DTT48T960GM/DA** – Graphite Stainless, Natural Gas/Liquid Propane \$5,499

## Features & Benefits

- SimmerSear™ brass burners
- Ultra-wide 15-inch grates
- Auto Connect to compatible ventilation through Bluetooth
- SmartThings Wi-Fi connectivity
- Illumina™ Knobs
- Perma-Flame™
- LP conversion Kit

## Controls

<b>CONTROL TYPE</b>	Knobs
<b>ILLUMINA™ KNOBS</b>	White
<b>WI-FI + SMARTTHINGS</b>	Yes
<b>BLUETOOTH AUTO CONNECT VENTILATION</b>	Yes
<b>CONTROL SHOWER LIGHTING</b>	Yes

## Cooktop

<b>NUMBER OF BURNERS</b>	6 Brass
<b>PERMA-FLAME™ (AUTO RE-IGNITION)</b>	Yes
<b>LEFT FRONT (BTU)</b>	22,000
<b>LEFT REAR (BTU)</b>	16,000
<b>CENTER FRONT (BTU)</b>	16,000
<b>CENTER REAR (BTU)</b>	16,000
<b>RIGHT FRONT (BTU)</b>	22,000
<b>RIGHT REAR (BTU)</b>	9,000
<b>BRASS BURNER CAPS</b>	Yes
<b>GRIDDLE</b>	Sold Separately
<b>WOK RING</b>	Yes

## Weights & Dimensions

<b>NET WEIGHT (LBS.)</b>	63
<b>SHIPPING WEIGHT (LBS.)</b>	90
<b>PRODUCT DIMENSIONS (W X H X D IN INCHES)</b>	47 7/8 x 8 x 27 7/8
<b>CUTOUT REQUIRED (W X H X D IN INCHES)</b>	48 x 7 3/4 x 24

## Technical Details

<b>ELECTRICAL REQUIREMENT</b>	120V, 60 Hz, 20A
<b>AVAILABLE FUEL TYPES</b>	Natural Gas, Liquid Propane
<b>LP CONVERSION KIT (INCLUDED)</b>	Yes

## Warranty

<b>FULL COVERAGE</b>	2 Years
----------------------	---------

## Accessories (Optional)

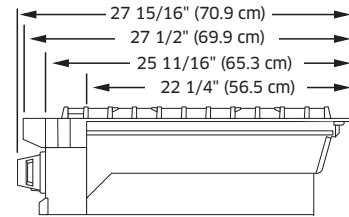
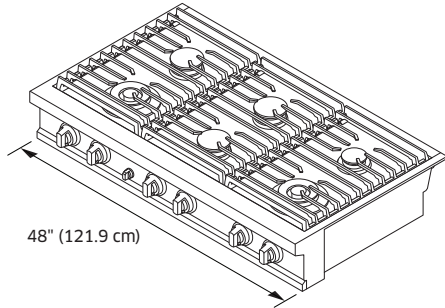
<b>ARG48</b>	Griddle for 48" Range and Rangetop	\$399
--------------	------------------------------------	-------

# 48-Inch Gas Rangetop

\$4,999 – \$5,499



## Product Dimensions



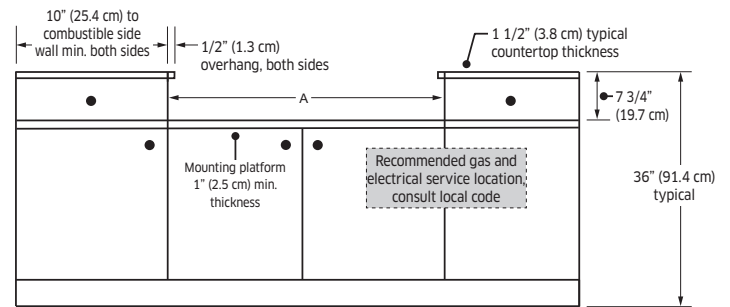
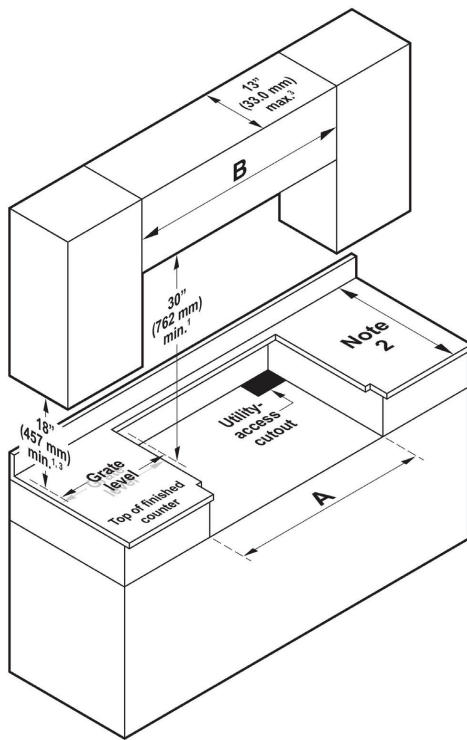
SIDE VIEW

## Installation Requirements

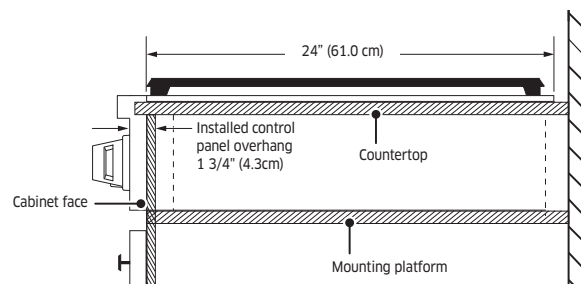
<b>A - RANGETOP CUTOUT (IN/MM)</b>	48 / 121.9
<b>B - RANGETOP CUTOUT MINIMUM (IN/MM)</b>	48 / 121.9
<b>B - RANGETOP CUTOUT RECOMMENDED (IN/MM)</b>	54 / 137.2

## Countertop Cutout Dimensions

<b>A - RANGETOP CUTOUT (IN/MM)</b>	48 / 121.9
------------------------------------	------------



FRONT VIEW



SIDE VIEW