

dacor[®]

Installation Instructions

Modernist Gas Cooktop

DTG30M954F/DTG36M955F

Contents

Before you begin	3
About this manual	3
Important note to the installer	3
Important note to the consumer	3
Important note to the servicer	3
Customer-service information	4
If You Need Help...	4
Important safety instructions	5
Read all instructions before using this appliance	5
Symbols used in this manual	5
State of California Proposition 65 warning (US only)	5
Commonwealth of Massachusetts	5
Safety and warning information	6
General safety	6
Fire safety	7
Gas safety	7
Electrical and grounding safety	8
Location safety	8
Installation safety	9
Cooktop safety	10
Gas cooktop components	11
What's in the box	11
Installation requirements	13
Pre-installation checklist	13
Location requirements	13
Gas supply requirements	17
Special gas requirements (gas models sold in Massachusetts)	17
Electrical requirements	18
Installation instructions	19
Installing your gas cooktop	19
LP (Propane) conversion instruction	28
Supplied parts	29
Converting the pressure regulator	32
Converting the cooktop burners	33
Adjusting low flame setting on cooktop burners	34

Before you begin

About this manual

READ THESE INSTRUCTIONS COMPLETELY AND CAREFULLY.

Important note to the installer

- Read all instructions in these installation instructions before installing the cooktop.
- Remove all packing materials from the cooktop compartments before connecting the electric and gas supply to the cooktop.
- Observe all governing codes and ordinances.
- Be sure to leave these instructions with the consumer.
- Installation of this appliance requires basic mechanical skills.
- Proper installation is the responsibility of the installer.
- Product failure due to improper installation is not covered under the Warranty.

Important note to the consumer

Keep these instructions with your user manual for reference.

- As when using any heat-generating appliance, certain precautions must be followed.
- Be sure your cooktop is installed and grounded properly by a qualified installer.
- Adjacent wall coverings must be able to withstand heat created by the cooktop.
- Cabinet storage above the cooktop burners should be a minimum of 30 in (76.2 cm).

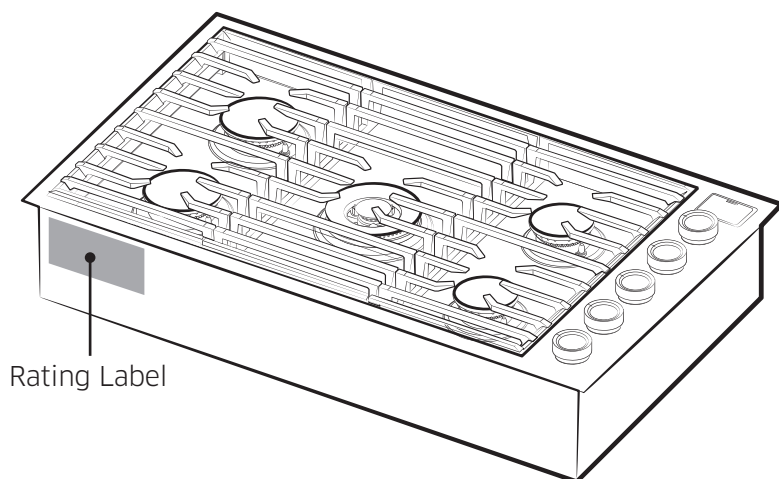
Important note to the servicer

The electrical diagram is attached inside the burner box.

Customer-service information

If You Need Help...

If you have installation issues, contact your Dacor dealer or the Dacor Customer Assurance Team. Before you call, have available the cooktop's model/serial numbers, which are on the rating label (front-left side of the cooktop chassis).



Dacor Customer Assurance

Phone: (800) 793-0093 x2813 (USA, Canada)

Hours of Operation: Mon – Fri 5:00 a.m. to 5:00 p.m. Pacific Time

Website: www.dacor.com/customer-care/contact-us

Important safety instructions

READ ALL INSTRUCTIONS BEFORE USING THIS APPLIANCE

- Electrical and gas equipment with moving parts can be dangerous. The important safety instructions in this manual are intended to minimize the risk of property damage, personal injury, and death. Be sure to read them.
- Keep this manual in a handy place so you can refer to it as needed.

Symbols used in this manual

WARNING

Hazards or unsafe practices that may result in severe personal injury or death.

CAUTION

Hazards or unsafe practices that may result in electric shock, personal injury, or property damage.

NOTE

Useful tips and instructions.

These warning icons and symbols are intended to prevent property damage and personal injury. Follow them explicitly.

State of California Proposition 65 warning (US only)

WARNING : This product contains chemicals known to the State of California to cause cancer and birth defects or other reproductive harm.

Gas appliances can cause low-level exposure to Proposition 65 listed substances (including benzene, carbon monoxide, formaldehyde, and soot) resulting from the incomplete combustion of LP or natural gas.

Commonwealth of Massachusetts

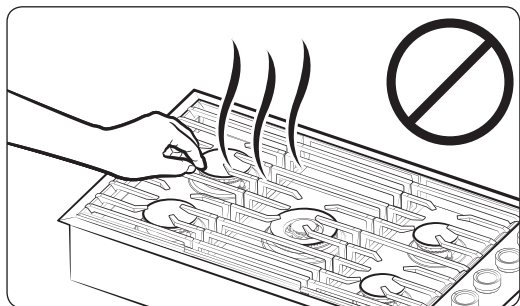
This product must be installed by a licensed plumber or gas fitter qualified or licensed by the State of Massachusetts. When using ball-type gas shut-off valves, you must use the T-handle type. Multiple flexible gas lines must not be connected in series.

Safety and warning information

General safety

⚠ WARNING

To reduce risk of fire, electric shock, personal injury, or death, observe these precautions:



- Do not touch any part of the cooktop during or immediately after cooking.
- Learn where and how to shut off the valve that feeds gas to the cooktop.

- Make sure the cooktop's hold-down brackets are properly installed. (See pg. 26.)
- Do not let children sit/stand on the cooktop or play with any of its parts. Do not leave children unattended in the kitchen when the cooktop is in use.
- Remove all packaging before operating the cooktop. Keep all packaging away from children. Properly dispose of packaging as soon as the cooktop is unpacked.
- Do not keep objects of interest to children on or around the cooktop.
- Do not install the cooktop if it is damaged, malfunctions, or is missing parts.
- Use only dry pot holders.
- Do not use the cooktop to heat sealed food containers.
- Unplug the cooktop before service/maintenance.
- An air curtain or other overhead range hood that blows down on a range shall not be used with a gas range unless both appliances were designed and tested according to the Standard for Domestic Gas Ranges, ANSI Z21.1 • CSA1.1, and listed by an independent testing laboratory for combination use.

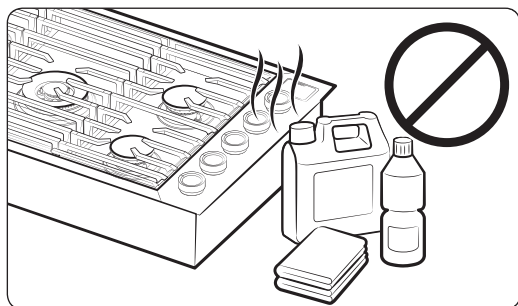
⚠ WARNING

NEVER use the cooktop as a space heater. Doing so may overheat the oven and result in carbon monoxide poisoning.

Fire safety

⚠ WARNING

To reduce risk of fire, electric shock, personal injury, or death, observe these precautions:



- Do not store/place/use combustible material (e.g., paper, plastic, pot holders, linens, alcohol) near the cooktop.
 - Do not wear loose fitting or hanging clothing while using the cooktop.
 - Do not let flammable material touch a heating element. Do not use a towel or other bulky cloth as a pot holder.
- Regularly clean the vents to remove grease buildup.
 - Do not douse a grease fire with water, but turn off the burner, and smother the fire with a tight-fitting lid, or use a multi-purpose, dry-chemical or foam extinguisher.
 - Do not heat sealed food containers; pressure may burst container and cause injury.

Gas safety

⚠ WARNING

To reduce risk of fire, electric shock, personal injury, or death, observe these precautions:

If you smell gas:

- Close the valve and do not use the cooktop.
- Do not light a match, candle, or cigarette.
- Do not turn on any gas or electric appliances.
- Do not touch an electrical switch or plug in a power cord.
- Do not use any phone in your building.
- Evacuate the building.
- From a neighbor's phone, immediately call the gas supplier, and follow their directions. (If you cannot reach your gas supplier, call the fire department.)

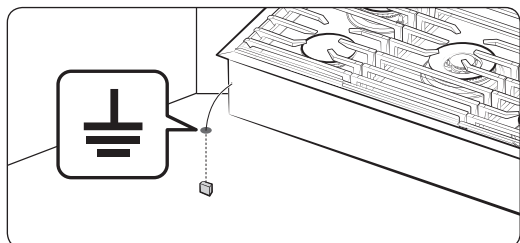
Checking for gas leaks

Leak-testing the cooktop must be done per manufacturer directions. Do not use a flame to check for gas leaks. Use a brush to spread a soap-and-water solution around the test area. If there is a gas leak, small bubbles will appear in the solution.

Electrical and grounding safety

⚠ WARNING

To reduce risk of fire, electric shock, personal injury, or death, observe these precautions:



- Plug into a grounded, 3-prong outlet.
 - Do not remove the ground prong.
 - Do not use an adapter or extension cord.
 - Do not use a damaged power plug, cord, or loose power outlet.
 - Do not modify the plug, cord, or outlet.
-
- Do not put a fuse in a neutral or ground circuit.
 - Use a dedicated 120-volt, 60-Hz, 15-amp, AC, fused electrical circuit. A time-delay fuse or circuit breaker is recommended. Plug only the cooktop into this circuit.
 - Do not connect the ground wire to plastic plumbing lines, gas lines, or hot-water pipes.
 - This cooktop must be grounded. In case of malfunction or breakdown, grounding provides the current a safe path.
 - If unsure your electrical outlet is properly grounded, have a licensed electrician check it.
 - If codes allow a separate ground wire, have a qualified electrician determine its path.
 - Electrical service to the cooktop must conform to local codes, or in the absence of local codes, to the National Electrical code/NFPA No. 70 – Latest Revision (for the U.S.) or the Canadian Electrical Code CSA C22.1 or Latest Revisions.
 - The owner shall ensure the cooktop is provided proper electrical service.

Location safety

⚠ WARNING

To reduce risk of fire, electric shock, personal injury, or death, observe these precautions:

- The cooktop is for indoor household use only. Do not install the cooktop outside or anywhere that it will be exposed to weather, water, wind, or strong drafts.
- On windows near the cooktop, do not hang paper blinds or long curtains that could be blown over the cooktop.
- The cooktop must be installed within easy reach of a grounded, 3-prong outlet.
- For proper ventilation, the cooktop needs sufficient space below, all around the chassis. Vents in the chassis exhaust heat and fumes so the cooktop can operate properly.
- Wall coverings around the cooktop must be able to withstand heat up to 194 °F (90 °C).
- Do not store items above the cooktop. If cabinet storage above the cooktop is needed, allow at least 30 in. (76.2 cm) between the cooking surface and the cabinet bottom.

Safety and warning information

Installation safety

WARNING

To reduce risk of fire, electric shock, personal injury, or death, observe these precautions:

- The cooktop should be installed and properly grounded by a qualified installer, as specified in this manual. Adjustments and service should be performed only by qualified installer or service technician.
- Do not service/modify/replace the cooktop or any part of it unless directed in this manual. All other service should be performed by a qualified technician.
- Use only new, flexible connectors when installing the cooktop.
- Ensure the cooktop's hold-down brackets are properly installed. (See pg. 26.)
- Remove all tape and packaging materials.
- After unpacking the cooktop, remove all accessories from inside and around it. (Cautiously handle the heavy grates.)
- Verify that nothing came loose during shipping.
- Ensure the cooktop is correctly installed/adjusted by a qualified service technician or installer for the type of gas (natural or LP) you will use. For the cooktop to use LP gas, a qualified installer/technician must replace every burner orifice with the provided LP orifice set, and reverse the GPR adapter. The qualified agency performing this work shall be responsible for the conversion.
- Installation must conform to local codes or in their absence, to the National Fuel Gas Code, ANSI Z223.1/NFPA.54, latest edition. In Canada, installation must conform with the current Natural Gas and Propane Installation Code, CAN/CGA-B149.1, or the current Propane Installation Code, CAN/CGA-B149.2, and with local codes where applicable. This cooktop has been design-certified by ETL according to ANSI Z21.1, latest edition, and Canadian Gas Association according to CAN/CGA-1.1, latest edition.

Safety and warning information

Cooktop safety

WARNING

To reduce risk of fire, electric shock, personal injury, or death, observe these precautions:

- Turn off all burners that are not in use.
- Do not line the grates or any part of the cooktop with aluminum foil.
- Do not leave burners unattended on medium or high heat settings.
- Before igniting, ensure the burner components are properly seated.
- Use the LITE (flame icon) position to ignite a burner, then ensure the burner ignites. If ignition fails, turn the knob OFF, and wait a few minutes for the gas to dissipate.
- When setting a burner to simmer, turn the knob slowly, and ensure the flame stays on.
- Place only cookware on the cooktop.
- Turn off a burner before removing the cookware.
- Ensure all cooktop burners are off and all surfaces are cool to the touch before removing the grates and disassembling the burners.
- After cleaning the burner head, dry it completely before reassembly.
- Do not pour liquids into the cooktop during cleaning.
- Select cookware that is designed for cooktops and that is large enough to cover the grates. Burner flames should not extend beyond the bottom of the cookware.
- Do not use cookware that is considerably larger than the grate.
- Turn cookware handles away from active burners or the front edge of the cooktop.
- Stand at a safe distance while frying.
- Heat frying oil slowly, and monitor the oil as it heats. For high-heat frying, monitor the oil throughout the cooking process.
- If combining fats or oils, do so before heating.
- If possible, use a deep-fry thermometer so you can adjust the heat to keep the oil below its smoke point. (Know the smoke point of your oil.)
- Use minimal oil when frying.
- Thaw food before frying; do not fry overly cold food or that is clumped with ice.
- Let hot oil/fat cool to room temperature before moving the cookware.
- In case of scalding:
 - Immerse the scalded area in cool water for at least 10 minutes.
 - Do not apply creams/oils/lotions.
 - Cover the scalded area with a clean, dry cloth.

Gas cooktop components

What's in the box

Parts supplied

Common



Manual



Screw (6)
(M4 L10 2 ea, M4 L16 2 ea, 24 3/16 UNC
L145 nut toggle 2 ea)

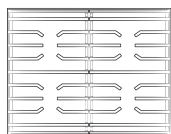


Regulator (1) *



Hold down brackets (2) *

30" : DTG30M954F*



Cooktop burner grates (2)

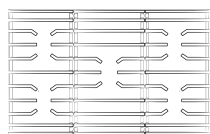


Surface burners, brass
caps (4)



Porcelain caps (4)

36" : DTG36M955F*



Cooktop burner grates (3)



Surface burners, brass
caps (5)



Porcelain caps (5)

NOTE

- Before installation, verify all of the parts above are present.
- If your cooktop was damaged during shipping or some specified parts are missing, contact your local retailer. Do not install a damaged or incomplete cooktop.
- If you need an accessory marked with an asterisk, contact the DACOR Call Center at the phone number on page 3, or visit our online parts website: www.dacor.com.

Parts needed



Gas line shut-off valve



Flexible metal appliance connector
½ in (ID) x 5 ft



Flare union adapter ¾ in or ½ in (NPT) x ½ in (ID)



Flare union adapter ½ in (NPT) x ½ in (ID)



135-degree elbow (optional)



90-degree elbow (optional)

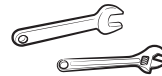
Tools needed



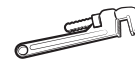
Flat-blade screwdriver



Phillips screwdriver



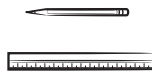
Open-end or adjustable wrench



Pipe wrench (2)



¼" Nut driver



Pencil and ruler



Level



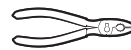
Pipe joint compound



Utility knife



Soapy water solution



Pliers



Saber saw

Installation requirements

Pre-installation checklist

1. Before preparing the countertop opening, verify there will be no conflict between the cooktop chassis and anything in the cabinet below.
2. Remove packing material, grate boxes, regulator with literature, and literature package, verify that all items are present before beginning the installation.

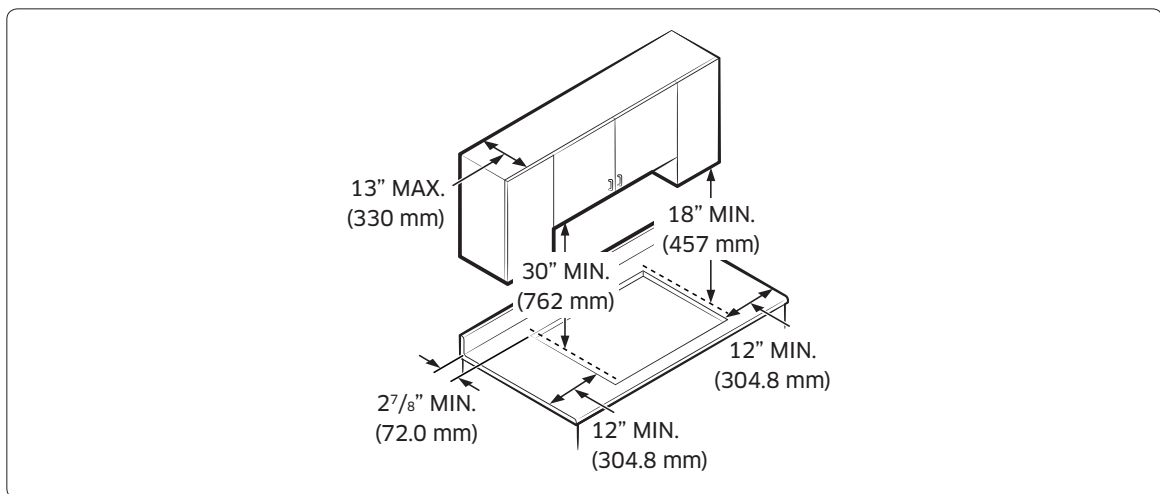
Location requirements

Before installing the cooktop, see the information and graphic below. These dimensions must be met for safe cooktop operation. Location of the electrical outlet and gas piping may be adjusted to meet the specified parameters.

CAUTION

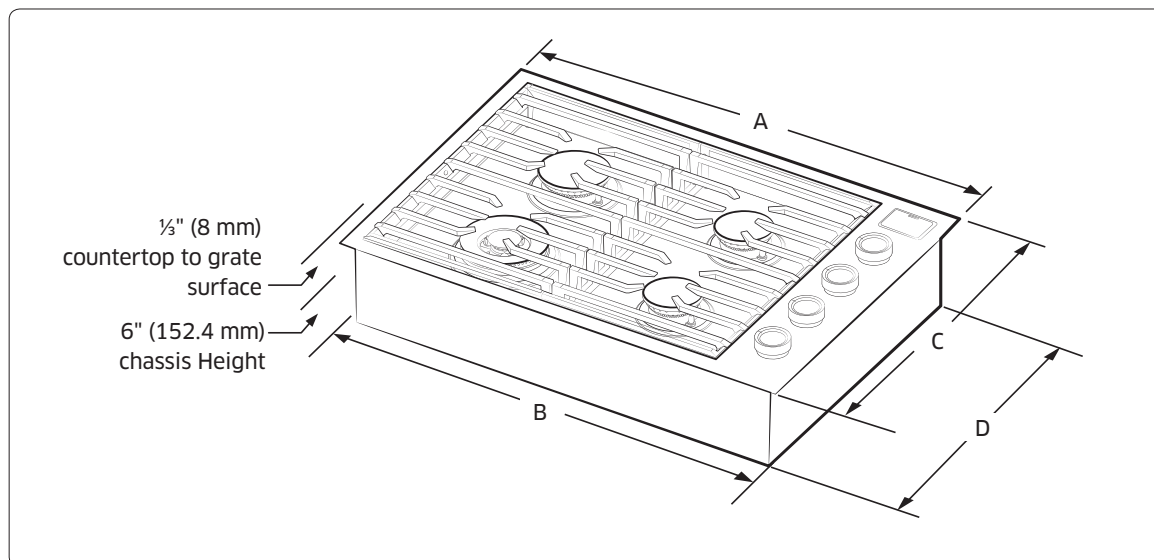
The cooktop complies with the maximum allowable wood-cabinet temperature of 194 °F (90 °C). The wall covering, countertops, and surrounding cabinets must also withstand this temperature.

Maintain these minimum clearance dimensions:

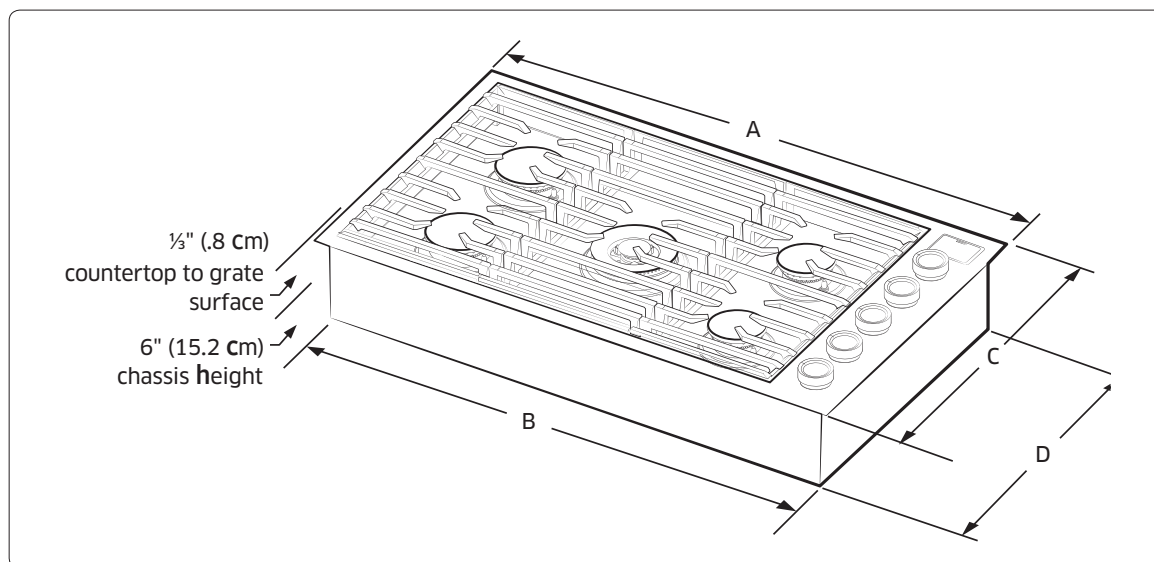


Overall cooktop dimensions

DTG30M954F*



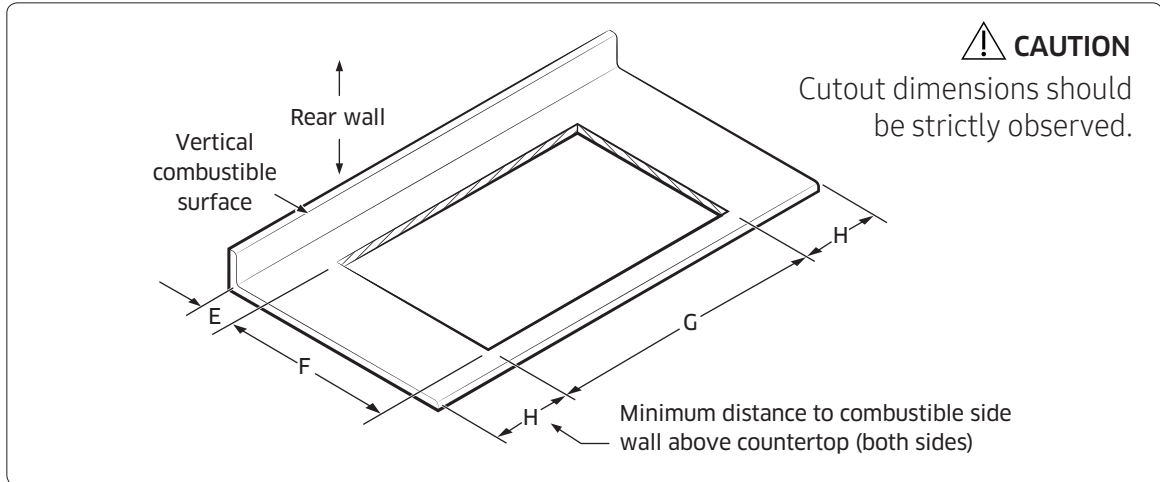
DTG36M955F*



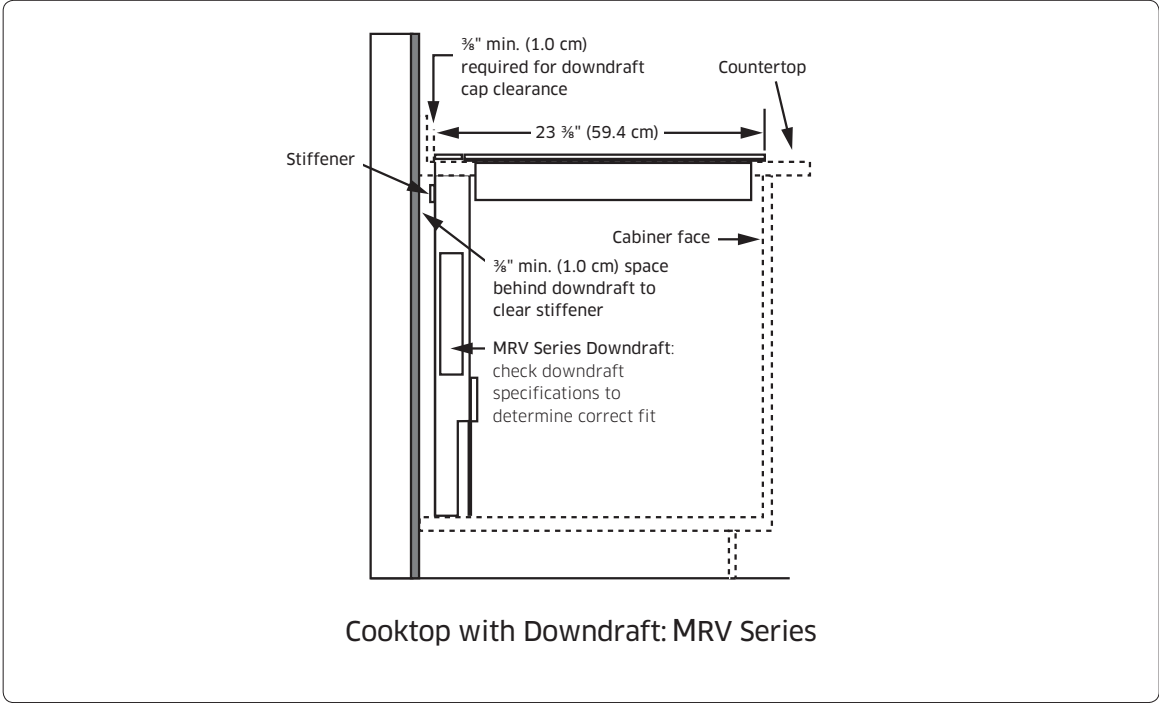
Model	A	B	C	D
DTG30M954	30" (76.2 cm)	28½" (72.3 cm)	21" (53.3 cm)	19½" (49.5 cm)
DTG36M955	36" (91.4 cm)	34½" (87.5 cm)		

Installation requirements

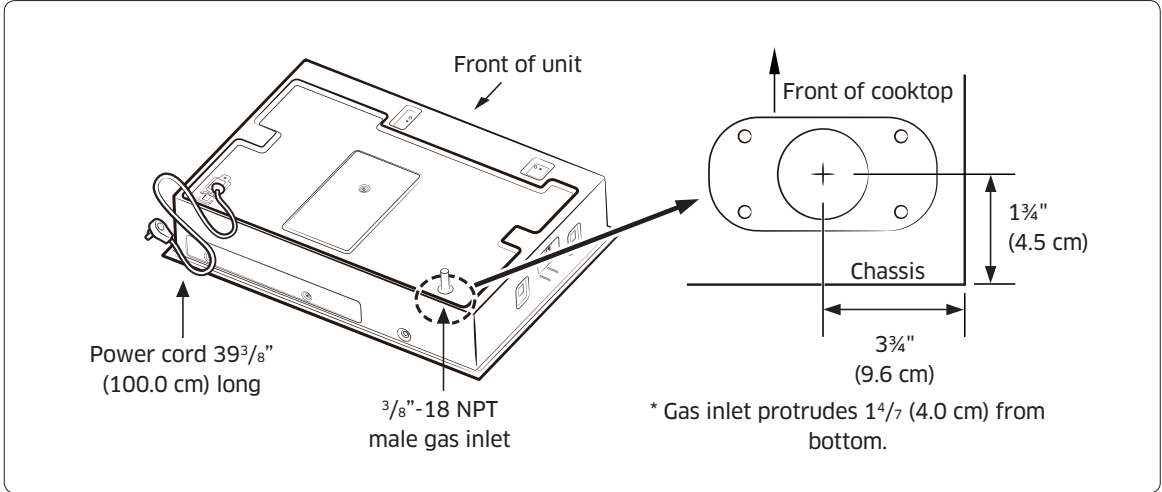
Cutout dimensions of countertop



Model	(E) Min.	(F) Min.	(G) Min.	(H) Min.
DTG30M954 (no downdraft)	2 $\frac{7}{8}$ " (7.2 cm)	19 $\frac{3}{4}$ " (50.1 cm)	28 $\frac{11}{16}$ " (72.7 cm)	12" (30.4 cm)
DTG30M954 with MRV3015M/S	$\frac{3}{8}$ " (0.9 cm)	22 $\frac{1}{2}$ " (57.1 cm)		7 $\frac{1}{2}$ " (19.0 cm)
DTG36M955 (no downdraft)	2 $\frac{7}{8}$ " (7.2 cm)	19 $\frac{3}{4}$ " (50.1 cm)	34 $\frac{11}{16}$ " (87.9 cm)	12" (30.4 cm)
DTG36M955 with MRV3615M/S	$\frac{3}{8}$ " (0.9 cm)	22 $\frac{1}{2}$ " (57.1 cm)		7 $\frac{1}{2}$ " (19.0 cm)



Utility locations and dimensions



Installation requirements

Gas supply requirements

Provide adequate gas supply

Be sure to supply your cooktop with the gas for which it is designed. Do not try to convert the cooktop to receive a different type of gas without consulting the gas supplier.

This cooktop converts to natural or propane gas. For LP gas, conversion must be made by a qualified installer before operating the cooktop. For proper natural-gas operation, the pressure supplied to the regulator must be 5 – 13 in. (13 – 33 cm) of water column. For LP gas, the pressure must be 10 – 13 in. (25 – 33 cm) of water column.

When checking proper regulator operation, the inlet pressure must be at least 1 in. (2.5 cm) greater than the operating (manifold) pressure as given. The pressure regulator (at the inlet of the cooktop manifold) must remain in the supply line whether or not natural or LP gas is used.

NOTE

- The cooktop has its own regulator. Use only the provided regulator, which must be installed in the gas line that runs from the cooktop gas inlet to the gas shut-off valve.
- An external manual shut-off valve must be installed between the gas inlet and the cooktop for turning on/off gas to the appliance.
- Be sure the connectors are installed when you need coupling by a qualified installer.
- On a new cooktop, never install used connectors, which can leak gas and cause personal injury.

Special gas requirements (gas models sold in Massachusetts)

COMMONWEALTH OF MASSACHUSETTS REQUIREMENTS:

WARNING

- Gas may leak in your system, creating a dangerous situation.
 - Gas leaks may not be detected by smell alone.
 - Gas suppliers recommend installing a UL-approved gas detector.
- The cooktop must be installed by a plumber or gas fitter certified by the State of Massachusetts.
- A T-handle manual gas valve **MUST** be installed in the gas supply line to your cooktop.
- If a flexible gas connector is used to install your cooktop, multiple flexible gas lines must not be connected in series.

Electrical requirements

WARNING

- The owner shall ensure the electrical service meets electrical requirements and that the electrical outlet is properly installed by a licensed electrician.
- To reduce risk of fire, electric shock, or personal injury:
 - Do not use an extension cord or adapter plug with this cooktop.
 - The power cord has an equipment-grounding conductor and a grounding plug.
 - Ensure a properly grounded outlet is installed by a qualified electrician.
 - All wiring and grounding must comply with local codes, or, in their absence, with the National Electrical Code, ANSI/NFPA No. 70 – Latest Revision (US), or the Canadian Electrical Code CSA C22.1 – Latest Revisions and local codes.
 - The wiring diagram is inside the burner box.
 - The cooktop ignition system only operates if the outlet is properly polarized.
 - The cooktop requires a 120 V, 60-Hz, AC, approved electrical service with 20-amp circuit breaker or time-delay fuse.

NOTE

Re-ignition may malfunction if the voltage between Neutral and Ground is over 20 VAC. Make sure the voltage is under 20 VAC.

- The plug must be firmly inserted in a properly installed, three-prong outlet per local codes. After a malfunction or breakdown, grounding decreases the risk of electrical shock by providing the current a safe path.
- Do not use a damaged power plug or loose wall outlet.
- Do not remove the plug's grounding (third) prong. If the plug and outlet do not match or you have any doubt, have a qualified electrician check the outlet and circuit to ensure the receptacle is properly grounded, and install the proper outlet if needed.
- NEVER connect ground wire to plastic plumbing lines, gas lines, or water pipes.

Additional installation requirements for mobile homes

Installation of appliances designed for mobile-home use must comply with the Manufactured Home Construction and Safety Standard, Title 24 CFR, Part 3280 (formerly the Federal Standard for Mobile Home Construction and Safety, Title 24, HUD, Part 280) or, when such standard does not apply, the Standard for Manufactured Home Installations, latest edition (Manufactured Home Sites, Communities and Set-Ups), ANSI A225.1, latest edition, or with local codes. In Canada, mobile home installation must comply with the current CAN/CSA Z240/MH Mobile Home Installation Code.

Installation instructions

Installing your gas cooktop

IMPORTANT:

Carefully read these instructions and the Important Safety Instructions section at the front of this manual BEFORE installing/operating the cooktop. Improper installation, adjustment, service, or maintenance can lead to personal injury and property damage.

NOTE

To ensure proper installation, you should hire a qualified professional.

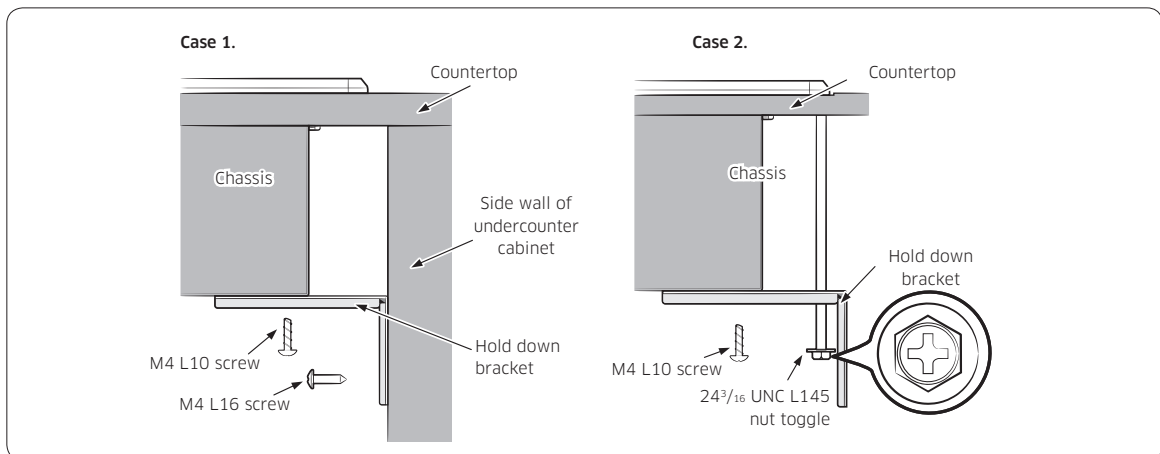
Unpacking the cooktop

1. Remove all packaging material.
2. Inventory all included parts against supplied components on pg. 16.
3. Check for and report any damage and missing parts to your retailer.

Installing the cooktop

1. If a downdraft vent will accompany the cooktop, first install the downdraft.
2. Lower the cooktop into the cutout and center it.
3. Secure the cooktop to the countertop with the hold-down brackets as shown below.

Attaching the hold-down brackets



Connecting the gas supply

1. Shut off the main gas-supply valve before disconnecting the old cooktop.
2. Complete the gas hookup.
3. Open the gas valve, and relight the burners on any other gas appliances.

NOTE

Because hard piping restricts movement of the cooktop, use a CSA International-certified flexible metal appliance connector unless local codes require hard piping.

WARNING

Follow the information in this manual exactly to avoid a fire or explosion, which may cause property damage and personal injury or death.

- Do not store/use flammable liquids near the cooktop.
- IF YOU SMELL GAS:
 - DO NOT light a match, candle, or cigarette.
 - DO NOT try to light any appliance.
 - DO NOT touch any electrical switch.
 - DO NOT use any phone in your building.
 - Evacuate the building.
 - Immediately, from a neighbor's phone, call the gas supplier, and follow their directions. (If you cannot reach the supplier, call the fire department.)
- Installation and service must be performed by a qualified installer, service agency, or gas supplier.
- Install the provided gas regulator. Do not use the cooktop without it.
- Ensure the regulator arrow points toward the cooktop.
- Do not overtighten gas connections and fittings.
- Before use, test the gas lines for leaks as instructed. Do not test with a flame.

Installation instructions

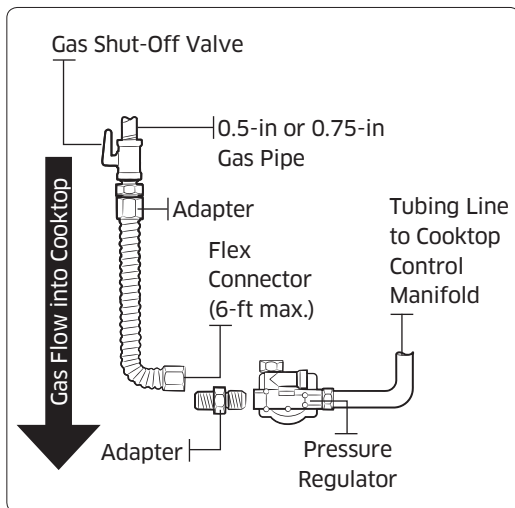
Never install an old connector on a new cooktop. For hard piping, carefully align the pipe; the cooktop cannot be moved once the connection is made.

To prevent gas leaks, apply pipe-joint compound or wrap pipe-thread tape with Teflon on all male (external) pipe threads.

1. Attach the provided gas-pressure regulator to the cooktop pipe nipple inlet. (For tight installations, the regulator may be installed upstream from the nipple, anywhere between the shut-off valve and the cooktop. However, to minimize gas-pressure loss, attach the regulator as close as possible to the cooktop gas inlet.)
2. Complete the connection by installing a flexible gas line between the pressure regulator and the shut-off valve.

Flexible connector hookup

Installer: Inform the consumer of the location of the gas shut-off valve.



NOTE

The gas shut-off valve should be installed on the gas piping, away from the appliance, and easily accessible for quick opening/closing.

Checking for gas leaks

WARNING

To prevent an explosion/fire hazard possibly leading to personal injury or death, DO NOT use a flame to check for gas leaks.

When using pressures above 1/2 psig to test the home gas-supply system, disconnect the cooktop and individual shut-off valve from the gas-supply piping. When using pressures of 1/2 psig or less to test the gas-supply system, isolate the cooktop from the system by closing the individual shut-off valve.

1. When all connections are made, ensure all cooktop controls are off, and turn on the main gas-supply valve.
2. Use a liquid leak detector at all joints and connections to check for gas leaks.
3. Tighten connections as needed to stop gas leakage in the cooktop or supply line.

Making the electrical connections

WARNING

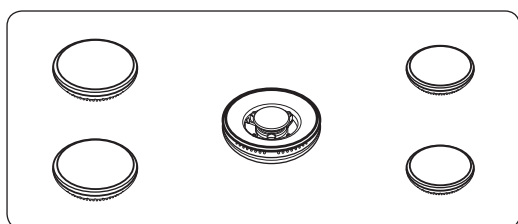
- Disconnect electrical power at the main circuit breaker or fuse box before making any electrical connections.
 - BEFORE operating/testing, follow the grounding requirements on pg. 25. Improper connection of the grounding plug is an electric-shock risk.
 - All gas cooktops come with a power cord connected to the bottom of the cooktop chassis. (For details, see “Electrical requirements,” page 24.)
 - The electrical system, including the power cord, is factory-installed/-wired. Altering any part of this system may cause a short or overload.
1. Plug in the power cord. (Ensure the outlet meets all applicable electrical codes (see pg. 24).
 2. After installing the cooktop, check the gas-supply line to verify it is connected and undamaged.

Installation instructions

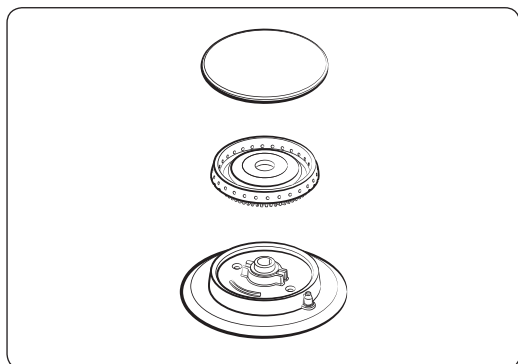
Assembling the cooktop burners

CAUTION

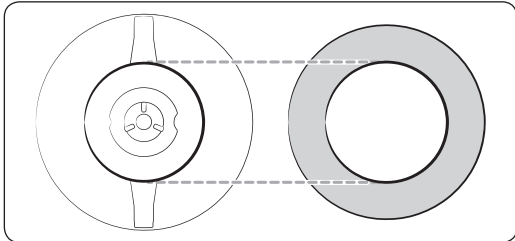
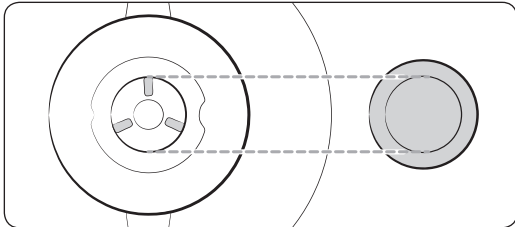
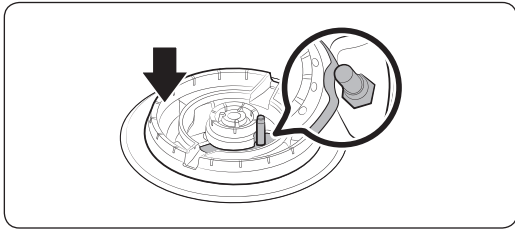
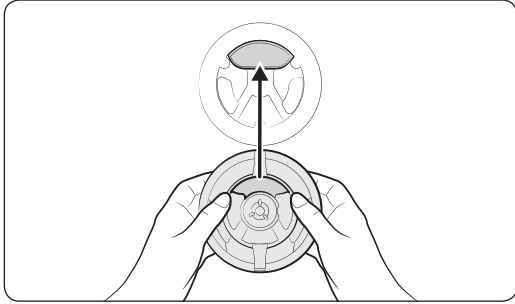
- Ensure all burner parts are in place before operating the cooktop burners.
- Do not push in any cooktop controls while removing the burner; you might receive an uncomfortable electrical shock.
- Do not touch one burner's electrode while another burner is on.



1. Put the burner heads on their bases as shown at left. (The electrodes fit in the slot in the bottom of the heads.) The heads should be flat and parallel to the cooktop.
2. Place the corresponding caps on each burner head.

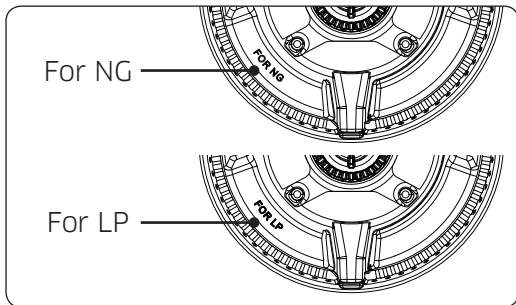
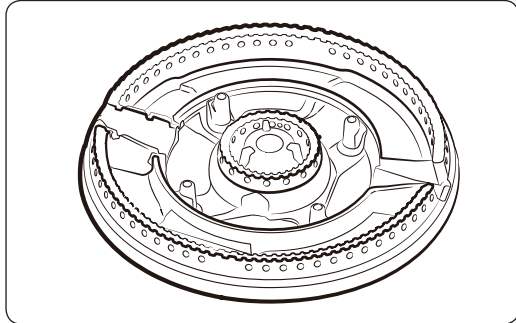


Dual Burner head / caps



1. Orient the burner head so the opening for the electrode aligns with the electrode.
2. Install the burner head so the electrode passes through its opening in the head. Ensure the burner head lies flat on the stove top.
3. Match the burner caps to the burners by size, then install the caps on the heads.

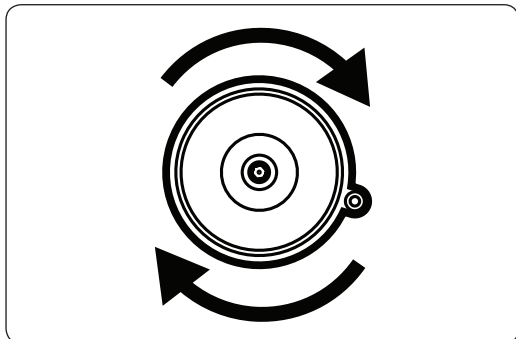
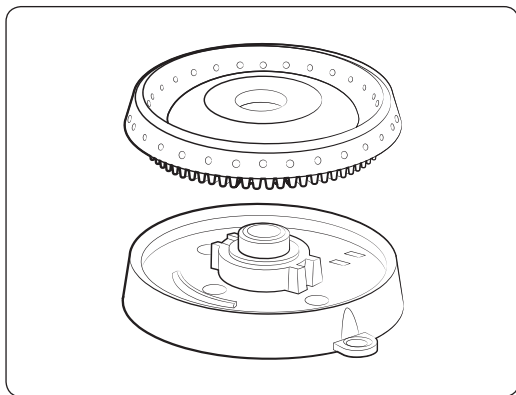
Installation instructions



NOTE

- The included dual burner head is not a substitute. One is for LP gas and the other is for LN gas. Use appropriate gas type.
 - Dual burner head for LP gas is packed with a plastic bag.
 - The letter "For LP" or "For NG" is engraved on the dual burner head.
- LP burner head also can be found by the number of holes.
 - The burner head with 14 holes in a quadrant is for LP gas use.
 - The burner head with 12 holes in a quadrant is for LN gas use.

Round Burner head / caps



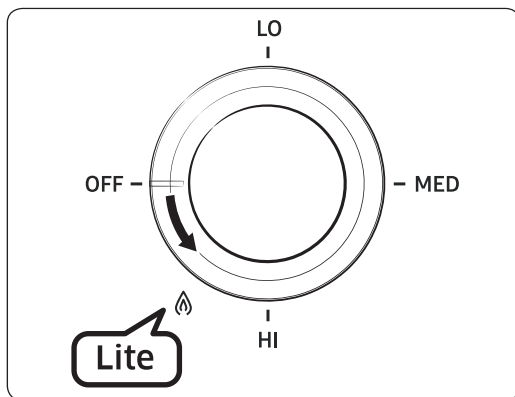
1. Put the burner heads on their bases as shown at left. The bottom of the head fits within the burner base.
2. Turn the head until it drops into place. Wiggle the head slightly to determine it is properly seated.
3. Put the burner caps (brass or porcelain) atop the burner heads. The ridge around the bottom edge of the cap fits around the top of the burner head.

CAUTION

Ensure all burner components (heads and caps) rest flat and snugly in place.

Verifying burner function

After the cooktop is fully installed, connected, assembled, and plugged in, verify burner function. Perform this procedure for each burner in turn.



To turn on a cooktop burner

1. Push in, and turn a burner control knob to the "Lite" position (flame icon). A "click-click-click..." indicates the electronic ignition system functions. The burner ignites in about 4 seconds, after air is purged from the gas line.)
2. Turn the knob to the desired setting. (The "clicking" stops; the flame height changes from HI to LO as you turn the knob counterclockwise.)

NOTE

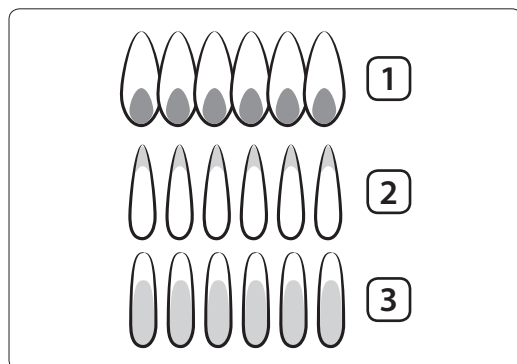
If the burner does not light within 4 seconds, turn the knob off and wait one minute before trying again.

Checking flame quality

All burner flames must be visually checked to assess their quality.

CAUTION

If you want measure the flame, take care to avoid burn injuries.



1. **Soft blue flames**—Normal for natural gas operation.
2. **Yellow tips on outer cones**—Normal for LP gas operation.
3. **Yellow flames**—Abnormal for any gas operation; call for service.

NOTE

Normal burner flames look like Ex. 1 or 2. If the flame looks like Ex. 3, do not use the cooktop, and call for service.

Installing the grates

NOTE

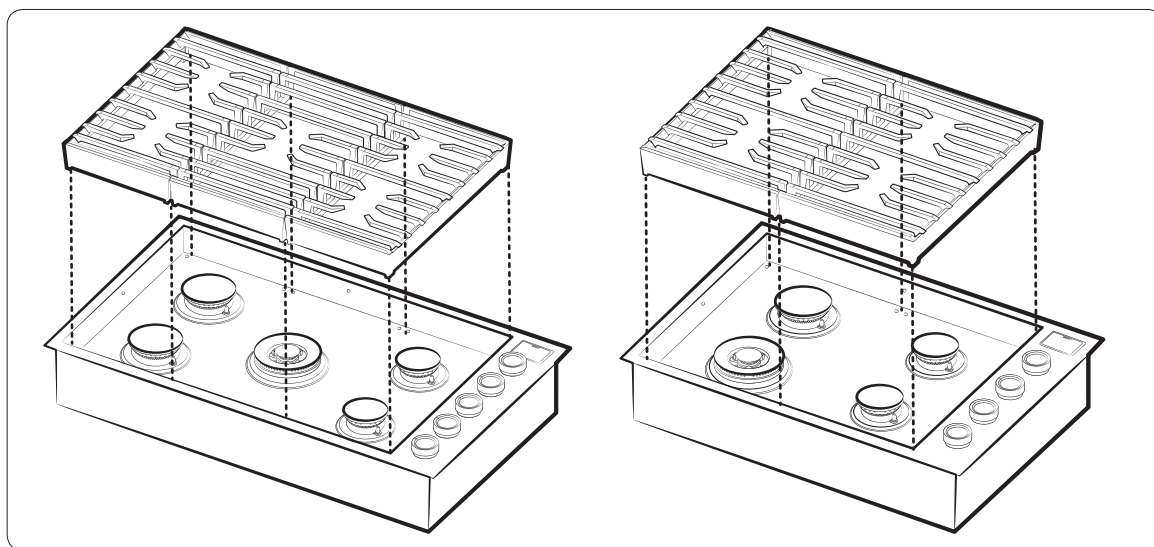
For best results and longest life, install the grates as instructed below. When installed properly, the openings in the grates are centered over the burners.

The three grates occupy specific positions on the cooktop. For maximum stability and safe operation, these grates should only be used in their proper positions.

The back of the right grate is notched to help orient the grates correctly. (See the graphic below.)

To correctly position the grates:

1. Find the notch on the back of the right-hand grate, and orient the grate properly above the right-hand burners.
2. Gently lower the right-hand grate so its legs rest in the corresponding dimples on the cooktop.
3. Likewise place the remaining grates so their feet rest in the corresponding dimples.



NOTE

Side grates are interchangeable. Characters (L, for left; R, for right) on the front indicate a grate's position.

Installation instructions

Final installation checklist

WARNING

The owner shall be responsible for the cooktop's proper installation.

After installing the cooktop, the installer should review this checklist to confirm the cooktop is properly installed and ready to operate.

- The gas line is properly connected to the cooktop.
- The gas is turned on.
- All connections were checked for leaks.
- The cooktop is properly plugged in to a grounded electrical outlet.
- The cooktop burners and grates are properly assembled.
- All burners were tested and function properly.

NOTE

Keep the serial-number label (top of the cooktop) in the user manual for easy reference.

LP (Propane) conversion instruction

WARNING

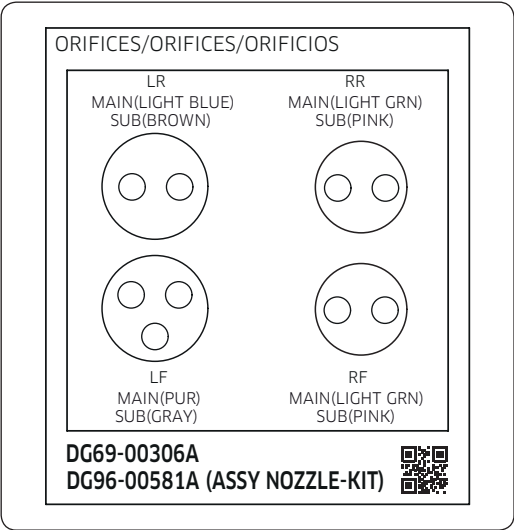
- This conversion must be performed by a qualified installer or gas supplier per manufacturer directions and all requirements of the governing authority. Failure to follow ALL instructions could result in serious injury and property damage. The agency performing this work assumes responsibility for the conversion.
- Know the location of the gas shut-off valve and how to shut it off.
- Unplug or disconnect power before service.
- Do not use the cooktop with LP gas the pressure regulator and burner orifices have not been converted for LP use. High flames and toxic fumes may cause serious injury.
- Ensure LP gas burner orifices are positioned properly during conversion. Improper orifice placement will effect burner and cooking performance and could result in personal injury and product damage.

All Dacor gas cooktops are manufactured to use natural gas. The cooktops ship with LP Conversion Kits. The kit contains a set of burner orifices corresponding to the cooktop burners. The orifices are packed in cardboard and placed in a plastic bag. The bag is packaged with a user manual. The orifice in the pressure regulator is a dual-purpose orifice (one side for natural gas, the other for LP gas.)

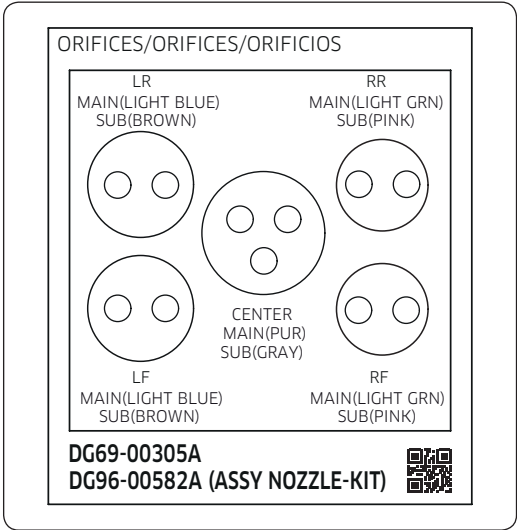
Installation instructions

Supplied parts

The following parts make up the LP conversion kit:



DTG30M954



DTG36M955

The orifices' positions are marked on the provided sheet. The spud in the pressure regulator is factory-installed for Natural Gas (NG) use. LP conversion requires spud removal and reinstallation for LP use.

BURNER ORIFICE SIZES AND OUTPUT RATINGS (LP Gas [Propane] 10 in WCP)		
Burner Location	BTU Rate	Orifice Size (mm) Main / sub
RF	7,500	0.7 / 0.42
LF ¹	14,500	In 0.46 / Out 0.74 (2 pcs)
LF ²	10,500	0.82 / 0.5
RR	7,500	0.7 / 0.42
LR	10,500	0.82 / 0.5
CTR ²	14,500	In 0.46 / Out 0.74 (2 pcs)

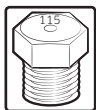
BURNER ORIFICE SIZES AND OUTPUT RATINGS (Natural Gas 5 in WCP)		
Burner Location	BTU Rate	Orifice Size (mm) Main / sub
RF	9,500	1.20 / 0.61
LF ¹	18,500	In 0.70 / Out 1.27 (2 pcs)
LF ²	13,000	1.41 / 0.68
RR	9,500	1.20 / 0.61
LR	13,000	1.41 / 0.68
CTR ²	18,500	In 0.70 / Out 1.27 (2 pcs)

¹30" DTG30M954

²36" DTG36M955

Installation instructions

NOTE



Orifice markings:
115 - Denotes 1.15 mm orifice size opening.

Required tools



Adjustable wrench



½" open-end wrench



Screwdrivers: Phillips



Small flat-bladed precision
screwdriver



Nut drivers: 9/32" or 7 mm

To convert the cooktop for LP gas, perform these steps:

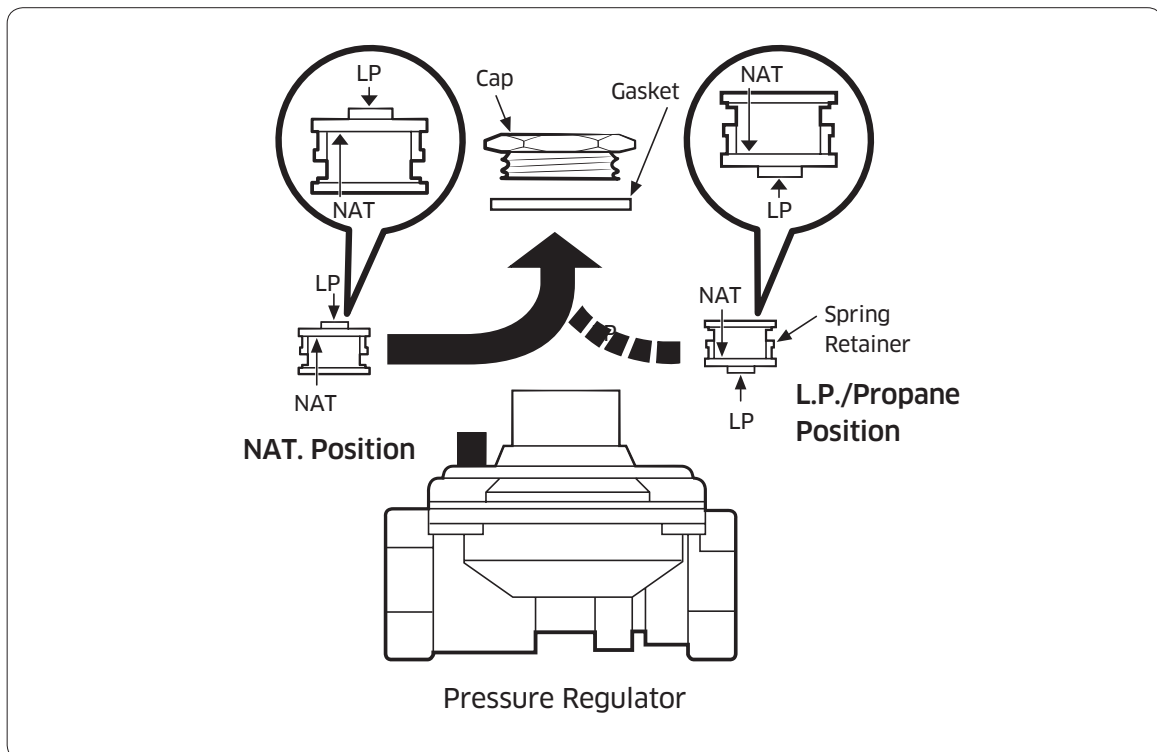
1. Disconnect electrical power to the cooktop. (Unplug the cooktop, trip the circuit breaker, or remove the fuse.)
2. Close the manual shut-off valve to cut the gas supply to the cooktop.

Converting the pressure regulator

NOTE

If you use LP gas, these steps and conversions must be made **before** adjusting the flames.

1. Using your fingers, turn the cap. And carefully look at the spring retainer to locate the NAT or LP position.



2. Rotate the spring retainer 90°, and pull it from the cap. Turn the spring retainer over so LP shows, re-insert it in the cap, then rotate it 90° into position.
3. Screw the cap back onto the regulator, and tighten the cap.

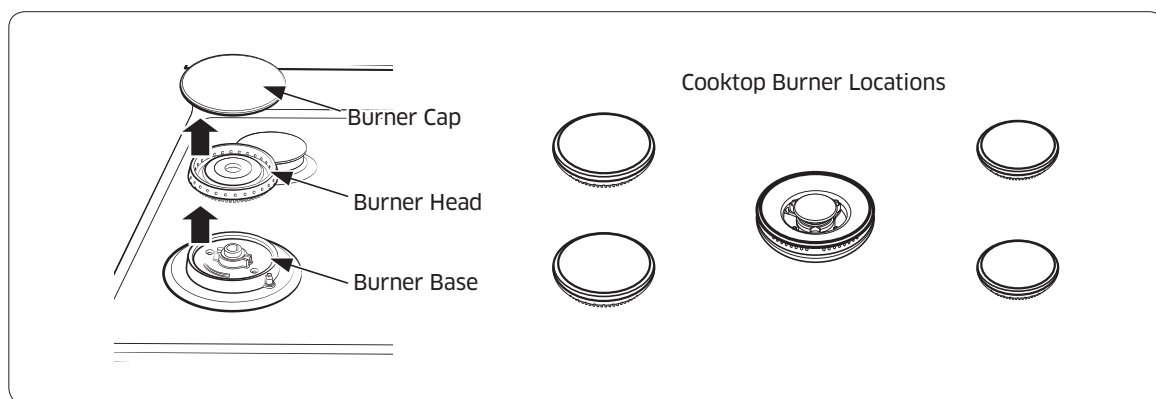
Installation instructions

Converting the cooktop burners

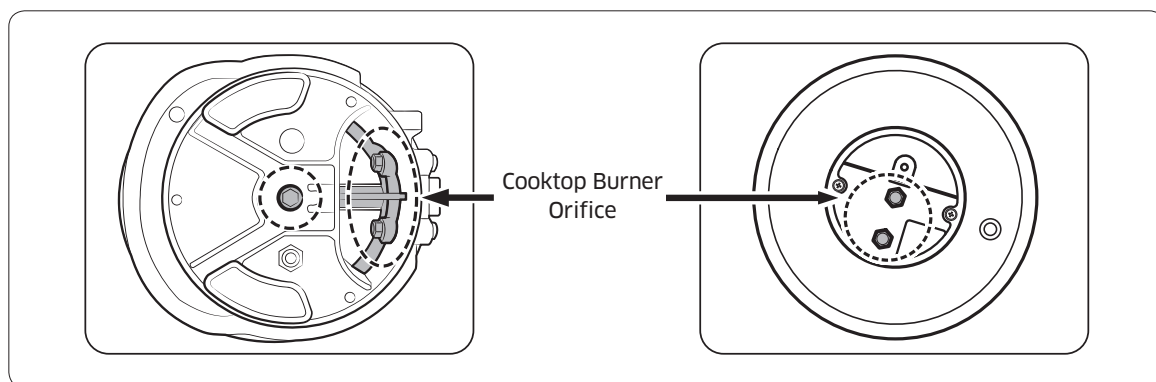
NOTE

If you use LP gas, these steps and conversions must be made before adjusting the flames.

1. Lift off the cooktop burner caps and the cooktop burner heads from the cooktop burner bases or the cooktop burner cups.



2. Using a $\frac{9}{32}$ " or 7 mm nut driver, remove the burner orifice from the bottom of each burner cup.



 **NOTE**

Save these orifices and note their positions for future conversions back to natural gas.

3. Locate the LP conversion orifices that were shipped with the cooktop.
4. Identify the proper orifice by orifice size for each of the cooktop burners.
5. Install the proper orifice in each burner cup, and tighten with a $\frac{9}{32}$ " or 7 mm nut driver.

 **NOTE**

Wrongly located orifices could result in dangerous operating conditions and poor cooking results.

6. Set all burner heads on the same burner bases and cups from which they were removed. The hole on the side of the burner heads goes over the electrodes. The heads are correctly installed when they lie flat atop the bases or cups.
7. Set all burner caps atop the burner heads. These also lie flat when installed, ensuring proper safe operation.

Adjusting low flame setting on cooktop burners

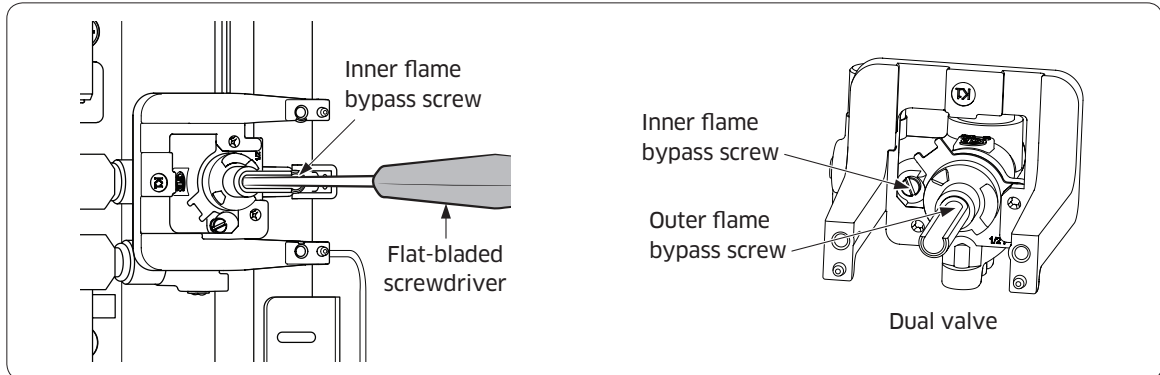
Check all burner flames at their lowest setting. Use these steps to check and adjust the settings.

 **NOTE**

- Low-setting adjustments should always be made with two or more burners on at once.
 - Call for service when you need to adjust the inner flame of the center burner settings.
1. Turn on two or more cooktop burners, and set them between MED and HI.
 2. Quickly turn one of the control knobs counterclockwise to the lowest setting. (If the flame goes out, adjust the bypass valve on that burner's control valve.)
 3. Pull the control knob for that burner straight off.

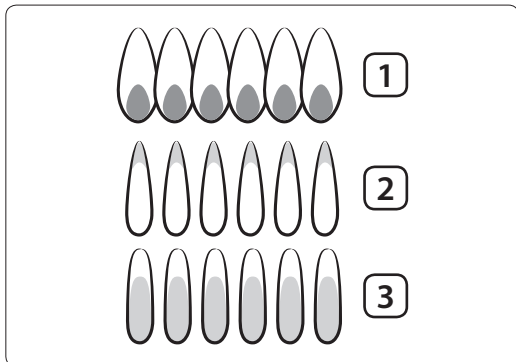
Installation instructions

4. With a small, flat-bladed screwdriver, adjust the bypass valve screw in the base of the valve stem. Turn the bypass valve screw counterclockwise to increase the flame size.



5. Replace control knob and recheck the low flame setting.
6. Repeat Step 1 - 5 to check and adjust the low-flame settings on the remaining burners.


Combustion flame quality



1. **Soft blue flames**—Normal for natural gas operation.
2. **Yellow tips on outer cones**—Normal for LP gas operation.
3. **Yellow flames**—Abnormal for any gas operation. Further adjustment required.

Additional low-flame check

1. Quickly open and close the cabinet door while the burner is on LO. (If the flame goes out, increase the low-flame setting, and repeat the test until the flame stabilizes.)
2. Quickly turn the knob from HI to the lowest setting. (If the flame goes out at the lowest setting, increase the low-flame setting, and repeat the test until the flame stabilizes.)

DG68-00926A-00 

dacor[®]