



Installation Instructions

Built-In Wine Cellar

DRW24980RAP/LAP

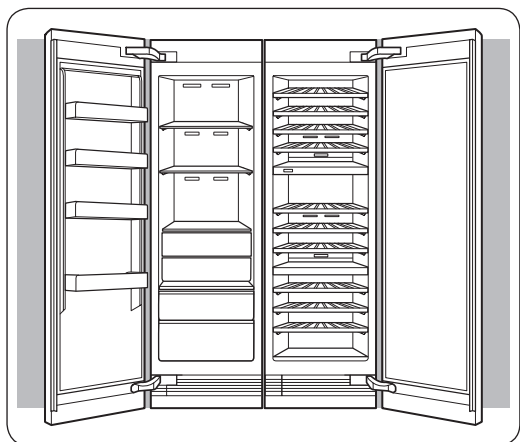
Contents

Before You Begin	4
Important	4
Customer-Service Information	5
If You Need Help	5
Important Safety Instructions	6
State of California Proposition 65 Warning (US only)	6
General Safety Precautions	7
Safety and Warning Information	11
Installation Safety	11
Installation Specifications	13
Installation Options	14
Product Specifications	16
Custom Panel Specifications	17
Handle Specifications	18
Installation	20
Installation Requirements	21
Installation Preparation	21
Grounding the Wine Cellar	24
Cabinet Special Requirements	25

Installation Instructions	26
1. Uncrating the Wine Cellar	26
2. Moving the Wine Cellar	27
3. Installation Preparation	28
4. Attaching the Anti-tip-Bracket	28
5. Removing Upper Door Cover, Kickplate	31
6. Attaching Insulators on the Side of the Wine Cellar	
- Single Installation	34
7. Attaching insulators on the side of the freezer or fridge or Wine Cellar	
- Side-by-side (Pair) Installation	35
8. Connecting the Two Chassis	38
9. Adjusting the door Opening Angle	39
10. Moving the Wine Cellar Into Its Enclosure	40
11. Removing Two Levers	42
12. Leveling the Wine Cellar	43
13. Attaching Two Levers	45
14. Attaching the Wine Cellar's Top Cover	46
15. Securing the Wine Cellar	47
16. Attaching the Custom-Door-Panel Brackets	48
17. Hanging a Custom Panel	50
18. Preparing the Panel for Adjustment	51
19. Aligning the Panel	52
20. Attaching the Door's Interior Covers	56
21. Attaching Grill, Kickplate and Toe Kickplate (optional)	59
22. Attaching the Wine Cellar Trim	61
23. Attaching Trim Top Cover	62
24. Assembling the Wine Rack	63
25. Disassembling the Wine Rack	66
26. Adjusting the Door Spring	67
27. Cleaning	67
28. Installation Checklist	68

Before You Begin

Important



- The overall design and/or accessories may differ with the model.

Installer

- To promote safety and minimize problems, read this manual thoroughly before starting the installation. Leave this manual with the user.
- Write the appliance's model/serial numbers in this manual for service/maintenance reference.
- Model/serial numbers are on the data label in the Wine Cellar compartment.

User

- Keep this manual for personal reference and for that of inspectors, service personnel, etc.

SAVE THESE INSTRUCTIONS

Customer-Service Information

If You Need Help

If you have questions or problems with installation, contact your Dacor® dealer or the Dacor Customer Assurance Team. If your Dacor appliance is under warranty, call Dacor Distinctive Service. Have the appliance's model/serial numbers available when you call. (These numbers are on the data label on the right-hand door jamb inside the refrigerator.)

Dacor Customer Assurance

Phone: 833-35-ELITE (833-353-5483) USA, Canada

Mon - Fri 5:00 a.m. to 5:00 p.m. Pacific Time

Website: www.dacor.com/customer-care/contact-us

insert here: Product Information: knowledgebase.dacor.com

All specifications are subject to change without notice. Dacor assumes no liability for changes to specifications.

© 2017 Dacor, all rights reserved.

SAVE THESE INSTRUCTIONS

Important Safety Instructions

The Important safety instructions and warnings in these instructions are not meant to cover all possible problems and conditions that can occur.

Use common sense and caution when installing, maintaining, or operating this or any other appliance.

Always contact the Dacor Customer Assurance Team about problems and conditions that you don't understand. See **Customer-Service Information**.

Safety symbols and labels

These alerts are meant to bring attention to important areas in the manual.

Whenever you see these symbols or labels, read the message carefully before continuing.

DANGER

Immediate hazards that **WILL** cause severe personal injury or death.

WARNING

Hazards or unsafe practices that **MAY** cause in severe personal injury or death.

CAUTION

Hazards or unsafe practices that **MAY** cause in minor personal injury or property damage.

State of California Proposition 65 Warning (US only)

WARNING : This product contains chemicals known to the State of California to cause cancer and birth defects or other reproductive harm.

SAVE THESE INSTRUCTIONS

WARNING - R600a Refrigerant

This appliance contains isobutane refrigerant, R600a, a natural gas with high environmental compatibility; however, it is also flammable. Please adhere to the warnings below

- When handling, installing and operating the appliance, care should be taken to avoid damage to the refrigerant tubing.
- Servicing shall be performed by manufacture-authorized service personnel and component parts shall be replaced with manufacturer-authorized replacement components.
- Refrigeration products contain refrigerants, which under federal law must be removed prior to product disposal.
- Keep ventilation openings in the appliance enclosures or in the built-in structure clear of obstruction.
- In order to avoid the creation of a flammable gas-air mixture if a leak in the refrigerating circuit occurs, the size of the room in which the appliance may be sited depends on the amount of refrigerant used. The room must be 35.3 ft³ in size for every 8 g of R-600a refrigerant inside the appliance.
- The installation location should not be exposed to direct sunlight and avoid placing near any electric appliances or heat source, e.g. stove, cooktop, oven, or radiator, etc.
- If you use two products side by side, for safety reason, be sure to use certified products in explosive gas atmospheres.
- Do not use mechanical devices or other means to accelerate the defrosting process.
- Do not damage the refrigerant circuit.
- Do not use electrical appliances inside the food storage compartment of the appliance.

General Safety Precautions

DANGER

IMPORTANT:

To prevent child entrapment and suffocation when discarding an old appliance:

- Take off the door(s).
- Leave the racks in place so children cannot easily climb inside.
- Cut the prongs off the power plug and discard them.
- Cut the power cable off and discard it separately from the old appliance.

SAVE THESE INSTRUCTIONS

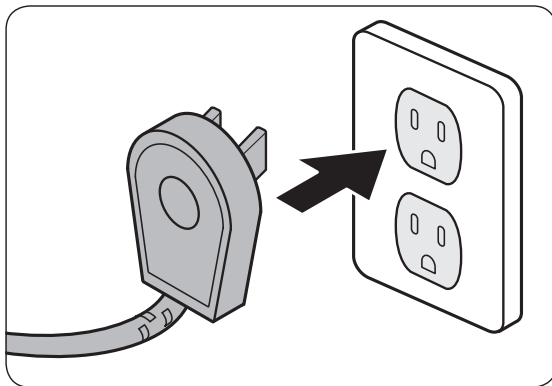
Important Safety Instructions

To avoid the possibility of explosion or fire, do not store or use combustible, flammable or explosive vapors and liquids (such as gasoline) inside or in the vicinity of this or any other appliance. Also keep items that could explode, such as aerosol cans away from cooktop burners, ovens and range hoods. Do not store flammable or explosive materials in adjacent cabinets or areas.

WARNING

IMPORTANT: This appliance is equipped with a three-prong grounding electric plug for protection against possible electric shock hazards. It must be plugged into a dedicated, grounded, electrical outlet. If only a two-prong electrical outlet is available, it is the responsibility of the customer to have it replaced with a dedicated, properly grounded three-prong electrical outlet.

- Do not kink or pinch the power supply cord of the appliance.
- Never unplug the appliance by pulling on the power cord.
- Always grip the plug firmly and pull straight out from the electrical outlet.
- Disconnect this appliance when not in use.
- Do not install, repair, modify, or replace any part of the appliance unless specifically recommended in the literature accompanying it.
- A qualified service technician should perform all other services.



DO NOT cut or remove the third (ground) prong from the power cord.

DO NOT use an adapter plug.

DO NOT use a power cord that is frayed or damaged.

DO NOT connect the appliance to an extension cord. Keep the power cord away from heated surfaces.

NOTE

- Use of an electrical outlet with a ground.
- Use of an electrical outlet with a ground fault interrupter (GFI) is not recommended.

SAVE THESE INSTRUCTIONS

WARNING

- To reduce the risk of fire, electric shock, serious injury or death when using your appliance, follow basic safety precautions, including the following:
- If you receive a damaged product, immediately contact your dealer or builder. Do not install or use a damaged appliance.
- Make sure that this appliance has been properly installed according to these installation instructions.
- Make sure to install in outlet locations according to electric supply location.
- Refrigeration equipment and refrigerants must be properly disposed of in a professional and appropriate way, in accordance with the current local regulations and laws which protect the environment. This applies to your old appliance and to your new unit once it has reached the end of its service life. DO NOT dispose of the appliance in a landfill or with urban waste. Contact local waste disposal centers for information on how to dispose of recyclable waste.
- Take care when handling, moving, using or disposing of the appliance to avoid damaging the refrigeration system.
- Do not install or use outdoors or in wet conditions. This appliance is not designed for installation in a recreational vehicle or boat.
- Keep packaging materials away from children. Plastic sheets and bags can cause suffocation.
- Connect this appliance to a 115 V, 15 A. circuit that is controlled by a circuit breaker or fuse. This appliance should have its own separate grounded circuit.
- Do not kink or pinch the power supply cord of the appliance. Never unplug the appliance by pulling on the power cord. Always grip the plug firmly and pull straight out from the electrical outlet.
- Disconnect this appliance when not in use.
- Do not install, repair, modify, or replace any part of the appliance unless specifically recommended in the literature accompanying it. A qualified service technician should perform all other services.
- Before performing any type of service, switch power off at the circuit breaker panel.
- This appliance is not intended for use by persons (including children) with reduced physical, sensory abilities, or lack of experience and knowledge, unless they are properly supervised by a person responsible for their safety. Children must be supervised for their safety.
- Never allow anyone, including children to sit, stand or climb on any part of the appliance, including the door. Doing so may cause damage, serious injury or death.

SAVE THESE INSTRUCTIONS

Important Safety Instructions

- If the power cord is damaged, it must be replaced by the manufacturer or a qualified service technician in order to avoid a safety hazard. Do not tamper with the controls.
- Clean this appliance regularly as instructed in the Care and Cleaning section of the User manual. Clean the ice bucket or drawer regularly.
- When the freezer is functioning, do not touch the inner stainless steel surfaces with wet or damp hands, since skin may stick to the very cold surfaces.
- Do not use any type of electrical equipment inside the wine cellar compartments.
- Do not obstruct any of the vents or openings on the appliance.
- To avoid risk of the appliance tipping over it is mandatory to secure the appliance to the wall by means of the two supplied anti-tip brackets.
- Use this appliance only for its intended purpose: the storage of food and beverages. It is not intended for commercial or industrial use.
- Be careful when installing electrical component box is damaged or not by the shock departure.
- Hold the handle when opening and closing the door.
- When you open and close the door, be careful not to put your hands in the doorway.

SAVE THESE INSTRUCTIONS

Safety and Warning Information

Installation Safety

WARNING

- Before installing the wine cellar, connect it to a power outlet and turn the wine cellar ON to make sure the wine cellar is working.
- Choose a location away from a heater, boiler, or direct sunlight.
- Install the unit where air flows freely and where the wine cellar is well ventilated.
- Install the unit so that air flows unobstructed through the front air grill. If the air circulation is not ensured, it may interfere with the normal functioning of the product.
- Outside animals (rodents) can chew on the power cord and cause a fire; therefore, install the unit where there is no access to animals.
- If the cabinet is made of soft material (ex: plaster, etc.), it can have a weak structure and be damaged. Therefore, use a cabinet made of sturdy, strong material.
- Install the wine cellar with a team of at least 2 people.
- Refer to the dimensions of the cabinet and prepare the cabinet with good air circulation.
- Use cabinet that will not warp from product heat emissions or humidity from the opening and closing of the wine cellar.

NOTE

This wine cellar is a “built-in” style wine cellar, meaning that the wine cellar requires installation inside a recess in existing kitchen cabinetry.

Before moving the wine cellar, clear the route to the location where it will be installed.

Check all product dimensions and the tipping radius with any doorways, hallways, stairs, corners, etc., to ensure a clear passageway.

WARNING



Tip Hazard

This appliance is relatively heavy on the top and prone to tip over when not securely installed.

Keep doors taped closed until wine cellar is in its final position and ready to be secured in place.

Use two or more people to move and install wine cellar.

Failure to do so can result in death or serious injury.

Safety and Warning Information

 **DANGER**



Explosion Risk

Keep flammable materials and vapors - such as gasoline - away from the wine cellar.
Failure to do so can result in death, explosion, or fire.

Installation Specifications

WARNING

Observe all governing codes and ordinances during planning and installation. Contact your local building department for further information.

WARNING

Electrical and grounding connections must comply with the applicable portions of the national electrical code and/or other local electrical codes.

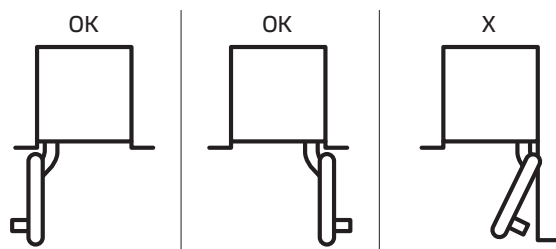
This appliance comes with an electrical cord with a three-prong grounding plug for a 115 Vac, 15 Amp. power supply. Plug it into a 115 Vac, three-prong, grounding electrical outlet only.

The appliance features a lighting system with high intensity LED lamps. Do not stare into these lamps when they are on to avoid possible eyesight damage.

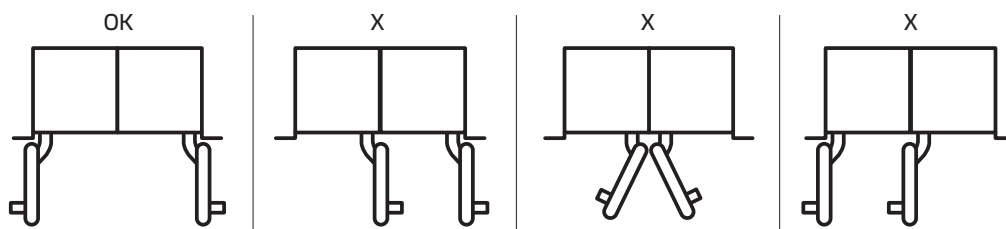
Installation Options

There are many different installation options.
These are limited only by the design of the kitchen.

Individual appliance



Side-by-Side (Pair)



Individual appliances with partition

NOTE

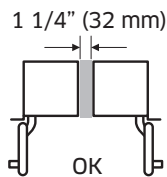
- The minimum thickness of the partition is 1 1/4" (32 mm).
- At 1 1/4" (32 mm), the door swings must open towards as case 1.
- At more than 1 9/16" (40 mm), the door swing can open same direction and door open angle is 90 degree as case 2.

At more than 7 7/8" (200 mm), the door swing can open toward each other and door open angle is 90 degree as case 3.

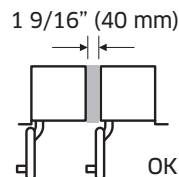
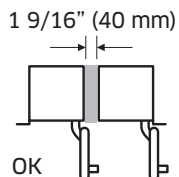
For this installation option it is recommend to install the 90 degree door stop. In order to minimize the partition thickness.

If a 115 degree door opening angle is desired, Distance of "F" (16 page) for a partition thickness is recommended.

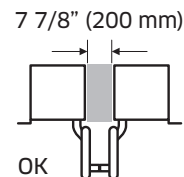
- Partition thickness is dependent on handle depth. Dimension above is acceptable for Dacor handles.



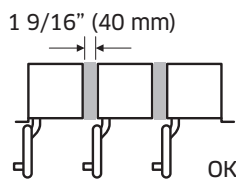
Case 1



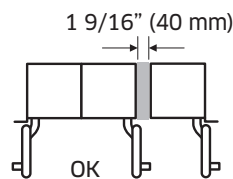
Case 2



Case 3

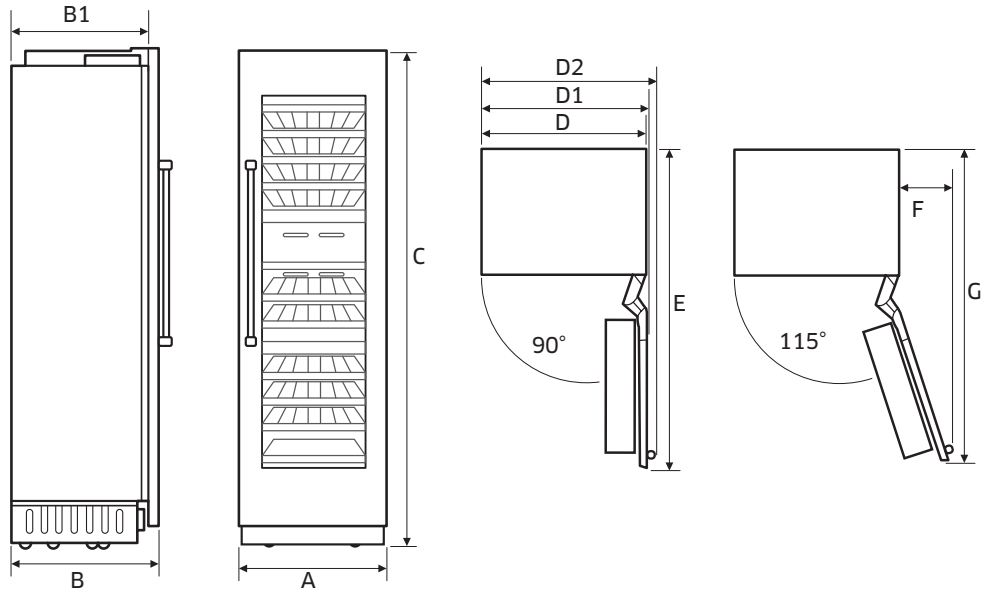


All doors swings are recommended to be on the same side.



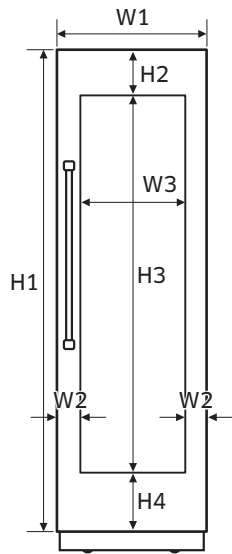
The door swing of the individual column must open the same way as the door swing of the side-by-side.

Product Specifications



Callout	24"
A	23 3/4" (603 mm)
B (With Panel)	25" (635 mm)
B1 (Without Panel)	23 13/16" (605 mm)
C	83 3/8" (2118 mm)
D	23 5/8" (600 mm)
D1	24 7/8" (631 mm)
D2	27 9/16" (701 mm)
E	50 3/4" (1289 mm)
F	13 11/16" (348 mm)
G	49 11/16" (1261 mm)

Custom Panel Specifications



Callout	24"
W1	23 3/4" (603 mm)
W2	3 9/32" (83.5 mm)
W3	17 5/32" (436 mm)
H1	79 7/8" (2029 mm)
H2	7 23/32" (196 mm)
H3	62 25/32" (1594.5 mm)
H4	9 3/8" (238.5 mm)
Panel Thickness	3/4" (19 mm)
Max Weight	55.0 lb (25 kg)

Do not exceed the max load that the custom panel can endure. Before crafting the panel, check the strength of the panel's material and the load of attachments to the panel.

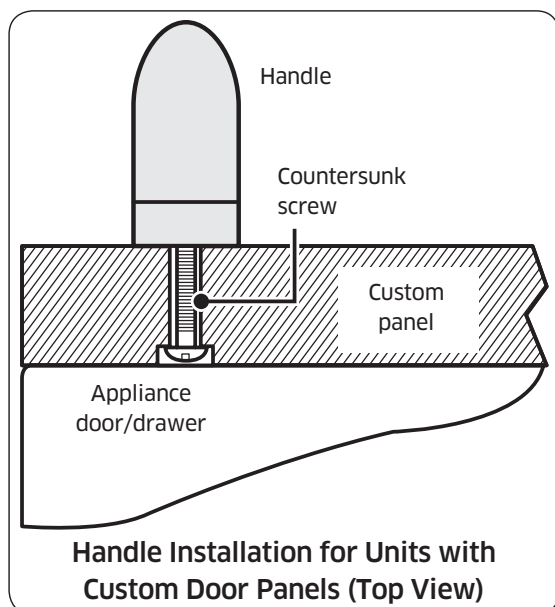
	24"
Custom Panel Maximum Weight	55.0 lb (25 kg)

NOTE

- Standard Custom panel thickness is 3/4" (19 mm).

Product Specifications

Handle Specifications



Before installing the custom panels, you must first install the door/drawer handles. With custom panel models, you have the advantage of being able to select a handle style that meets your own personal taste. Handles are not provided with custom panel models. Selected handle kits are available through your Dacor dealer. Dacor does not advise the use of single pull knobs.

The panel craftsman needs to select and purchase the required fasteners for the installation. The screw heads must be countersunk into the panel to prevent interference during depth adjustment.

CAUTION

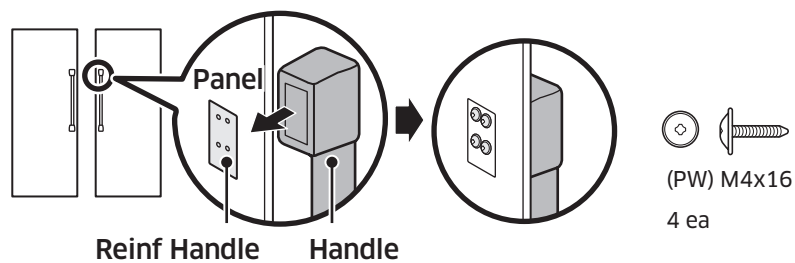
We recommend installing a handle for a custom panel. Without the handle, you may catch your fingers in the door when opening or closing the door.

Attach the Dacor Handle

WARNING

Follow these instructions to attach the Dacor handle. Otherwise, the handle may be damaged or malfunction.

1. Put the reinforced handle support on the rear of the door panel, and then put the handle on the front of the door panel.
2. As shown, tighten the 4 screws on each of the upper and the lower sides of the handle. Do not tighten them excessively.



Installation

WARNING

Do not install the appliance:

- outdoors,
- in an environment with dripping water.

Appliance is very heavy :

Wine Cellar 24" approx. 397 lb / 180 kg

Installation room

The appliance should be installed in a dry, ventilated room.

Secure installation

The appliance is very heavy and has a tendency to tilt forwards when the appliance door is opened.

Do not open the door until there is no possibility of the appliance tipping over.

The most secure way to install the appliance is to use the supplied anti-tipping devices.

Floor

The subsurface must be level and even in order to ensure that the appliance is securely installed and works correctly.

The subsurface must be made from a hard, non-flexible material to cover the weight of appliance.

Aligning the appliance

To ensure that the appliance functions correctly, it must be levelled properly.

Glass door

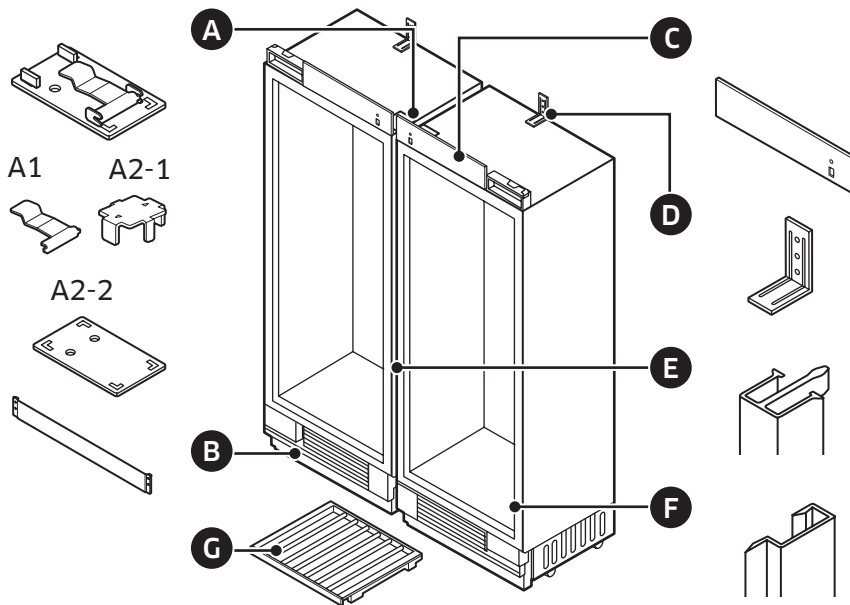
When moving or installing the appliance, be careful not to damage the glass door.

Installation Requirements

Installation Preparation

Cabinet installation parts

Using the table on next page, verify that all installation parts are present as you unpack the appliance.



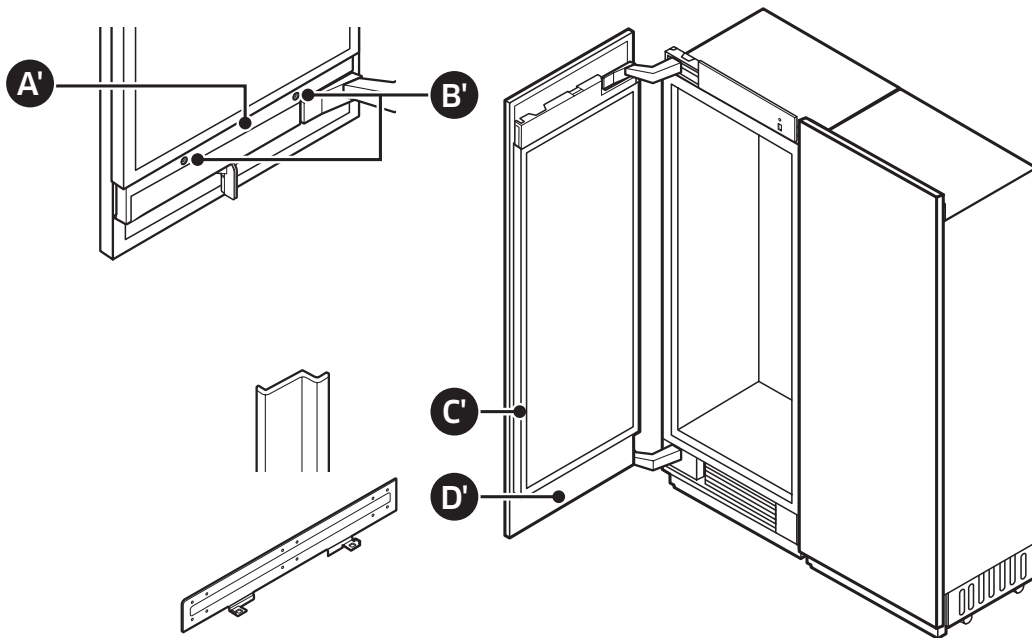
Check the installation parts when unpacking.

PARTS		SINGLE-INSTALLATION	PAIR-INSTALLATION	
A	A1	LEVER	-	2
	A2-1	LOWER BRACKET	-	1
	A2-2	UPPER BRACKET	-	1
B	KICKPLATE	1	2	
C	Refrigerator Top Cover	1	2	
D	ANTI-TIP BRACKET	18", 24", 30" : 1 36" : 2	18", 24", 30" : 2 36" : 4	
E	CENTER TRIM	-	1	
F	CABINET SIDE TRIM	2	2	
G	Wine Rack	10	20	

Installation Requirements

Door installation parts











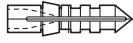
Using the table below, verify that all door-installation parts are present as you unpack the appliance.




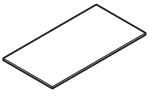
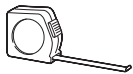


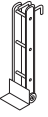
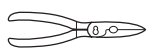
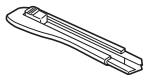




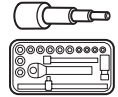

Check the installation parts when unpacking.

PARTS		SINGLE-INSTALLATION	PAIR-INSTALLATION
A'	LOWER DOOR CAP	1	2
B'	CAP	2	4
C'	DOOR SIDE TRIM	2	4
D'	PANEL BRACKET	2	4

Screw and Nut

		M6x12	12 ea			(FH) M4x14	22 ea
		(TH) M4x16	24 ea			M4x35	3 ea
		M13	2 ea			ø6x30	3 ea

Tools required

No.	Tool		No.	Tool	
1		Electric Screwdriver	8		Protective Floor Mat
2		Measuring Tape	9		Stepladder
3		Flat/Slot Head Screwdriver	10		Appliance Dolly
4		Cutter (Scissors)	11		Cutter
5		Adjustable Wrench	12		Level
6		Phillips Head Screwdriver	13		Star Head Screwdriver
7		Ratchet	14		Combination Wrench
		3/8" (10 mm), 1/2" (13 mm)			3/8" (10 mm), 1/2" (13 mm)

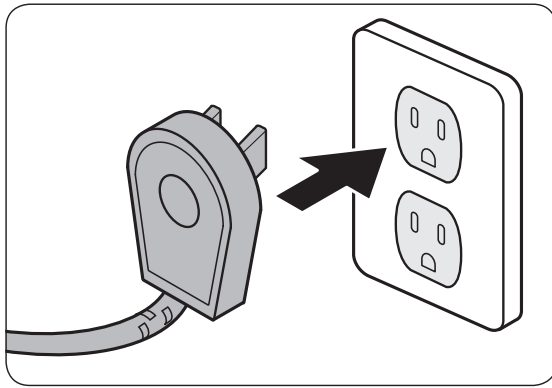
Installation Requirements

Grounding the Wine Cellar

CAUTION

Electrical and grounding connections must comply with the applicable portions of the national electrical code and/or other local electrical codes.

This appliance comes with an electrical cord with a three-prong grounding plug for a 115 Vac, 15 Amp. power supply. Plug it into a 115 Vac, three-prong, grounding electrical outlet only.



DO NOT, UNDER ANY CIRCUMSTANCES, CUT OR REMOVE THE THIRD (GROUND) PRONG FROM THE POWER CORD.
DO NOT USE AN ADAPTER PLUG TO CONNECT THE WINE CELLAR TO A 2-PRONG OUTLET.
DO NOT USE AN EXTENSION CORD WITH THIS APPLIANCE.

WARNING



Electric Shock Hazard

Plug into a grounded, dedicated 3-prong outlet.

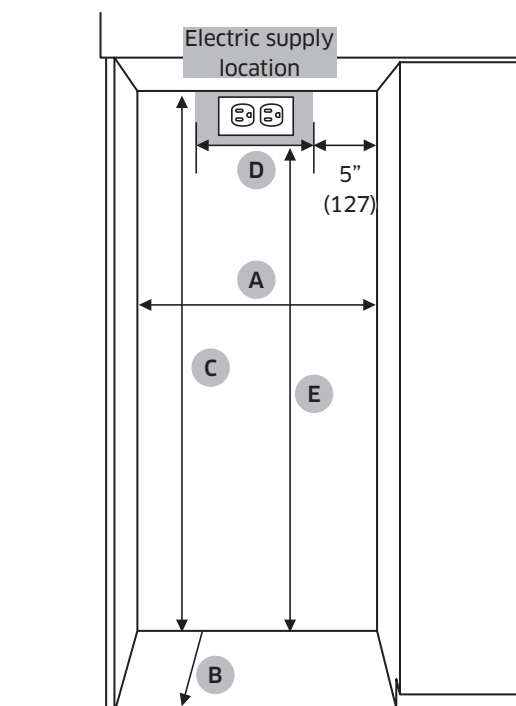
Do not remove the ground prong.

Do not use an adapter.

Do not use an extension cord.

Failure to follow these instructions can result in death, fire, or electric shock.

Cabinet Special Requirements



- A : Cabinet Width
- B : Cabinet Depth
- C : Cabinet Height
- D : Electrical supply width location
- E : Electrical supply height location

Callout	24"
A	24" (610 mm)
B	25" (635 mm)
C	84" (2134 mm)
D	14" (356 mm)
E	80" (2032 mm)

- B : Includes the standard door panel thickness with 3/4".
- Installation inside a cabinet of this width allows the wine cellar trim to be attached directly to the surrounding cabinets.

Installation Instructions

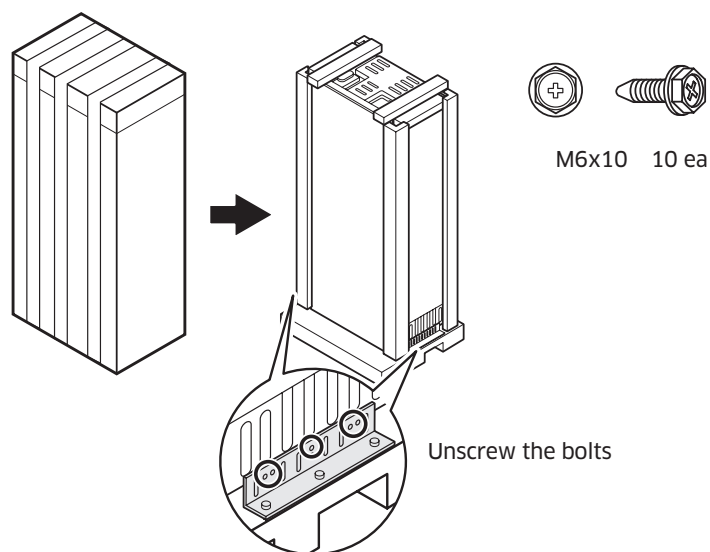
1. Uncrating the Wine Cellar

Check the appliance for transit damage.

Do not install the appliance if it is visibly damaged.

If in doubt, contact your dealer.

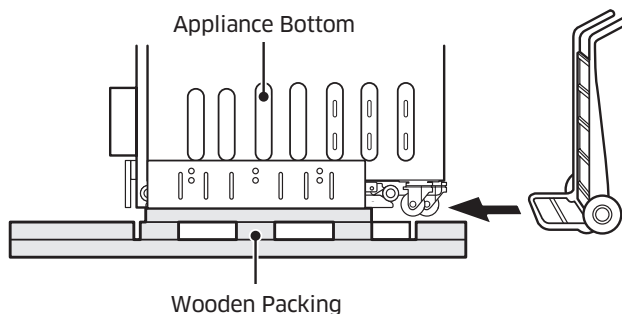
1. Remove the PP-banding, cardboard crate, EPS, and Pe-bag.
2. Remove the brackets from the pallet by unscrewing the bolts (five per bracket).



⚠ CAUTION

Use caution not to damage the appliance when unloading it from the pallet.

3. As shown, insert the hand truck between the appliance and the wooden packing. While tilting the appliance up to the rear, unload it from the wooden packing.



2. Moving the Wine Cellar

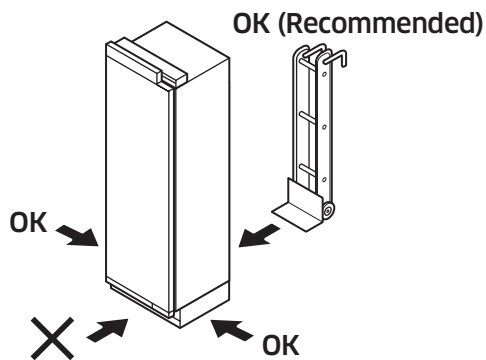
WARNING

The appliance is very heavy. When moving the refrigerator, all personnel must take care not to injure themselves or the appliance.

1. Secure the refrigerator to a suitable means of transport (preferably an appliance dolly), and move the refrigerator near its installation cabinet.
 2. Move and install with a minimum of two persons.
 3. Be very careful to avoid floor damage. Delicate flooring should be protected with plywood, hard cardboard, or similar material.
 4. Before moving the refrigerator, verify that it will fit through all door openings, stairwells, and overhead obstructions.
- **TIPPING HAZARD:** The refrigerator is large, heavy, and tips easily when not secured. Always move the refrigerator in an upright position if possible. If not, move the refrigerator on its back. Secure the doors shut during transport.

WARNING

Be careful that electrical component box is not damaged when installing.



Installation Instructions

3. Installation Preparation

Unpack installation materials and accessories.

See the Installation preparation section on Installation Requirement chapter.

4. Attaching the Anti-tip-Bracket

⚠ WARNING

To keep the unit from tipping forward, an anti-tip bracket must be installed. Before attaching the bracket, ensure that no electrical wiring or plumbing is in the area where the screws will penetrate. One such bracket per appliance is required.

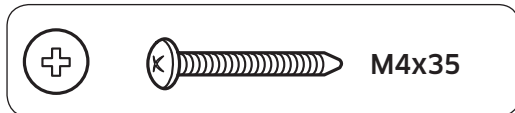
⚠ CAUTION

Always wear safety glasses and other necessary protective devices or apparel when installing or working with anchors.

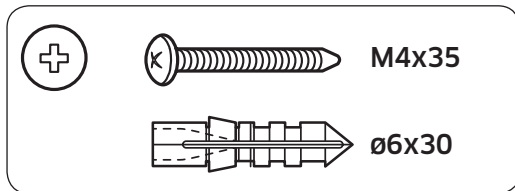
Dacor does not recommend that you anchor the anti-tip bracket in light-weight masonry (e.g., block, brick) or in new, uncured concrete.

Make sure the wall or the cabinet that the brackets are studded in has enough strength to withstand the safety load.

Wooden Wall



Concrete Wall



1. Bracket height is measured from the floor and depends on the cabinet height.

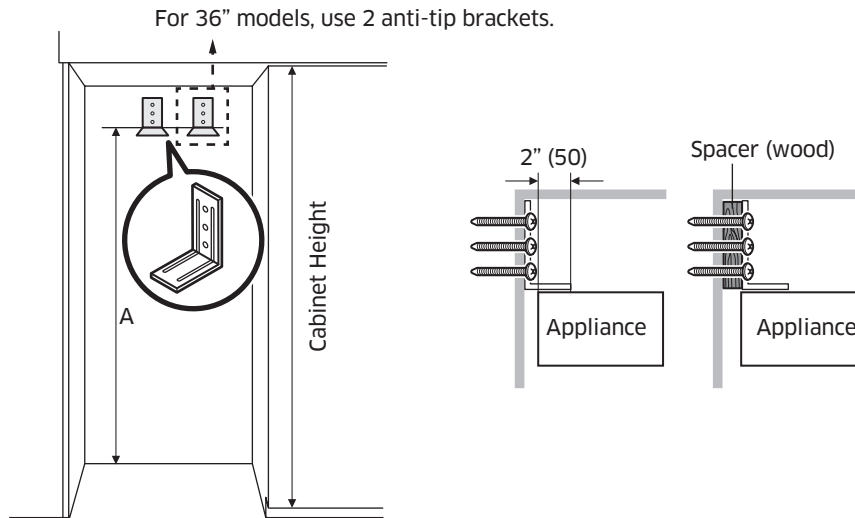
📄 NOTE

Bracket height





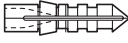
= Cabinet height - 4 3/32" (104 mm)

2. Attach the anti-tip brackets. Ensure the screws hold the bracket tightly.

The anti-tip brackets must extend at least 2" (50 mm) over the appliance to secure the appliance. If this minimum length cannot be observed for structural conditions it is possible to do this by fastening a spacer (wood) behind the anti-tip angle.



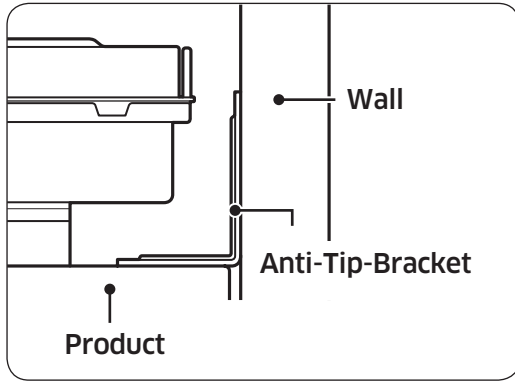
Option	Cabinet height	A
1	83 1/2" (2121 mm)	79 13/32" (2017 mm)
2	83 3/4" (2127 mm)	79 5/8" (2023 mm)
3	84" (2134 mm)	79 7/8" (2030 mm)
4	84 1/4" (2140 mm)	80 1/8" (2036 mm)

		24"
ANTI-TIP BRACKET		1 ea
wooden wall	  M4x35	3 ea
concrete wall	  M4x35	3 ea
	 ø6x30 (HOLDER LOCK)	3 ea

- 3 screws/holder locks per bracket.

Installation Instructions

Anti-tip bracket considerations

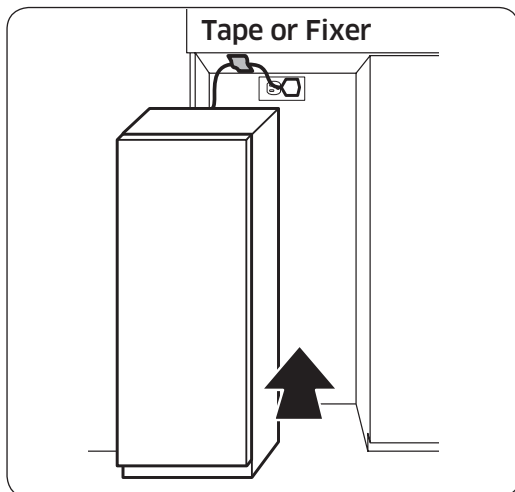


1. Bracket positioning: follow the cabinet-specific height table.
2. Screws: Tighten all 3 screws on the brackets.
3. Push the product up against the rear wall of the cabinet.
4. Spacer: If using the spacer, you must follow the positioning specifications of the bracket (see the table above).

⚠ CAUTION

- The height of the spacer must be calculated based on the depth of the cabinet.
- The spacer must be fixed separately from the cabinet.

When installing the product into the cabinet

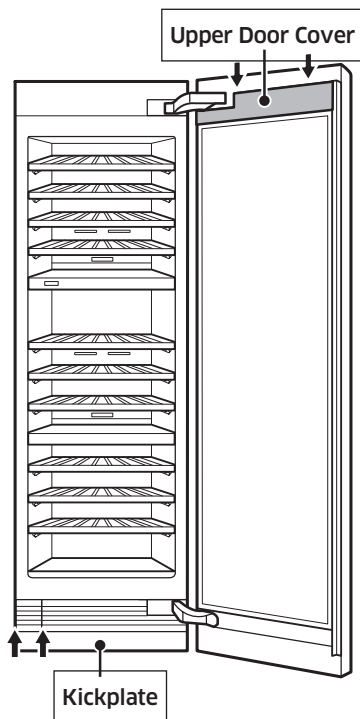


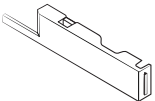


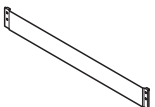


Before positioning the product in the cabinet, plug in the power cord. Then, attach the power cord near the front of the cabinet opening using tape or fixer such as clip, pin, etc.

After positioning the product inside the cabinet, make sure the power cord is positioned on the top of the product (as shown in the in the figure).

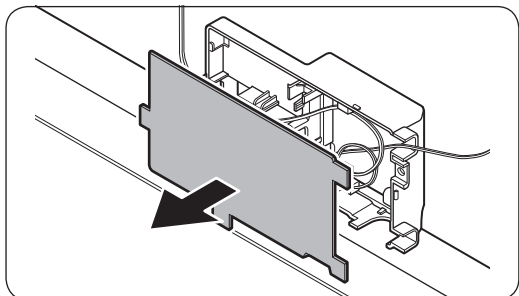
5. Removing Upper Door Cover, Kickplate

You need to remove the upper door cap and kickplate before you adjust the custom door panel.

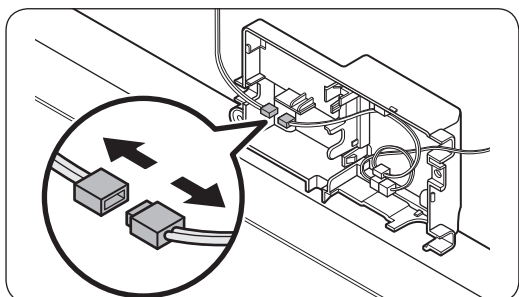


Upper Door Cover		 	M5x16	2 ea
Kickplate		 	M4x8	2 ea

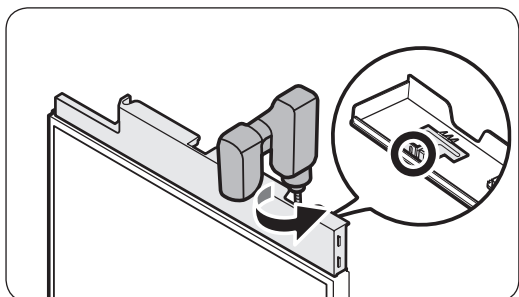
Installation Instructions



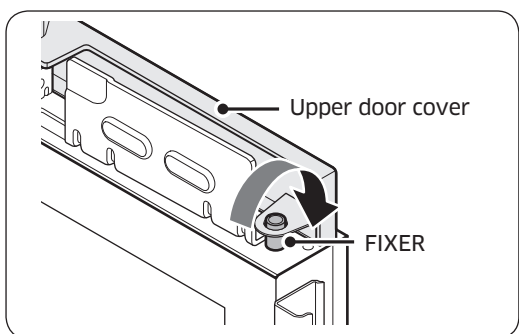
1. Remove the inner cover on the inner part of the upper door cover.



2. Disconnect the humidity sensor connector.

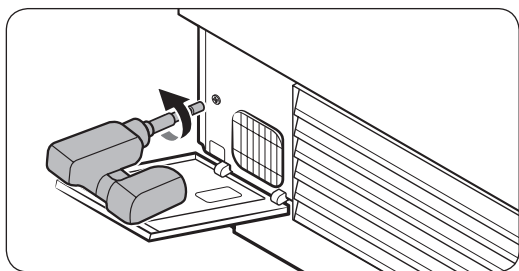


3. Remove the 2 screws fixing the upper door cover.

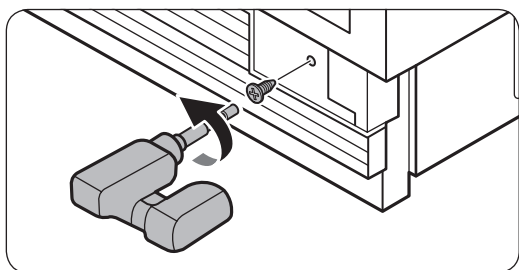


4. Remove the upper door cover from the fixers.

- Kickplate : For side-by-side installation, remove the grill cover. This is not applicable for standard one installation.

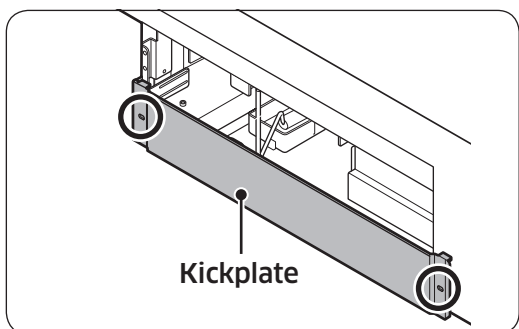


1. Push open the cover. Remove the screws on side and remove grill cover.



⚠ WARNING

Do not use impact drill. Can cause damage.



2. Remove the screws on both sides, and remove the kickplate.

Installation Instructions

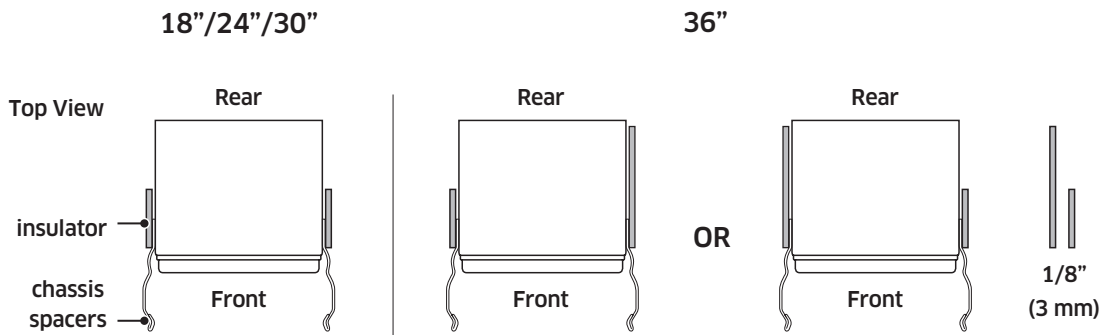
6. Attaching Insulators on the Side of the Wine Cellar - Single Installation

Attach 2 insulators on any one side of the freezer or the fridge. Make sure that 36" models have two different-sized insulators.

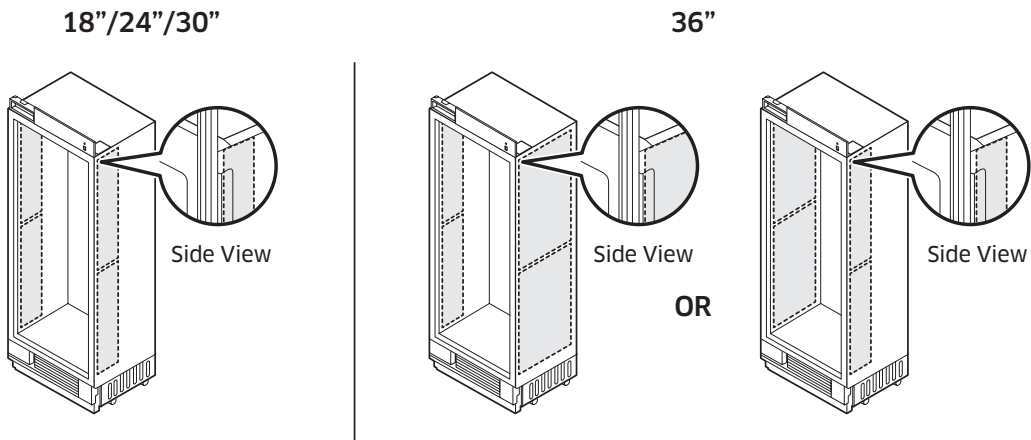
Check your model first, and then attach the insulators by referring to the figures below.

Attach the insulators to cover the screws on the chassis spacers.

Align the insulators with the end of the center chassis spacer.



See the figures below for the layout after the insulator is attached.



7. Attaching insulators on the side of the freezer or fridge or Wine Cellar - Side-by-side (Pair) Installation

Attach 2 insulators on any one side of the freezer or the fridge. The insulators are different in size according to the type. Check your model first, and then attach the insulators by referring to the figures below. Make sure a larger insulator is attached on the contact point.

Attach the insulators to cover the screws on the chassis spacers.

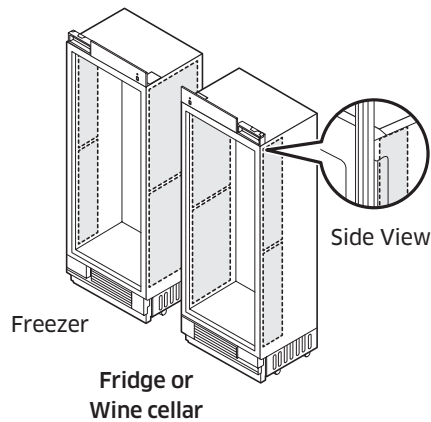
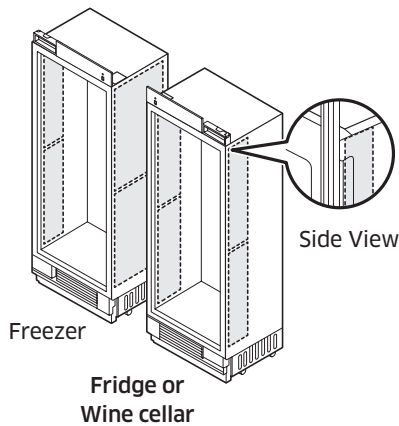
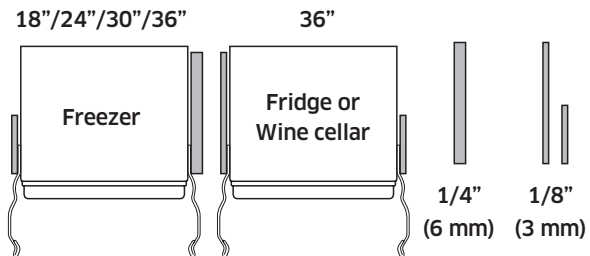
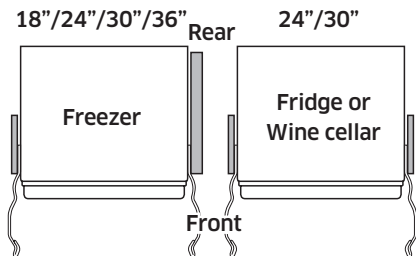
Align the insulators with the end of the center chassis spacer. When pairing is complete, the insulators may be visible.

Product placement

1. When a freezer is on the left-hand side

See the figures below for the layout after the insulator is attached.

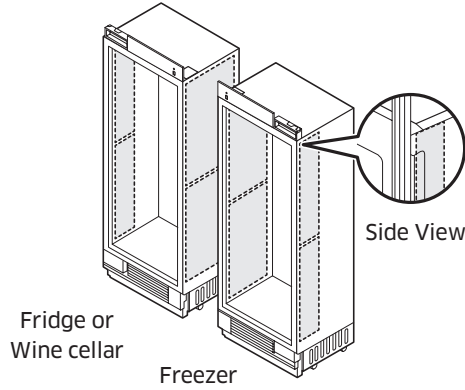
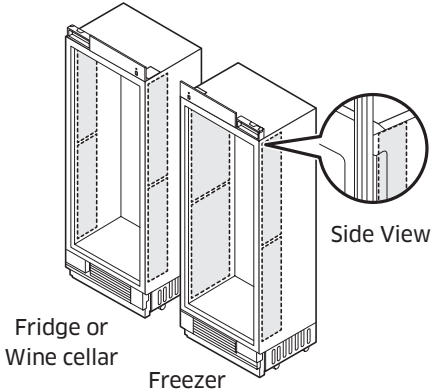
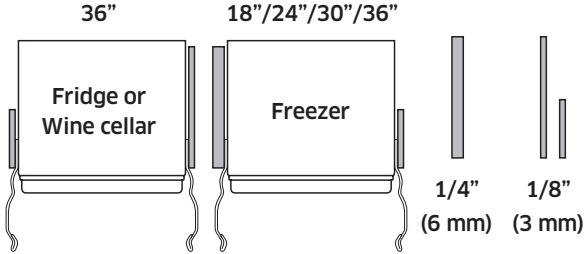
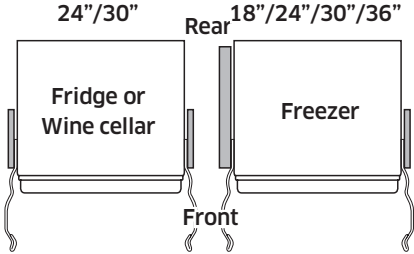
Top View



Installation Instructions

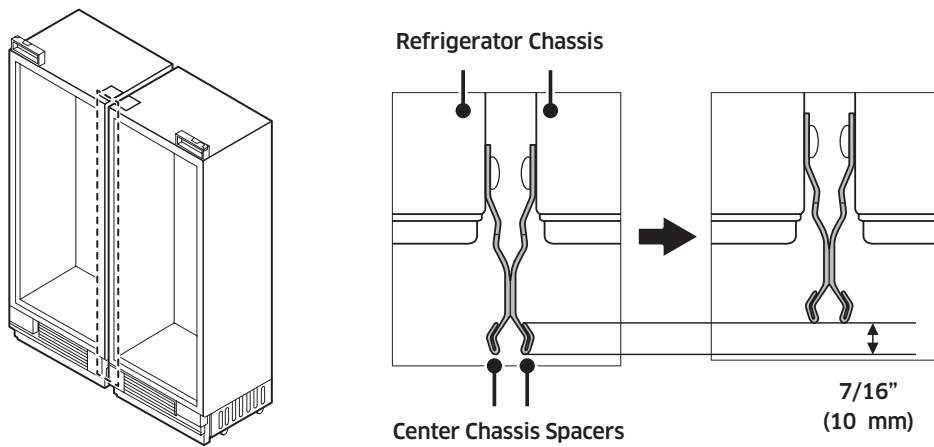
2. When a freezer is on the right-hand side
See the figures below for the layout after the insulator is attached.

Top View



Repositioning the Center Chassis Spacers

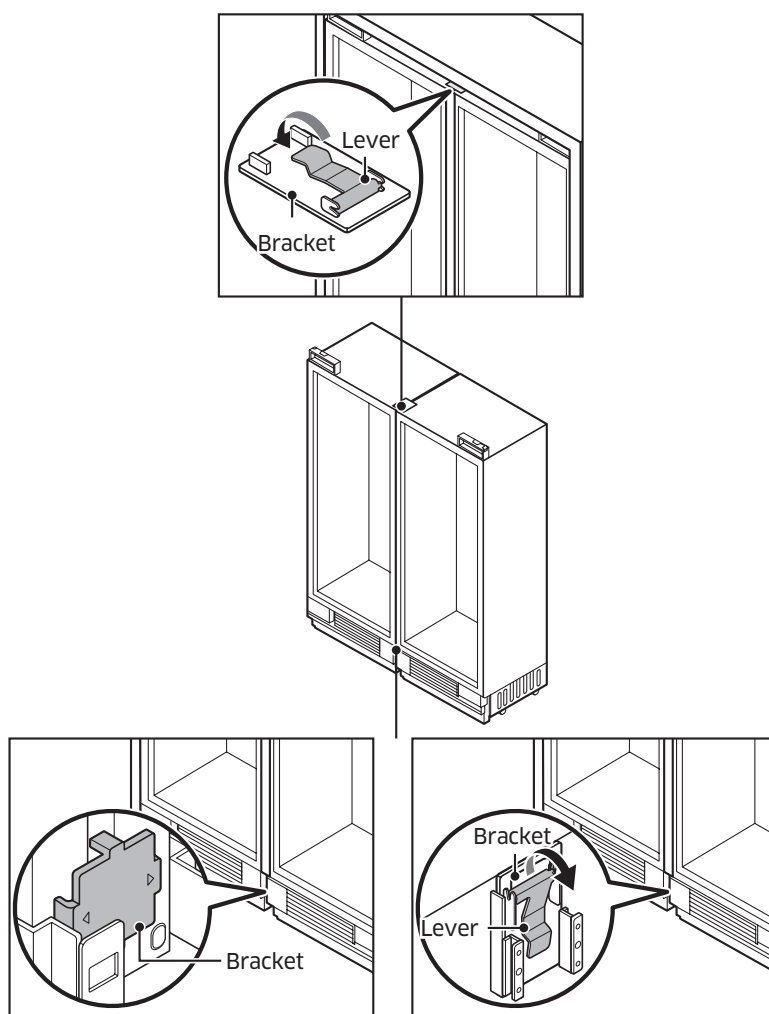
1. Remove the set's center chassis spacer.
2. Re-attach the spacers $7/16$ in. (10 mm) back from their original position (see graphic below).



Installation Instructions

8. Connecting the Two Chassis

1. Making the upper connection.
 - Attach the rectangular bracket to the protruding tabs on the top of each chassis (see the graphic).
 - Attach the lever to connect the two chassis.
2. Making the lower connection.
 - Insert the bracket in the groove at the bottom of the two chassis.
 - Attach the lever to connect the two chassis.



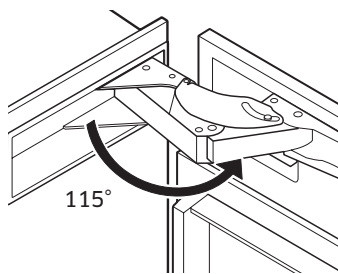
9. Adjusting the door Opening Angle

By factory default, the door opens by 115 degrees. You can use the limiter pin to adjust the opening angle down to 90 degrees, depending on the installation conditions.

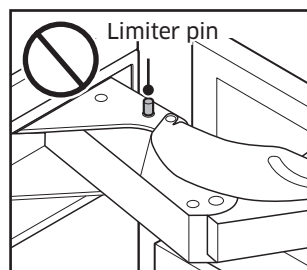
- Open the door to less than 90 degrees, and then completely insert the limiter pin through the top and bottom holes of the top hinge as shown in illustrations (1) and (2).
- Close the door and make sure the limiter pin does not interfere with the hinge cover.

CAUTION

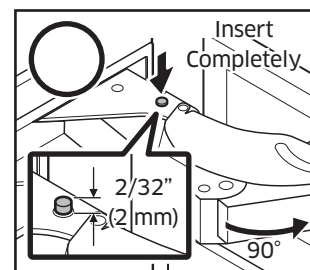
- Insert the limiter pin before putting the refrigerator into the cabinet.
- If the limiter pin is not inserted completely, the hinge and the hinge cover may get damaged.



Factory default 115°



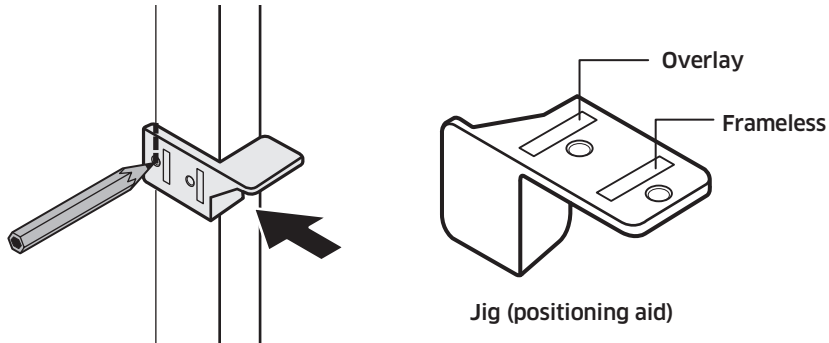
With limiter pin 90°



Installation Instructions

10. Moving the Wine Cellar Into Its Enclosure

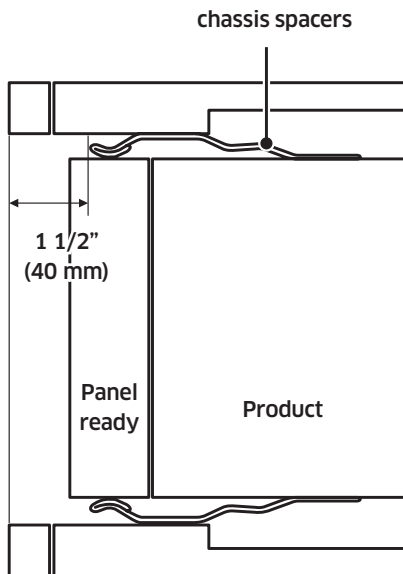
- According to the type of cabinet, a jig (positioning aid) can be used to align the refrigerator's custom door panel with cabinet by marking vertical line on the cabinet.



⚠ CAUTION

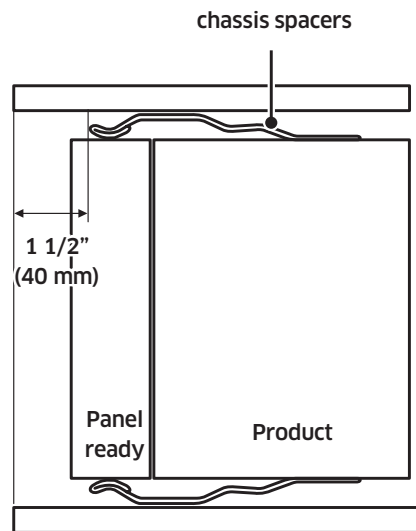
Make sure to position the front of chassis spacer so that it is aligned with the vertical line. Otherwise, the installed refrigerator will tilt and its door may not close fully. In addition, auto door open system may not work normally.

Overlay Type



Top view

Frameless Type



Top view

CAUTION

As you push the wine cellar into its enclosure, take care not to damage the power cord. The water hose must be fixed to the ground before pulled out to the front. Also, arrange the power cord behind the appliance to ensure that it is not stepped on or over.

WARNING

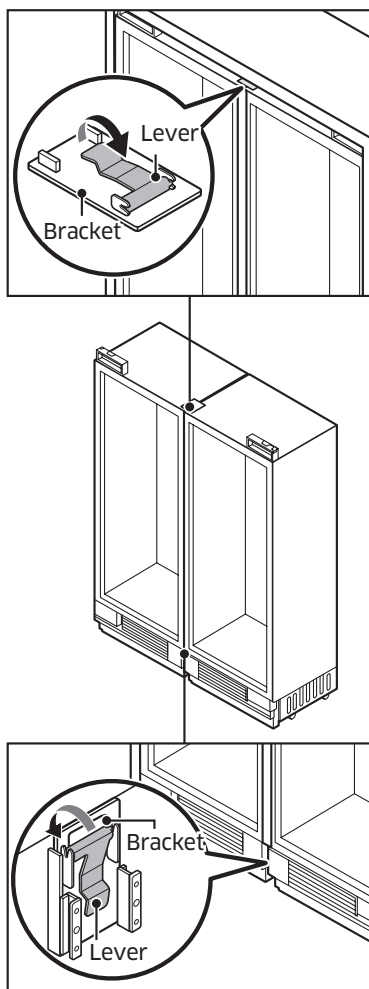
While moving the wine cellar, take care not to harm assisting personnel or the refrigerator itself.

1. Before moving the wine cellar, connect the power cord.
2. Place packaging cardboard or plywood in the refrigerator's path to protect the flooring while moving the appliance.
3. Carefully push the wine cellar into its enclosure.
4. Align the forward edge of the chassis spacer with the vertical line you marked on the cabinet.

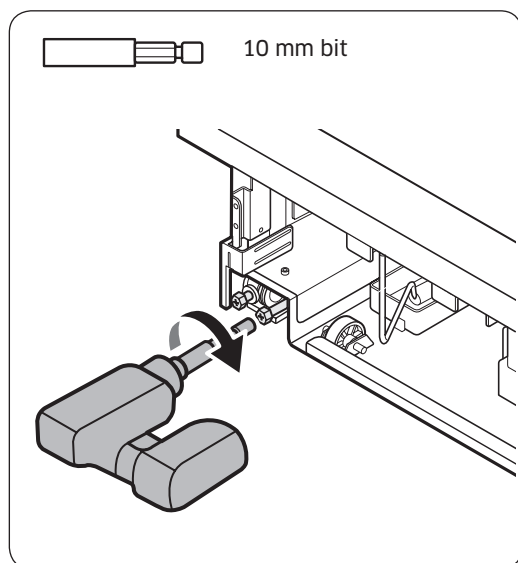
Installation Instructions

11. Removing Two Levers

- To facilitate leveling on the wine cellar, remove the top and bottom levers to unpair the chassis.
- To disassemble lower lever, use a screwdriver by force.



12. Leveling the Wine Cellar



1. Using your drill and the bit shown below, engage each of the refrigerator's adjuster shafts in turn, and level the refrigerator. (CW \uparrow , CCW \downarrow)
2. Adjust the gap between the furniture and Refrigerator top cover to 1/8 in. (3 mm).

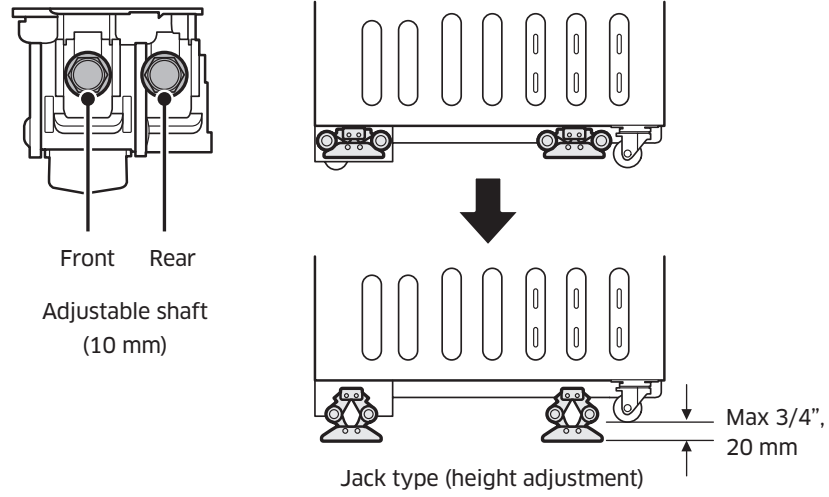
⚠ WARNING

Do not use impact drill. Can cause damage.

⚠ CAUTION

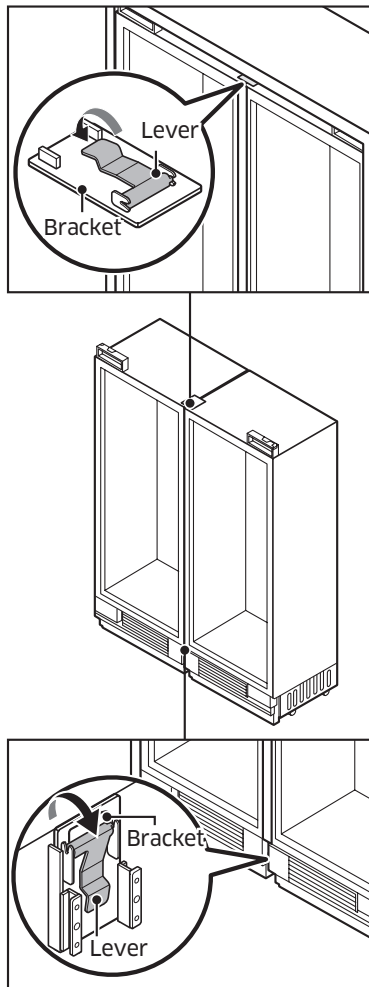
- The front and rear leveling legs have a maximum height adjustment of 3/4" (20 mm).
- To further raise the refrigerator, put the refrigerator on top of a sheet of plywood or runners.
- Raising the refrigerator above 3/4" (20 mm) will damage the front and rear leveling components.
- When pairing is complete, make sure to level both appliances simultaneously. Do not level them sequentially one after the other. Otherwise, the jack may not operate properly.

Installation Instructions



13. Attaching Two Levers

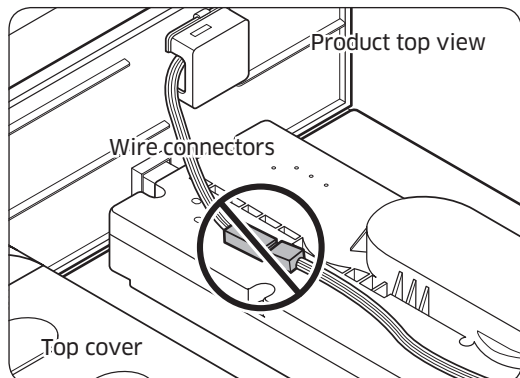
- Attach the top and bottom levers to pair the chassis.



Installation Instructions

14. Attaching the Wine Cellar's Top Cover

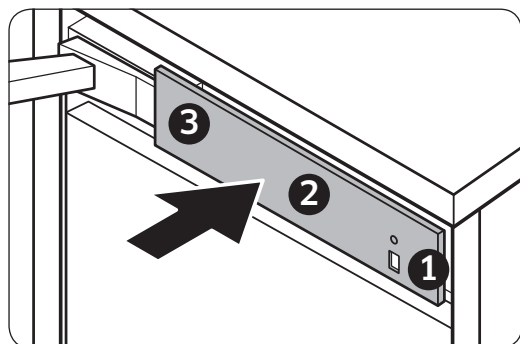
The light intensity sensor is attached to the top cover. The wine cellar does not use the light intensity sensor, therefore do not connect the sensor connector.



1. Connect the wires for electric parts from around the Auto Door Open kit, and then insert the wires in the rectangular pipe.

CAUTION

Be careful not to damage the wires.



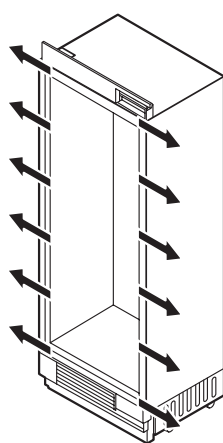
2. To attach the top cover, fix the hooks in the order of the numbers as shown in the figure.

15. Securing the Wine Cellar

Secure the refrigerator to its enclosure with (TH) M4x16 screws (6 screws per side, as shown in the graphic).

CAUTION

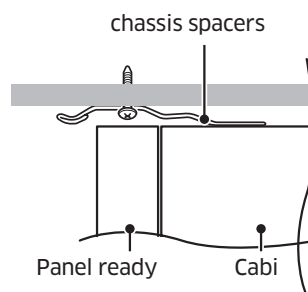
Make sure the appliance is level. If the appliance is not level, the wine rack may slide in or out.



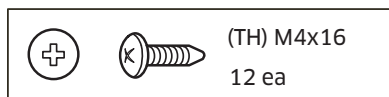
Fixed location



chassis
spacers

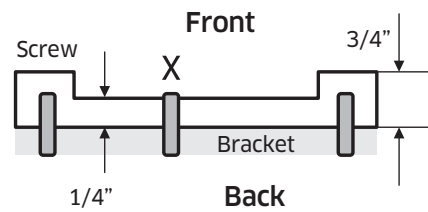
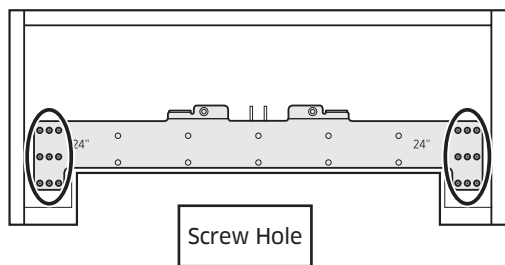


Top View



Custom Panel: Recessed Back, Other

If, by the nature of its design, the panel cannot be attached at the center of the bracket, use the whichever suitable screw holes on the sides of the bracket to attach the panel.



(FH) M4x14
20 ea
UPP : 10 ea / LOW : 10 ea

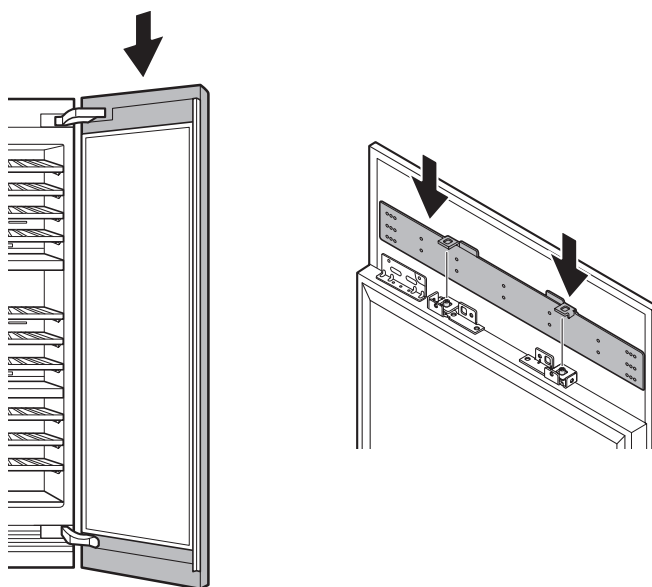
Installation Instructions

17. Hanging a Custom Panel

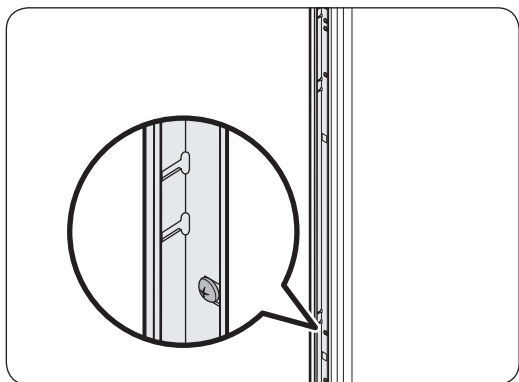
WARNING

If you install a custom panel before fixing the appliance to the cabinet, the custom panel can tip over. To prevent this, you must follow the installation instructions.

- Hang the panel bracket on the height adjustment screw. (See the graphic.)

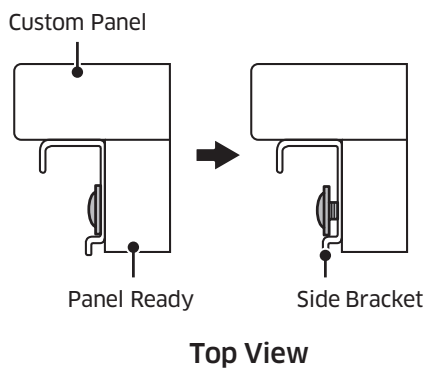
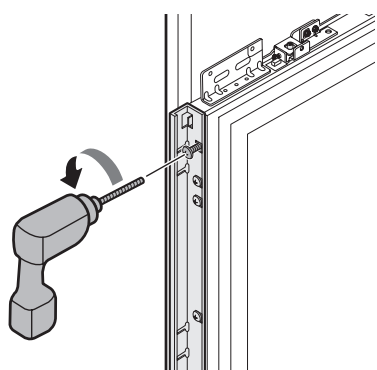


18. Preparing the Panel for Adjustment



1. Fix the custom panel temporarily onto the side of the door by tightening the screw in the center of the panel.

2. Loosen—but do not remove—the six screws on the side of the door so you can adjust the custom panel vertically.



(PW) M4x16

12 ea

Installation Instructions

19. Aligning the Panel

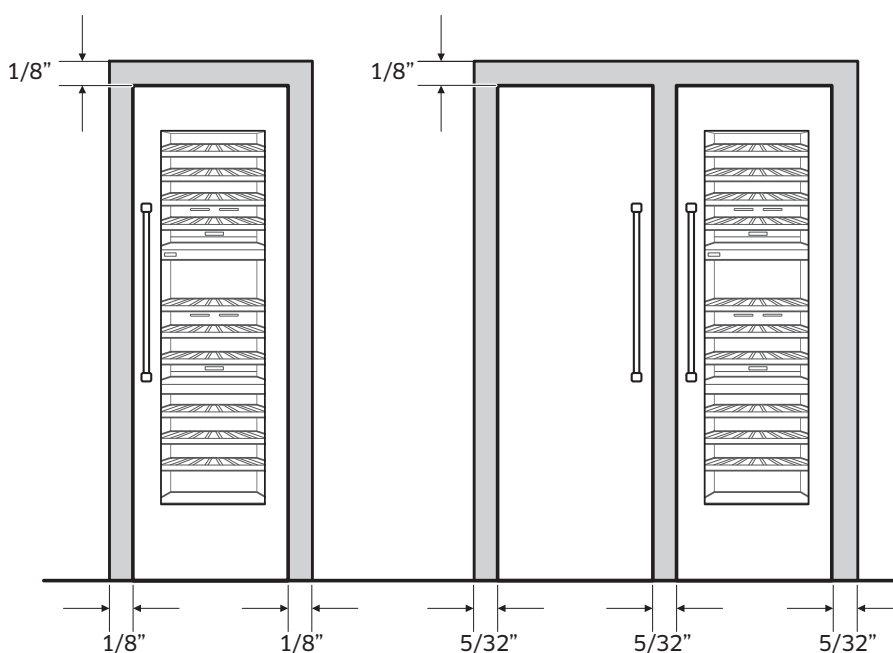
NOTE

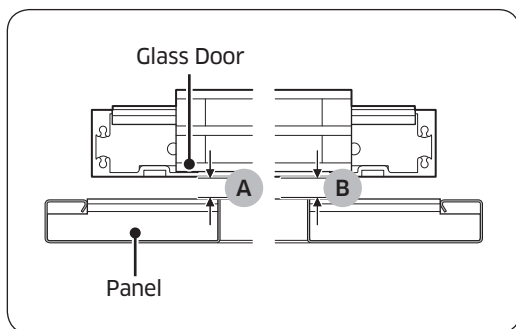
Each custom panel comes with 12 dedicated screws for fine-tuning. Use a minimum number of screws to fine-tune the custom panel with the cabinet. Once fine-tuning is complete, fix the custom panel with the top nut.

There are two panel-adjustment mechanisms at the top and two at the bottom of the door. Adjust the panel so it aligns with the surrounding cabinetry.

The gap between the cabinet and the panel must be:

- 1/8" (3 mm) on top
- 1/8" (3 mm) on the side for single installation
- 5/32" (4 mm) on the side for pair installation





The gap between the glass door and the panel must be same on all sides (top, bottom, left, and right) or the difference should be no more than 2/32" (2 mm). (For example, if **A** is 2 mm, **B** should not exceed 4 mm.)

Top of the Door

1. Use the double-threaded bolts to align the door panel.
2. Engage a side screw (see the graphic) to shift the panel side to side.
3. Engage Screw 1 (see the graphic) to shift the panel forward/backward; engage Screw 2 to set the panel in place.

Installation Instructions

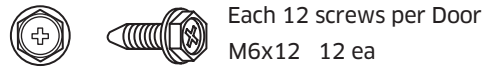
1. Engage Double Threaded Bolt (see the graphic) to shift the panel up and down.
2. Engage a side screw (see the graphic) to shift the panel side to side.

⚠ CAUTION

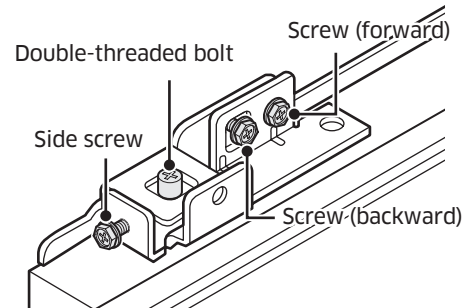
Be careful not to damage the wires when fastening the side screw.

3. Engage Screw (backward) (see the graphic) to shift the panel forward/backward; engage Screw (forward) to set the panel in place.

● Panel-adjustment mechanisms

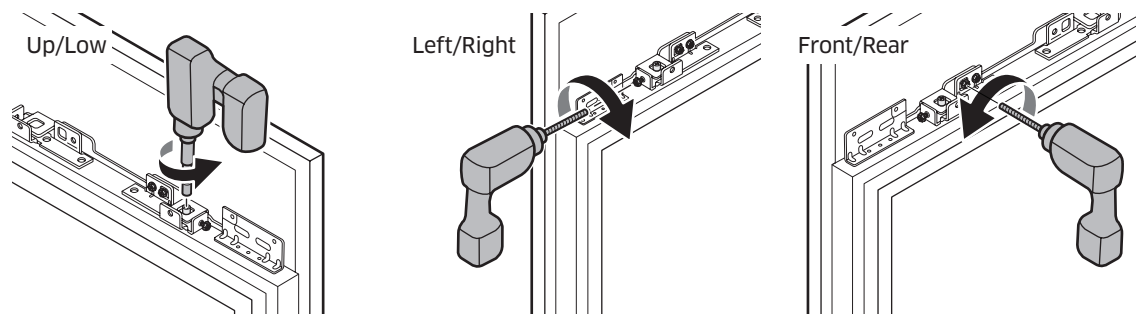


Each 12 screws per Door
M6x12 12 ea

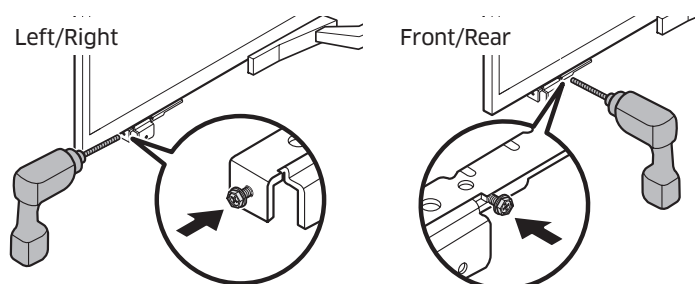


Panel-Adjustment Mechanism

Top of Door

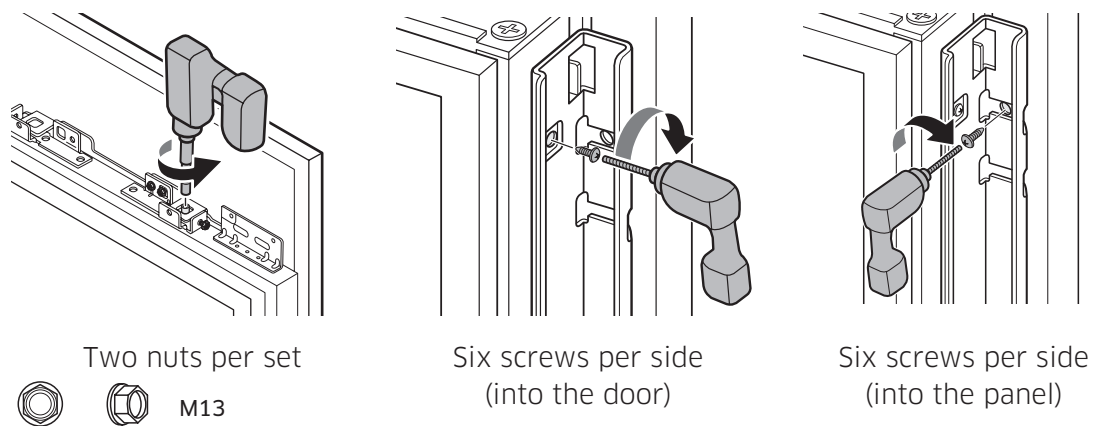


Bottom of Door



Attaching the Panel to the Door

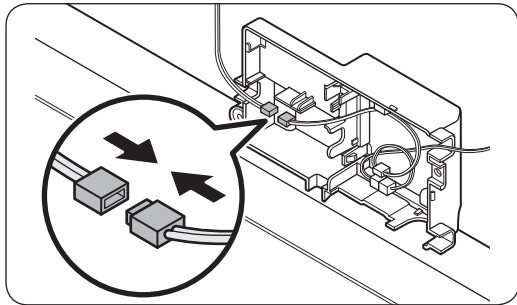
1. Screw nuts snugly onto the double-threaded bolts.
2. Fasten the screws to assemble the panel and the door as shown in the figure.



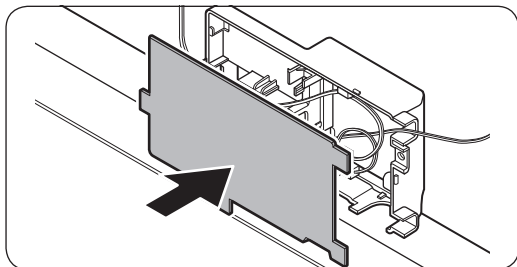
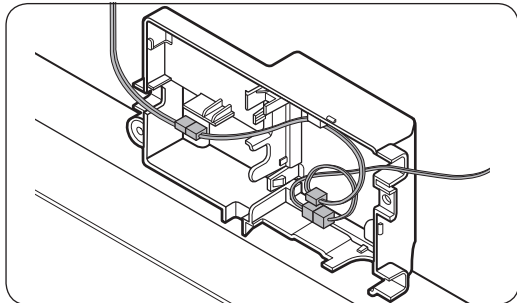
Installation Instructions

20. Attaching the Door's Interior Covers

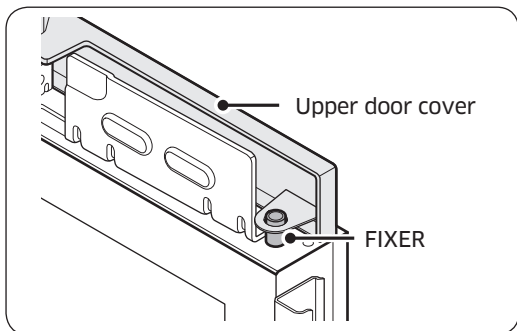
Upper Door Cover



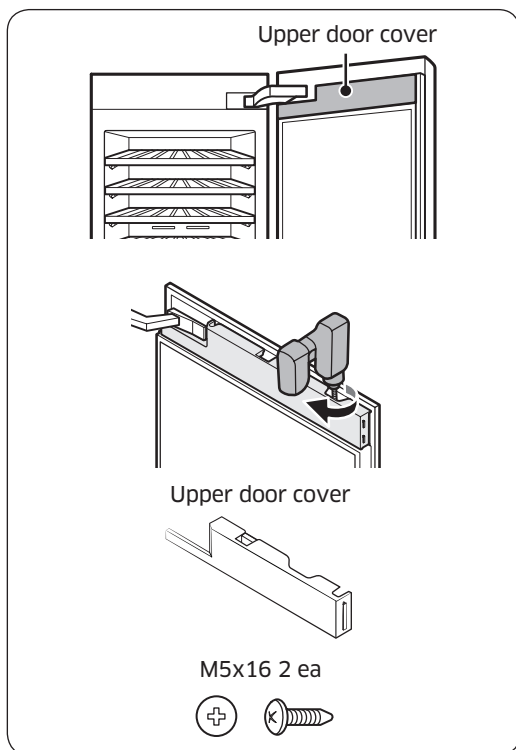
1. Connect the humidity sensor connector, and then arrange the wires as shown in the figure.



2. Assemble the inner cover.



3. Insert both side rings of the door cap of the upper door cover into the fixer.

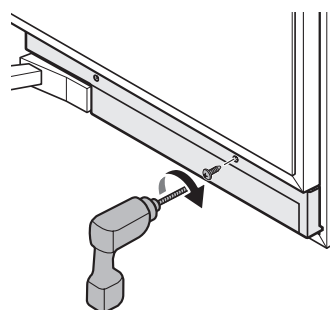
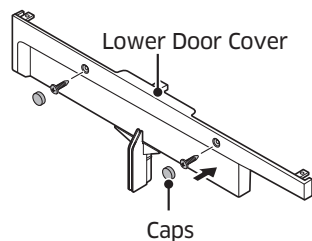


4. Fasten the 2 screws to fix the upper door cover.

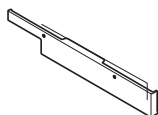
Installation Instructions

Lower Door Cover

1. Attach the air guide to the lower door cover (2 screws per set).
2. Attach the lower door cover by driving the screws from the front (2 screws per set).
3. Attach the caps over the screw holes.



Lower Door Cover



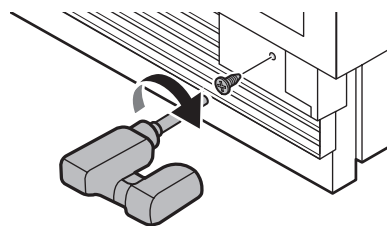
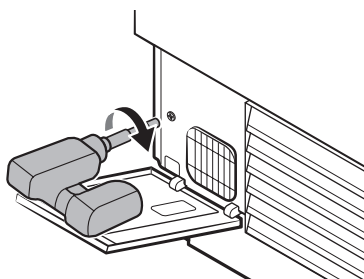
(FH) M4x14 2 ea



21. Attaching Grill, Kickplate and Toe Kickplate (optional)

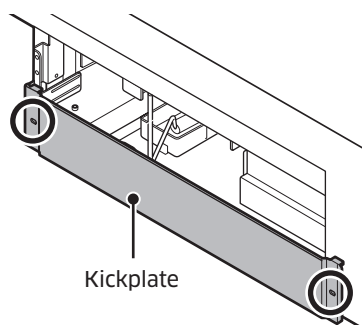
Attaching grill

- Drive the screws tightly on both sides to attach the grill. Otherwise, the door may not close fully.

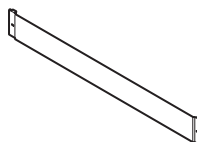


Attaching kickplate

- Drive the screws on both sides to attach the kickplate.



Kickplate



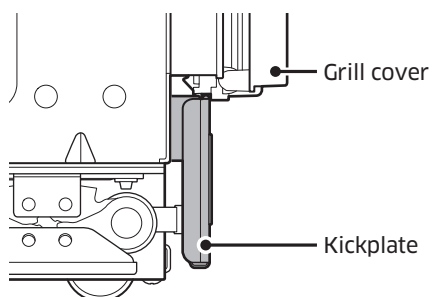
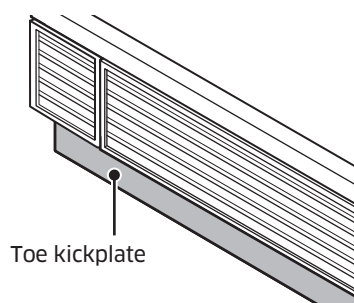
M4x8 2 ea



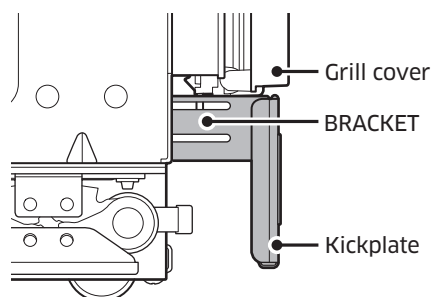
Installation Instructions

Attaching Toe kickplate

- The height of the product can be adjusted between 83 3/8" ~ 84 3/8".
- If you want to use the provided Dacor toe kickplate (4"), note that it was designed for a product height of 83 7/8" and cabinet height of 84".
- If you want to use a toe kickplate not provided by Dacor, adjust the height of the toe kickplate accordingly.
- You can extend the bracket to move the kickplate by a max of 32 mm to the front.



Factory default



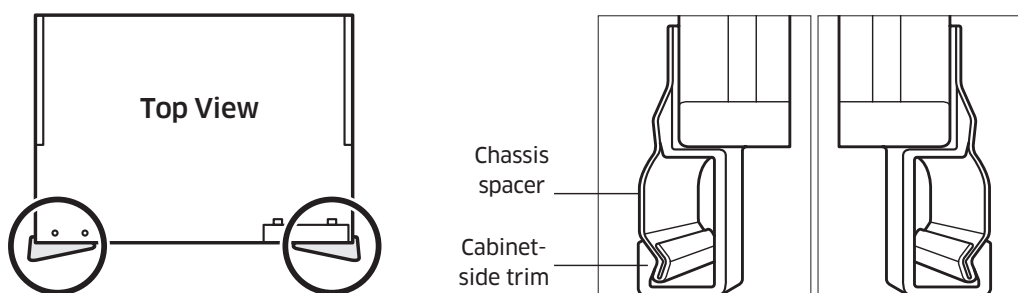
32 mm to the front

22. Attaching the Wine Cellar Trim

1. Cabinet-side trim: Attach the trim between the refrigerator and the cabinet.

⚠ WARNING

Please check again if there is any problem after installation.



2. Door-side trim: Attach trim to the door's side bracket.

- Refer to figure 1-① and secure the door side trim to the bracket. Make sure the trim is properly seated.
- Refer to figure 2-② and secure the door side trim to the door cover rib. Make sure the trim is properly secured without any gap in between on both the top (figure 2-③) and the bottom (figure 2-④).

⚠ WARNING

Please check again if there is any problem after installation.

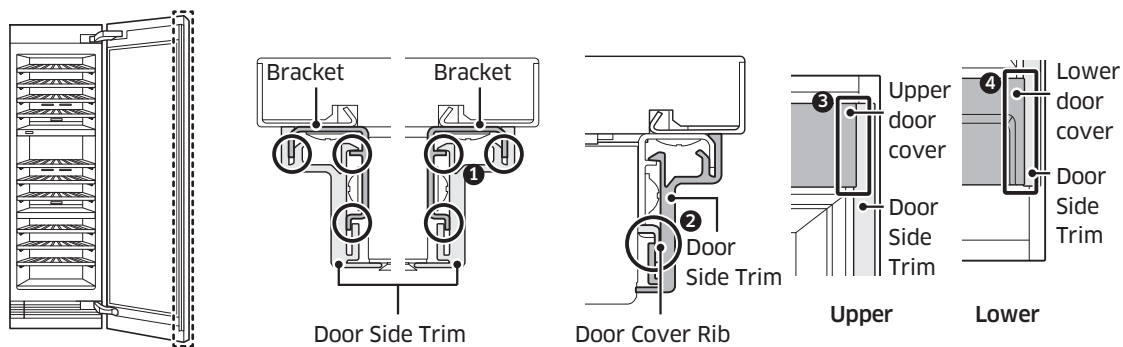


Figure 1

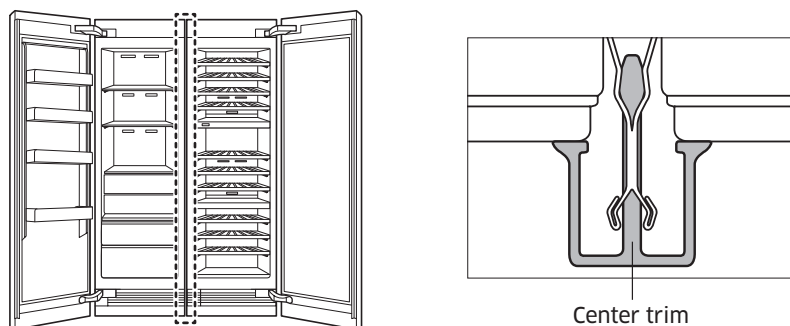
Figure 2

Installation Instructions

3. (Side-by-side installation only) Center trim: Attach the trim between the refrigerator chassis.

WARNING

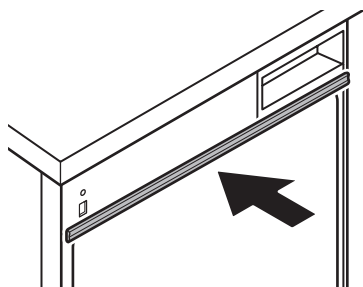
Please check again if there is any problem after installation.



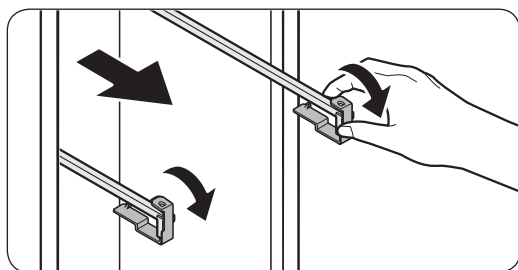
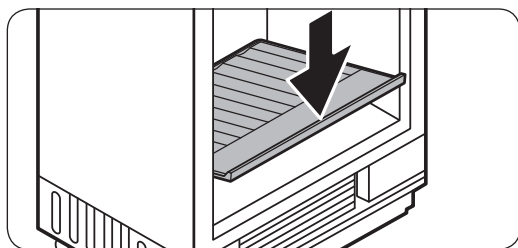
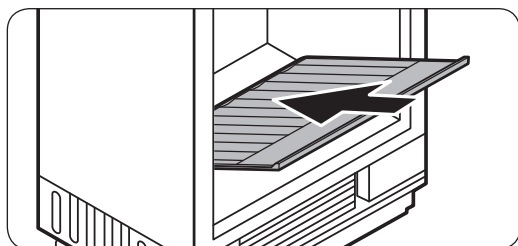
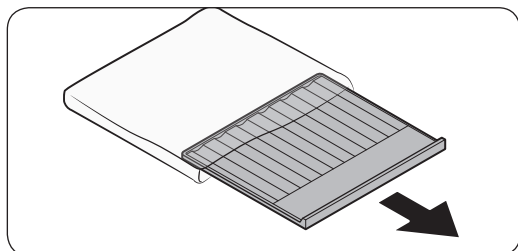
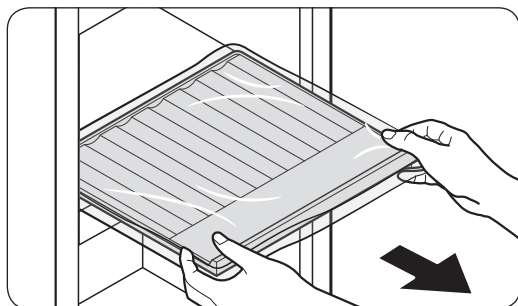
23. Attaching Trim Top Cover

Attach the Trim Top Cover on the bottom of the Top Cover.

- For pair installation, cut to fit the Trim Top Cover width and attach.



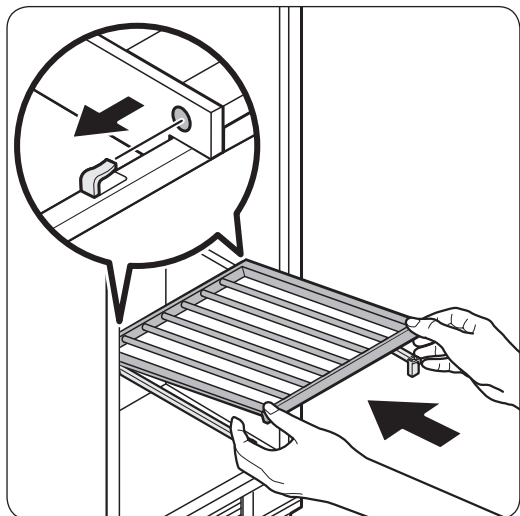
24. Assembling the Wine Rack



1. Remove the packaging of the bottom wine shelf, and then place it on the bottom of the wine cellar.

2. Remove the rail fixer.

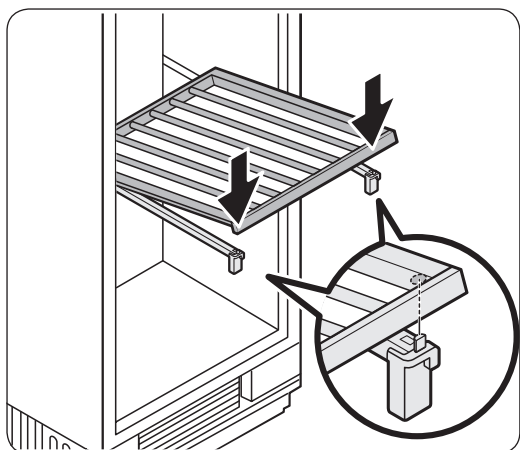
Installation Instructions



3. Hold the front part of the wine rack and the rail, and then push the wine rack so that the hook on the back of the rail is inserted into the hole on the back of the wine rack as shown in the figure.

NOTE

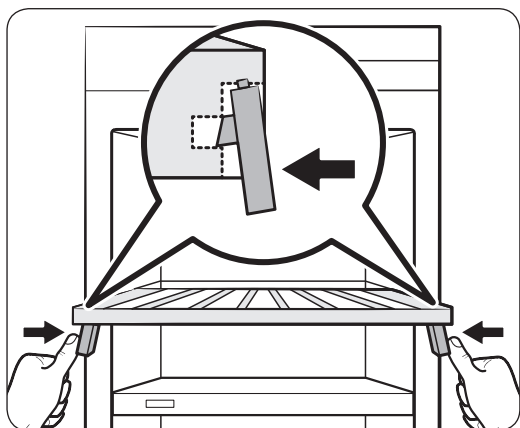
Make sure the hooks on the both rails are properly inserted into the rack.

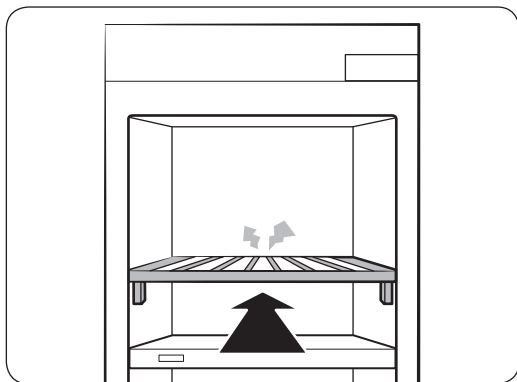
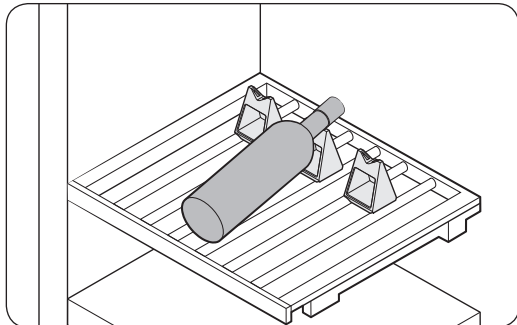
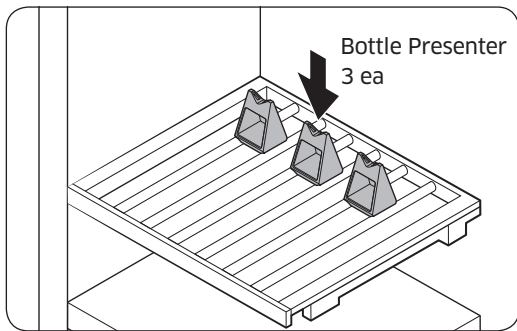
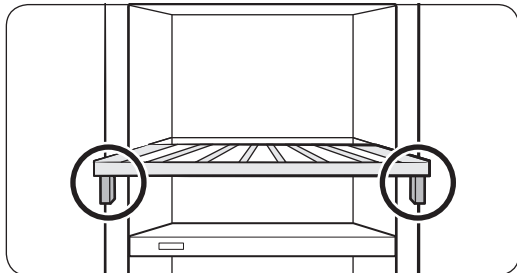


4. Fix the front part of the wine rack by placing the rack on the front of the rail so that two pins on the top and side of the rack is inserted into the holes on the front part of the rack as shown in the figure.

NOTE

Make sure the pins on the both rails are properly inserted into the holes on the rack.





5. Place 3 Bottle Presenter on the wine rack of the Presentation Zone.

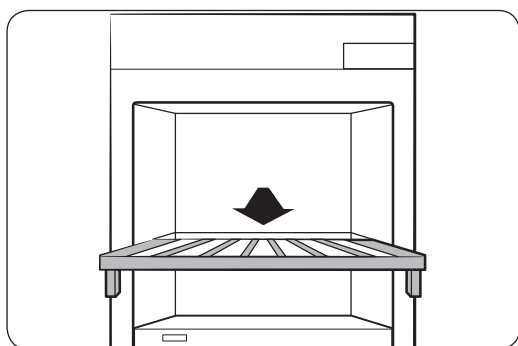
6. Slide in the wine rack until you hear a clicking sound.

Installation Instructions

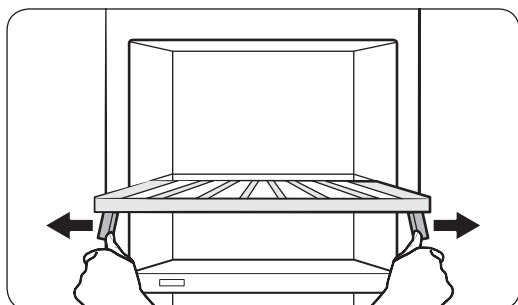
WARNING

- Make sure the appliance is level. If the appliance is not level, the wine rack may slide in or out.
- Make sure the wine rack is firmly fixed.

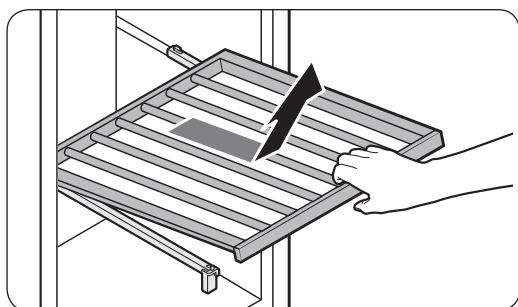
25. Disassembling the Wine Rack



1. Pull the wine rack.



2. Gently spread the racks and lift the front part to release from the pins.



3. Pull the wine rack to remove.

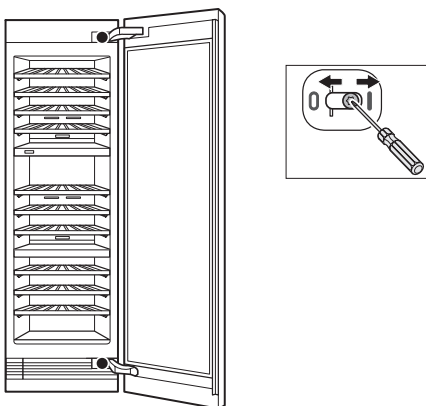
26. Adjusting the Door Spring

Adjust the tension of the door spring according to the product size.

With a star-head screwdriver, turn the adjusting screw.

I = maximum spring tension

0 = no spring tension



27. Cleaning

Remove the protective vinyl.

Installation Instructions

28. Installation Checklist

Ensure the wine rack functions properly and that the custom door panel aligns with the surrounding cabinetry.

WARNING

- The following checklist should be completed by the installer to ensure that the wine rack is safely and correctly installed, functions properly, and that no part of the installation has been overlooked.
- Proper installation is the responsibility of the homeowner. **The importance of proper installation of your Dacor appliance cannot be overemphasized.**

Installation Checklist

- Has the unit been inspected for cosmetic damage?
- Is the unit properly aligned with the adjacent cabinets?
- Do all doors, drawers and shelves operate smoothly, without interference?
- Has all packaging, tape, and literature been removed from inside and outside of the appliance?
- Is the power cable connected to a three-prong grounded electrical outlet that meets the electrical specifications?
- Has the unit been properly leveled?
- Is the gap between the glass door and the panel appropriate? (Please refer to page 53.)
- Has the anti-tip bracket been properly installed?
- Has the auto door open system been function properly?
- Do all refrigerator components function properly?
- Has the warranty been activated on-line or the warranty card filled out and mailed?
- Is the appliance level?
- Is the wine rack firmly fixed?
- Have you demonstrated to the user how to assemble and disassemble the wine rack according to the user manual?

Memo

Memo

Memo



DA68-03621J-02

dacor[®]

Dacor • 14425 Clark Avenue, City of Industry, CA 91745 • Phone: (833) 353-5483 • Fax: (626) 403-3130 • www.dacor.com



dacor[®]

Instrucciones de instalación

Cava incorporada

DRW24980RAP/LAP

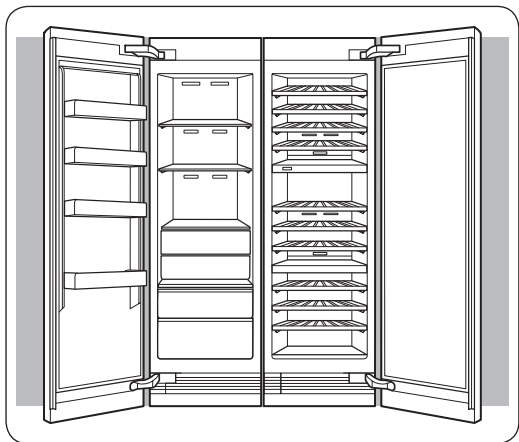
Contenido

Antes de comenzar	4
Importante	4
Información de Atención al cliente	5
Si necesita ayuda	5
Instrucciones importantes de seguridad	6
Advertencia sobre la State of California Proposition 65 (solo EE.UU.)	6
Precauciones generales de seguridad	7
Información de seguridad y advertencias	11
Seguridad de la instalación	11
Especificaciones de instalación	13
Opciones de instalación	14
Especificaciones del producto	16
Especificaciones del panel personalizado	17
Especificaciones de la manija	18
Instalación	20
Requisitos de instalación	21
Preparación para la instalación	21
Conexión de la cava	24
Requerimientos especiales del gabinete	25

Instrucciones de instalación	26
1. Desembalaje de la cava	26
2. Traslado de la cava	27
3. Preparación para la instalación	28
4. Colocación del soporte antivuelco	28
5. Retirar la cubierta superior de la puerta, placa de protección	31
6. Instalar aislantes a cada lado de la cava - Instalación simple	34
7. Instalar aislantes a cada lado del congelador, del refrigerador o de la cava - Instalación lado a lado (Par)	35
8. Conectar los dos chasis	38
9. Ajuste del ángulo de apertura de la puerta	39
10. Colocación de la cava en su estructura	40
11. Remoción de las dos palancas	42
12. Nivelación de la cava	43
13. Colocación de las dos palancas	45
14. Colocación de la cubierta superior de la cava	46
15. Ajuste de la cava	47
16. Colocar los soportes del panel personalizado de la puerta	48
17. Colgar un panel personalizado	50
18. Preparar el panel para el ajuste	51
19. Alinear el panel	52
20. Colocar las cubiertas interiores de la puerta	56
21. Colocar la rejilla, la placa de protección y el zócalo (opcional)	59
22. Colocación del borde de la cava	61
23. Instalar el borde de la cubierta superior	62
24. Armado del soporte para botellas	63
25. Desarmado del soporte para botellas	66
26. Ajuste del resorte de la puerta	67
27. Limpieza	67
28. Lista de verificación de instalación	68

Antes de comenzar

Importante



- El diseño general y/o los accesorios pueden diferir dependiendo del modelo.

Instalador

- A fin de promover la seguridad y minimizar problemas, lea este manual detenidamente antes de iniciar la instalación. Deje este manual al usuario.
- Escriba el modelo/número de serie del electrodoméstico en este manual para referencia en caso de servicio/mantenimiento.
- Los números de modelo/serie se encuentran en la etiqueta informativa en el compartimiento de la cava.

Usuario

- Conserve este manual para referencia personal y para referencia de inspectores, personal de servicio, etc.

GUARDE ESTAS INSTRUCCIONES

Información de Atención al cliente

Si necesita ayuda

Si desea hacer alguna pregunta o tiene un problema con la instalación, comuníquese con su distribuidor de Dacor® o con el Equipo de atención al cliente de Dacor. Si su electrodoméstico Dacor se encuentra en garantía, comuníquese con Dacor Distinctive Service. Tenga el modelo/número de serie del electrodoméstico a mano al llamar. (Estos números se encuentran en la etiqueta informativa ubicada en el marco interno de la puerta derecha del refrigerador).

Centro de atención al cliente de Dacor

Teléfono: 833-35-ELITE (833-353-5483) EE.UU., Canadá

De lunes a viernes de 05:00 a.m. a 05:00 p.m. Hora del Pacífico

Sitio web: www.dacor.com/customer-care/contact-us

inserte aquí: Información del producto: knowledgebase.dacor.com

Todas las especificaciones están sujetas a cambios sin previo aviso. Dacor no asume responsabilidad alguna por los cambios en las especificaciones.

© 2017 Dacor, todos los derechos reservados.

GUARDE ESTAS INSTRUCCIONES

Instrucciones importantes de seguridad

Las instrucciones importantes de seguridad y las advertencias que aparecen en estas instrucciones no tienen por objeto cubrir todos los posibles problemas y condiciones que puedan ocurrir.

Utilice el sentido común y tenga precaución al instalar, mantener u operar este o cualquier otro electrodoméstico.

Siempre póngase en contacto con el equipo de atención al cliente de Dacor por cualquier problema o condiciones que no entienda. Consulte **Información de Atención al cliente**.

Etiquetas y símbolos de seguridad

Estas alertas están destinadas a llamar la atención sobre áreas importantes en el manual.

Siempre que vea estos símbolos o etiquetas, lea el mensaje atentamente antes de continuar.

PELIGRO

Riesgos inminentes que **CAUSARÁN** lesiones físicas graves o la muerte.

ADVERTENCIA

Riesgos o prácticas inseguras que **PUEDEN** causar graves lesiones personales o incluso la muerte.

PRECAUCIÓN

Riesgos o prácticas inseguras que **PUEDEN** causar lesiones personales leves o daños materiales.

Advertencia sobre la State of California Proposition 65 (solo EE.UU.)

ADVERTENCIA : Este producto contiene sustancias químicas que, según el Estado de California, provocan cáncer, defectos congénitos u otros daños en la reproducción.

GUARDE ESTAS INSTRUCCIONES

ADVERTENCIA - Refrigerante R600a

Este dispositivo contiene refrigerante de isobutano, R600a, un gas natural con alta compatibilidad ambiental, a pesar de ser inflamable. Sírvase cumplir con las siguientes advertencias

- Al manipular, instalar y operar el electrodoméstico, debe evitar daños a las tuberías refrigerantes.
- Las tareas de reparación deben estar a cargo del personal de servicio autorizado por el fabricante y los componentes deberán reemplazarse por repuestos autorizados por el fabricante.
- Los productos de refrigeración contienen refrigerantes, que en virtud de la legislación federal deben retirarse antes de la disposición del producto.
- Mantenga las aberturas de ventilación del gabinete o estructura incorporada del electrodoméstico libres de obstrucciones.
- Para evitar la creación de una mezcla de gas-aire inflamable en caso de una pérdida en el circuito del refrigerante, el tamaño del lugar en el que se coloca el refrigerador depende de la cantidad de refrigerante utilizado. El lugar debe tener 35.3 pies³ por cada 8 g de refrigerante R-600a en el electrodoméstico.
- La ubicación de la instalación no debe estar expuesta a la luz solar directa y evite colocar cerca cualquier electrodoméstico o fuente de calor, tales como estufas, hornos u hornillas, radiadores, etc.
- Si coloca dos productos uno junto al otro, por razones de seguridad, asegúrese de utilizar productos certificados en atmósferas de gas explosivos.
- No utilice dispositivos mecánicos ni otros medios para acelerar el proceso de descongelamiento.
- No dañe el circuito del refrigerante.
- No utilice electrodomésticos eléctricos dentro del compartimiento de almacenamiento de alimentos del electrodoméstico.

Precauciones generales de seguridad

PELIGRO

IMPORTANTE:

A fin de evitar que los niños queden encerrados o se sofocuen al desechar un electrodoméstico viejo:

- Retire las puertas.
- Deje los estantes en su lugar de manera tal que los niños no puedan entrar fácilmente al electrodoméstico.
- Corte las clavijas del enchufe y descártelas.
- Corte el cable de alimentación y descártelo separado del electrodoméstico viejo.

GUARDE ESTAS INSTRUCCIONES

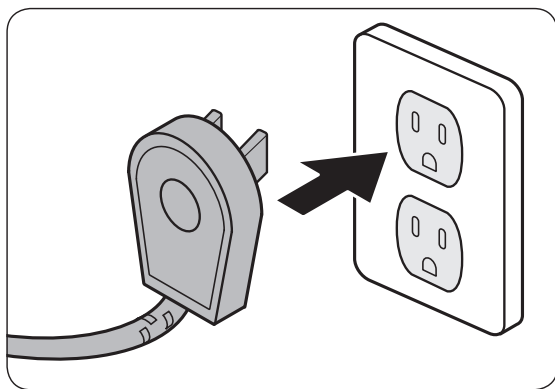
Instrucciones importantes de seguridad

Para evitar posibles explosiones o incendios, no guarde ni utilice vapores o líquidos inflamables o explosivos (como gasolina) dentro o cerca de este o de cualquier otro electrodoméstico. También mantenga los objetos que podrían explotar, como latas de aerosol, lejós de quemadores de estufa, hornos y campanas de cocina. No almacene materiales inflamables o explosivos en gabinetes o áreas adyacentes.

ADVERTENCIA

IMPORTANTE: Este electrodoméstico está equipado con un enchufe eléctrico de tres clavijas con conexión a tierra para protección contra posibles riesgos de descarga eléctrica. Debe enchufarse en un tomacorriente dedicado y con conexión a tierra. En caso de que solo haya disponible un tomacorriente de dos clavijas, será responsabilidad del cliente reemplazarlo por un tomacorriente dedicado y conectado a tierra adecuadamente.

- No enrosque ni doble el cable de alimentación eléctrica del electrodoméstico.
- Nunca desenchufe el electrodoméstico jalando el cable de alimentación.
- Siempre sostenga el enchufe con firmeza y jale para extraerlo del tomacorriente.
- Desconecte el electrodoméstico cuando no esté en uso.
- No instale, repare, modifique ni reemplace cualquier pieza del electrodoméstico a menos que así se lo recomiende específicamente en la literatura que lo acompaña.
- Un técnico de servicio calificado debe realizar todas las demás reparaciones.



NO corte ni retire la tercera clavija (conexión a tierra) del cable de alimentación eléctrica.

NO utilice un adaptador.

NO utilice un cable de alimentación que esté pelado o dañado.

NO conecte el electrodoméstico a un alargue. Mantenga el cable de alimentación alejado de superficies calientes.

NOTA

- Utilice un tomacorriente con conexión a tierra.
- No se recomienda el uso de un tomacorriente con un interruptor de falla de conexión a tierra.

GUARDE ESTAS INSTRUCCIONES

ADVERTENCIA

- Para reducir el riesgo de incendio, descarga eléctrica, lesiones graves o muerte al utilizar el electrodoméstico, siga las instrucciones básicas de seguridad, incluyendo las siguientes:
- Si recibe un producto dañado, comuníquese de inmediato con su distribuidor o fabricante. No instale ni utilice un electrodoméstico dañado.
- Asegúrese de que el electrodoméstico se haya instalado correctamente de acuerdo con estas instrucciones de instalación.
- Asegúrese de instalar los tomacorrientes de acuerdo con la ubicación de la fuente de alimentación.
- Los equipos de refrigeración y refrigerantes deben desecharse adecuadamente de manera profesional y apropiada de acuerdo con los reglamentos y la legislación local actual que protegen el medio ambiente. Esto corresponde a su viejo electrodoméstico y a su nueva unidad una vez que llega al fin de su vida útil. NO deseche el electrodoméstico en un relleno sanitario ni con desechos urbanos. Comuníquese con los centros de disposición de desechos locales para obtener información acerca de cómo desechar los residuos reciclables.
- Tenga cuidado al manipular, mover, utilizar o desechar el electrodoméstico a fin de evitar daños al sistema de refrigeración.
- No lo instale en exteriores ni en situaciones de humedad. Este electrodoméstico no ha sido diseñado para su instalación en vehículos recreativos ni embarcaciones.
- Mantenga los materiales de embalaje alejados de los niños. Las láminas y bolsas plásticas pueden provocar asfixia.
- Conecte el electrodoméstico a un circuito de 115 V, 15 A. controlado por un disyuntor o fusible. El electrodoméstico debe tener su propio circuito con conexión a tierra.
- No enrosque ni doble el cable de alimentación eléctrica del electrodoméstico. Nunca desenchufe el electrodoméstico jalando el cable de alimentación. Siempre sostenga el enchufe con firmeza y jale para extraerlo del tomacorriente.
- Desconecte el electrodoméstico cuando no esté en uso.
- No instale, repare, modifique ni reemplace cualquier pieza del electrodoméstico a menos que así se lo recomiende específicamente en la literatura que lo acompaña. Un técnico de servicio calificado debe realizar todas las demás reparaciones.
- Antes de realizar cualquier tipo de reparación, corte el suministro eléctrico en el panel del disyuntor.
- Este electrodoméstico no debe ser utilizado por personas (incluido niños) con capacidades físicas o sensoriales reducidas, o por personas que carezcan de experiencia y conocimientos, a menos que se encuentren bajo la supervisión adecuada de un responsable de su seguridad. Los niños deben estar supervisados, por su seguridad.
- No permita que nadie, incluso niños, se sienta, pare o trepe sobre cualquier parte del electrodoméstico, incluso la puerta. Hacerlo puede provocar daños, lesiones graves o la muerte.

GUARDE ESTAS INSTRUCCIONES

Instrucciones importantes de seguridad

- Si el cable de alimentación está dañado, debe ser reemplazado por el fabricante o por un técnico de reparación calificado a fin de evitar riesgos de seguridad. No utilice los controles en forma indebida.
- Limpie el electrodoméstico regularmente como se indica en la sección Cuidado y limpieza del Manual del usuario. Limpie el balde o cajón de hielo regularmente.
- Cuando el congelador esté funcionando, no toque las superficies internas de acero inoxidable con las manos mojadas o húmedas, dado que la piel puede adherirse a las superficies muy frías.
- No utilice ningún tipo de equipo eléctrico dentro de los compartimientos de la cava.
- No obstruya ninguna de las ventilaciones o aberturas del electrodoméstico.
- A fin de evitar el riesgo de que el electrodoméstico caiga de costado es obligatorio sujetarlo mediante los dos soportes antivuelco provistos.
- Utilice el electrodoméstico únicamente con el fin para el que ha sido diseñado: el almacenamiento de alimentos y bebidas. No ha sido diseñado para el uso comercial o industrial.
- Al realizar la instalación tenga cuidado de que la caja de componentes eléctricos no esté dañada por la desviación de la descarga.
- Sostenga la manija al abrir y cerrar la puerta.
- Al abrir y cerrar la puerta, tenga cuidado de no poner las manos en la entrada.

GUARDE ESTAS INSTRUCCIONES

Información de seguridad y advertencias

Seguridad de la instalación

ADVERTENCIA

- Antes de instalar la cava, conéctela a un tomacorriente y enciéndala para asegurarse de que funcione.
- Elija un lugar alejado de los calefactores, las calderas o la luz solar directa.
- Instale la unidad donde el aire fluya libremente y donde la cava esté bien ventilada.
- Instale la unidad de modo que el aire fluya sin obstrucciones a través de la parrilla delantera. Si no se asegura la circulación del aire, esto puede interferir con el funcionamiento normal del producto.
- Ciertos animales (roedores) pueden masticar el cable de alimentación y provocar un incendio; por lo tanto, instale la unidad en un lugar donde los animales no puedan acceder.
- Si el gabinete está hecho de material blando (por ejemplo, yeso, etc.), puede tener una estructura débil y dañarse. Por lo tanto, utilice un gabinete de material robusto y resistente.
- Instale la cava con un equipo de al menos 2 personas.
- Consulte las dimensiones del gabinete y prepárelo con buena circulación de aire.
- Utilice un gabinete que no se deforme debido a las emisiones de calor del producto o a la humedad por la apertura y cierre de la cava.

NOTA

Esta es una cava de estilo “incorporado”, lo que significa que debe ser instalada dentro de un hueco en gabinetes de cocina existentes.

Antes de mover la cava, despeje el camino hasta el lugar donde se instalará.

Verifique todas las dimensiones del producto y el radio de inclinación con cualquier puerta, pasillo, escalera, esquina, etc., para asegurar un paso sin obstrucciones.

ADVERTENCIA



Peligro de caída

Este electrodoméstico es relativamente pesado en su parte superior y tiende a caerse cuando no se instala en forma segura.

Mantenga las puertas cerradas con cinta adhesiva hasta que la cava esté en su posición final y lista para ser asegurada en su lugar.

Hacen falta dos o más personas para trasladar e instalar la cava.

De lo contrario, podría sufrir lesiones graves o incluso la muerte.

Información de seguridad y advertencias

 **PELIGRO**



Riesgo de explosión

Mantenga los materiales y vapores inflamables, como la gasolina, lejos de la cava.

No hacerlo puede provocar la muerte, una explosión o un incendio.

Especificaciones de instalación

ADVERTENCIA

Respete todos los códigos y ordenanzas durante la planificación e instalación. Comuníquese con el departamento de mantenimiento de edificios local para obtener más información.

ADVERTENCIA

Las conexiones eléctricas y de descarga a tierra deben cumplir con las partes pertinentes del código eléctrico nacional y/u otros códigos eléctricos.

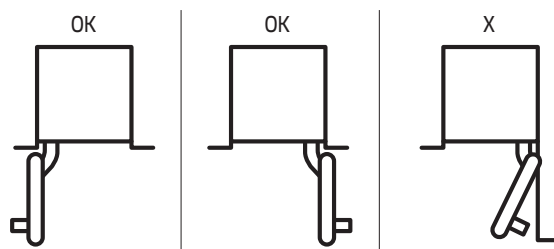
Este electrodoméstico incluye un cable de alimentación con un enchufe con conexión a tierra de tres clavijas para una fuente de alimentación eléctrica de 115 Vac, 15 Amp. Enchúfelo únicamente en un tomacorriente de tres clavijas, con conexión a tierra y de 115 Vac.

El electrodoméstico está equipado con un sistema de iluminación con lámparas LED de alta intensidad. No mire fijo dichas lámparas cuando estén encendidas a fin de evitar daños a su visión.

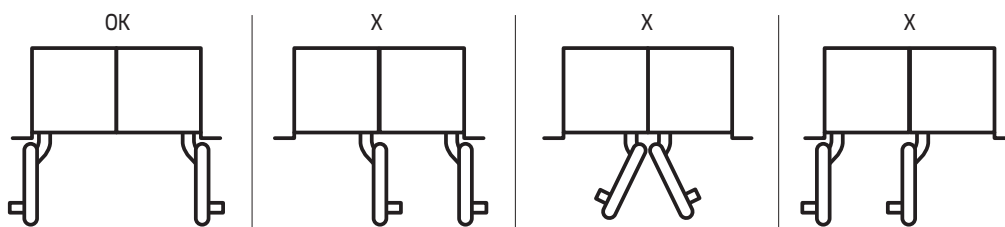
Opciones de instalación

Existen diversas opciones de instalación.
Están limitadas únicamente por el diseño de la cocina.

Electrodoméstico individual



Lado a lado (Par)



Electrodomésticos individuales con partición

NOTA

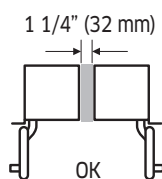
- El grosor mínimo de la partición es 1 1/4" (32 mm).
- A 1 1/4" (32 mm), el giro de la puerta debe efectuarse como en el caso 1.
- A más de 1 9/16" (40 mm), el giro de la puerta puede efectuarse en la misma dirección y el ángulo de apertura debe ser de 90 grados como en el caso 2.

A más de 7 7/8" (200 mm), el giro de la puerta puede efectuarse en dirección opuesta y el ángulo de apertura debe ser de 90 grados como en el caso 3.

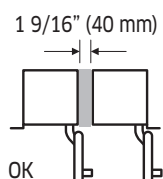
Para esta opción de instalación es recomendable instalar el tope de la puerta a 90 grados. Para minimizar el grosor de la partición.

Si se desea un ángulo de apertura de la puerta de 115 grados, es recomendable la distancia de "F" (página 16) para el grosor de la partición.

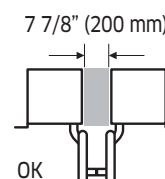
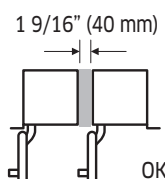
- El grosor de la partición depende de la profundidad de la manija. Las dimensiones anteriores son aceptables para las manijas Dacor.



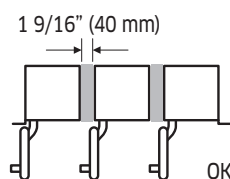
Caso 1



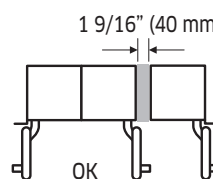
Caso 2



Caso 3

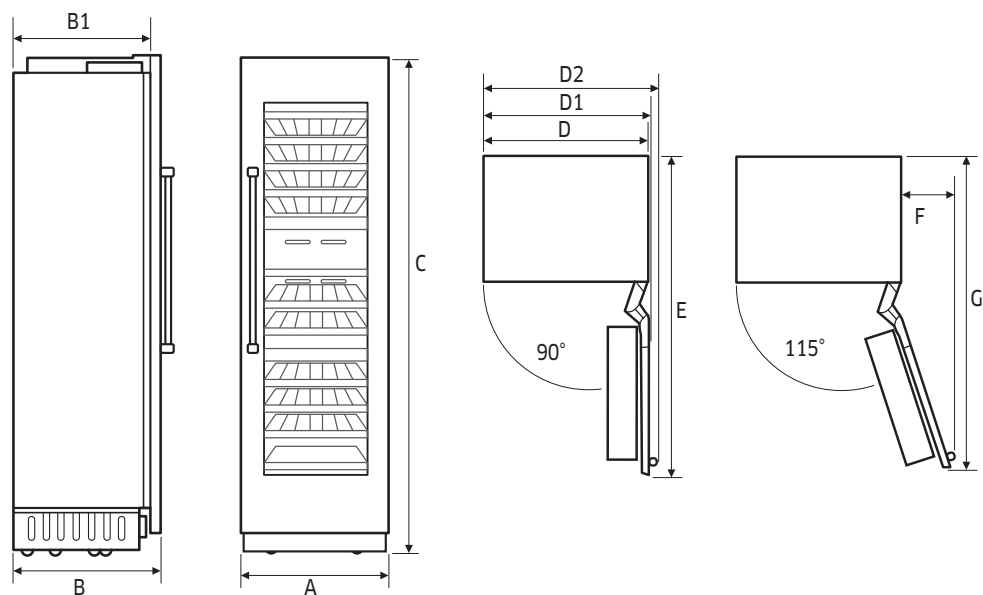


Es recomendable que el giro de apertura de las puertas se efectúe hacia el mismo lado.



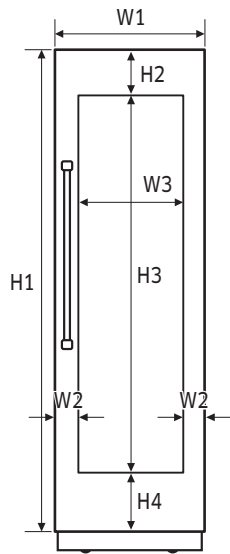
El giro de apertura de la puerta de la columna individual debe ser el mismo que el de la instalación lado a lado.

Especificaciones del producto



Leyenda	24"
A	23 3/4" (603 mm)
B (con panel)	25" (635 mm)
B1 (sin panel)	23 13/16" (605 mm)
C	83 3/8" (2118 mm)
D	23 5/8" (600 mm)
D1	24 7/8" (631 mm)
D2	27 9/16" (701 mm)
E	50 3/4" (1289 mm)
F	13 11/16" (348 mm)
G	49 11/16" (1261 mm)

Especificaciones del panel personalizado



Leyenda	24"
W1	23 3/4" (603 mm)
W2	3 9/32" (83.5 mm)
W3	17 5/32" (436 mm)
H1	79 7/8" (2029 mm)
H2	7 23/32" (196 mm)
H3	62 25/32" (1594.5 mm)
H4	9 3/8" (238.5 mm)
Grosor del panel	3/4" (19 mm)
Peso máximo	55.0 lb (25 kg)

No supere la carga máxima que el panel personalizado puede soportar. Antes de confeccionar el panel, verifique la solidez del material del panel y la carga de los accesorios del panel.

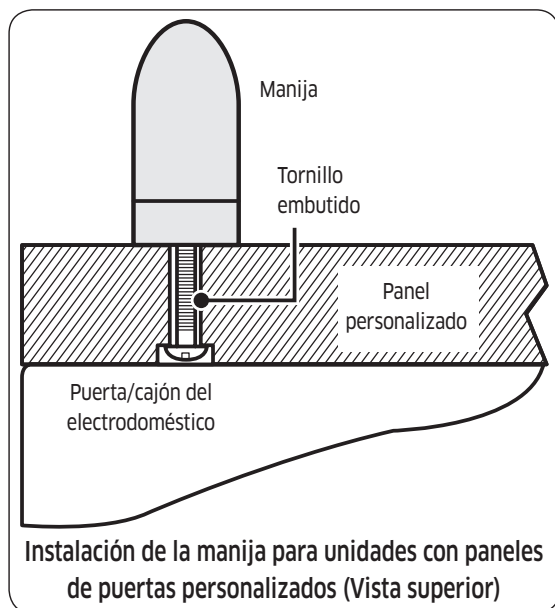
	24"
Panel personalizado Peso máximo	55.0 lb (25 kg)

NOTA

- El grosor estándar del panel personalizado es de 3/4" (19 mm).

Especificaciones del producto

Especificaciones de la manija



Antes de instalar los paneles personalizados, debe instalar las manijas de la puerta/cajón. Los modelos con paneles personalizados, cuentan con la ventaja de poder seleccionar un estilo de manija de acuerdo con su gusto personal. Las manijas no se proveen con los modelos para paneles personalizados. Hay kits de manijas selectos disponibles a través de su distribuidor Dacor. Dacor no recomienda el uso de tiradores. El fabricante del panel debe seleccionar y comprar los tornillos necesarios para la instalación. Las cabezas de los tornillos deben embutirse en el panel a fin de evitar interferencias durante el ajuste.

PRECAUCIÓN

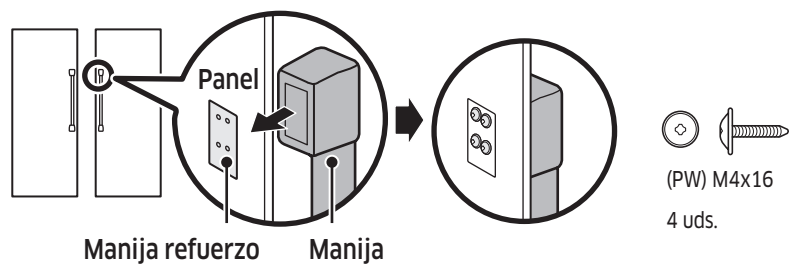
Recomendamos instalar una manija para panel personalizado. Sin la manija, puede atraparse los dedos al abrir o cerrar la puerta.

Instalación de la manija de Dacor

ADVERTENCIA

Siga estas instrucciones para instalar la manija de Dacor. De lo contrario, la manija puede dañarse o funcionar inadecuadamente.

1. Coloque el soporte reforzado de la manija en la parte trasera del panel de la puerta y luego coloque la manija en la parte delantera del panel de la puerta.
2. Fije los 4 tornillos en los lados superior e inferior de la manija, tal como se muestra. No los apriete excesivamente.



Instalación

ADVERTENCIA

No instale el electrodoméstico:

- en exteriores,
- en un ambiente con caída de agua.

El electrodoméstico es muy pesado:

Cava de 24" aprox. 397 lb / 180 kg

Sala de instalación

El electrodoméstico debe instalarse en una habitación seca y ventilada.

Instalación segura

El electrodoméstico es muy pesado y tiende a caer hacia adelante cuando la puerta está abierta.

No abra la puerta hasta que no haya ninguna posibilidad de que el electrodoméstico se caiga.

La manera más segura de instalar el electrodoméstico es utilizar los dispositivos antivuelco provistos.

Piso

La superficie inferior debe estar nivelada y uniforme a fin de garantizar que el electrodoméstico esté instalado en forma segura y funcione correctamente.

La superficie inferior debe estar hecha de un material duro, no flexible para cubrir el peso del electrodoméstico.

Alinear el electrodoméstico

A fin de garantizar que el electrodoméstico funcione correctamente, debe estar nivelado adecuadamente.

Puerta de vidrio

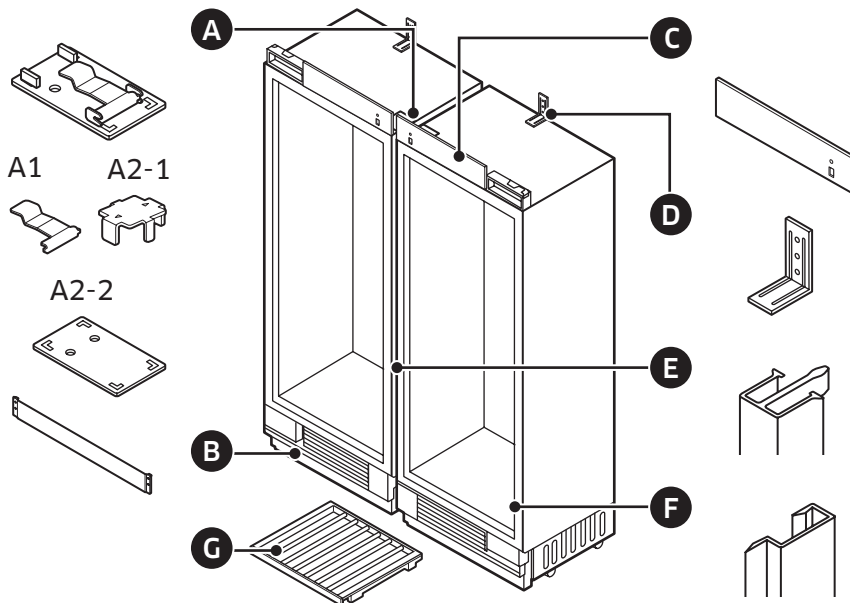
Al mover o instalar el electrodoméstico, tenga cuidado de no dañar la puerta de vidrio.

Requisitos de instalación

Preparación para la instalación

Piezas de instalación del gabinete

Utilizando la tabla que aparece en la siguiente página, verifique que todas las piezas de instalación estén presentes al desembalar el electrodoméstico.



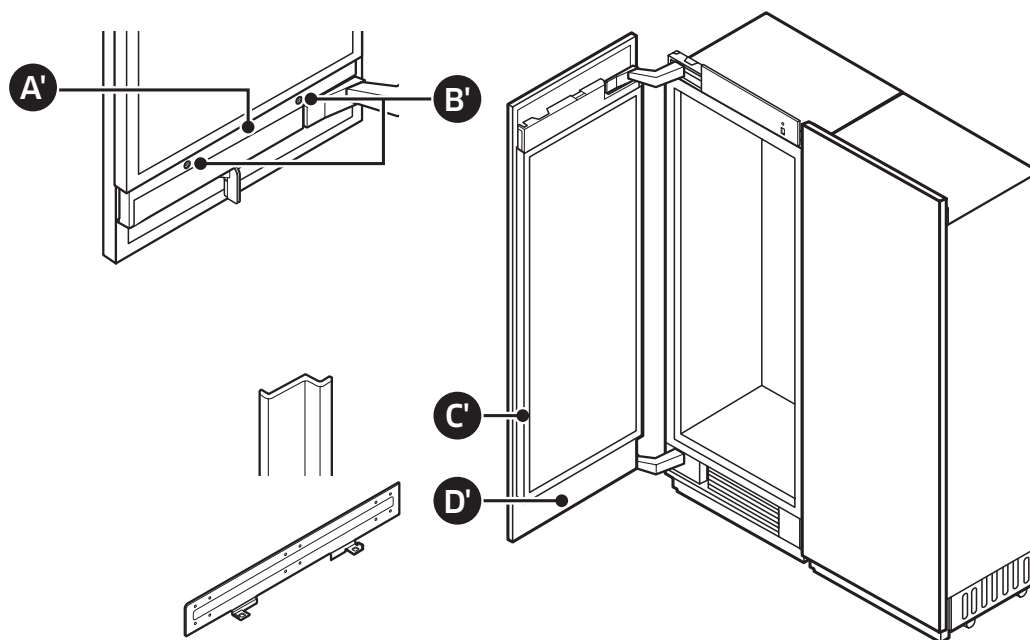
Controle las piezas de instalación al desembalar el electrodoméstico.

PIEZAS		ÚNICA-INSTALACIÓN	PAR-INSTALACIÓN	
A	A1	PALANCA	-	2
	A2-1	SOPORTE INFERIOR	-	1
	A2-2	SOPORTE SUPERIOR	-	1
B	PLACA DE PROTECCIÓN	1	2	
C	Cubierta superior del refrigerador	1	2	
D	SOPORTE ANTIVUELCO	18", 24", 30": 1 36": 2	18", 24", 30": 2 36": 4	
E	BORDE CENTRAL	-	1	
F	BORDE LATERAL DEL GABINETE	2	2	
G	Estante para vinos	10	20	

Requisitos de instalación

Piezas de instalación de la puerta

Utilizando la tabla que aparece a continuación, verifique que todas las piezas de instalación de la puerta estén presentes al desembalar el electrodoméstico.




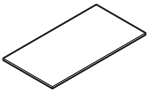
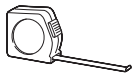


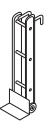
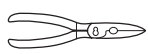
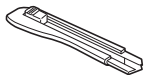




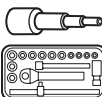

Controle las piezas de instalación al desembalar el electrodoméstico.

	PIEZAS	ÚNICA-INSTALACIÓN	PAR-INSTALACIÓN
A'	TAPA INFERIOR DE LA PUERTA	1	2
B'	TAPA	2	4
C'	BORDE LATERAL DE LA PUERTA	2	4
D'	SOPORTE DEL PANEL	2	4

Tornillo y tuerca

	M6x12	12 uds.		(FH) M4x14	22 uds.
	(TH) M4x16	24 uds.		M4x35	3 uds.
	M13	2 uds.		Ø6x30	3 uds.

Herramientas necesarias

N.º	Herramienta	N.º	Herramienta
1	 Destornillador eléctrico	8	 Alfombra protectora
2	 Cinta métrica	9	 Escalera de tijera
3	 Destornillador plano	10	 Plataforma móvil para el electrodoméstico
4	 Cortador (Tijera)	11	 Cutter
5	 Llave ajustable	12	 Nivel
6	 Destornillador Phillips	13	 Destornillador de estrella
7	 Trinquete 3/8" (10 mm), 1/2" (13 mm)	14	 Llave combinada 3/8" (10 mm), 1/2" (13 mm)

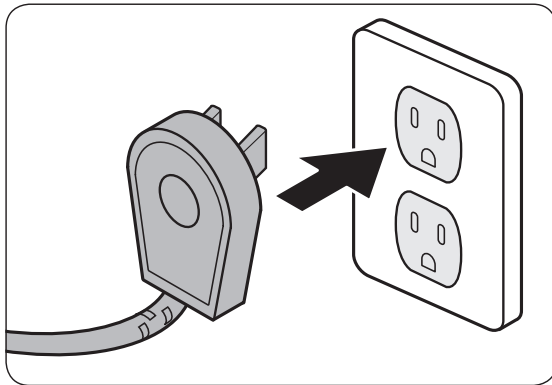
Requisitos de instalación

Conexión de la cava

PRECAUCIÓN

Las conexiones eléctricas y de descarga a tierra deben cumplir con las partes pertinentes del código eléctrico nacional y/u otros códigos eléctricos.

Este electrodoméstico incluye un cable de alimentación con un enchufe con conexión a tierra de tres clavijas para una fuente de alimentación eléctrica de 115 Vac, 15 Amp. Enchúfelo únicamente en un tomacorriente de tres clavijas, con conexión a tierra y de 115 Vac.



BAJO NINGUNA CIRCUNSTANCIA CORTE O quite LA TERCERA CLAVIJA (CONEXIÓN A TIERRA) DEL CABLE DE ALIMENTACIÓN.

NO UTILICE UN ENCHUFE ADAPTADOR PARA CONECTAR LA CAVA A UN TOMACORRIENTE DE 2 CLAVIJAS.

NO UTILICE UN CABLE PROLONGADOR CON ESTE ELECTRODOMÉSTICO.

ADVERTENCIA



Riesgo de descarga eléctrica

Enchufe a un tomacorriente de 3 clavijas exclusivo, conectado a tierra.

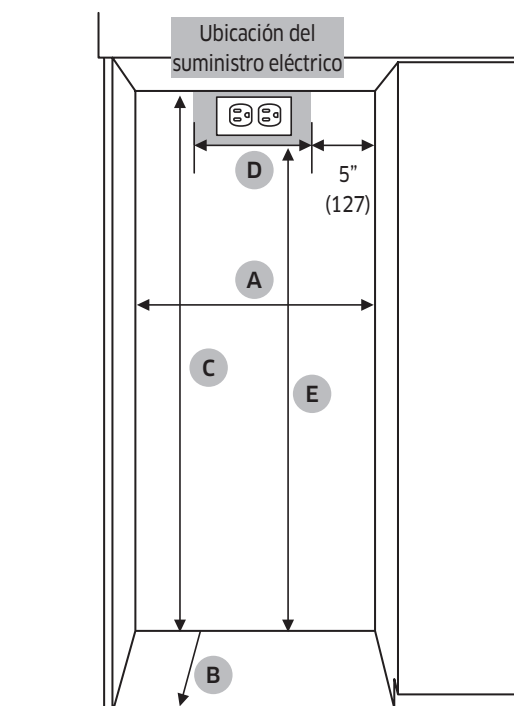
No retire la clavija de conexión a tierra.

No utilice un adaptador.

No utilice un cable prolongador.

No seguir estas instrucciones puede provocar la muerte, un incendio o una descarga eléctrica.

Requerimientos especiales del gabinete



- A : Ancho del gabinete
- B : Profundidad del gabinete
- C : Altura del gabinete
- D : Ubicación del suministro eléctrico, ancho
- E : Ubicación del suministro eléctrico, alto

Leyenda	24"
A	24" (610 mm)
B	25" (635 mm)
C	84" (2134 mm)
D	14" (356 mm)
E	80" (2032 mm)

- B : Incluye el panel de la puerta estándar de un grosor de 3/4".
- La instalación dentro de un gabinete de este ancho permite que el borde de la cava se ajuste directamente a los gabinetes cercanos.

Instrucciones de instalación

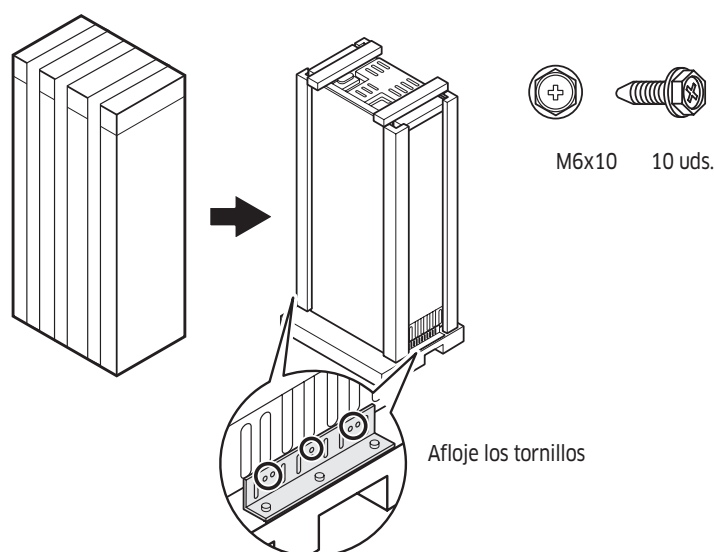
1. Desembalaje de la cava

Controle el electrodoméstico a fin de detectar daños provocados por el transporte.

No instale el electrodoméstico si presenta daños visibles.

Si tiene alguna inquietud, consulte a su distribuidor.

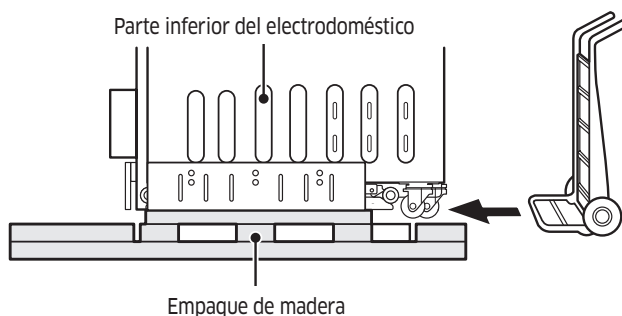
1. Retire las bandas de polipropileno, el embalaje de cartón, EPS y la bolsa.
2. Retire los soportes del pallet al retirar los tornillos (cinco por soporte).



⚠ PRECAUCIÓN

Tenga cuidado de no dañar el electrodoméstico al descargarlo del pallet.

3. Como se ilustra, inserte la carretilla de mano entre el electrodoméstico y el empaque de madera. Mientras inclina el electrodoméstico hacia atrás, descárguelo del empaque de madera.



2. Traslado de la cava

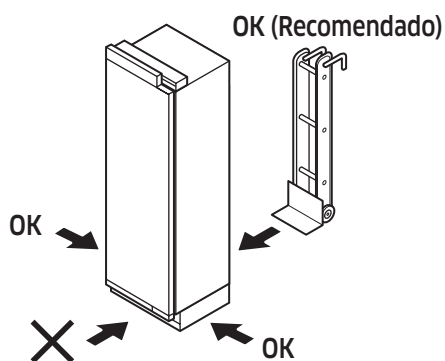
ADVERTENCIA

El electrodoméstico es muy pesado. Al mover el refrigerador, todo el personal debe tener cuidado de no lesionarse ni dañar el electrodoméstico.

1. Ajuste el refrigerador a un medio de transporte adecuado (preferentemente una plataforma deslizante para electrodomésticos) y lleve el refrigerador junto al gabinete de instalación.
 2. Mueva e instálelo con un mínimo de dos personas.
 3. Tenga cuidado de evitar daños al piso. Los pisos delicados deben protegerse con una madera, cartón duro o un material similar.
 4. Antes de mover el refrigerador, verifique que pase por las aberturas de las puertas, escaleras y obstrucciones en altura.
- **RIESGO DE VUELCO:** El refrigerador es grande, pesado y se vuelca fácilmente cuando no se lo sujeta. Siempre mueva el refrigerador en posición vertical si fuera posible. Si no, muévelo boca arriba. Cierre y fije las puertas durante el transporte.

ADVERTENCIA

Tenga cuidado de no dañar la caja de componentes eléctricos durante la instalación.



Instrucciones de instalación

3. Preparación para la instalación

Desempaque los materiales y accesorios de instalación.

Consulte la sección de preparación para la instalación del capítulo Requerimientos de instalación.

4. Colocación del soporte antivuelco

⚠ ADVERTENCIA

Para evitar que la unidad caiga hacia adelante, debe instalarse un soporte antivuelco. Antes de colocar el soporte, asegúrese de que no haya cableado eléctrico ni tuberías en el área que atravesarán los tornillos. Se requiere un soporte por electrodoméstico.

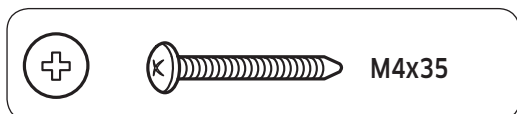
⚠ PRECAUCIÓN

Use siempre anteojos de seguridad y otros dispositivos o accesorios de protección necesarios al instalar o trabajar con fijaciones.

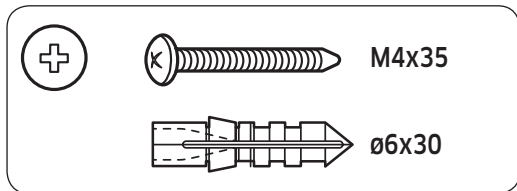
Dacor no recomienda que fije el soporte antivuelco en mampostería liviana (por ej.: bloques, ladrillos) o en cemento nuevo, sin curar.

Asegúrese de que la pared o el gabinete al que se ajustan los soportes sean lo suficientemente sólidos como para soportar la carga de seguridad.

Pared de madera



Pared de cemento



1. La altura del soporte se mide desde el piso y depende de la altura del gabinete.

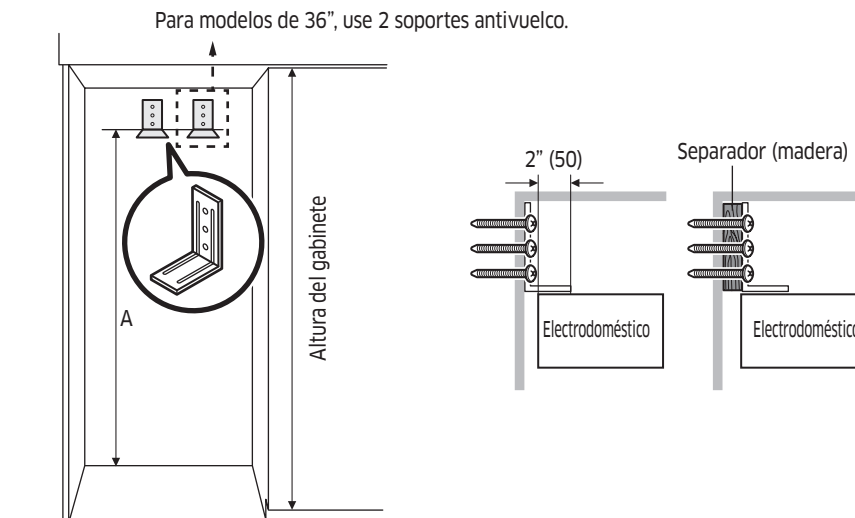
📄 NOTA

Altura del soporte






= Altura del gabinete - 4 3/32" (104 mm)

2. Ajuste los soportes antivuelco. Asegúrese de que los tornillos se ajusten bien al soporte.

Los soportes antivuelco deben extenderse al menos 2" (50 mm) por encima del electrodoméstico a fin de fijarlo. Si no fuera posible cumplir con dicha longitud mínima por las condiciones estructurales, es posible hacerlo al ajustar un separador (madera) detrás del ángulo antivuelco.



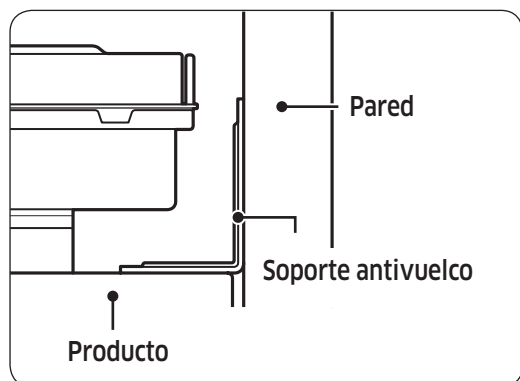
Opción	Altura del gabinete	A
1	83 1/2" (2121 mm)	79 13/32" (2017 mm)
2	83 3/4" (2127 mm)	79 5/8" (2023 mm)
3	84" (2134 mm)	79 7/8" (2030 mm)
4	84 1/4" (2140 mm)	80 1/8" (2036 mm)

		24"
SOPORTE ANTIVUELCO		1 ud.
pared de madera	  M4x35	3 uds.
pared de cemento	  M4x35	3 uds.
	 ø6x30 (FIJACIÓN)	3 uds.

- 3 tornillos/fijaciones por soporte.

Instrucciones de instalación

Consideraciones sobre el soporte antivuelco

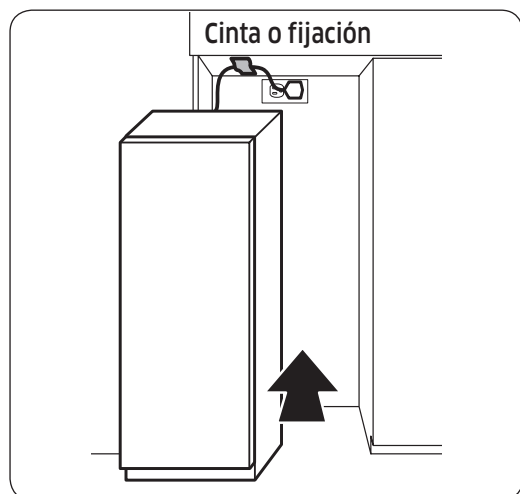


1. Posición del soporte: siga la tabla de alturas específica para el gabinete.
2. Tornillos: Ajuste los 3 tornillos en los soportes.
3. Empuje el producto hacia arriba contra la pared trasera del gabinete.
4. Separador: Si utiliza el separador debe seguir las especificaciones de ubicación del soporte (consulte la tabla anterior).

⚠ PRECAUCIÓN

- La altura del separador se debe calcular en base a la profundidad del gabinete.
- El separador debe fijarse separadamente del gabinete.

Instalación del producto en el gabinete

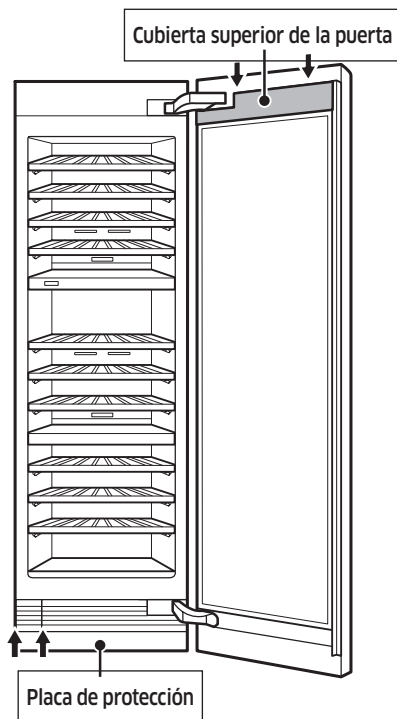


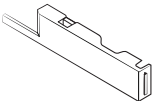

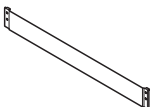

Antes de instalar el producto en el gabinete, enchufe el cable de alimentación. Luego, fije el cable de alimentación junto al frente del gabinete utilizando cinta adhesiva o una fijación como una grapa, un clavo, etc.

Luego de instalar el producto en el gabinete, asegúrese de que el cable de alimentación se encuentre sobre la parte superior del producto (como se muestra en la figura).

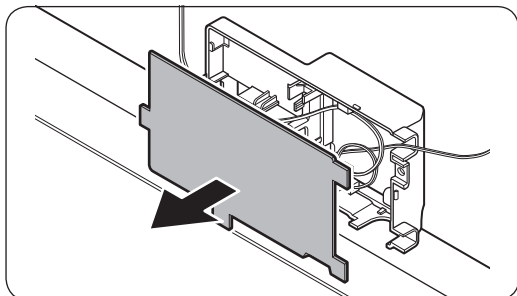
5. Retirar la cubierta superior de la puerta, placa de protección

Debe retirar la tapa superior de la puerta y la placa de protección antes de ajustar el panel de la puerta personalizado.

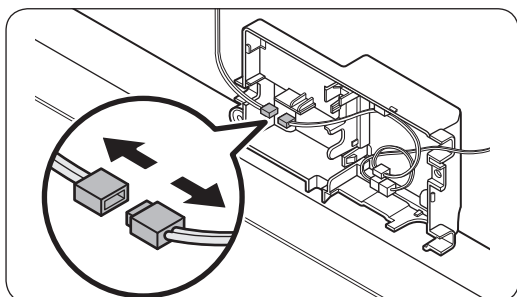


Cubierta superior de la puerta			M5x16	2 uds.
Placa de protección			M4x8	2 uds.

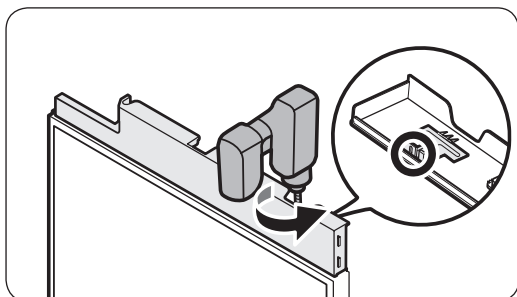
Instrucciones de instalación



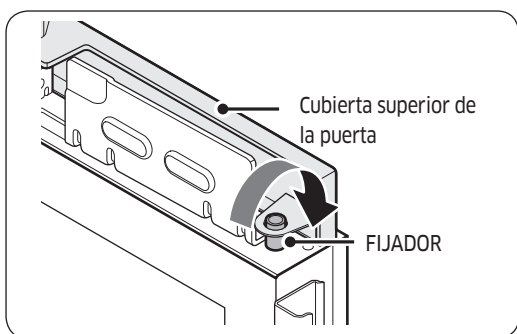
1. Retire la cubierta interna de la parte interna de la cubierta superior de la puerta.



2. Desconecte el conector del sensor de humedad.

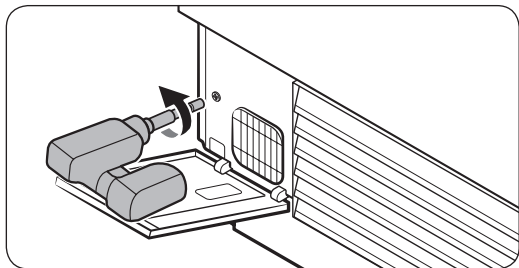


3. Retire los 2 tornillos que fijan la cubierta superior de la puerta.

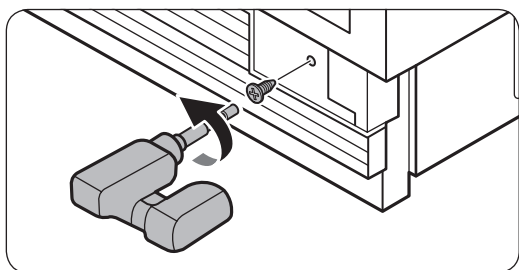


4. Retire la cubierta superior de la puerta de los fijadores.

- Placa de protección: En una instalación lado a lado, retire la tapa de la rejilla. Esto no es aplicable para una instalación única estándar.

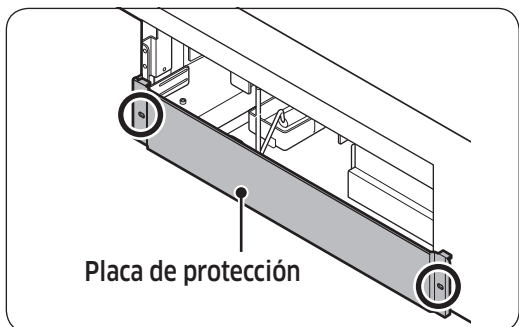


1. Empuje para abrir la cubierta. Retire los tornillos laterales y retire la tapa de la rejilla.



ADVERTENCIA

No utilice el taladro de impacto. Puede provocar daños.



2. Retire los tornillos de ambos lados y retire la placa de protección.

Instrucciones de instalación

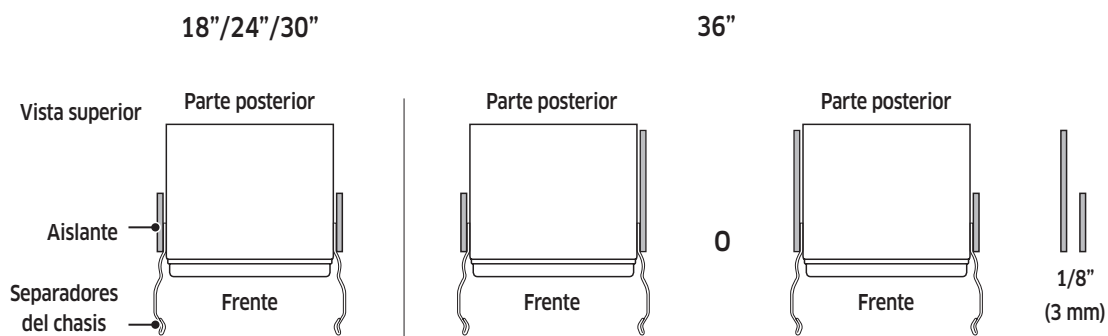
6. Instalar aislantes a cada lado de la cava - Instalación simple

Instale 2 aislantes en cada lado del congelador o del refrigerador. Asegúrese de que en los modelos de 36" se instalen aislantes de dos tamaños diferentes.

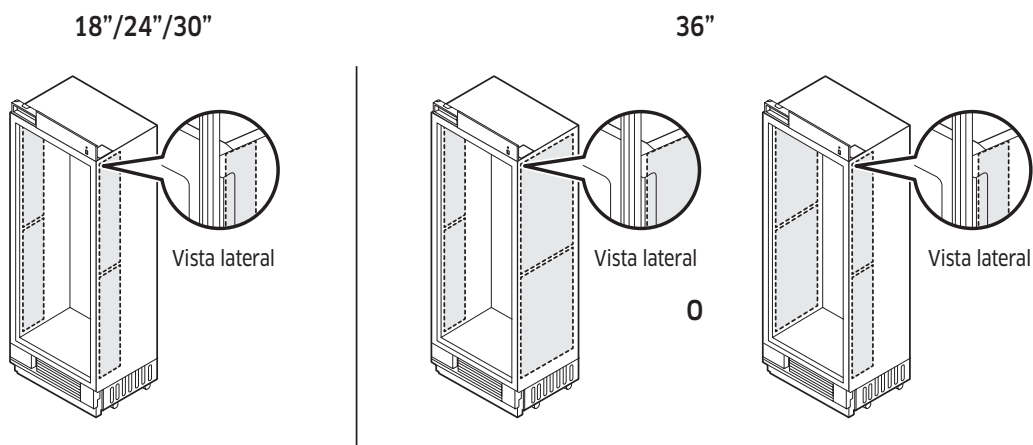
Verifique cuál es su modelo y luego instale los aislantes siguiendo las figuras que se muestran a continuación.

Instale los aislantes de manera que cubran los tornillos de los separadores del chasis.

Alinee los aislantes con el extremo del separador central del chasis.



Consulte las siguientes figuras para ver la disposición una vez instalado el aislante.



7. Instalar aislantes a cada lado del congelador, del refrigerador o de la cava - Instalación lado a lado (Par)

Instale 2 aislantes en cada lado del congelador o del refrigerador. Según el tipo, los aislantes tienen tamaños diferentes. Verifique cuál es su modelo y luego instale los aislantes siguiendo las figuras que se muestran a continuación. Asegúrese de instalar un aislante grande en el punto de contacto.

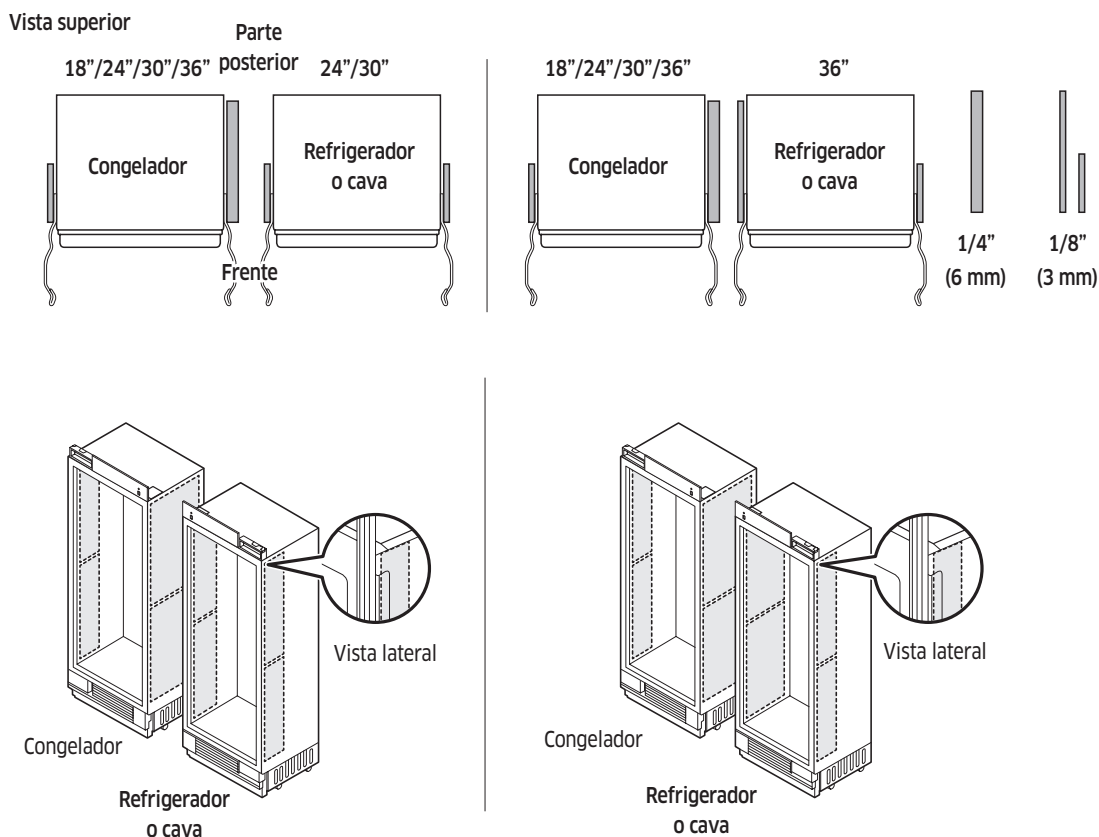
Instale los aislantes de manera que cubran los tornillos de los separadores del chasis.

Alinee los aislantes con el extremo del separador central del chasis. Después del emparejamiento, es posible que los aislantes sean visibles.

Ubicación del producto

1. Cuando el congelador está en el lado izquierdo

Consulte las siguientes figuras para ver la disposición una vez instalado el aislante.

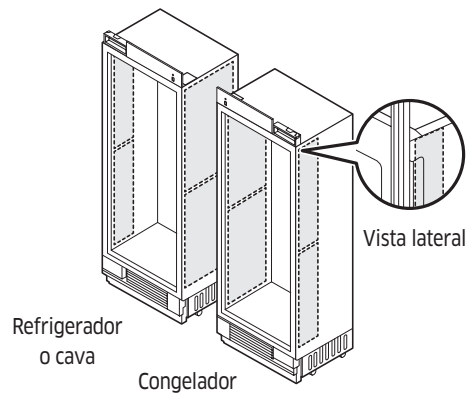
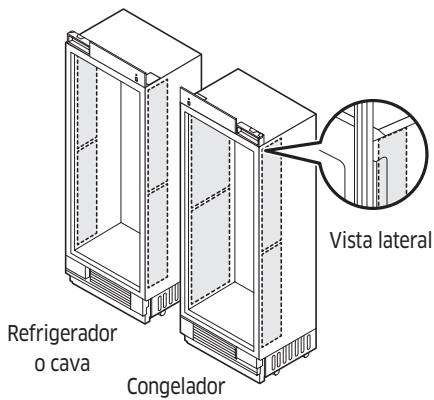
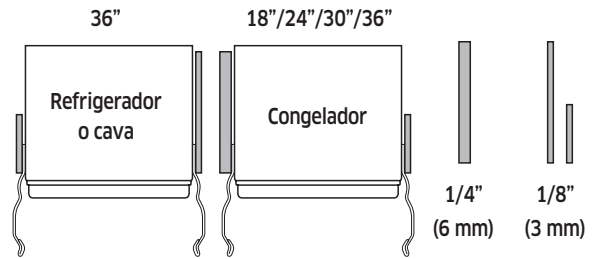
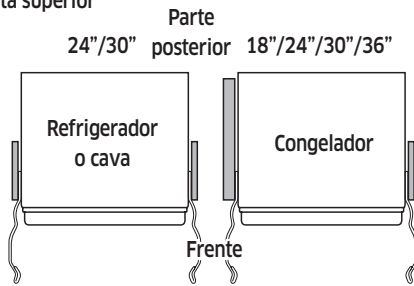


Instrucciones de instalación

2. Cuando el congelador está en el lado derecho

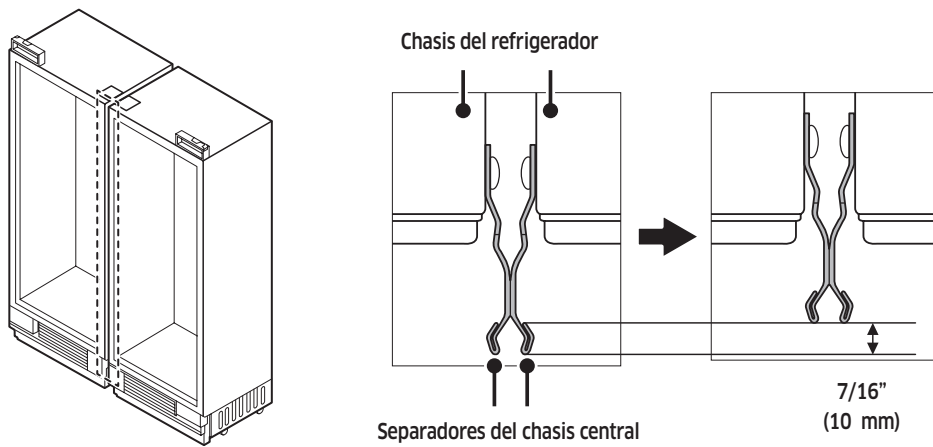
Consulte las siguientes figuras para ver la disposición una vez instalado el aislante.

Vista superior



Reposicionar los separadores centrales del chasis

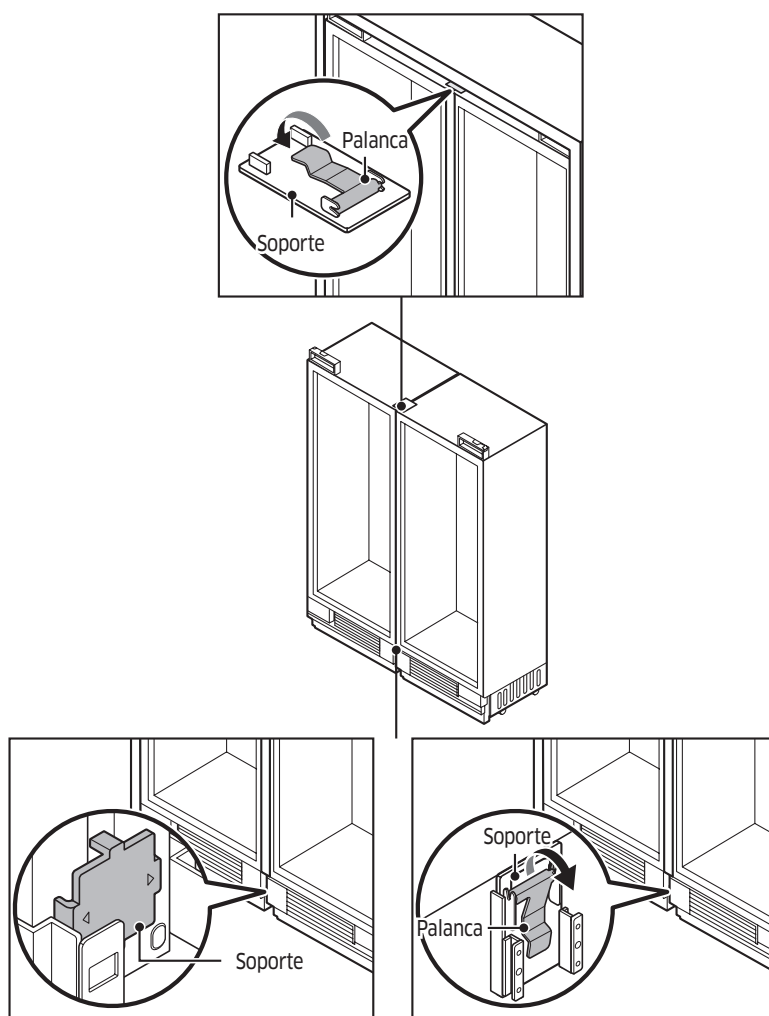
1. Retire el separador central del chasis del conjunto.
2. Coloque nuevamente los separadores a $7/16$ in (10 mm) de su posición original (ver el siguiente gráfico).



Instrucciones de instalación

8. Conectar los dos chasis

1. Hacer la conexión superior.
 - Coloque el soporte rectangular a las solapas que sobresalen de la parte superior de cada chasis (ver el gráfico).
 - Ajuste la palanca para conectar los dos chasis.
2. Hacer la conexión inferior.
 - Inserte el soporte en la ranura de la parte inferior de los dos chasis.
 - Ajuste la palanca para conectar los dos chasis.



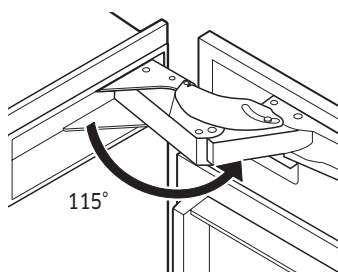
9. Ajuste del ángulo de apertura de la puerta

Como valor de fábrica, la puerta se abre 115 grados. Puede utilizar el limitador para disminuir el ángulo de apertura a 90 grados, dependiendo de las condiciones de instalación.

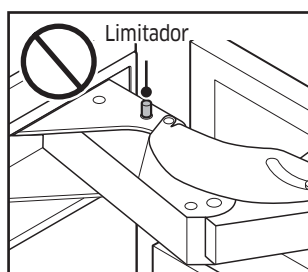
- Abra la puerta menos de 90 grados e inserte por completo el limitador por los agujeros superiores e inferiores de la bisagra superior como se muestra en las ilustraciones (1) y (2).
- Cierre la puerta y asegúrese de que el limitador no interfiera con la cubierta de la bisagra.

⚠ PRECAUCIÓN

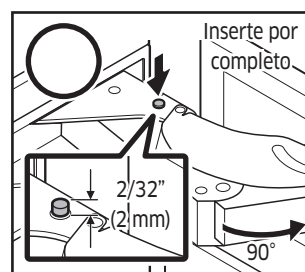
- Inserte el limitador antes de instalar el refrigerador en el gabinete.
- Si el limitador no se inserta por completo, la bisagra y la cubierta de la bisagra pueden resultar dañadas.



Configuración predeterminada de fábrica de 115°



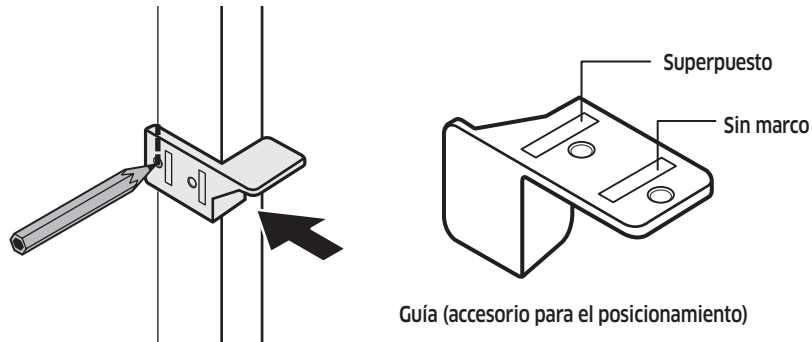
Con limitador 90°



Instrucciones de instalación

10. Colocación de la cava en su estructura

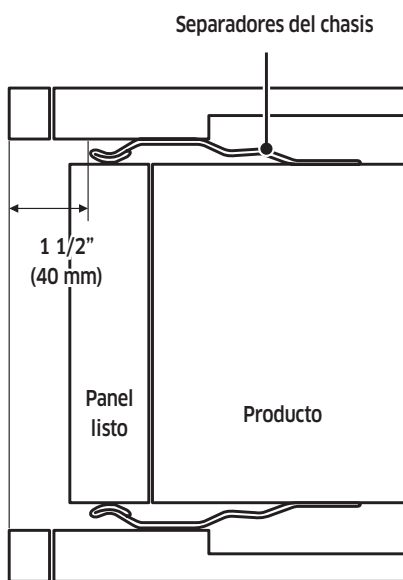
- De acuerdo con el tipo de gabinete puede utilizarse una guía (accesorio para el posicionamiento) para alinear el panel personalizado de la puerta del refrigerador con el gabinete mediante una línea vertical en el gabinete.



PRECAUCIÓN

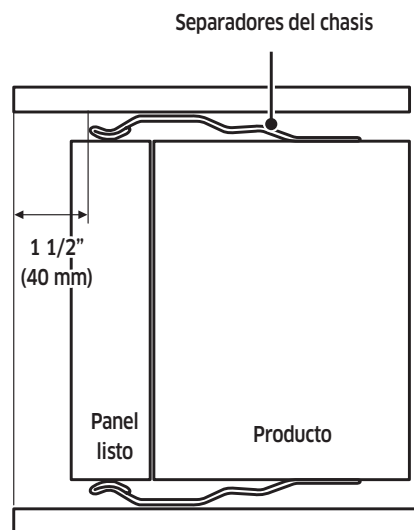
Asegúrese de posicionar el frente del separador del chasis de manera que se alinee con la línea vertical. De lo contrario, es posible que el refrigerador instalado se incline y la puerta no cierre completamente. Además, es posible que el sistema de apertura automática de la puerta no funcione normalmente.

Tipo superpuesto



Vista superior

Tipo sin marco



Vista superior

PRECAUCIÓN

Al empujar la cava dentro de la estructura, tenga cuidado de no dañar el cable de alimentación.

La manguera de agua debe ajustarse al piso antes de sacarla hacia el frente. También coloque el cable de alimentación detrás del electrodoméstico a fin de asegurar que nadie lo pise ni se tropiece con él.

ADVERTENCIA

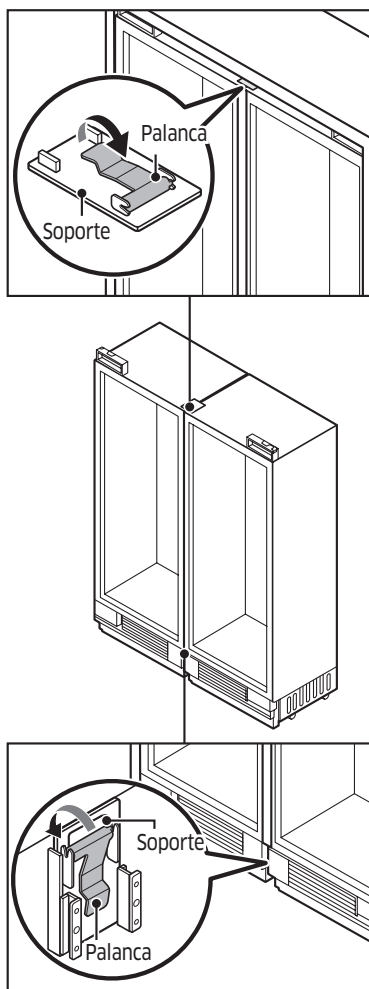
Mientras mueve la cava, tenga cuidado de no lesionar al personal que lo asiste ni dañar la cava en sí.

1. Antes de mover la cava, conecte el cable de alimentación.
2. Coloque el cartón o la madera de embalaje en el camino del refrigerador a fin de proteger el piso mientras mueve el electrodoméstico.
3. Empuje cuidadosamente la cava en su estructura.
4. Alinee el borde delantero del separador del chasis con la línea vertical que trazó en el gabinete.

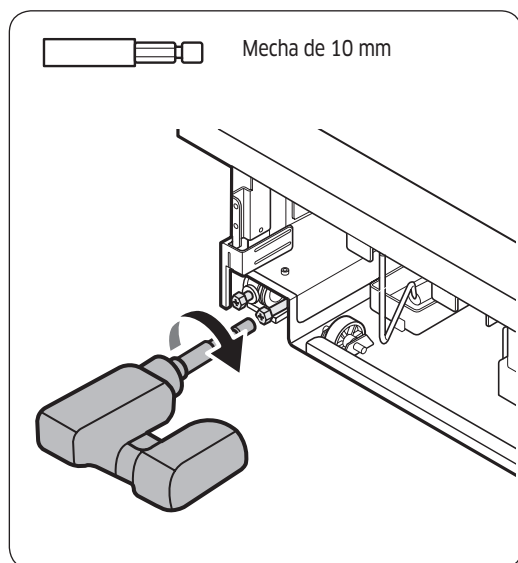
Instrucciones de instalación

11. Remoción de las dos palancas

- Para facilitar la nivelación de la cava, retire las palancas superior e inferior para desemparejar el chasis.
- Para desensamblar la palanca inferior, use un destornillador por la fuerza.



12. Nivelación de la cava



1. Utilice el taladro y la mecha que se ilustran a continuación y ajuste los ejes del ajuste del refrigerador y nivele el refrigerador. (CW ▲, CCW ▼)
2. Ajuste la separación entre el mueble y la cubierta superior del refrigerador a 1/8 in (3 mm).

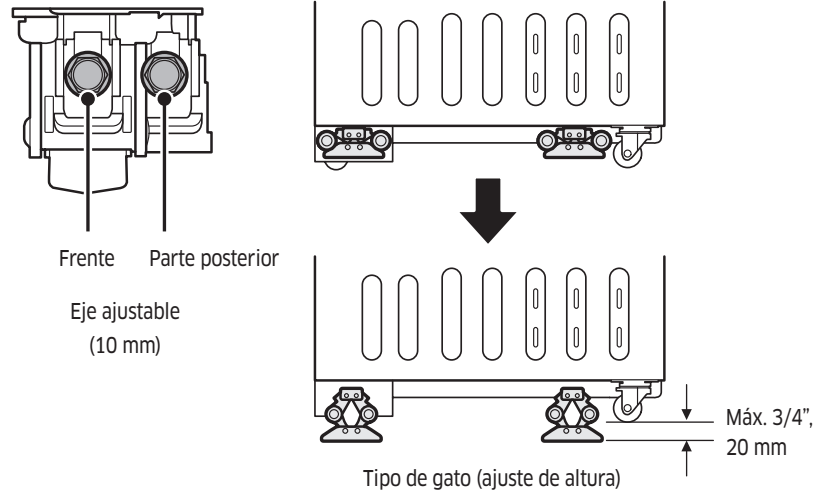
⚠ ADVERTENCIA

No utilice el taladro de impacto. Puede provocar daños.

⚠ PRECAUCIÓN

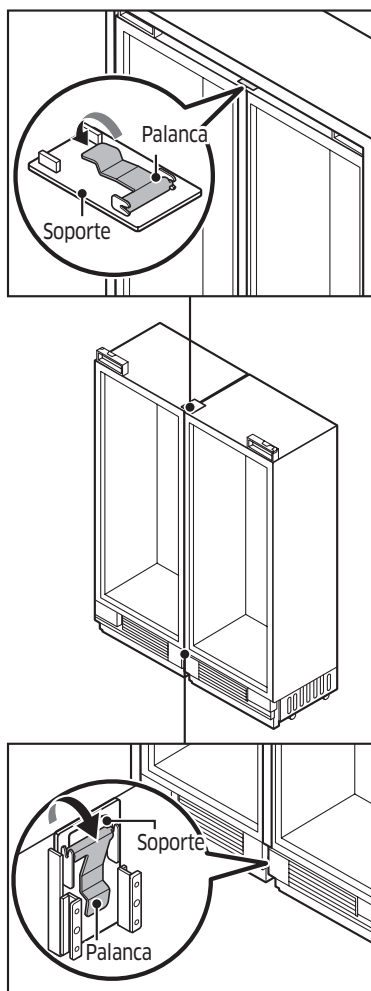
- Las patas niveladores frontales y traseros tienen una altura máxima de ajuste de 3/4" (20 mm).
- Para elevar más el refrigerador, colóquelo sobre una placa de madera o tabla corrediza.
- Elevar el refrigerador más de 3/4" (20 mm) dañará los componentes de nivelación delanteros y traseros.
- Después del emparejamiento, asegúrese de nivelar ambos dispositivos al mismo tiempo. No los nivele en forma secuencial uno después de otro. De lo contrario, es posible que el gato no funcione adecuadamente.

Instrucciones de instalación



13. Colocación de las dos palancas

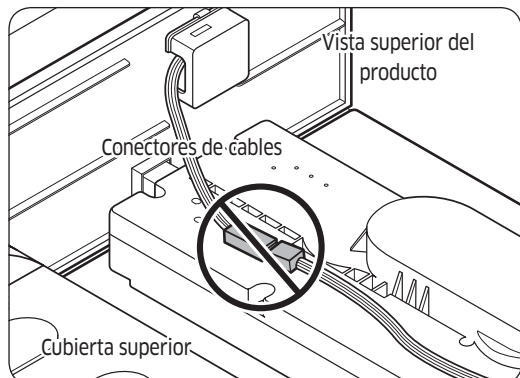
- Fije las palancas superior e inferior para emparejar el chasis.



Instrucciones de instalación

14. Colocación de la cubierta superior de la cava

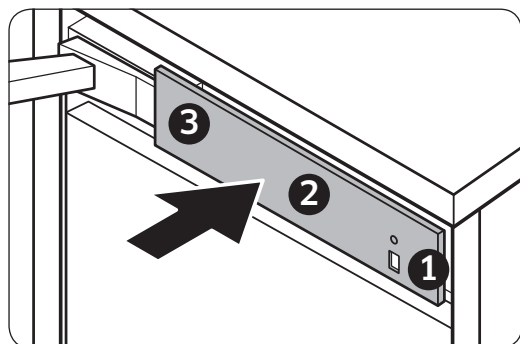
El sensor de intensidad de la luz está instalado en la cubierta superior. La cava no utiliza el sensor de intensidad de la luz, así que no conecte el conector del sensor.



1. Conecte los cables de las partes eléctricas de alrededor del equipo de apertura automática de la puerta y luego inserte los cables en la tubería rectangular.

⚠ PRECAUCIÓN

Tenga cuidado de no dañar los cables.



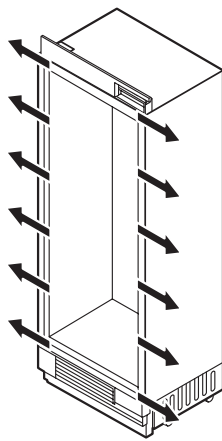
2. Para colocar la cubierta superior, fije los ganchos en el orden de los números que se muestran en la figura.

15. Ajuste de la cava

Ajuste el refrigerador a su estructura con tornillos (TH) M4x16 (6 tornillos por lado como se ilustra en el gráfico).

PRECAUCIÓN

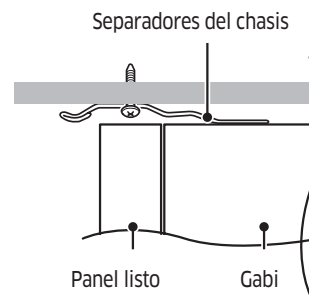
Asegúrese de que el electrodoméstico esté nivelado. Si no está nivelado, el soporte para botellas puede deslizarse hacia adelante o hacia atrás.



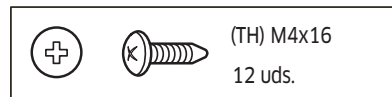
Ubicación fija



Separadores del chasis



Vista superior



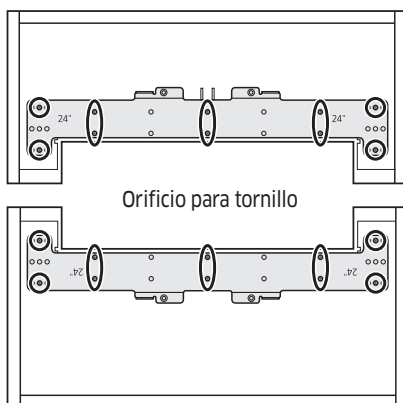
Instrucciones de instalación



16. Colocar los soportes del panel personalizado de la puerta

Ajuste los soportes del panel a la parte superior e inferior del panel.

Panel personalizado: STS

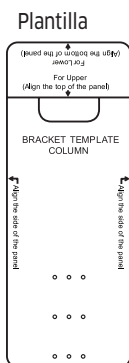
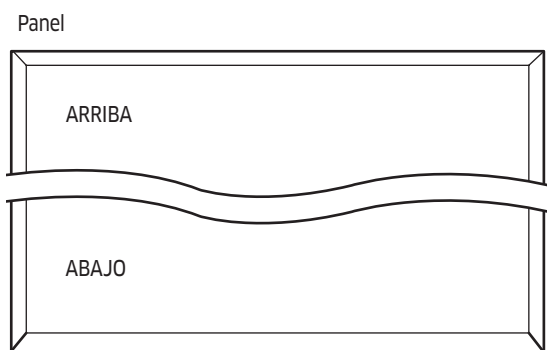
Coloque 10 tornillos en los soportes superiores e inferiores como se ilustra en el gráfico. (Los otros orificios en los laterales de los soportes son para otra aplicación).





  (FH) M4x14 20 uds.
SUP : 10 uds / INF: 10 uds.

Panel personalizado: Madera, otro

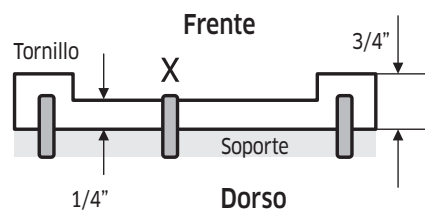
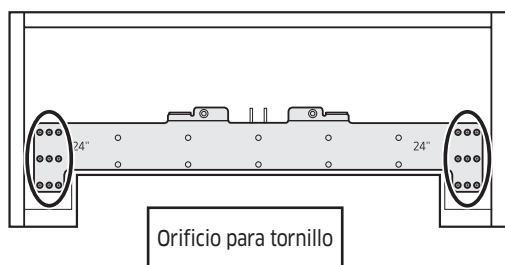
- La plantilla le indica la posición del soporte y los orificios.
- Marque la posición de los orificios en cada esquina del panel de acuerdo con la plantilla e inserte los tornillos.



  (FH) M4x14 20 uds.
SUP : 10 uds / INF: 10 uds.

Panel personalizado: Empotrado, otro

Si, por el tipo de diseño, el panel no pudiera ajustarse al centro del soporte, utilice los orificios adecuados en los laterales del soporte para ajustar el panel.



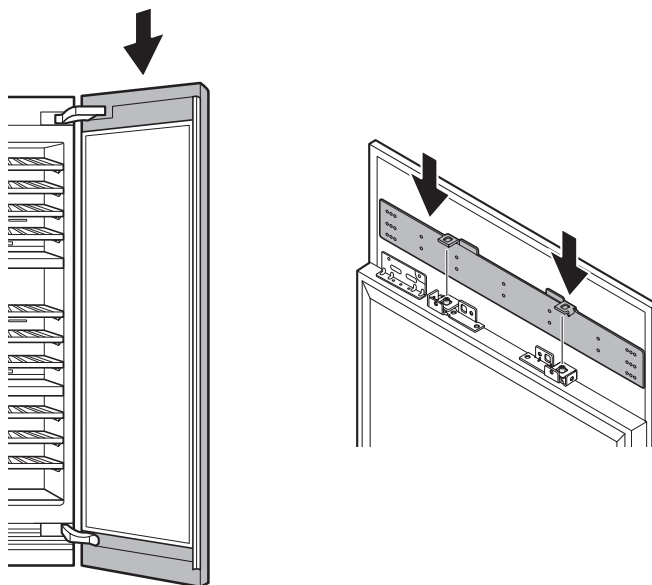
Instrucciones de instalación

17. Colgar un panel personalizado

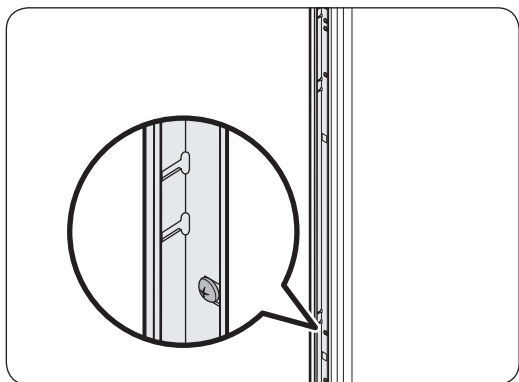
⚠ ADVERTENCIA

Si instala un panel personalizado antes de ajustar el electrodoméstico al gabinete, el panel personalizado podría caerse. A fin de evitarlos, debe seguir las instrucciones de instalación.

- Cuelgue el soporte del panel a la altura del tornillo de ajuste. (Ver el gráfico.)

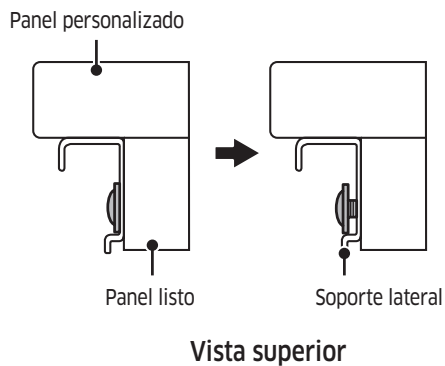
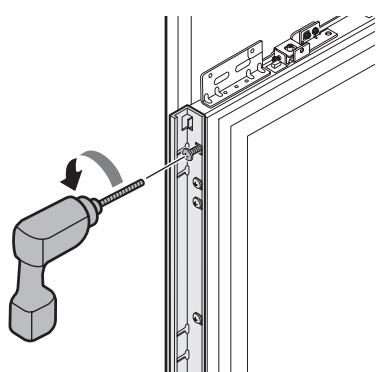


18. Preparar el panel para el ajuste



1. Instale temporalmente el panel personalizado en el lado de la puerta ajustando el tornillo en el centro del panel.

2. Afloje, sin retirar, los seis tornillos sobre el lateral de la puerta a fin de que pueda ajustar el panel personalizado en sentido vertical.



Instrucciones de instalación

19. Alinear el panel

NOTA

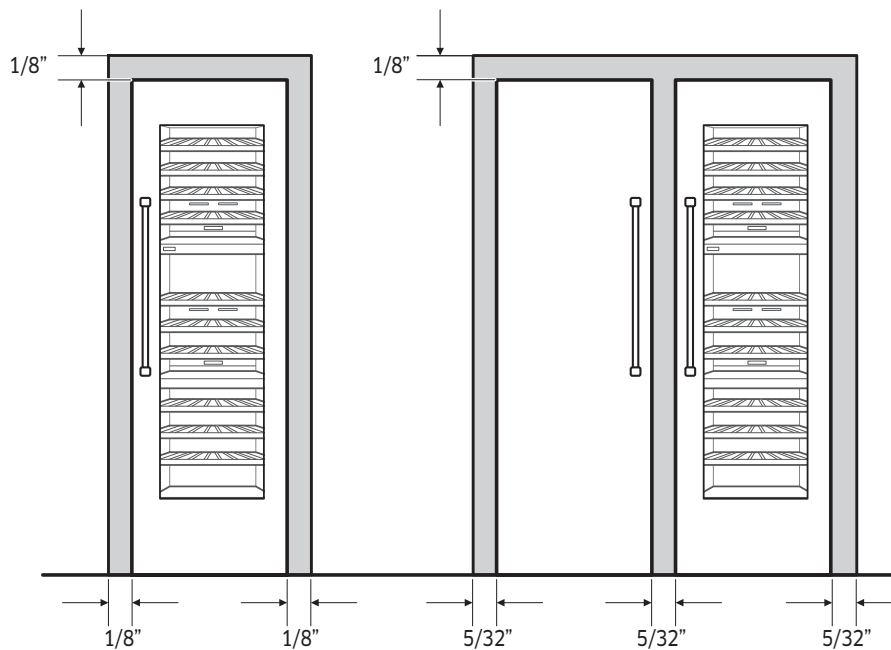
Cada panel personalizado se provee con 12 tornillos especiales para un ajuste preciso. Utilice la mínima cantidad de tornillos para ajustar el panel personalizado con el gabinete. Una vez finalizado el ajuste, fije el panel personalizado con la tuerca superior.

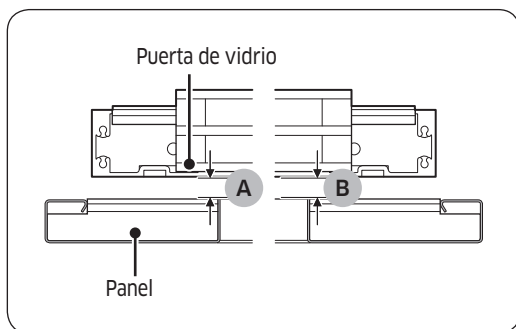
Hay dos mecanismos de ajuste de los paneles en la parte superior y dos en la parte inferior de la puerta.

Ajuste el panel de modo que se alinee con los gabinetes cercanos.

El espacio entre el gabinete y el panel debe ser de:

- 1/8" (3 mm) en la parte superior
- 1/8" (3 mm) en el lateral para una instalación simple
- 5/32" (4 mm) en el lateral para una instalación en par





El espacio entre la puerta de vidrio y el panel debe ser el mismo sobre todos los lados (superior, inferior, izquierda y derecha) o la diferencia no debe superar los $2/32''$ (2 mm). (Por ejemplo, si **A** es 2 mm, **B** no debe superar los 4 mm).

Parte superior de la puerta

1. Utilice tornillos de rosca doble para alinear el panel de la puerta.
2. Ajuste un tornillo lateral (ver el gráfico) para colocar el panel lado a lado.
3. Ajuste el Tornillo 1 (ver el gráfico) para mover el panel hacia adelante/atrás; ajuste el Tornillo 2 para fijar el panel en su lugar.

Instrucciones de instalación

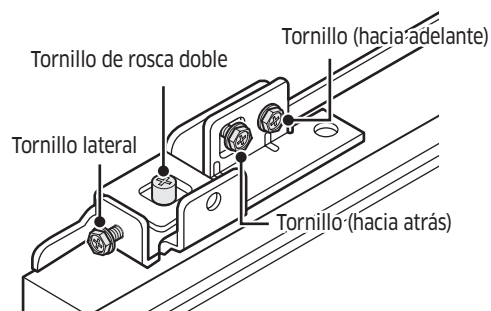
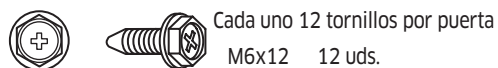
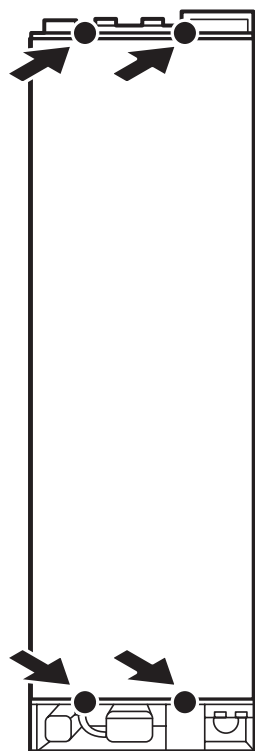
1. Ajuste un perlo de doble rosca (ver el gráfico) para mover el panel hacia arriba y hacia abajo.
2. Ajuste un tornillo lateral (ver el gráfico) para colocar el panel lado a lado.

⚠ PRECAUCIÓN

Tenga cuidado de no dañar los cables al ajustar el tornillo lateral.

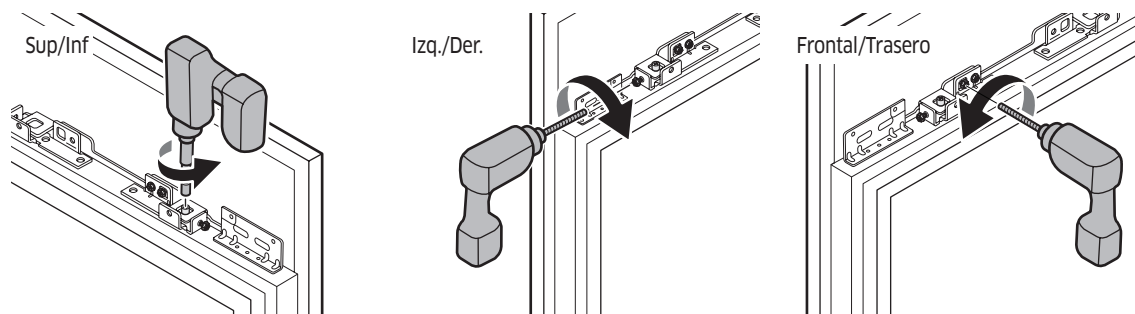
3. Ajuste el tornillo (hacia atrás) (ver el gráfico) para mover el panel hacia adelante/atrás; ajuste el tornillo (hacia adelante) para fijar el panel en su lugar.

● Mecanismos de ajuste de panel

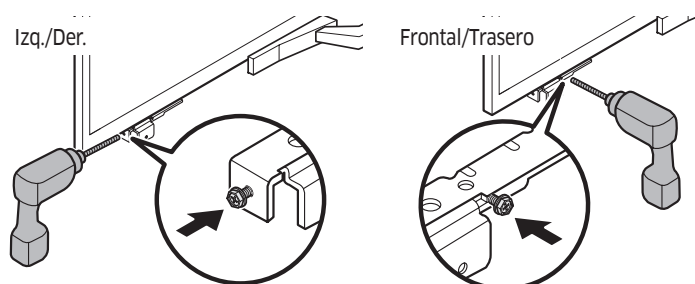


Mecanismo de ajuste de panel

Parte superior de la puerta

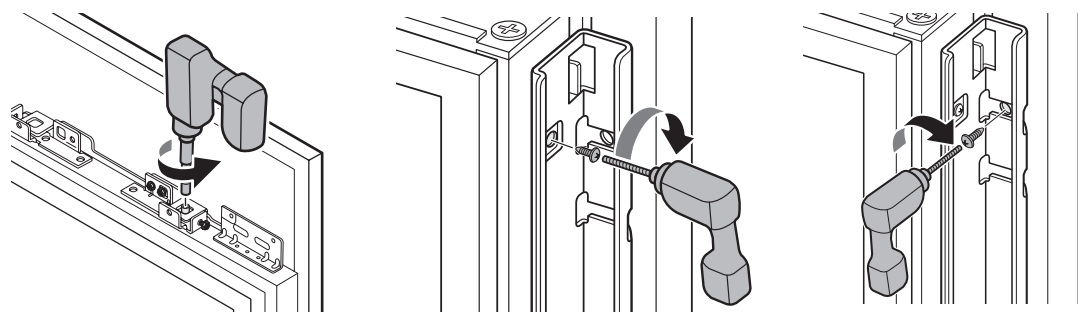


Parte inferior de la puerta



Ajustar el panel a la puerta

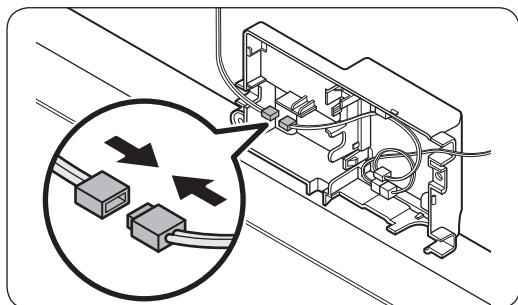
1. Ajuste las tuercas correctamente a los tornillos de tuerca doble.
2. Ajuste los tornillos para armar el panel y la puerta como se muestra en la figura.



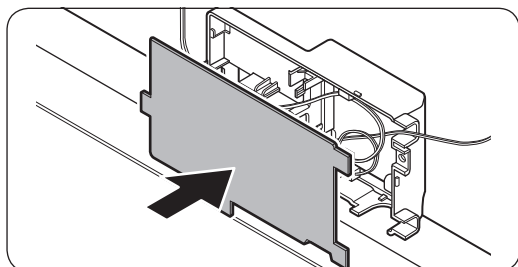
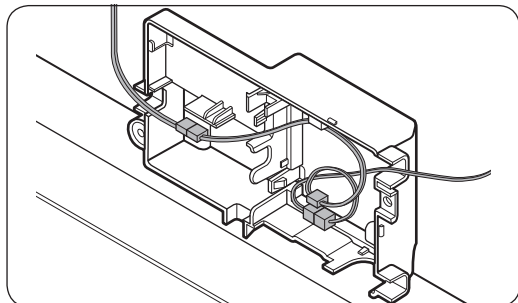
Instrucciones de instalación

20. Colocar las cubiertas interiores de la puerta

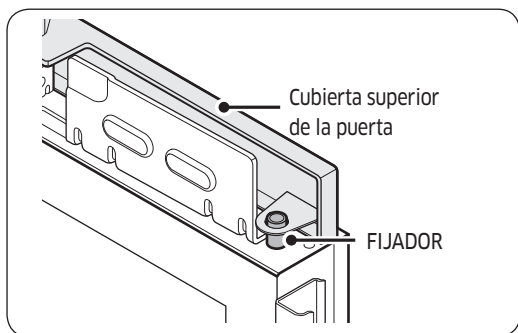
Cubierta superior de la puerta



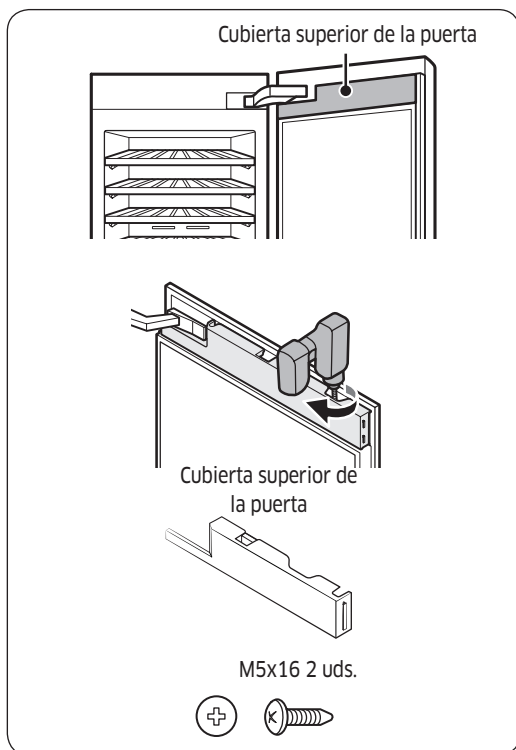
1. Conecte el conector del sensor de humedad, y luego coloque los cables como se muestra en la figura.



2. Arme la cubierta interna.



3. Inserte ambos anillos laterales de la cubierta de la puerta superior en el fijador.

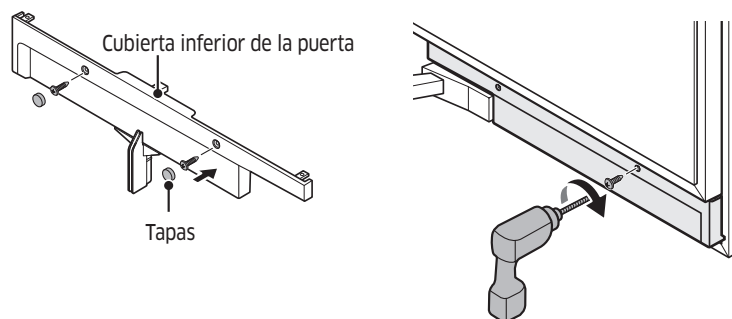


4. Ajuste los 2 tornillos para fijar la cubierta superior de la puerta.

Instrucciones de instalación

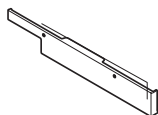
Cubierta inferior de la puerta

1. Coloque la guía de aire en la cubierta inferior de la puerta (2 tornillos por conjunto).
2. Coloque la cubierta inferior de la puerta ajustando los tornillos en el frente (2 tornillos por conjunto).
3. Ajuste las tapas sobre los orificios de los tornillos.



Cubierta inferior de la puerta

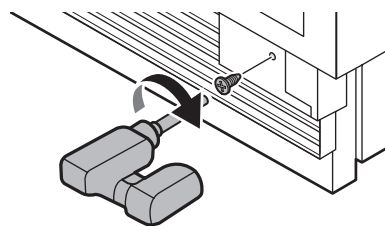
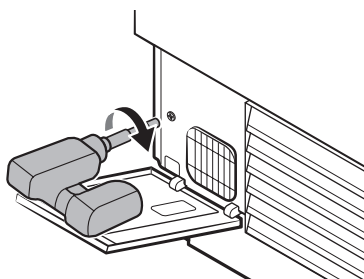
(FH) M4x14 2 uds.



21. Colocar la rejilla, la placa de protección y el zócalo (opcional)

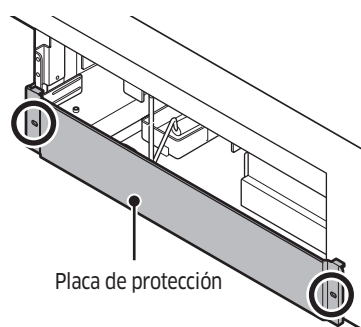
Colocar la rejilla

- Ajuste bien los tornillos de ambos lados para fijar la rejilla.
De lo contrario, es posible que la puerta no se cierre completamente.

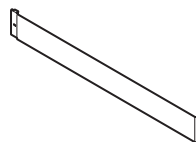


Colocar la placa de protección

- Inserte los tornillos de ambos lados para fijar la placa de protección.



Placa de protección



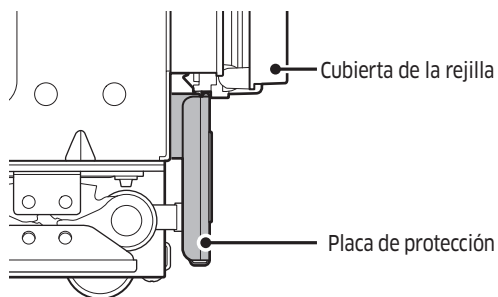
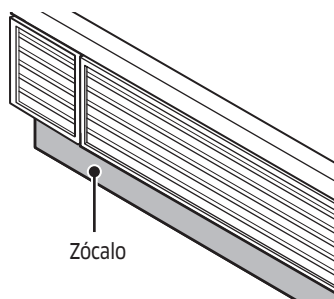
M4x8 2 uds.



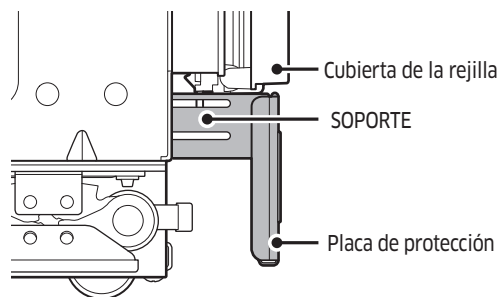
Instrucciones de instalación

Colocar el zócalo

- La altura del producto puede ajustarse entre 83 3/8" y 84 3/8".
- Si desea utilizar el zócalo Dacor provisto (4"), tenga en cuenta que está diseñado para un producto de 83 7/8" de altura y un gabinete de 84" de altura.
- Si desea utilizar un zócalo no provisto por Dacor, ajuste la altura de este según sea necesario.
- Puede extender el soporte para mover la placa de protección un máximo de 32 mm hacia el frente.



Configuración predeterminada de fábrica



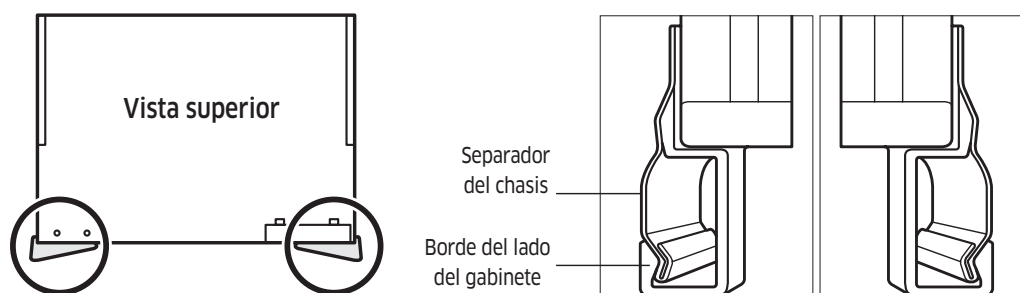
32 mm hacia el frente

22. Colocación del borde de la cava

1. Borde del lado del gabinete: Coloque el borde entre el refrigerador y el gabinete.

⚠ ADVERTENCIA

Vuelva a verificar si surge algún problema después de la instalación.



2. Borde del lado de la puerta: Coloque el borde en el soporte del lado de la puerta.

- Consulte la figura 1-1 y fije el borde lateral de la puerta en el soporte. Asegúrese de que el borde esté colocado correctamente.
- Consulte la figura 2-2 y fije el borde lateral de la puerta en el soporte. Asegúrese de que el borde esté bien sujeto, sin espacio en el medio tanto en la parte superior (figure 2-3) como en la inferior (figure 2-4).

⚠ ADVERTENCIA

Vuelva a verificar si surge algún problema después de la instalación.

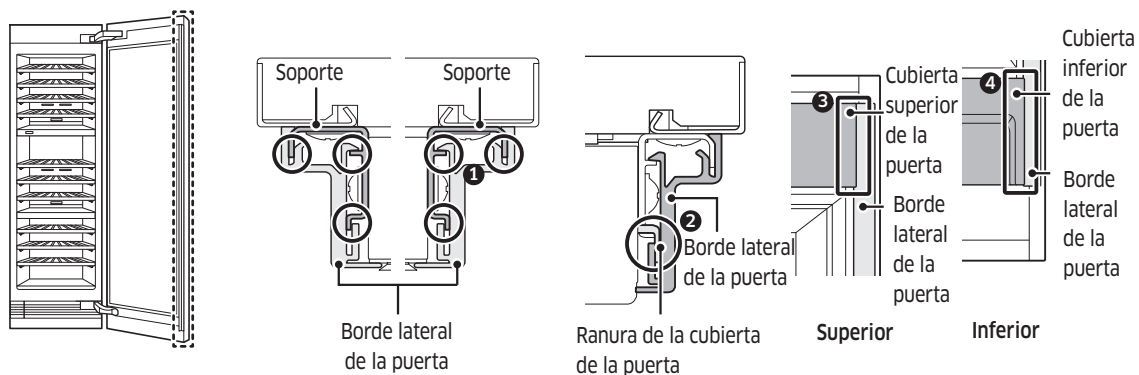


Figura 1

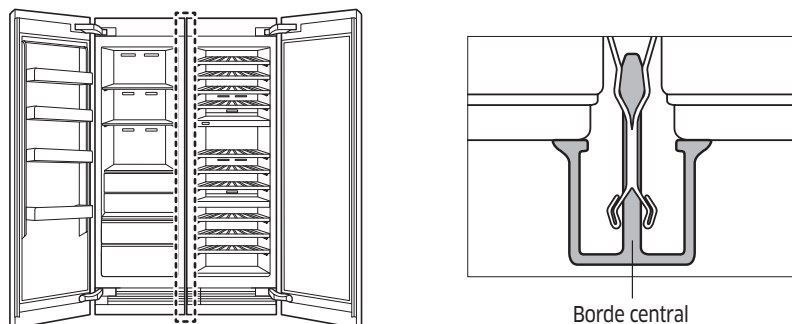
Figura 2

Instrucciones de instalación

3. (Solo para la instalación lado a lado) Borde central: Coloque el borde entre el chasis del refrigerador.

⚠️ ADVERTENCIA

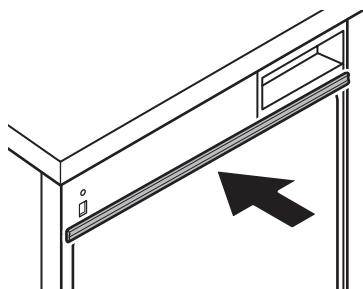
Vuelva a verificar si surge algún problema después de la instalación.



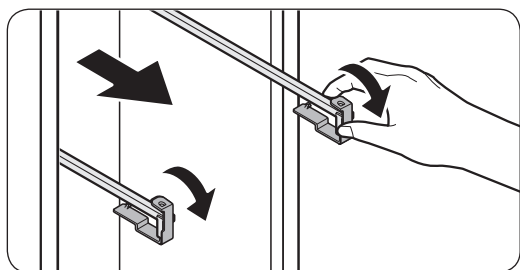
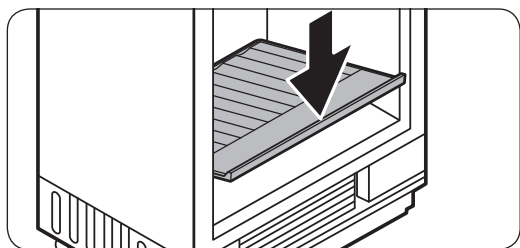
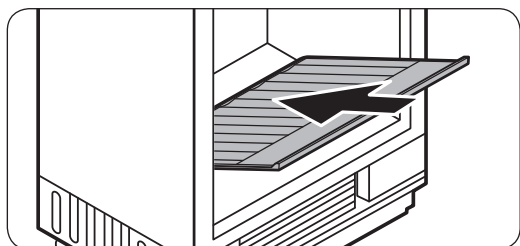
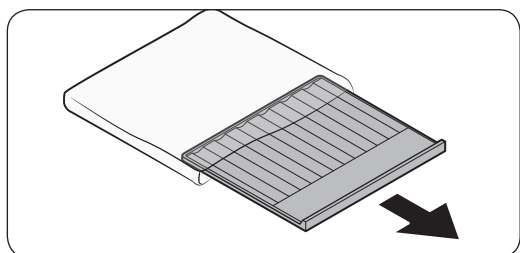
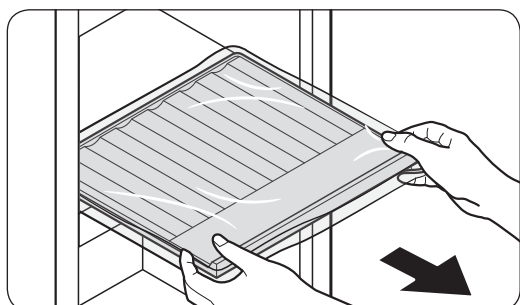
23. Instalar el borde de la cubierta superior

Instale el borde de la cubierta superior en la parte inferior de esta.

- Para instalación en par, corte de modo que encaje con el ancho del borde de la cubierta superior e instálolo.



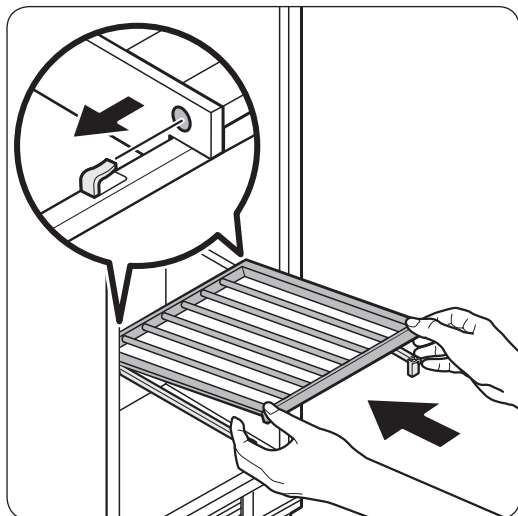
24. Armado del soporte para botellas



1. Retire el embalaje de la parte inferior del soporte para botellas y luego colóquelo en la parte inferior de la cava.

2. Retire el fijador del riel.

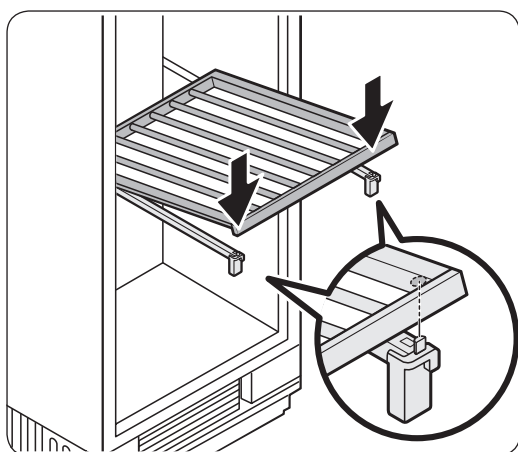
Instrucciones de instalación



3. Sostenga la parte frontal del soporte para botellas y el riel y luego empuje el soporte para botellas de manera que el gancho de la parte trasera del riel se inserte en el orificio de la parte trasera del soporte para botellas como se ilustra en la imagen.

NOTA

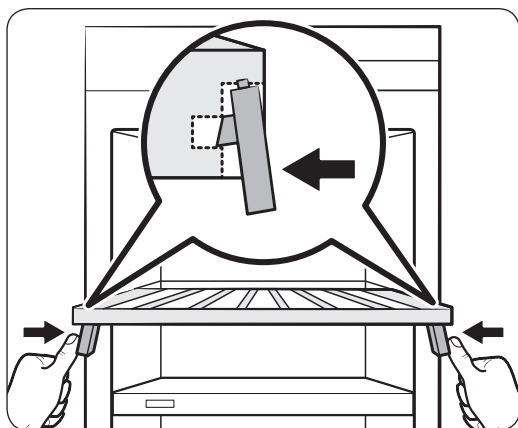
Asegúrese de que los ganchos de ambos rieles queden insertados adecuadamente en el soporte.

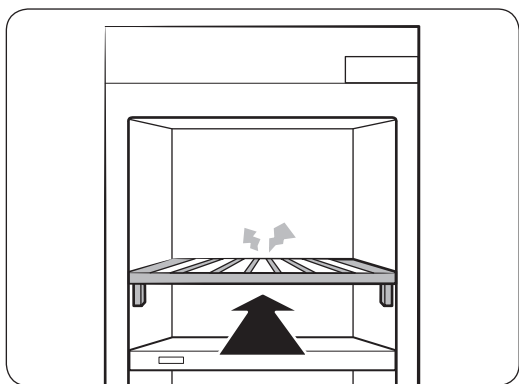
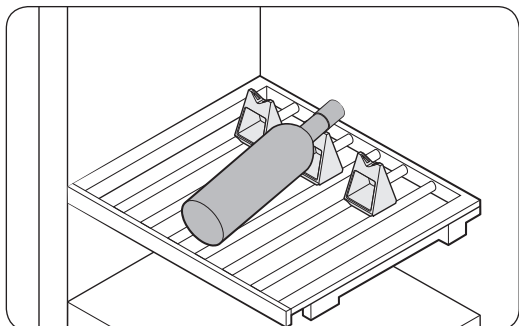
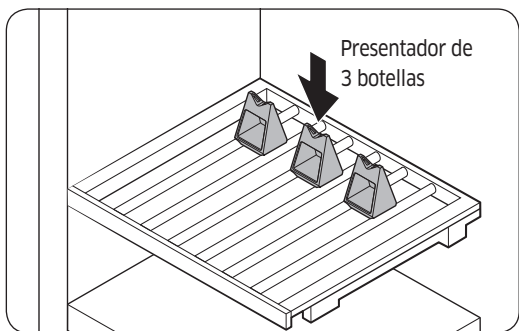
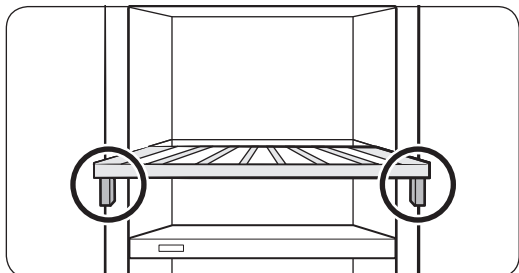


4. Ajuste la parte frontal del soporte para botellas colocándolo en la parte frontal del riel de modo que las dos clavijas de la parte superior y lateral del soporte se inserten en los orificios de la parte frontal del soporte como se ilustra en la imagen.

NOTA

Asegúrese de que las clavijas de ambos rieles queden insertadas adecuadamente en los orificios del soporte.





5. Coloque el presentador de 3 botellas en la Zona de presentación del soporte para botellas.

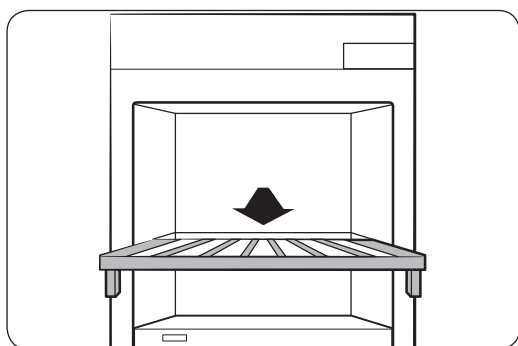
6. Deslice el soporte para botellas hasta que oiga un clic.

Instrucciones de instalación

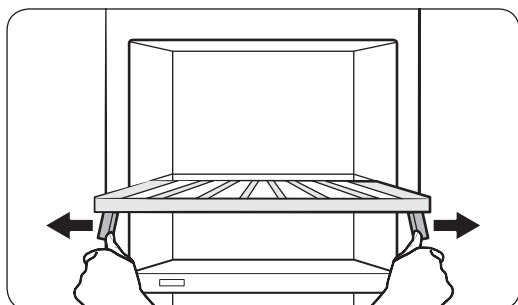
⚠ ADVERTENCIA

- Asegúrese de que el electrodoméstico esté nivelado. Si no está nivelado, el soporte para botellas puede deslizarse hacia adelante o hacia atrás.
- Asegúrese de que el soporte para botellas esté ajustado firmemente.

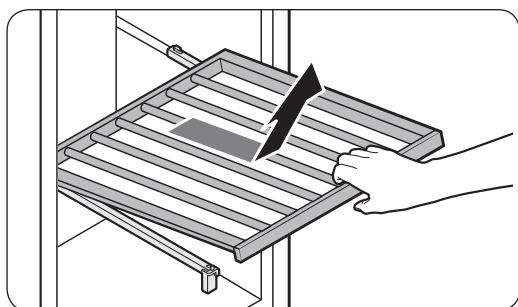
25. Desarmado del soporte para botellas



1. Tire del soporte para botellas.



2. Separe suavemente los soportes y levante la parte frontal para liberarla de las clavijas.



3. Tire del soporte para botellas para retirarlo.

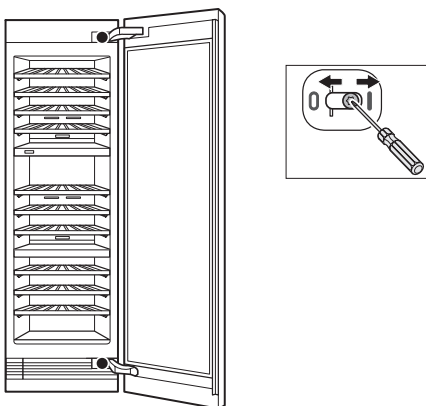
26. Ajuste del resorte de la puerta

Ajuste la tensión del resorte de la puerta de acuerdo con el tamaño del producto.

Con un destornillador con punta de estrella, gire el tornillo de ajuste.

I = presión máxima del resorte

0 = sin tensión del resorte



27. Limpieza

Retire el vinilo de protección.

Instrucciones de instalación

28. Lista de verificación de instalación

Asegúrese de que el soporte para botellas funcione adecuadamente y de que el panel personalizado de la puerta esté alineado con los gabinetes cercanos.

ADVERTENCIA

- El instalador debe completar la siguiente lista de verificación a fin de garantizar que el soporte para botellas esté instalado de manera segura y correcta, funcione correctamente y que no se haya pasado por alto ninguna parte de la instalación.
- La instalación adecuada es responsabilidad del dueño de casa. **La importancia de una instalación adecuada de su electrodoméstico Dacor es primordial.**

Lista de verificación de instalación

- ¿La unidad se ha inspeccionado a fin de detectar daños estéticos?
- ¿La unidad está adecuadamente alineada con los gabinetes adyacentes?
- ¿Todas las puertas, cajones y estantes funcionan sin problemas ni interferencias?
- ¿Toda la cinta de embalaje y la literatura se han retirado de dentro y fuera del electrodoméstico?
- ¿El cable de alimentación está conectado a un tomacorriente de tres clavijas y con conexión a tierra que cumple con las especificaciones eléctricas?
- ¿La unidad se ha nivelado adecuadamente?
- ¿El espacio entre la puerta de vidrio y el panel es adecuada? (Consulte la página 53.)
- ¿Se ha instalado correctamente el soporte antivuelco?
- ¿Ha funcionado correctamente el sistema de apertura automática de la puerta?
- ¿Todos los componentes del refrigerador funcionan correctamente?
- ¿La garantía se ha activado en línea o se ha completado la tarjeta de garantía y se ha enviado por correo?
- ¿El electrodoméstico está nivelado?
- ¿El soporte para botellas está ajustado firmemente?
- ¿Ha demostrado al usuario cómo armar y desarmar el soporte para botellas de acuerdo con el manual del usuario?

Notas

Notas

Notas



DA68-03621J-02

dacor[®]

Dacor • 14425 Clark Avenue, City of Industry, CA 91745 • Teléfono: (833) 353-5483 • Fax: (626) 403-3130 • www.dacor.com



dacor[®]

Instructions d'installation

Cave à vins intégrée

DRW24980RAP/LAP

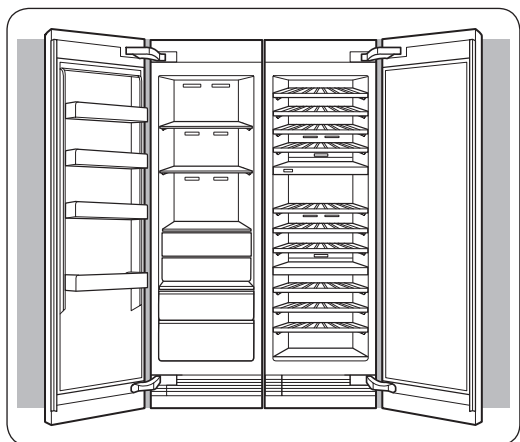
Table des matières

Avant de commencer	4
Important	4
Informations relatives au service client	5
En cas de besoin	5
Consignes importantes relatives à la sécurité	6
Avertissement de la proposition 65 de l'État de Californie (États-Unis uniquement)	6
Consignes de sécurité générales	7
Consignes de sécurité et avertissements	11
Sécurité lors de l'installation	11
Spécifications relatives à l'installation	13
Options d'installation	14
Caractéristiques techniques de l'appareil	16
Caractéristiques techniques du panneau personnalisé	17
Caractéristiques techniques de la poignée	18
Installation	20
Exigences relatives à l'installation	21
Préparation à l'installation	21
Mise à la terre de la cave à vin	24
Exigences spécifiques au meuble	25

Instructions d'installation	26
1. Déballage de la cave à vin	26
2. Déplacement de la cave à vin	27
3. Préparation à l'installation	28
4. Fixation du support antibasculement	28
5. Retrait du cache supérieur de la porte, plinthe	31
6. Fixation des isolants sur le côté de la cave à vin - Installation d'un seul appareil	34
7. Fixation des isolants sur le côté du congélateur, du réfrigérateur ou de la cave à vin - Installation côte à côte (duo d'appareils)	35
8. Relier les deux châssis	38
9. Ajustement de l'angle d'ouverture de la porte	39
10. Placement de la cave à vin dans son caisson	40
11. Retrait des deux molettes	42
12. Mise à niveau de la cave à vin	43
13. Fixation des deux molettes	45
14. Fixation du cache supérieur de la cave à vin	46
15. Fixation de la cave à vin	47
16. Fixation des supports du panneau personnalisé de la porte	48
17. Fixation d'un panneau personnalisé	50
18. Préparation du panneau pour l'ajuster	51
19. Alignement du panneau	52
20. Fixation des caches intérieurs de la porte	56
21. Fixation du gril, de la plinthe et de la patte (en option)	59
22. Fixation de l'habillage de la cave à vin	61
23. Fixation du cache supérieur de l'habillage	62
24. Installation de la cave à vin	63
25. Démontage de la cave à vin	66
26. Ajustement du ressort de la porte	67
27. Nettoyage	67
28. Liste de vérifications pour l'installation	68

Avant de commencer

Important



- La conception générale et/ou les accessoires peuvent varier d'un modèle à un autre.

Installateur

- Par mesure de sécurité et pour atténuer les problèmes, lisez attentivement ce manuel, dans son intégralité, avant de procéder à l'installation. L'utilisateur doit pouvoir consulter ce manuel.
- Notez les numéros de série/modèle de l'appareil dans ce manuel à titre de référence pour l'entretien/maintenance.
- Les numéros de série/le modèle figurent sur l'étiquette de données dans le compartiment de la cave à vin.

Utilisateur

- Conservez ce manuel afin vous puissiez vous y référer ultérieurement, tout comme les techniciens, le personnel de service, etc.

CONSERVEZ CES INSTRUCTIONS

Informations relatives au service client

En cas de besoin

Pour toute question ou tout problème relatif à l'installation, contactez votre revendeur Dacor® ou l'équipe d'assistance clientèle Dacor. Si votre appareil Dacor est sous garantie, appelez le service différencié Dacor. Préparez les numéros de série/modèle de votre appareil avant d'appeler. (Ces numéros figurent sur l'étiquette de données du montant droit de la porte à l'intérieur du réfrigérateur.)

Assurance clientèle Dacor

Téléphone : 833-35-ELITE (833-353-5483) États-Unis, Canada

Du lundi au vendredi, de 5 h 00 à 17 h 00 heure du Pacifique

Site Web : www.dacor.com/customer-care/contact-us

insérer ici : Informations relatives à l'appareil : knowledgebase.dacor.com

Toutes les spécifications peuvent être modifiées sans préavis. Dacor n'est pas responsable des changements apportés aux spécifications.

© 2017 Dacor, tous droits réservés.

CONSERVEZ CES INSTRUCTIONS

Consignes importantes relatives à la sécurité

Les Consignes importantes relatives à la sécurité et les avertissements fournis dans les présentes instructions ne sont pas destinés à traiter tous les problèmes et conditions possibles pouvant survenir. Faites preuve de bon sens et de précaution lors de l'installation, de la maintenance ou de l'utilisation de cet appareil ou de tout autre.

Prenez toujours contact avec l'équipe d'assistance clientèle Dacor en cas de problèmes ou de conditions que vous ne comprenez pas. Voir **Informations relatives au service client**.

Étiquettes et symboles de sécurité

Ces alertes ont pour but d'attirer votre attention sur des éléments importants dans le manuel.

Dès lors que vous voyez ces symboles ou étiquettes, lisez attentivement le message correspondant avant de poursuivre.

DANGER

Dangers immédiats qui **CAUSERONT** des blessures graves voire mortelles.

AVERTISSEMENT

Pratiques inadaptées ou dangereuses **SUSCEPTIBLES** de causer des blessures graves, voire mortelles.

ATTENTION

Pratiques inadaptées ou dangereuses **SUSCEPTIBLES** de causer des blessures légères ou des dommages matériels.

Avertissement de la proposition 65 de l'État de Californie (États-Unis uniquement)

AVERTISSEMENT : Ce produit contient des substances chimiques considérées par l'État de Californie comme étant cancérigènes ou à l'origine de malformations congénitales ou d'autres troubles de la reproduction.

CONSERVEZ CES INSTRUCTIONS

AVERTISSEMENT : gaz réfrigérant R600a

Cet appareil contient du réfrigérant isobutane (R-600a), un gaz naturel présentant une compatibilité écologique élevée ; toutefois, il est aussi inflammable. Veuillez vous conformer aux avertissements ci-dessous.

- Lorsque vous manipulez, installez et utilisez l'appareil, veillez à éviter d'endommager le tube du réfrigérant.
- L'entretien doit être effectué par un membre du personnel d'entretien autorisé par le fabricant et les pièces des composants doivent être remplacées par des composants autorisés par le fabricant.
- Les produits de réfrigération contiennent des réfrigérants devant être retirés préalablement à la mise au rebut de l'appareil, conformément aux lois fédérales.
- N'obstruez pas les orifices de ventilation à l'intérieur de l'appareil ou de son caisson ou à l'intérieur de la structure encastrée.
- Afin d'éviter la création d'un mélange gaz-air inflammable lorsqu'une fuite se produit dans le circuit frigorifique, la taille de la pièce où l'appareil peut être placé doit être déterminée en fonction de la quantité de gaz réfrigérant utilisée. La pièce doit avoir un volume de 35,3 pi³ pour chaque 8 g de gaz réfrigérant R-600a à l'intérieur de l'appareil.
- L'emplacement choisi pour l'installation ne doit pas être exposé à la lumière directe du soleil et ne doit pas être placé à proximité d'une source de chaleur ou d'autres appareils électriques, par exemple une cuisinière, une table de cuisson, un four ou encore un radiateur.
- Pour des raisons de sécurité, si vous utilisez deux produits côte à côte, assurez-vous d'utiliser des produits certifiés dans les atmosphères contenant des gaz explosifs.
- N'utilisez pas de dispositifs mécaniques ou autres pour accélérer le processus de dégivrage.
- N'endommagez pas le circuit frigorifique.
- N'utilisez pas d'appareils électriques à l'intérieur du compartiment de stockage des aliments de l'appareil.

Consignes de sécurité générales

DANGER

IMPORTANT :

Afin d'éviter que des enfants ne s'étouffent ou ne se retrouvent coincés lors de la mise au rebut d'un appareil usé :

- Retirez les portes.
- Ne retirez pas les grilles afin que les enfants ne puissent pas facilement monter dans le réfrigérateur.
- Coupez les broches de la fiche d'alimentation et jetez-les.
- Débranchez le câble d'alimentation et mettez-le au rebut séparément de l'appareil usé.

CONSERVEZ CES INSTRUCTIONS

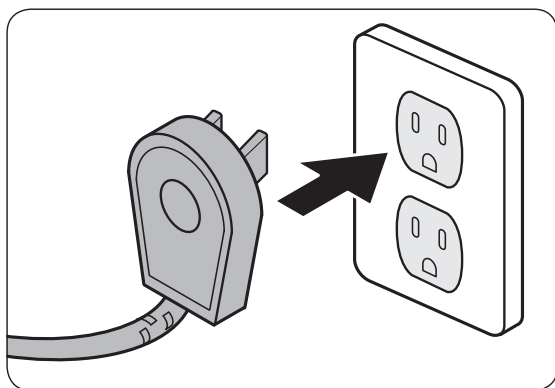
Consignes importantes relatives à la sécurité

Afin d'éviter tout risque d'explosion ou d'incendie, ne stockez pas et n'utilisez pas de vapeurs et de liquides combustibles, inflammables ou explosifs (tels que de l'essence) à l'intérieur ou à proximité de cet appareil ou de tout autre. Conservez également tous les éléments qui risquent d'exposer (aérosols par exemple) à distance des brûleurs de table de cuisson, des fours et des hottes. Ne stockez pas de matériaux inflammables ou explosifs dans des meubles ou des endroits adjacents.

AVERTISSEMENT

IMPORTANT : Cet appareil est équipé d'une fiche électrique de mise à la terre à 3 broches pour protéger contre les risques de chocs électriques. Elle doit être branchée dans une prise électrique de mise à la terre dédiée. Si seule une prise électrique à 2 broches est disponible, il incombe au client de la remplacer par une prise électrique de mise à la terre à 3 broches dédiée et adaptée.

- N'entortillez pas et ne pincez pas le cordon d'alimentation de l'appareil.
- Ne débranchez jamais l'appareil en tirant sur le cordon d'alimentation.
- Maintenez toujours fermement la fiche pour la débrancher de la prise électrique.
- Débranchez l'appareil lorsque vous ne l'utilisez pas.
- N'installez pas, ne réparez pas, ne modifiez pas et ne remplacez pas toute pièce de l'appareil, sauf mention contraire indiquée dans les documents d'accompagnement.
- Toutes les autres opérations d'entretien doivent être effectuées par un technicien de service qualifié.



NE coupez pas ou ne retirez pas la troisième broche (de mise à la terre) du cordon d'alimentation.

N'utilisez pas de fiche d'adaptation.

N'utilisez pas un cordon d'alimentation effiloché ou endommagé.

NE branchez pas l'appareil à une rallonge.

Maintenez le cordon d'alimentation éloigné des surfaces chauffées.

REMARQUE

- Utilisation d'une prise électrique de mise à la terre.
- L'utilisation d'un disjoncteur différentiel de fuite à la terre (DDFT) n'est pas recommandée.

CONSERVEZ CES INSTRUCTIONS

AVERTISSEMENT

- Pour réduire le risque d'incendie, de choc électrique, de blessures graves ou de mort lors de l'utilisation de votre appareil, suivez les consignes de sécurité de base, ainsi que les suivantes :
- Si vous recevez un appareil endommagé, contactez immédiatement votre revendeur ou constructeur. N'installez pas ou n'utilisez pas un appareil endommagé.
- Assurez-vous que cet appareil a été correctement installé conformément aux instructions d'installation.
- Assurez-vous d'installer les prises en fonction de l'alimentation électrique.
- L'équipement de réfrigération et les réfrigérants doivent être mis au rebut de façon appropriée par un professionnel et conformément aux lois et réglementations locales visant à protéger l'environnement. Cela s'applique à votre appareil usé et à votre nouvelle unité une fois que celle-ci aura atteint la fin de sa durée de vie. NE mettez pas l'appareil au rebut dans une décharge ou avec les déchets urbains. Contactez les déchetteries locales pour vous renseigner sur la mise au rebut des déchets recyclables.
- Lorsque vous manipulez, déplacez, utilisez ou mettez au rebut l'appareil, veillez à ne pas endommager le système de réfrigération.
- N'installez pas ou n'utilisez pas l'appareil en extérieur ou dans un endroit humide. Cet appareil n'est pas destiné à être installé dans un véhicule ou bateau de plaisance.
- Mettez les emballages hors de portée des enfants. Ils pourraient s'étouffer avec les sacs et les sachets en plastique.
- Branchez cet appareil à un circuit 115 V, 15 A contrôlé par un disjoncteur ou un fusible. Cet appareil doit disposer de son propre circuit de mise à la terre séparé.
- N'entortillez pas et ne pincez pas le cordon d'alimentation de l'appareil. Ne débranchez jamais l'appareil en tirant sur le cordon d'alimentation. Maintenez toujours fermement la fiche pour la débrancher de la prise électrique.
- Débranchez l'appareil lorsque vous ne l'utilisez pas.
- N'installez pas, ne réparez pas, ne modifiez pas et ne remplacez pas toute pièce de l'appareil, sauf mention contraire indiquée dans les documents d'accompagnement. Toutes les autres opérations d'entretien doivent être effectuées par un technicien de service qualifié.
- Avant d'effectuer toute opération d'entretien, coupez l'alimentation sur le tableau du disjoncteur.
- Cet appareil n'est pas conçu pour être utilisé par des personnes (y compris des enfants) ayant des capacités physiques ou sensorielles réduites, ou ayant un manque d'expérience et de connaissances, à moins qu'elles ne soient surveillées par une personne responsable de leur sécurité. Les enfants doivent être surveillés par mesure de sécurité.
- Ne permettez à personne, y compris à des enfants, de s'asseoir ou de grimper sur toute pièce de l'appareil, y compris la porte. Le non-respect de cette consigne peut entraîner des dommages et des blessures importants, voire la mort.

CONSERVEZ CES INSTRUCTIONS

Consignes importantes relatives à la sécurité

- Si le cordon d'alimentation est endommagé, il doit être remplacé par le fabricant ou un technicien de service qualifié par mesure de sécurité. Ne trafiquez pas les commandes.
- Nettoyer régulièrement cet appareil conformément aux instructions de la section Entretien et nettoyage du manuel d'utilisation. Nettoyez régulièrement le bac à glaçons ou le tiroir.
- Lorsque le congélateur est en marche, ne touchez pas les surfaces internes en inox si vous avez les mains mouillées ou humides car votre peau pourrait rester coller aux surfaces très froides.
- N'utilisez aucun type d'équipement électrique à l'intérieur des compartiments de la cave à vin.
- N'obstruez pas les orifices de ventilation de l'appareil.
- Afin d'éviter que l'appareil ne bascule, il est impératif de fixer l'appareil au mur avec les deux supports antibasculement fournies.
- N'utilisez cet appareil que conformément à l'usage auquel il est destiné : conserver des aliments et des boissons. Il n'est pas destiné à un usage commercial ou industriel.
- Lorsque vous installez le boîtier des composants électriques, vérifiez si celui-ci est endommagé ou non par un choc électrique.
- Tenez la poignée lorsque vous ouvrez et fermez la porte.
- Lorsque vous ouvrez et fermez la porte, veillez à ne pas mettre vos mains dans le seuil.

CONSERVEZ CES INSTRUCTIONS

Consignes de sécurité et avertissements

Sécurité lors de l'installation

AVERTISSEMENT

- Avant d'installer la cave à vin, raccordez-la à une prise de courant et allumez la cave à vin pour vous assurer qu'elle fonctionne.
- Choisissez un emplacement éloigné de tout(e) radiateur, chaudière ou lumière directe du soleil.
- Installez l'appareil à un endroit où l'air circule librement et où la cave à vin peut bien ventiler.
- Installez l'appareil de sorte que l'air circule sans obstruction au niveau de la grille d'aération avant. Si la circulation de l'air ne peut pas se faire, cela peut interférer avec le bon fonctionnement de l'appareil.
- Les animaux venant de l'extérieur (rongeurs) peuvent ronger le cordon d'alimentation et provoquer un incendie. Par conséquent, installez l'appareil à un endroit non accessible aux animaux.
- Si le meuble est composé d'un matériau souple (ex : plâtre, etc.), sa structure peut être fragile et risque d'être endommagée. Par conséquent, utilisez un meuble composé d'un matériau fort et solide.
- Installez la cave à vin avec une équipe d'au moins 2 personnes.
- Reportez-vous aux dimensions du meuble et préparez ce dernier pour assurer une circulation appropriée de l'air.
- Utilisez un meuble qui ne va pas se déformer à cause de la chaleur ou de l'humidité émise par l'appareil lors de l'ouverture et la fermeture de la cave à vin.

REMARQUE

Cette cave à vin est un modèle de type « encastré », ce qui signifie que la cave à vin impose une installation à l'intérieur d'un renforcement dans un meuble de cuisine existant.

Avant de déplacer la cave à vin, dégagez le chemin vers l'emplacement d'installation.

Comparez toutes les dimensions de l'appareil et le rayon de basculement avec celles des portes, des couloirs, des escaliers, des recoins, etc. afin de vous assurer que vous avez un chemin clairement défini.

AVERTISSEMENT



Risque de basculement

Cet appareil est relativement lourd au niveau de la partie supérieure et peut basculer s'il n'est pas installé de façon sécurisée.

Maintenez les portes fermées avec du ruban adhésif jusqu'à ce que la cave à vin se trouve dans sa position finale et qu'elle est prête à être fixée en place.

Faites appel à deux personnes ou plus pour déplacer et installer la cave à vin.

Le non-respect de ces consignes peut provoquer des blessures graves voire mortelles.

Consignes de sécurité et avertissements

 **DANGER**



Risque d'explosion

Tenez les matériaux et vapeurs inflammables (essence par exemple) à distance de la cave à vin.

Le non-respect de ces consignes peut provoquer la mort, une explosion ou un incendie.

Spécifications relatives à l'installation

AVERTISSEMENT

Respectez tous les codes gouvernementaux et décrets lors de la programmation et de l'installation. Contactez votre service des bâtiments local pour en savoir plus.

AVERTISSEMENT

Les branchements électriques et de mise à la terre doivent respecter les dispositions applicables du code électrique national et/ou des autres codes électriques locaux.

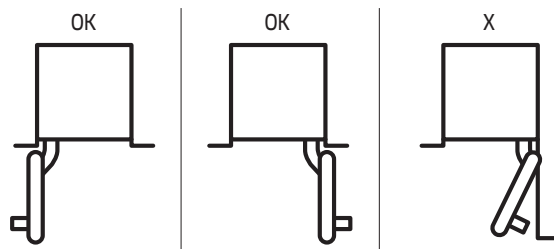
Cet appareil est doté d'un cordon électrique avec une fiche de mise à la terre à trois broches pour une alimentation de 115 V CA, 15 A. Branchez-le dans une prise électrique de mise à la terre à trois broches de 115 V CA uniquement.

L'appareil est doté d'un système d'éclairage avec des DEL haute intensité. Ne fixez pas ces voyants lorsqu'ils sont allumés afin d'éviter tout dommage oculaire possible.

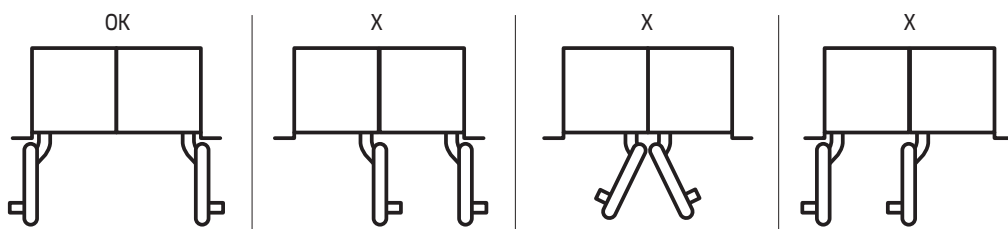
Options d'installation

Il existe de nombreuses options d'installation.
Elles dépendent de la conception de votre cuisine.

Appareil individuel



Côte à côte (paire)



Appareils individuels avec séparation

REMARQUE

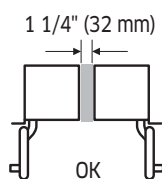
- L'épaisseur minimale de la séparation est de 1 1/4" (32 mm)
- À 1 1/4" (32 mm), les battants de la porte doivent s'ouvrir comme dans le cas 1.
- À plus de 1 9/16" (40 mm), le battant de la porte peut s'ouvrir dans la même direction et l'angle d'ouverture de la porte est de 90 degrés, comme dans le cas 2.

À plus de 7 7/8" (200 mm), le battant de la porte peut s'ouvrir et l'angle d'ouverture de la porte est de 90 degrés, comme dans le cas 3.

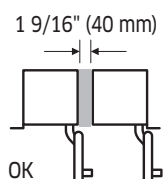
Pour cette option d'installation, il est recommandé d'installer la butée de porte à 90 degrés, pour minimiser l'épaisseur de la séparation.

Pour un angle d'ouverture de porte à 115 degrés, la distance de « F » (page 16) est recommandée pour une épaisseur de séparation.

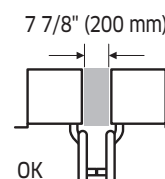
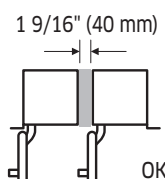
- L'épaisseur de séparation est fonction de la profondeur de la poignée. Les dimensions ci-dessus sont admissibles pour les poignées Dacor.



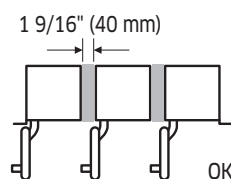
Cas 1



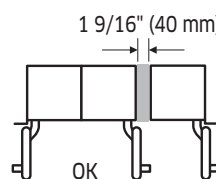
Cas 2



Cas 3

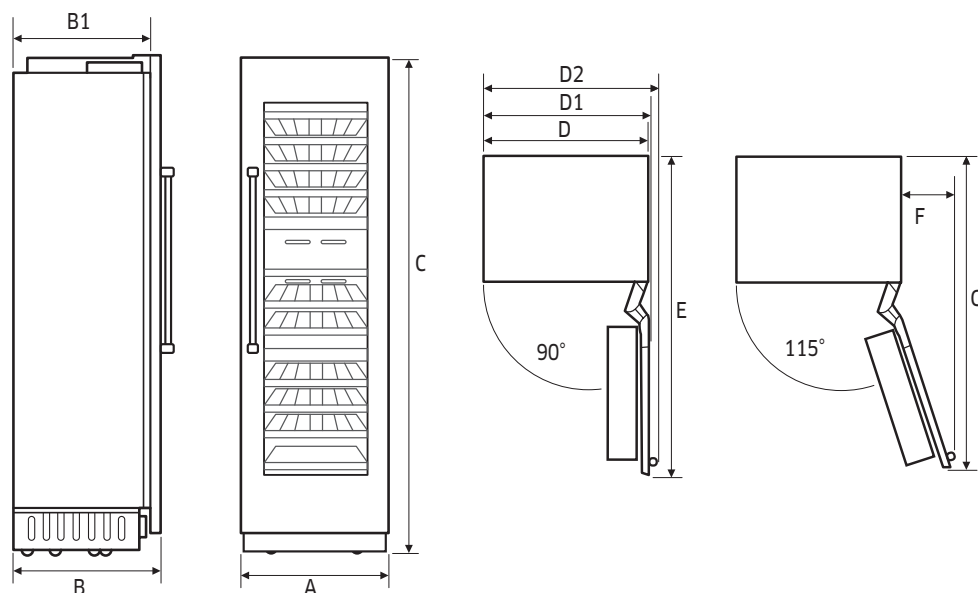


Il est recommandé que tous les battants de porte soient du même côté.



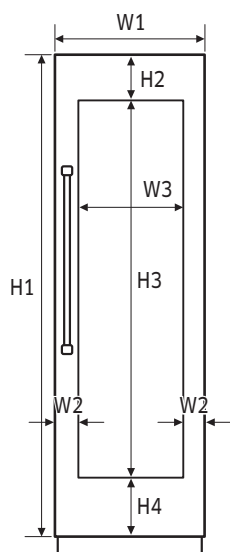
Le battant de porte de la colonne individuelle doit s'ouvrir de la même façon que le battant de porte de l'installation côte à côte.

Caractéristiques techniques de l'appareil



Désignation	24"
A	23 3/4" (603 mm)
B (Avec panneau)	25" (635 mm)
B1 (Sans panneau)	23 13/16" (605 mm)
C	83 3/8" (2118 mm)
D	23 5/8" (600 mm)
D1	24 7/8" (631 mm)
D2	27 9/16" (701 mm)
E	50 3/4" (1289 mm)
F	13 11/16" (348 mm)
G	49 11/16" (1261 mm)

Caractéristiques techniques du panneau personnalisé



Désignation	24"
W1	23 3/4" (603 mm)
W2	3 9/32" (83,5 mm)
W3	17 5/32" (436 mm)
H1	79 7/8" (2029 mm)
H2	7 23/32" (196 mm)
H3	62 25/32" (1594,5 mm)
H4	9 3/8" (238,5 mm)
Épaisseur du panneau	3/4" (19 mm)
Hauteur maximale	55,0 lb (25 kg)

Ne dépassez pas la charge maximale que peut supporter le panneau personnalisé. Avant d'installer le panneau, vérifiez la force du matériau du panneau et la charge des fixations du panneau.

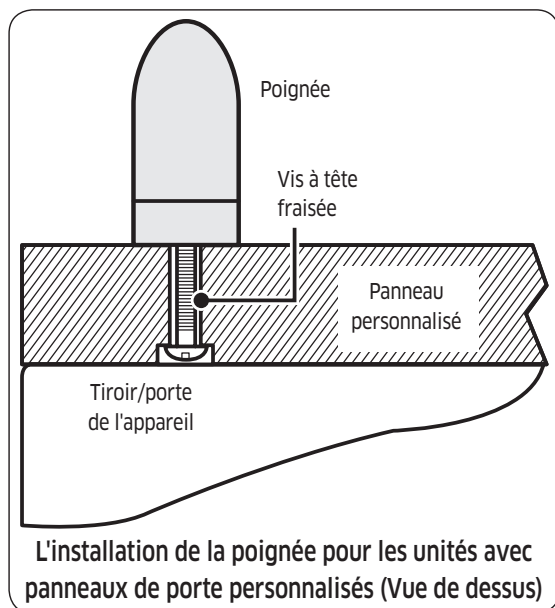
	24"
Poids maximal du panneau personnalisé	55,0 lb (25 kg)

REMARQUE

- L'épaisseur standard du panneau personnalisé est de 3/4" (19 mm).

Caractéristiques techniques de l'appareil

Caractéristiques techniques de la poignée



Avant d'installer les panneaux personnalisés, vous devez d'abord installer les poignées du tiroir/porte.

Avec les modèles dotés d'un panneau personnalisé, vous pouvez choisir le style de poignée qui vous convient le mieux. Les poignées ne sont pas fournies avec les modèles dotés d'un panneau personnalisé. Des kits de poignées sélectionnés sont disponibles auprès de votre revendeur Dacor. Dacor ne recommande pas l'utilisation de tirettes individuelles.

L'artisan du panneau doit choisir et acheter les bagues de fixation nécessaires à l'installation. Les têtes des vis doivent être fraisées dans le panneau afin de prévenir toute interférence au cours de l'ajustement de la profondeur.

ATTENTION

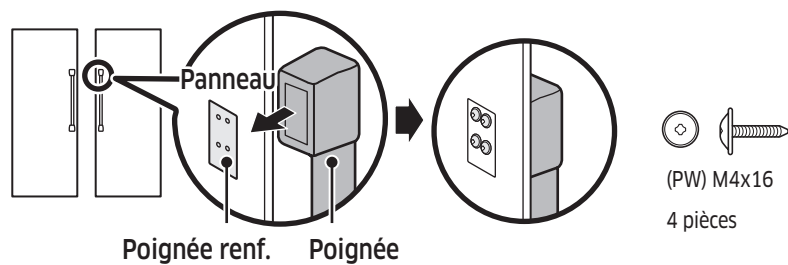
L'installation d'une poignée sur le panneau personnalisé est recommandée. Sans poignée, vous risquez de vous prendre les doigts dans la porte lors de l'ouverture et de la fermeture de la porte.

Fixation de la poignée Dacor

AVERTISSEMENT

Suivez les instructions ci-après pour fixer la poignée Dacor. Dans le cas contraire, la poignée risque d'être endommagée ou de dysfonctionner.

1. Placez le support renforcé de la poignée à l'arrière du panneau de la porte, puis mettez la poignée sur l'avant du panneau de la porte.
2. Comme indiqué, serrez les 4 vis sur chacun des côtés supérieur et inférieur de la poignée. Ne les serrez pas à l'excès.



Installation

AVERTISSEMENT

N'installez pas l'appareil :

- à l'extérieur,
- dans un environnement où de l'eau ruisselle.

L'appareil est très lourd :

Cave à vins 24" : environ 397 lb/180 kg

Emplacement de l'installation

L'appareil doit être installé dans une pièce sèche et aérée.

Installation sécurisée

L'appareil est très lourd et tend à basculer en avant lorsque la porte de l'appareil est ouverte.

N'ouvrez pas la porte avant d'être sûr que l'appareil ne peut pas basculer.

Le moyen le plus sûr d'installer l'appareil est d'utiliser les dispositifs antibasculement fournis.

Sol

La surface inférieure doit être mise à niveau et égalisée afin de s'assurer que l'appareil est installé de façon sécurisée et que l'appareil fonctionne correctement.

La surface inférieure doit être constituée de matériaux durs et rigides pour soutenir le poids de l'appareil.

Alignement de l'appareil

Pour s'assurer que l'appareil fonctionne correctement, il doit être mis à niveau de façon appropriée.

Porte vitrée

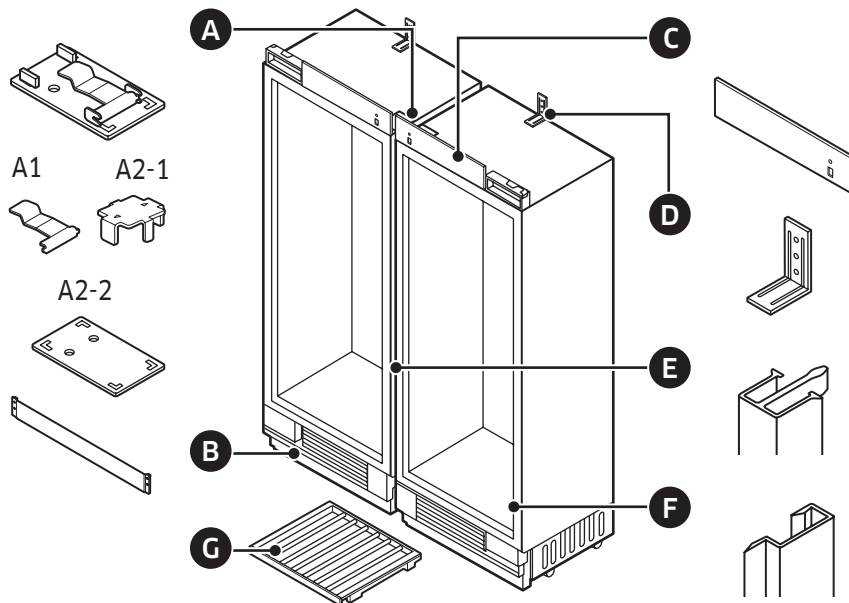
Lors du déplacement ou l'installation de l'appareil, veillez à ne pas endommager la porte vitrée.

Exigences relatives à l'installation

Préparation à l'installation

Pièces d'installation de l'armoire

En utilisant le tableau de la page suivante, vérifiez que toutes les pièces d'installation sont présentes au moment du déballage de l'appareil.



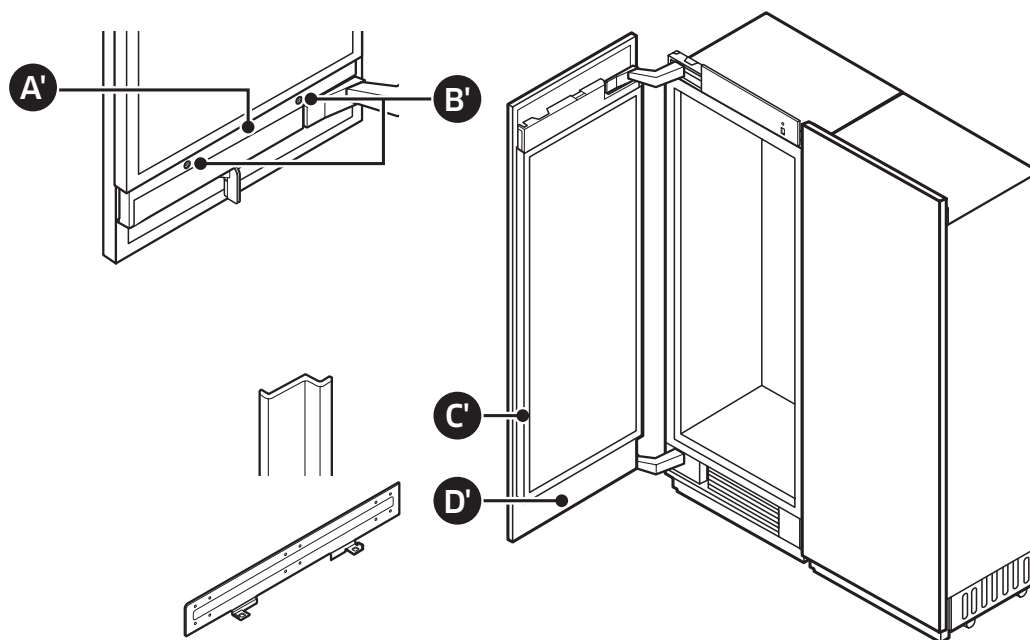
Vérifiez les pièces d'installation au moment du déballage de l'appareil.

PIÈCES		INSTALLATION INDIVIDUELLE	INSTALLATION D'UNE PAIRE	
A	A1	LEVIER	-	2
	A2-1	SUPPORT INFÉRIEUR	-	1
	A2-2	SUPPORT SUPÉRIEUR	-	1
B	PLINTHE	1	2	
C	Cache supérieur du réfrigérateur	1	2	
D	SUPPORT ANTIBASCULEMENT	18", 24", 30" : 1 36" : 2	18", 24", 30" : 2 36" : 4	
E	HABILLAGE CENTRAL	-	1	
F	HABILLAGE LATÉRAL DE L'ARMOIRE	2	2	
G	Casier à bouteilles de vin	10	20	

Exigences relatives à l'installation

Pièces d'installation de la porte












En utilisant le tableau ci-dessous, vérifiez que toutes les pièces d'installation sont présentes au moment du déballage de l'appareil.




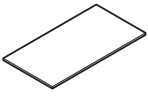
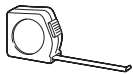


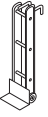
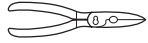
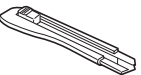




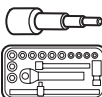

Vérifiez les pièces d'installation au moment du déballage de l'appareil.

PIÈCES		INSTALLATION INDIVIDUELLE	INSTALLATION D'UNE PAIRE
A'	CACHE INFÉRIEUR DE LA PORTE	1	2
B'	BOUCHON	2	4
C'	HABILLAGE LATÉRAL DE LA PORTE	2	4
D'	SUPPORT DU PANNEAU	2	4

Vis et écrou

		M6x12	12 pièces			(FH) M4x14	22 pièces
		(TH) M4x16	24 pièces			M4x35	3 pièces
		M13	2 pièces			ø6x30	3 pièces

Outils requis

N°	Outil	N°	Outil
1	 Tournevis électrique	8	 Tapis de sol de protection
2	 Mètre ruban	9	 Escabeau
3	 Tournevis à tête plate/ fendue	10	 Diable
4	 Couteau (Sécateur)	11	 Cutter
5	 Clé à molette	12	 Niveau
6	 Tournevis cruciforme	13	 Tournevis Torx
7	 Cliquet 3/8" (10 mm), 1/2" (13 mm)	14	 Clé mixte 3/8" (10 mm), 1/2" (13 mm)

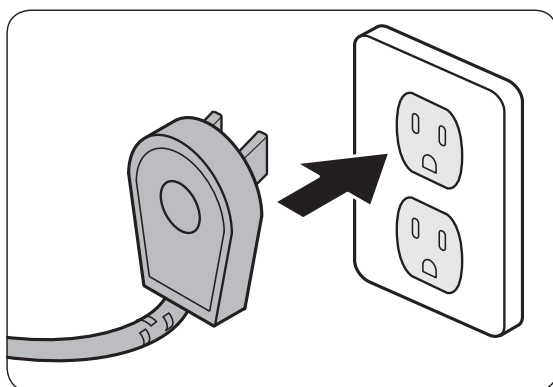
Exigences relatives à l'installation

Mise à la terre de la cave à vin

ATTENTION

Les branchements électriques et de mise à la terre doivent respecter les dispositions applicables du code électrique national et/ou des autres codes électriques locaux.

Cet appareil est doté d'un cordon électrique avec une fiche de mise à la terre à trois broches pour une alimentation de 115 V CA, 15 A. Branchez-le dans une prise électrique de mise à la terre à trois broches de 115 V CA uniquement.



NE COUPEZ ET NE RETIREZ JAMAIS LA TROISIÈME BROCHE (MISE À LA TERRE) DU CORDON D'ALIMENTATION.

N'UTILISEZ PAS UN ADAPTATEUR POUR BRANCHER LA CAVE À VIN À UNE PRISE 2 BROCHES.

N'UTILISEZ PAS DE RALLONGE AVEC CET APPAREIL.

AVERTISSEMENT



Risque de choc électrique

Branchez l'appareil sur une prise murale 3 broches dédiée reliée à la terre.

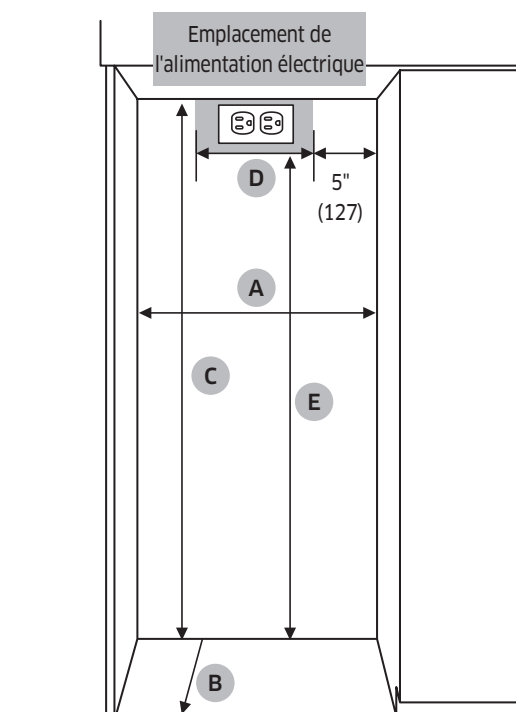
Ne retirez pas la broche de mise à la terre.

N'utilisez pas d'adaptateur.

N'utilisez pas de rallonge.

Le non-respect de ces instructions peut entraîner un incendie, un choc électrique voire la mort.

Exigences spécifiques au meuble



- A : Largeur de l'armoire
- B : Profondeur de l'armoire
- C : Hauteur de l'armoire
- D : Emplacement de la largeur de l'alimentation électrique
- E : Emplacement de la hauteur de l'alimentation électrique

Désignation	24"
A	24" (610 mm)
B	25" (635 mm)
C	84" (2134 mm)
D	14" (356 mm)
E	80" (2032 mm)

- B : inclut une épaisseur de panneau de porte standard avec 3/4".
- Une installation à l'intérieur d'un meuble de cette largeur permet à l'habillage de la cave à vin d'être directement fixé aux meubles autour de l'appareil.

Instructions d'installation

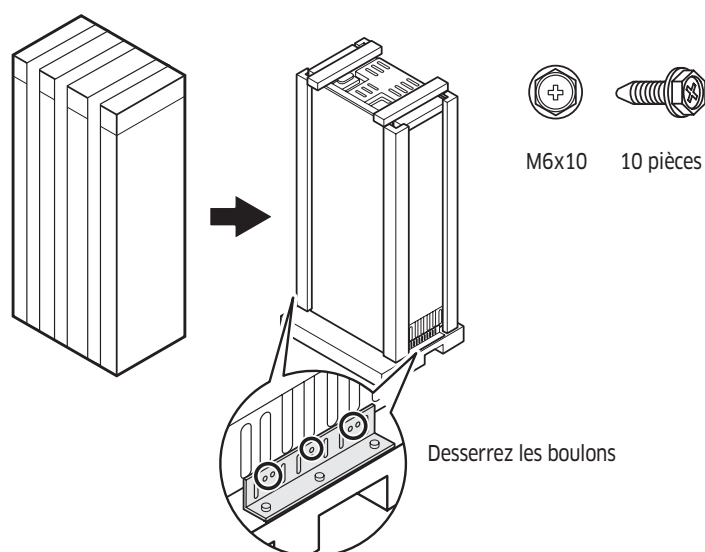
1. Déballage de la cave à vin

Vérifiez les éventuels dommages dus au transport de l'appareil.

N'installez pas l'appareil s'il est visiblement endommagé.

En cas de doutes, contactez votre revendeur.

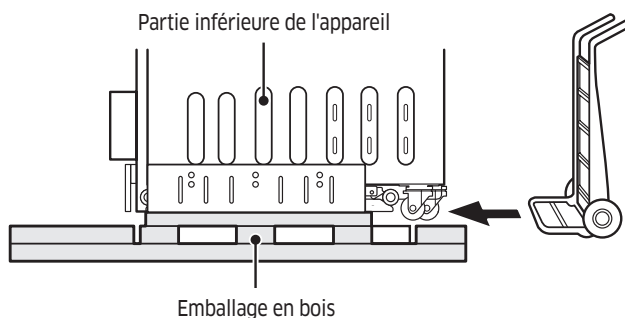
1. Retirez le cerclage en PP, le carton d'emballage, le bloc d'alimentation externe et le film en PE.
2. Retirez les fixations de la palette en dévissant les boulons (cinq par attache).



ATTENTION

Veillez à ne pas endommager l'appareil lorsque vous le déchargez de la palette.

3. Insérez le diable entre l'appareil et l'emballage en bois comme indiqué. Tout en inclinant la partie arrière de l'appareil vers le haut, déchargez-le de l'emballage en bois.



2. Déplacement de la cave à vin

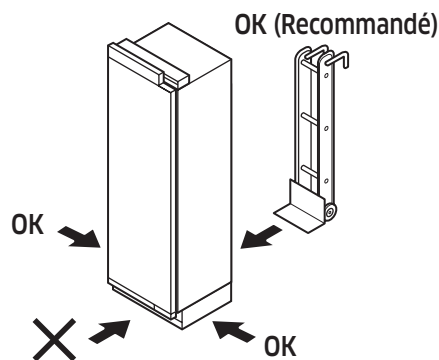
AVERTISSEMENT

L'appareil est très lourd. Lorsque vous déplacez le réfrigérateur, veillez à ne pas vous blesser ou à endommager l'appareil.

1. Utilisez un mode de transport sécurisé et adapté (un diable adapté aux appareils de préférence) et déplacez le réfrigérateur près de l'armoire d'installation.
 2. Le déplacement et l'installation de l'appareil doivent être effectués par au moins deux personnes.
 3. Veillez à ne pas endommager les sols. Les sols fragiles doivent être protégés avec du contreplaqué, des cartons épais ou d'autres matériaux similaires.
 4. Avant de déplacer le réfrigérateur, vérifiez qu'il passera bien à travers les encadrements des portes, dans les escaliers et tout obstacle.
- **RISQUE DE BASCULEMENT** : Le réfrigérateur étant grand et lourd, il peut facilement basculer s'il n'est pas bien fixé. Dans la mesure du possible, déplacez toujours le réfrigérateur en position verticale. Sinon, déplacez-le sur sa partie arrière. Protégez les encadrements des portes pour le transport.

AVERTISSEMENT

Veillez à ce que le boîtier des composants électriques ne soit pas endommagé lors de l'installation.



Instructions d'installation

3. Préparation à l'installation

Déballer les matériaux et accessoires d'installation.

Voir la section Préparation à l'installation dans le chapitre Conditions relatives à l'installation.

4. Fixation du support antibasculement

⚠ AVERTISSEMENT

Pour éviter que l'appareil ne bascule en avant, un support antibasculement doit être installé. Avant de fixer le support, assurez-vous qu'aucun câblage ou canalisation ne se trouve dans la zone de pénétration des vis. Un support est requis par appareil.

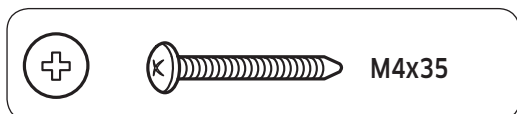
⚠ ATTENTION

Portez toujours des lunettes de sécurité et d'autres appareils ou vêtements de protection nécessaires lorsque vous installez ou travaillez avec des fixations.

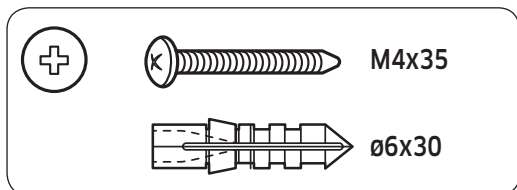
Dacor ne recommande pas de fixer le support antibasculement sur des maçonneries légères (p. ex. des blocs ou briques) ou sur du béton frais ou non traité.

Assurez-vous que le mur ou l'armoire sur lequel/laquelle les supports sont cloutés est suffisamment robuste pour supporter la charge de sécurité.

Mur en bois



Mur en béton



1. La hauteur du support est mesurée à partir du sol et dépend de la hauteur de l'armoire.

📄 REMARQUE

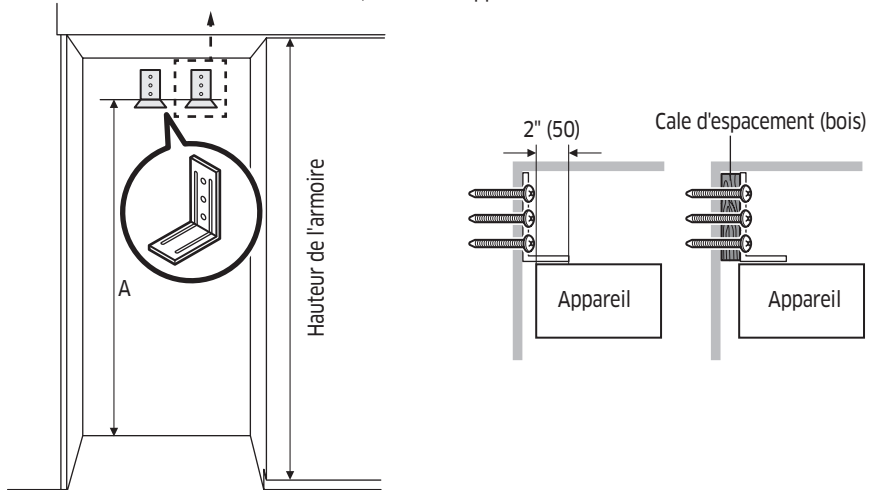
Hauteur du support

= Hauteur du meuble - 4 3/32" (104 mm)






2. Fixez les supports antibasculement. Assurez-vous que les vis serrent fermement le support.

Les supports antibasculement doivent s'allonger au moins de 2" (50 mm) sur l'appareil pour le sécuriser. Si cette longueur minimale ne peut pas être respectée pour des raisons liées à la structure, l'alternative consiste à fixer une cale d'espacement (en bois) derrière l'angle antibasculement.

Pour les modèles de 36", utilisez 2 supports antibasculement.



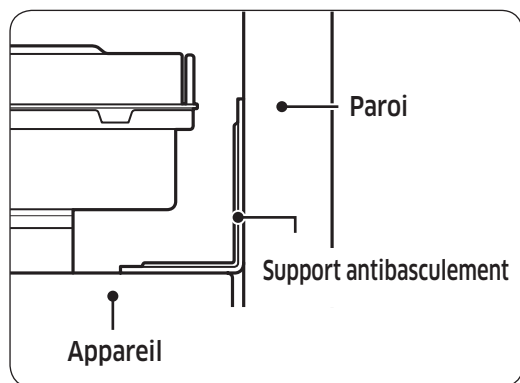
Option	Hauteur de l'armoire	A
1	83 1/2" (2121 mm)	79 13/32" (2017 mm)
2	83 3/4" (2127 mm)	79 5/8" (2023 mm)
3	84" (2134 mm)	79 7/8" (2030 mm)
4	84 1/4" (2140 mm)	80 1/8" (2036 mm)

		24"
SUPPORT ANTIBASCULEMENT		1 pièce
mur en bois	  M4x35	3 pièces
mur en béton	  M4x35	3 pièces
	 ø6x30 (VERROU DE SOUTIEN)	3 pièces

- 3 vis/verrous de soutien par support.

Instructions d'installation

Éléments relatifs au support antibasculement

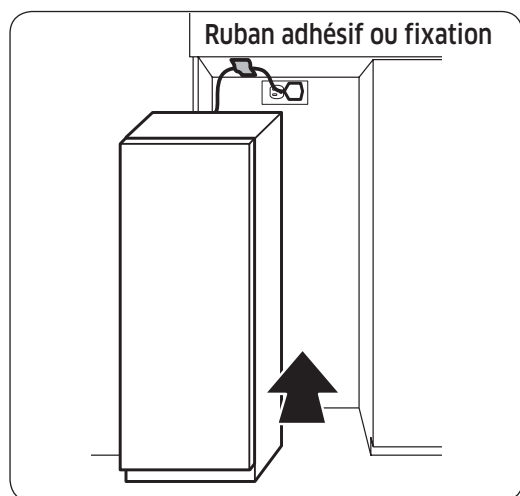


1. Positionnement du support : suivez le tableau de hauteur spécifique au meuble.
2. Vis : serrez les 3 vis sur les supports.
3. Poussez l'appareil vers le haut contre la paroi arrière du meuble.
4. Cale d'espacement : si vous utiliser la cale d'espacement, vous devez suivre les spécifications de positionnement du support (voir le tableau ci-dessus).

⚠ ATTENTION

- La hauteur de la cale d'espacement doit être calculée en fonction de la profondeur du meuble.
- La cale d'espacement doit être fixée séparément du meuble.

Lors de l'installation de l'appareil dans le meuble

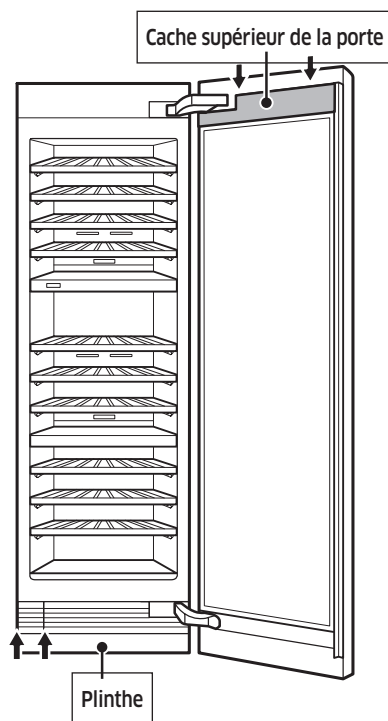


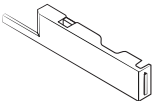


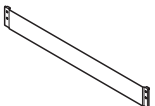


Avant de placer l'appareil dans le meuble, branchez le cordon d'alimentation. Attachez ensuite le cordon d'alimentation près de la partie avant de l'ouverture du meuble en utilisant un ruban adhésif ou une fixation telle qu'une attache, une bride etc.

Après avoir placé l'appareil à l'intérieur du meuble, assurez-vous que le cordon d'alimentation est placé en haut de l'appareil (comme indiqué sur l'illustration).

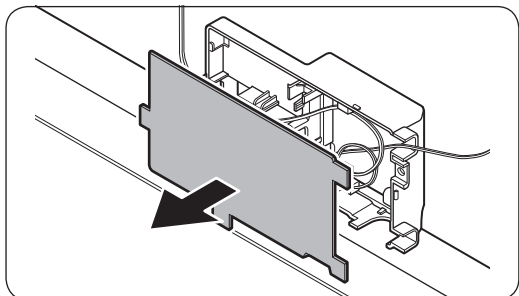
5. Retrait du cache supérieur de la porte, plinthe

Vous devez retirer l'obturateur supérieur de la porte et la plinthe avant d'ajuster le panneau personnalisé de la porte.

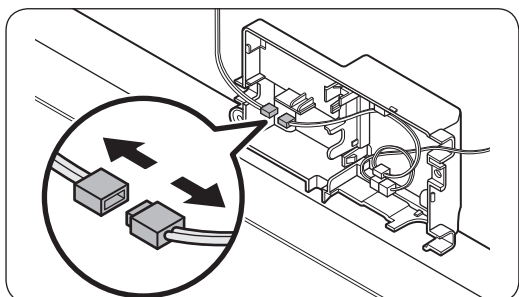


Cache supérieur de la porte		 	M5x16	2 pièces
Plinthe		 	M4x8	2 pièces

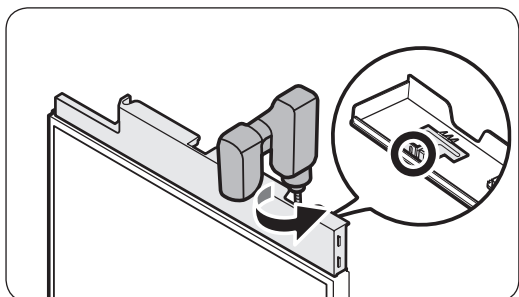
Instructions d'installation



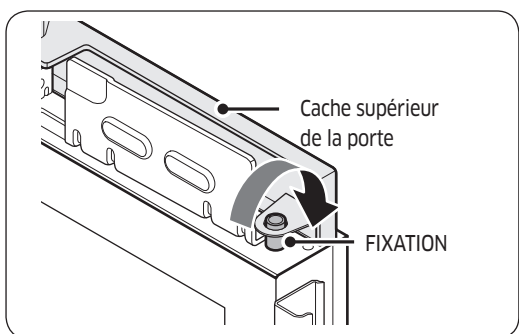
1. Retirez le cache intérieur sur la partie intérieure du cache supérieur de la porte.



2. Débranchez le connecteur du capteur d'humidité.

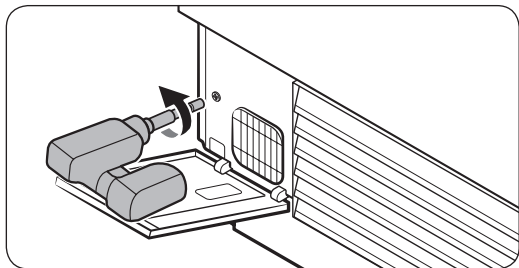


3. Retirez les 2 vis qui fixent le cache supérieur de la porte.

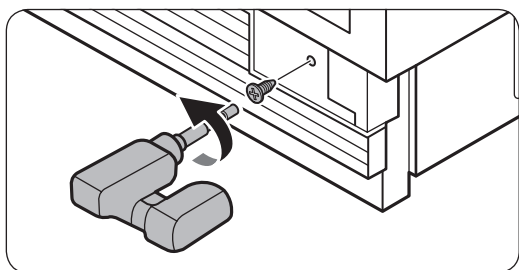


4. Retirez le cache supérieur de la porte au niveau des dispositifs de fixation.

- Plinthe : pour une installation côte à côté, retirez le cache du gril.
Ne s'applique pas à l'installation standard.

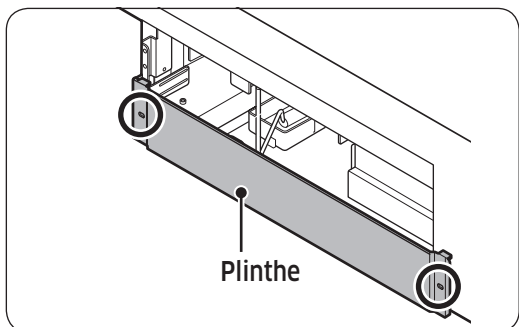


1. Appuyez sur le cache pour l'ouvrir. Retirez les vis sur le côté et retirez le cache du gril.



AVERTISSEMENT

N'utilisez pas de perceuse à percussion. Elle risque de provoquer des dommages.



2. Retirez les vis des deux côtés et retirez la plinthe.

Instructions d'installation

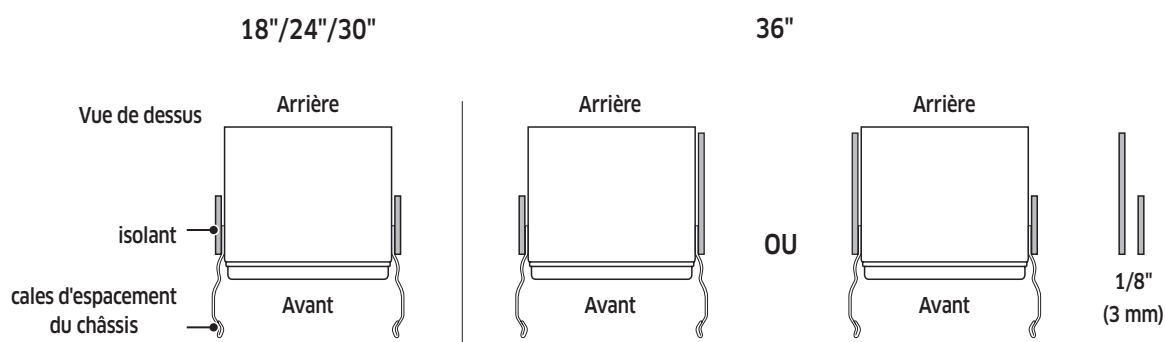
6. Fixation des isolants sur le côté de la cave à vin - Installation d'un seul appareil

Fixez 2 isolants sur l'un des côtés du congélateur ou du réfrigérateur. Assurez-vous que les modèles de 36" ont deux isolants de taille différente.

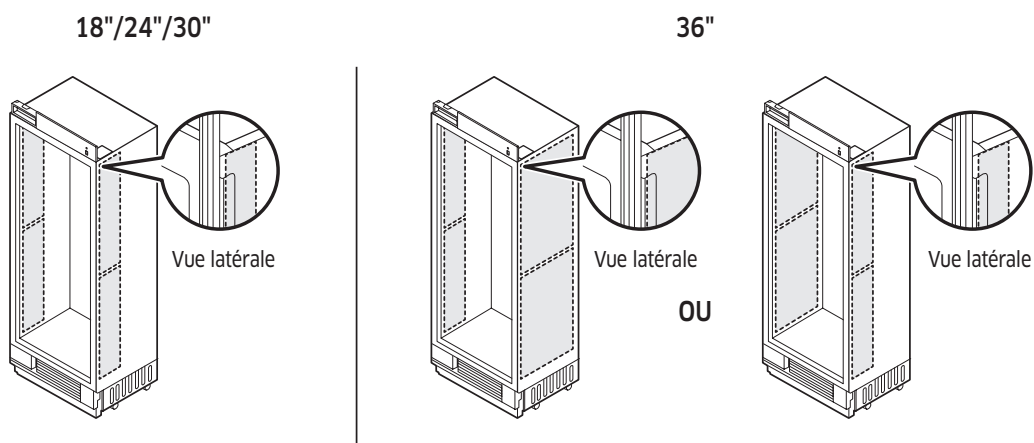
Vérifiez d'abord votre modèle, puis fixez les isolants en vous reportant aux illustrations ci-dessous.

Fixez les isolants de façon à recouvrir les vis sur les cales d'espacement du châssis.

Alignez les isolants avec l'extrémité de la cale d'espacement du châssis central.



Reportez-vous aux illustrations ci-dessous pour voir la disposition une fois l'isolant fixé.



7. Fixation des isolants sur le côté du congélateur, du réfrigérateur ou de la cave à vin - Installation côte à côte (duo d'appareils)

Fixez 2 isolants sur l'un des côtés du congélateur ou du réfrigérateur. Les isolants ont une taille différente selon le type. Vérifiez d'abord votre modèle, puis fixez les isolants en vous reportant aux illustrations ci-dessous. Assurez-vous qu'un isolant plus grand est fixé sur le point de contact.

Fixez les isolants de façon à recouvrir les vis sur les cales d'espacement du châssis.

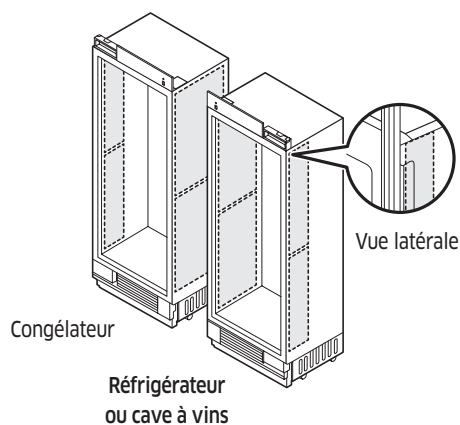
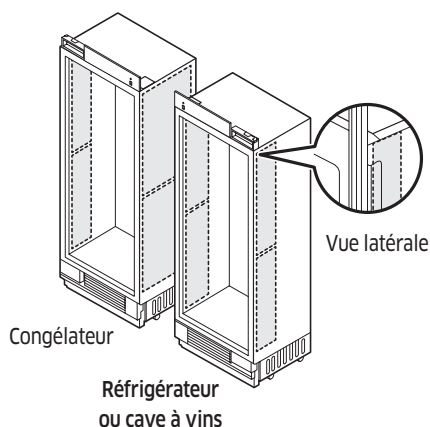
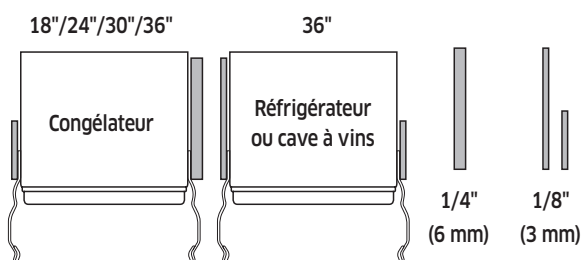
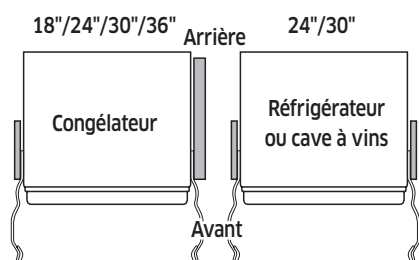
Alignez les isolants avec l'extrémité de la cale d'espacement du châssis central. Une fois le regroupement des deux appareils fait, il se peut que les isolants soient visibles.

Positionnement des appareils

1. Lorsqu'un congélateur est sur la gauche

Reportez-vous aux illustrations ci-dessous pour voir la disposition une fois l'isolant fixé.

Vue de dessus

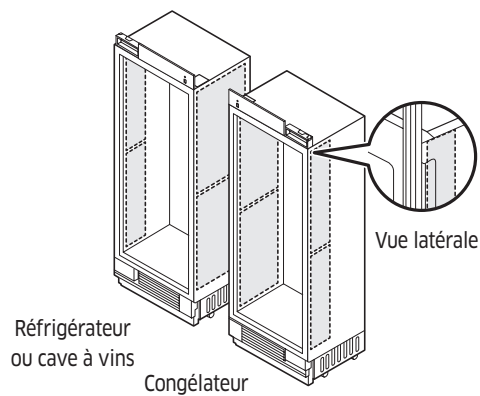
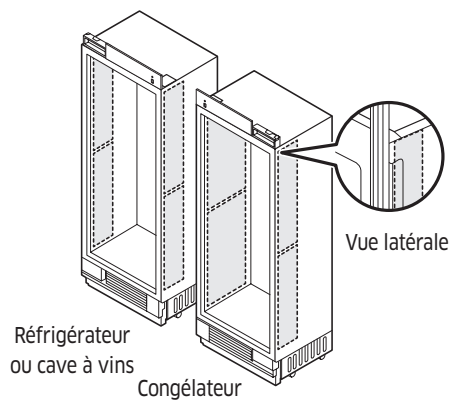
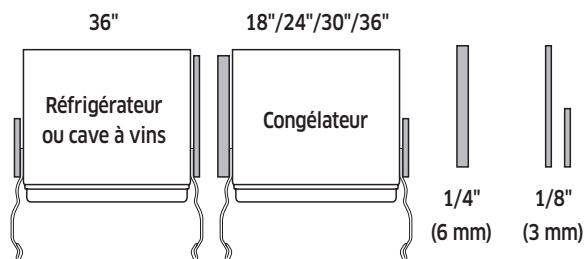
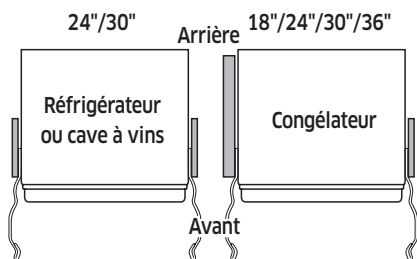


Instructions d'installation

2. Lorsqu'un congélateur est sur la droite

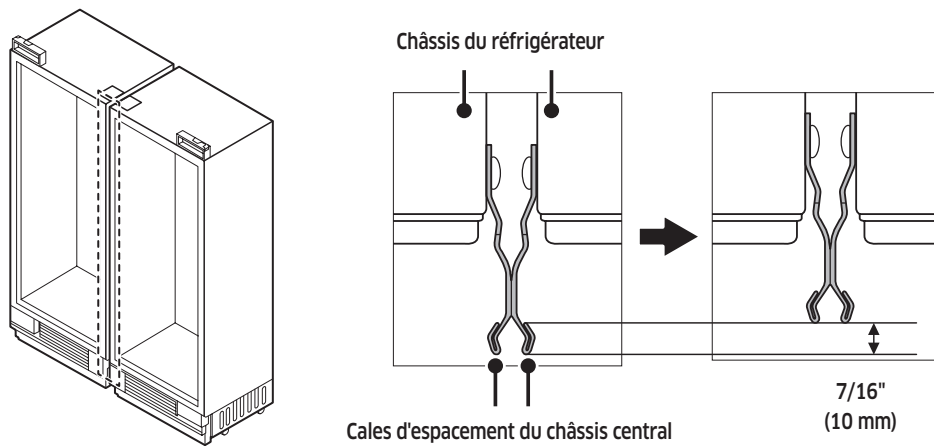
Reportez-vous aux illustrations ci-dessous pour voir la disposition une fois l'isolant fixé.

Vue de dessus



Repositionnement des cales d'espacement du châssis central

1. Retirez la cale d'espacement du châssis central de l'ensemble.
2. Réinstallez les cales d'espacement 7/16 pouces (10 mm) dans leur position initiale (voir le schéma ci-dessous).



Instructions d'installation

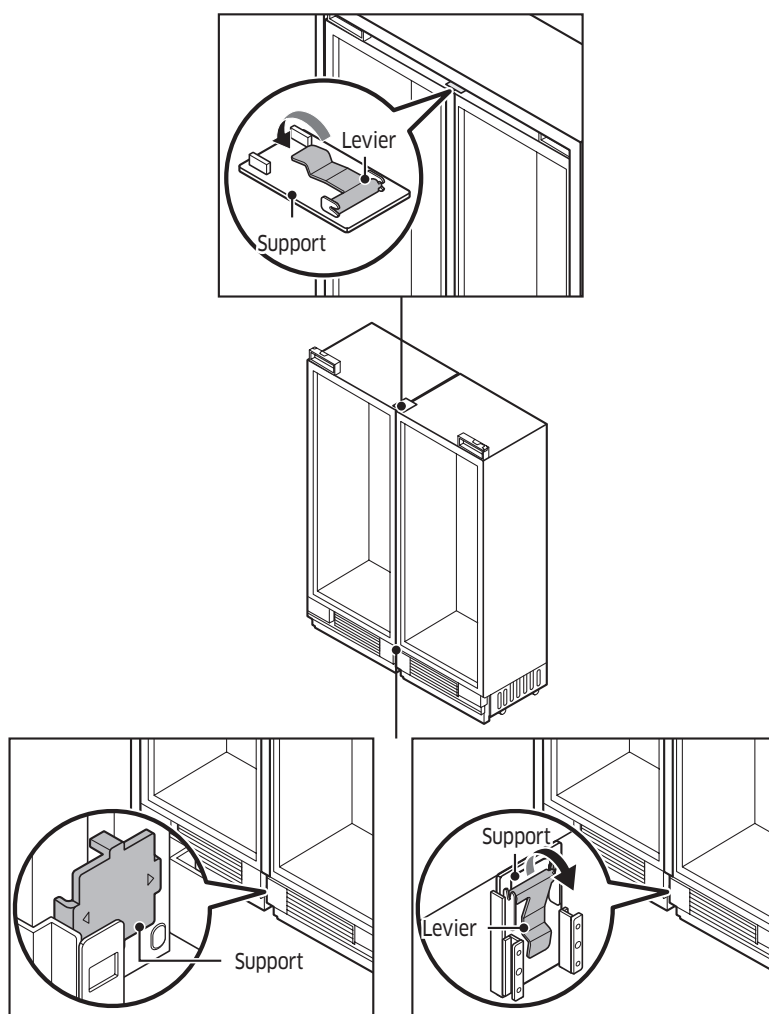
8. Relier les deux châssis

1. Établir la liaison supérieure.

- Fixez le support rectangulaire sur les languettes qui dépassent au-dessus de chaque châssis (voir le schéma).
- Fixez le levier pour relier les deux châssis.

2. Établir la liaison inférieure.

- Insérez le support dans la rainure en bas des deux châssis.
- Fixez le levier pour relier les deux châssis.



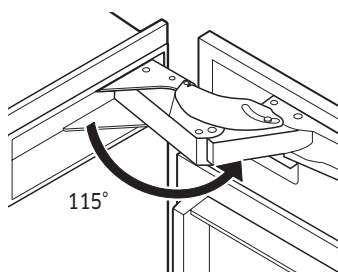
9. Ajustement de l'angle d'ouverture de la porte

Suite à un réglage en usine par défaut, la porte s'ouvre de 115 degrés. Vous pouvez utiliser la goupille d'arrêt pour réduire l'angle d'ouverture à 90 degrés, en fonction des conditions d'installation.

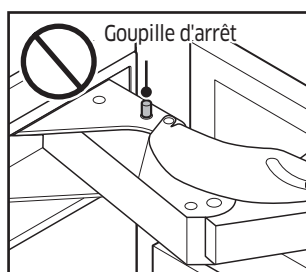
- Ouvrez la porte à moins de 90 degrés, puis insérez la goupille d'arrêt jusqu'au bout à travers les trous supérieur et inférieur de la charnière supérieure, comme indiqué sur les illustrations (1) et (2).
- Fermez la porte et vérifiez que la goupille d'arrêt n'interfère pas avec le cache de la charnière.

⚠ ATTENTION

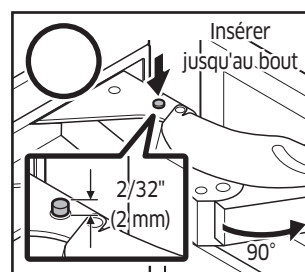
- Insérez la goupille d'arrêt avant de placer le réfrigérateur dans le meuble.
- Si la goupille d'arrêt n'est pas insérée jusqu'au bout, la charnière et son cache risquent d'être endommagés.



Réglage en usine par défaut : 115°



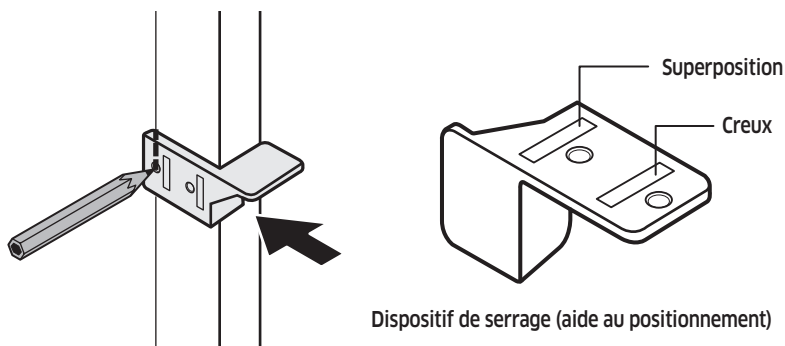
Avec goupille d'arrêt : 90°



Instructions d'installation

10. Placement de la cave à vin dans son caisson

- Selon le type d'armoire, un dispositif de serrage (aide au positionnement) peut être utilisé pour aligner le panneau personnalisé de la porte du réfrigérateur avec l'armoire en traçant une ligne verticale sur l'armoire.

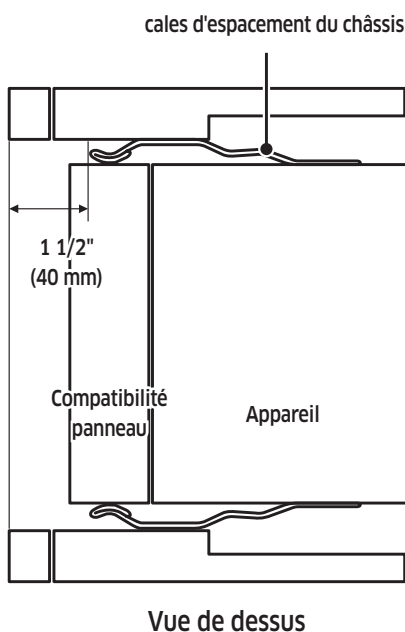


ATTENTION

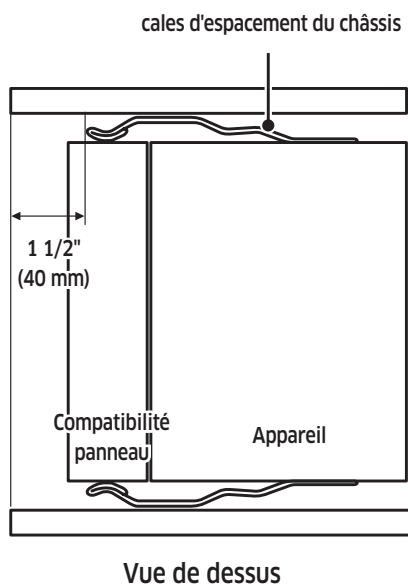
Assurez-vous de positionner la partie avant de la cale d'espacement du châssis dans l'alignement de la ligne verticale. En cas de non-respect de ces consignes, le réfrigérateur installé sera incliné et sa porte risque de mal se fermer.

De plus, le système d'ouverture automatique de la porte peut ne pas fonctionner normalement.

Type de superposition



Type sans cadre



ATTENTION

Veillez à ne pas endommager le cordon d'alimentation lorsque vous placez la cave à vin dans son caisson.

Le tuyau d'eau doit être fixé au sol avant d'être tiré vers l'avant. Placez également le cordon d'alimentation derrière l'appareil pour ne pas trébucher ou marcher dessus.

AVERTISSEMENT

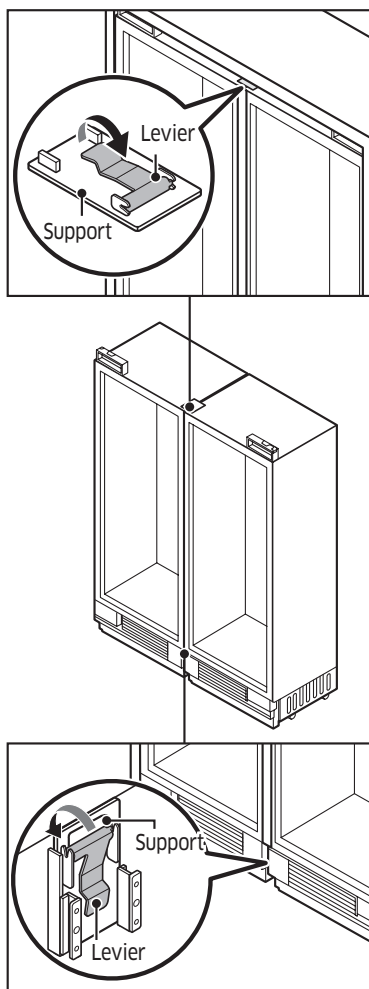
Veillez à ne pas blesser les autres personnes et à ne pas endommager le réfrigérateur lorsque vous déplacez la cave à vin.

1. Avant de déplacer la cave à vin, branchez le cordon d'alimentation.
2. Placez le carton d'emballage ou le contreplaqué le long du trajet pour protéger les sols lors du déplacement de l'appareil.
3. Placez délicatement la cave à vin dans son caisson.
4. Alignez le bord avant de la cale d'espacement du châssis avec la ligne verticale préalablement tracée sur l'armoire.

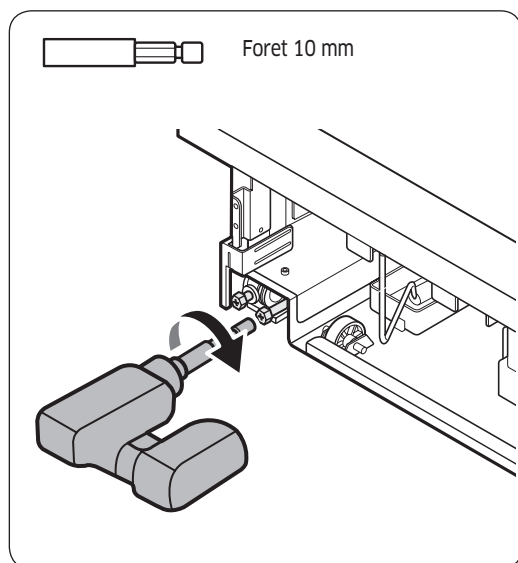
Instructions d'installation

11. Retrait des deux molettes

- Pour faciliter la mise à niveau de la cave à vin, retirez les molettes supérieures et inférieures pour dissocier le châssis.
- Pour démonter la molette inférieure, utilisez un tournevis en forçant.



12. Mise à niveau de la cave à vin



1. En utilisant votre perceuse et le foret indiqué ci-dessous, engagez chacun des arbres d'ajustement du réfrigérateur en rotation et mettez à niveau le réfrigérateur. (SH ▲, SAH ▼)
2. Ajustez l'écart entre le meuble et le cache supérieur du réfrigérateur à 1/8 pouce (3 mm).

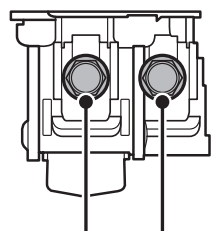
⚠ AVERTISSEMENT

N'utilisez pas de perceuse à percussion. Elle risque de provoquer des dommages.

⚠ ATTENTION

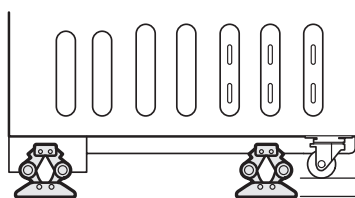
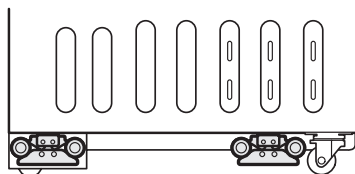
- Les pieds de mise à niveau avant et arrière ont un ajustement de hauteur maximal de 3/4" (20 mm).
- Pour surélever davantage le réfrigérateur, placez-le sur une planche de contreplaqué ou sur des patins.
- Lever le réfrigérateur de plus de 3/4" (20 mm) endommagera les composants de mise à niveau avant et arrière.
- Une fois le regroupement des deux appareils fait, assurez-vous de les mettre tous deux de niveau simultanément. Ne les mettez pas de niveau l'un après l'autre. En cas de non-respect de ces consignes, le vérin risque de ne pas fonctionner correctement.

Instructions d'installation



Avant Arrière

Arbre ajustable
(10 mm)

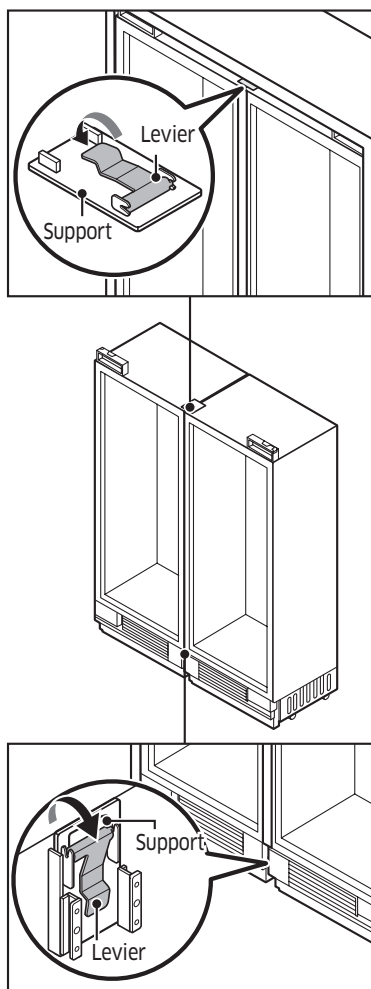


Type de vérin (ajustement de la hauteur)

Maximum
3/4", 20 mm

13. Fixation des deux molettes

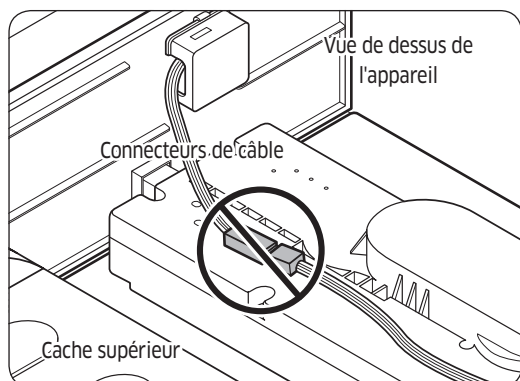
- Fixez les molettes supérieure et inférieure pour regrouper le châssis.



Instructions d'installation

14. Fixation du cache supérieur de la cave à vin

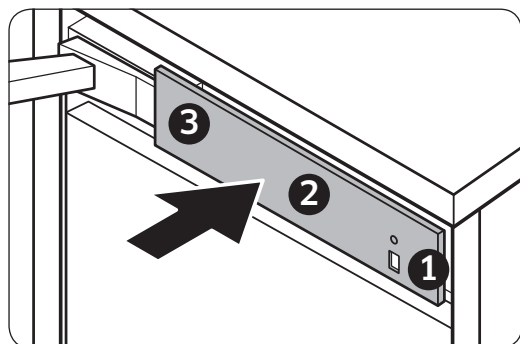
Le capteur d'intensité lumineuse est fixé sur le cache supérieur. La cave à vin n'utilise pas le capteur d'intensité lumineuse. Par conséquent, vous n'avez pas besoin de brancher le connecteur du capteur.



1. Branchez les câbles des pièces électriques autour du kit d'ouverture automatique de la porte puis insérez les câbles dans le tube rectangulaire.

⚠ ATTENTION

Veillez à ne pas endommager les câbles.



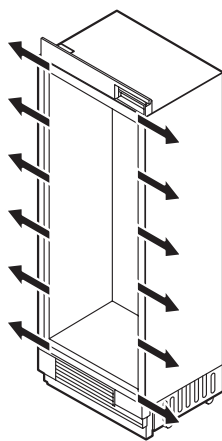
2. Pour fixer le cache supérieur, fixez les crochets dans l'ordre indiqué sur l'illustration.

15. Fixation de la cave à vin

Fixez le réfrigérateur dans son caisson avec des vis (TH) M4x16 (6 vis par côté, comme indiqué sur le schéma).

ATTENTION

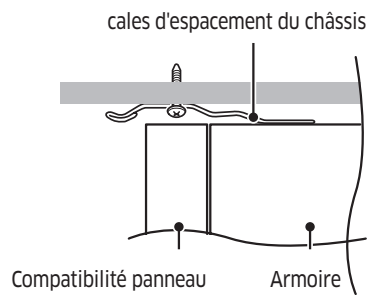
Vérifiez que l'appareil est de niveau. Si l'appareil n'est pas de niveau, le casier à bouteilles pourrait glisser vers l'intérieur ou vers l'extérieur.



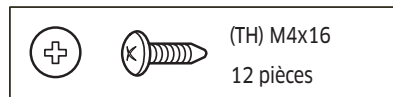
Emplacement fixe



cales d'espacement
du châssis



Vue de dessus



(TH) M4x16
12 pièces

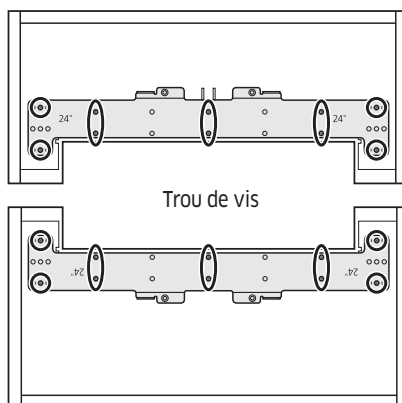
Instructions d'installation

16. Fixation des supports du panneau personnalisé de la porte

Fixez les supports du panneau sur la partie supérieure et inférieure du panneau.

Panneau personnalisé : STS

Enfoncez les 10 vis sur la partie supérieure et inférieure des supports, comme indiqué sur le schéma. (Les autres trous de chaque côté du support ont une autre utilité).

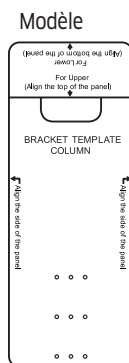
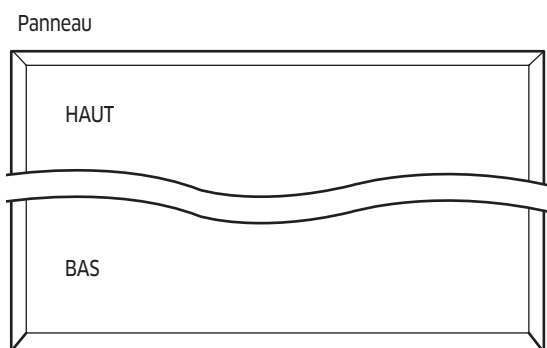



  (FH) M4x14 20 pièces

SUP. : 10 pièces / INF. : 10 pièces

Panneau personnalisé : bois, autre

- Le modèle vous indique la position du support et des trous.
- Marquez les positions des trous de chaque coin du panneau selon le modèle et insérez les vis dans les trous.

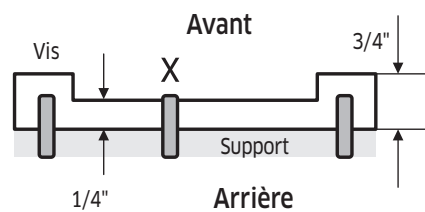
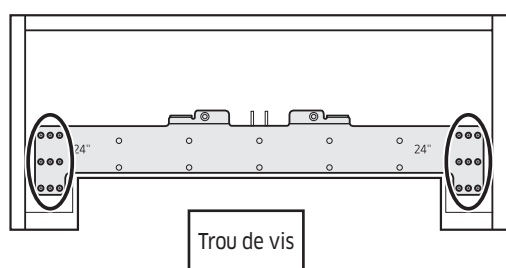


  (FH) M4x14 20 pièces

SUP. : 10 pièces / INF. : 10 pièces

Panneau personnalisé : arrière encastré, autre

Si le panneau ne peut pas être fixé au centre du support en raison de sa conception, utilisez les trous de vis adaptés de chaque côté du support pour fixer le panneau.



(FH) M4x14
20 pièces
SUP. : 10 pièces / INF. : 10 pièces

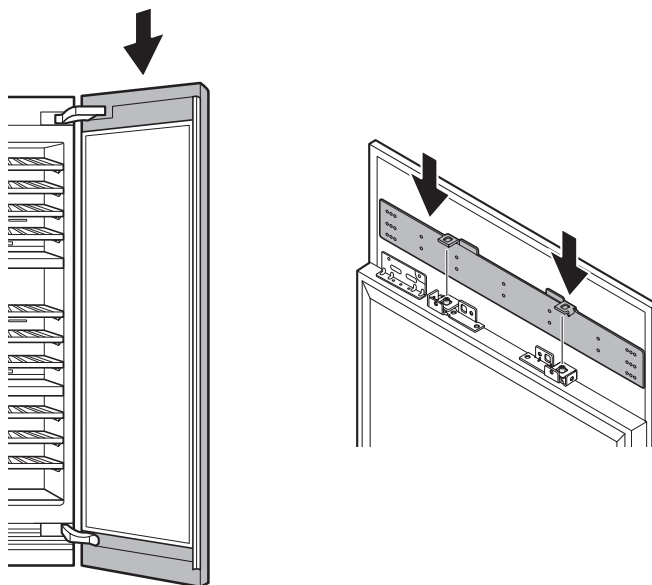
Instructions d'installation

17. Fixation d'un panneau personnalisé

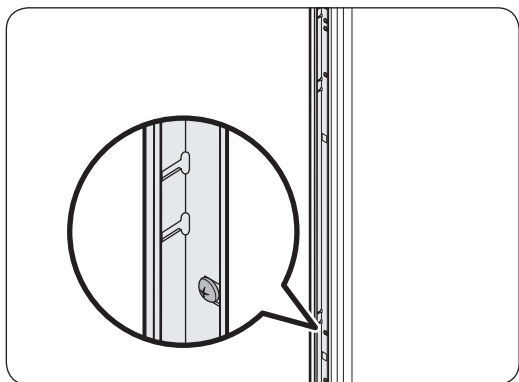
AVERTISSEMENT

Si vous installez un panneau personnalisé avant de fixer l'appareil sur l'armoire, le panneau personnalisé peut basculer. Afin d'éviter cela, vous devez suivre les instructions d'installation

- Placez le support du panneau sur la vis d'ajustement de hauteur. (Voir le schéma).

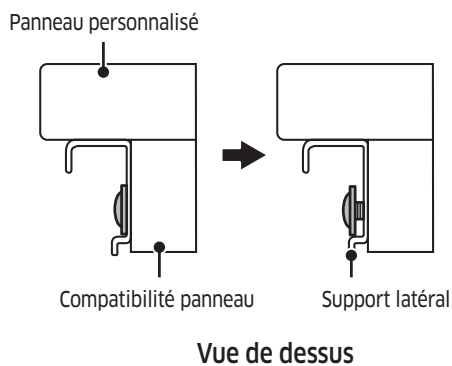
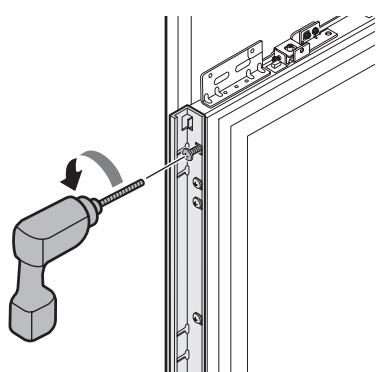


18. Préparation du panneau pour l'ajuster



1. Fixez le panneau personnalisé temporairement sur le côté de la porte en serrant la vis au milieu du panneau.

2. Desserrez les 6 vis, sans les retirer, sur le côté de la porte de façon à pouvoir ajuster le panneau personnalisé à la verticale.



(PW) M4x16

12 pièces

Instructions d'installation

19. Alignement du panneau

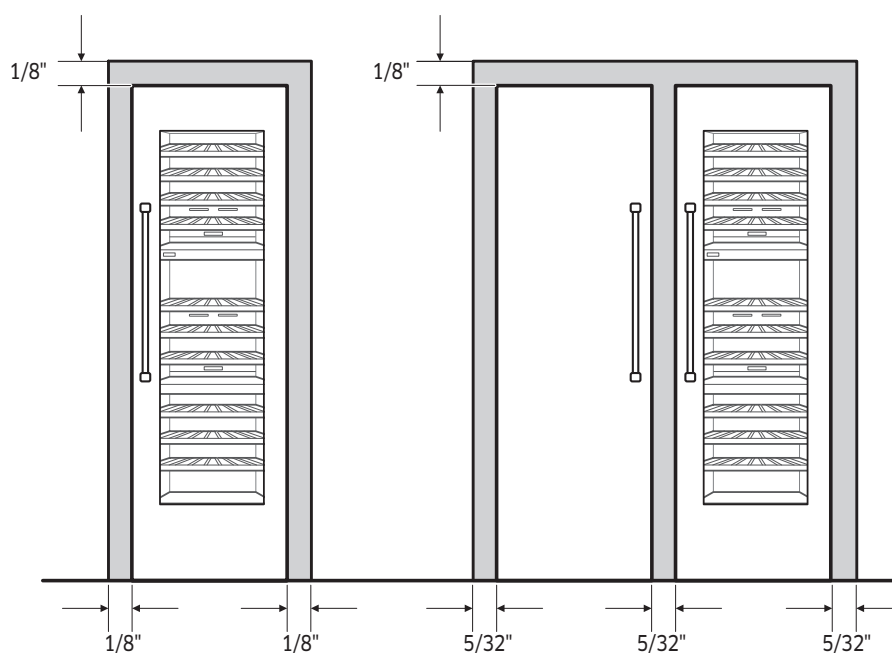
REMARQUE

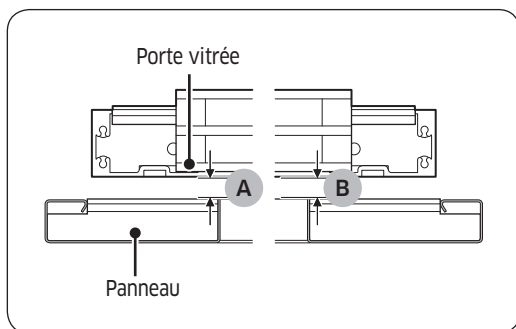
Chaque panneau personnalisé est accompagné de 12 vis dédiées que vous pouvez utiliser pour l'ajustement. Utilisez un nombre minimal de vis pour ajuster le panneau personnalisé avec le meuble. Une fois l'ajustement terminé, fixez le panneau personnalisé à l'aide de l'écrou supérieur.

Il y a deux mécanismes d'ajustement de panneau au-dessus et deux en dessous de la porte. Ajustez le panneau de sorte qu'il soit aligné avec le meuble autour.

L'espace entre le meuble et le panneau doit être de :

- 1/8" (3 mm) en haut
- 1/8" (3 mm) sur le côté pour une installation unique
- 5/32" (4 mm) sur le côté pour une installation côte à côte





L'interstice entre la porte vitrée et le panneau doit être identique de tous les côtés (haut, bas, droite et gauche) ou la différence ne doit pas être supérieure à $2/32''$ (2 mm). (Par exemple, si A est égal à 2 mm, B ne doit pas dépasser 4 mm.)

Partie supérieure de la porte

1. Utilisez les boulons à double pas pour aligner le panneau de la porte.
2. Engagez une vis de fixation latérale (voir le schéma) pour basculer le panneau de façon latérale.
3. Engagez la vis 1 (voir le schéma) pour basculer le panneau vers l'avant/arrière, engagez la vis 2 pour mettre le panneau en place.

Instructions d'installation

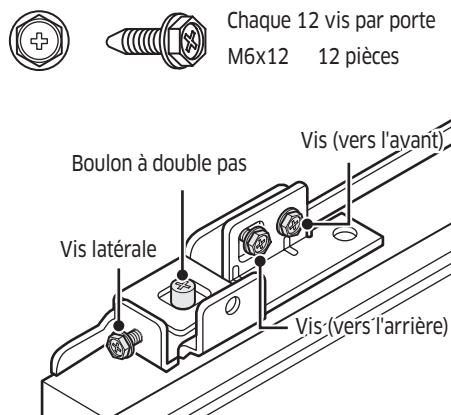
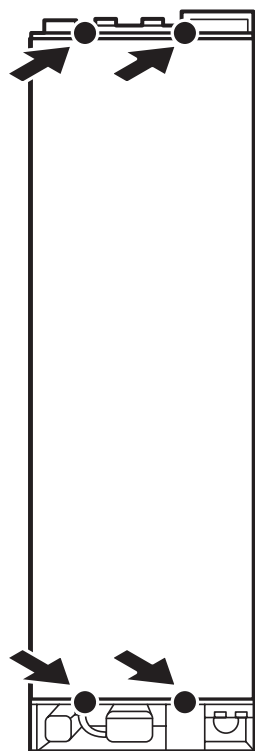
1. Engagez le boulon à double pas (voir le schéma) pour relever ou abaisser le panneau.
2. Engagez une vis de fixation latérale (voir le schéma) pour basculer le panneau de façon latérale.

⚠ ATTENTION

Prenez garde à ne pas endommager les fils lors du serrage de la vis latérale.

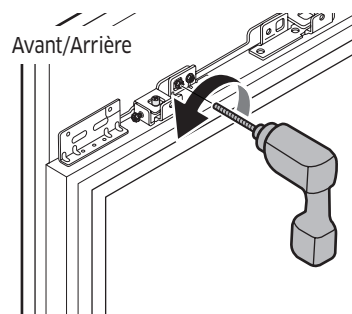
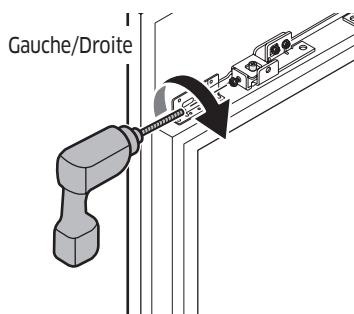
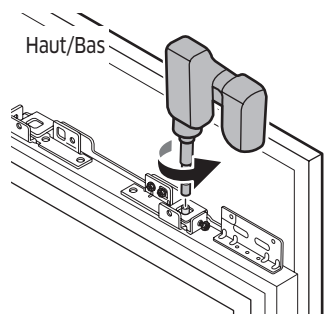
3. Engagez la vis (vers l'arrière) (voir le schéma) pour basculer le panneau vers l'avant/arrière ; engagez la vis (vers l'avant) pour mettre le panneau en place.

● Mécanismes d'ajustement du panneau

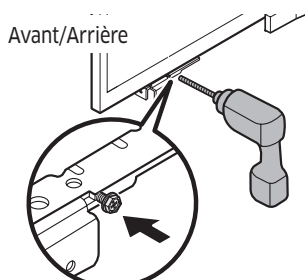
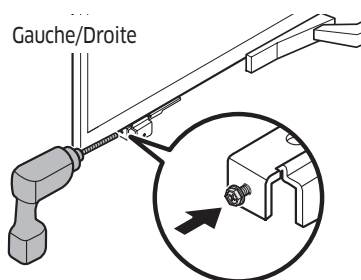


Mécanisme d'ajustement du panneau

Partie supérieure de la porte

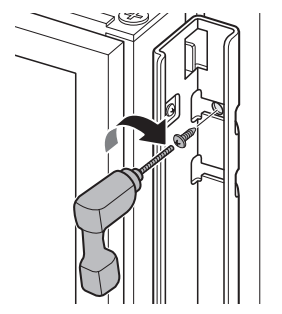
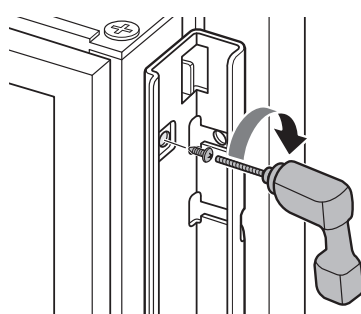
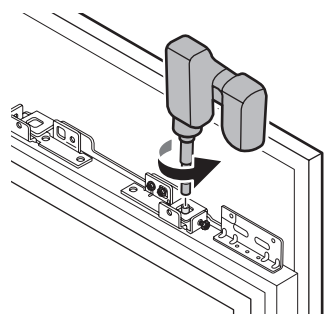


Partie inférieure de la porte



Fixation du panneau sur la porte

1. Vissez les écrous sur les boulons à double pas.
2. Serrez les vis pour assembler le panneau et la porte, comme indiqué dans l'illustration.



Deux écrous par ensemble
 M13

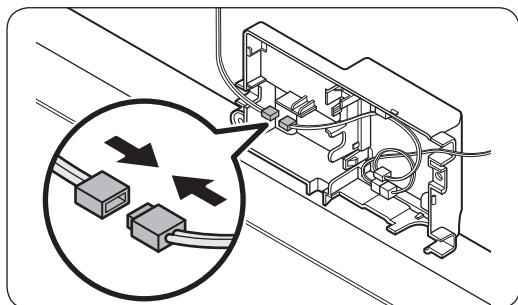
Six vis par côté
(dans la porte)

Six vis par côté
(dans le panneau)

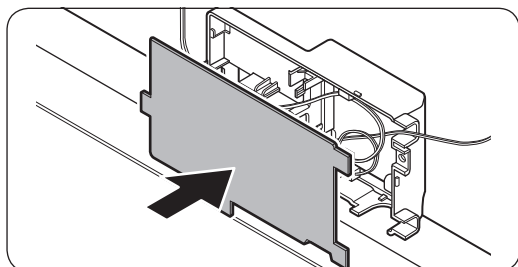
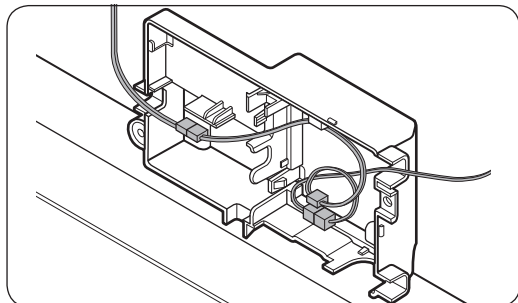
Instructions d'installation

20. Fixation des caches intérieurs de la porte

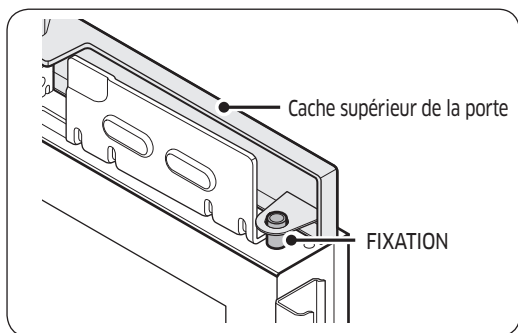
Cache supérieur de la porte



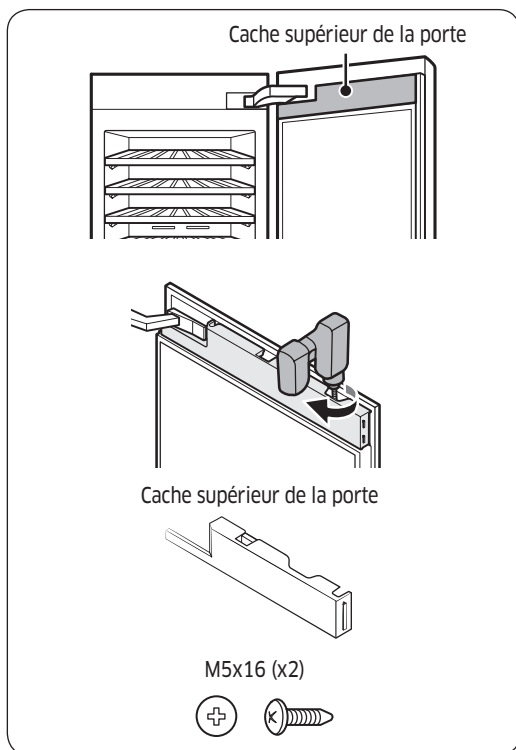
1. Branchez le connecteur du capteur d'humidité, puis disposez les fils comme indiqué sur l'illustration.



2. Installez le cache intérieur.



3. Insérez les deux anneaux latéraux du cache supérieur de la porte sur la fixation.

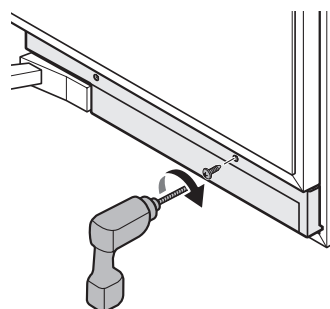
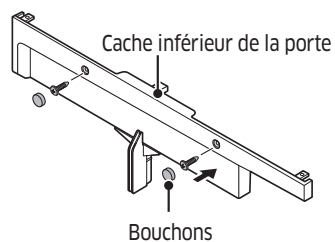


4. Serrez les 2 vis pour fixer le cache supérieur de la porte.

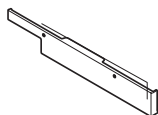
Instructions d'installation

Cache inférieur de la porte

1. Fixez le guidage d'air sur le cache inférieur de la porte (2 vis par ensemble).
2. Fixez le cache inférieur de la porte en enfonçant les vis à partir de la partie avant (2 vis par ensemble).
3. Placez les bouchons sur les trous de vis.



Cache inférieur de la porte



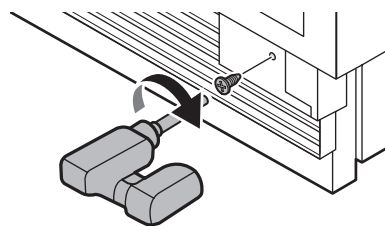
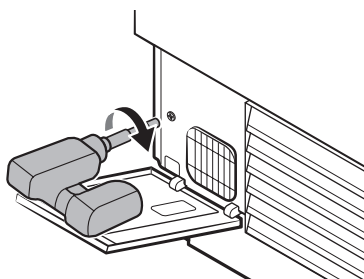
(FH) M4x14 2 pièces



21. Fixation du gril, de la plinthe et de la patte (en option)

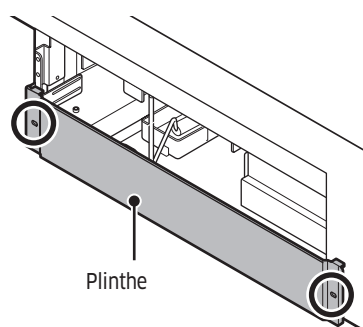
Fixation du gril

- Vissez fermement les vis des deux côtés pour fixer le gril.
En cas de non-respect de cette consigne, la porte risque de ne pas fermer complètement.

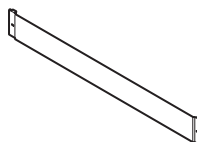


Fixation de la plinthe

- Vissez les vis des deux côtés pour fixer la plinthe.



Plinthe



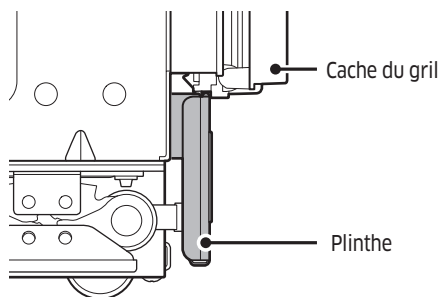
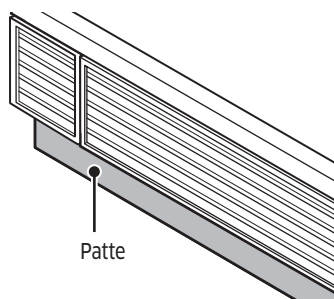
M4x8 2 pièces



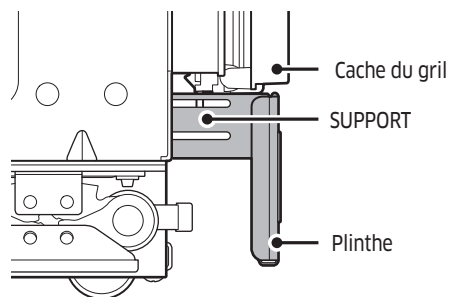
Instructions d'installation

Fixation de la patte

- La hauteur de l'appareil peut être ajustée entre 83 3/8" ~ 84 3/8".
- Si vous souhaitez utiliser la patte (4") fournie par Dacor, notez que celle-ci a été conçue pour un appareil d'une hauteur de 83 7/8" et pour un meuble d'une hauteur de 84".
- Si vous souhaitez utiliser une patte non fournie par Dacor, ajustez sa hauteur en fonction.
- Vous pouvez étendre le support pour déplacer la plinthe de 32 mm maximum vers l'avant.



Réglage en usine par défaut



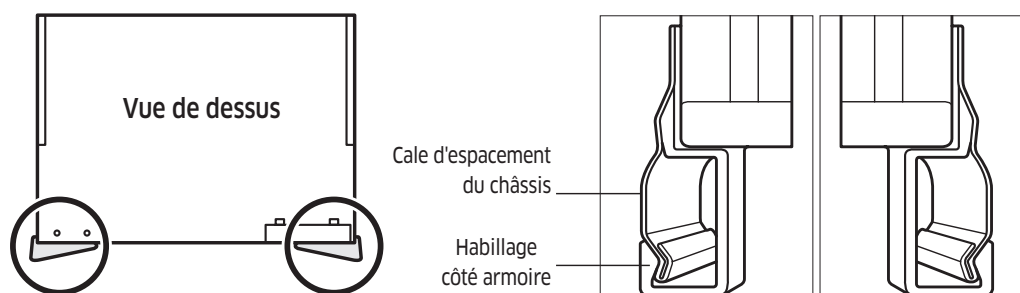
32 mm vers l'avant

22. Fixation de l'habillage de la cave à vin

1. Habillage côté armoire : fixez l'habillage entre le réfrigérateur et l'armoire.

⚠ AVERTISSEMENT

Après l'installation, veuillez vérifier de nouveau si tout est correct.



2. Habillage côté porte : fixez l'habillage sur le support côté porte.

- Reportez-vous à la figure 1-① et installez l'habillage latéral de la porte sur le support. Assurez-vous que l'habillage est correctement mis en place.
- Reportez-vous à la figure 2-② et installez l'habillage latéral de la porte sur la nervure du cache de la porte. Assurez-vous que l'habillage est correctement maintenu en place sans interstice aussi bien en haut (figure 2-③) qu'en bas (figure 2-④).

⚠ AVERTISSEMENT

Après l'installation, veuillez vérifier de nouveau si tout est correct.

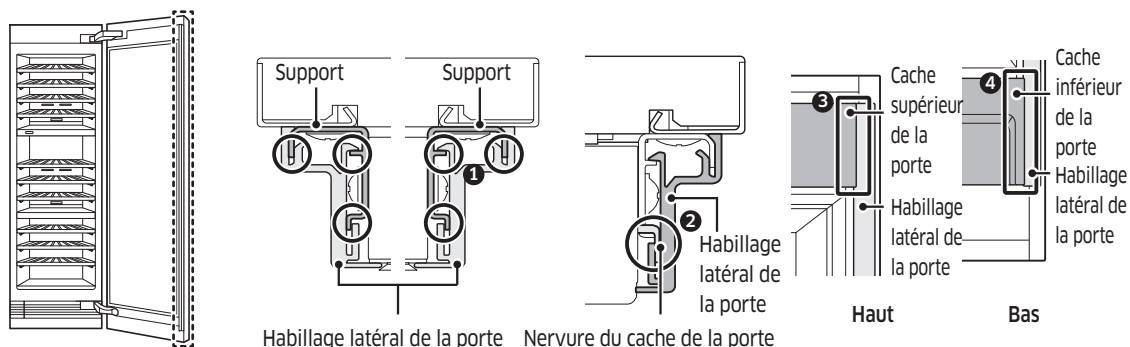


Figure 1

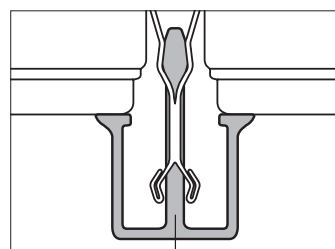
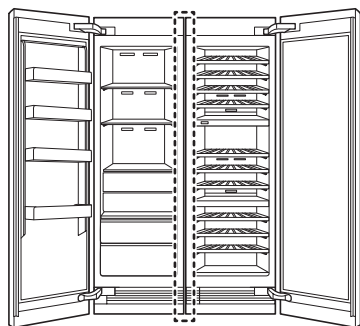
Figure 2

Instructions d'installation

3. (Installation côte à côte uniquement) Habillage central : fixez l'habillage entre le réfrigérateur et le châssis.

AVERTISSEMENT

Après l'installation, veuillez vérifier de nouveau si tout est correct.

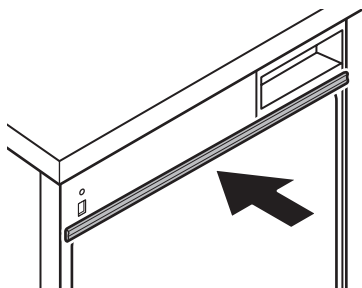


Habillage central

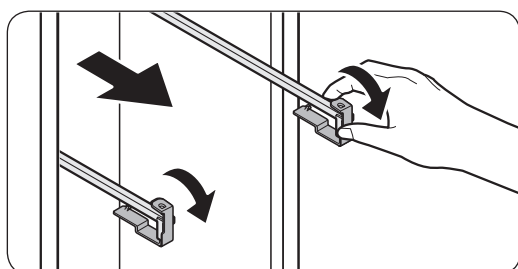
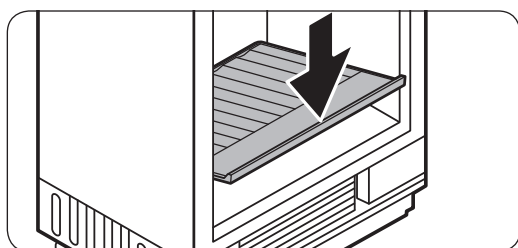
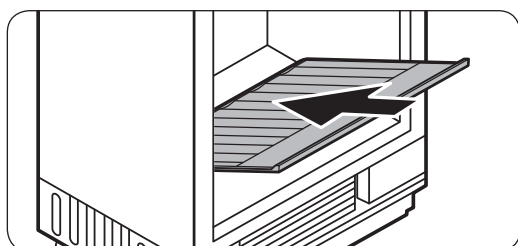
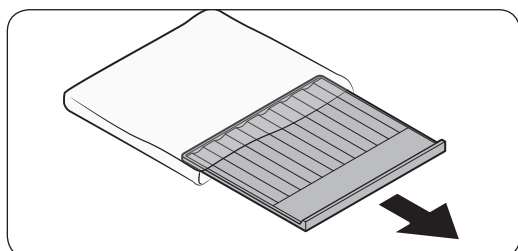
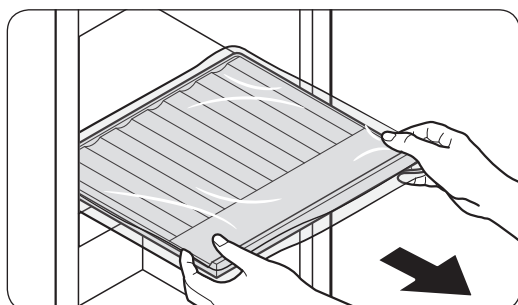
23. Fixation du cache supérieur de l'habillage

Fixez le cache supérieur de l'habillage en bas du cache supérieur.

- Pour une installation côte à côte, coupez le cache supérieur de l'habillage pour adapter sa largeur avant de le fixer.



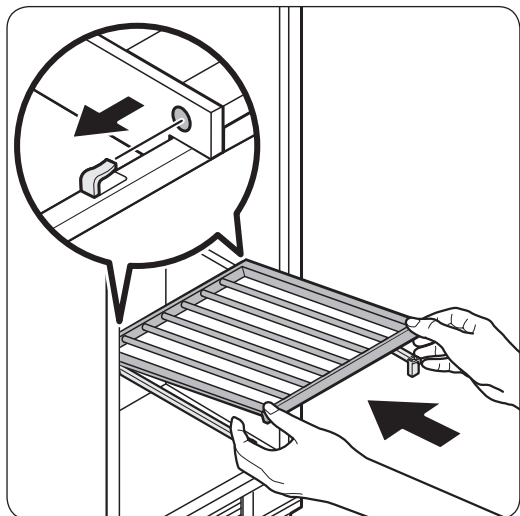
24. Installation de la cave à vin



1. Retirez l'emballage de la clayette inférieure, puis placez celle-ci en bas de la cave à vins.

2. Retirez le système de fixation du rail.

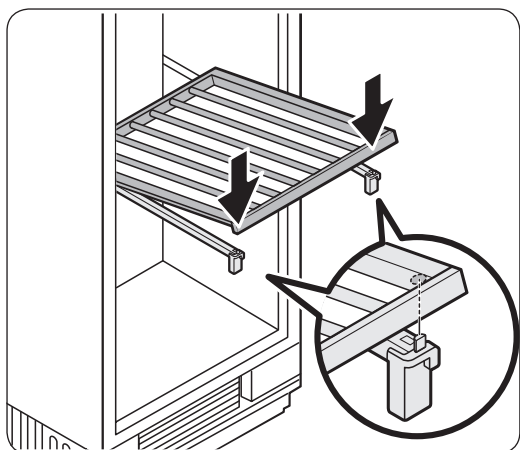
Instructions d'installation



3. Saisissez la partie avant du casier à bouteilles et le rail, puis poussez le casier à bouteilles de sorte à insérer le crochet à l'arrière du rail dans le trou situé à l'arrière du casier à bouteilles, comme illustré sur la figure.

REMARQUE

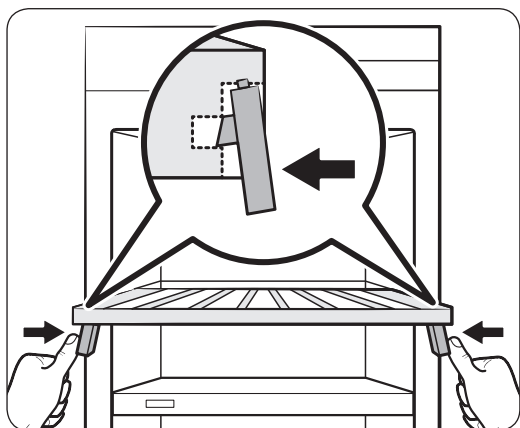
Assurez-vous d'insérer correctement les crochets des deux rails dans le casier.

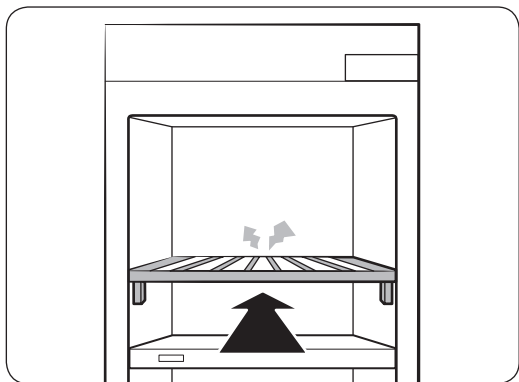
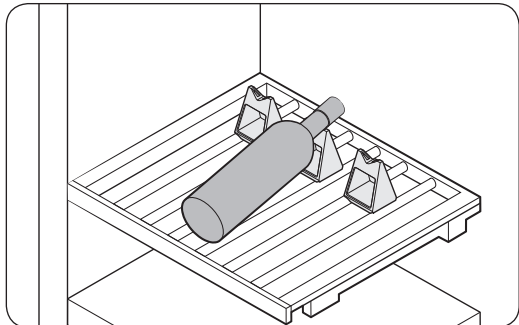
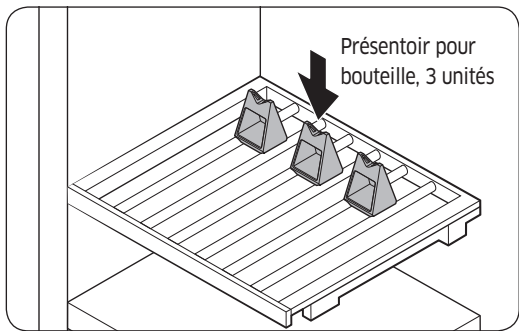
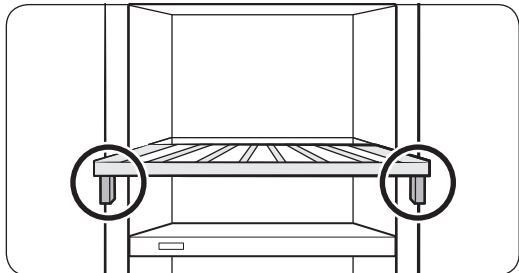


4. Fixez la partie avant du casier à bouteilles en plaçant le casier à l'avant du rail et en insérant les deux clips sur le dessus et sur le côté du rail dans les trous situés sur le devant du casier, comme illustré sur la figure.

REMARQUE

Assurez-vous d'insérer correctement les clips des deux rails dans les trous situés sur le casier.





5. Placez 3 présentoirs pour bouteilles sur le casier à bouteilles de la zone de présentation.

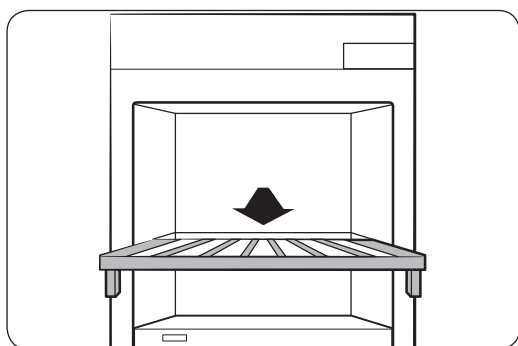
6. Faites glisser le casier à bouteilles vers l'intérieur jusqu'à ce que vous entendiez un déclic.

Instructions d'installation

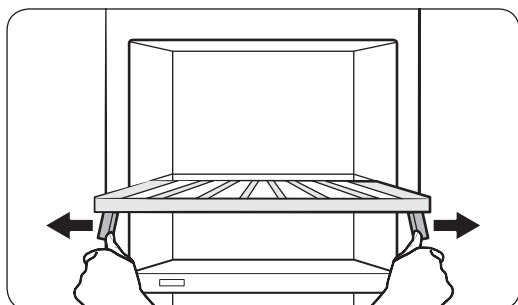
⚠ AVERTISSEMENT

- Vérifiez que l'appareil est de niveau. Si l'appareil n'est pas de niveau, le casier à bouteilles pourrait glisser vers l'intérieur ou vers l'extérieur.
- Assurez-vous que le casier à bouteilles est fermement fixé.

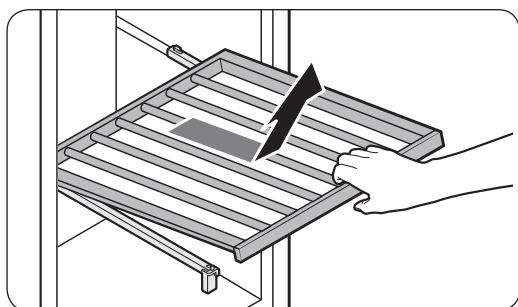
25. Démontage de la cave à vin



1. Retirez le casier à bouteilles.



2. Écartez légèrement les rails et soulevez la partie avant du casier pour le libérer des clips.



3. Tirez le casier à bouteilles pour le retirer.

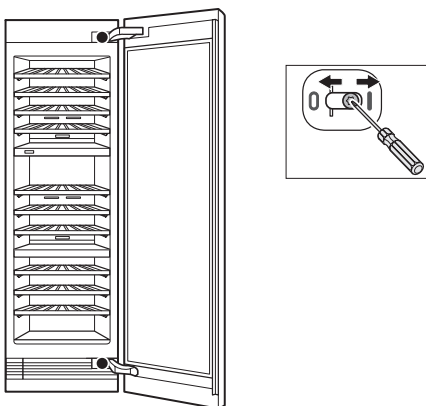
26. Ajustement du ressort de la porte

Ajustez la tension du ressort de la porte selon la taille de l'appareil.

Avec un tournevis cruciforme, tournez la vis d'ajustement.

I = tension maximale du ressort

0 = aucune tension du ressort



27. Nettoyage

Retirez le vinyle de protection.

Instructions d'installation

28. Liste de vérifications pour l'installation

Assurez-vous que la cave à vin fonctionne correctement et que le panneau personnalisé de la porte s'aligne avec le meuble autour.

AVERTISSEMENT

- La liste de vérifications suivante doit être complétée par l'installateur pour s'assurer que la cave à vin est installée correctement et de façon sécurisée, qu'elle fonctionne correctement, et qu'aucune pièce n'a été oubliée au cours de l'installation.
- Il incombe au propriétaire de procéder à une bonne installation. **La bonne installation de votre appareil Dacor est essentielle et ne doit pas être négligée.**

Liste de vérifications pour l'installation

- Les éventuels dommages superficiels de l'appareil ont-ils été inspectés ?
- L'appareil est-il correctement aligné avec les armoires adjacentes ?
- Les portes, tiroirs et clayettes fonctionnent-ils de façon fluide et sans interférences ?
- L'emballage, les rubans et autres documents ont-ils été retirés des parties internes et externes de l'appareil ?
- Le câble d'alimentation est-il branché à une prise électrique de mise à la terre à trois broches conforme aux spécifications électriques ?
- L'appareil a-t-il été correctement mis à niveau ?
- L'interstice entre la porte vitrée et le panneau est-il approprié ? (Veuillez vous reporter à la page 53.)
- Le support antibasculement a-t-il été correctement installé ?
- Le système d'ouverture automatique de la porte fonctionne-t-il correctement ?
- Les composants du réfrigérateur fonctionnent-ils tous correctement ?
- La garantie a-t-elle été activée en ligne / la carte de garantie a-t-elle été complétée et transmise ?
- L'appareil est-il de niveau ?
- Le casier à bouteilles est-il fermement fixé ?
- Avez-vous montré à l'utilisateur comment monter et démonter le casier à bouteilles en suivant le mode d'emploi ?

Mémo

Mémo

Mémo



DA68-03621J-02

dacor[®]

Dacor • 14425 Clark Avenue, City of Industry, CA 91745 • Tél. : (833) 353-5483 • Fax : (626) 403-3130 • www.dacor.com

