

dacor

Installation manual

Gas Pro Range

DOP48*960G*

⚠ WARNING

Never Operate the Top Surface Cooking Section of this Appliance Unattended

- Failure to follow this warning statement could result in fire, explosion, or burn hazard that could cause property damage, personal injury, or death.
- If a fire should occur, keep away from the appliance and immediately call your fire department.

DO NOT ATTEMPT TO EXTINGUISH AN OIL / GREASE FIRE WITH WATER.

WARNING : If the information in this manual is not followed exactly, a fire or explosion may result causing property damage, personal injury or death.

- **DO NOT** store or use gasoline or other flammable vapors and liquids in the vicinity of this or any other appliance.
- **DO NOT** install this product with an air curtain hood or other range hood that operates by blowing air down on the cooktop. This airflow may interfere with operation of the gas burners resulting in fire or explosion hazard.
- **WHAT TO DO IF YOU SMELL GAS:**
 - **DO NOT** try to light any appliance.
 - **DO NOT** touch any electrical switch.
 - **DO NOT** use any phone in your building.
 - Immediately call your gas supplier from a neighbor's phone. Follow the gas supplier's instructions.
 - If you cannot reach your gas supplier, call the fire department.
- Installation and service must be performed by a qualified installer, service agency, or the gas supplier.

ANTI-TIP DEVICE



⚠ WARNING

ALL RANGES CAN TIP, RESULTING IN PERSONAL INJURY.



TIPPING RANGES CAN CAUSE BURNS FROM SPILLS, PERSONAL INJURY, AND/OR DEATH.

INSTALL AND CHECK THE ANTI-TIP BRACKET FOLLOWING THE INSTRUCTIONS AND TEMPLATE SUPPLIED WITH THE BRACKET.

- To prevent accidental tipping of the range, attach an approved anti-tip device to the floor. (See Installing the Anti-Tip Device in the Installation Instructions.) Check for proper installation by carefully tipping the range forward. The anti-tip device should engage and prevent the range from tipping over.
- If the range is pulled out away from the wall for any reason, make sure the anti-tip device is reengaged after the range has been pushed back into place.
- Follow the installation instructions found in the Installation Manual. Failure to follow these instructions can result in death, serious personal injury, and / or property damage.
- **DO NOT step / sit / lean** on the door or drawer to prevent accidental tipping of the range.

Contents

Before you begin	4
About this manual	4
Important safety information	4
Read all instructions before using this appliance	4
Symbols used in this manual	4
California Proposition 65 Warning	5
Commonwealth of Massachusetts	5
General safety	5
Fire safety	6
Gas safety	6
Electrical and grounding safety	7
Installation safety	7
Location safety	8
Cooktop safety	8
Oven safety	9
Self-cleaning oven safety	10
Gas range components	10
Gas range specifications	10
Installation requirements	12
Location requirements	12
Installation guide	13
To remove safely from the pallet	14
To avoid breakage	14
Gas requirements	15
Special gas requirements (gas models sold in Massachusetts)	16
Electrical requirements	16

Tools and materials	18
What's in the box	18
Installation instructions	19
Installing your gas range	19
Adjusting the oven burner air adjustment shutters	26

Before you begin

About this manual

Read these instructions completely and carefully.

Important note to the installer

- Read all instructions contained in these installation instructions before installing the range.
- Remove all packing materials from the oven compartments before connecting the electric and gas supply to the range.
- Observe all governing codes and ordinances.
- Be sure to leave these instructions with the consumer.
- Installation of this appliance requires basic mechanical skills.
- Proper installation is the responsibility of the installer.
- Product failure due to improper installation is not covered under the Warranty.

Important note to the consumer

Keep these instructions with your user manual for future reference.

- As when using any appliance generating heat, there are certain safety precautions you should follow.
- Be sure your range is installed and grounded properly by a qualified installer or service technician.
- Make sure the wall coverings around the range can withstand the heat generated by the range.
- Cabinet storage space above the surface burners should be a minimum of 30 in (76.2 cm).

Important note to the servicer

The electrical diagram is in an envelope attached to the back of the range.

Important safety information

Read all instructions before using this appliance

- All electrical and gas equipment with moving parts can be dangerous. Please read the important safety instructions for this appliance in this manual. The instructions must be followed to minimize the risk of injury, death, or property damage.
- Save this manual. Please Do Not Discard.

Symbols used in this manual

WARNING

Hazards or unsafe practices that may result in severe personal injury or death.

CAUTION

Hazards or unsafe practices that may result in electric shock, personal injury or property damage

NOTE

Useful tips and instructions

These warning icons and symbols are here to prevent injury to you and others. Please follow them explicitly. After reading this section, keep it in a safe place for future reference.

California Proposition 65 Warning

⚠️ WARNING

Cancer and Reproductive Harm - www.P65Warnings.ca.gov.

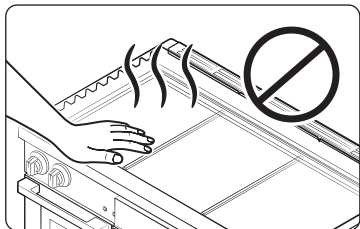
Commonwealth of Massachusetts

This product must be installed by a licensed plumber or gas fitter qualified or licensed by the State of Massachusetts. When using ball-type gas shut-off valves, you must use the T-handle type. Multiple flexible gas lines must not be connected in series.

General safety

⚠️ WARNING

To reduce the risk of fire, electric shock, personal injuries, and/or death, obey the following precautions.



- **Do not touch** any part of the range, including but not limited to, oven burners, surface burners, or interior surfaces during or immediately after cooking.
- **Know** the location of the gas shut-off valve and how to shut it off.
- **Make sure** the **anti-tip device** is properly installed on the range. See the installation instructions for more information.
- **Do not let children near, in, or on the range.** Do not let children play with the range or any part(s) of the range. Do not leave children unattended in an area where the range is in use. For children's safety, we recommend utilizing the control/door lockout feature.
- **Remove** all packaging materials from the range before operating to prevent ignition of these materials. Keep all packaging materials out of children's reach. Properly dispose the packaging materials after the range is unpacked.

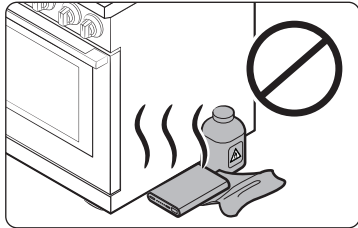
- **Do not store** any object of interest to children on the cooktop or backguard of the range. Children climbing on the range to reach items could be killed or seriously injured.
- **Do not operate** the range if the range or any part of the range is damaged, malfunctioning, or missing parts.
- **Do not use** the range as a space heater. This range is to be used for cooking purposes only.
- **Do not use** oven cleaners or oven liners in or around any part of the oven.
- **Use** only dry pot holders.
- **Do not use** the range to heat unopened food containers.
- **Do not strike** the oven glass.
- When disposing of the range, **cut off** the power cord and **remove** the door.
- **Unplug** or **disconnect** power before servicing.
- **Make sure** all meat and poultry is cooked thoroughly. Meat should always be cooked to an internal temperature of 160 °F (71 °C). Poultry should always be cooked to an internal temperature of 180 °F (82 °C).

Important safety information

Fire safety

⚠ WARNING

To reduce the risk of fire, electric shock, personal injuries, and/or death, obey the following precautions.



- **Do not store, place, or use** flammable or combustible materials such as charcoal, paper, plastic, pot holders, linens, curtains, gasoline or other flammable vapors or liquids near or inside the range.
- **Do not wear** loose fitting or hanging garments while using the range.

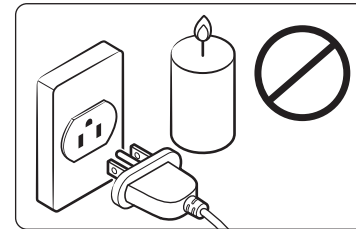
- To avoid grease buildup, **regularly clean** the vents.
- **Do not let** pot holders or other flammable materials touch a heating element. Do not use a towel or other bulky cloths in place of a pot holder.
- **Do not use** water on a grease fire. To put out a grease fire, turn off the heat source and smother the fire with a tight-fitting lid or use a multipurpose dry chemical or foam-type fire extinguisher.
- If a grease fire should occur in the oven, **turn off the oven** by rotating the mode selector knob to the **Off** position. Keep the oven door closed until the fire goes out. If necessary, **use** a multipurpose dry chemical or foam-type fire extinguisher.
- **Do not heat** unopened food containers - buildup of pressure may cause container to burst and result in injury.

Gas safety

⚠ WARNING

To reduce the risk of fire, electric shock, personal injuries, and/or death, obey the following precautions.

If you smell gas:



- **Close the valve** and do not use the range.
- **Do not light** a match, candle, or cigarette.
- **Do not turn on** any gas or electric appliances.
- **Do not touch** any electrical switches or plug a power cord into an outlet.
- **Do not use** any phone in your building.
- **Evacuate** the room, building, or area of all occupants.
- **Immediately call** your gas supplier from a neighbor's phone. Follow the gas supplier's instructions.
- If you cannot reach your gas supplier, call the fire department.

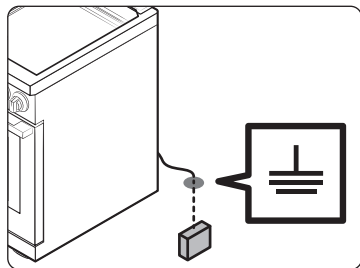
Checking for gas leaks

Leak testing of the appliance shall be conducted according to the manufacturer's instructions. **Do not use** a flame to check for gas leaks. Use a brush to spread a soapy water mixture around the area you are checking. If there is a gas leak, you will see small bubbles in the soapy water mixture at the leak point.

Electrical and grounding safety

⚠ WARNING

To reduce the risk of fire, electric shock, personal injuries, and/or death, obey the following precautions.



- Plug into a grounded 3-prong outlet.
- **Do not remove** the ground prong.
- **Do not use** an adapter or an extension cord.
- **Do not use** a damaged power plug, power cord, or loose power outlet.
- **Do not modify** the power plug, power cord, or power outlet in any way.

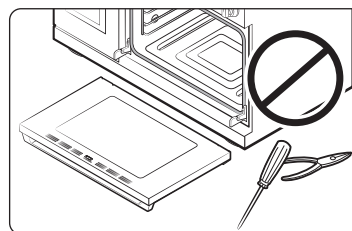
- **Do not put** a fuse in a neutral or ground circuit.
- Use a dedicated 120-volt, 60-Hz, 12.5amp, AC, fused electrical circuit for this range. A time-delay fuse or circuit breaker is recommended. Do not plug more than one appliance into this circuit.
- **Do not connect** the ground wire to plastic plumbing lines, gas lines, or hot water pipes.
- This range **must be Earth grounded**. In the event of a malfunction or breakdown, grounding will reduce the risk of electrical shock by providing a path for the electric current. This range is equipped with a cord having a grounding plug. The plug must be firmly plugged into an outlet that is properly installed and grounded in accordance with the local codes and ordinances. If you are unsure whether your electrical outlet is properly grounded, have it checked by a licensed electrician.
- The range is supplied with a 3-pronged grounded plug. This cord must be plugged into a grounded 3-prong outlet that meets all local codes and ordinances. If codes permit the use of a separate ground wire, we recommend that a qualified electrician determine the proper path for this ground wire.

- Electrical service to the range must conform to local codes. Barring local codes, it should meet the latest ANSI/NFPA No. 70 - Latest Revision (for the U.S.) or the Canadian Electrical Code CSA C22.1 - Latest Revisions.
- It is the personal responsibility of the range owner to provide the correct electrical service for this range.

Installation safety

⚠ WARNING

To reduce the risk of fire, electric shock, personal injuries, and/or death, obey the following precautions.



Have your range installed and properly grounded by a **qualified installer**, in accordance with the installation instructions. Any adjustment and service should be performed only by qualified gas range installers or service technicians.

- **Do not attempt** to service, modify, or replace your range or any part of your range unless it is specifically recommended in this manual. All other service should be referred to a qualified technician.
- Always use new flexible connectors when installing a gas appliance. **Do not use** old flexible connectors.
- **Make sure** the anti-tip device is properly installed on the range. See the installation instructions for more information.
- Due to the size and weight of the range, have **two or more people** move the range.
- **Remove** all tape and packaging materials.
- **Remove** all accessories from the cooktop and oven. Grates are heavy. Use caution when handling them.
- **Make sure** no parts came loose during shipping.

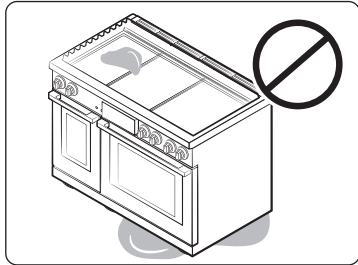
Important safety information

- **Make sure** your range is correctly installed and adjusted by a qualified service technician or installer for the type of gas (natural or LP) you will use. For your range to utilize LP gas, the installer must replace the 6 surface burner orifices and 2 oven orifices with the provided LP orifice set, and reverse the GPR adapter. These adjustments must be made by a qualified service technician in accordance with the manufacturer's instructions and all codes and requirements of the authority having jurisdiction. The qualified agency performing this work assumes the gas conversion responsibility.
- Installation of this range must conform with local codes or, in the absence of local codes, with the National Fuel Gas Code, ANSI Z223.1/NFPA.54, latest edition. In Canada, installation must conform with the current Natural Gas Installation Code, CAN/CGA-B149.1, or the current Propane Installation Code, CAN/CGA-B149.2, and with local codes where applicable. This range has been design-certified by ETL according to ANSI Z21.1, latest edition, and Canadian Gas Association according to CAN/CGA-1.1, latest edition.

Location safety

⚠ WARNING

To reduce the risk of fire, electric shock, personal injuries, and/or death, obey the following precautions.



- This range is for indoor, household use only. **Do not install** the range in areas exposed to the weather and/or water.
- **Do not install** the range in a place which is exposed to a strong draft.

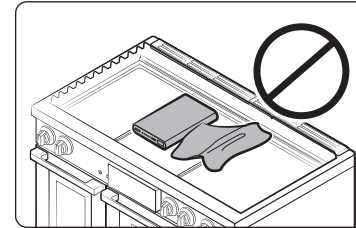
- Select a level, well-constructed floor that can support the range's weight. Synthetic flooring, such as linoleum, must withstand 180 °F (82 °C) temperatures without shrinking, warping, or discoloring. **Do not install** the range directly over interior kitchen carpeting unless a sheet of ¼ inch plywood or a similar insulator is placed between the range and carpeting.

- Select a location where a grounded, 3-prong outlet is easily accessible.
- If the range is located near a window, **do not hang** long curtains or paper blinds on that window.
- For the range to ventilate properly, make sure the range's vents are not blocked or covered, and that there is enough clearance at the top, back, sides, and underneath the range. The vents allow the necessary exhaust for the range to operate properly with correct combustion and get the good cooking result.
- **Make sure** the wall coverings around the range can withstand heat up to 194 °F (90 °C) generated by the range.
- Cabinet storage above the surface of the range should be avoided. If cabinet storage above the range is necessary: allow a minimum clearance of 30 inches (76.2 cm) between the cooking surface and the bottom of cabinets. For detail information, please refer to the **Minimum dimensions** section on page 13.

Cooktop safety

⚠ WARNING

To reduce the risk of fire, electric shock, personal injuries, and/or death, obey the following precautions.



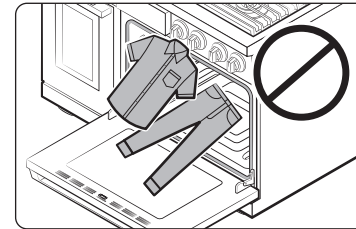
- **Make sure** all burners are off when not in use.
- **Do not use** aluminium foil to line the grates or any part of the cooktop.
- **Do not leave** burners unattended on medium or high heat settings.
- Before igniting, **make sure** all burner caps are properly in place and all burners are level.
- Always use the **Lite** position when igniting the burners and make sure the burners have ignited. If ignition fails, turn the knob to **Off** and wait until the gas has dissipated.
- When you set a burner to simmer, **do not turn** the knob quickly. Make sure the flame stays on.
- **Do not** place any objects other than cookware on the cooktop.
- This cooktop is designed to cook with a wok or wok ring attachment. If foods are flamed, they should only be flamed under a ventilation hood that is on.

- Before removing or changing cookware, turn off the burners.
- Remove food and cookware immediately after cooking.
- Before removing any parts of the burner for cleaning, make sure the range is off and completely cool.
- After cleaning the burner spreader, **make sure** it is completely dry before re-assembling.
- **Make sure** the spark mark on the dual burner spreader is placed beside the electrode when it is assembled.
- To avoid carbon monoxide poisoning, **do not pour** water into the cooktop well while cleaning.
- Select cookware that is designed for top-range cooking. Use cookware that is large enough to cover the burner grates. Adjust the burner flames so that the flames do not extend beyond the bottom of the cookware.
- To avoid cookware discoloration, deformity, and/or carbon monoxide poisoning, **do not use** cookware that is exceedingly larger than the grate.
- **Make sure** cookware handles are turned to the side or rear of the cooktop, but not over other surface burners.
- Stand away from the range while frying.
- Always heat frying oils slowly, and watch as they heat. If you are frying foods at high heat, carefully watch during the cooking process. If a combination of fats or oils is to be used during frying, mix them together before heating.
- Use a deep-fryer thermometer whenever possible. This prevents overheating the fryer beyond the smoking point.
- Use a minimum amount of oil when shallow pan-frying or deep-frying. Avoid cooking unthawed food or food with excessive amounts of ice.
- Before moving cookware full of fats or oils, make sure it has completely cooled.
- To prevent delayed eruptive boiling, always allow heated liquids to stand at least 20 seconds after you have turned off the burner so that the temperature in the liquid can stabilize. In the event of scalding, follow these first aid instructions:
 1. Immerse the scalded area in cool or lukewarm water for at least 10 minutes.
 2. Do not apply any creams, oils, or lotions.
 3. Cover with a clean, dry cloth.

Oven safety

WARNING

To reduce the risk of fire, electric shock, personal injuries, and/or death, obey the following precautions.



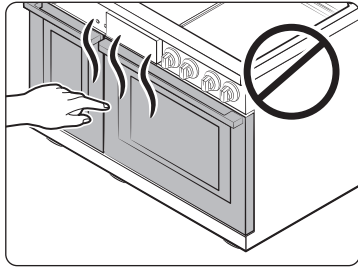
- **Do not use** the oven for non-cooking purposes such as drying clothes or storage. Use the oven for cooking purposes only.
- **Make sure** the inner portion of the split oven-rack is in the proper position within the outer rack.
- **Make sure** the oven racks are placed on the same level on each side.
- **Do not damage, move, or clean** the door gasket.
- **Do not spray** water on the oven glass while the oven is on or just after you have turned it off.
- **Do not use** aluminium foil or foil liners anywhere in the oven. Do not use aluminium foil or like material to cover any holes or passages in the oven bottom or to cover an oven rack.
- Stand away from the oven when opening the oven door.
- Keep the oven free from grease buildup.
- When repositioning the oven racks, **make sure** the oven is completely cool.
- **Only use** cookware that is recommended for use in gas ovens.
- To avoid damaging the burner control knobs, always bake and/or broil with the oven door closed.
- **Do not broil** meat too close to the burner flame (or heater). Trim excess fat from meat before cooking.
- When using cooking or roasting bags in the oven, follow the manufacturer's directions.

Important safety information

Self-cleaning oven safety

⚠ WARNING

To reduce the risk of fire, electric shock, personal injuries, and/or death, obey the following precautions.



The self-cleaning feature operates the oven at temperatures high enough to burn away food soils in the oven. The range is extremely hot during a self-cleaning cycle. **Do not touch** any surfaces of the range during a self-cleaning cycle.

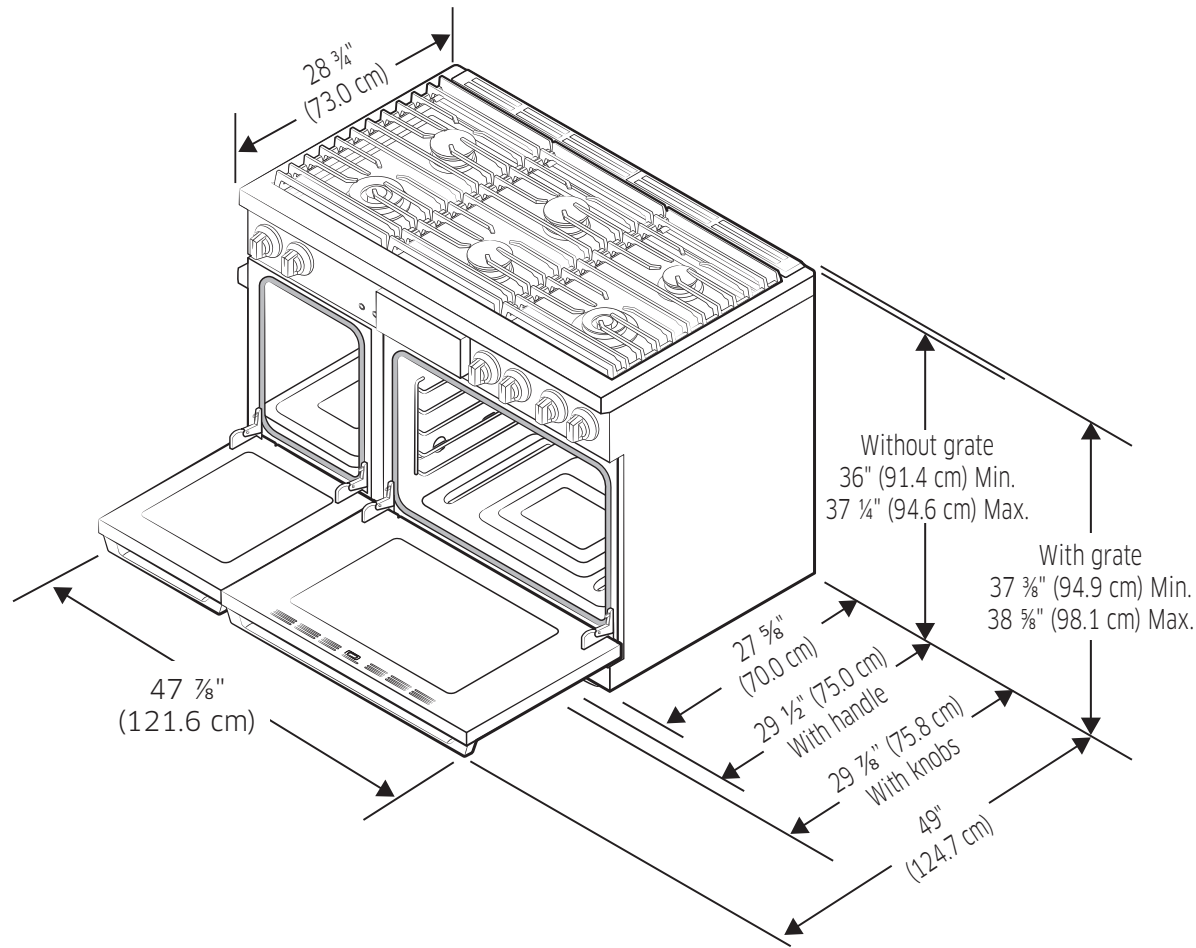
- Keep children away from the oven during a self-cleaning cycle.
- Before starting a self-cleaning cycle, **remove** all racks, cookware, and utensils from the oven. Only porcelain-coated oven racks may be left in the oven.
- Before starting a self-cleaning cycle, wipe grease and food soils from the oven.
- When opening the door after a self-cleaning cycle, stand away from the oven.
- If the self-cleaning cycle malfunctions, turn off the oven, disconnect the power supply, and contact a qualified service technician.

Gas range components

Gas range specifications

MODEL DOP48*960G*

Description	Gas Range
Overall dimensions	47 7/8 in (W) × 37 1/4 in (H) × 29 1/2 in (D) 1216 mm (W) × 946 mm (H) × 750 mm (D)
Electrical	Refer to the rating label.
Gas, ng (natural gas)	5 - 13 in WC
Gas, lp (liquid propane)	10 - 13 in WC
Surface burners (NG)	(LF) - 22,000 BTU / (LR) - 16,000 BTU (RF) - 22,000 BTU / (RR) - 9,000 BTU (CF) - 16,000 BTU / (CR) - 16,000 BTU
Surface burners (LP)	(LF) - 16,000 BTU / (LR) - 15,000 BTU (RF) - 16,000 BTU / (RR) - 9,500 BTU (CF) - 15,000 BTU / (CR) - 15,000 BTU
Oven burners (NG)	36" Broil (Upper) - 18,000 BTU 36" Bake (Lower) - 25,000 BTU 12" Broil (Upper) - 9,000 BTU 12" Bake (Lower) - 14,000 BTU
Oven burners (LP)	36" Broil (Upper) - 14,500 BTU 36" Bake (Lower) - 23,000 BTU 12" Broil (Upper) - 7,000 BTU 12" Bake (Lower) - 12,500 BTU



Gas range components

Installation requirements

Location requirements

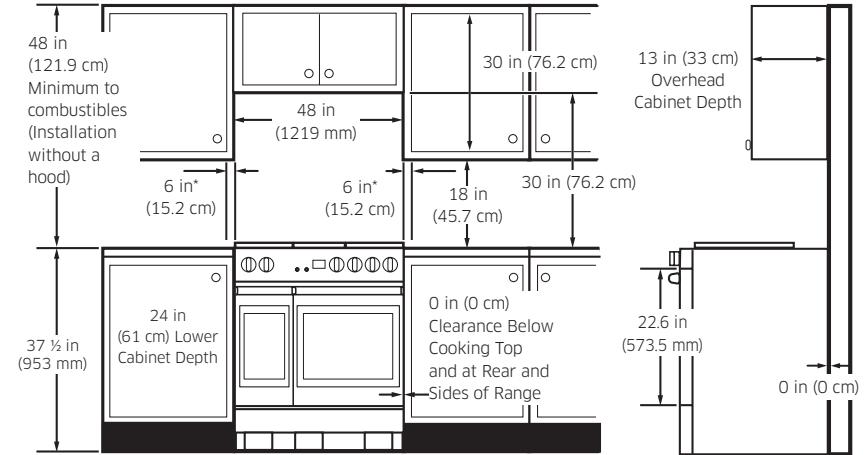
Clearances and dimensions

NOTE

- For OTR over Gas Stove, please follow local GAS CODE.
- BEFORE YOU BEGIN** to install this appliance, refer to the following information, dimensions, and clearances. **Do not locate the range where it may be subject to strong drafts.** Provide adequate clearances between the range and adjacent combustible surfaces. These dimensions must be met for safe use of the range. The location of the electrical outlet and gas piping may be adjusted to meet the following dimensions and clearances.
- For installation in Canada, a free-standing range is not to be installed closer than 4.7 in (12 cm) from any adjacent surface.
- Installations without a hood require 48" minimum to combustibles. A custom hood installation with exposed horizontal combustible surfaces must have an Auto-On feature. Refer to hood installation instructions for specific hood clearances.

CAUTION

This range has been designed to comply with the maximum allowable wood cabinet temperature of 194 °F (90 °C). Make sure the wall covering, countertops, and cabinets around the range can withstand the heat (up to 194 °F [90 °C]) generated by the range. If not, discoloration, delamination, or melting may occur.



* Side clearance above cooking surface to any objects, i.e., wall.

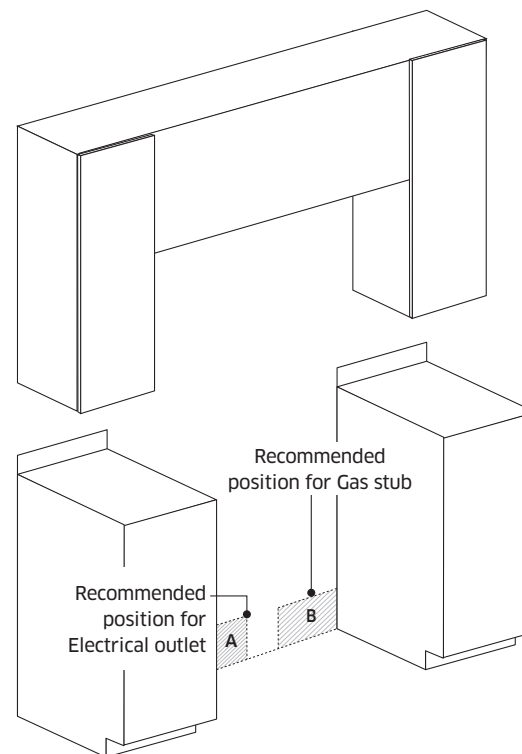
Minimum dimensions

⚠ CAUTION

- If overhead cabinets are installed, a range hood should also be installed and project horizontally a minimum of 5" (12.7 cm) beyond the front of the cabinets. Hood is necessary to dissipate any heat buildup in the overhead cabinets to prevent possibility of fire, personal injury and/or death. The ventilating hood must be constructed of sheet metal not less than 0.0122" thick and installed above the cooktop with a clearance of not less than ¼" between the hood and the underside of the combustible material or metal cabinet. The hood must be at least as wide as the appliance and centered over the appliance. Clearance between the cooking surface and the ventilation hood surface must never be less than 24".
- Exception 1** : Installation of a listed microwave oven or cooking appliance over the cooktop shall conform to the installation manual provided with the appliance.
 - 30" (76.2 cm) minimum clearance between the top of the cooking surface and the bottom of an unprotected wood or metal cabinet; or If 30" (76.2 cm) clearance is not possible, minimum of 24" (61 cm) can be used when the bottom of the wood or metal cabinet is protected by not less than ¼" (0.64 cm) flame-retardant millboard covered with not less than no. 28 MSG sheet steel, 0.015" (0.038 cm) stainless steel, 0.024" (0.061 cm) aluminum, or 0.020" (0.051 cm) copper.
 - 18" (45.7 cm) of minimum clearance between the countertop and the adjacent cabinet bottom.
- Exception 2** : For island installation, maintain 2½" minimum from cutout to back edge of countertop and 4" minimum from cutout to side edges of countertop.

Installation guide

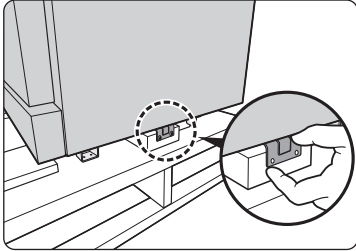
Recommended locations for gas piping and electrical outlets



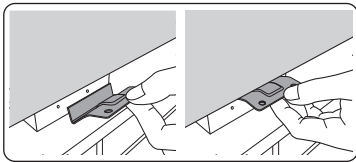
Model	DOP48*960G*
A	Electrical outlet 9 7/8"(W) X 6 7/8"(H) (25.1 cm x 17.5 cm)
B	Gas piping 17 15/16" (W) X 5 3/8"(H) (45.5 cm x 13.8 cm)

Installation requirements

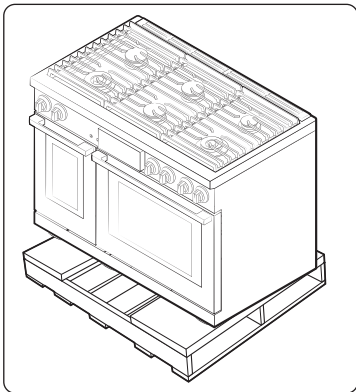
To remove safely from the pallet



1. Remove the screws from the bottom bracket on either side and rear side of the unit.

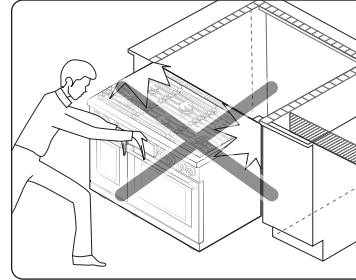


2. Press the bracket on either side to pull out.



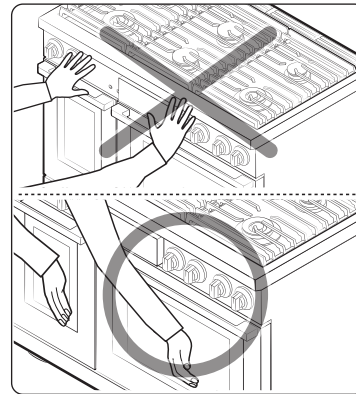
3. Remove pallet and packing material. Use caution not to hold the door handle.

To avoid breakage



⚠ CAUTION

- Please **DO NOT** push the unit strongly when you install. These actions can cause the damage to the unit.



- Hold the upper left/right area of the door (not the door handle) with both hands and push the unit in. Do not grab the door handle.

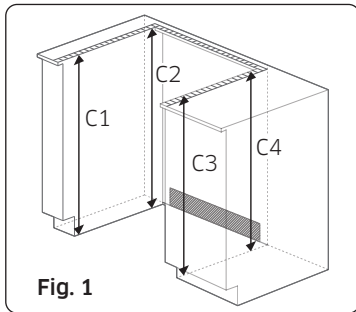


Fig. 1

1. The counter top around the cut-out should be flat and leveled (see hatched area on Fig. 1).
2. Before installing the unit, measure the heights of the two cabinet sides (C1–C4), front and back (See Fig. 1) from the floor to the top of the counter.
3. Level the range using the four leveling legs so that the height from the floor to the top of the cooktop frame is level with a countertop.
4. Slide the unit into the cabinet (**DO NOT PUSH THE UNIT HARD**). Make sure the center of the unit aligns with the center of the cabinet cut-out.

Gas requirements

Provide adequate gas supply

This range is designed to operate at a pressure of 5 in (13 cm) of water column on natural gas or 10 in (25 cm) of water column on LP gas (propane or butane).

Make sure you are supplying your range with the type of gas for which it is designed.

Do not attempt to convert the appliance from the gas specified in this manual to a different gas without consulting the gas supplier.

This range is convertible for use on natural or propane gas. If you decide to use this range on LP gas, conversion must be made by a qualified LP installer before attempting to operate the range.

For proper operation, the pressure of natural gas supplied to the regulator must be between 6 in and 13 in (13 cm and 33 cm) of water column.

For LP gas, the pressure supplied must be between 11 in and 13 in (25 cm and 33 cm) of water column.

When checking for proper operation of the regulator, the inlet pressure must be at least 1 in (2.5 cm) greater than the operating (manifold) pressure as given.

The pressure regulator located at the inlet of the range manifold must remain in the supply line regardless of whether natural or LP gas is being used.

A flexible-metal appliance connector used to connect the range to the gas supply line should have an I.D. of 0.5 in (1.3 cm) and be 5 ft (152 cm) in length for ease of installation. In Canada, flexible connectors must be single-wall metal connectors no longer than 6 ft (183 cm) in length.

Do not kink or damage the flexible metal tubing when moving the range.

Installation requirements

Special gas requirements (gas models sold in Massachusetts)

COMMONWEALTH OF MASSACHUSETTS REQUIREMENTS:

WARNING

- Gas leaks may occur in your system, creating a dangerous situation.
 - Gas leaks may not be detected by smell alone.
 - Gas suppliers recommend you purchase and install a UL-approved gas detector. Gas detector should be installed in accordance with the manufacturers instructions.
- Range must be installed by a qualified plumber or gas fitter by the State of Massachusetts.
- A T-handle manual gas valve MUST be installed in the gas supply line to your range.
- If a flexible gas connector is used to install your range, multiple flexible gas lines must not be connected in series.

Electrical requirements

WARNING

To reduce the risk of fire, electric shock, or personal injury:

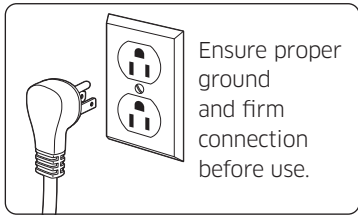
All ranges

- Do not use an extension cord or adapter plug with this range.
- This range must be properly grounded.
- Check with a qualified electrician if you are in doubt as to whether your range is properly grounded.
- Do not modify the plug provided with your range—if it doesn't fit the outlet, have a proper outlet installed by a qualified electrician.
- All wiring and grounding must be done in accordance with local codes or, in the absence of local codes, with the National Electrical Code, ANSI/NFPA No. 70 – Latest Revision (for the U.S.) or the Canadian Electrical Code CSA C22.1 – Latest Revisions and local codes and ordinances.
- Wiring diagram is located on the back of the range. (Inside of the cover back wire)
- This range is equipped with an electronic ignition system that will not operate if plugged into an outlet that is not properly polarized.

Gas models

- All gas models are equipped with a power cord with an equipment-grounding conductor and a grounding plug.
- A 120-Volt, 60-Hz, AC, approved electrical service with a 12.5amp circuit breaker or time-delay fuse is required for all U.S. and Canadian models.
- Check for $\frac{3}{4}$ in (1.9 cm) UL-listed strain relief where the power cord comes out of the range cabinet.
- Do not reuse a power supply cord from an old range or other appliance.
- The power cord electric supply wiring must be retained at the range cabinet with a suitable UL-listed strain relief.
- A time-delay fuse or circuit breaker is also recommended.

Grounding



- All ranges must be grounded for personal safety.
- All gas models have a power cord with an equipment-grounding conductor and a grounding plug.

- The plug must be firmly plugged into a three-prong outlet that is properly installed and grounded in accordance with all local codes and ordinances. In the event of a malfunction or breakdown, grounding will decrease the risk of electrical shock by providing a path for the electric current.
- Do not use a damaged power plug or loose wall outlet.
- Do not use an extension cord or adapter with this appliance.
- Do not, under any circumstances, cut, modify, remove, or otherwise defeat the grounding (third) prong from the power cord. If the plug and the outlet do not match or you have any doubt, have a qualified electrician install the proper outlet.
The customer should have the wall receptacle and circuit checked by a qualified electrician to make sure the receptacle is properly grounded. Ground Fault Circuit Interrupters(GFCIs) are not required or recommended for gas range receptacles.
- **NEVER** connect ground wire to plastic plumbing lines, gas lines, or water pipes.

CAUTION

Failure to follow these instructions can result in death, fire, or electrical shock.

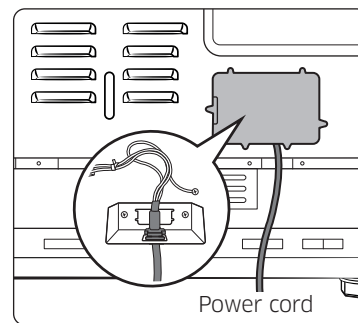
Usage situations where appliance power cord will be disconnected frequently

Do not use an adapter plug in these situations because disconnecting of the power cord places under strain on the adapter and leads to eventual failure of the adapter ground terminal. Where a standard two-prong wall receptacle is encountered, it is the personal responsibility and obligation of the customer to have it replaced with a three-prong (grounding) receptacle by a qualified electrician before using the appliance.

Additional installation requirements for mobile homes

The installation of appliances designed for mobile home installation must conform with the Manufactured Home Construction and Safety Standard, Title 24 CFR, Part 3280 (formerly the Federal Standard for Mobile Home Construction and Safety, Title 24, HUD, Part 280) or, when such standard is not applicable, the Standard for Manufactured Home Installations, latest edition (Manufactured Home Sites, Communities and Set-Ups), ANSI A225.1, latest edition, or with local codes. In Canada, mobile home installation must be in accordance with the current CAN/CSA Z240/MH Mobile Home Installation Code.

Power cord location

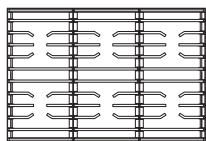


The power cord for this appliance is located on the back of the range, near the bottom midway. The 79 in (200 cm) power cord will come installed on the range and taped to the back for shipping.

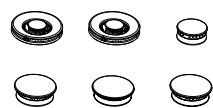
Tools and materials

What's in the box

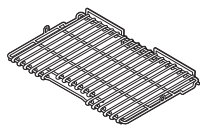
Parts supplied



Grates (3)



Burner heads (6) and
Burner caps(8)



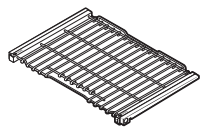
Wire rack (1)



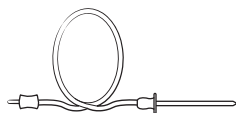
Anti-tip bracket kit



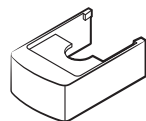
Wok ring (1)



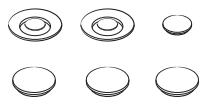
Gliding racks (2)



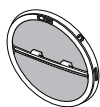
Temp. Probes (2)



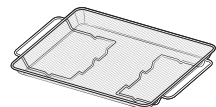
Front leg covers (3)



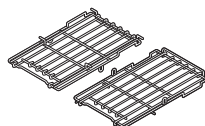
Brass burner caps(8)



Convection filters (3)



Air Fry tray (1)



Small racks (2)

NOTE

- Make sure you have received all of the supplied parts shown above.
- If your range was damaged during shipping or you do not have all of the supplied parts, contact your local retailer.

Parts needed



Gas line shut-off valve



Flexible metal appliance
connector 1/2" (ID) x 5 ft



Flare union adapter 3/4" or
1/2" (NPT) x 1/2" (ID)



Flare union adapter
1/2" (NPT) x 1/2" (ID)



135-degree elbow
(optional)



Lag bolt or 1/2" (OD)
sleeve anchor

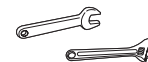
Tools needed



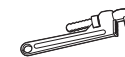
Flat-blade
screwdriver



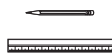
Phillips
screwdriver



Open-end or
adjustable wrench



Pipe wrench (2)



Pencil and ruler



Level



Pipe joint
compound



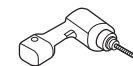
Nut driver



Utility knife



Soapy water
solution



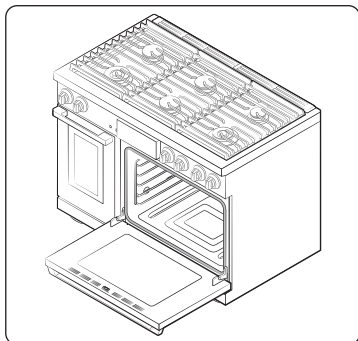
Drill with
1/8" or 3/16" bit

Installation instructions

Installing your gas range

NOTE

- **IMPORTANT:** Please read the following instructions, as well as the Important Safety Instructions section at the front of this manual, completely and carefully BEFORE installing and/or operating the gas range. Improper installation, adjustment, service, or maintenance can cause personal injury or property damage.



- To order parts or accessories, contact your local retailer or refer to the last page.
- To ensure proper installation, we strongly recommend that you hire a professional installer.

Step 1. Unpack the range

Remove all packaging materials. Failure to remove packaging materials could result in damage to the appliance. Inventory all loose parts against the 'Parts supplied' overview on page 18. Check for shipping damage and/or missing parts. Any damage and/or missing parts should be reported to your local retailer.

Step 2. Connect the range to gas supply

Shut off the main gas supply valve before disconnecting the old range and leave it off until the new hookup has been completed. Don't forget to relight the pilot on other gas appliances when you turn the gas back on.

Because hard piping restricts movement of the range, the use of a CSA International-certified flexible metal appliance connector is recommended unless local codes require a hard-piped connection.

CAUTION

- If the information in this manual is not followed exactly, a fire or explosion may result, causing death, personal injury, or property damage.
- Do not store or use gasoline or other flammable vapors and liquids in the vicinity of this or any other appliance.
- **WHAT TO DO IF YOU SMELL GAS:**
 - DO NOT light a match, candle, or cigarette.
 - DO NOT try to light any appliance.
 - DO NOT touch any electrical switch.
 - DO NOT use any phone in your building.
 - Clear the room, building, or area of all occupants.
 - Immediately call your gas supplier from a neighbor's phone. Follow the gas supplier's instructions.
 - If you cannot reach your gas supplier, call the fire department.
- Installation and service must be performed by a qualified installer, service agency, or gas supplier.
- Never use an old connector when installing a new range. If the hard-piping method is used, you must carefully align the pipe; the range cannot be moved after the connection is made.
- To prevent gas leaks, apply pipe-joint compound or wrap pipe-thread tape with Teflon on all male (external) pipe threads.

Installation instructions

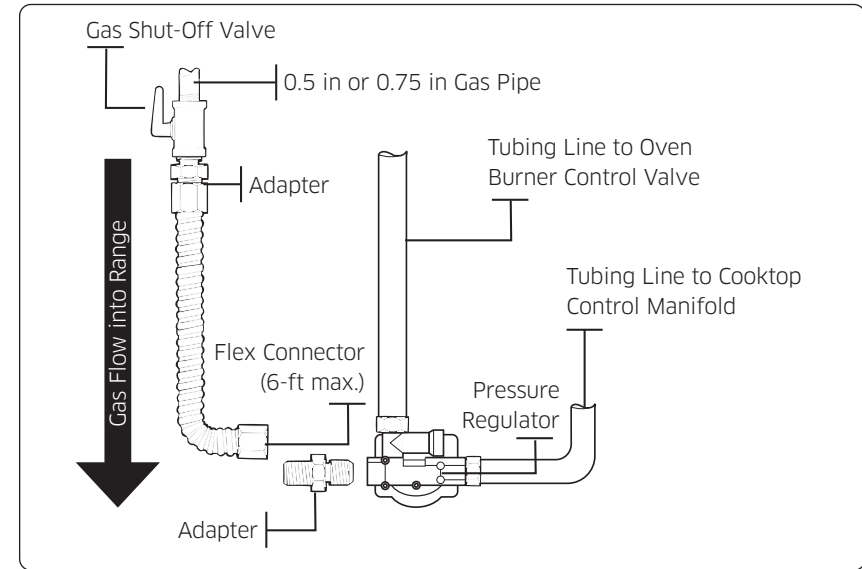
1. Install a manual gas line shut-off valve in the gas line in an easily accessed location outside of the range.
Make sure everyone operating the range knows where and how to shut off the gas supply to the range.
2. Install male 0.5 in (1.3 cm) flare union adapter to the 0.5 in (1.3 cm) NPT internal thread at the regulator inlet. Use a backup wrench on the regulator fitting to avoid damage.
When installing the range from the front, remove the 90° elbow for easier installation.
3. Install male 0.5 in (1.3 cm) or 0.75 in (1.9 cm) flare union adapter to the NPT internal thread of the manual shut-off valve, taking care to back up the shut-off valve to keep it from turning.
4. Connect flexible metal appliance connector to the adapter on the range. Position range to permit connection at the shut-off valve.
5. When all connections have been made, make sure all range controls are in the off position and turn on the main gas supply valve. Use a liquid leak detector at all joints and connections to check for leaks in the system.

⚠ WARNING

- Do not use a flame to check for gas leaks to prevent death, personal injury, explosion, and/or fire hazard.
- When using test pressures greater than ½ psig to pressure-test the gas supply system of the residence, disconnect the range and individual shut-off valve from the gas supply piping. When using test pressures of ½ psig or less to test the gas supply system, simply isolate the range from the gas supply system by closing the individual shut-off valve.
- Do not exceed 25 lbs-ft of torque when making gas line connections. Overtightening may crack the pressure regulator resulting in gas leak.

Flexible connector hookup

Installer: Inform the consumer of the location of the gas shut-off valve.



📖 NOTE

- If your area requires a rigid pipe hookup, contact a qualified installer, service agency, or gas supplier.
- The gas shut-off valve should be installed in an accessible location in the gas piping, external to the appliance, for the purpose of turning on or shutting off the gas to the appliance.

Step 3. Convert to lp gas (optional)

All new gas ranges are shipped from the factory set up to use natural gas.

This Dacor gas range can be converted to use LP gas.

(Contact a qualified service technician.)

The conversion process should only be performed by a qualified LP gas installer. Conversion instructions and LP orifices will be supplied with the LP conversion kit. The conversion to LP requires all burner orifices to be changed (6 surface burners and 2 oven burners).

In addition, the nozzle on the gas pressure regulator needs to be reversed. All replaced orifices must be left with the consumer, including the instructions and retrofit sizes and orifice indication.

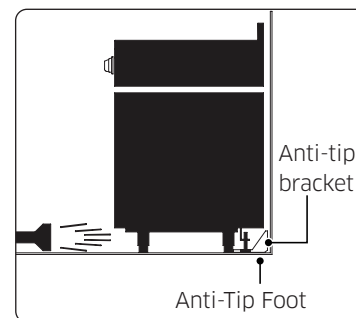
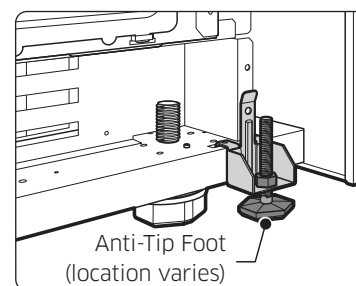
BURNER ORIFICE SIZES AND OUTPUT RATINGS (LP Gas [Propane] 10 in WCP)		
Burner Location	BTU Rate	Orifice Size [mm]
LF	16,000	In 0.46 / Out 0.78*2
LR	15,000	1.04 / 0.50
RF	16,000	In 0.46 / Out 0.78*2
RR	9,500	0.78 / 0.50
CF	15,000	1.04 / 0.50
CR	15,000	1.04 / 0.50
Broil	36" : 14,500, 12" : 7,000	36" : 0.79*2, 12" : 0.79
Bake	36" : 23,000, 12" : 12,500	36" : 1.40, 12" : 1.04

BURNER ORIFICE SIZES AND OUTPUT RATINGS (Natural Gas 5 in WCP)		
Burner Location	BTU Rate	Orifice Size [mm]
LF	22,000	In 0.85 / Out 1.36*2
LR	16,000	1.60 / 0.68
RF	22,000	In 0.85 / Out 1.36*2
RR	9,000	1.20 / 0.61
CF	16,000	1.60 / 0.68
CR	16,000	1.60 / 0.68
Broil	36" : 18,000, 12" : 9,000	36" : 1.30*2, 12" : 1.30
Bake	36" : 25,000, 12" : 14,000	36" : 2.43, 12" : 1.60

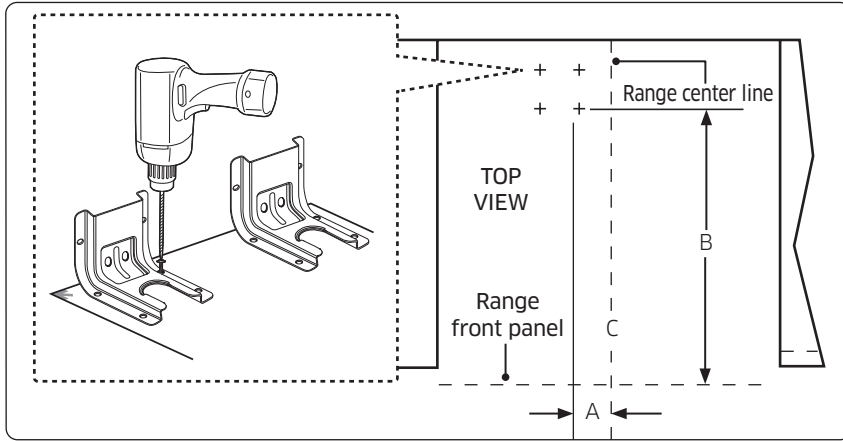
Step 4. Install the anti-tip device

⚠ WARNING

- To reduce the risk of tipping, the appliance must be secured by properly installing the anti-tip device packed with the appliance.
- All ranges can tip, resulting in personal injury.
- Tipping ranges can cause burns from spills, personal injury, and/or death.
- To prevent accidental tipping, install and check the anti-tip bracket.

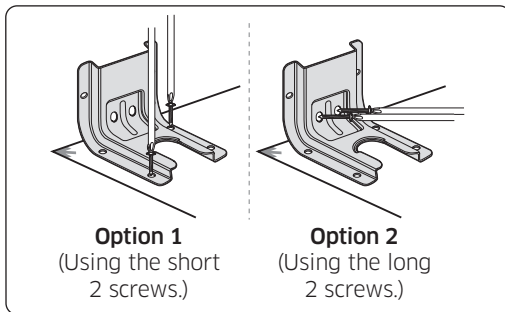


Installation instructions

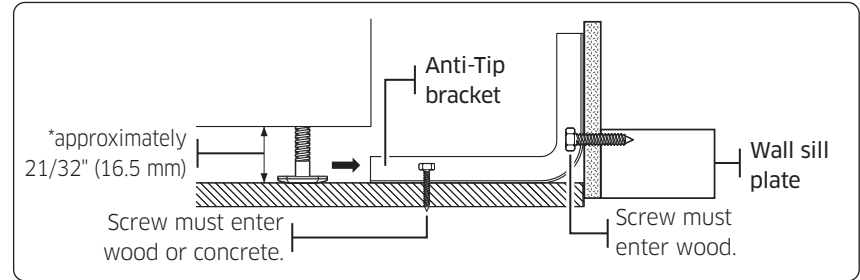


1. If bracket is to be mounted to wood floor, use a drill with a 1/8" drill bit to drill the four holes.
If bracket is to be mounted to the cement or ceramic floor, use a drill with a 3/16" drill bit to drill the four holes.

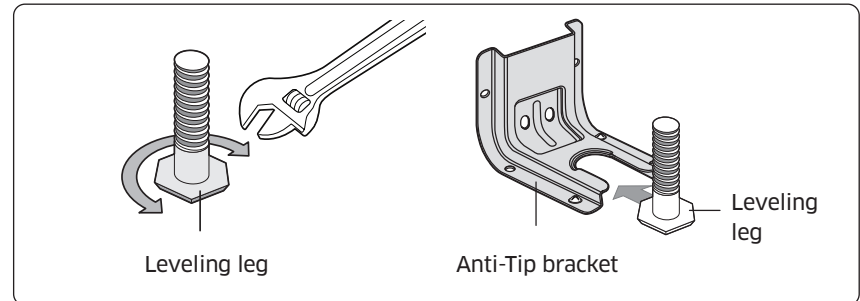
ANTI-TIP BRACKET PLACEMENT	
Dim.	DOP48*960**
A	6 1/4" (15.9 cm)
B	23 7/8" (60.7 cm)



2. Line up the holes on anti-tip bracket with the holes in floor or the Wall plate as shown in Options 1 and 2. Secure the bracket in place with a Phillips Screwdriver and using two of the four screws provided.



3. Level range by adjusting the leveling legs with a wrench. Use a spirit level to check your adjustments. Plug the power supply cord into the grounded outlet. Slide range back into position. To check visually that rear leveling leg is inserted into bracket, grasp the top rear edge of the range and carefully attempt to tilt it forward.



NOTE

To install the Anti-tip bracket, release the leveling leg using pipe wrench because Loctite is applied on Bolt for vibration unlocking. A minimum clearance of 1 3/8" (35.1 mm) is required between the range bottom and the kitchen floor.

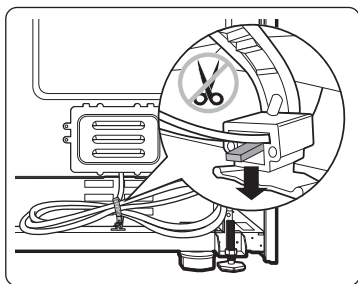
To check if the bracket is installed and engaged properly, remove the kick panel and look underneath the range to see that the leveling leg is engaged in the bracket. Carefully tip the range forward. The bracket should stop the range within 4 inches (10.2 cm) of tipping. If it does not, the bracket must be reinstalled.

If the range is pulled from the wall for any reason, always repeat this procedure to verify the range is properly secured by the anti-tip bracket. Never completely remove the leveling legs or the range will not be secured to the anti-tip device properly.

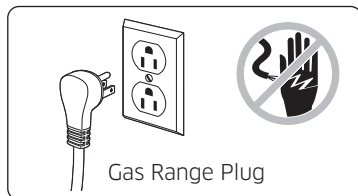
Step 5. Plug in and place

⚠ WARNING

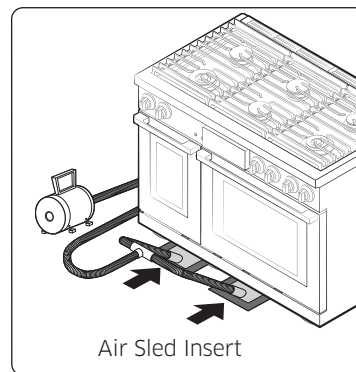
- **BEFORE OPERATING OR TESTING, follow the grounding requirements on pages 16-17 in this manual. Improper connection of the grounding plug can result in a risk of electric shock.**
- **All gas ranges come with a power cord.** The power cord is connected to the rear of the range. Please review **Electrical requirements** on pages 16-17.
- All U.S. and Canadian models are produced with a 3-wire, 120-volt, 60-Hertz electrical system. The entire system, including the power cord, is preinstalled and prewired at the factory. Altering any part of this system may result in a short or overload.



1. The cable tie at the rear of the unit features a lever that unties the power cable. To release the tie, do not cut it loose. Instead, use the lever to release the tie.
2. Plug in the power cord. Make sure the outlet meets local or national electrical codes as referenced on pages 16-17.
3. Slide the range into place.
4. Check the gas supply line to make sure it did not get damaged and it stayed connected during positioning.
5. Check to make sure the back leg of the range has slid into the anti-tip bracket. Carefully tip the range forward to ensure that the anti-tip bracket engages the back brace and prevents tip-over.



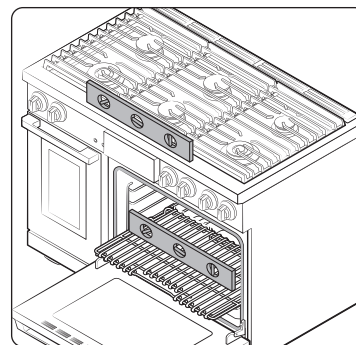
Step 6. Moving and placing the range



1. Due to the weight, heavy equipment movers such as Air Sled should be used to move this unit. The weight must be supported uniformly across the bottom.
2. After transporting the range by Air Sled where you want, the range can be leveled by adjusting the legs with a wrench while Air Sled is supported. Using a wrench, level the range by turning the front leveling legs in or out as necessary. Counterclockwise shortens the leg and lowers the range. Clockwise lengthens the leg and raises the range.

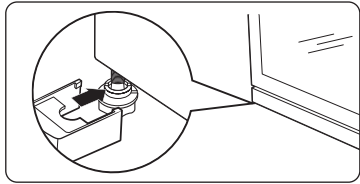
📖 NOTE

Adjust the leveling legs only as far as necessary to level the range. Extending the leveling legs more than necessary or removing legs can cause the range to be unstable.



3. If range is next to or between cabinets, make sure the cooktop (without the surface burner grates) is level with the countertops.
4. Position an oven rack in the center rack position.
5. Check the level of the range with a carpenter level using the two positions shown at right.
6. After the range becomes level, Use Air Sled to move the range away from the wall so that the anti-tip bracket can be installed.

Installation instructions



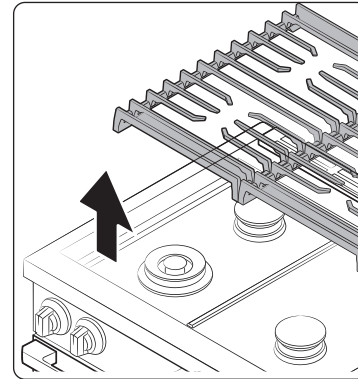
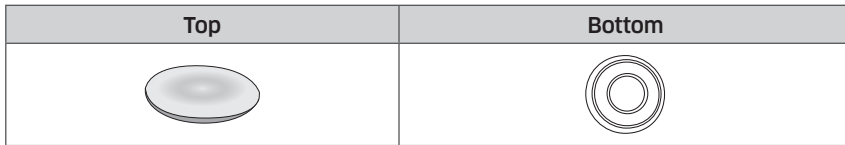
7. After installing and leveling the range, carefully remove Air Sled and install front leg covers (right, center and left).

Step 7. Assemble the surface burners

⚠ CAUTION

Do not operate the surface burners without all burner parts in place.

1. Position surface burner heads on top of the surface burner manifolds as shown in the picture on the right. The electrodes will fit into the slot in the bottom of the heads. Make sure the surface burner heads are flat and parallel with the cooktop.
2. Place the matching size caps on top of each surface burner head.



3. Place the left and right surface burner grates on the cooktop. The edges of the grates should match up with the edges of the cooktop.

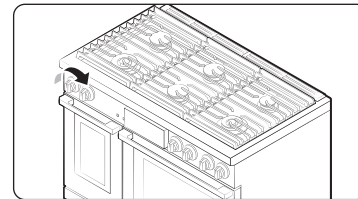
📖 NOTE

- Grates should be placed on its own position because they are not interchangeable.
- You can recognize the right position of the grates by checking the bottom side of each. Look for engraved position on right and left grate, **RIGHT FRONT** and **LEFT FRONT** respectively.
- The grates are heavy. Be careful while handling the grates.

Step 8. Check the ignition of surface burners and oven burners

Check the operation of all cooktop and oven burners after the range has been installed and assembled, gas supply lines have been carefully checked for leaks, and electrical power cord has been plugged in. All surface and oven burners have electronic ignition.

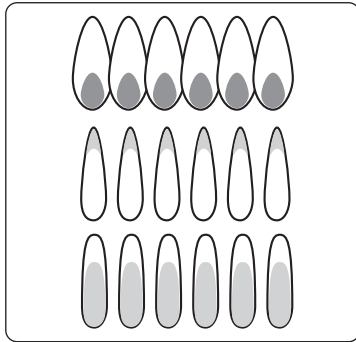
To turn on a surface burner:



1. Push in the control knob, and then turn it to the **Lite** position. You will hear a **'clicking'** sound indicating the electronic ignition system is working properly.
2. Turn the control knob to adjust the flame level.

Checking the flame quality:

All combustion flames need to be visually checked to determine their flame quality.



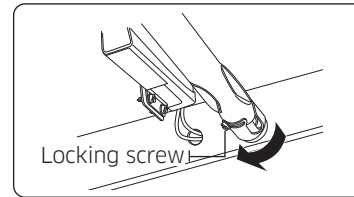
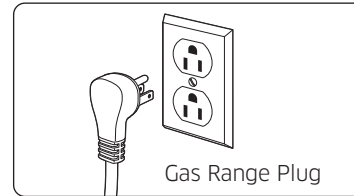
1. **Prevailing soft blue flames**—Normal for natural gas operation.
2. **Yellow tips on outer cones**—Normal for LP gas operation.
3. **Yellow flames**—Abnormal for any gas operation; call for service.

NOTE

If burner flame looks like 3, the range should not be used until it is serviced. Call Dacor for service. Normal burner flames shall look like 1 or 2, depending on the gas type you use.

Step 9. Final installation checklist

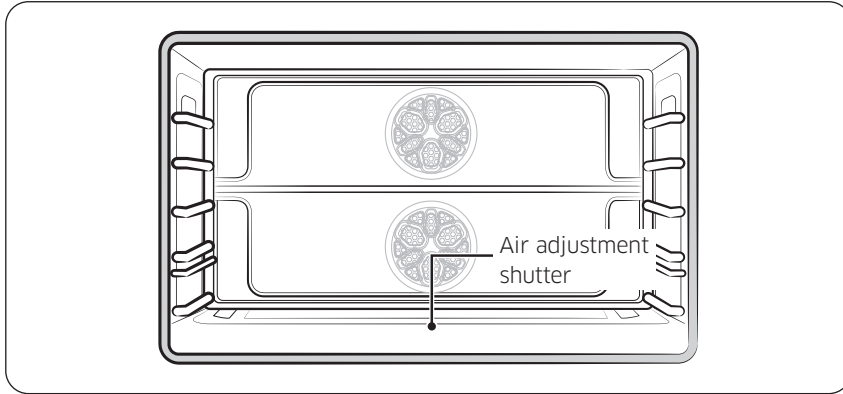
You have just completed installing your range. Make sure all controls are in the **Off** position and the flow of ventilation air to the range is unobstructed. The following is a checklist to confirm your range is safely installed and ready for operation.



- Gas line has been properly connected to the range. The gas has been turned on. All connections have been checked for leaks.
- Range is plugged into the properly grounded electrical receptacle.
- Approved anti-tip bracket is properly installed and engaged with the range.
- Range is leveled and is firmly sitting on a solid, level floor.
- Gas surface burners have been properly assembled.
- All burners have been tested for proper operation.
- FOR INSTALLER ONLY—Check and/or adjust the broil and oven burner flames as described in this manual.

Installation instructions

Adjusting the oven burner air adjustment shutters



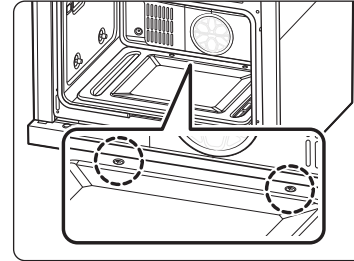
All oven burners have an air adjustment shutter. The purpose of the shutter is to regulate the flow of air to the flames. Properly adjusted flames should burn steadily with approximately 1 in of blue cone. The flames should never extend past the edge of the burner baffles. Even though these are preset at the factory, they should be checked and, if needed, adjusted periodically to ensure efficient operation.

To check and adjust the oven burner air adjustment shutters:

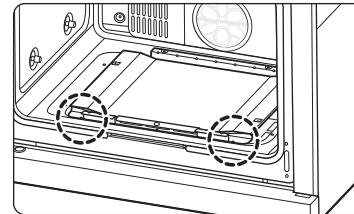
1. Open the oven door.
2. Remove the oven racks.
3. Remove the oven floor.
4. Turn the mode selector knob from **Off** to the **Bake** position, and then rotate the temperature selector knob to set the temperature from the **Off** position.
5. After the oven has lit, visually check the flames coming out of the upper and lower burners. If adjustment is needed, carefully adjust the air adjustment shutters.

The shutters are located at the base of the burner manifolds near the back oven wall.

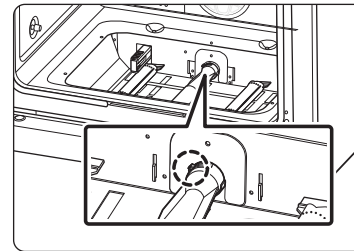
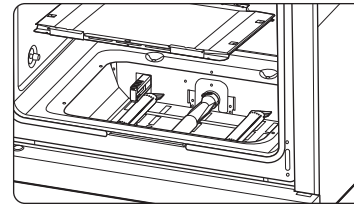
Adjustment air shutter (Bake Burner)



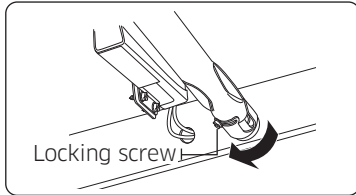
1. Remove 2 screws of Cavity Floor and remove Cavity Floor.



2. Remove 2 screws of Bracket Base and remove Bracket Base.



3. Loose Locking screw of Bake Burner and, adjust air shutter.



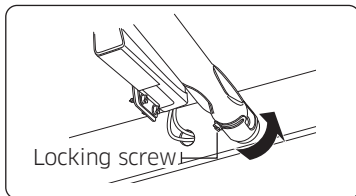
To adjust the shutter, loosen the locking screw and rotate the shutter towards the open or closed position as needed. If flames are lifting off the burner ports, gradually reduce the air shutter opening until the flames are stabilized.

If flames are too yellow and/or too large, gradually increase the air shutter opening until the flames have approximately a 1 in blue cone.

NOTE

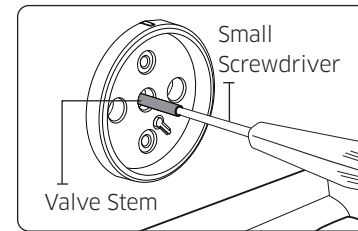
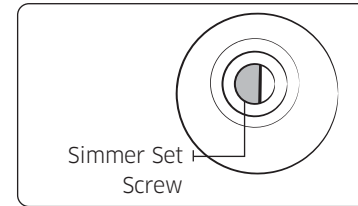
If the range is set up for natural gas, the flames should burn with minimal yellow tipping. If the range is set up for LP gas, small yellow tips at the end of the cones are normal.

After the flames are adjusted properly, shut off the oven, retighten the locking screws, replace the oven bottom and racks, and close the oven door.



To adjust flame low setting

Identify which burner is exhibiting too high or too low simmer flame size, adjust as necessary by following steps below:



1. Rotate a knob to **Lo** position and remove the knob from the valve stem while the flame is lit.
2. Carefully push the screw driver into the stem of the valve, until it hits the simmer set screw. Make sure the screwdriver flathead is seated into the set screw groove.
3. Rotate valve set screw clockwise to decrease **Lo** setting flame output, or rotate set screw counter clockwise to increase **Lo** setting flame output.

WARNING

1. Do not completely remove the valve set screw from the valve stem. The valve set screw is an integral part of the gas valve assembly. Removing the valve set screw will cause gas to leak.
2. After adjusting the valve set screw, inspect the assembly for gas leaks.

dacor



DG68-01512A-00

Dacor • Phone: 833-353-5483(USA), 844-509-4659(CANADA) • www.dacor.com

dacor

Manual de instalación

Estufa Pro a gas

DOP48*960G*

⚠ ADVERTENCIA

Nunca descuide la sección de cocción de la superficie superior de este artefacto

- El ignorar esta advertencia podría provocar un incendio, una explosión o un peligro de quemadura que podría ocasionar daños materiales, lesiones o la muerte.
- Si se produce un incendio, manténgase alejado del artefacto y llame a los bomberos de inmediato.

NO INTENTE APAGAR UN INCENDIO DE ACEITE O GRASA CON AGUA.

ADVERTENCIA: No seguir las instrucciones de este manual con exactitud puede provocar un incendio o una explosión que podría ocasionar daños materiales, lesiones o la muerte.

- **NO** guarde ni utilice gasolina u otros productos inflamables cerca de este artefacto.
- **NO** instale este producto con una campana de cortina de aire ni otra campana de estufa que funcione soplando aire hacia abajo sobre la placa de cocción. Este flujo de aire puede interferir con el funcionamiento de los quemadores de gas, lo que causaría peligro de incendio o explosión.
- **QUÉ HACER SI HAY OLOR A GAS:**
 - **NO** encienda ningún otro artefacto.
 - **NO** toque ningún interruptor eléctrico.
 - **NO** utilice ningún teléfono dentro del edificio.
 - Llame inmediatamente al proveedor de gas desde el teléfono de un vecino. Siga las instrucciones del proveedor de gas.
 - Si no puede comunicarse con el proveedor de gas, llame al departamento de bomberos.
- La instalación y el servicio técnico deben ser realizados por el proveedor de gas, o un instalador o agencia de servicio técnico calificados.

DISPOSITIVO ANTINCLINACIÓN



⚠ ADVERTENCIA

TODAS LAS ESTUFAS PUEDEN INCLINARSE Y PROVOCAR LESIONES.



LA INCLINACIÓN DE LAS ESTUFAS PUEDE CAUSAR QUEMADURAS POR DERRAMES, LESIONES O LA MUERTE. INSTALE Y REVISE LA MÉNSULA ANTINCLINACIÓN SIGUIENDO LAS INSTRUCCIONES Y LA PLANTILLA QUE VIENEN CON ELLA.

- Para evitar que la estufa se incline accidentalmente, fije un dispositivo antinclinación aprobado al piso (consulte la sección “Instalación de la ménsula antinclinación” en las Instrucciones de instalación). Intente inclinar la estufa hacia adelante con cuidado, para verificar que la instalación se haya realizado correctamente. El dispositivo antinclinación debería sujetarla y evitar que se incline.
- Si la estufa se aleja de la pared por algún motivo, asegúrese de unir nuevamente el dispositivo antinclinación una vez que la estufa haya vuelto a su lugar.
- Siga las instrucciones de instalación del Manual de instalación. No seguir las instrucciones puede causar la muerte, lesiones graves y daños materiales.
- **NO se pare, se siente o se apoye** en la puerta o el cajón para evitar que la estufa se incline accidentalmente.

Contenido

Antes de comenzar	4
Acerca de este manual	4
Información de seguridad importante	4
Lea todas las instrucciones antes de usar este artefacto	4
Símbolos usados en este manual	4
Advertencia de la Propuesta 65 de California	5
Mancomunidad de Massachusetts	5
Seguridad general	5
Seguridad contra incendios	6
Seguridad del gas	6
Seguridad eléctrica y de conexión a tierra	7
Seguridad de la instalación	7
Seguridad de la ubicación	8
Seguridad de la placa de cocción	8
Seguridad del horno	9
Seguridad del horno autolimpiante	10
Componentes de la estufa a gas	10
Especificaciones de estufa a gas	10
Requisitos de instalación	12
Requisitos de ubicación	12
Guía de instalación	13
Para retirar del palé de manera segura	14
Para evitar roturas	14
Requisitos de gas	15
Requisitos especiales para el gas (modelos a gas vendidos en Massachusetts)	16
Requisitos eléctricos	16

Herramientas y materiales	18
Contenido de la caja	18
Instrucciones de instalación	19
Instalar su estufa a gas	19
Ajustar los obturadores de regulación del aire del quemador del horno	26

Antes de comenzar

Acerca de este manual

Lea estas instrucciones en su totalidad y cuidadosamente.

Nota importante para el instalador

- Lea todas las instrucciones de este instructivo antes de proceder con la instalación de la estufa.
- Quite todos los materiales de empaquetado de los compartimientos del horno antes de conectar el suministro eléctrico y de gas a la estufa.
- Cumpla todos los códigos y ordenanzas exigidos por las autoridades pertinentes.
- Asegúrese de dejar estas instrucciones al usuario.
- La instalación de este electrodoméstico requiere habilidades mecánicas básicas.
- El instalador es responsable de llevar a cabo una instalación adecuada.
- La falla del producto debido a la instalación incorrecta no está cubierta por la garantía.

Nota importante para el usuario

Conserve estas instrucciones con el manual del usuario para futura referencia.

- Como cualquier artefacto que genera calor con su uso, debe seguir ciertas precauciones de seguridad.
- Asegúrese de que un instalador o técnico de servicio calificado haya instalado y conectado a tierra su estufa correctamente.
- Asegúrese de que los revestimientos de las paredes alrededor de la estufa puedan soportar el calor que genera.
- Debe haber un espacio entre los muebles de almacenamiento y los quemadores superficiales de, al menos, 30 pulgadas (76,2 cm).

Nota importante para el técnico

El diagrama eléctrico se encuentra en un sobre en la parte trasera de la estufa.

Información de seguridad importante

Lea todas las instrucciones antes de usar este artefacto

- Todos los equipos de gas y eléctricos con piezas móviles pueden ser peligrosos. Lea las instrucciones de seguridad importantes para el artefacto en este manual. Se deben seguir las instrucciones para minimizar el riesgo de lesiones, muerte o daños materiales.
- Guarde este manual. No lo tire.

Símbolos usados en este manual

ADVERTENCIA

Peligros o prácticas poco seguras que pueden provocar lesiones personales graves o la muerte.

PRECAUCIÓN

Peligros o prácticas inseguras que pueden provocar descargas eléctricas, lesiones o daños materiales

NOTA

Consejos e instrucciones útiles

Los siguientes íconos y símbolos de advertencia son para evitar que usted y otras personas sufran daños. Sígalos de forma explícita. Cuando haya leído esta sección, guárdela en un lugar seguro para futuras consultas.

Advertencia de la Propuesta 65 de California

⚠ ADVERTENCIA

Cáncer y daño reproductivo - www.P65Warnings.ca.gov.

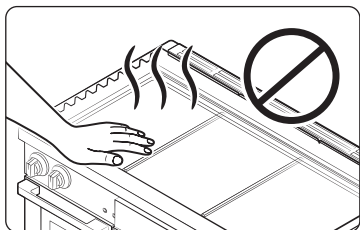
Mancomunidad de Massachusetts

Este producto debe ser instalado por un plomero con licencia o un gasista matriculado o con licencia del estado de Massachusetts. Cuando se utilicen válvulas de bola para el cierre del gas, se debe usar una manija en forma de "T". No se deben conectar varios conductos flexibles de gas en serie.

Seguridad general

⚠ ADVERTENCIA

Para reducir el riesgo de incendio, descargas eléctricas, lesiones y muerte, respete estas precauciones.



- **No toque** ninguna pieza de la estufa, incluidos los quemadores del horno, los quemadores superficiales y las superficies interiores mientras cocina o inmediatamente después de haberlo hecho.
- **Conozca** la ubicación de la válvula de cierre de gas y sepa cómo cerrarla.
- **Asegúrese de** que el **dispositivo antiinclinación** esté bien instalado en la estufa. Consulte las instrucciones de instalación para obtener más información.
- **No permita que los niños se acerquen ni se suban a la estufa, ni que se metan dentro de ella.** No les permita jugar con el dispositivo ni con cualquiera de sus piezas. Tampoco deje a los niños sin supervisión en un área donde se esté usando la estufa. Para la seguridad de los niños, se recomienda usar la función de traba de controles y puerta.

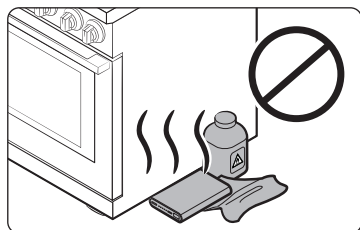
- **Retire** todos los materiales de embalaje del dispositivo para evitar la ignición. Mantenga todos los materiales de embalaje fuera del alcance de los niños. Deseche los materiales de embalaje de forma adecuada después de desembalar la estufa.
- **No guarde** objetos que les puedan resultar interesantes a los niños sobre la placa de cocción ni en el protector trasero de la estufa. Si los niños trepan a la estufa para alcanzar estos objetos, esto podría dar lugar a heridas graves o la muerte.
- **No opere** la estufa si tiene alguna parte dañada, funciona mal o le faltan piezas.
- **No utilice** la estufa para calentar el ambiente. Debe usarse solo para cocinar.
- **No utilice** limpiadores ni cubiertas de horno en ninguna parte del horno.
- **Utilice** únicamente agarradores aislantes secos.
- **No utilice** la estufa para calentar comida en envases cerrados.
- **No golpee** el cristal del horno.
- Cuando se deshaga de la estufa, **corte** el cable de alimentación y **quite** la puerta.
- **Desenchufe o desconecte** la energía eléctrica antes de realizar el servicio técnico.
- **Asegúrese** de que toda la carne roja y de ave se cocine completamente. La carne roja siempre se debe cocinar a una temperatura interna de 160 °F (71 °C). La carne de ave siempre se debe cocinar a una temperatura interna de 180 °F (82 °C).

Información de seguridad importante

Seguridad contra incendios

⚠ ADVERTENCIA

Para reducir el riesgo de incendio, descargas eléctricas, lesiones y muerte, respete estas precauciones.



- **No guarde, coloque o use** materiales inflamables o combustibles como carbón, papel, plástico, agarradores aislantes, revestimientos, cortinas, gasolina ni otros líquidos o vapores inflamables cerca de la estufa ni dentro de ella.
- **No use** prendas amplias o colgantes mientras utiliza la estufa.

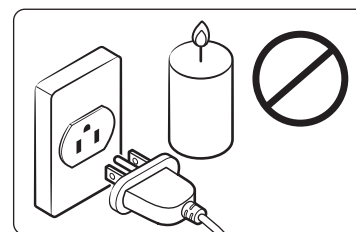
- Para evitar la acumulación de grasa, **limpie regularmente** las ventilaciones.
- **No permita** que los agarradores aislantes u otros materiales inflamables toquen un elemento caliente. No utilice una toalla ni otra tela voluminosa como agarrador aislante.
- **No utilice** agua para apagar un incendio provocado por grasa. Para apagar un incendio provocado por grasa, apague el quemador y extinga el incendio con una tapa bien ajustada o use un extintor multipropósito de productos químicos secos o de espuma.
- Si ocurriera un incendio provocado por grasa en el horno, **apáguelo** girando la perilla de selección de modo a la posición **Off**. Mantenga el horno cerrado hasta que se extinga el fuego. Si fuera necesario, **utilice** un extintor multipropósito de productos químicos secos o de espuma.
- **No caliente** comida en recipientes cerrados; la presión puede causar que el recipiente estalle y provoque lesiones.

Seguridad del gas

⚠ ADVERTENCIA

Para reducir el riesgo de incendio, descargas eléctricas, lesiones y muerte, respete estas precauciones.

Si hay olor a gas:



- **Cierre la válvula** y no use la estufa.
- **No prenda** fósforos, velas o cigarrillos.
- **No encienda** artefactos a gas o eléctricos.
- **No toque** ningún interruptor eléctrico ni enchufe un cable de alimentación a un tomacorriente.
- **No utilice** ningún teléfono dentro del edificio.
- **Evacúe** la habitación, el edificio o el área.
- **Llame inmediatamente** al proveedor de gas desde el teléfono de un vecino. Siga las instrucciones del proveedor de gas.
- Si no puede comunicarse con el proveedor de gas, llame al departamento de bomberos.

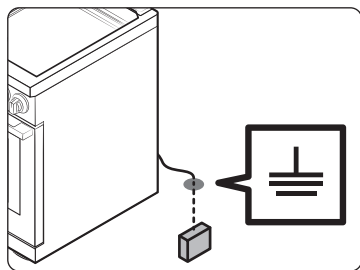
Verificación de pérdidas de gas

La prueba de pérdidas del artefacto debe realizarse de acuerdo con las instrucciones del fabricante. **No utilice** una llama para verificar si hay pérdidas de gas. Utilice un cepillo para esparcir una solución de agua jabonosa alrededor del área en cuestión. Si hay una pérdida de gas, verá pequeñas burbujas en la solución jabonosa en el punto de fuga.

Seguridad eléctrica y de conexión a tierra

⚠ ADVERTENCIA

Para reducir el riesgo de incendio, descargas eléctricas, lesiones y muerte, respete estas precauciones.



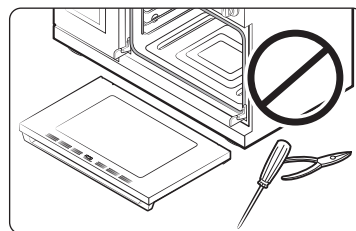
- Enchufe el artefacto a un tomacorriente de conexión a tierra de tres clavijas.
 - **No retire** la clavija de conexión a tierra.
 - **No utilice** un adaptador ni un alargue.
 - **No utilice** un enchufe ni cable de alimentación dañados ni un tomacorriente flojo.
 - **No modifique** el enchufe, el cable de alimentación ni el tomacorriente.
- **No coloque** un fusible en el circuito neutral o de conexión a tierra.
 - Para esta estufa, utilice un circuito eléctrico dedicado de CA, 120 voltios, 60 Hz y 12.5 amperes equipado con fusibles. Se recomienda un fusible de retardo o un disyuntor. No enchufe más de un artefacto en este circuito.
 - **No conecte** el cable a tierra a cañerías de tuberías de plástico, de gas o de agua caliente.
 - Esta estufa **debe estar conectada a tierra**. En caso de que funcione mal o se averíe, la conexión a tierra reduce el riesgo de descarga eléctrica al proporcionar una vía de escape para la corriente eléctrica. Esta estufa está equipada con un cable que tiene un enchufe de conexión a tierra. El enchufe debe estar conectado firmemente a un tomacorriente bien instalado y conectado a tierra según los códigos y ordenanzas locales. Si no está seguro de que el tomacorriente esté conectado correctamente a tierra, un electricista matriculado debe verificarlo.
 - La estufa incluye un enchufe de conexión a tierra de tres clavijas. Este cable debe enchufarse a un tomacorriente de conexión a tierra de tres clavijas, de acuerdo con los códigos y las ordenanzas locales. Si los códigos permiten utilizar un cable de conexión a tierra separado, recomendamos que un electricista calificado determine la vía adecuada para este cable a tierra.

- El servicio eléctrico de la estufa debe ajustarse a los códigos locales. A excepción de los códigos locales, debe cumplir con la versión más reciente de ANSI/NFPA Nro. 70 (para los EE. UU.) o con el Código Eléctrico de Canadá CSA C22.1 o su versión más reciente.
- Es responsabilidad personal del propietario de la estufa proporcionar el servicio eléctrico correcto.

Seguridad de la instalación

⚠ ADVERTENCIA

Para reducir el riesgo de incendio, descargas eléctricas, lesiones y muerte, respete estas precauciones.



Un **instalador calificado** debe instalar y conectar a tierra correctamente su estufa, según las instrucciones de instalación. Los ajustes y el servicio técnico los debe realizar únicamente un instalador de estufas a gas o técnico de servicio calificado.

- **No intente** reparar, modificar ni reemplazar la estufa o alguna de sus piezas, excepto que se recomiende específicamente en este manual. Todos los otros servicios técnicos los debe realizar un técnico de servicio calificado.
- Siempre utilice conectores flexibles nuevos para instalar un artefacto a gas. **No utilice** conectores flexibles viejos.
- **Asegúrese de** que el dispositivo antiinclinación esté bien instalado en la estufa. Consulte las instrucciones de instalación para obtener más información.
- Debido al tamaño y peso de la estufa, necesita **dos personas o más** para moverla.
- **Retire** toda la cinta y el empaquetado.
- **Retire** todos los accesorios de la placa de cocción y el horno. Las parrillas son pesadas. Tenga cuidado al manipularlas.
- **Asegúrese** de que no se suelten piezas durante el transporte.

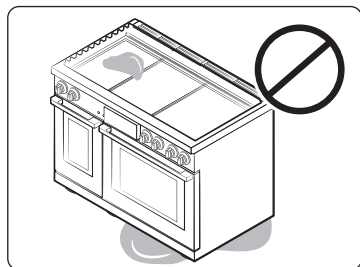
Información de seguridad importante

- **Asegúrese** de que un técnico de servicio o instalador calificado para el tipo de gas (natural o LP) que utilizará haya instalado y ajustado correctamente su estufa. Para que su estufa utilice gas LP, el instalador debe sustituir los 6 orificios de los quemadores superficiales y los 2 orificios del horno por el juego de orificios LP suministrado, e invertir el adaptador GPR. Estos ajustes los debe realizar un técnico de servicio calificado conforme a las instrucciones del fabricante y todos los códigos y requisitos de la autoridad competente. La agencia calificada que realice este trabajo asume la responsabilidad por la conversión del gas.
- La instalación de esta estufa debe realizarse conforme a los códigos locales o, en su ausencia, a la última edición del Código Nacional de Gas de Combustión, ANSI Z223.1/NFPA.54. En Canadá, la instalación debe realizarse conforme al Código Nacional de Gas de Combustión actual, CAN/CGA-B149.1, o el Código de Instalación de Propano actual, CAN/CGA-B149.2, y a los códigos locales que correspondan. Esta estufa se diseñó con certificación de ETL, de acuerdo con ANSI Z21.1, última edición, y la Asociación Canadiense de Gas de acuerdo con CAN/CGA-1.1, última edición.

Seguridad de la ubicación

⚠ ADVERTENCIA

Para reducir el riesgo de incendio, descargas eléctricas, lesiones y muerte, respete estas precauciones.



- Esta estufa es para uso interior y doméstico solamente. **No instale** la estufa en áreas expuestas al agua o a condiciones meteorológicas adversas.
- **No instale** la estufa en un sitio expuesto a una corriente de aire fuerte.

- Elija un piso nivelado y bien construido que pueda aguantar el peso de la estufa. El piso sintético, como el linóleo, debe aguantar temperaturas de 180 °F (82 °C) sin achicarse, deformarse o decolorarse. **No instale** la estufa directamente sobre alfombras de cocina, excepto que coloque una lámina de madera contrachapada de ¼ de pulgada o un aislante similar entre la estufa y la alfombra.

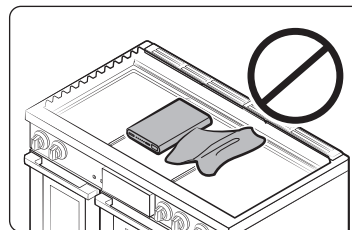
8 Español

- Elija una ubicación desde la cual se pueda acceder fácilmente al tomacorriente de conexión a tierra de tres clavijas.
- Si coloca la estufa cerca de una ventana, **no cuelgue** cortinas o persianas de papel largas en esa ventana.
- Para que la estufa se ventile correctamente, asegúrese de que las ventilaciones no estén bloqueadas y que haya distancia suficiente arriba, atrás, en los costados y debajo. Las ventilaciones permiten la salida de aire necesaria para que la estufa funcione adecuadamente con la combustión correcta y se obtengan buenos resultados de cocción.
- **Asegúrese** de que los revestimientos de las paredes alrededor de la estufa puedan soportar el calor de hasta 194 °F (90 °C) que esta genera.
- Evite colocar muebles de almacenamiento arriba de la estufa. Si es necesario colocar armarios encima de la estufa, deje una distancia mínima de 30" (76,2 cm) entre la superficie de cocción y la parte inferior de los gabinetes. Para obtener más información, consulte la sección "Dimensiones mínimas" en la página 13.

Seguridad de la placa de cocción

⚠ ADVERTENCIA

Para reducir el riesgo de incendio, descargas eléctricas, lesiones y muerte, respete estas precauciones.



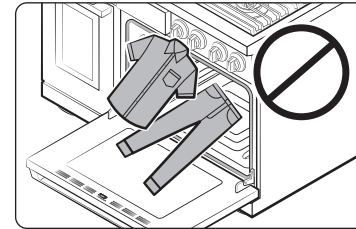
- **Asegúrese** de apagar todos los quemadores cuando no estén en uso.
- **No utilice** papel de aluminio para cubrir las rejillas ni ninguna parte de la placa de cocción.
- **No deje** los quemadores sin supervisión en entornos con niveles de calor medios o altos.
- Antes de encender los quemadores, **asegúrese** de que todas las tapas estén correctamente instaladas en su lugar y niveladas.
- Utilice siempre la posición **Lite** (Encendido) para encender los quemadores y asegúrese de que enciendan. Si falla el encendido, gire la perilla a **Off** (Apagado) y espere hasta que se disipe el gas.
- Cuando coloque un quemador a fuego lento, **no gire** la perilla rápidamente. Asegúrese de que la llama siga viva.
- **No ponga** objetos que no sean utensilios de cocina sobre la placa de cocción.
- La placa de cocción está diseñada para cocinar con un wok o un anillo para wok. Si se flambéan alimentos, solo debe hacerse debajo de una campana de ventilación encendida.

- Antes de retirar o cambiar los utensilios de cocina, apague los quemadores.
- Quite la comida y los utensilios de cocina inmediatamente después de cocinar.
- Antes de quitar cualquier pieza del quemador para su limpieza, asegúrese de que la estufa esté apagada y completamente fría.
- Después de limpiar el distribuidor del quemador y antes de volver a ensamblarlo, **asegúrese** de que esté completamente seco.
- **Asegúrese** de que la marca de encendido en el distribuidor del quemador doble esté colocada junto al electrodo al ensamblarlo.
- Para evitar un envenenamiento por monóxido de carbono, **no vierta** agua en la placa de cocción mientras limpia.
- Elija utensilios de cocina diseñados para cocinar en la estufa superior. Utilice elementos de cocina lo suficientemente grandes como para cubrir las rejillas del quemador. Ajuste las llamas de los quemadores para que no sobrepasen la base de los utensilios de cocina.
- Para evitar la decoloración o deformación de los utensilios y envenenamiento por monóxido de carbono, **no elija** utensilios que sean sustancialmente más grandes que la rejilla.
- **Asegúrese** de ubicar los mangos de los utensilios de cocina hacia un lado o hacia atrás de la placa de cocción, pero nunca sobre los quemadores superficiales.
- Manténgase lejos de la estufa al freír.
- Para freír, caliente el aceite despacio y supervise la operación. Cuando fría alimentos a alta temperatura, supervise detenidamente el proceso de cocción. Si combina grasas y aceites al freír, mézclelos antes de calentarlos.
- Utilice un termómetro de freidora siempre que sea posible. Esto evita sobrecalentar la freidora más allá del punto de ahumado.
- Utilice una cantidad mínima de aceite cuando fría en una sartén poco profunda o en una freidora. Evite cocinar alimentos congelados o con una cantidad excesiva de hielo.
- Antes de mover los utensilios de cocina llenos de aceite o grasa, asegúrese de que se hayan enfriado por completo.
- Para evitar la ebullición eruptiva retrasada, deje que los líquidos calientes permanezcan al menos 20 segundos después de que apague el quemador, de manera que la temperatura del líquido se pueda estabilizar. En caso de quemaduras, siga las instrucciones de primeros auxilios a continuación:
 1. Sumerja la zona quemada en agua fría o tibia por al menos 10 minutos.
 2. No aplique cremas, aceites ni lociones.
 3. Cubra con un paño limpio y seco.

Seguridad del horno

⚠ ADVERTENCIA

Para reducir el riesgo de incendio, descargas eléctricas, lesiones y muerte, respete estas precauciones.



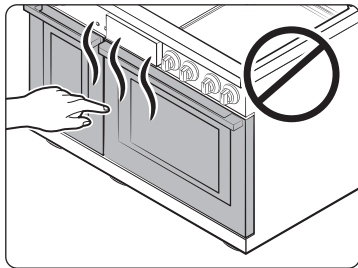
- **No utilice** el horno para fines que no sean de cocción, como secar ropa o guardar objetos. Utilice el horno solo para cocinar.
- **Asegúrese** de que la parte interior de la rejilla divisoria del horno esté en la posición correcta dentro de la rejilla más grande.
- **Asegúrese** de que las rejillas del horno estén a la misma altura de ambos lados.
- **No dañe, mueva ni limpie** la junta de la puerta.
- **No rocíe** agua en el cristal del horno mientras está encendido o apenas lo apaga.
- **No utilice** papel o cubiertas de aluminio en ninguna parte del horno. No utilice papel aluminio ni otro material similar para cubrir orificios o pasajes en el fondo del horno o para cubrir una rejilla.
- Aléjese del horno cuando abra la puerta.
- No deje que se acumule grasa en el horno.
- Cuando reubique las rejillas del horno, **asegúrese** de que el horno esté completamente frío.
- **Solo use** utensilios de cocina recomendados para hornos a gas.
- Para evitar dañar las perillas de control de los quemadores, siempre que hornee o ase alimentos hágalo con la puerta del horno cerrada.
- **No ase** la carne demasiado cerca de la llama del quemador para asar (o calentador). Elimine el exceso de grasa de la carne antes de cocinar.
- Cuando use bolsas de cocción o rostizado dentro del horno, siga las indicaciones del fabricante.

Información de seguridad importante

Seguridad del horno autolimpiante

⚠ ADVERTENCIA

Para reducir el riesgo de incendio, descargas eléctricas, lesiones y muerte, respete estas precauciones.



La función de autolimpieza del horno funciona a temperaturas lo suficientemente altas para quemar restos de comida dentro del horno. La estufa está extremadamente caliente durante el ciclo autolimpiante. **No toque** ninguna superficie de la estufa durante el ciclo autolimpiante.

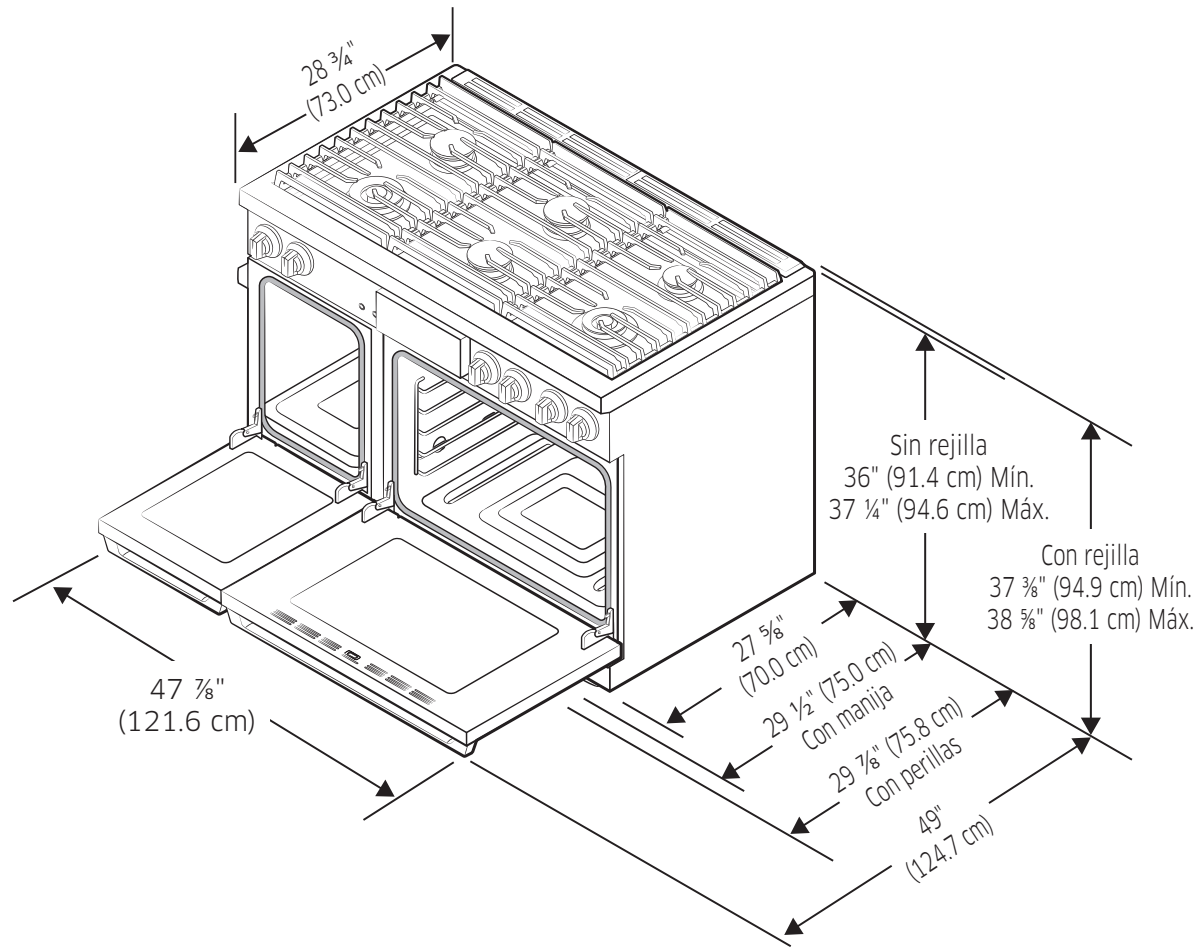
- Mantenga a los niños alejados del horno durante la totalidad del ciclo.
- Antes de comenzar el ciclo autolimpiante, **quite** todas las rejillas, los utensilios de cocina y los utensilios del horno. Solo se pueden dejar rejillas recubiertas en porcelana.
- Antes de comenzar el ciclo autolimpiante, quite la grasa y los restos de comida del horno.
- Cuando abra la puerta después de un ciclo autolimpiante, manténgase alejado del horno.
- Si el ciclo autolimpiante funciona mal, apague el horno, desconecte la alimentación de energía y comuníquese con un técnico de servicio calificado.

Componentes de la estufa a gas

Especificaciones de estufa a gas

MODELO DOP48*960G*

Descripción	Estufa a gas
Dimensiones generales	47 7/8" (ancho) × 37 1/4" (altura) × 29 1/2" (profundidad) 1216 mm (ancho) × 946 mm (altura) × 750 mm (profundidad)
Eléctrico	Consulte la etiqueta de especificaciones.
Gas, gn (gas natural)	5 - 13" en WC
Gas, lp (líquido propano)	10 - 13" en WC
Quemadores superficiales (GN)	(LF): 22,000 BTU / (LR): 16,000 BTU (RF): 22,000 BTU / (RR): 9,000 BTU (CF): 16,000 BTU / (CR): 16,000 BTU
Quemadores superficiales (LP)	(LF): 16,000 BTU / (LR): 15,000 BTU (RF): 16,000 BTU / (RR): 9,500 BTU (CF): 15,000 BTU / (CR): 15,000 BTU
Quemadores del horno (GN)	36" Asar (Superior): 18,000 BTU 36" Hornear (Inferior): 25,000 BTU 12" Asar (Superior): 9,000 BTU 12" Hornear (Inferior): 14,000 BTU
Quemadores del horno (LP)	36" Asar (Superior): 14,500 BTU 36" Hornear (Inferior): 23,000 BTU 12" Asar (Superior): 7,000 BTU 12" Hornear (Inferior): 12,500 BTU



Componentes de la estufa a gas

Requisitos de instalación

Requisitos de ubicación

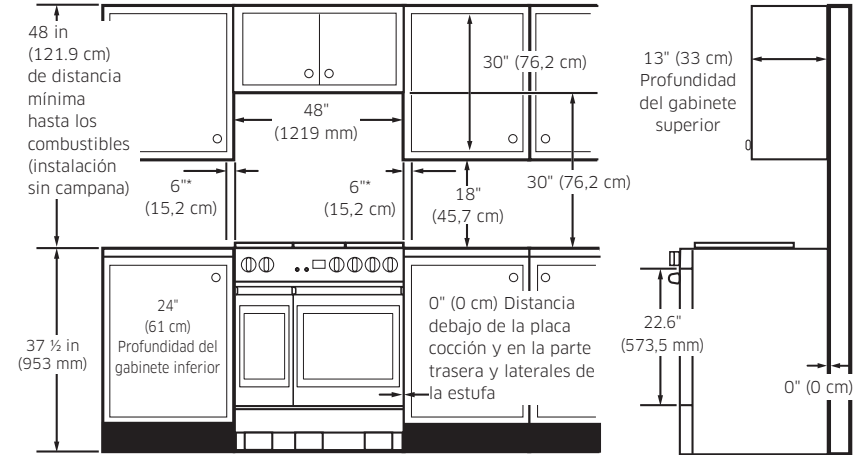
Distancias y dimensiones

NOTA

- Para instalar sobre estufa de gas, siga el CÓDIGO DE GAS local.
- **ANTES DE COMENZAR** a instalar este artefacto, consulte la siguiente información sobre dimensiones y distancias. **No ubique la estufa en un sitio en el que esté expuesta a fuertes corrientes de aire.** Deje una distancia adecuada entre la estufa y las superficies combustibles adyacentes. Debe respetar estas distancias para hacer un uso seguro de la estufa. La ubicación del tomacorriente y la tubería de gas pueden ajustarse para cumplir con las siguientes dimensiones y distancias.
- Para la instalación en Canadá, una estufa independiente no debe instalarse a menos de 4,7" (12 cm) de cualquier superficie adyacente.
- Las instalaciones sin campana requieren un mínimo de 48" de distancia hasta los combustibles. Las instalaciones de campana a medida con superficies horizontales combustibles expuestas deben contar con una función de encendido automático. Consulte las instrucciones de instalación de campanas para las distancias específicas para campanas.

PRECAUCIÓN

La estufa está diseñada para cumplir con la temperatura máxima admisible para gabinetes de madera de 194 °F (90 °C). Asegúrese de que los revestimientos de las paredes, las mesadas y los gabinetes alrededor de la estufa puedan soportar el calor de hasta 194 °F (90 °C) que genera la estufa. Si no lo soportan, puede ocurrir decoloración, delaminación o derretimiento.



* Distancia lateral por encima de la superficie de cocción a la que debe estar cualquier objeto, es decir, pared.

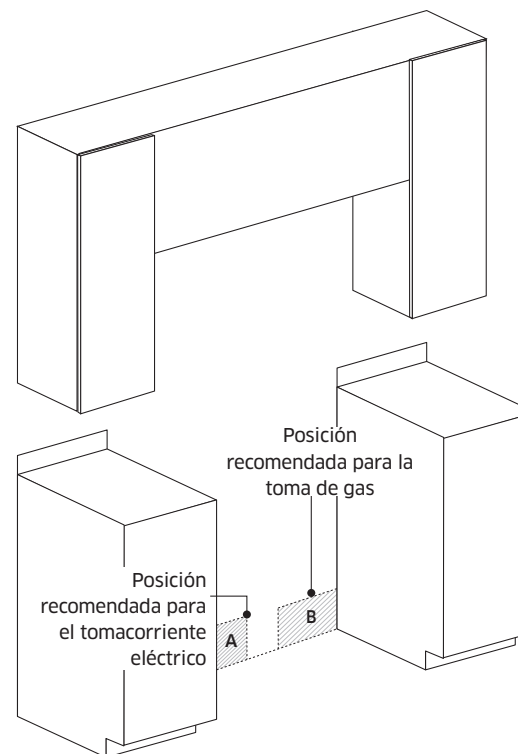
Dimensiones mínimas

⚠ PRECAUCIÓN

- Si se instalan gabinetes superiores, también debe instalarse una campana extractora que sobresalga horizontalmente un mínimo de 5" (12,7 cm) más allá de la parte frontal de los gabinetes. Se necesita la campana para disipar cualquier exceso de calor en los gabinetes superiores y evitar, así, la posibilidad de incendios, lesiones o muerte. La campana de ventilación debe estar hecha de chapa metálica de un grosor no inferior a 0,0122" e instalada encima de la placa de cocción con un espacio libre no inferior a ¼" entre la campana y la parte inferior del material combustible o del gabinete metálico. La campana debe ser al menos tan ancha como la estufa y estar bien centrada por encima. La distancia entre la superficie de cocción y la superficie de la campana de ventilación no debe ser inferior a 24".
- **Excepción n.º 1:** La instalación de un horno microondas o un artefacto de cocción sobre la placa de cocción deberá ajustarse al manual de instalación suministrado con el artefacto.
 - 30" (76,2 cm) de distancia mínima entre la parte superior de la superficie de cocción y la parte inferior de un gabinete de madera o metal sin protección; o si no es posible una distancia de 30" (76,2 cm), se puede utilizar un mínimo de 24" (61 cm) cuando la parte inferior del gabinete de madera o metal esté protegida por no menos de ¼" (0,64 cm) de cartón fresado retardante de llama cubierto con chapa de acero MSG no inferior al acero inoxidable n.º 28 de 0,015" (0,038 cm), aluminio de 0,024" (0,061 cm) o cobre de 0,020" (0,051 cm).
 - 18" (45,7 cm) de distancia mínima entre la mesada y el fondo del gabinete adyacente.
- **Excepción N.º 2:** Para la instalación en isla, mantenga un mínimo de 2 ½" desde el borde trasero hasta el borde posterior de la mesada y un mínimo de 4" desde el borde trasero hasta los bordes laterales de la mesada.

Guía de instalación

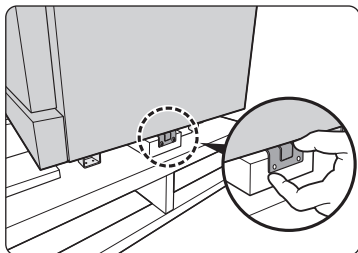
Ubicaciones recomendadas para las tuberías de gas y los tomacorrientes eléctricos



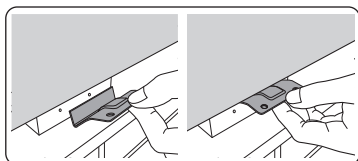
Modelo	DOP48*960G*
A	Tomacorriente eléctrico 9 7/8" (ancho) × 6 7/8" (altura) (25.1 cm × 17.5 cm)
B	Tubería de gas 17 15/16" (ancho) × 5 3/8" (altura) (45.5 cm × 13.8 cm)

Requisitos de instalación

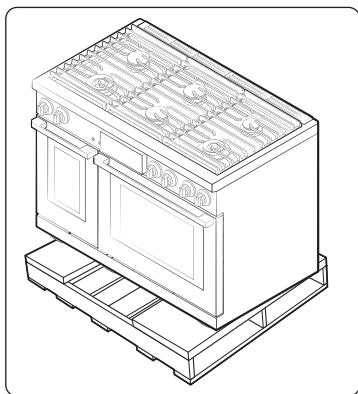
Para retirar del palé de manera segura



1. Retire los tornillos de la ménsula en ambos lados y en la parte posterior de la unidad.

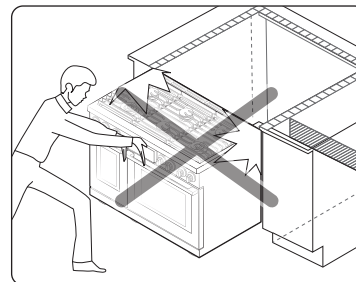


2. Presione la ménsula de cualquiera de los lados para retirarla.



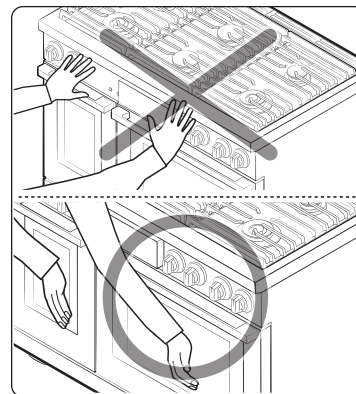
3. Retire el palé y el material de empaquetado. Tenga cuidado de no agarrar la manija de la puerta.

Para evitar roturas



⚠ PRECAUCIÓN

- **NO** empuje fuertemente la unidad cuando la instale. Esto podría dañarla.



- Sujete la zona superior izquierda y derecha de la puerta (no la manija de la puerta) con ambas manos y empuje la unidad hacia dentro. No agarre la manija de la puerta.

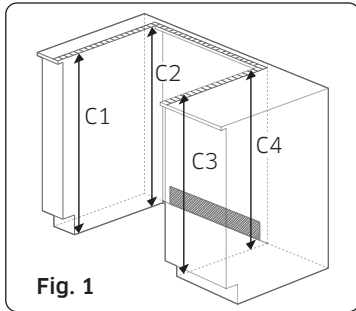


Fig. 1

1. La mesada alrededor del borde debe estar plana y nivelada (consulte la zona sombreada de la Fig. 1).
2. Antes de instalar la unidad, mida las alturas de los dos laterales del gabinete (C1-C4), frontal y posterior (consulte la Fig. 1) desde el suelo hasta la parte superior de la mesada.
3. Nivele la estufa utilizando las cuatro patas niveladoras de modo que la altura desde el suelo a la parte superior del marco de la placa de cocción esté al mismo nivel que la mesada.
4. Deslice la unidad en el gabinete (**NO EMPUJE FUERTEMENTE LA UNIDAD**). Asegúrese de que el centro de la unidad esté alineado con el centro del borde del gabinete.

Requisitos de gas

Proporcione suministro de gas adecuado.

Esta estufa está diseñada para funcionar a una presión de 5" (13 cm) de columna de agua con gas natural o 10" (25 cm) de columna de agua con gas LP (propano o butano).

Asegúrese de suministrar a su estufa el tipo de gas para el que se diseñó.

No intente convertir el artefacto del gas especificado en este manual a un gas diferente sin consultar al proveedor de gas.

Esta estufa es convertible: puede usarse con gas natural o propano. Si decide usar la estufa con gas LP, un instalador de gas LP calificado debe realizar la conversión antes de intentar usar la estufa.

Para un funcionamiento correcto, la presión del gas natural suministrado al regulador debe estar entre 6" y 13" (13 cm y 33 cm) de columna de agua.

Para el gas LP, la presión suministrada debe estar entre 11" y 13" (25 cm y 33 cm) de columna de agua.

Al verificar el funcionamiento correcto del regulador, la presión de entrada debe ser al menos 1" (2,5 cm) mayor que la presión de funcionamiento (colector) determinada.

El regulador de presión ubicado en la entrada del colector de la estufa debe permanecer en la tubería de suministro, independientemente de si se usa gas natural o LP.

El conector metálico flexible utilizado para conectar la estufa a la línea de suministro de gas debe tener un diámetro interior de 0,5" (1,3 cm) y una longitud de 5 pies (152 cm) para facilitar la instalación. En Canadá, los conectores flexibles deben ser conectores metálicos de pared simple de 6 pies (183 cm) de longitud como máximo.

No retuerza ni dañe el tubo metálico flexible al desplazar la estufa.

Requisitos de instalación

Requisitos especiales para el gas (modelos a gas vendidos en Massachusetts)

REQUISITOS DE LA MANCOMUNIDAD DE MASSACHUSETTS:

⚠ ADVERTENCIA

- Pueden producirse pérdidas de gas en su sistema, lo que generaría una situación peligrosa.
 - No siempre se pueden detectar las pérdidas de gas solo por el olor.
 - Los proveedores de gas recomiendan comprar e instalar un detector de gas aprobado por UL. El detector de gas debe ser instalado únicamente de acuerdo con las instrucciones del fabricante.
- La estufa debe ser instalada por un plomero con licencia o un gasista matriculado por el estado de Massachusetts.
- Se DEBE instalar una válvula de gas manual con manija en forma de "T" en el conducto de suministro de gas de la estufa.
- Si se usa un conector flexible de gas para instalar la estufa, no se deben conectar varios conductos flexibles de gas en serie.

Requisitos eléctricos

⚠ ADVERTENCIA

Para reducir el riesgo de incendios, descargas eléctricas o lesiones, respete estas precauciones:

Todas las estufas

- No utilice un alargue ni un enchufe adaptador con esta estufa.
- Esta estufa debe estar correctamente conectada a tierra.
- Consulte a un electricista calificado si no está seguro de si su estufa está correctamente conectada a tierra.
- No modifique el enchufe suministrado con su estufa; si no encaja en el tomacorriente, solicite a un electricista calificado que instale uno adecuado.
- Todo el cableado y la conexión a tierra deben cumplir con los códigos locales o, en su ausencia, con la versión más reciente del Código Eléctrico Nacional ANSI/NFPA n.º 70 (EE. UU.) o las versiones más recientes del Código Eléctrico de Canadá CSA C22.1 y los códigos y ordenanzas locales.
- El diagrama de cableado se encuentra en la parte trasera de la estufa. (Dentro del cable posterior de la cubierta)
- Esta estufa está equipada con un sistema de encendido electrónico que no funcionará si se conecta a un tomacorriente que no esté correctamente polarizado.

Modelos a gas

- Todos los modelos a gas están equipados con un cable de alimentación que dispone de un conductor de conexión a tierra para el equipo y un enchufe de conexión a tierra.
- Se requiere un servicio eléctrico aprobado de 120 voltios, 60 Hz, CA, con disyuntor de 12.5 amperios o fusible de retardo para todos los modelos estadounidenses y canadienses.
- Compruebe que haya un alivio de tensión con certificación UL de ¾" (1.9 cm) donde el cable de alimentación sale del gabinete de la estufa.
- No reutilice un cable de alimentación de una estufa anterior u otro artefacto.
- El cableado de alimentación eléctrica debe retenerse en el gabinete de la estufa con un aliviador de tensión UL adecuado.
- También se recomienda un fusible de retardo o un disyuntor.

Conexión a tierra



- Todas las estufas deben estar conectadas a tierra por seguridad personal.
- Todos los modelos a gas están equipados con un cable de alimentación que dispone de un conductor de conexión a tierra para el equipo y un enchufe de conexión a tierra.

- El enchufe debe estar conectado firmemente a un tomacorriente de tres clavijas bien instalado y conectado a tierra según los códigos y ordenanzas locales. En caso de que funcione mal o se averíe, la conexión a tierra reduce el riesgo de descarga eléctrica al proporcionar una vía de escape para la corriente eléctrica.
- No utilice un enchufe dañado ni un tomacorriente de pared flojo.
- No utilice un alargue ni un enchufe adaptador con este artefacto.
- Bajo ninguna circunstancia corte, modifique, quite o anule la clavija a tierra (tercera clavija) del cable de alimentación. Si el enchufe y el tomacorriente no coinciden o tiene alguna duda, solicite a un electricista calificado que instale un tomacorriente adecuado.

El cliente debe hacer que un electricista calificado revise el tomacorriente de pared y el circuito para asegurarse de que el tomacorriente esté conectado a tierra de manera correcta.

No se requieren ni se recomiendan interruptores de circuito por falla a tierra (GFCI) para los receptáculos de gas de la estufa.

- **NUNCA** conecte un cable de conexión a tierra a cañerías de plomería de plástico, tuberías de gas o de agua.

PRECAUCIÓN

El hecho de no seguir estas instrucciones puede ser causa de muertes, incendios o fallas eléctricas.

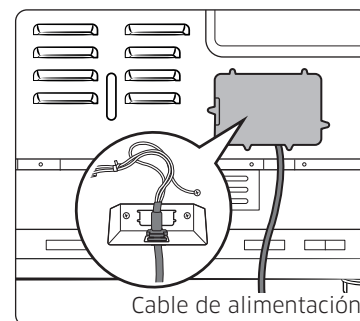
Situaciones de uso en las que el cable de alimentación del artefacto se desconectará con frecuencia

No utilice un enchufe adaptador en estas situaciones, ya que la desconexión del cable de alimentación somete al adaptador a una tensión excesiva y puede provocar el fallo del terminal de tierra del adaptador. En caso de encontrar un receptáculo de pared estándar de dos clavijas, es responsabilidad y obligación personal del cliente hacer que un electricista calificado lo sustituya por un receptáculo de tres clavijas (con conexión a tierra) antes de utilizar el artefacto.

Requisitos adicionales de instalación en casas rodantes

La instalación de los electrodomésticos diseñados para casas rodantes debe cumplir con la Norma de Construcción y Seguridad de Casas Prefabricadas, Título 24 CFR, Parte 3280 (denominada anteriormente Norma Federal para la Construcción y la Seguridad de Casas Rodantes, Título 24, HUD, Parte 280) o, cuando no corresponda su aplicación, la versión más reciente de la Norma para Instalaciones en Casas Prefabricadas (lugares para casas prefabricadas, comunidades y armados), la versión más reciente de ANSI A225.1, o los códigos locales. En Canadá, la instalación de casas rodantes debe cumplir con el Código de Instalación de Casas Rodantes CAN/CSA Z240/MH actual.

Ubicación del cable de alimentación

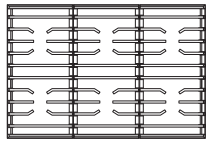


El cable de alimentación de este artefacto se encuentra en la parte posterior de la estufa, cerca de la parte media inferior. El cable de alimentación de 79" (200 cm) vendrá instalado en la estufa y pegado a la parte posterior para el envío.

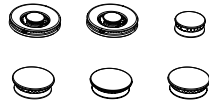
Herramientas y materiales

Contenido de la caja

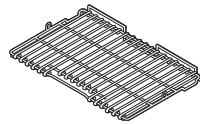
Piezas suministradas



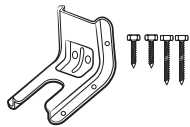
Rejillas (3)



Cabezales de los quemadores (6) y tapas de los quemadores (8)



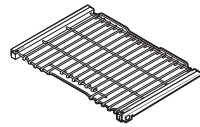
Parrilla metálica (1)



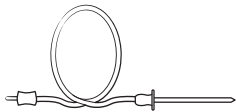
Kit de ménsula antiinclinación



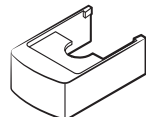
Anillo para wok (1)



Parrillas deslizantes (2)



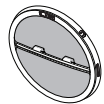
Sondas de temperatura (2)



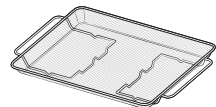
Cubiertas de las patas frontales (3)



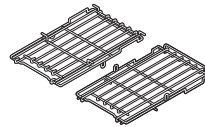
Tapas de latón de quemador (8)



Filtros de convección (3)



Bandeja de la freidora de aire (1)



Parrillas pequeñas (2)

NOTA

- Asegúrese de haber recibido todas las piezas que se indican arriba.
- Si su estufa se dañó durante el envío o si le falta alguna de las piezas, comuníquese con su vendedor local.

Piezas necesarias



Válvula de cierre en la tubería de gas



Conector flexible de metal del electrodoméstico de 1/2" (diámetro interior) x 5 pies



Adaptador de unión cónica de 3/4" o 1/2" (NPT) x 1/2" (diámetro interior)



Adaptador de unión cónica de 1/2" (NPT) x 1/2" (diámetro interior)



Codo de 135 grados (opcional)



Tirafondo o anclaje de manguito de 1/2" (diámetro exterior)

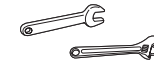
Herramientas necesarias



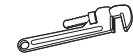
Destornillador de punta plana



Destornillador Phillips



Llave de boca fija o ajustable



Llave Stillson (2)



Lápiz y regla



Nivel



Compuesto de unión de tuberías



Llave para tuercas



Navaja multiuso



Solución de agua jabonosa



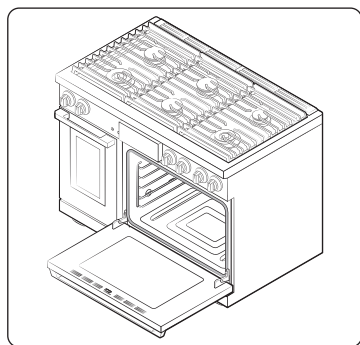
Perfore con una mecha de 1/8" (0.3 cm) o 3/16" (0.5 cm)

Instrucciones de instalación

Instalar su estufa a gas

NOTA

- **IMPORTANTE:** Lea las siguientes instrucciones, así como la sección "Instrucciones de seguridad importantes" en la parte delantera de este manual, completa y cuidadosamente ANTES de instalar o hacer funcionar la estufa a gas. La instalación, los ajustes, el servicio técnico o el mantenimiento incorrectos pueden causar lesiones personales o daños materiales.



- Para pedir piezas o accesorios, comuníquese con su vendedor local o consulte la última página.
- Para garantizar una instalación correcta, le recomendamos que contrate a un instalador profesional.

Paso 1. Desembale la estufa.

Retire todo el empaquetado. Si no quita todo el empaquetado, se puede dañar el artefacto.

Compruebe que estén todas las piezas sueltas viendo el resumen 'Piezas suministradas' de la página 18.

Verifique que no haya habido daños durante el envío y que no falten piezas. Si falta alguna pieza o hay algún daño, debe comunicárselo a su vendedor local.

Paso 2. Conectar la estufa al suministro de gas

Cierre la válvula principal de suministro de gas antes de desconectar la estufa anterior y déjela cerrada hasta que se haya completado la nueva conexión. No olvide volver a encender el piloto de otros artefactos de gas cuando vuelva a abrir el gas.

Debido a que las tuberías rígidas limitan el movimiento de la estufa, se recomienda usar un conector flexible de metal certificado por CSA International para electrodomésticos, a menos que los códigos locales exijan una conexión con tuberías rígidas.

PRECAUCIÓN

- No seguir las instrucciones de este manual con exactitud puede provocar un incendio o una explosión que podría ocasionar daños materiales, lesiones o la muerte.
- No guarde ni utilice gasolina u otros productos inflamables cerca de este artefacto.
- QUÉ HACER SI HAY OLOR A GAS:
 - NO prenda fósforos, velas o cigarrillos.
 - NO encienda ningún otro artefacto.
 - NO toque ningún interruptor eléctrico.
 - NO utilice ningún teléfono dentro del edificio.
 - Evacúe la habitación, el edificio o el área.
 - Llame inmediatamente al proveedor de gas desde el teléfono de un vecino. Siga las instrucciones del proveedor de gas.
 - Si no puede comunicarse con el proveedor de gas, llame al departamento de bomberos.
- La instalación y el servicio técnico deben ser realizados por el proveedor de gas, o un instalador o agencia de servicio técnico calificados.
- Nunca use un conector viejo al instalar una estufa nueva. Para las tuberías rígidas, alinee cuidadosamente la tubería. La estufa no se puede mover después de realizarse la conexión.
- Para evitar fugas de gas, aplique compuesto para unión de tuberías o envuelva con cinta para roscas de tubos con Teflón en todas las roscas macho (externas).

Instrucciones de instalación

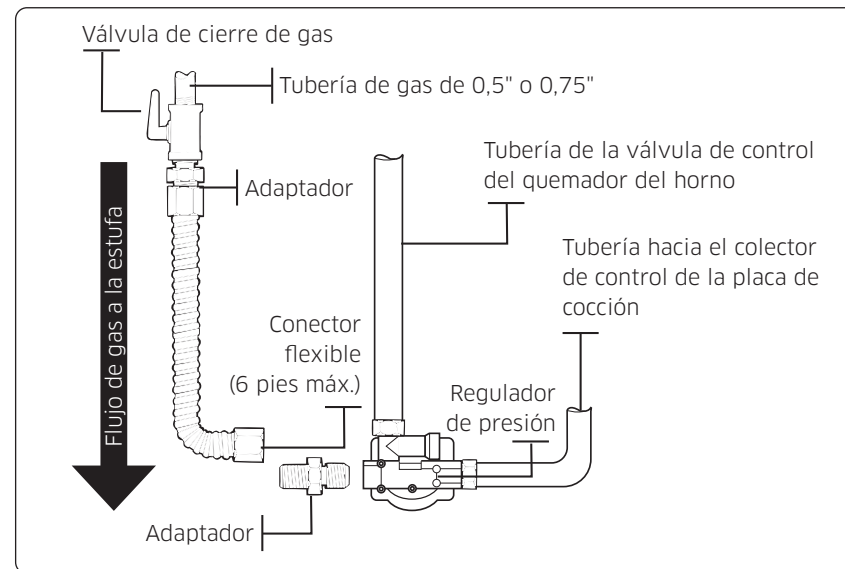
1. Instale una válvula manual de cierre en la tubería de gas en un lugar de fácil acceso fuera de la estufa.
Asegúrese de que todas las personas que utilicen la estufa sepan desde dónde y cómo cerrar el suministro de gas a la estufa.
2. Instale el adaptador de unión abocardado macho de 0,5" (1,3 cm) en la rosca interna NPT de 0,5" (1,3 cm) de la entrada del regulador. Utilice una llave de seguridad al ajustar el regulador para evitar daños.
Cuando instale la estufa por delante, retire el codo de 90° para facilitar la instalación.
3. Instale un adaptador de unión cónica macho de 0,5" (1,3 cm) o de 0,75" (1,9 cm) en la rosca interna NPT de la válvula de cierre manual y recuerde sujetar la válvula de cierre para evitar que gire.
4. Conecte el conector metálico flexible del electrodoméstico al adaptador de la estufa. Posicione la estufa para permitir la conexión en la válvula de cierre.
5. Una vez realizadas todas las conexiones, asegúrese de que todos los controles de la estufa estén en la posición off (apagado) y abra la válvula principal de suministro de gas. Utilice un detector de fugas de líquido en todas las juntas y conexiones para comprobar si hay fugas en el sistema.

⚠ ADVERTENCIA

- No utilice una llama para verificar si hay pérdidas de gas. Esto podría ocasionar incendios, explosiones, lesiones o muertes.
- Cuando utilice presiones de prueba superiores a ½ psig para probar la presión del sistema de suministro de gas de la residencia, desconecte la estufa y la válvula de cierre individual de la tubería de suministro de gas. Cuando utilice presiones de prueba de ½ psig o menos para probar el sistema de suministro de gas, simplemente aisle la estufa del sistema de suministro de gas cerrando la válvula de cierre individual.
- No exceda las 25 libras-pie de torque cuando haga las conexiones de la línea de gas. Si ajusta en exceso puede romper el regulador de presión y generar una fuga de gas.

Conexión con conectores flexibles

Instalador: informe la ubicación de la válvula de cierre de gas al consumidor.



📌 NOTA

- Si su zona requiere una conexión de tubería rígida, póngase en contacto con un instalador calificado, una agencia de servicios o un proveedor de gas.
- La válvula de cierre de gas debe instalarse en un lugar de la tubería de gas que sea accesible, fuera del artefacto, para poder abrir o cerrar el suministro de gas al dispositivo.

Paso 3. Convertir a gas LP (opcional)

Todas las estufas a gas nuevas se envían configuradas de fábrica para usar con gas natural. Esta estufa de gas de Dacor se puede convertir para usar gas LP. (comuníquese con un técnico de servicio calificado).

El proceso de conversión solo debe realizarlo un instalador de gas LP calificado. Las insrucciones de conversión y los orificios de LP se suministran con el kit de conversión a LP. La conversión a LP exige que se cambien todos los orificios del quemador (6 quemadores superficiales y 2 quemadores de horno).

Además, es necesario invertir la boquilla del regulador de presión de gas. Todos los orificios sustituidos deben quedar en poder del consumidor, incluidas las instrucciones, los tamaños de retroinstalación y la indicación del orificio.

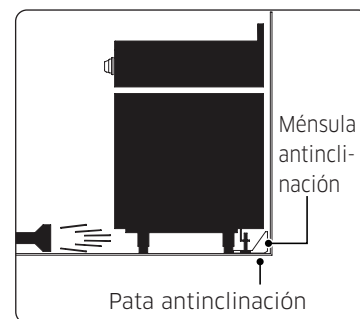
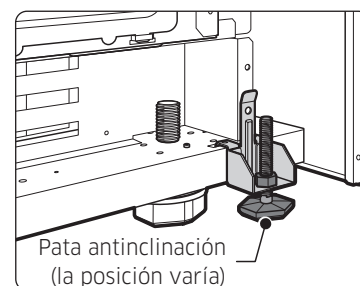
TAMAÑOS DEL ORIFICIO DEL QUEMADOR Y CLASES DE POTENCIA (Gas LP [Propano] WCP de 10" [25.4 cm])		
Ubicación del quemador	Potencia BTU	Tamaño del quemador [mm]
LF	16,000	Interior 0,46 / Exterior 0,78*2
LR	15,000	1,04 / 0,50
RF	16,000	Interior 0,46/Exterior 0,78*2
RR	9,500	0,78 / 0,50
CF	15,000	1,04 / 0,50
CR	15,000	1,04 / 0,50
Asar a la parrilla	36" : 14,500 / 12" : 7000	36" : 0,79*2, 12" : 0,79
Hornear	36" : 23,000 / 12" : 12,500	36" : 1,40 / 12" : 1,04

TAMAÑOS DEL ORIFICIO DEL QUEMADOR Y CLASES DE POTENCIA (Gas Natural 5" [12.7 cm] WCP)		
Ubicación del quemador	Potencia BTU	Tamaño del quemador [mm]
LF	22,000	Interior 0,85 / Exterior 1,36*2
LR	16,000	1,60 / 0,68
RF	22,000	Interior 0,85 / Exterior 1,36*2
RR	9,000	1,20 / 0,61
CF	16,000	1,60 / 0,68
CR	16,000	1,60 / 0,68
Asar a la parrilla	36" : 18,000 / 12" : 9,000	36" : 1,30*2, 12" : 1,30
Hornear	36" : 25,000 / 12" : 14,000	36" : 2,43 / 12" : 1,60

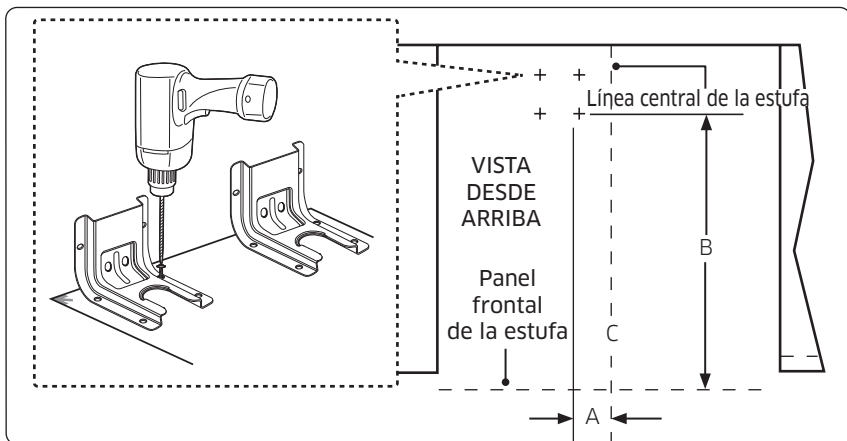
Paso 4. Instalar la ménsula antinclinación

⚠ ADVERTENCIA

- Para reducir el riesgo de inclinación, el aparato debe fijarse instalando correctamente la ménsula antinclinación embalada con el artefacto.
- Todas las estufas pueden inclinarse y provocar lesiones.
- La inclinación de las estufas puede causar quemaduras por derrames, lesiones o la muerte.
- Para evitar la inclinación accidental, instale y revise la ménsula antinclinación.

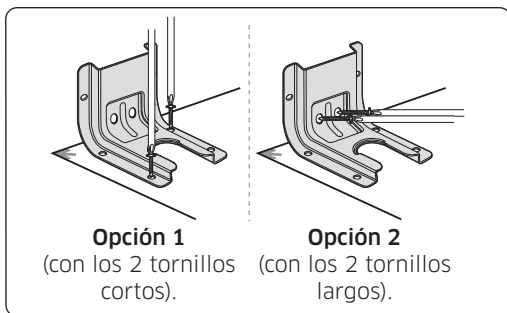


Instrucciones de instalación

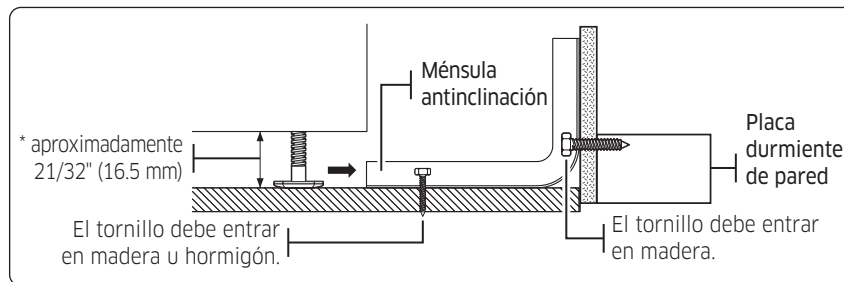


- Use una perforadora con una mecha para hormigón de 1/8" para perforar los cuatro orificios si la ménsula está montada en un piso de madera. Use una perforadora con una mecha para hormigón de 3/16" para perforar los cuatro orificios si la ménsula está montada en un piso de cemento o cerámicos.

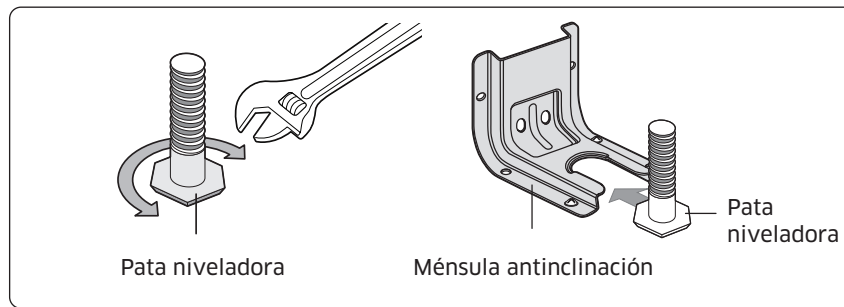
COLOCACIÓN DE LA MÉNSULA ANTINCLINACIÓN	
Comparación	DOP48*960**
A	6 1/4" (15.9 cm)
B	23 7/8" (60.7 cm)



- Haga coincidir los orificios de la ménsula antinclinación con los orificios del piso o de la placa de la pared como se muestra en las opciones 1 y 2. Asegure la ménsula en el lugar con un destornillador Phillips y dos de los cuatro tornillos que se suministran.



- Nivele la estufa ajustando las patas niveladoras con una llave. Utilice un nivel de burbuja de aire para controlar los ajustes. Enchufe el cable de alimentación a un tomacorriente. Deslice la estufa hasta su posición. Para verificar que las patas niveladoras estén enganchadas, sujete el borde trasero superior de la estufa e intente inclinarla hacia adelante cuidadosamente.



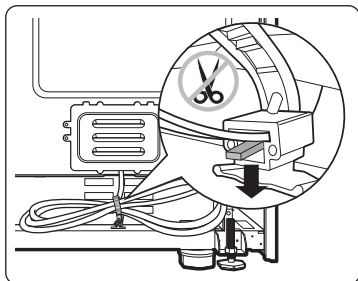
NOTA

Para instalar la ménsula antinclinación, suelte la pata niveladora utilizando la llave de tubería, ya que se aplica Loctite en el perno para prevenir que se libere por las vibraciones. Se requiere una distancia mínima de 1 3/8" (35.1 mm) entre la parte inferior de la estufa y el suelo de la cocina. Para comprobar si la ménsula está instalada y encajada correctamente, retire el panel de protección y mire debajo de la estufa para ver si la pata niveladora está encajada en la ménsula. Inclíne cuidadosamente la estufa hacia adelante. La ménsula debe impedir que la estufa se incline más 4" (10,2 cm). Si no lo hace, se debe volver a instalar la ménsula. Si la estufa se separa de la pared por cualquier motivo, repita siempre este procedimiento para comprobar que la estufa está bien sujeta por la ménsula antinclinación. No retire nunca por completo las patas de nivelación o la estufa no quedará bien sujeta a la ménsula antinclinación.

Paso 5. Enchufar y colocar

⚠ ADVERTENCIA

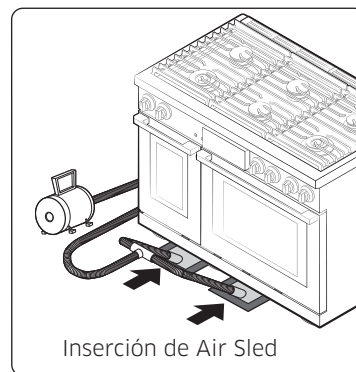
- **ANTES DE OPERAR O PROBAR, siga los requisitos de conexión a tierra de las páginas de 16 a 17 de este manual. Una conexión a tierra inadecuada puede causar riesgo de descarga eléctrica.**
- **Todas las estufas a gas vienen con un cable de alimentación.** El cable de alimentación está conectado a la parte trasera de la estufa. Consulte **Requisitos eléctricos** en las páginas de 16 a 17.
- Todos los modelos estadounidenses y canadienses se fabrican con un sistema eléctrico de 3 conductores, 120 voltios y 60 hercios. Todo el sistema, incluido el cable de alimentación, viene preinstalado y precableado de fábrica. Modificar cualquier parte de este sistema puede provocar un cortocircuito o una sobrecarga.



Enchufe de la estufa a gas

1. La atadura de los cables en la parte posterior de la unidad incluye una palabra que desata el cable de alimentación. Para liberar la atadura, no la corte. En cambio, use la palanca para liberar la atadura.
2. Enchufe el cable de alimentación. Asegúrese de que el tomacorriente cumple los códigos eléctricos locales o nacionales, tal y como se indica en las páginas de 16 a 17.
3. Deslice la estufa hacia su lugar.
4. Compruebe que la tubería de suministro de gas no ha sufrido daños y que ha permanecido conectada durante la colocación.
5. Compruebe que la pata trasera de la estufa se haya deslizado por la ménsula antiinclinación. Con cuidado, incline la estufa hacia adelante para verificar que la ménsula antiinclinación engancha el soporte trasero e imposibilita el vuelco.

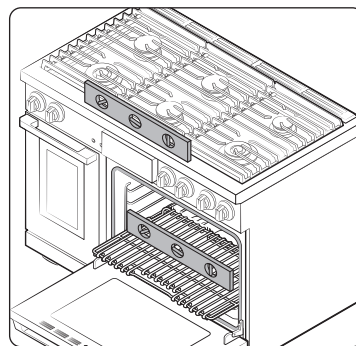
Paso 6. Mover y ubicar la estufa



1. Debido al peso de esta unidad, se deben usar herramientas para mover equipos pesados, como el Air Sled. El peso debe estar distribuido de forma pareja en la base.
2. Después de transportar la estufa al lugar deseado con un Air Sled, se la puede nivelar ajustando las patas con una llave mientras se apoya sobre el Air Sled. Con una llave inglesa, nivele la estufa girando las patas niveladoras delanteras hacia dentro o hacia fuera según sea necesario. En sentido contrario a las agujas del reloj se acorta la pata y se baja la estufa. En el sentido de las agujas del reloj se alarga la pata y se eleva la estufa.

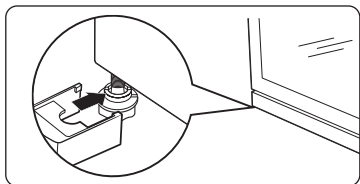
📖 NOTA

Ajuste las patas niveladoras solo lo necesario para nivelar la estufa. Extender las patas de nivelación más de lo necesario o retirar las patas puede hacer que la posición de la estufa sea inestable.



3. Si la estufa está ubicada al lado de gabinetes o entre ellos, asegúrese de que la placa de cocción (sin las rejillas de los quemadores superficiales) esté nivelada con las mesadas.
4. Coloque una parrilla de horno en la posición de parrilla central.
5. Utilice las dos posiciones que se muestran a la derecha para comprobar el nivel de la estufa con un nivel de carpintería.
6. Una vez que la estufa esté nivelada, use el Air Sled para alejar estufa de la pared y poder instalar la ménsula antiinclinación.

Instrucciones de instalación



- Después de instalar y nivelar la estufa, retire el Air Sled con cuidado e instale las cubiertas de las patas delanteras (derecha, central e izquierda).

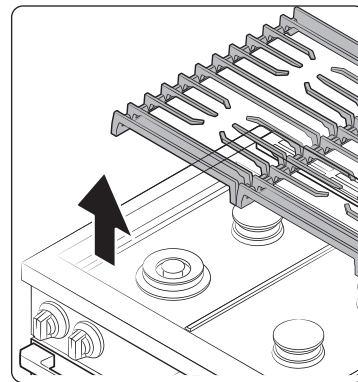
Paso 7. Arme los quemadores superficiales

⚠ PRECAUCIÓN

No opere los quemadores superficiales si no están todas las piezas en su lugar.

- Coloque los cabezales de los quemadores superiores sobre los colectores de los quemadores superiores, tal como se indica en la imagen de la derecha. Los electrodos encajarán en la ranura de la parte inferior de los cabezales. Asegúrese de que los cabezales de los quemadores superficiales estén planos y paralelos a la placa de cocción.
- Coloque las tapas del mismo tamaño en la parte superior de cada cabezal de quemador superficial.

Parte superior	Parte inferior



- Coloque las rejillas de los quemadores superficiales izquierdo y derecho sobre la placa de cocción. Los bordes de las rejillas deben coincidir con los bordes de la placa de cocción.

📖 NOTA

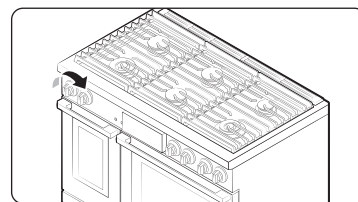
- Las rejillas deben quedar en la posición correcta, ya que no son intercambiables.
- Puede reconocer la posición correcta de las rejillas comprobando la parte inferior de cada una. Busque la posición grabada en la rejilla derecha e izquierda, **RIGHT FRONT** (DERECHA FRONTAL) y **LEFT FRONT** (IZQUIERDA FRONTAL) respectivamente.
- Las rejillas son pesadas. Tenga cuidado al manipular las rejillas.

Paso 8. Compruebe el encendido de los quemadores superficiales y del horno.

Compruebe el funcionamiento de todos los quemadores de la placa de cocción y del horno después de haber instalado y montado la estufa, comprobado cuidadosamente que las tuberías de suministro de gas no presentan fugas y enchufado el cable de alimentación eléctrica.

Todos los quemadores superficiales y del horno tienen encendido electrónico.

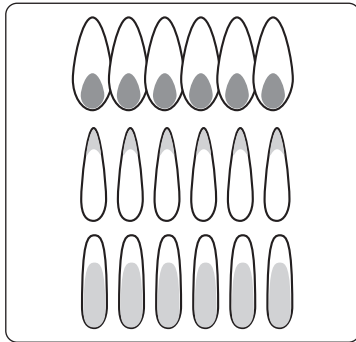
Para encender un quemador superficial:



- Presione la perilla y, luego, gírela hacia la posición **Lite** (Encendido). Escuchará un sonido de "chasquido" que indica que el sistema de encendido electrónico está funcionando correctamente.
- Gire la perilla de control para ajustar el nivel de la llama.

Verificación de la calidad de la llama:

Todas las llamas de combustión deben verificarse visualmente para determinar su calidad.



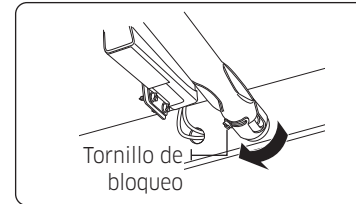
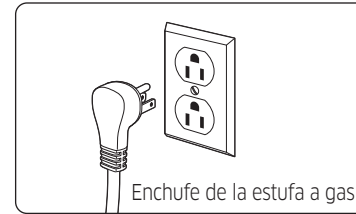
1. **Llamas azules atenuadas predominantes:** normal para la operación de gas natural.
2. **Puntas amarillas en los conos exteriores:** normal para la operación de gas LP.
3. **Llamas amarillas:** no son normales para ningún tipo de gas.

NOTA

Si la llama del quemador se parece a la opción 3, no se debe utilizar la estufa hasta que se revise. Llame a Dacor para que realice el servicio. Las llamas de un quemador normal deben lucir como las opciones 1 o 2, según el tipo de gas que utilice.

Paso 9. Lista de verificación final de la instalación

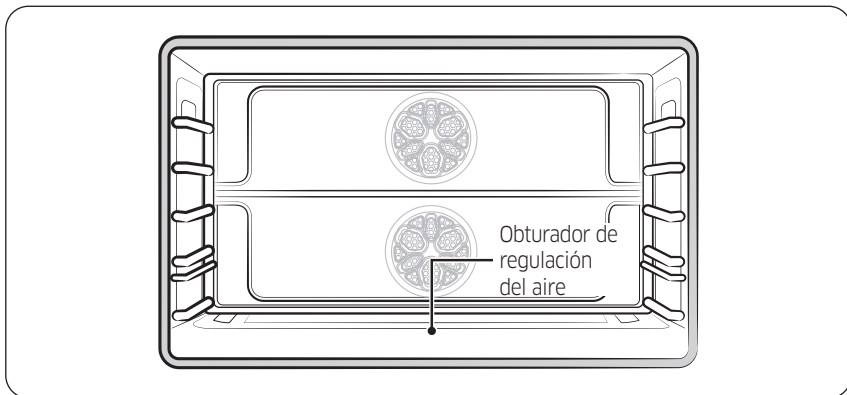
Ya completó la instalación de su estufa. Asegúrese de que todos los controles estén en la posición **Off** (Apagado) y que el flujo de aire de ventilación hacia la estufa no esté obstruido. La siguiente es una lista de verificación para confirmar que su estufa está instalada de forma segura y lista para su operación.



- La línea de gas se conectó correctamente a la estufa. El gas se encendió. Se verificaron todas las conexiones en busca de pérdidas.
- La estufa está enchufada en el receptáculo que está correctamente conectado a tierra.
- Se instaló y se fijó correctamente la ménsula antiinclinación aprobada con la estufa.
- La estufa está nivelada y se encuentra firme sobre una superficie sólida al nivel del suelo.
- Los quemadores superficiales de gas se han montado correctamente.
- Se probaron todos los quemadores y funcionan correctamente.
- **PARA EL INSTALADOR ÚNICAMENTE:** verifique y ajuste las llamas de los quemadores de asado y del horno tal como se describe en este manual.

Instrucciones de instalación

Ajustar los obturadores de regulación del aire del quemador del horno



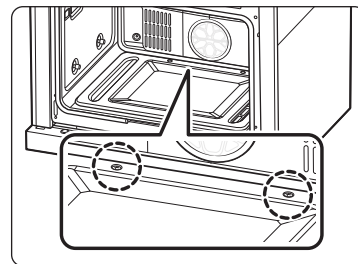
Todos los quemadores del horno tienen un obturador de regulación de aire. El fin del obturador es regular el flujo del aire a las llamas. Las llamas correctamente ajustadas deben arder de forma constante con un cono azul de aproximadamente 1". Las llamas nunca deben sobrepasar el borde de los deflectores del quemador. Aunque vienen preajustados de fábrica, deben verificarse y, si es necesario, ajustarse periódicamente para garantizar un funcionamiento eficaz.

Para verificar y ajustar los obturadores de regulación del aire del quemador del horno:

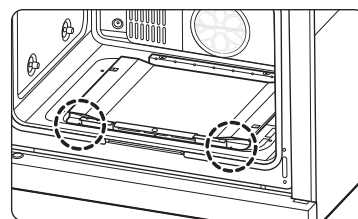
1. Abra la puerta del horno.
2. Quite las rejillas del horno.
3. Quite el piso del horno.
4. Gire la perilla para seleccionar el modo de **Off** (Apagado) a la posición **Bake** (Hornear) y, luego, gire la perilla para seleccionar la temperatura desde la posición **Off** (Apagado).
5. Una vez encendido el horno, verifique visualmente las llamas que salen de los quemadores superior e inferior. Si es necesario, ajuste cuidadosamente los obturadores de ajuste de aire.

Los obturadores están situados en la base de los colectores de los quemadores, cerca de la pared trasera del horno.

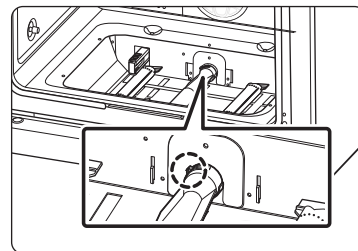
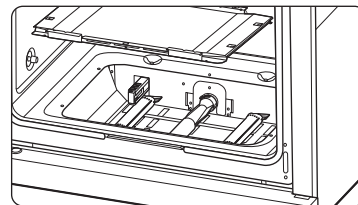
Obturador de regulación del aire (quemador para hornear)



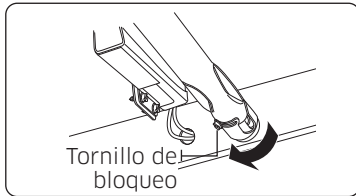
1. Retire 2 tornillos del piso de la cavidad y retire el piso de la cavidad.



2. Retire 2 tornillos de la base de la ménsula y retire la base de la ménsula.



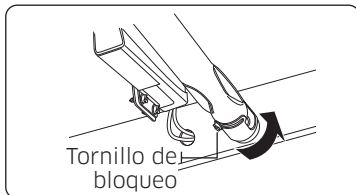
3. Desajuste el tornillo de bloqueo del quemador para hornear y ajuste el obturador del aire.



Para ajustar el obturador, afloje el tornillo de bloqueo y gire el obturador hacia la posición abierta o cerrada según sea necesario. Si las llamas se levantan de los puertos del quemador, reduzca gradualmente la apertura del obturador de aire hasta que las llamas se estabilicen. Si las llamas son demasiado amarillas o demasiado grandes, aumente gradualmente la apertura del obturador de aire hasta que las llamas tengan aproximadamente un cono azul de 1".

NOTA

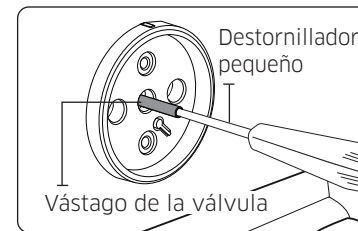
Si la estufa está preparada para gas natural, las llamas deben arder con puntas amarillas mínimas. Si la estufa está preparada para gas LP, es normal que haya pequeñas puntas amarillas al final de los conos.



Una vez que las llamas estén bien ajustadas, apague el horno, vuelva a apretar los tornillos de bloqueo, vuelva a colocar el fondo del horno y las rejillas, y cierre la puerta del horno.

Para ajustar la posición baja de la llama

Identifique en qué quemador la llama de fuego lento es demasiado alta o demasiado baja y ajuste según sea necesario siguiendo los pasos que se indican a continuación:



1. Gire una perilla a la posición **Lo** (Bajo) y retire la perilla del vástago de la válvula mientras la llama está encendida.
2. Empuje con cuidado el destornillador en el vástago de la válvula, hasta que choque con el tornillo de ajuste de simulación. Asegúrese de que la cabeza plana del destornillador está asentada en la ranura del tornillo de fijación.
3. Gire el tornillo de ajuste de la válvula en el sentido de las agujas del reloj para disminuir la salida de llama de ajuste **Lo** (Bajo) o gire el tornillo de ajuste en sentido contrario a las agujas del reloj para aumentar la salida de llama de ajuste **Lo** (Bajo).

ADVERTENCIA

1. No retire completamente el tornillo de fijación de la válvula del vástago de la válvula. El tornillo de ajuste de la válvula forma parte del conjunto de la válvula de gas. Si se retira el tornillo de ajuste de la válvula, se producirá una fuga de gas.
2. Después de ajustar el tornillo de ajuste de la válvula, inspeccione el conjunto en busca de fugas de gas.

dacor



DG68-01512A-00

Dacor • Teléfono: 833-353-5483 (EE. UU.), 844-509-4659 (CANADÁ) • www.dacor.com

dacor

Manuel d'installation

Cuisinière professionnelle à gaz

DOP48*960G*

⚠ AVERTISSEMENT

Ne faites jamais fonctionner la surface de cuisson supérieure de cet appareil sans surveillance

- Ne pas tenir compte de cet avertissement peut causer un incendie, une explosion ou vous exposer à un risque de brûlure pouvant entraîner des dégâts matériels, des blessures ou la mort.
- En cas d'incendie, éloignez-vous de l'appareil et appelez immédiatement les pompiers.

N'ESSAYEZ PAS D'ÉTEINDRE UN FEU D'HUILE OU DE GRAISSE AVEC DE L'EAU.

AVERTISSEMENT : Le non-respect des informations contenues dans ce manuel peut provoquer un incendie ou une explosion et entraîner des dommages matériels, des blessures ou la mort.

- Veillez à **NE PAS** conserver ni utiliser d'essence ou d'autres vapeurs ou liquides inflammables près de cet appareil ou de tout autre appareil.
- Veillez à **NE PAS** installer ce produit avec une hotte à rideau d'air ou une autre hotte de cuisinière qui fonctionne en soufflant de l'air vers le bas sur la table de cuisson. Ce flux d'air peut interférer avec le fonctionnement des brûleurs à gaz et donner lieu à un risque d'incendie ou d'explosion.
- **QUE FAIRE SI VOUS SENTEZ UNE ODEUR DE GAZ :**
 - Veillez à **NE PAS** mettre en marche un appareil.
 - Veillez à **NE PAS** toucher aux interrupteurs électriques.
 - Veillez à **NE PAS** utiliser de téléphone dans votre bâtiment.
 - Appelez immédiatement votre compagnie de gaz depuis le téléphone d'un voisin. Suivez les instructions de la compagnie de gaz.
 - Si votre compagnie de gaz n'est pas joignable, appelez les pompiers.
- L'installation et l'entretien doivent être effectués par un installateur qualifié, un organisme de service ou la compagnie de gaz.

DISPOSITIF ANTI-BASCULEMENT



⚠ AVERTISSEMENT

TOUTES LES CUISINIÈRES PEUVENT BASCULER ET ENTRAÎNER DES BLESSURES CORPORELLES.

LES CUISINIÈRES QUI BASCULENT PEUVENT PROVOQUER DES BRÛLURES DUES À DES DÉVERSEMENTS, DES BLESSURES ET/OU LA MORT. INSTALLEZ ET VÉRIFIEZ LE SUPPORT ANTI-BASCULEMENT EN SUIVANT LES INSTRUCTIONS ET LE MODÈLE FOURNIS AVEC LE SUPPORT.

- Pour éviter le basculement accidentel de la cuisinière, fixez un dispositif anti-basculement approuvé au sol. (Voir Installation du dispositif anti-basculement dans les instructions d'installation). Vérifiez si la cuisinière est bien installée en la faisant basculer prudemment vers l'avant. Le dispositif anti-basculement devrait s'enclencher et empêcher la cuisinière de basculer.
- Si la cuisinière est retirée du mur pour une quelconque raison, assurez-vous que le dispositif anti-basculement est réenclenché après avoir remis la cuisinière en place.
- Suivez les instructions d'installation figurant dans le manuel d'installation. Le non-respect de ces instructions peut entraîner la mort, des blessures graves et/ou des dommages matériels.
- **NE montez PAS, ne vous asseyez pas et ne vous appuyez pas** sur/contre la porte ou le tiroir pour éviter que la cuisinière ne bascule accidentellement.

Contenu

Démarrer	4
À propos de ce manuel	4
Informations de sécurité importantes	4
Lisez toutes les instructions avant d'utiliser cet appareil	4
Symboles utilisés dans ce manuel	4
Avertissement relatif à la proposition 65 de l'État de Californie	5
Commonwealth du Massachusetts	5
Sécurité générale	5
Sécurité incendie	6
Sécurité en matière de gaz	6
Sécurité électrique et mise à la terre	7
Sécurité de l'installation	7
Sécurité en matière d'emplacement	8
Sécurité de la table de cuisson	8
Sécurité du four	9
Sécurité du four autonettoyant	10
Composants de la cuisinière à gaz	10
Spécifications de la cuisinière à gaz	10
Conditions d'installation	12
Exigences relatives à l'emplacement	12
Guide d'installation	13
Pour retirer la cuisinière de la palette en toute sécurité	14
Pour éviter tout bris	14
Exigences en matière de gaz	15
Exigences particulières en matière de gaz (modèles à gaz vendus dans le Massachusetts)	16
Exigences électriques	16

Outils et matériel	18
Contenu de la boîte	18
Instructions d'installation	19
Installation de votre cuisinière à gaz	19
Réglage des volets d'air des brûleurs du four	26

Démarrer

À propos de ce manuel

Lisez entièrement et attentivement ces instructions.

Remarque importante destinée à l'installateur

- Lisez toutes les instructions contenues dans ce manuel d'installation avant d'installer la cuisinière.
- Retirez tous les matériaux d'emballage des compartiments du four avant de raccorder l'alimentation électrique et en gaz à la cuisinière.
- Respectez tous les codes et ordonnances en vigueur.
- Assurez-vous de laisser ces instructions à l'utilisateur.
- L'installation de cet appareil requiert des compétences mécaniques de base.
- L'installateur est responsable de toute mauvaise installation.
- La défaillance du produit due à une mauvaise installation n'est pas couverte par la garantie.

Remarque importante destinée à l'utilisateur

Conservez ces instructions avec votre manuel d'utilisation pour référence future.

- Comme pour l'utilisation de tout appareil générant de la chaleur, vous devez respecter certaines précautions de sécurité.
- Assurez-vous que votre cuisinière est installée et mise à la terre correctement par un installateur ou un technicien qualifié.
- Assurez-vous que les revêtements muraux autour de la cuisinière peuvent résister à la chaleur générée par l'appareil.
- L'espace de rangement au-dessus des brûleurs de surface doit être d'au moins 76,2 cm (30 po).

Remarque importante à l'intention du réparateur

Le schéma électrique se trouve dans une enveloppe fixée à l'arrière de la cuisinière.

Informations de sécurité importantes

Lisez toutes les instructions avant d'utiliser cet appareil

- Tout appareil électrique et à gaz comportant des pièces mobiles peut être dangereux. Veuillez lire les consignes de sécurité importantes relatives à cet appareil dans ce manuel. Les instructions doivent être suivies pour minimiser les risques de blessures, de décès ou de dommages matériels.
- Conservez ce manuel. Ne le jetez pas.

Symboles utilisés dans ce manuel

AVERTISSEMENT

Risques ou manipulations dangereuses susceptibles d'entraîner des blessures graves, voire mortelles.

ATTENTION

Risques ou manipulations dangereuses susceptibles d'entraîner des blessures légères ou des dégâts

REMARQUE

Conseils et instructions utiles

Ces icônes et symboles d'avertissement sont là pour éviter de vous blesser ou de blesser d'autres personnes. Veuillez les suivre explicitement. Après avoir lu cette section, conservez-la dans un endroit sûr pour pouvoir la consulter ultérieurement.

Avertissement relatif à la proposition 65 de l'État de Californie

⚠ AVERTISSEMENT

Cancer et troubles de la fertilité - www.P65Warnings.ca.gov.

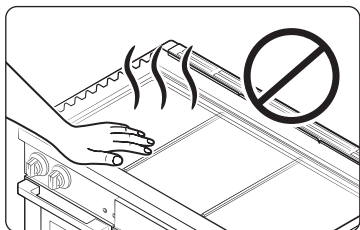
Commonwealth du Massachusetts

Ce produit doit être installé par un plombier agréé ou un installateur de gaz qualifié ou agréé par l'État du Massachusetts. Lorsque vous utilisez des vannes à bille pour couper le gaz, il faut utiliser le type à poignée en T. Il est interdit de raccorder en série plusieurs conduites de gaz flexibles.

Sécurité générale

⚠ AVERTISSEMENT

Pour réduire les risques d'incendie, d'électrocution, de blessures corporelles et/ou de décès, respectez les précautions suivantes.



- **Ne touchez** aucune partie de la cuisinière, y compris, mais sans s'y limiter, les brûleurs du four, les brûleurs de surface ou les surfaces intérieures pendant ou immédiatement après la cuisson.
- **Repérez** la vanne d'arrêt du gaz et sachez comment la fermer.
- **Assurez-vous que** le **dispositif anti-basculement** est correctement installé sur la cuisinière. Consultez les instructions d'installation pour obtenir des informations supplémentaires.
- **Ne laissez pas les enfants s'approcher de la cuisinière, y entrer ou y travailler.** Ne laissez pas les enfants jouer avec la cuisinière ou avec des parties de celle-ci. Ne laissez pas les enfants sans surveillance dans une zone où la cuisinière est en cours d'utilisation. Pour des raisons de sécurité, nous vous recommandons d'utiliser la fonction de verrouillage des commandes et des portes.

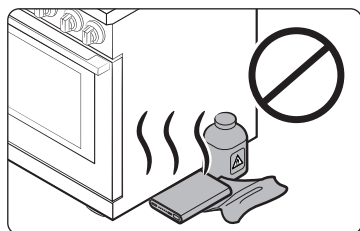
- **Retirez** tous les matériaux d'emballage de la cuisinière avant de la faire fonctionner afin d'éviter l'inflammation de ces matériaux. Gardez tous les matériaux d'emballage hors de portée des enfants. Mettez au rebut les matériaux d'emballage de manière appropriée après avoir déballé la cuisinière.
- **Ne rangez pas** d'objets susceptibles d'intéresser les enfants sur la table de cuisson ou sur le panneau arrière de la cuisinière. Les enfants qui grimpent sur la cuisinière pour atteindre des objets sont susceptibles de se retrouver tués ou gravement blessés.
- **Ne mettez pas** la cuisinière en marche si celle-ci ou une partie de celle-ci est endommagée, si elle fonctionne mal ou s'il manque des pièces.
- **N'utilisez pas** la cuisinière comme chauffage d'appoint. Cette cuisinière ne doit être utilisée que pour la cuisson.
- **N'utilisez pas** de nettoyant pour four ou de doublures de four à l'intérieur ou autour d'une partie du four.
- **Utilisez** uniquement des maniques sèches.
- **N'utilisez pas** la cuisinière pour chauffer des récipients alimentaires non ouverts.
- **Ne frappez pas** la vitre du four.
- Lorsque vous mettez la cuisinière au rebut, **coupez** le cordon d'alimentation et **retirez** la porte.
- **Débranchez** ou **coupez** l'alimentation électrique avant de procéder à l'entretien.
- **Veillez** à ce que la viande et la volaille soient bien cuites. La viande doit toujours être cuite à une température interne de 71 °C (160 °F). La volaille doit toujours être cuite à une température interne de 82 °C (180 °F).

Informations de sécurité importantes

Sécurité incendie

⚠ AVERTISSEMENT

Pour réduire les risques d'incendie, d'électrocution, de blessures corporelles et/ou de décès, respectez les précautions suivantes.



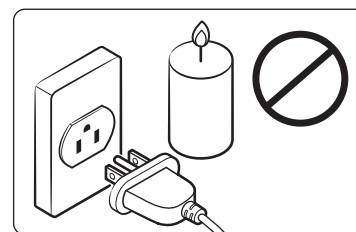
- **Ne rangez pas, ne placez pas et n'utilisez pas** de matériaux inflammables ou combustibles tels que du charbon de bois, du papier, du plastique, des maniques, du linge de maison, des rideaux, de l'essence ou d'autres vapeurs ou liquides inflammables à proximité ou à l'intérieur de la cuisinière.
 - **Ne portez pas** de vêtements amples ou flottants pendant l'utilisation de la cuisinière.
- Pour éviter l'accumulation de graisse, **nettoyez régulièrement** les fentes d'aération.
 - **Ne laissez pas** les maniques ou autres matériaux inflammables toucher un élément chauffant. N'utilisez pas de serviette ou tout autre tissu épais comme manique.
 - **N'utilisez pas** d'eau sur un feu de graisse. Pour éteindre un feu de graisse, éteignez la source de chaleur et étouffez le feu avec un couvercle hermétique ou utilisez un extincteur polyvalent, chimique sec ou un extincteur à mousse.
 - En cas de feu de graisse dans le four, **éteignez le four** en tournant le bouton de sélection du mode sur la position **Off** (Arrêt). Maintenez la porte du four fermée jusqu'à ce que le feu s'éteigne. Le cas échéant, **utilisez** un extincteur polyvalent, chimique sec ou un extincteur à mousse.
 - **Ne chauffez pas** de récipients alimentaires non ouverts – l'accumulation de pression peut faire éclater le récipient et entraîner des blessures.

Sécurité en matière de gaz

⚠ AVERTISSEMENT

Pour réduire les risques d'incendie, d'électrocution, de blessures corporelles et/ou de décès, respectez les précautions suivantes.

Si vous sentez une odeur de gaz :



- **Fermez la valve** et n'utilisez pas la cuisinière.
 - **N'allumez pas** d'allumettes, de bougie ou de cigarette.
 - **N'allumez pas** d'appareils électriques ou à gaz.
 - **Ne touchez pas** les interrupteurs électriques ou ne branchez pas le cordon d'alimentation dans une prise.
- **N'utilisez** aucun téléphone dans votre bâtiment.
 - **Évacuez** tous les occupants de la pièce, du bâtiment ou de la zone.
 - **Appelez immédiatement** votre compagnie de gaz avec le téléphone d'un voisin. Suivez les instructions de la compagnie de gaz.
 - Si votre compagnie de gaz n'est pas joignable, appelez les pompiers.

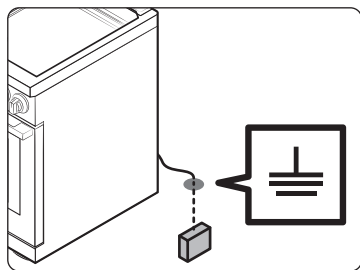
Vérification des fuites de gaz

La vérification de la présence de fuites dans l'appareil doit être effectuée selon les instructions du fabricant. **N'utilisez pas** de flamme pour vérifier s'il y a des fuites de gaz. Avec un pinceau, appliquez un mélange d'eau et de savon tout autour de la surface en question. S'il existe une fuite de gaz, vous verrez de petites bulles dans le mélange d'eau savonneuse à l'endroit de la fuite.

Sécurité électrique et mise à la terre

⚠ AVERTISSEMENT

Pour réduire les risques d'incendie, d'électrocution, de blessures corporelles et/ou de décès, respectez les précautions suivantes.



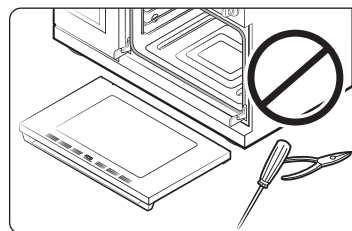
- Branchez sur une prise à trois broches mise à la terre.
 - **Ne retirez pas** la broche de terre.
 - **N'utilisez pas** d'adaptateur ou de rallonge.
 - **N'utilisez pas** une prise ou un cordon d'alimentation endommagés, ni une prise électrique mal fixée.
 - **Ne modifiez pas** la fiche, le cordon ou la prise d'alimentation de quelque façon que ce soit.
- **Ne placez pas** de fusible dans un circuit neutre ou de mise à la terre.
 - Utilisez un circuit électrique dédié de 120 volts, 60 Hz, 12,5 ampères, CA, avec fusible pour cette cuisinière. L'utilisation d'un fusible à retardement ou d'un disjoncteur est recommandée. Ne branchez pas plus d'un appareil sur ce circuit.
 - **Ne branchez pas** le fil de terre à des conduites en plastique de plomberie, de gaz ou d'eau chaude.
 - Cette cuisinière **doit être mise à la terre**. En cas de dysfonctionnement ou de panne, la mise à la terre réduira le risque de choc électrique en prévoyant un chemin pour le courant électrique. Cette cuisinière est équipée d'un cordon avec une fiche de mise à la terre. La fiche doit être fermement branchée dans une prise de courant correctement installée et mise à la terre, conformément aux codes et règlements locaux. Si vous n'êtes pas sûr que votre prise électrique est correctement mise à la terre, faites-la vérifier par un électricien agréé.
 - La cuisinière est fournie avec une fiche à 3 broches avec mise à la terre. Ce cordon doit être branché dans une prise à 3 broches avec mise à la terre, conforme à l'ensemble des codes et des règlements locaux. Si les codes permettent l'utilisation d'un fil de terre séparé, nous recommandons qu'un électricien qualifié détermine le chemin approprié pour ce fil de terre.

- L'alimentation électrique de la cuisinière doit être conforme aux codes locaux. En l'absence de codes locaux, il doit être conforme à la norme ANSI/NFPA n° 70 – Dernière révision (pour les États-Unis) ou au Code canadien de l'électricité CSA C22.1 – Dernières révisions.
- Il est de la responsabilité personnelle du propriétaire de la cuisinière de fournir le service électrique correct pour cette cuisinière.

Sécurité de l'installation

⚠ AVERTISSEMENT

Pour réduire les risques d'incendie, d'électrocution, de blessures corporelles et/ou de décès, respectez les précautions suivantes.



Faites installer votre cuisinière et la mettre correctement à la terre par un **installateur qualifié**, conformément aux instructions d'installation. Tout réglage et entretien doit être effectué uniquement par des installateurs ou des techniciens qualifiés en matière de cuisinière à gaz.

- **N'essayez pas** d'entretenir, de modifier ou de remplacer votre cuisinière ou toute partie de celle-ci, sauf si cela est spécifiquement recommandé dans ce manuel. Tout autre entretien doit être confié à un technicien qualifié.
- Utilisez toujours des connecteurs flexibles neufs lors de l'installation d'un appareil à gaz. **N'utilisez pas** de vieux connecteurs flexibles.
- **Assurez-vous que** le dispositif anti-basculement est correctement installé sur la cuisinière. Consultez les instructions d'installation pour obtenir des informations supplémentaires.
- En raison de la taille et du poids de la cuisinière, demandez à **deux personnes ou plus** de la déplacer.
- **Retirez** tout le ruban adhésif et les matériaux d'emballage.
- **Retirez** tous les accessoires de la table de cuisson et du four. Les grilles sont lourdes. Soyez prudent lorsque vous les manipulez.
- **Assurez-vous** qu'aucune pièce ne s'est détachée pendant le transport.

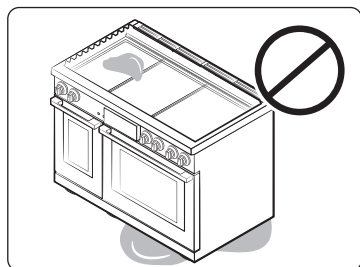
Informations de sécurité importantes

- **Assurez-vous** que votre cuisinière est correctement installée/réglée par un technicien de service ou un installateur qualifié pour le type de gaz (naturel ou GPL) que vous utiliserez. Pour que votre cuisinière puisse utiliser le gaz de pétrole liquéfié, l'installateur doit remplacer les 6 orifices des brûleurs de surface et les 2 orifices du four par le jeu d'orifices GPL fourni, et inverser l'adaptateur GPR. Ces réglages doivent être effectués par un technicien qualifié, conformément aux consignes du fabricant et à tous les codes et exigences de l'autorité compétente. L'agence qualifiée qui effectue ce travail assume la responsabilité de la conversion au gaz.
- L'installation de cette cuisinière doit être conforme aux codes locaux ou, en l'absence de codes locaux, au National Fuel Gas Code, ANSI Z223.1/NFPA.54, dernière édition. Au Canada, l'installation doit être conforme au Code d'installation du gaz naturel, CAN/CGA-B149.1, ou au Code d'installation du propane, CAN/CGA-B149.2, et aux codes locaux, le cas échéant. Cette cuisinière a été certifiée par ETL selon la norme ANSI Z21.1, dernière édition, et par l'Association canadienne du gaz selon la norme CAN/CGA-1.1, dernière édition.

Sécurité en matière d'emplacement

⚠ AVERTISSEMENT

Pour réduire les risques d'incendie, d'électrocution, de blessures corporelles et/ou de décès, respectez les précautions suivantes.



- Cette cuisinière est réservée à un usage intérieur et domestique. **N'installez pas** la cuisinière dans des endroits exposés aux intempéries et/ou à l'eau.
- **N'installez pas** la cuisinière dans un endroit exposé à un fort courant d'air.

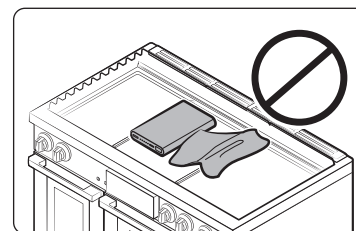
- Choisissez un sol plat, bien construit et capable de supporter le poids de la cuisinière. Les revêtements de sol synthétiques, comme le linoléum, doivent résister à des températures de 82 °C (180 °F) sans rétrécir, se déformer ou se décolorer. **N'installez pas** la cuisinière directement sur la moquette intérieure de la cuisine, sauf si une feuille de contreplaqué de ¼ pouce ou un isolant similaire est placé entre la cuisinière et la moquette.

- Choisissez un emplacement où une prise de courant à 3 broches avec mise à la terre est facilement accessible.
- Si la cuisinière est située près d'une fenêtre, **ne suspendez pas** de longs rideaux ou des stores en papier sur cette fenêtre.
- Pour que la cuisinière puisse être ventilée correctement, assurez-vous que les fentes d'aération de la cuisinière ne sont pas bloquées ou recouvertes et qu'il y a suffisamment d'espace libre en haut, à l'arrière, sur les côtés et sous la cuisinière. Les orifices de ventilation permettent l'échappement nécessaire au bon fonctionnement de l'appareil, à une combustion correcte et à l'obtention des résultats de cuisson escomptés.
- **Assurez-vous** que les revêtements muraux autour de la cuisinière peuvent résister à la température maximale générée par la cuisinière qui est de 90 °C (194 °F).
- Il faut éviter de placer des armoires de rangement au-dessus de la surface de la cuisinière. S'il est nécessaire de ranger les armoires au-dessus de la cuisinière, prévoyez un espace minimum de 76,2 cm (30 po) entre la surface de cuisson et le fond des armoires. Pour des informations détaillées, veuillez vous reporter à la **Dimensions minimales** section de la page 13.

Sécurité de la table de cuisson

⚠ AVERTISSEMENT

Pour réduire les risques d'incendie, d'électrocution, de blessures corporelles et/ou de décès, respectez les précautions suivantes.



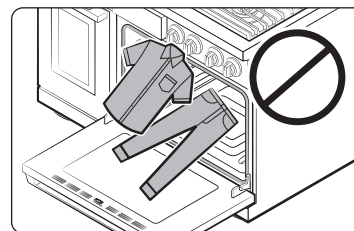
- **Assurez-vous** que tous les brûleurs sont éteints lorsqu'ils ne sont pas utilisés.
- **N'utilisez pas** de papier aluminium pour recouvrir les grilles ou toute autre partie de la table de cuisson.
- **Ne laissez pas** les brûleurs sans surveillance à température moyenne ou élevée.
- Avant d'allumer, **assurez-vous** que tous les chapeaux des brûleurs sont bien en place et que tous les brûleurs sont parfaitement horizontaux.
- Utilisez toujours la position **Lite** pour allumer les brûleurs et assurez-vous qu'ils se sont allumés. Si l'allumage échoue, tournez le bouton sur **Off** (arrêt) et attendez que le gaz se dissipe.
- Lorsque vous réglez un brûleur sur mijotage, **il ne faut pas tourner** le bouton rapidement. Assurez-vous que la flamme reste allumée.

- **Ne placez pas** d'autres objets que des ustensiles de cuisson sur la table de cuisson.
- Cette table de cuisson est conçue pour cuisiner avec un wok ou un anneau de wok. Si les aliments sont enflammés, ils ne devraient l'être que sous une hotte de ventilation en état de fonctionnement.
- Avant de retirer ou de changer d'ustensile de cuisson, éteignez les brûleurs.
- Retirez les aliments et les ustensiles de cuisine immédiatement après la cuisson.
- Avant de retirer une partie du brûleur pour le nettoyer, assurez-vous que la cuisinière est éteinte et complètement refroidie.
- Après nettoyage du diffuseur du brûleur, **assurez-vous** qu'il est complètement sec avant de le réassembler.
- **Assurez-vous** que la marque de l'étincelle sur le diffuseur de brûleur double est placé à côté de l'électrode lors de l'assemblage.
- Pour éviter tout empoisonnement au monoxyde de carbone, **ne versez pas** d'eau dans le puits de la table de cuisson pendant le nettoyage.
- Choisissez des ustensiles de cuisine conçus pour utilisation sur la cuisinière. Utilisez des ustensiles de cuisson suffisamment grands pour couvrir les grilles des brûleurs. Réglez les flammes du brûleur de façon à ce qu'elles ne dépassent pas le fond de l'ustensile de cuisson.
- Pour éviter la décoloration ou la déformation des ustensiles de cuisson ou une intoxication au monoxyde de carbone, **n'utilisez pas** d'ustensiles de cuisson beaucoup plus grands que la grille.
- **Assurez-vous** que les poignées des ustensiles de cuisson sont tournées vers le côté ou l'arrière de la table de cuisson, mais pas au-dessus des autres brûleurs de surface.
- Tenez-vous éloigné de la cuisinière pendant la friture.
- Faites toujours chauffer les huiles de friture lentement et surveillez-les pendant qu'elles chauffent. Si vous faites frire des aliments à feu vif, surveillez attentivement le processus de cuisson. Si une combinaison de graisses ou d'huiles doit être utilisée pendant la friture, mélangez-les avant de les mettre sur le feu.
- Utilisez un thermomètre de friteuse chaque fois que c'est possible. Cela évite de surchauffer la friteuse au-delà du point de fumage.
- Utilisez une quantité minimale d'huile pour la cuisson à la poêle ou la friture. Évitez de cuire des aliments non décongelés ou des aliments contenant une quantité excessive de glace.
- Avant de déplacer des ustensiles de cuisine remplis de graisses ou d'huiles, assurez-vous qu'ils ont complètement refroidi.
- Pour éviter tout risque de débordement après ébullition, laissez toujours les liquides chauds reposer au moins 20 secondes après avoir éteint le brûleur afin que leur température se stabilise. En cas de brûlure, suivez ces instructions de premiers secours :
 1. Plongez la zone échaudée dans de l'eau fraîche ou tiède pendant au moins 10 minutes.
 2. N'appliquez pas de crèmes, d'huiles ou de lotions.
 3. Couvrez avec un tissu propre et sec.

Sécurité du four

⚠ AVERTISSEMENT

Pour réduire les risques d'incendie, d'électrocution, de blessures corporelles et/ou de décès, respectez les précautions suivantes.



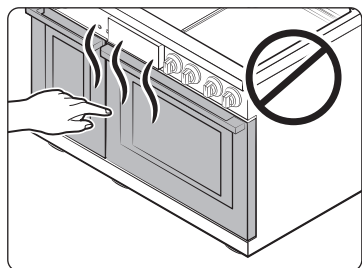
- **N'utilisez pas** le four à des fins autres que la cuisson, par exemple le séchage du linge ou le rangement. Utilisez le four uniquement pour la cuisson.
- **Assurez-vous que** la partie intérieure de la grille de four divisée est bien positionnée dans la grille extérieure.
- **Assurez-vous que** les grilles du four sont placées au même niveau de chaque côté.
- **N'endommagez pas, ne déplacez pas et ne nettoyez pas** le joint de la porte.
- **Ne vaporisez pas** d'eau sur la vitre du four lorsque celui-ci est allumé ou juste après l'avoir éteint.
- **N'utilisez pas** de papier aluminium ou de barquettes en aluminium dans le four. N'utilisez pas de papier d'aluminium ou de matériau similaire pour couvrir les trous ou les passages au fond du four ou pour couvrir une grille du four.
- Tenez-vous à l'écart du four lorsque vous ouvrez la porte du four.
- Assurez-vous que le four ne présente aucune accumulation de graisse.
- Lorsque vous repositionnez les grilles du four, **assurez-vous que** le four est complètement froid.
- **N'utilisez que** les ustensiles de cuisson recommandés pour les fours à gaz.
- Pour éviter d'endommager les boutons de commande des brûleurs, faites toujours cuire et/ou griller les aliments avec la porte du four fermée.
- **Ne faites pas griller** la viande trop près de la flamme du brûleur (ou du foyer). Coupez l'excès de graisse de la viande avant la cuisson.
- Lorsque vous utilisez des sacs de cuisson ou de rôtissage dans le four, suivez les instructions du fabricant.

Informations de sécurité importantes

Sécurité du four autonettoyant

⚠ AVERTISSEMENT

Pour réduire les risques d'incendie, d'électrocution, de blessures corporelles et/ou de décès, respectez les précautions suivantes.



La fonction d'autonettoyage fait fonctionner le four à des températures suffisamment élevées pour brûler les salissures alimentaires dans le four. La cuisinière est extrêmement chaude pendant un cycle d'autonettoyage.

Ne touchez aucune surface de la cuisinière pendant un cycle d'autonettoyage.

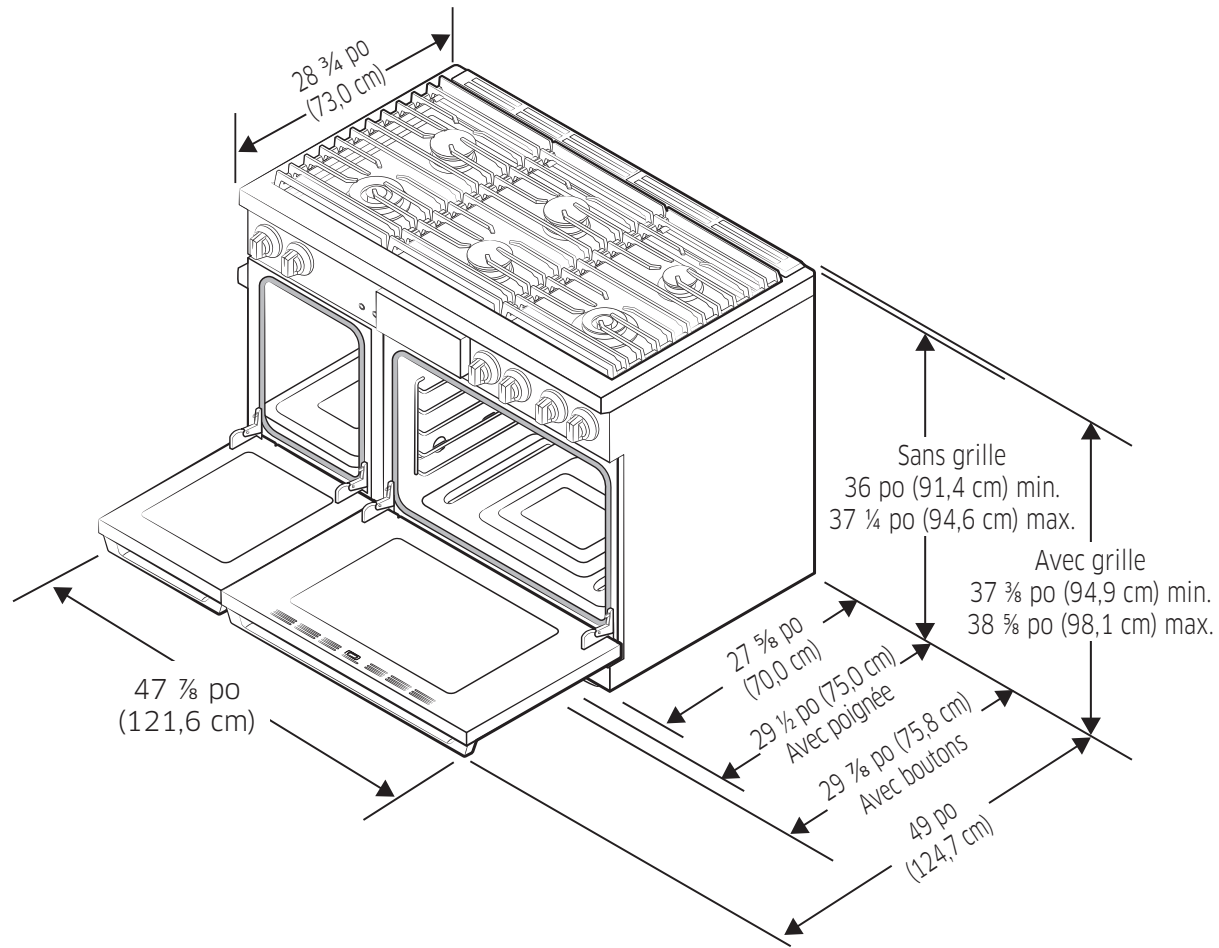
- Tenez les enfants éloignés du four pendant un cycle d'autonettoyage.
- Avant de lancer un cycle d'autonettoyage, **retirez** du four toutes les grilles, ustensiles de cuisson et ustensiles. Seules les grilles du four à revêtement en porcelaine peuvent être laissées dans le four.
- Avant de lancer un cycle d'autonettoyage, essuyez la graisse et les salissures alimentaires du four.
- Lorsque vous ouvrez la porte après un cycle d'autonettoyage, tenez-vous à l'écart du four.
- En cas de dysfonctionnement du cycle d'autonettoyage, éteignez le four, débranchez l'alimentation électrique et communiquez avec un technicien qualifié.

Composants de la cuisinière à gaz

Spécifications de la cuisinière à gaz

MODÈLE DOP48*960G*

Description	Table de cuisson à gaz
Dimensions générales	47 7/8 po (L) × 37 1/4 po (H) × 29 1/2 po (P) 1216 mm (L) × 946 mm (H) × 750 mm (P)
Électricité	Reportez-vous à l'étiquette de puissance nominale.
Gaz, GN (gaz naturel)	5 à 13 po DE COLONNE D'EAU
Gaz, PL (pétrole liquéfié)	10 à 13 po DE COLONNE D'EAU
Brûleurs de surface (GN)	(AvG) - 22 000 BTU / (AvD) - 16 000 BTU (ArG) - 22 000 BTU / (ArD) - 9 000 BTU (AvC) - 16 000 BTU / (ArC) - 16 000 BTU
Brûleurs de surface (GPL)	(AvG) - 16 000 BTU / (AvD) - 15 000 BTU (ArG) - 16 000 BTU / (ArD) - 9 500 BTU (AvC) - 15 000 BTU / (ArC) - 15 000 BTU
Brûleurs du four (GN)	Grillade 36 po (supérieur) - 18 000 BTU Cuisson 36 po (inférieur) - 25 000 BTU Grillade 12 po (supérieur) - 9 000 BTU Cuisson 12 po (inférieur) - 14 000 BTU
Brûleurs du four (GPL)	Grillade 36 po (supérieur) - 14 500 BTU Cuisson 36 po (inférieur) - 23 000 BTU Grillade 12 po (supérieur) - 7 000 BTU Cuisson 12 po (inférieur) - 12 500 BTU



Composants de la cuisinière à gaz

Conditions d'installation

Exigences relatives à l'emplacement

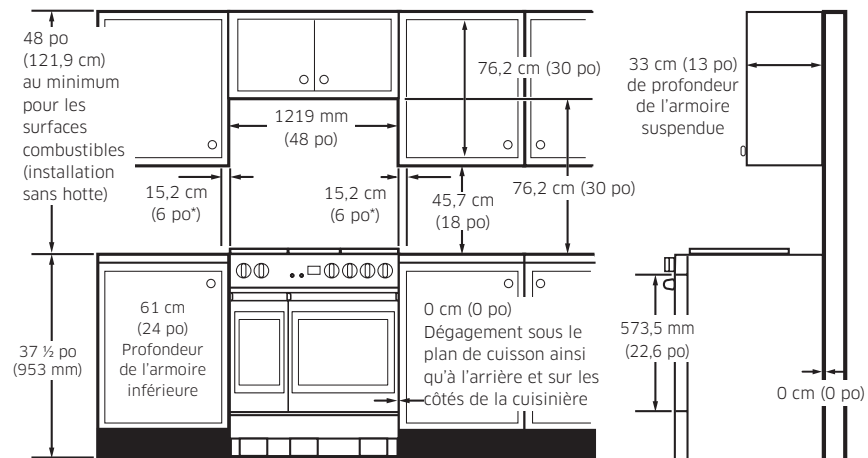
Dégagements et dimensions

REMARQUE

- Pour la hotte sur la cuisinière à gaz, veuillez suivre les règlements locaux en matière de gaz.
- **AVANT DE COMMENCER** à installer cet appareil, consultez les informations, les dimensions et les dégagements suivants. **Ne placez pas la cuisinière dans un endroit susceptible d'être exposé à de forts courants d'air.** Prévoyez des dégagements adéquats entre la cuisinière et les surfaces combustibles adjacentes. Ces dimensions doivent être respectées pour une utilisation sans danger de la cuisinière. L'emplacement de la prise électrique et de la tuyauterie de gaz peut être ajusté pour respecter les dimensions et les dégagements suivants.
- Pour l'installation au Canada, une cuisinière non encastrable ne doit pas être installée à moins de 12 cm (4,7 po) de toute surface adjacente.
- Les installations sans hotte exigent un dégagement minimal de 48 po pour les surfaces combustibles. Une installation de hotte personnalisée avec des surfaces combustibles horizontales exposées doit être munie d'une fonction de mise en marche automatique. Consultez les instructions d'installation des hottes pour connaître les dégagements spécifiques pour la hotte.

ATTENTION

Cette cuisinière a été conçue pour être conforme à la température maximale autorisée pour les éléments de rangement en bois, soit 90 °C (194 °F). Assurez-vous que le revêtement mural, les comptoirs et les armoires autour de la cuisinière peuvent résister à la température maximale générée par la cuisinière qui est de 90 °C (194 °F). Si ce n'est pas le cas, une décoloration, une délamination ou une fonte peuvent survenir.



* Dégagement latéral au-dessus de la surface de cuisson par rapport à tout objet, par exemple un mur.

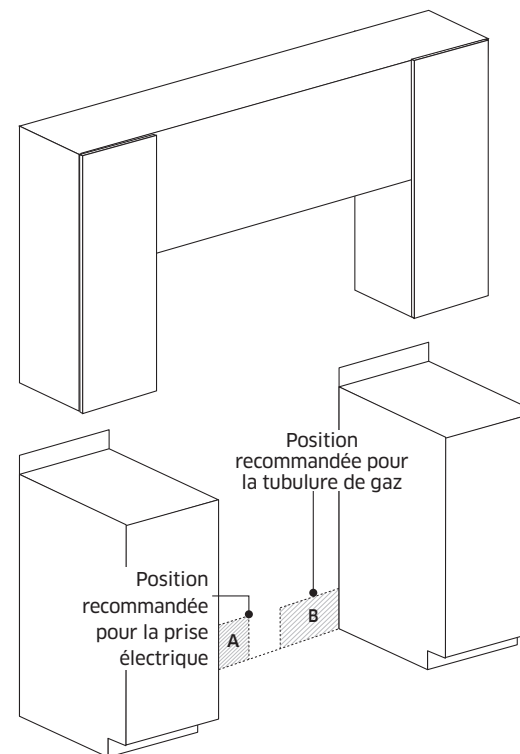
Dimensions minimales

⚠ ATTENTION

- Si des armoires suspendues sont installées, une hotte doit également être installée et dépasser horizontalement d'au moins 12,7 cm (5 po) l'avant des armoires. La hotte est nécessaire pour dissiper toute accumulation de chaleur dans les armoires suspendues afin d'éviter tout risque d'incendie, de blessure et/ou de décès. La hotte de ventilation doit être construite en tôle d'au moins 0,0122 po d'épaisseur et installée au-dessus de la table de cuisson avec un dégagement d'au moins ¼ po entre la hotte et le dessous du matériau combustible ou de l'armoire métallique. La hotte doit être au moins aussi large que l'appareil et centrée sur l'appareil. Le dégagement entre la surface de cuisson et la surface de la hotte de ventilation ne doit jamais être inférieur à 24 po.
- **Exception 1** : L'installation d'un four à micro-ondes ou d'un appareil de cuisson répertorié au-dessus de la table de cuisson doit être conforme au manuel d'installation fourni avec l'appareil.
 - Un dégagement minimal de 76,2 cm (30 po) entre le dessus de la surface de cuisson et le fond d'une armoire en bois ou en métal non protégée ; ou si un dégagement de 76,2 cm (30 po) n'est pas possible, un minimum de 61 cm (24 po) peut être utilisé lorsque le fond de l'armoire en bois ou en métal est protégé par au moins 0,64 cm (¼ po) de panneau de particules ignifugées recouvert d'au moins une tôle d'acier MSG n° 28, d'acier inoxydable de 0,038 cm (0,015 po), d'aluminium de 0,061 cm (0,024 po) ou de cuivre de 0,051 cm (0,020 po).
 - Un dégagement minimal de 45,7 cm (18 po) entre le comptoir et le fond de l'armoire adjacente.
- **Exception 2** : Pour l'installation d'un îlot, maintenez un minimum de 2½ po de la découpe au bord arrière du comptoir et un minimum de 4 po de la découpe aux bords latéraux du comptoir.

Guide d'installation

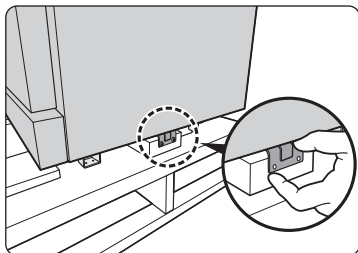
Emplacements recommandés pour les conduites de gaz et les prises électriques



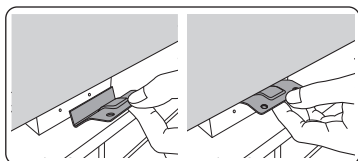
Modèle	DOP48*960G*
A	Prise électrique 9 7/8 po (L) X 6 7/8 po (H) (25,1 cm x 17,5 cm)
B	Conduites de gaz 17 15/16 po (L) X 5 3/8 po (H) (45,5 cm x 13,8 cm)

Conditions d'installation

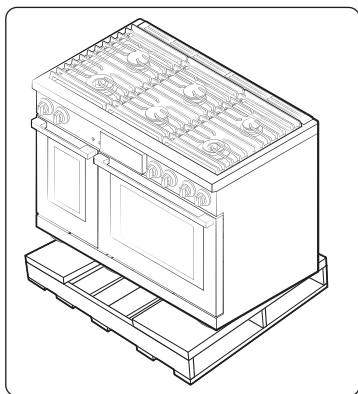
Pour retirer la cuisinière de la palette en toute sécurité



1. Retirez les vis du support inférieur de chaque côté et à l'arrière de l'appareil.

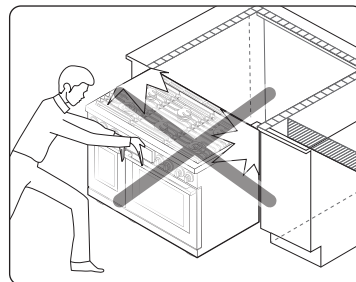


2. Appuyez sur le support de chaque côté pour le retirer.



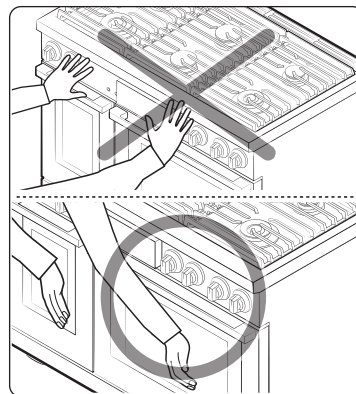
3. Retirez la palette et le matériel d'emballage. Veillez à ne pas tenir la poignée de la porte.

Pour éviter tout bris



⚠ ATTENTION

- Veuillez **NE PAS** exercer une forte pression sur l'unité lors de l'installation. Ces actions peuvent causer des dommages à l'unité.



- Tenez la partie supérieure gauche/droite de la porte (pas la poignée) avec les deux mains et poussez l'unité. Ne saisissez pas la poignée de la porte.

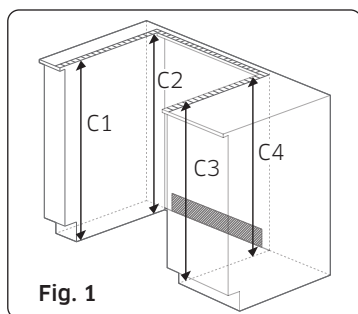


Fig. 1

1. Le comptoir autour de la découpe doit être plat et à niveau (voir la zone hachurée de la figure 1).
2. Avant d'installer l'unité, mesurez les hauteurs des deux côtés de l'armoire (C1-C4), à l'avant et à l'arrière (voir figure 1), du sol au haut du comptoir.
3. Mettez la cuisinière à niveau à l'aide des quatre pieds de mise à niveau de sorte que la hauteur entre le plancher et le dessus du cadre de la table de cuisson soit de niveau avec les comptoir.
4. Faites glisser l'appareil dans l'armoire (**NE PAS EXERCER UNE FORTE PRESSION SUR L'APPAREIL**). Assurez-vous que le centre de l'unité est aligné avec le centre de la découpe de l'armoire.

Exigences en matière de gaz

Fournissez une alimentation en gaz adéquate

Cette cuisinière est conçue pour fonctionner à une pression de 13 cm (5 po) de colonne d'eau sur le gaz naturel ou de 25 cm (10 po) de colonne d'eau sur le GPL (propane ou butane).

Assurez-vous que vous alimentez votre cuisinière avec le type de gaz pour lequel elle est conçue.

N'essayez pas de convertir l'appareil en utilisant un gaz différent de celui indiqué dans ce manuel sans consulter la compagnie de gaz.

Cette cuisinière est convertible pour une utilisation au gaz naturel ou au gaz propane. Si vous décidez d'utiliser cette cuisinière au GPL, la conversion doit être effectuée par un installateur GPL qualifié avant toute tentative d'utilisation de la cuisinière.

Pour un bon fonctionnement, la pression du gaz naturel fournie au régulateur doit être comprise entre 13 cm et 33 cm (6 po et 13 po) de colonne d'eau. En ce qui concerne le GPL, la pression fournie doit être comprise entre 25 cm et 33 cm (11 po et 13 po) de colonne d'eau.

Lorsque vous contrôlez le bon fonctionnement du régulateur, la pression d'entrée doit être supérieure d'au moins 2,5 cm (1 po) à la pression de fonctionnement (collecteur) indiquée.

Le régulateur de pression situé à l'entrée du collecteur de la cuisinière doit rester dans la conduite d'alimentation, que l'on utilise du gaz naturel ou du GPL. Un connecteur métallique flexible utilisé pour raccorder la cuisinière à la conduite d'alimentation en gaz doit avoir un diamètre intérieur de 1,3 cm (0,5 po) et une longueur de 152 cm (5 pi) pour faciliter l'installation. Au Canada, les connecteurs flexibles doivent être des connecteurs métalliques à paroi simple et ne pas dépasser 183 cm (6 pi) de longueur.

Ne pliez pas et n'endommagez pas le tube métallique flexible lorsque vous déplacez la cuisinière.

Conditions d'installation

Exigences particulières en matière de gaz (modèles à gaz vendus dans le Massachusetts)

EXIGENCES DU COMMONWEALTH DU MASSACHUSETTS :

⚠ AVERTISSEMENT

- Il peut y avoir des fuites de gaz dans votre système, entraînant un danger.
 - Les fuites de gaz ne sont pas toujours détectables à l'odeur uniquement.
 - Les compagnies de gaz vous recommandent d'acheter et d'installer un détecteur de gaz homologué UL. Le détecteur de gaz doit être installé conformément aux instructions du fabricant.
- La cuisinière doit être installée par un plombier ou un installateur de gaz qualifié par l'État du Massachusetts.
- Une vanne de gaz manuelle à poignée en T DOIT être installée sur la conduite d'alimentation en gaz de votre cuisinière.
- Si vous utilisez un connecteur de gaz flexible pour installer votre cuisinière, il est interdit de raccorder en série plusieurs conduites de gaz flexibles.

Exigences électriques

⚠ AVERTISSEMENT

Pour réduire les risques d'incendie, de décharge électrique ou de blessures :

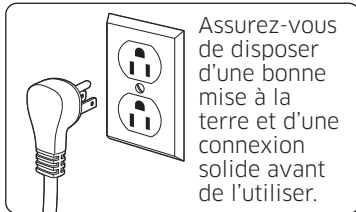
Toutes les cuisinières

- N'utilisez pas de rallonge ou de fiche d'adaptation pour cette cuisinière.
- Cette cuisinière doit être correctement mise à la terre.
- En cas de doute, consultez un électricien qualifié pour savoir si votre cuisinière est correctement mise à la terre.
- Ne modifiez pas la fiche fournie avec votre cuisinière – si elle ne convient pas à la prise, faites installer une prise appropriée par un électricien qualifié.
- Tout le câblage et la mise à la terre doivent être effectués conformément aux codes locaux ou, à défaut, au Code national de l'électricité, ANSI/NFPA No 70 – Dernière révision (pour les États-Unis) ou au Code canadien de l'électricité CSA C22.1 – Dernières révisions et aux codes et règlements locaux.
- Le schéma de câblage est situé à l'arrière de la cuisinière. (à l'intérieur de la protection arrière du câblage)
- Cette cuisinière est équipée d'un système d'allumage électronique qui ne fonctionnera pas si elle est branchée dans une prise qui n'est pas correctement polarisée.

Modèles à gaz

- Tous les modèles à gaz sont équipés d'un cordon d'alimentation avec un conducteur de mise à la terre et une fiche de mise à la terre.
- Un service électrique approuvé de 120 V, 60 Hz, CA, avec un disjoncteur de 12,5 ampères ou un fusible à retardement est nécessaire pour tous les modèles américains et canadiens.
- Vérifiez la présence d'une décharge de traction de 1,9 cm (¾ po) homologuée UL à l'endroit où le cordon d'alimentation sort de l'armoire de la cuisinière.
- Ne réutilisez pas un cordon d'alimentation électrique provenant d'une ancienne cuisinière ou d'un autre appareil.
- Le câblage d'alimentation électrique du cordon d'alimentation doit être retenu au niveau de l'armoire de la cuisinière à l'aide d'un dispositif de décharge de traction approprié homologué UL.
- Un fusible à retardement ou un disjoncteur est également recommandé.

Mise à la terre



- Toutes les cuisinières doivent être mises à la terre pour votre sécurité.
- Tous les modèles à gaz sont équipés d'un cordon d'alimentation avec un conducteur de mise à la terre et une fiche de mise à la terre.

- La fiche doit être fermement branchée dans une prise à trois broches correctement installée et mise à la terre, conformément à l'ensemble des codes et des règlements locaux. En cas de dysfonctionnement ou de panne, la mise à la terre diminuera le risque de choc électrique en prévoyant un chemin pour le courant électrique.
- Ne pas utiliser de fiche d'alimentation endommagée ou une prise murale mal fixée.
- N'utilisez pas de rallonge ou d'adaptateur pour cet appareil.
- Ne coupez pas, ne modifiez pas, n'enlevez pas ou ne défaites en aucun cas la (troisième) broche de mise à la terre du cordon d'alimentation. Si la fiche et la prise ne correspondent pas ou si vous avez un doute, demandez à un électricien qualifié d'installer la prise appropriée. Le client doit faire vérifier la prise murale et le circuit par un électricien qualifié afin de s'assurer que la prise est correctement mise à la terre. Les disjoncteurs de fuite à la terre (GFCI) ne sont ni nécessaires ni recommandés pour les prises de la cuisinière à gaz.
- **NE JAMAIS** brancher le fil de terre sur des conduites de plomberie en plastique, des conduites de gaz ou des conduites d'eau.

⚠ ATTENTION

Le non-respect de ces instructions peut entraîner la mort, un incendie ou un choc électrique.

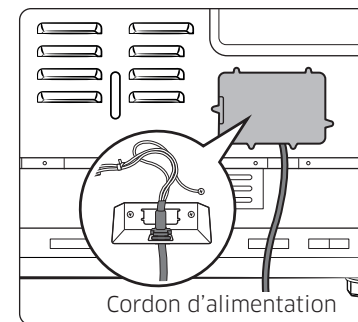
Situations d'utilisation dans le cadre desquelles le cordon d'alimentation de l'appareil doit être débranché fréquemment

N'utilisez pas d'adaptateur dans ces situations, car le fait de débrancher le cordon d'alimentation exerce une pression sur l'adaptateur et entraîne une défaillance éventuelle de la borne de masse de l'adaptateur. En présence d'une prise murale standard à deux broches, il est de la responsabilité et de l'obligation personnelle du client de la faire remplacer par une prise à trois broches (mise à la terre) par un électricien qualifié avant d'utiliser l'appareil.

Conditions d'installation supplémentaires pour les maisons mobiles

L'installation d'appareils conçus pour les maisons mobiles doit être conforme à la norme sur la construction et la sécurité des maisons mobiles (Manufactured Home Construction and Safety Standard), article 24 CFR (Code of Federal Regulations), partie 3280 (anciennement la norme fédérale sur la construction et la sécurité des maisons mobiles, article 24, HUD (Département du Logement et du Développement urbain), partie 280) ou, lorsque cette norme n'est pas applicable, à la norme sur les installations de maisons mobiles (Manufactured-Home Installations), dernière édition (sites, communautés et installations de maisons mobiles), ANSI A225.1, dernière édition, ou aux codes locaux. Au Canada, l'installation des maisons mobiles doit être conforme au Code d'installation des maisons mobiles CAN/CSA Z240/MH en vigueur.

Emplacement du cordon d'alimentation

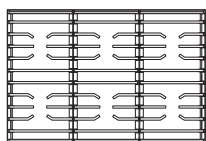


Le cordon d'alimentation de cet appareil est situé à l'arrière de la cuisinière, près du milieu de la partie inférieure. Le cordon d'alimentation de 200 cm (79 po) est installé sur la cuisinière et collé à l'arrière pour l'expédition.

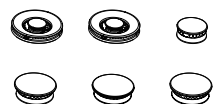
Outils et matériel

Contenu de la boîte

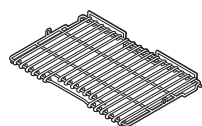
Pièces fournies



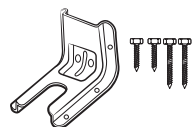
Grilles (3)



Têtes de brûleur (6) et chapeaux de brûleur (8)



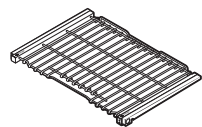
Grille métallique (1)



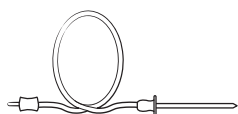
Trousse de support anti-basculement



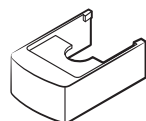
Anneau de wok (1)



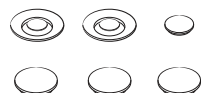
Grilles de glissement (2)



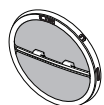
Sondes de température (2)



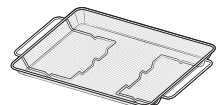
Couvre-pieds avant (3)



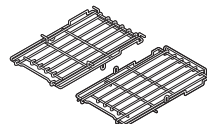
Chapeaux de brûleur en laiton (8)



Filtres à convection (3)



Plateau pour friture par application d'air (1)



Petites grilles (2)

REMARQUE

- Assurez-vous que vous avez reçu toutes les pièces fournies indiquées ci-dessus.
- Si votre cuisinière a été endommagée lors de l'expédition ou si vous n'avez pas toutes les pièces fournies, communiquez avec votre revendeur local.

Pièces nécessaires



Vanne d'arrêt de la conduite de gaz



Connecteur métallique flexible pour appareils ménagers 1/2 po (DI) x 5 pi



Adaptateur pour raccord évasé 3/4 po ou 1/2 po (NPT) x 1/2 po (DI)



Adaptateur pour raccord évasé 1/2 po (NPT) x 1/2 po (DI)



Coude à 135 degrés (en option)



Boulon de calage ou ancrage à manchon 1/2 po (DE)

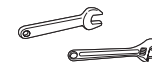
Outils nécessaires



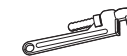
Tournevis plat



Tournevis cruciforme



Clé ouverte ou réglable



Clé à tuyau (2)



Crayon et règle



Niveau



Composé pour joints de tuyaux



Tourne-écrou



Couteau universel



Eau savonneuse



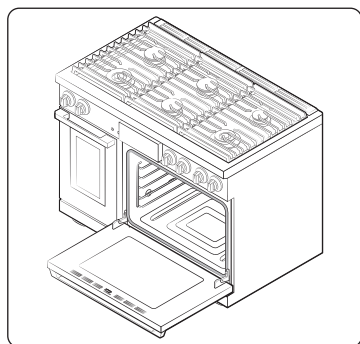
Perceuse avec une mèche de 1/8 po ou 3/16 po

Instructions d'installation

Installation de votre cuisinière à gaz

REMARQUE

- **IMPORTANT** : Veuillez lire complètement et attentivement les instructions suivantes, ainsi que la section Consignes de sécurité importantes au début de ce manuel, AVANT d'installer et/ou d'utiliser la cuisinière à gaz. Une mauvaise installation, un mauvais réglage, un entretien ou une réparation inadéquats peuvent provoquer des blessures ou des dégâts matériels.



- Pour commander des pièces ou des accessoires, communiquez avec votre revendeur local ou reportez-vous à la dernière page.
- Pour garantir une installation correcte, nous vous recommandons vivement de faire appel à un installateur professionnel.

Étape 1 : Déballez la cuisinière

Retirez tous les matériaux d'emballage. Si vous ne retirez pas les matériaux d'emballage, vous risquez d'endommager l'appareil.

Faites l'inventaire de toutes les « Pièces fournies » en vous référant à la liste de la page 18.

Vérifiez si l'appareil n'a pas été endommagé lors du transport et/ou s'il manque des pièces. Tout dommage et/ou pièce manquante doit être signalé à votre revendeur local.

Étape 2 : Branchement de la cuisinière à l'alimentation en gaz

Fermez la vanne principale d'alimentation en gaz avant de débrancher l'ancienne cuisinière et laissez-la fermée jusqu'à ce que le nouveau branchement soit terminé. N'oubliez pas de rallumer la veilleuse des autres appareils à gaz lorsque vous rallumez le gaz.

Étant donné que la tuyauterie rigide limite le mouvement de la cuisinière, il est recommandé d'utiliser un raccord métallique flexible homologué CSA International, à moins que les codes locaux n'exigent un raccord rigide.

ATTENTION

- Le non-respect des informations contenues dans ce manuel peut provoquer un incendie ou une explosion peut se produire et entraîner la mort, des blessures ou des dommages matériels.
- Veillez à ne pas conserver ni utiliser d'essence ou d'autres vapeurs ou liquides inflammables près de cet appareil ou de tout autre appareil.
- QUE FAIRE SI VOUS SENTEZ UNE ODEUR DE GAZ :
 - N'allumez PAS d'allumettes, de bougie ou de cigarette.
 - N'essayez PAS de mettre un appareil en marche.
 - NE PAS toucher aux interrupteurs électriques.
 - N'utilisez aucun téléphone dans votre bâtiment.
 - Évacuez tous les occupants de la pièce, du bâtiment ou de la zone.
 - Appelez immédiatement votre compagnie de gaz avec le téléphone d'un voisin. Suivez les instructions de la compagnie de gaz.
 - Si votre compagnie de gaz n'est pas joignable, appelez les pompiers.
- L'installation et l'entretien doivent être effectués par un installateur qualifié, un organisme de service ou la compagnie de gaz.
- N'utilisez jamais un ancien raccord lors de l'installation d'une nouvelle cuisinière. Si vous utilisez la méthode de raccordement rigide, vous devez aligner soigneusement le tuyau ; la cuisinière ne peut plus être déplacée une fois le raccordement effectué.
- Pour éviter les fuites de gaz, appliquer de la pâte à joint ou envelopper de téflon tous les filetages mâles (externes) des tuyaux.

Instructions d'installation

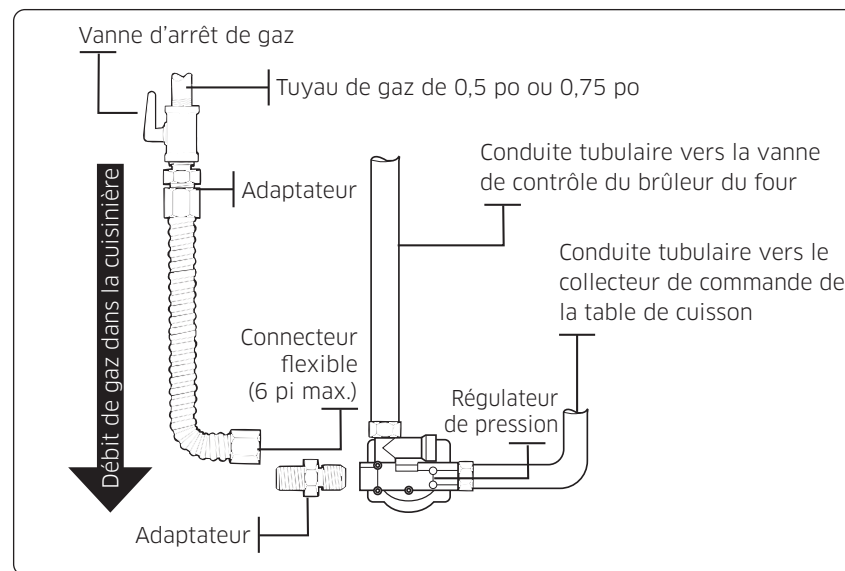
1. Installez une vanne d'arrêt manuelle sur la conduite de gaz, à un endroit facilement accessible à l'extérieur de la cuisinière.
Assurez-vous que toute personne utilisant la cuisinière sait où et comment couper l'alimentation en gaz de la cuisinière.
2. Installez l'adaptateur pour raccord évasé mâle de 1,3 cm (0,5 po) sur le filet interne NPT de 1,3 cm (0,5 po) à l'entrée du régulateur.
Utilisez une clé de secours sur le raccord du régulateur pour éviter de l'endommager.
Lorsque vous installez la cuisinière par l'avant, retirez le coude à 90 ° pour faciliter l'installation.
3. Installez l'adaptateur pour raccord évasé mâle de 1,3 mm (0,5 po) ou 1,9 mm (0,75 po) sur le filet interne NPT de la vanne d'arrêt manuelle, en prenant soin de la soutenir afin de l'empêcher de tourner.
4. Branchez le connecteur métallique flexible de l'appareil à l'adaptateur de la cuisinière. Positionnez la cuisinière pour permettre le raccordement à la vanne d'arrêt.
5. Une fois tous les raccordements effectués, assurez-vous que toutes les commandes de la cuisinière sont en position off (arrêt) et ouvrez la vanne principale d'alimentation en gaz. Utilisez un détecteur de fuites liquides à tous les joints et raccords pour vérifier l'absence de fuites dans le système.

⚠ AVERTISSEMENT

- Pour éviter tout risque de décès, de blessure, d'explosion et/ou d'incendie, n'utilisez pas de flamme pour vérifier la présence de fuites de gaz.
- Si vous utilisez des pressions d'essai supérieures à ½ psig pour tester la pression du système d'alimentation en gaz de la résidence, débranchez la cuisinière et la vanne d'arrêt individuelle de la tuyauterie d'alimentation en gaz. Si vous utilisez des pressions d'essai inférieures ou égales à ½ psig pour tester le système d'alimentation en gaz, isolez simplement la cuisinière du système d'alimentation en gaz en fermant la vanne d'arrêt individuelle.
- Ne dépassez pas un couple de serrage de 25 pi/lb lorsque vous effectuez les raccordements de la conduite de gaz. Un serrage excessif peut fissurer le régulateur de pression et provoquer une fuite de gaz.

Raccordement du connecteur flexible

Installateur : Indiquer au consommateur l'emplacement de la vanne d'arrêt du gaz.



📖 REMARQUE

- Si votre région exige un raccordement à un tuyau rigide, communiquez avec un installateur qualifié, un organisme de service ou une compagnie de gaz.
- La vanne d'arrêt de gaz doit être installée dans un endroit accessible de la tuyauterie de gaz, à l'extérieur de l'appareil, afin d'ouvrir ou de fermer le gaz à l'appareil.

Étape 3 : Conversion au gpl (en option)

Toutes les nouvelles cuisinières à gaz sortent réglées de l'usine pour fonctionner au gaz naturel.

Cette cuisinière à gaz Dacor peut être convertie pour utiliser du gaz propane. (Communiquez avec un technicien d'entretien qualifié).

Le processus de conversion ne doit être effectué que par un installateur GPL qualifié. Les instructions de conversion et les orifices de PL sont fournis avec le kit de conversion PL. La conversion au GPL nécessite le remplacement de tous les orifices des brûleurs (6 brûleurs de surface et 2 brûleurs de four).

De plus, la buse du régulateur de pression de gaz doit être inversée. Tous les orifices remplacés doivent être laissés au consommateur, y compris les instructions ainsi que les dimensions et l'indication des orifices.

**TAILLE DES ORIFICES DE BRÛLEUR ET PUISSANCE NOMINALE
(Gaz PL [Propane] 10 po de colonne d'eau)**

Emplacement du brûleur	Taux BTU	Taille de l'orifice [mm]
LF	16 000	Entrée 0,46/Sortie 0,78*2
LR	15 000	1,04/0,50
RF	16 000	Entrée 0,46/Sortie 0,78*2
RR	9 500	0,78/0,50
CF	15 000	1,04/0,50
CR	15 000	1,04/0,50
Grillade	36 po : 14 500, 12 po : 7 000	36 po : 0,79*2, 12 po : 0,79
Cuisson	36 po : 23 000, 12 po : 12 500	36 po : 1,40, 12 po : 1,04

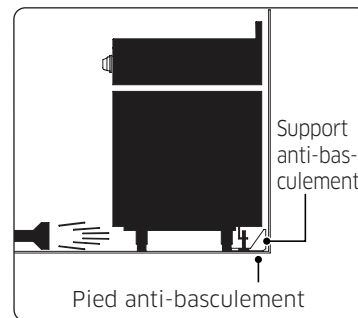
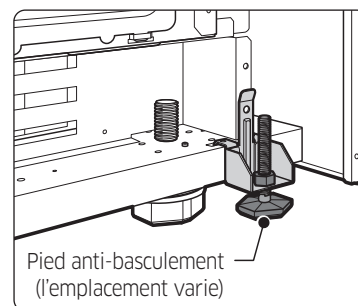
**TAILLE DES ORIFICES DE BRÛLEUR ET PUISSANCE NOMINALE
(Gaz naturel 5 po de colonne d'eau)**

Emplacement du brûleur	Taux BTU	Taille de l'orifice [mm]
LF	22 000	Entrée 0,85/Sortie 1,36*2
LR	16 000	1,60/0,68
RF	22 000	Entrée 0,85/Sortie 1,36*2
RR	9 000	1,20/0,61
CF	16 000	1,60/0,68
CR	16 000	1,60/0,68
Grillade	36 po : 18 000, 12 po : 9 000	36 po : 1,30*2, 12 po : 1,30
Cuisson	36 po : 25 000, 12 po : 14 000	36 po : 2,43, 12 po : 1,60

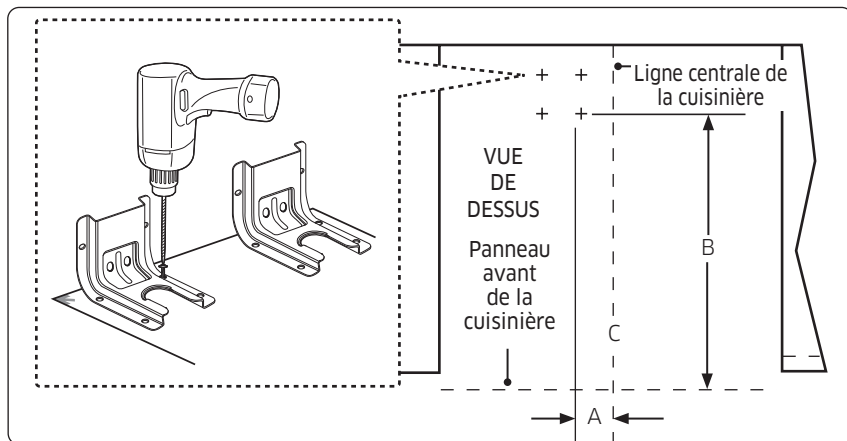
Étape 4 : Installation du dispositif anti-basculement

⚠ AVERTISSEMENT

- Pour réduire le risque de basculement, l'appareil doit être sécurisé en installant correctement le dispositif anti-basculement fourni avec l'appareil.
- Toutes les cuisinières peuvent basculer et entraîner des blessures corporelles.
- Les cuisinières qui basculent peuvent provoquer des brûlures dues à des déversements, des blessures et/ou la mort.
- Pour éviter tout basculement accidentel, installez et vérifiez le support anti-basculement.

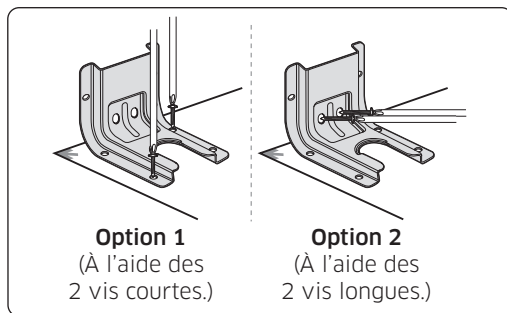


Instructions d'installation

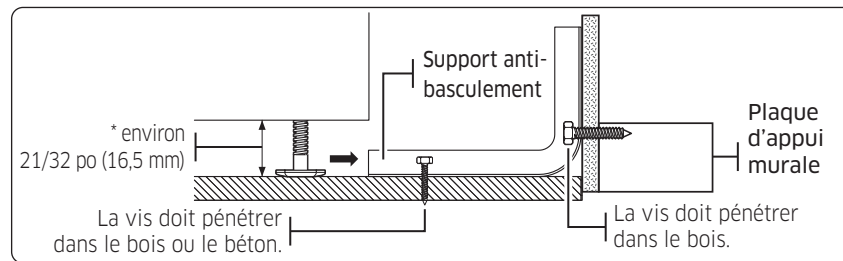


1. Si le support doit être monté sur un plancher en bois, utilisez une perceuse avec une mèche de 1/8 po pour percer les quatre trous.
Si le support doit être monté sur un plancher en ciment ou en céramique, utilisez une perceuse avec une mèche de 3/16 po pour les quatre trous.

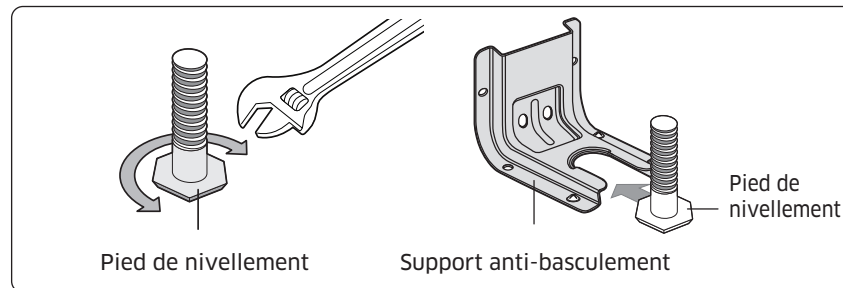
PLACEMENT DU SUPPORT ANTI-BASCULEMENT	
Dim.	DOP48*960**
A	6 1/4 po (15,9 cm)
B	23 7/8 po (60,7 cm)



2. Alignez les trous du support anti-basculément avec les trous du sol ou de la plaque murale, comme indiqué dans les options 1 et 2. Fixez le support en place à l'aide d'un tournevis cruciforme et en utilisant deux des quatre vis fournies.



3. Mettez la cuisinière à niveau en réglant les pieds à l'aide d'une clé. Utilisez un niveau à bulle pour vérifier vos réglages. Branchez le cordon d'alimentation dans la prise de terre. Remettez la cuisinière en position. Pour vérifier visuellement que la patte de mise à niveau arrière est insérée dans le support, saisissez le bord supérieur arrière de la cuisinière et essayez délicatement de l'incliner vers l'avant.



REMARQUE

Pour installer le support anti-basculément, libérez le pied de nivellement à l'aide d'une clé à tuyau, car du Loctite est appliqué sur le boulon pour le déverrouillage par vibration. Un dégagement minimal de 1 3/8 po (35,1 mm) est nécessaire entre le fond de la cuisinière et le plancher de la cuisine.

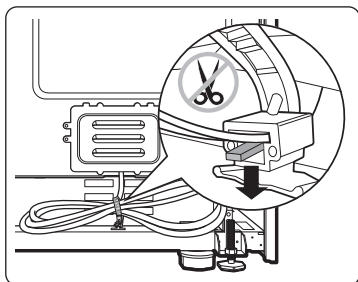
Pour vérifier si le support est bien installé et enclenché, retirez le panneau de protection et regardez sous la cuisinière pour voir si le pied de nivellement est enclenché dans le support. Faites basculer la cuisinière vers l'avant avec précaution. Le support devrait arrêter la cuisinière à moins de 10,2 cm (4 pouces) de basculement. Si ce n'est pas le cas, il doit être réinstallé.

Si la cuisinière est retirée du mur pour une raison quelconque, répétez toujours cette procédure pour vérifier si la cuisinière est correctement fixée par le support anti-basculément. Ne retirez jamais complètement les pieds de nivellement, sinon la cuisinière ne sera pas correctement fixée au dispositif anti-basculément.

Étape 5 : Branchement et pose

⚠ AVERTISSEMENT

- **AVANT L'UTILISATION OU LE TEST, respectez les exigences de mise à la terre indiquées aux pages 16-17 de ce manuel. Tout branchement non conforme de la fiche de mise à la terre peut entraîner un risque d'électrocution.**
- **Toutes les cuisinières à gaz sont équipées d'un cordon d'alimentation.** Le cordon d'alimentation est branché à l'arrière de la cuisinière. Veuillez consulter la rubrique « Exigences électriques » aux pages 16 - 17.
- Tous les modèles américains et canadiens sont produits avec un système électrique à 3 fils, 120 V, 60 Hz. L'ensemble du système, y compris le cordon d'alimentation, est préinstallé et précâblé en usine. Toute modification d'une partie de ce système peut entraîner un court-circuit ou une surcharge.

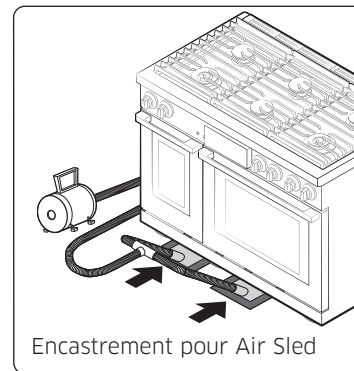


1. L'attache de câble à l'arrière de l'appareil est munie d'un levier qui détache le câble d'alimentation. Pour détacher l'attache, évitez de la couper. Utilisez plutôt le levier pour la détacher.
2. Brancher le cordon d'alimentation. Assurez-vous que la prise est conforme aux codes électriques locaux ou nationaux, comme indiqué aux pages 16 - 17.
3. Faites glisser la cuisinière dans son emplacement.
4. Vérifiez la conduite d'alimentation en gaz pour vous assurer qu'elle n'a pas été endommagée et qu'elle est restée branchée pendant le positionnement.
5. Vérifiez si le pied arrière de la cuisinière a glissé dans le support anti-basculement. Inclinez avec précaution la cuisinière vers l'avant afin de vous assurer que le support anti-basculement s'emboîte dans la fixation arrière et que la cuisinière ne bascule pas.



Fiche de la cuisinière à gaz

Étape 6 : Déplacement et placement de la cuisinière

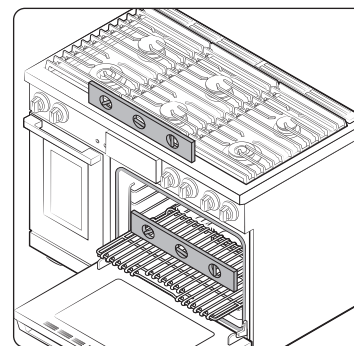


Encastrement pour Air Sled

1. En raison du poids de cette cuisinière, des engins de déplacement d'équipement lourd comme Air Sled doivent être utilisés pour la déplacer. Le poids doit être soutenu uniformément par le bas.
2. Après avoir transporté la cuisinière à l'aide d'Air Sled dans l'emplacement souhaité, elle peut être mise à niveau en réglant les pieds à l'aide d'une clé pendant qu'elle est encore soulevée par Air Sled. À l'aide d'une clé, mettez la cuisinière à niveau en tournant les pieds de nivellement avant vers l'intérieur ou l'extérieur, selon les besoins. Dans le sens antihoraire, le pied se raccourcit et la cuisinière s'abaisse. Dans le sens horaire, le pied s'allonge et la cuisinière s'élève.

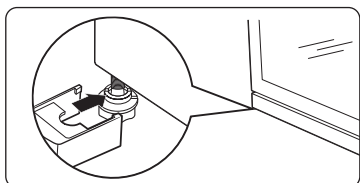
📖 REMARQUE

Ne réglez les pieds de nivellement que dans la mesure où cela est nécessaire pour mettre la cuisinière à niveau. Le fait d'allonger les pieds de nivellement plus que nécessaire ou de retirer des pieds peut rendre la cuisinière instable.



3. Si la cuisinière se trouve à côté ou entre des armoires, assurez-vous que la table de cuisson (sans les grilles des brûleurs de surface) est de niveau avec les comptoirs.
4. Placez une grille de four à la position de la grille centrale.
5. Vérifiez le niveau de la cuisinière avec un niveau de menuisier en appliquant les deux positions indiquées à droite.
6. Une fois que la cuisinière est de niveau, utilisez Air Sled pour l'éloigner du mur pour pouvoir installer le support anti-basculement.

Instructions d'installation



- Après avoir installé et mis à niveau la cuisinière, retirez Air Sled avec précaution, puis installez les couvre-pieds avant (droit et gauche).

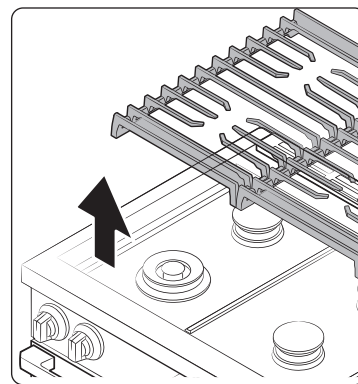
Étape 7 : Assemblage des brûleurs de surface

⚠ ATTENTION

N'utilisez les brûleurs de surface que si toutes les pièces du brûleur sont installées.

- Placez les têtes des brûleurs de surface au-dessus des coupelles de ces derniers, comme illustrés sur l'image de droite. Les électrodes s'insèrent dans la fente située au bas des têtes. Assurez-vous que les têtes des brûleurs de surface sont plates et parallèles à la table de cuisson.
- Placez les chapeaux de taille correspondante au-dessus de chaque tête de brûleur de surface.

Haut	Bas



- Placez les grilles des brûleurs de surface gauche et droite sur la table de cuisson. Les bords des grilles doivent correspondre aux bords de la table de cuisson.

📖 REMARQUE

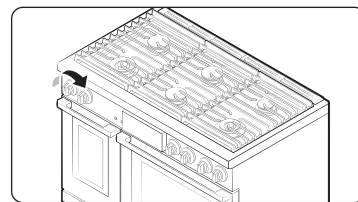
- Les grilles doivent être placées aux emplacements prévus, car elles ne sont pas interchangeables.
- Vous pouvez reconnaître la bonne position des grilles en vérifiant la face inférieure de chacune d'elles. Recherchez la position gravée sur les grilles droite et gauche, respectivement **AVANT DROIT** et **AVANT GAUCHE**.
- Les grilles sont lourdes. Soyez prudent lorsque vous les manipulez.

Étape 8 : Vérifiez l'allumage des brûleurs de surface et des brûleurs du four

Vérifiez le fonctionnement de tous les brûleurs de la table de cuisson et du four après avoir installé et assemblé la cuisinière, vérifié l'étanchéité des conduites d'alimentation en gaz et branché le cordon d'alimentation électrique.

Tous les brûleurs de surface et du four disposent d'un allumage électronique.

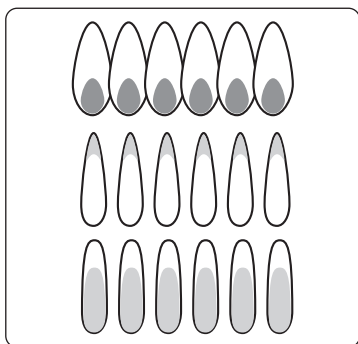
Pour allumer un brûleur de surface :



- Appuyez sur le bouton de commande et tournez-le en position **Lite**. Vous entendrez un « clic » indiquant que le système d'allumage électronique fonctionne correctement.
- Tournez le bouton de commande pour régler le niveau de la flamme.

Contrôle de la qualité de la flamme :

Toutes les flammes de combustion doivent être contrôlées visuellement pour déterminer leur qualité.



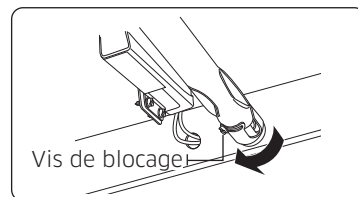
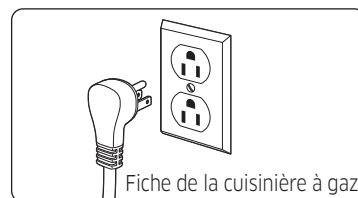
1. **Flammes bleues douces dominantes**-normales pour un fonctionnement au gaz naturel.
2. **Pointes extérieures jaunes**-normal pour un fonctionnement au GPL.
3. **Flammes jaunes**-ce n'est pas normal, quel que soit le type de gaz utilisé ; appelez le service après-vente.

REMARQUE

Si la flamme du brûleur ressemble à 3, la cuisinière ne doit pas être utilisée avant d'avoir été réparée. Appelez Dacor pour le service après-vente. Les flammes normales du brûleur doivent ressembler à 1 ou 2, selon le type de gaz que vous utilisez.

Étape 9 : Liste de contrôle de l'installation finale

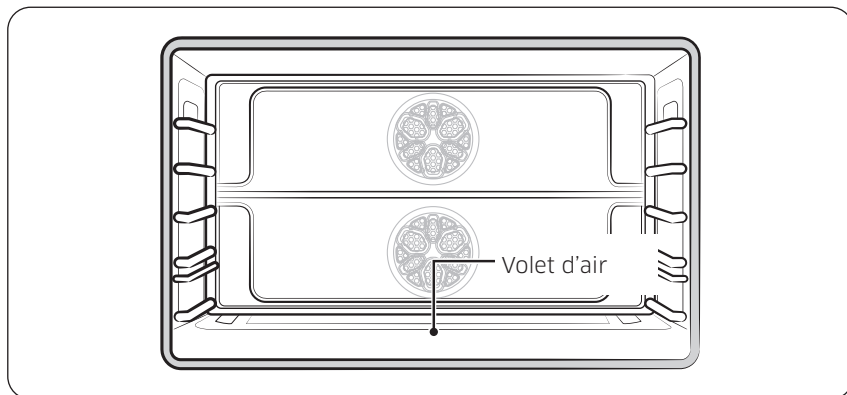
Vous venez de terminer l'installation de votre cuisinière. Assurez-vous que toutes les commandes sont en position **Off (arrêt)** et que le flux d'air de ventilation vers la cuisinière n'est pas obstrué. Voici une liste de contrôle qui permet de confirmer que votre cuisinière est installée en toute sécurité et prête à fonctionner.



- La conduite de gaz a été correctement raccordée à la cuisinière. Le gaz a été allumé. Tous les raccords ont été vérifiés pour voir s'il y a des fuites.
- La cuisinière est branchée dans une prise électrique correctement mise à la terre.
- Le support anti-basculement approuvé est correctement installé et enclenché avec la cuisinière.
- La cuisinière est mise à niveau et repose fermement sur un sol solide et plat.
- Les brûleurs de surface à gaz ont été correctement assemblés.
- Le bon fonctionnement de tous les brûleurs a été testé.
- **POUR L'INSTALLATEUR**
SEULEMENT - Vérifiez et/ou réglez les flammes du grill et du brûleur du four tel que décrit dans le présent manuel.

Instructions d'installation

Réglage des volets d'air des brûleurs du four



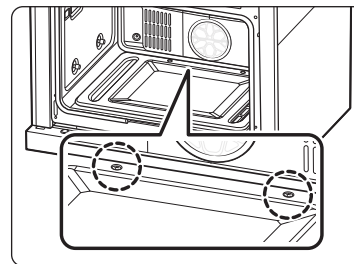
Tous les brûleurs du four sont équipés d'un volet d'air. L'objectif de ce volet est de réguler le flux d'air vers les flammes. Des flammes correctement réglées doivent brûler de façon régulière avec un cône bleu d'environ 1 pouce. Les flammes ne doivent jamais dépasser le bord des déflecteurs du brûleur. Même si ces derniers sont préréglés en usine, ils doivent être vérifiés et, le cas échéant, ajustés à intervalles réguliers pour assurer un fonctionnement efficace.

Pour vérifier et régler les volets d'air des brûleurs du four :

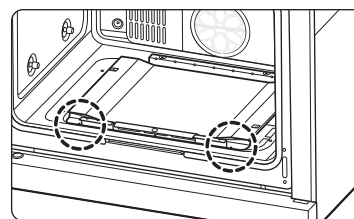
1. Ouvrez la porte du four.
2. Retirez les grilles du four.
3. Retirez le fond du four.
4. Tournez le bouton de sélection du mode de **Off** (arrêt) à la position **Bake** (cuisson), puis tournez le bouton de sélection de la température pour régler la température de la position **Off** (arrêt).
5. Une fois le four allumé, contrôlez visuellement les flammes qui sortent des brûleurs supérieurs et inférieurs. Si un réglage est nécessaire, ajustez soigneusement les volets d'air.

Les volets sont situés à la base des coupelles des brûleurs, près de la paroi arrière du four.

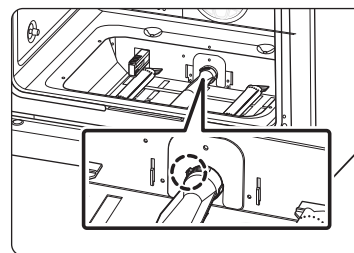
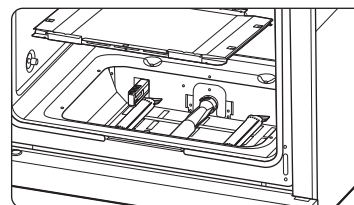
Réglage des volets d'air (brûleur de cuisson)



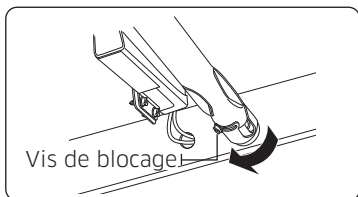
1. Retirez 2 vis de la sole de la cavité, puis retirez celle-ci.



2. Retirez 2 vis de la base du support, puis retirez celui-ci.



3. Desserrez la vis de blocage du brûleur de cuisson, puis réglez le volet d'air.



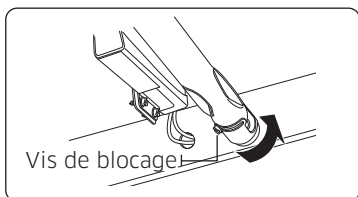
Pour régler le volet, desserrez la vis de blocage et tournez le volet vers la position ouverte ou fermée, selon les besoins.

Si les flammes se décollent des orifices des brûleurs, réduisez progressivement l'ouverture du volet d'air jusqu'à ce que les flammes se stabilisent.

Si les flammes sont trop jaunes et/ou trop grandes, augmentez progressivement l'ouverture du volet d'air jusqu'à ce que les flammes forment un cône bleu d'environ 1 pouce.

REMARQUE

Si la cuisinière est réglée pour le gaz naturel, les flammes doivent brûler avec un virement léger vers le jaune. Si la cuisinière est réglée pour le gaz de pétrole liquéfié, de petites pointes jaunes à l'extrémité des cônes sont normales.



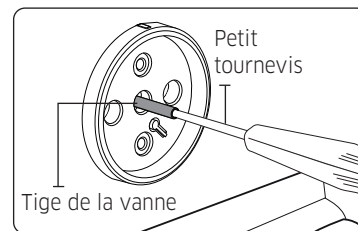
Une fois les flammes correctement réglées, éteignez le four, resserrez les vis de blocage, remplacez la sole et les grilles du four, puis fermez la porte du four.

Pour ajuster le réglage de la flamme basse

Identifiez le brûleur dont la taille de la flamme est trop élevée ou trop basse et réglez-le si nécessaire en suivant les étapes ci-dessous :



1. Tournez un bouton en position **Lo (bas)** et retirez le bouton de la tige de la vanne pendant que la flamme est allumée.



2. Poussez délicatement le tournevis dans la tige de la vanne, jusqu'à ce qu'il touche la vis de réglage du mijotage. Assurez-vous que la tête plate du tournevis est logée dans la rainure de la vis de réglage.
3. Tournez la vis de réglage de la vanne dans le sens horaire pour diminuer le débit de flamme du réglage **Lo**, ou tournez la vis de réglage dans le sens antihoraire pour augmenter le débit de flamme du réglage **Lo**.

AVERTISSEMENT

1. Ne retirez pas complètement la vis de réglage de la vanne de la tige de la vanne. La vis de réglage de la vanne fait partie intégrante de l'ensemble de la vanne de gaz. Si vous retirez la vis de réglage de la vanne, le gaz fuira.
2. Après avoir ajusté la vis de réglage de la vanne, vérifiez l'absence de fuites de gaz.

dacor



DG68-01512A-00

Dacor • Téléphone : 833-353-5483 (É.-U.), 844-509-4659 (CANADA) • www.dacor.com