



Installation Manual

Induction Pro Range

DOP30**40I*

Anti-tip device

WARNING

To reduce the risk of tipping the range, the range must be secured by a properly installed Anti-Tip device. **AFTER THE RANGE HAS BEEN INSTALLED, CONFIRM THAT THE ANTI-TIP DEVICE HAS BEEN PROPERLY INSTALLED AND VERIFY THAT THE ANTI-TIP DEVICE IS PROPERLY ENGAGED.** Refer to the installation manual for instructions.

- a) If the Anti-Tip device is not installed, a child or adult can tip the range and be killed.
- b) Verify that the Anti-Tip device has been properly installed and engaged at the rear right (or rear left) of the range bottom.
- c) If you move the range and then move it back into place, ensure the Anti-Tip device is re-engaged at the right or left rear of the range bottom.
- d) Do not operate the range without the Anti-Tip device in place and engaged.
- e) Failure to do so can result in death or serious burns to children or adults.



Do not step, lean, or sit on the doors of the range. You can cause the range to tip, resulting in burns or serious injuries.

Confirm that the Anti-Tip device is installed properly. Then, to verify that the Anti-Tip device is engaged, grasp the top rear edge of the range and carefully attempt to tilt it forward. The Anti-Tip device should prevent the range from tilting forward more than a few inches.

If you pull the range out from the wall for any reason, make sure the Anti-Tip device is properly engaged when you push the range back against the wall. If it is not, there is a risk of the range tipping over and causing injury if you or a child stand, sit, or lean on the open door.

Never completely remove the leveling legs. If you remove the leveling legs, the range will not be secured to the Anti-Tip device properly.

Contents

Before you begin	3
About this manual	3
Important safety information	4
Read all instructions before using this appliance	4
Symbols used in this manual	4
General safety	4
Fire safety	5
Electrical and grounding safety	5
Installation safety	6
Location safety	6
Cooktop safety	7
Oven safety	7
Self-cleaning oven safety	8
Storage drawer safety	8
California Proposition 65 Warning	8
Range components	9
Installation requirements	9
Checking the installation site	9
Installation guide	10
To avoid breakage	11
Electrical requirements	12
Tools and materials	13
What's in the box	13
Installation instructions	14
Installing your range	14

Before you begin

About this manual

Read these instructions completely and carefully.

Important note to the installer

- Read all instructions contained in these installation instructions before installing the range.
- Remove all packing materials from the oven compartments before connecting the electric supply to the range.
- Observe all governing codes and ordinances.
- Be sure to leave these instructions with the consumer.
- Installation of this appliance requires basic mechanical skills.
- Proper installation is the responsibility of the installer.
- Product failure due to improper installation is not covered under the Warranty.

Important note to the consumer

Keep these instructions for the local electrical inspector's use.

- As when using any appliance generating heat, there are certain safety precautions you should follow.
- Be sure your range is installed and grounded properly by a qualified installer or service technician.
- For the range to ventilate properly, make sure the range's vents are not blocked or covered, and that there is enough clearance at the top, back, sides, and underneath the range. The vents allow the necessary exhaust for the range to operate properly with correct combustion and get the good cooking result.
- Make sure the wall coverings around the range can withstand the heat generated by the range.
- To eliminate the need to reach over the surface elements, avoid having cabinet storage space above the cooktop.
- The range should not be placed on a base.

Important note to the servicer

Electrical diagrams are available at dacor.com.

Important safety information

Read all instructions before using this appliance

- All electrical equipment with moving parts can be dangerous. Please read the important safety instructions for this appliance in this manual. The instructions must be followed to minimize the risk of injury, death, or property damage.
- Save this manual. Please Do Not Discard.

Symbols used in this manual

WARNING

Hazards or unsafe practices that may result in severe personal injury or death.

CAUTION

Hazards or unsafe practices that may result in electric shock, personal injury or property damage.

NOTE

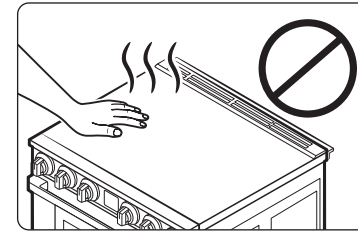
Useful tips and instructions.

These warning icons and symbols are here to prevent injury to you and others. Please follow them explicitly. After reading this section, keep it in a safe place for future reference.

General safety

WARNING

To reduce the risk of fire, electric shock, personal injuries, and/or death, obey the following precautions.



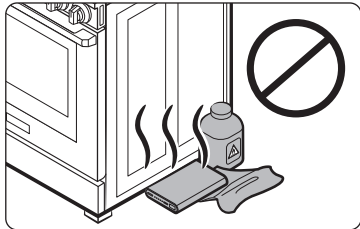
- **Do not touch** any part of the range, including but not limited to interior surfaces during or immediately after cooking.

- **Make sure** the **anti-tip device** is properly installed on the range. See the installation instructions for more information.
- **Do not let children near**, in, or on the range. Do not let children play with the range or any part(s) of the range. Do not leave children unattended in an area where the range is in use. For children's safety, we recommend utilizing the control/door lockout feature.
- **Remove** all packaging materials from the range before operating to prevent ignition of these materials. Keep all packaging materials out of children's reach. Properly dispose the packaging materials after the range is unpacked.
- **Do not store** any object of interest to children on the cooktop or backguard of the range. Children climbing on the range to reach items could be killed or seriously injured.
- **Do not operate** the range if the range or any part of the range is damaged, malfunctioning, or missing parts.
- **Do not use** the range as a space heater. This range is to be used for cooking purposes only.
- **Do not use** oven cleaners or oven liners in or around any part of the oven.
- **Use** only dry pot holders.
- **Do not use** the range to heat unopened food containers.
- **Do not strike** the oven glass.
- When disposing of the range, **cut off** the power cord and **remove** the door.
- **Unplug** or **disconnect** power before servicing.
- **Make sure** all meat and poultry is cooked thoroughly. Meat should always be cooked to an internal temperature of 160 °F (71 °C). Poultry should always be cooked to an internal temperature of 180 °F (82 °C).

Fire safety

⚠ WARNING

To reduce the risk of fire, electric shock, personal injuries, and/or death, obey the following precautions.



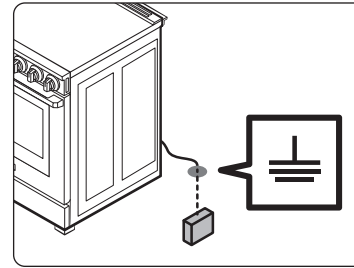
- **Do not store, place, or use** flammable or combustible materials such as charcoal, paper, plastic, pot holders, linens, curtains, gasoline or other flammable vapors or liquids near or inside the range.
- **Do not wear** loose fitting or hanging garments while using the range.

- To avoid grease buildup, **regularly clean** the vents.
- **Do not let** pot holders or other flammable materials touch a heating element. Do not use a towel or other bulky cloths in place of a pot holder.
- **Do not use** water on a grease fire. To put out a grease fire, turn off the heat source and smother the fire with a tight-fitting lid or use a multipurpose dry chemical or foam-type fire extinguisher.
- If a grease fire should occur in the oven, **turn off the oven** by rotating the mode selector knob to the **Off** position. Keep the oven door closed until the fire goes out. If necessary, **use** a multipurpose dry chemical or foam-type fire extinguisher.
- **Do not heat** unopened food containers - buildup of pressure may cause container to burst and result in injury.

Electrical and grounding safety

⚠ WARNING

To reduce the risk of fire, electric shock, personal injuries, and/or death, obey the following precautions.



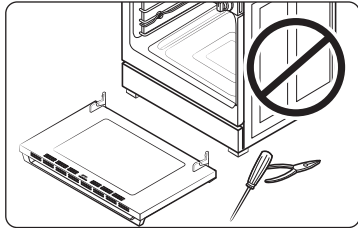
- Plug into a grounded 3-prong outlet.
 - **Do not remove** the ground prong.
 - **Do not use** an adapter or an extension cord.
 - **Do not use** a damaged power plug, power cord, or loose power outlet.
 - **Do not modify** the power plug, power cord, or power outlet in any way.
- **Do not put** a fuse in a neutral or ground circuit.
 - Use a dedicated 240-volt, 60-Hz, 40-amp, AC, fused electrical circuit for this range. A time-delay fuse or circuit breaker is recommended. Do not plug more than one appliance into this circuit.
 - This range **must be Earth grounded**. In the event of a malfunction or breakdown, grounding will reduce the risk of electrical shock by providing a path for the electric current. This range is equipped with a cord having a grounding plug. The plug must be firmly plugged into an outlet that is properly installed and grounded in accordance with the local codes and ordinances. If you are unsure whether your electrical outlet is properly grounded, have it checked by a licensed electrician.
 - Electrical service to the range must conform to local codes. Barring local codes, it should meet the latest ANSI/NFPA No. 70 – Latest Revision (for the U.S.) or the Canadian Electrical Code CSA C22.1 – Latest Revisions.
 - It is the personal responsibility of the range owner to provide the correct electrical service for this range.

Important safety information

Installation safety

⚠ WARNING

To reduce the risk of fire, electric shock, personal injuries, and/or death, obey the following precautions.



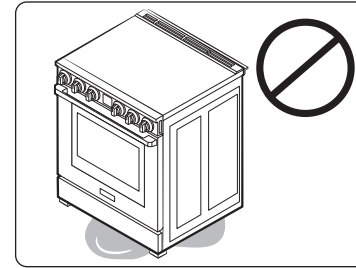
- Have your range installed and properly grounded by a **qualified installer**, in accordance with the installation instructions.

- **Do not attempt** to service, modify, or replace your range or any part of your range unless it is specifically recommended in this manual. All other service should be referred to a qualified technician.
- **Make sure** the anti-tip device is properly installed on the range. See the installation instructions for more information.
- Due to the size and weight of the range, have **two or more people** move the range.
- **Remove** all tape and packaging materials.
- **Remove** all accessories from the cooktop and oven. Use caution when handling them.
- **Make sure** no parts came loose during shipping.

Location safety

⚠ WARNING

To reduce the risk of fire, electric shock, personal injuries, and/or death, obey the following precautions.

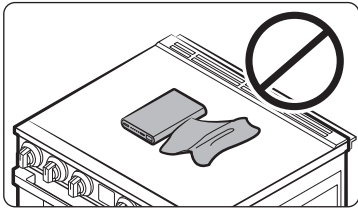


- This range is for indoor, household use only. **Do not install** the range in areas exposed to the weather and/or water.
- **Do not install** the range in a place which is exposed to a strong draft.
- Select a level, well-constructed floor that can support the range's weight. Synthetic flooring, such as linoleum, must withstand 180 °F (82 °C) temperatures without shrinking, warping, or discoloring. **Do not install** the range directly over interior kitchen carpeting unless a sheet of ¼ inch plywood or a similar insulator is placed between the range and carpeting.
- Select a location where a grounded, 3- prong outlet is easily accessible.
- If the range is located near a window, **do not hang** long curtains or paper blinds on that window.
- For the range to ventilate properly, make sure the range's vents are not blocked or covered, and that there is enough clearance at the top, back, sides, and underneath the range. The vents allow the necessary exhaust for the range to operate properly with correct combustion and get the good cooking result.
- **Make sure** the wall coverings around the range can withstand heat up to 194 °F (90 °C) generated by the range.
- Cabinet storage above the surface of the range should be avoided. If cabinet storage above the range is necessary: allow a minimum clearance of 30 inches (76.2 cm) between the cooking surface and the bottom of cabinets; or install a range hood that projects horizontally a minimum of 5 inches (12.7 cm) beyond the bottom of the cabinets. For detail information, please refer to the **Minimum dimensions** section on page 10.

Cooktop safety

⚠ WARNING

To reduce the risk of fire, electric shock, personal injuries, and/or death, obey the following precautions.



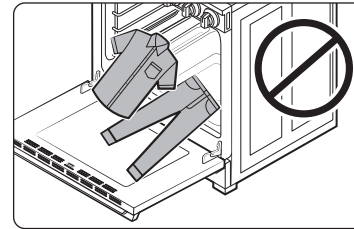
- **Make sure** all elements are off when not in use.
- **Do not use** aluminium foil to line any part of the cooktop.
- **Do not leave** elements unattended on medium or high heat settings.

- **Do not** place any objects other than cookware on the cooktop.
- Before removing or changing cookware, turn off the elements.
- Remove food and cookware immediately after cooking.
- To avoid carbon monoxide poisoning, **do not pour** water into the cooktop well while cleaning.
- Stand away from the range while frying.
- Always heat frying oils slowly, and watch as they heat. If you are frying foods at high heat, carefully watch during the cooking process. If a combination of fats or oils is to be used during frying, mix them together before heating.
- Use a deep-fryer thermometer whenever possible. This prevents overheating the fryer beyond the smoking point.
- Use a minimum amount of oil when shallow pan-frying or deep-frying. Avoid cooking unthawed food or food with excessive amounts of ice.
- Before moving cookware full of fats or oils, make sure it has completely cooled.
- To prevent delayed eruptive boiling, always allow heated liquids to stand at least 20 seconds after you have turned off the element so that the temperature in the liquid can stabilize. In the event of scalding, follow these first aid instructions:
 - Immerse the scalded area in cool or lukewarm water for at least 10 minutes.
 - Do not apply any creams, oils, or lotions.
 - Cover with a clean, dry cloth.

Oven safety

⚠ WARNING

To reduce the risk of fire, electric shock, personal injuries, and/or death, obey the following precautions.



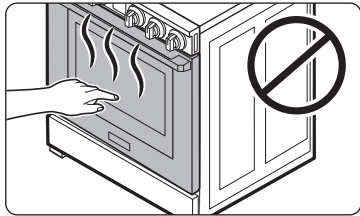
- **Do not use** the oven for non-cooking purposes such as drying clothes or storage. Use the oven for cooking purposes only.
- **Make sure** the inner portion of the split oven-rack is in the proper position within the outer rack.
- **Make sure** the oven racks are placed on the same level on each side.
- **Do not damage, move, or clean** the door gasket.
- **Do not spray** water on the oven glass while the oven is on or just after you have turned it off.
- **Do not use** aluminium foil or foil liners anywhere in the oven. Do not use aluminium foil or like material to cover any holes or passages in the oven bottom or to cover an oven rack.
- Stand away from the oven when opening the oven door.
- Keep the oven free from grease buildup.
- When repositioning the oven racks, **make sure** the oven is completely cool.
- To avoid damaging the element control knobs, always bake and/or broil with the oven door closed.
- When using cooking or roasting bags in the oven, follow the manufacturer's directions.
- Keep oven vent ducts which is below the controlbox unobstructed. This area could become hot during oven use. Never block this vent or place plastic or heat-sensitive items on it.

Important safety information

Self-cleaning oven safety

⚠ WARNING

To reduce the risk of fire, electric shock, personal injuries, and/or death, obey the following precautions.



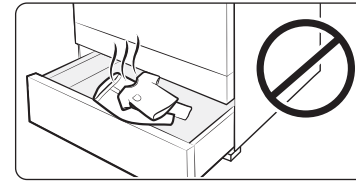
- The self-cleaning feature operates the oven at temperatures high enough to burn away food soils in the oven. The range is extremely hot during a self-cleaning cycle. **Do not touch** any surfaces of the range during a self-cleaning cycle.

- Keep children away from the oven during a self-cleaning cycle.
- Before starting a self-cleaning cycle, **remove** all racks, cookware, and utensils from the oven. Only porcelain-coated oven racks may be left in the oven.
- Before starting a self-cleaning cycle, wipe grease and food soils from the oven.
- **Do not put** the lower drawer into the oven cavity when you run a self-cleaning cycle.
- When opening the door after a self-cleaning cycle, stand away from the oven.
- If the self-cleaning cycle malfunctions, turn off the oven, disconnect the power supply, and contact a qualified service technician.

Storage drawer safety

⚠ WARNING

To reduce the risk of fire, electric shock, personal injuries, and/or death, obey the following precautions.



- **Do not use** the drawer for non-cooking purposes such as drying clothes or storage. Use the drawer for cooking purposes only.

- **Do not touch** the interior drawer surface or heating element.
- To avoid steam burns, use caution when opening the drawer.
- **Do not use** aluminium foil to line the drawer.
- **Do not use** the drawer in the oven. **Do not put** the drawer in the oven during a self-cleaning cycle.
- **Do not leave** containers of fat drippings in or near the drawer.

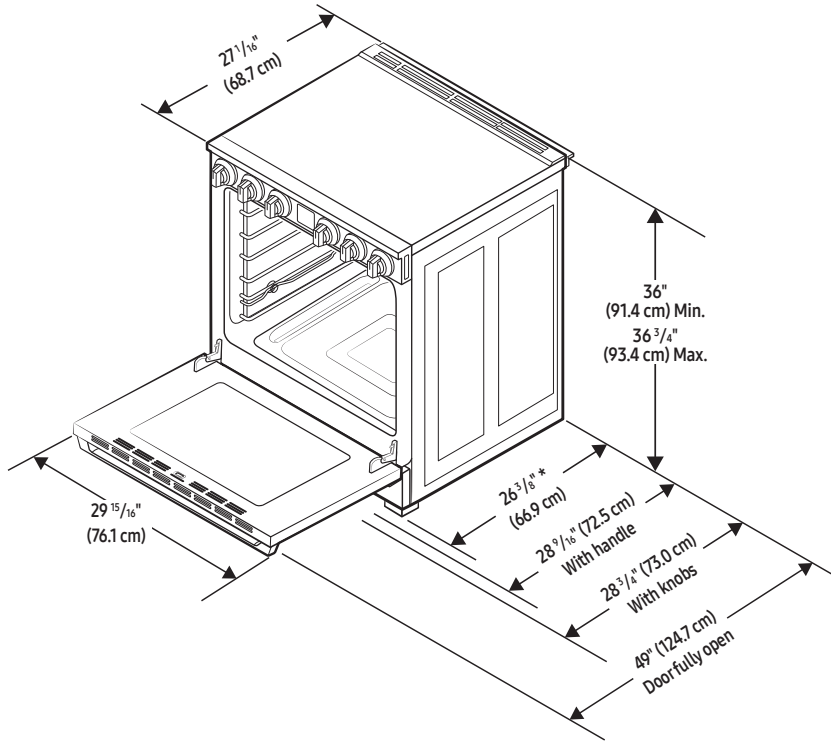
California Proposition 65 Warning

⚠ WARNING

Cancer and Reproductive Harm - www.P65Warnings.ca.gov.

Range components

MODEL DOP30**401*



* It would be $26\frac{7}{16}$ " (67.1 cm) if the optional rear filler kit is applied.

Installation requirements

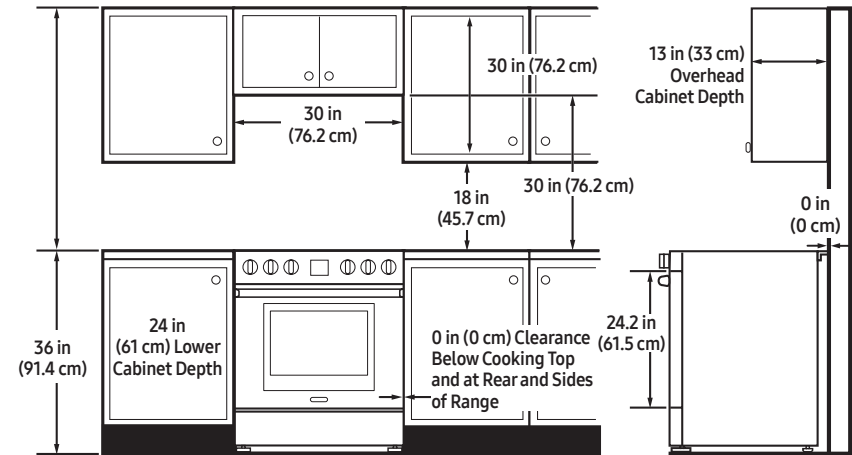
Checking the installation site

Clearances and dimensions

To install the range, refer to the following figure.

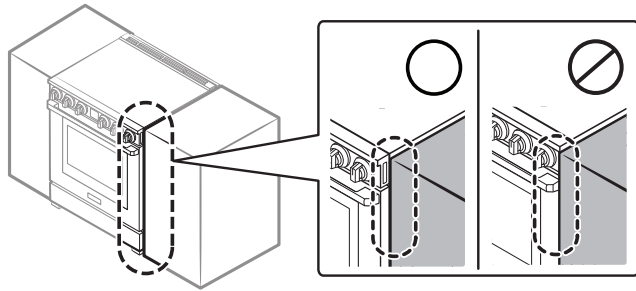
⚠ CAUTION

This range has been designed to comply with the maximum allowable wood cabinet temperatures of 194 °F. Make sure the wall covering, countertops, and cabinets around the range can withstand the heat (up to 194 °F) generated by the range. If not, discoloration, delamination, or melting may occur.



Range components

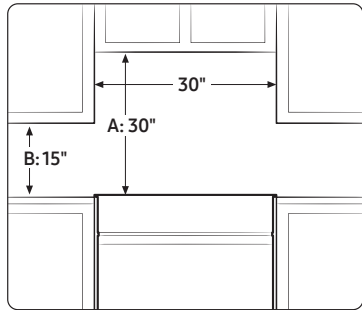
Installation requirements



CAUTION

DO NOT install the oven so that the door is flush with the cabinet.

Minimum dimensions



IMPORTANT: To eliminate the risk of burns or fire caused by reaching over heated surface units, avoid having cabinet storage space located above the surface units. If you have cabinet storage space over the heating elements, you can reduce the risk by installing a range hood that projects horizontally a minimum of 5 inches beyond the bottom of the cabinets.

- A. A minimum of 30" is required between the top of the cooking surface and the bottom of an unprotected wood or metal cabinet; a minimum of 24" is required if the bottom of the wood or metal cabinet is protected by not less than 1/4" of flame retardant millboard covered with not less than no.28 MSG of sheet steel, 0.015" of stainless steel, 0.024" of aluminum, or 0.020" of copper.
- B. A minimum of 15" is required between the countertop and the adjacent cabinet bottom.

CAUTION

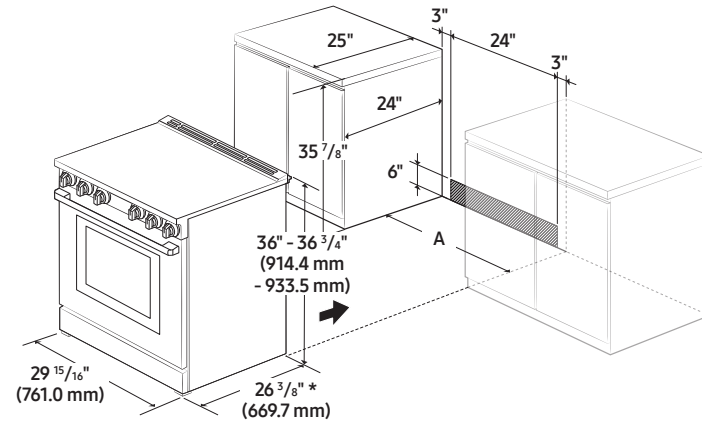
Vapors may come out from the vent. It is normal, but be careful as it may be hot. Depending on the material of your wall, hot vapors may leave stains on it.

Installation guide

IMPORTANT:

To eliminate the risk of burns or fire caused by reaching over heated surface units, avoid having cabinet storage space located above the surface units. If you have cabinet storage space over the heating elements, you can reduce the risk by installing a range hood that projects horizontally a minimum of 5 inches beyond the bottom of the cabinets.

Installation guide



* It would be 26 7/16" (671.7 mm) if the optional rear filler kit is applied.

A: Cabinet opening 30" (76.2 cm)

IMPORTANT: If your cabinet have height over 37", this range cannot be installed without supporting unit like hard block.

CAUTION

You must use the rear filler kit to install the range in a freestanding cutout cabinet. For more information, see **Optional rear filler kit** as shown below.

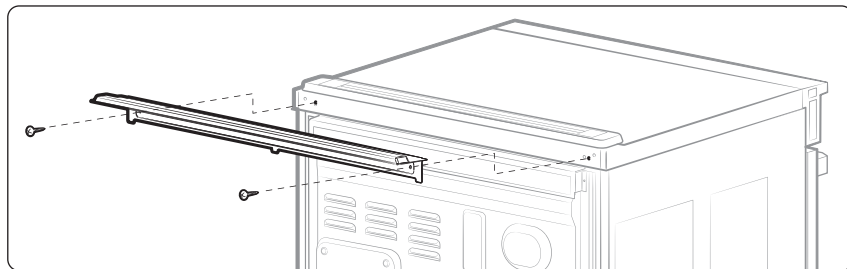
Optional rear filler kit

⚠ WARNING

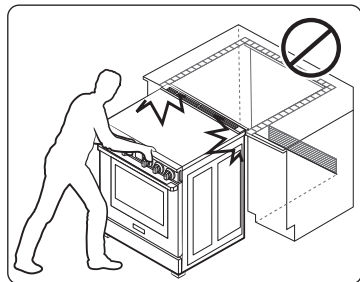
Used to fill gap between the range back and wall. Adds a filler strip to the rear of the range. This kit can only be used when the opening in the countertop is 25" deep.

📄 NOTE

If the countertop depth is greater than 25", there will be a gap between the filler kit and the back wall.

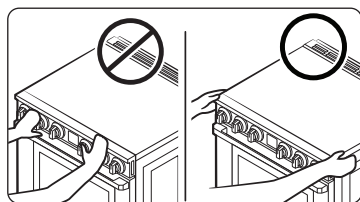


To avoid breakage



⚠ CAUTION

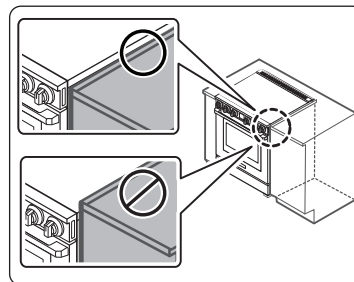
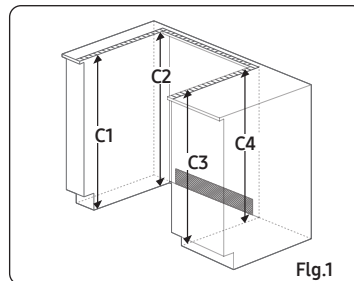
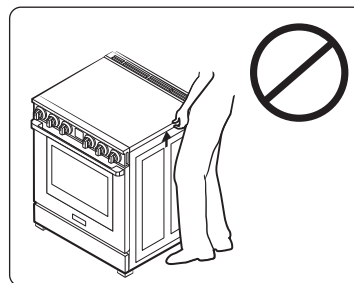
- Please **DO NOT** push the unit strongly when you install. These actions can cause the damage to the unit.



- Hold the upper left/right area of the door (not the door handle) with both hands and push the unit in. Do not grab the door handle or push the element knobs.

⚠ CAUTION

Do NOT lift or handle the unit by the cooktop frame.



1. The counter top around the cut-out should be flat and leveled (See hatched area on Fig. 1).
2. Before installing the unit, measure the heights of the two cabinet sides (C1 ~ C4), front and back (See Fig. 1) from the floor to the top of the counter.
3. Level the range using the four leveling legs so that the height from the floor to the underside of the cooktop frame is greater than the tallest cabinet measurement **by at least** 1/16".
4. Slide the unit into the cabinet (**DO NOT PUSH THE UNIT HARD**). Make sure the center of the unit aligns with the center of the cabinet cut-out.
5. The metal flange under each side of the cooktop **MUST** be placed over the cabinet countertop for proper unit support. The cooktop should **NOT** rest directly on the countertop or else it could cause damage to the cooktop voiding the warranty. Level the unit if needed.

Installation requirements

Electrical requirements

WARNING

To reduce the risk of fire, electric shock, or personal injury:

All ranges

- Do not use an extension cord or adapter plug with this range.
- This range must be properly grounded.
- Check with a qualified electrician if you are in doubt as to whether your range is properly grounded.
- All wiring and grounding must be done in accordance with local codes or, in the absence of local codes, with the National Electrical Code, ANSI/NFPA No. 70 – Latest Revision (for the U.S.) or the Canadian Electrical Code CSA C22.1 – Latest Revisions and local codes and ordinances.
- Wiring diagram is located on the back of the range. (Inside of the cover back wire)
- This range is equipped with an electronic ignition system that will not operate if plugged into an outlet that is not properly polarized.
- A 240-Volt, 60-Hz, AC, approved electrical service with 40-amp circuit breaker or time-delay fuse is required for all U.S. and Canadian models.
- Check for 3/4-in (1.9-cm) UL-listed strain relief where the power cord comes out of the range cabinet.
- Do not reuse a power supply cord from an old range or other appliance.
- The power cord electric supply wiring must be retained at the range cabinet with a suitable UL-listed strain relief.
- A time-delay fuse or circuit breaker is also recommended.

Grounding

- All ranges must be Earth grounded for personal safety.
- The plug must be firmly plugged into a 3-prong or 4-prong outlet that is properly installed and grounded in accordance with all local codes and ordinances. In the event of a malfunction or breakdown, grounding will decrease the risk of electrical shock by providing a path for the electric current.
- Do not use a damaged power plug or loose wall outlet.
- Do not use an extension cord or adapter with this appliance.
- Do not, under any circumstances, cut, modify, remove, or otherwise defeat the grounding if quipped. If the plug and the outlet do not match or you have any doubt, have a qualified electrician install the proper outlet.
The customer should have the wall receptacle and circuit checked by a qualified electrician to make sure the receptacle is properly grounded.
Ground Fault Circuit Interrupters(GFCIs) are not required or recommended for range receptacles.
- **NEVER** connect ground wire to plastic plumbing lines, gas lines, or water pipes.

CAUTION

Failure to follow these instructions can result in death, fire, or electrical shock.

Usage situations where appliance power cord will be disconnected frequently

Do not use an adapter plug in these situations because disconnecting of the power cord places under strain on the adapter and leads to eventual failure of the adapter ground terminal. 240 V plug have 3 or 4 prongs and are not supplied with a unit.

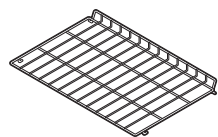
Additional installation requirements for mobile homes

The installation of appliances designed for mobile home installation must conform with the Manufactured Home Construction and Safety Standard, Title 24 CFR, Part 3280 (formerly the Federal Standard for Mobile Home Construction and Safety, Title 24, HUD, Part 280) or, when such standard is not applicable, the Standard for Manufactured Home Installations, latest edition (Manufactured Home Sites, Communities and Set-Ups), ANSI A225.1, latest edition, or with local codes. In Canada, mobile home installation must be in accordance with the current CAN/CSA Z240/MH Mobile Home Installation Code.

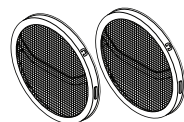
Tools and materials

What's in the box

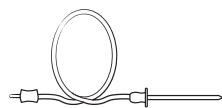
Parts supplied



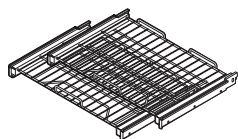
Flat rack (1)



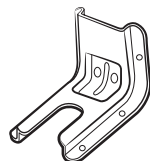
Convection filters (2)



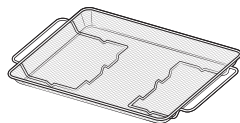
Temperature probe (1)



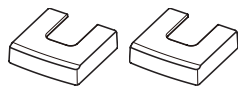
Gliding racks (2)



Anti-tip bracket (1)



Air Fry tray (1)



Leg cover (2)



Filler Kit (1) & Screws (2)

NOTE

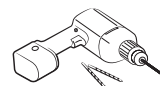
- Make sure you have received all of the supplied parts shown above.
- If your range was damaged during shipping or you do not have all of the supplied parts, contact your local retailer.

Parts needed



4-wire cord or
3-wire cord

Tools needed



Drill



Adjustable Wrench



Pliers



1/4" Nut Driver



Phillips Screwdriver



Flat Screwdriver



Pencil



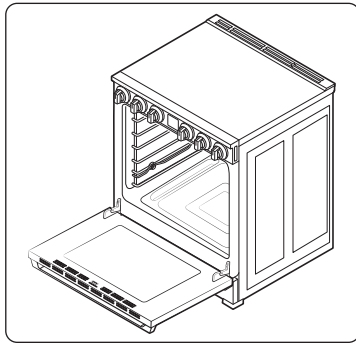
Level

Installation instructions

Installing your range

NOTE

- **IMPORTANT:** Please read the following instructions, as well as the Important Safety Instructions section at the front of this manual, completely and carefully BEFORE installing and/or operating the Induction range. Improper installation, adjustment, service, or maintenance can cause personal injury or property damage.



- To order parts or accessories, contact your local retailer or refer to the last page.
- To ensure proper installation, we strongly recommend that you hire a professional installer.

Step 1. Unpack the range

Remove all packaging materials. Failure to remove packaging materials could result in damage to the appliance.

Inventory all loose parts against the 'Parts supplied' overview on page 13.

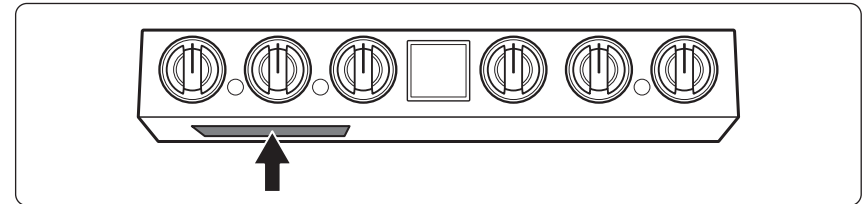
Check for shipping damage and/or missing parts. Any damage and/or missing parts should be reported to your local retailer.

Step 2. Meeting electrical connection requirements

CAUTION

For personal safety, do not use an extension cord with this appliance. Remove house fuse or open circuit breaker before beginning installation.

This appliance must be supplied with the proper voltage and frequency, and connected to an individual properly grounded branch circuit, protected by a circuit breaker or fuse having amperage as specified on the rating plate. The rating plate is located on the bottom side of the control panel.



We recommend you have the electrical wiring and hookup of your range connected by a qualified electrician. After installation, have the electrician show you where your main range disconnect is located.

Check with your local utilities for electrical codes which apply in your area. Failure to wire your oven according to governing codes could result in a hazardous condition.

If there are no local codes, your range must be wired and fused to meet the requirements of the National Electrical Code, ANSI/NFPA No. 70–Latest Edition.

You can get a copy by writing:

National Fire Protection Association
Batterymarch Park
Quincy, MA 02269

Effective January 1, 1996, the National Electrical Code requires that new construction (not existing) utilize a 4-conductor connection to an electric range.

When installing an electric range in new construction, follow Steps 2 and 3 for 4-wire connection.

You must use a 3-wire or 4-wire, single-phase A.C. 208Y/120 Volt or 240/120 Volt, 60 hertz electrical system.

If the electrical service provided does not meet the above specifications, have a licensed electrician install an approved outlet.

Use only a 3-conductor or a 4-conductor UL-listed range cord. These cords may be provided with ring terminals on wire and a strain relief device.

A range cord rated at 40 amps with 125/250 minimum volt range is required.

A 50 amp range cord is not recommended but if used, it should be marked for use with nominal 1 3/8" diameter connection openings. Care should be taken to center the cable and strain relief within the knockout hole to keep the edge from damaging the cable.

Because range terminals are not accessible after range is in position, flexible service conduit or cord must be used.

NOTE

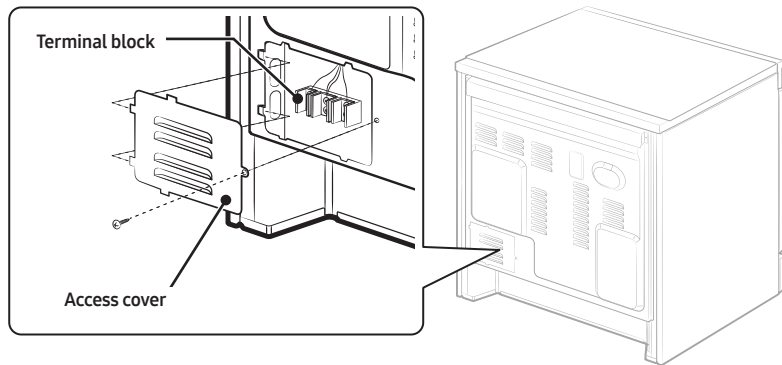
If conduit is being used, go to **Step 5** on pages 17–18.



ALL NEW BRANCH-CIRCUIT CONSTRUCTIONS, MOBILE HOMES, RECREATIONAL VEHICLES AND INSTALLATIONS WHERE LOCAL CODES DO NOT ALLOW GROUNDING THROUGH NEUTRAL, REQUIRE A 4-CONDUCTOR UL-LISTED RANGE CORD.

Step 3. Accessing the power cord connection

Remove the rear access cover and loosen the screw with a screwdriver. The terminal block will then be accessible.

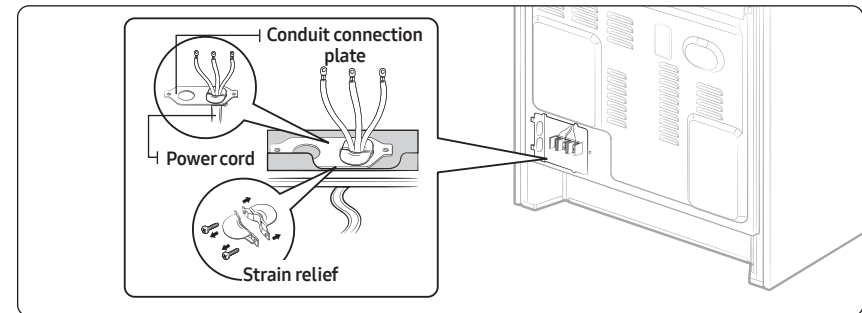


Specified power-supply-cord kit rating

Range rating, watts		Specified rating of power-supply-cord kit, amperes	Diameter (inches) of range connection opening	
120/240 volts 3-wire	120/208 volts 3-wire		Power cord	Conduit
8750 - 16500	7801 - 12500	40 or 50 A	1 3/8"	1 1/8"

Step 4. Installing the power cord

For power cord installations, hook the strain relief over the power cord hole (1 3/8") located below the rear of the drawer body. Insert the power cord through the strain relief and tighten the device.



- You must install the power cord with a strain relief.
- Attach the strain relief to the 1 3/8" opening in conduit connection plate.

CAUTION

You must check voltage after connecting power cord.

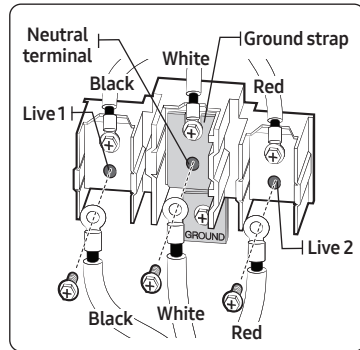
Live 1 - Neutral	120 V
Live 2 - Neutral	120 V
Live 1 - Live 2	208 V / 240 V

Installation instructions

Installing a 3-wire power cord

⚠ WARNING

The neutral or ground wire of the power cord must be connected to the neutral terminal located in the center of the terminal block. The power leads must be connected to the lower left and the lower right terminals of the terminal block.

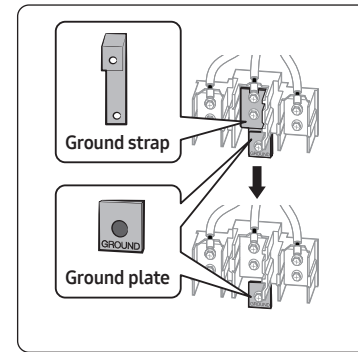


1. Remove the 3 lower terminal screws from the terminal block.
2. Insert the 3 terminal screws through each power cord terminal ring and into the lower terminals of the terminal block. Be certain that the center wire (white/neutral) is connected to the center lower position of the terminal block.
3. Tighten screws securely into the terminal block. **DO NOT remove the ground strap connection.**
4. Go to **Step 6** on page 18 and proceed with the installation.

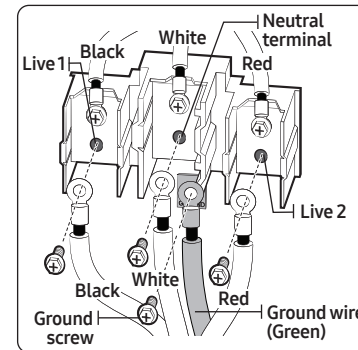
Installing a 4-wire power cord

⚠ WARNING

The neutral wire of the supply circuit must be connected to the neutral terminal located in the lower center of the terminal block. The power leads must be connected to the lower left and the lower right terminals of the terminal block. The 4th grounding lead must be connected to the frame of the range with the ground plate and the ground screw.



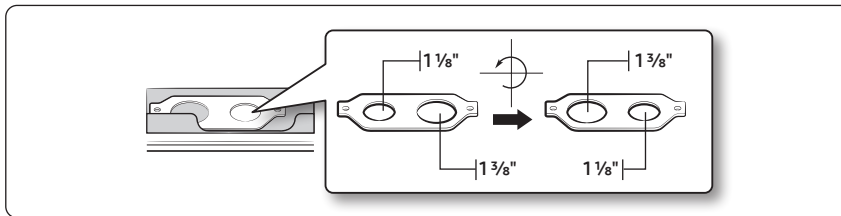
1. Remove the 3 lower terminal screws from the terminal block. Remove the ground screw and ground plate and retain them.
2. **Cut and discard the ground strap. Do not discard any screws.**
3. Insert the one ground screw into the power cord ground wire terminal ring, through the ground plate, and into the frame of the range.
4. Insert the 3 terminal screws (removed earlier) through each power cord terminal ring and into the lower terminals of the terminal block. Be certain that the center wire (white/neutral) is connected to the center lower position of the terminal block. Tighten screws securely into the terminal block.
5. Go to **Step 6** on page 18 and proceed with the installation.



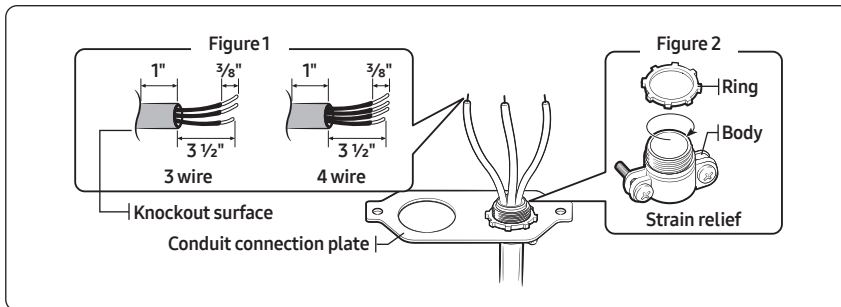
Step 5. Installing the conduit

Remove the conduit connection plate from the rear of the drawer body and rotate it as shown below.

The conduit hole (1 1/8") must be used.



1. Prepare the conduit cord shown in Figure 1.
2. Install the conduit cord as shown in Figure 2.



For conduit installations, insert the strain relief (not included) into the conduit hole (1 1/8"). Then thread the conduit cord through the body of the strain relief and fasten the ring. Reinstall the bracket.

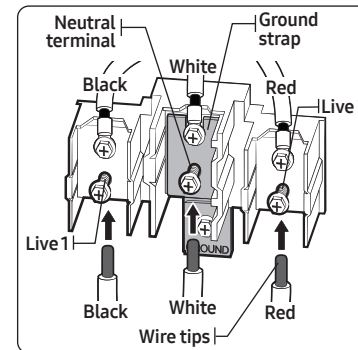
⚠ CAUTION

You must check voltage after connecting power cord.

Live 1 - Neutral	120 V
Live 2 - Neutral	120 V
Live 1 - Live 2	208 V / 240 V

Installing a 3-wire conduit

- Aluminum building wire may be used but it must be rated for the correct amperage and voltage to make the connection. Connect wires according to Step 4 depending on the number of wires.
- Wire used, location and enclosure of splices, etc., must conform to good wiring practices and local codes.

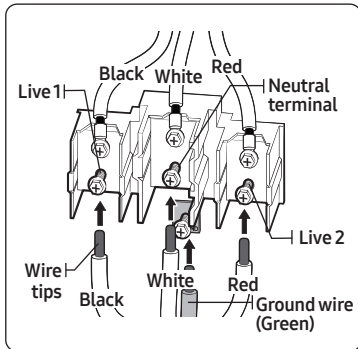
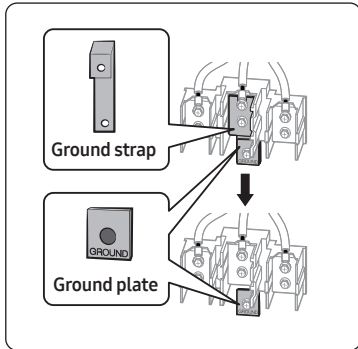


1. Loosen the 3 lower terminal screws from the terminal block.
2. Insert the center bare wire (white/neutral) tip through the bottom center terminal block opening. On certain models, the wire will need to be inserted through the ground strap opening and then into the bottom center block opening.
3. Insert the two side bare wire tips into the lower left and the lower right terminal block openings.
4. Tighten the screws until the wire is firmly secured (35 to 50 inch-lbs.). Do not over-tighten the screws since it could damage the wires.
5. Go to **Step 6** on page 18 and proceed with the installation.

Installation instructions

Installing a 4-wire conduit

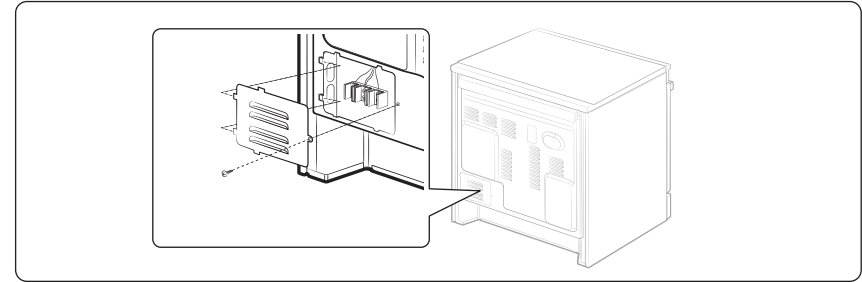
- Aluminum building wire may be used but it must be rated for the correct amperage and voltage to make the connection. Connect wires according to this Step 4 depending on the number of wires.
- Wire used, location and enclosure of splices, etc., must conform to good wiring practices and local codes.



1. Loosen the 3 lower terminal screws from the terminal block. Remove the ground screw and ground plate and retain them.
2. **Cut and discard the ground strap. Do not discard any screws.**
3. Insert the ground bare wire tip between the range frame and the ground plate (removed earlier) and secure it in place with the ground screw (removed earlier).
4. Insert the bare wire (white/neutral) tip through the bottom center of the terminal block opening.
5. Insert the two side bare wire tips into the lower left and the lower right terminal block openings.
6. Tighten the screws until the wire is firmly secured (35 to 50 inch-lbs.). Do not over-tighten the screws since it could damage the wires.
7. Go to **Step 6** and proceed with the installation.

Step 6. Replacing the access cover

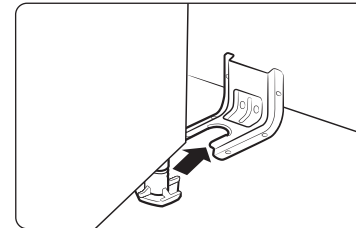
Replace the access cover on the range back. To replace the wire cover, insert double projections in the pockets located below the opening and tighten the screw.



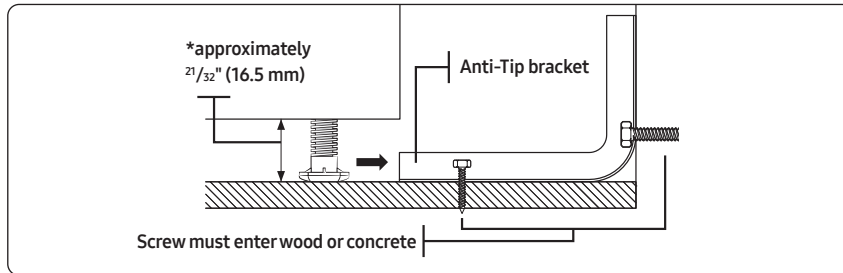
Step 7. Install the anti-tip device

⚠ WARNING

- To reduce the risk of tipping, the appliance must be secured by properly installing the anti-tip device packed with the appliance.
- All ranges can tip, resulting in personal injury.
- Tipping ranges can cause burns from spills, personal injury, and/or death.
- To prevent accidental tipping, install and check the anti-tip bracket following the instructions and template supplied with the bracket.



An anti-tip bracket and screws, installation instructions, and template are shipped with every range (PN DG94-00870B). The instructions include information necessary to complete the installation of the anti-tip bracket. Read and follow the instructions on the sheet and use the template for anti-tip bracket installation. If not properly installed, the range could be tipped by you or a child standing, sitting, or leaning on an open oven door.



NOTE

To install the Anti-Tip bracket, release the leveling leg. A minimum clearance of $\frac{21}{32}$ " (16.5 mm) is required between the range bottom and the kitchen floor.

To check if the bracket is installed and engaged properly, remove storage drawer and look underneath the range to see that the leveling leg is engaged in the bracket. Carefully tip the range forward. The bracket should stop the range within 4 inches (10.2 cm) of tipping. If it does not, the bracket must be reinstalled.

If the range is pulled from the wall for any reason, always repeat this procedure to verify the range is properly secured by the anti-tip bracket. Never completely remove the leveling legs or the range will not be secured to the anti-tip device properly.

Step 8. Plug in and place

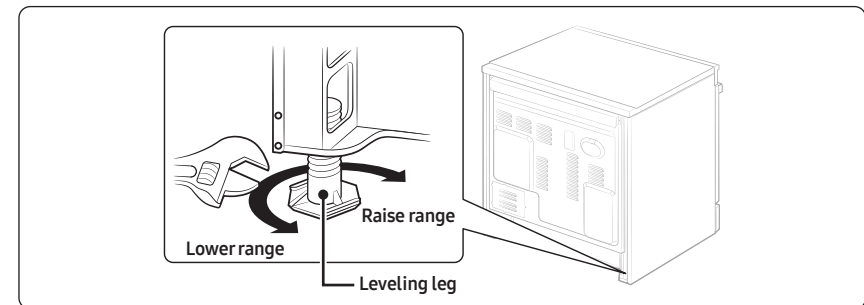
WARNING

- **BEFORE OPERATING OR TESTING, follow the grounding requirements on pages 12 in this manual. Improper connection of the grounding plug can result in a risk of electric shock.** Please review **Electrical requirements** on pages 12.
- Altering any part of this system may result in a short or overload.

1. Plug in the power cord. Make sure the outlet meets local or national electrical codes as referenced on pages 12.
2. Slide the range into place.
3. Check to make sure the back leg of the range has slid into the anti-tip bracket. Carefully tip the range forward to ensure that the anti-tip bracket engages the back brace and prevents tip-over.

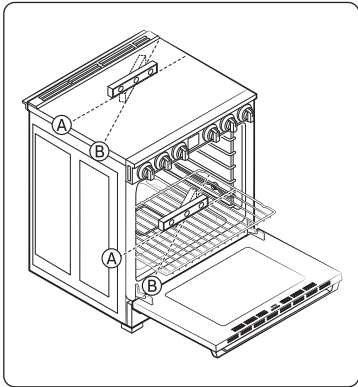
Step 9. Leveling the range

1. Install the bracket using the template
 - The Anti-Tip bracket is packaged with a template. The instructions include information necessary to complete the installation. Read and follow the instructions on the sheet (template) for range installation.
2. Level the range
 - Level the range by adjusting the leveling legs with a wrench.

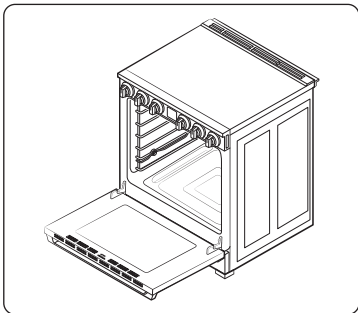


Installation instructions

3. Check your adjustments

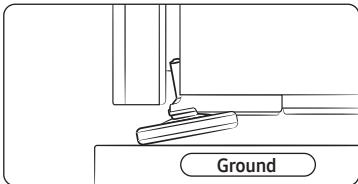


- Use a spirit level to check your adjustments. Place the level diagonally on the oven rack or surface cooktop, and confirm the range is level in the two directions shown below.
 - **A.** Check direction A.
 - **B.** Check direction B.
- If the spirit level indicates that the range is not level, adjust the leveling legs with a wrench.



NOTE

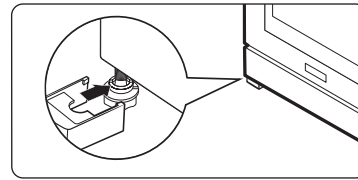
- Make sure the unit is leveled properly and check if the door opens without any issues.
- If the door does not open completely, level the range by adjusting Back leveling legs.
 - Applied model: DOP30**40I*
 - Raise the height of the back of the range.



CAUTION

For your safety, do not attempt to modify or straighten front legs. Front leveling legs on the range are designed to be slanted to prevent accidental tipping.

- ## 4.
- After installing and leveling the range, install front leg covers (right and left).



Step 10. Final installation checklist

You have just completed installing your range. Make sure all controls are in the **Off** position and the flow of ventilation air to the range is unobstructed. The following is a checklist to confirm your range is safely installed and ready for operation.

- Range is plugged into the properly grounded electrical receptacle.
- Approved anti-tip bracket is properly installed and engaged with the range.
- Range is leveled and is firmly sitting on a solid, level floor.
- All elements have been tested for proper operation.

Memo

dacor



DG68-01672A-00

Dacor · Phone: 833-353-5483 (USA), 844-509-4659 (CANADA) · www.dacor.com

dacor

Manual de instalación

Estufa Pro por inducción

DOP30**40I*

Dispositivo antinclinación

ADVERTENCIA

Para reducir el riesgo de inclinar la estufa, esta se debe asegurar con un dispositivo antinclinación correctamente instalado. **DESPUÉS DE INSTALAR LA ESTUFA, CONFIRME QUE EL DISPOSITIVO ANTINCLINACIÓN SE HAYA INSTALADO CORRECTAMENTE Y VERIFIQUE QUE ESTÉ BIEN ENGANCHADO.** Consulte el manual de instalación para ver las instrucciones.

- a) Si el dispositivo antinclinación no está instalado, existe riesgo de muerte si un niño o adulto inclina la estufa.
- b) Verifique que el dispositivo antinclinación se haya instalado y enganchado correctamente en la parte trasera derecha (o trasera izquierda) de la base de la estufa.
- c) Si mueve la estufa y la vuelve a colocar en su lugar, asegúrese de que el dispositivo antinclinación se vuelva a enganchar en la parte trasera derecha o izquierda de la base de la estufa.
- d) No opere la estufa sin que el dispositivo antinclinación esté colocado ni enganchado.
- e) De lo contrario, podría provocar quemaduras graves o incluso la muerte en niños o adultos.



No pise la puerta de la estufa ni se incline ni se sienta sobre ella. Esto podría causar que la estufa se incline y provoque quemaduras o lesiones graves.

Confirme que el dispositivo antinclinación esté correctamente instalado. Luego, para verificar que el dispositivo antinclinación esté enganchado, sujete el borde trasero superior de la estufa e intente inclinarla hacia adelante cuidadosamente. El dispositivo antinclinación debería evitar que la estufa se incline más que unas pocas pulgadas hacia adelante.

Si aleja la estufa de la pared por algún motivo, asegúrese de que el dispositivo antinclinación se enganche correctamente cuando vuelva a colocar la estufa contra la pared. Si no está enganchado, existe el riesgo de que la estufa se caiga y provoque lesiones si usted o un niño se encuentran de pie sobre la puerta abierta, o si se sientan o inclinan sobre ella.

Nunca retire por completo las patas niveladoras. Si las retira por completo, la estufa no estará asegurada correctamente al dispositivo antinclinación.

Contenido

Antes de comenzar	3
Acerca de este manual	3
Información de seguridad importante	4
Lea todas las instrucciones antes de usar este artefacto	4
Símbolos usados en este manual	4
Seguridad general	4
Seguridad contra incendios	5
Seguridad eléctrica y de conexión a tierra	5
Seguridad de la instalación	6
Seguridad de la ubicación	6
Seguridad de la placa de cocción	7
Seguridad del horno	7
Seguridad del horno autolimpiante	8
Seguridad del cajón de almacenamiento	8
Advertencia de la Propuesta 65 de California	8
Componentes de la estufa	9
Requisitos de instalación	9
Revisar el emplazamiento de instalación	9
Guía de instalación	11
Para evitar roturas	11
Requisitos eléctricos	12
Herramientas y materiales	13
Contenido de la caja	13
Instrucciones de instalación	14
Instalar la estufa	14

Antes de comenzar

Acerca de este manual

Lea estas instrucciones en su totalidad y cuidadosamente.

Nota importante para el instalador

- Lea todas las instrucciones de este instructivo antes de proceder con la instalación de la estufa.
- Retire todos los materiales de empaquetado de los compartimientos del horno antes de conectar el suministro eléctrico y de gas a la estufa.
- Cumpla con todos los códigos y ordenanzas exigidos por las autoridades pertinentes.
- Asegúrese de dejar estas instrucciones al usuario.
- La instalación de este artefacto requiere habilidades mecánicas básicas.
- El instalador es responsable de llevar a cabo una instalación adecuada.
- La falla del producto debido a la instalación incorrecta no está cubierta por la garantía.

Nota importante para el usuario

Guarde estas instrucciones para que puedan ser consultadas por el inspector local encargado de la electricidad.

- Como cualquier artefacto que genera calor con su uso, debe seguir ciertas precauciones de seguridad.
- Asegúrese de que un instalador o técnico de servicio calificado haya instalado y conectado a tierra su estufa correctamente.
- Para que la estufa se ventile correctamente, asegúrese de que los conductos de ventilación no estén bloqueados y que haya distancia suficiente arriba, atrás, en los costados y debajo de la estufa. Las ventilaciones permiten la salida de aire necesaria para que la estufa funcione adecuadamente con la combustión correcta y se obtengan buenos resultados de cocción.
- Asegúrese de que los revestimientos de las paredes alrededor de la estufa puedan soportar el calor que genera.
- Evite tener un espacio de almacenamiento en el gabinete sobre la placa de cocción para que no tenga que manipular elementos de la superficie.
- La estufa no debe colocarse sobre una base.

Nota importante para el técnico

Los diagramas eléctricos están disponibles en dacor.com.

Información de seguridad importante

Lea todas las instrucciones antes de usar este artefacto

- Todos los equipos eléctricos con piezas móviles pueden ser peligrosos. Lea las instrucciones de seguridad importantes para el artefacto en este manual. Se deben seguir las instrucciones para minimizar el riesgo de lesiones, muerte o daños materiales.
- Guarde este manual. No lo tire.

Símbolos usados en este manual

⚠ ADVERTENCIA

Peligros o prácticas poco seguras que pueden provocar lesiones personales graves o la muerte.

⚠ PRECAUCIÓN

Peligros o prácticas poco seguras que pueden provocar descargas eléctricas, lesiones personales o daños a la propiedad.

📖 NOTA

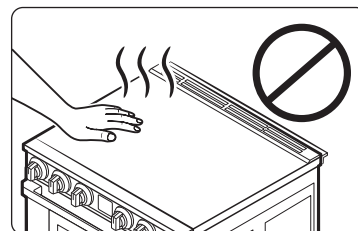
Instrucciones y sugerencias útiles.

Los siguientes íconos y símbolos de advertencia son para evitar que usted y otras personas sufran daños. Sígalas al pie de la letra. Cuando haya leído esta sección, guárdela en un lugar seguro para futuras consultas.

Seguridad general

⚠ ADVERTENCIA

Para reducir el riesgo de incendio, descargas eléctricas, lesiones y muerte, respete estas precauciones.



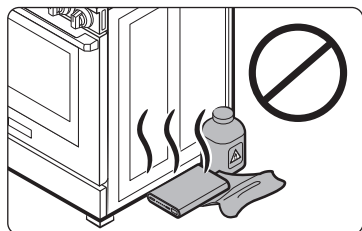
- **No toque** ninguna pieza de la estufa, incluidas las superficies interiores mientras cocina o inmediatamente después de haberlo hecho.

- **Asegúrese de** que el **dispositivo antiinclinación** esté bien instalado en la estufa. Consulte las instrucciones de instalación para obtener más información.
- **No permita que los niños se acerquen** ni se suban a la estufa, ni que se metan dentro de ella. No les permita jugar con la estufa ni con ninguna de sus piezas. Tampoco deje a los niños sin supervisión en un área donde se esté usando la estufa. Para la seguridad de los niños, se recomienda usar la función de traba de controles y puerta.
- **Retire** todos los materiales de embalaje del dispositivo para evitar la ignición. Mantenga todos los materiales de embalaje fuera del alcance de los niños. Deseche los materiales de embalaje de forma adecuada después de desembalar la estufa.
- **No guarde** objetos que les puedan resultar interesantes a los niños sobre la placa de cocción ni en el protector trasero de la estufa. Si los niños trepan a la estufa para alcanzar estos objetos, esto podría dar lugar a heridas graves o la muerte.
- **No opere** la estufa si tiene alguna parte dañada, funciona mal o le faltan piezas.
- **No utilice** la estufa como calentador de ambiente. Debe usarse solo para cocinar.
- **No utilice** limpiadores o cubiertas para horno dentro de este ni alrededor de alguna de sus piezas.
- **Utilice** únicamente agarradores aislantes secos.
- **No utilice** la estufa para calentar comida en envases cerrados.
- **No golpee** el vidrio del horno.
- Cuando se deshaga de la estufa, **corte** el cable de alimentación y **quite** la puerta.
- **Desenchufe o desconecte** la energía eléctrica antes de realizar el servicio técnico.
- **Asegúrese de** que toda la carne roja y de ave se cocine completamente. La carne roja siempre se debe cocinar a una temperatura interna de 160 °F (71 °C). La carne de ave siempre se debe cocinar a una temperatura interna de 180 °F (82 °C).

Seguridad contra incendios

⚠ ADVERTENCIA

Para reducir el riesgo de incendio, descargas eléctricas, lesiones y muerte, respete estas precauciones.

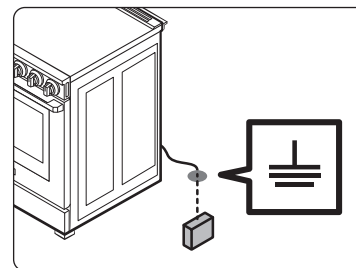


- **No guarde, coloque o use** materiales inflamables o combustibles como carbón, papel, plástico, agarradores aislantes, revestimientos, cortinas, gasolina ni otros líquidos o vapores inflamables cerca de la estufa ni dentro de ella.
- **No use** prendas amplias ni colgantes mientras utiliza la estufa.
- Para evitar la acumulación de grasa, **limpie regularmente** las ventilaciones.
- **No permita** que los agarradores aislantes u otros materiales inflamables toquen un elemento caliente. No utilice una toalla ni otra tela voluminosa como agarrador aislante.
- **No utilice** agua para apagar un incendio provocado por grasa. Para apagar un incendio provocado por grasa, apague el quemador y extinga el incendio con una tapa bien ajustada o use un extintor multipropósito de productos químicos secos o de espuma.
- Si ocurriera un incendio provocado por grasa en el horno, **apáguelo** girando la perilla de selección de modo a la posición **Apagado**. Mantenga el horno cerrado hasta que se extinga el fuego. Si fuera necesario, **utilice** un extintor multipropósito de productos químicos secos o de espuma.
- **No caliente** comida en recipientes cerrados; la presión puede causar que el recipiente estalle y provoque lesiones.

Seguridad eléctrica y de conexión a tierra

⚠ ADVERTENCIA

Para reducir el riesgo de incendio, descargas eléctricas, lesiones y muerte, respete estas precauciones.



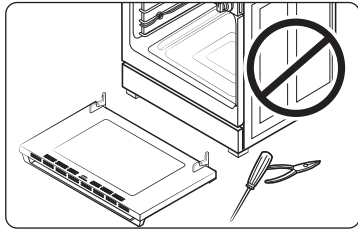
- Enchufe el artefacto a un tomacorriente de conexión a tierra de tres clavijas.
- **No retire** la clavija de conexión a tierra.
- **No utilice** un adaptador ni un alargue.
- **No utilice** un enchufe ni cable de alimentación dañados ni un tomacorriente flojo.
- **No modifique** el enchufe, el cable de alimentación ni el tomacorriente.
- **No coloque** un fusible en el circuito neutral o de conexión a tierra.
- Utilice un circuito eléctrico dedicado de CA, 240 voltios, 60 Hz y 40 amperes equipado con fusibles para esta estufa. Se recomienda un fusible de retardo o un disyuntor. No enchufe más de un artefacto en este circuito.
- Esta estufa **debe estar conectada a tierra**. En caso de que funcione mal o se averíe, la conexión a tierra reduce el riesgo de descarga eléctrica al proporcionar una vía de escape para la corriente eléctrica. Esta estufa está equipada con un cable que tiene un enchufe de conexión a tierra. El enchufe debe estar conectado firmemente a un tomacorriente bien instalado y conectado a tierra según los códigos y ordenanzas locales. Si no está seguro de que el tomacorriente esté conectado correctamente a tierra, un electricista matriculado debe verificarlo.
- El servicio eléctrico de la estufa debe ajustarse a los códigos locales. A excepción de los códigos locales, debe cumplir con la versión más reciente de ANSI/NFPA Nro. 70 (para los EE. UU.) o con el Código Eléctrico de Canadá CSA C22.1 o su versión más reciente.
- Es responsabilidad personal del propietario de la estufa proporcionar el servicio eléctrico correcto.

Información de seguridad importante

Seguridad de la instalación

⚠ ADVERTENCIA

Para reducir el riesgo de incendio, descargas eléctricas, lesiones y muerte, respete estas precauciones.



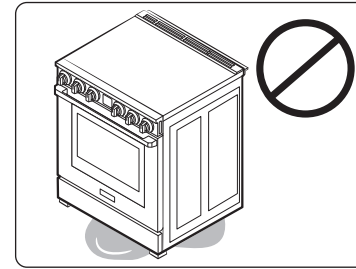
- Un **instalador calificado** debe instalar y conectar a tierra correctamente su estufa, según las instrucciones de instalación.

- **No intente** reparar, modificar ni reemplazar la estufa o alguna de sus piezas, excepto que se recomiende específicamente en este manual. Todos los otros servicios técnicos los debe realizar un técnico de servicio calificado.
- **Asegúrese de** que el dispositivo antiinclinación esté bien instalado en la estufa. Consulte las instrucciones de instalación para obtener más información.
- Debido al tamaño y peso de la estufa, necesita **dos personas o más** para moverla.
- **Retire** toda la cinta y el empaquetado.
- **Retire** todos los accesorios de la placa de cocción y el horno. Tenga cuidado al manipularlas.
- **Asegúrese** de que no se suelten piezas durante el transporte.

Seguridad de la ubicación

⚠ ADVERTENCIA

Para reducir el riesgo de incendio, descargas eléctricas, lesiones y muerte, respete estas precauciones.

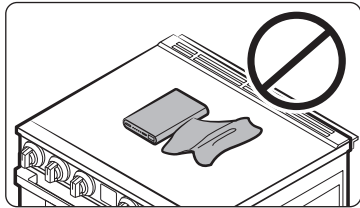


- Esta estufa es solo para uso interior y doméstico. **No instale** la estufa en áreas expuestas al agua o a condiciones meteorológicas adversas.
- **No instale** la estufa en un sitio expuesto a una corriente de aire fuerte.
- Elija un piso nivelado y bien construido que pueda aguantar el peso de la estufa. El piso sintético, como el linóleo, debe aguantar temperaturas de 180 °F (82 °C) sin achicarse, deformarse o decolorarse. **No instale** la estufa directamente sobre alfombras de cocina, excepto que coloque una lámina de madera contrachapada de ¼ de pulgada o un aislante similar entre el artefacto y la alfombra.
- Elija una ubicación desde la cual se pueda acceder fácilmente al tomacorriente de conexión a tierra de tres clavijas.
- Si coloca la estufa cerca de una ventana, **no cuelgue** cortinas o persianas de papel largas en esa ventana.
- Para que la estufa se ventile correctamente, asegúrese de que los conductos de ventilación no estén bloqueados y que haya distancia suficiente arriba, atrás, en los costados y debajo de la estufa. Las ventilaciones permiten la salida de aire necesaria para que la estufa funcione adecuadamente con la combustión correcta y se obtengan buenos resultados de cocción.
- **Asegúrese** de que los revestimientos de las paredes alrededor de la estufa puedan soportar un calor de hasta 194 °F (90 °C) generado por el artefacto.
- Evite colocar muebles de almacenamiento arriba de la superficie de la estufa. Si necesita muebles de almacenamiento arriba de la estufa, deje una distancia mínima de 30 pulgadas (76,2 cm) entre la superficie de cocción y la base de los muebles, o instale una campana extractora que cubra horizontalmente un mínimo de 5 pulgadas (12,7 cm) la base de los muebles. Para obtener más información, consulte la sección **"Minimum dimensions"** en la página 10.

Seguridad de la placa de cocción

⚠ ADVERTENCIA

Para reducir el riesgo de incendio, descargas eléctricas, lesiones y muerte, respete estas precauciones.



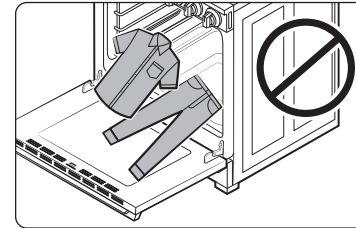
- **Asegúrese** de apagar todos los elementos cuando no estén en uso.
- **No utilice** papel de aluminio para cubrir ninguna parte de la placa de cocción.
- **No deje** los elementos sin supervisión en configuraciones de calor medio o alto.

- **No ponga** objetos que no sean utensilios de cocina sobre la placa de cocción.
- Antes de retirar o cambiar los utensilios, apague los elementos.
- Quite la comida y los utensilios de cocina inmediatamente después de cocinar.
- Para evitar un envenenamiento por monóxido de carbono, **no vierta** agua en la placa de cocción mientras limpia.
- Manténgase lejos de la estufa al freír.
- Para freír, caliente el aceite despacio y supervise la operación. Cuando fría alimentos a alta temperatura, supervise detenidamente el proceso de cocción. Si combina grasas y aceites al freír, mézclelos antes de calentarlos.
- Utilice un termómetro de freidora siempre que sea posible. Esto evita sobrecalentar la freidora más allá del punto de ahumado.
- Utilice una cantidad mínima de aceite cuando fría en una sartén poco profunda o en una freidora. Evite cocinar alimentos congelados o con una cantidad excesiva de hielo.
- Antes de mover los utensilios de cocina llenos de aceite o grasa, asegúrese de que se hayan enfriado por completo.
- Para evitar la ebullición eruptiva retrasada, deje que los líquidos calientes permanezcan al menos 20 segundos después de que apague el elemento, de manera que la temperatura del líquido se pueda estabilizar. En caso de quemaduras, siga las instrucciones de primeros auxilios a continuación:
 - Sumerja la zona quemada en agua fría o tibia por al menos 10 minutos.
 - No aplique cremas, aceites ni lociones.
 - Cubra con un paño limpio y seco.

Seguridad del horno

⚠ ADVERTENCIA

Para reducir el riesgo de incendio, descargas eléctricas, lesiones y muerte, respete estas precauciones.



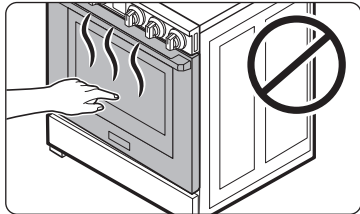
- **No utilice** el horno para fines que no sean de cocina, como secar ropa o almacenar objetos. Utilice el horno solo para cocinar.
- **Asegúrese** de que la parte interior de la rejilla divisoria del horno esté en la posición correcta dentro de la rejilla más grande.
- **Asegúrese** de que las parrillas del horno se encuentren al mismo nivel en cada lado.
- **No dañe, mueva ni limpie** la junta de la puerta.
- **No rocíe** agua sobre el vidrio del horno mientras este se encuentre encendido ni inmediatamente después de apagarlo.
- **No utilice** papel o cubiertas de aluminio en ninguna parte del horno. No utilice papel aluminio ni otro material similar para cubrir orificios o pasajes en el fondo del horno o para cubrir una rejilla.
- Aléjese del horno cuando abra la puerta.
- No deje que se acumule grasa en el horno.
- Cuando vuelva a colocar las parrillas del horno, **asegúrese** de que este esté completamente frío.
- Para evitar dañar las perillas de control de los elementos, siempre que hornee o gratine, hágalo con la puerta del horno cerrada.
- Cuando cocine o ase bolsas en el horno, siga las instrucciones del fabricante.
- Mantenga los conductos de ventilación del horno, debajo de la caja de control, libres de obstrucciones. Esta área podría calentarse al usar el horno. Nunca bloquee esta ventilación ni coloque plásticos u objetos sensibles al calor sobre ella.

Información de seguridad importante

Seguridad del horno autolimpiante

⚠ ADVERTENCIA

Para reducir el riesgo de incendio, descargas eléctricas, lesiones y muerte, respete estas precauciones.



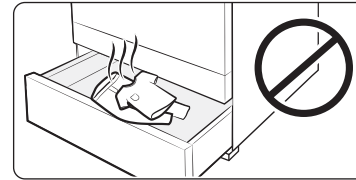
- La función de autolimpieza opera el horno a temperaturas lo suficientemente altas como para quemar restos de comida dentro del horno. La estufa estará extremadamente caliente durante el ciclo de autolimpieza. **No toque** ninguna superficie de la estufa durante un ciclo de autolimpieza.

- Mantenga a los niños alejados del horno durante la totalidad del ciclo.
- Antes de comenzar el ciclo autolimpiante, **quite** todas las rejillas, los utensilios de cocina y los utensilios del horno. Solo se pueden dejar rejillas recubiertas en porcelana.
- Antes de comenzar el ciclo autolimpiante, quite la grasa y los restos de comida del horno.
- **No ponga** el cajón inferior en la cavidad del horno cuando haga correr el ciclo autolimpiante.
- Cuando abra la puerta después de un ciclo autolimpiante, manténgase alejado del horno.
- Si el ciclo autolimpiante funciona mal, apague el horno, desconecte la alimentación de energía y comuníquese con un técnico de servicio calificado.

Seguridad del cajón de almacenamiento

⚠ ADVERTENCIA

Para reducir el riesgo de incendio, descargas eléctricas, lesiones y muerte, respete estas precauciones.



- **No utilice** el cajón para fines que no sean de cocción, como secar ropa o guardar objetos. Utilice el cajón solo para cocinar.

- **No toque** la superficie interior del cajón o los elementos calientes.
- Para evitar quemaduras por el vapor, tenga cuidado cuando abra el cajón.
- **No utilice** papel aluminio para revestir el cajón.
- **No coloque** el cajón en el horno. **No coloque** el cajón en el horno durante el ciclo autolimpiante.
- **No deje** recipientes con grasa en el cajón ni cerca de él.

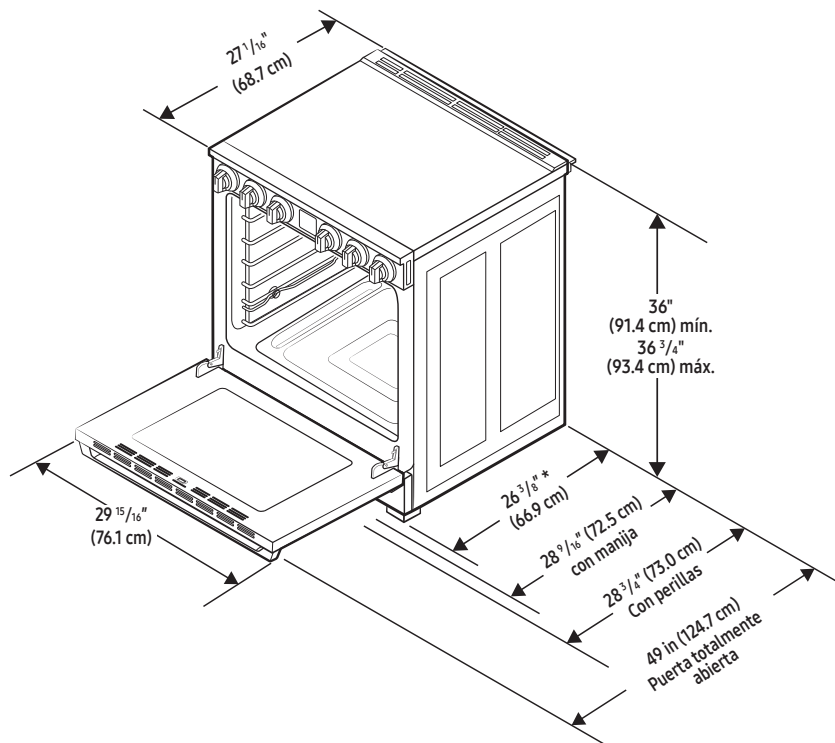
Advertencia de la Propuesta 65 de California

⚠ ADVERTENCIA

Cáncer y daño reproductivo: www.P65Warnings.ca.gov.

Componentes de la estufa

MODELO DOP30**401*



* Sería de 26 7/16" (67.1 cm) si se aplica el kit de relleno trasero opcional.

Requisitos de instalación

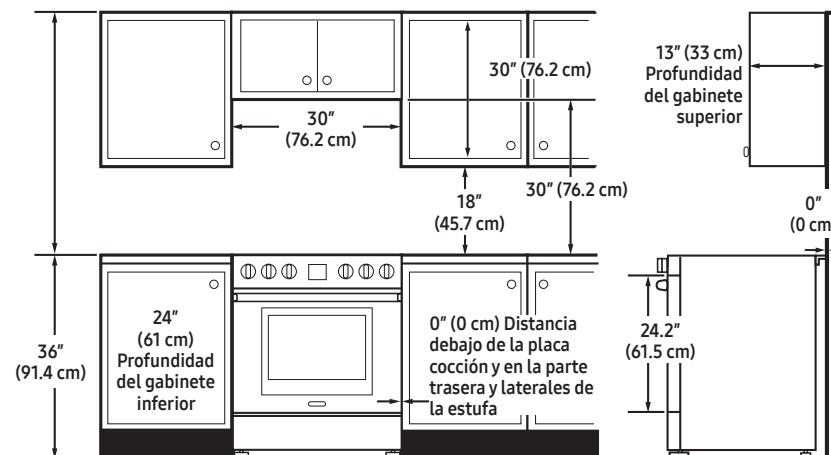
Revisar el emplazamiento de instalación

Distancias y dimensiones

Para instalar la estufa, consulte la siguiente figura.

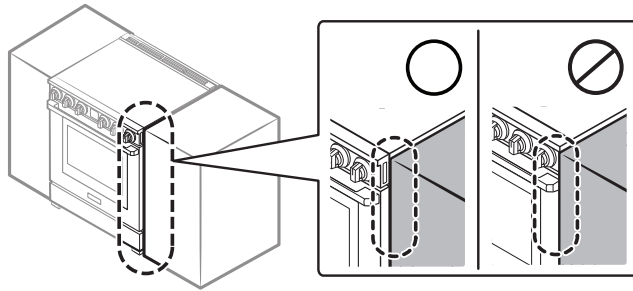
⚠ PRECAUCIÓN

Esta estufa fue diseñada para cumplir con las temperaturas máximas permitidas del gabinete de madera de 194 °F. Asegúrese de que el revestimiento de las paredes, las mesadas y los gabinetes alrededor de la estufa puedan soportar el calor (hasta 194 °F) generado por la estufa. Si no lo soportan, puede ocurrir decoloración, delaminación o derretimiento.



Componentes de la estufa

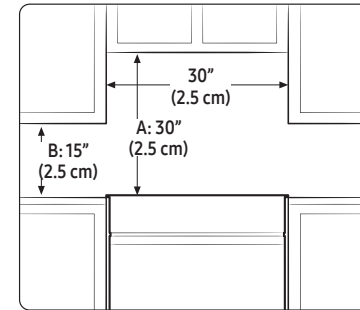
Requisitos de instalación



PRECAUCIÓN

NO instale el horno de manera que la puerta quede a la altura del gabinete.

Dimensiones mínimas



IMPORTANTE: Para eliminar el riesgo de quemaduras o incendios al intentar alcanzar objetos sobre las unidades de superficie calientes, evite que el espacio de almacenamiento del gabinete esté situado por encima de las unidades de superficie. Si dispone de espacio de almacenamiento en los gabinetes sobre los elementos calefactores, puede reducir el riesgo instalando una campana extractora que sobresalga horizontalmente un mínimo de 5 pulgadas por encima de la parte inferior de los gabinetes.

- A. Se requiere una distancia mínima de 30" entre la parte superior de la superficie de cocción y la parte inferior de un gabinete de madera o metal sin protección; o un mínimo de 24" si la parte inferior del gabinete de madera o metal está protegida por no menos de 1/4" de cartón fresado retardante de llama cubierto con chapa de acero MSG no inferior al acero inoxidable n.º 28 de 0.015", aluminio de 0.024" o cobre de 0.020".
- B. Se requiere una distancia mínima de 15" entre la mesada y la parte inferior del gabinete adyacente.

PRECAUCIÓN

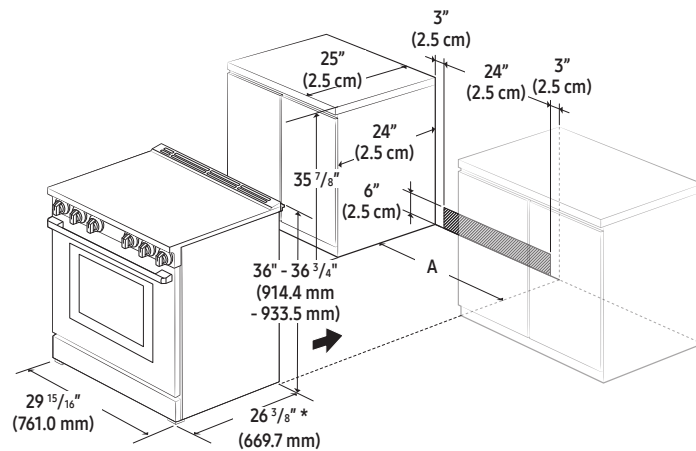
Es posible que las ventilaciones despidan vapores. Es normal, pero deberá tener precaución, ya que pueden ser muy calientes. Dependiendo del material de la pared, los vapores calientes pueden mancharla.

Guía de instalación

IMPORTANTE:

Para eliminar el riesgo de quemaduras o incendios al intentar alcanzar objetos sobre las unidades de superficie calientes, evite que el espacio de almacenamiento del gabinete esté situado por encima de las unidades de superficie. Si dispone de espacio de almacenamiento en los gabinetes sobre los elementos calefactores, puede reducir el riesgo instalando una campana extractora que sobresalga horizontalmente un mínimo de 5 pulgadas por encima de la parte inferior de los gabinetes.

Guía de instalación



* Sería de 26 7/16" (671.7 mm) si se aplica el kit de relleno trasero opcional.

A: Abertura del gabinete 30 pulgadas (76.2 cm)

IMPORTANTE: Si su gabinete tiene una altura superior a 37", esta estufa no puede ser instalada sin una unidad de soporte como un bloque de hormigón.

⚠ PRECAUCIÓN

Debe utilizar el kit de relleno trasero para instalar la estufa en un gabinete independiente. Para obtener más información, consulte la sección "Kit de relleno trasero opcional" a continuación.

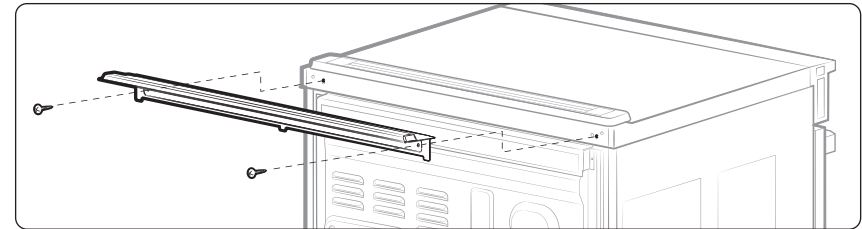
Kit de relleno trasero opcional

⚠ ADVERTENCIA

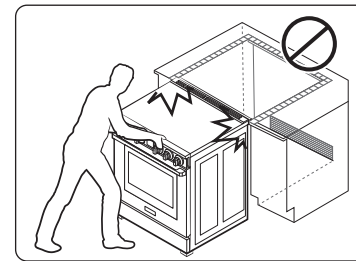
Se usa para rellenar la brecha entre la parte posterior de la estufa y la pared. Se agrega una banda de relleno a la parte trasera de la estufa. Este kit solo puede usarse cuando la abertura de la mesada es de 25" de profundidad.

📄 NOTA

Si la profundidad de la mesada es superior a 25", habrá una separación entre el kit de relleno y la pared posterior.

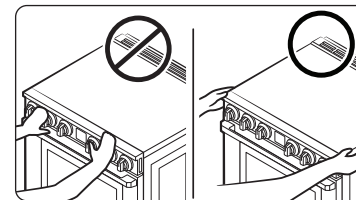


Para evitar roturas



⚠ PRECAUCIÓN

- **NO** empuje fuertemente la unidad cuando la instale. Esto podría dañarla.
- Sujete la zona superior izquierda y derecha de la puerta (no la manija de la puerta) con ambas manos y empuje la unidad hacia dentro. No agarre la manija de la puerta ni empuje las perillas de los elementos.



Requisitos de instalación

⚠ PRECAUCIÓN

NO levante ni manipule la unidad por el marco de la placa de cocción.

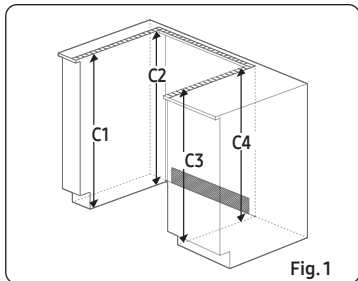
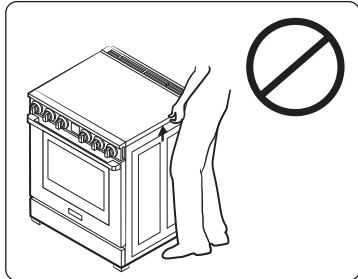
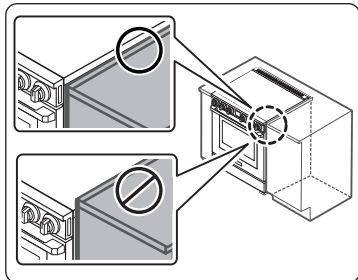


Fig. 1



1. La mesada alrededor del borde debe estar plana y nivelada (consulte la zona sombreada de la Fig. 1).
2. Antes de instalar la unidad, mida las alturas de los dos laterales del gabinete (C1 ~ C4), frontal y posterior (consulte la Fig. 1) desde el suelo hasta la parte superior de la mesada.
3. Nivele la estufa utilizando las cuatro patas niveladoras de modo que la altura desde el suelo a la parte inferior del marco de la placa de cocción sea mayor que la medida del armario más alto **en al menos** $\frac{1}{16}$ ".
4. Deslice la unidad en el gabinete (**NO EMPUJE FUERTEMENTE LA UNIDAD**). Asegúrese de que el centro de la unidad esté alineado con el centro del borde del gabinete.
5. El reborde metálico situado debajo de cada lado de la placa de cocción **DEBE** colocarse sobre la mesada del gabinete para que la unidad quede bien sujeta. La placa de cocción **NO** debe apoyarse directamente sobre la mesada, de lo contrario podría causar daños en la misma, lo que anularía la garantía. Si es necesario, nivele la unidad.

Requisitos eléctricos

⚠ ADVERTENCIA

Para reducir el riesgo de incendios, descargas eléctricas o lesiones, respete estas precauciones:

Todas las estufas

- No utilice un alargue ni un enchufe adaptador con esta estufa.
- Esta estufa debe estar correctamente conectada a tierra.
- Consulte a un electricista calificado si no está seguro de si su estufa está correctamente conectada a tierra.
- Todo el cableado y la conexión a tierra deben cumplir con los códigos locales o, en su ausencia, con la versión más reciente del Código Eléctrico Nacional ANSI/NFPA n.º 70 (EE. UU.) o las versiones más recientes del Código Eléctrico de Canadá CSA C22.1 y los códigos y ordenanzas locales.
- El diagrama de cableado se encuentra en la parte trasera de la estufa. (Dentro del cable posterior de la cubierta)
- Esta estufa está equipada con un sistema de encendido electrónico que no funcionará si se conecta a un tomacorriente que no esté correctamente polarizado.
- Se requiere un servicio eléctrico aprobado de 240 voltios, 60 Hz, CA, con disyuntor de 40 amperios o fusible de retardo para todos los modelos estadounidenses y canadienses.
- Compruebe que haya un alivio de tensión con certificación UL de $\frac{3}{4}$ " (1.9 cm) donde el cable de alimentación sale del gabinete de la estufa.
- No reutilice un cable de alimentación de una estufa anterior u otro artefacto.
- El cableado de alimentación eléctrica debe retenerse en el gabinete de la estufa con un aliviador de tensión UL adecuado.
- También se recomienda un fusible de retardo o un disyuntor.

Conexión a tierra

- Todas las estufas deben estar conectadas a tierra por seguridad personal.
- El enchufe debe estar conectado firmemente a un tomacorriente de 3 o 4 clavijas bien instalado y conectado a tierra según los códigos y ordenanzas locales. En caso de que funcione mal o se averíe, la conexión a tierra reduce el riesgo de descarga eléctrica al proporcionar una vía de escape para la corriente eléctrica.
- No utilice un enchufe dañado ni un tomacorriente de pared flojo.
- No utilice un alargue ni un enchufe adaptador con este artefacto.
- Bajo ninguna circunstancia corte, modifique, quite o anule la conexión a tierra. Si el enchufe y el tomacorriente no coinciden o tiene alguna duda, solicite a un electricista calificado que instale un tomacorriente adecuado.
El cliente debe hacer que un electricista calificado revise el tomacorriente de pared y el circuito para asegurarse de que el tomacorriente esté conectado a tierra de manera correcta. No se requieren ni se recomiendan interruptores de circuito por falla a tierra (GFCI) para los receptáculos de la estufa.
- **NUNCA** conecte un cable de conexión a tierra a cañerías de plomería de plástico, tuberías de gas o de agua.

⚠ PRECAUCIÓN

El hecho de no seguir estas instrucciones puede ser causa de muertes, incendios o fallas eléctricas.

Situaciones de uso en las que el cable de alimentación del artefacto se desconectará con frecuencia

No utilice un enchufe adaptador en estas situaciones, ya que la desconexión del cable de alimentación somete al adaptador a una tensión excesiva y puede provocar el fallo del terminal de tierra del adaptador. Los enchufes de 240 V tienen 3 o 4 clavijas y no se suministran con la unidad.

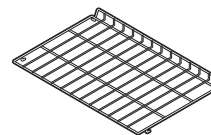
Requisitos de instalación adicionales en casas rodantes

La instalación de los electrodomésticos diseñados para casas rodantes debe cumplir con la Norma de Construcción y Seguridad de Casas Prefabricadas, Título 24 CFR, Parte 3280 (denominada anteriormente Norma Federal para la Construcción y la Seguridad de Casas Rodantes, Título 24, HUD, Parte 280) o, cuando no corresponda su aplicación, la versión más reciente de la Norma para Instalaciones en Casas Prefabricadas (lugares para casas prefabricadas, comunidades y armados), la versión más reciente de ANSI A225.1, o los códigos locales. En Canadá, la instalación de casas rodantes debe cumplir con el Código de Instalación de Casas Rodantes CAN/CSA Z240/MH actual.

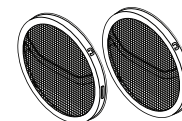
Herramientas y materiales

Contenido de la caja

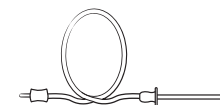
Piezas suministradas



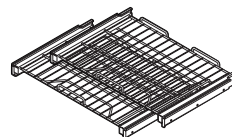
Parrilla plana (1)



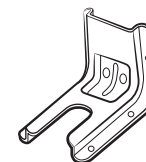
Filtros de convección (2)



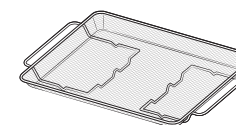
Sonda de temperatura (1)



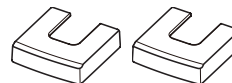
Parrillas deslizantes (2)



Ménsula antiinclinación (1)



Bandeja de la Air Fry (1)



Cubiertas de la pata (2)



Kit de relleno (1) y tornillos (2)

📖 NOTA

- Asegúrese de haber recibido todas las piezas suministradas que se indican arriba.
- Si su estufa se dañó durante el envío o si le falta alguna de las piezas, comuníquese con su vendedor local.

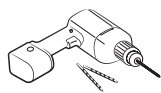
Herramientas y materiales

Piezas necesarias



Cable de 4 o 3 conductores

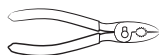
Herramientas necesarias



Taladro



Llave ajustable



Pinzas



Llave para tuercas de 1/4"



Destornillador Phillips



Destornillador de punta plana



Lápiz



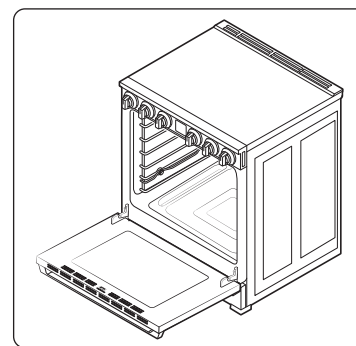
Nivel

Instrucciones de instalación

Instalar la estufa

NOTA

- **IMPORTANTE:** Lea las siguientes instrucciones, así como la sección "Instrucciones de seguridad importantes" en la parte delantera de este manual, completa y cuidadosamente ANTES de instalar o hacer funcionar la estufa por inducción. La instalación, los ajustes, el servicio técnico o el mantenimiento incorrectos pueden causar lesiones personales o daños materiales.



- Para pedir piezas o accesorios, comuníquese con su vendedor local o consulte la última página.
- Para garantizar una instalación correcta, le recomendamos que contrate a un instalador profesional.

Paso 1. Desembale la estufa.

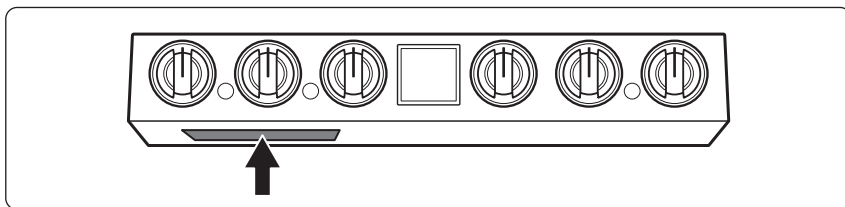
Retire todo el empaquetado. Si no quita todo el empaquetado, se puede dañar el artefacto. Compruebe que estén todas las piezas sueltas viendo el resumen '**Parts supplied**' de la página 13. Verifique que no haya habido daños durante el envío y que no falten piezas. Si falta alguna pieza o hay algún daño, debe comunicárselo a su vendedor local.

Paso 2. Cumplir los requisitos de conexión eléctrica

⚠ PRECAUCIÓN

Por su seguridad personal, no utilice un alargue con este artefacto. Quite el fusible de la casa o abra el disyuntor antes de comenzar la instalación.

Este artefacto debe ser alimentado con el voltaje y la frecuencia adecuados, y conectado a un circuito derivado individual debidamente con conexión a tierra y protegido por un disyuntor o fusible con el amperaje especificado en la placa. La placa de especificaciones se encuentra en la parte inferior del panel de control.



Le recomendamos que encargue la instalación eléctrica de su estufa a un electricista calificado. Después de la instalación, pídale a su electricista que le muestre dónde está la desconexión principal de su estufa.

Consulte a la empresa eléctrica local los códigos eléctricos vigentes en su zona. Si no se realiza el cableado en el horno de acuerdo con las normas vigentes, pueden producirse situaciones de peligro. Si no existen códigos locales, su estufa debe estar cableada y con fusibles que cumplan los requisitos del Código Eléctrico Nacional, ANSI/NFPA No. 70-Última Edición.

Puede obtener una copia escribiendo a la siguiente dirección:

National Fire Protection Association
Batterymarch Park
Quincy, MA 02269

Desde el 1 de enero de 1996, el Código Eléctrico Nacional exige que las construcciones nuevas (no existentes) se realicen con una conexión de 4 conductores a una estufa eléctrica.

Cuando instale una estufa eléctrica en una construcción nueva, siga los pasos 2 y 3 para la conexión de 4 cables.

Debe usar una CA de fase única con cables de 3 o 4 conductores. Sistema eléctrico de 208Y/120 voltios o 240/120 voltios, 60 hercios.

Si el servicio eléctrico suministrado no cumple las especificaciones anteriores, solicite a un electricista autorizado que instale un tomacorriente aprobado.

Utilice únicamente un cable de estufa aprobado por UL de 3 o 4 conductores. Estos cables pueden estar provistos de terminales de anillo en el cable y un dispositivo de alivio de tensión.

Se requiere un cable de estufa de 40 amperios con un alcance mínimo de 125/250 voltios.

No se recomienda un cable de estufa de 50 amperios, pero si se utiliza, debe estar marcado para su uso con aberturas de conexión de 1 3/8" de diámetro nominal. Se debe tener cuidado de centrar el cable y el alivio de tensión dentro del orificio ciego para evitar que el borde dañe el cable.

Dado que no se puede acceder a los terminales de la estufa una vez colocada, se debe utilizar un conducto o cable de servicio flexible.

📖 NOTA

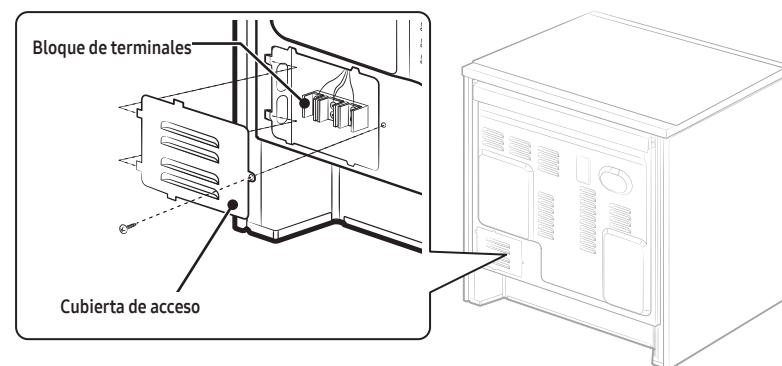
Si se utiliza un conducto, consulte el **Paso 5** en las páginas 17 a 18.



TODAS LAS CONSTRUCCIONES NUEVAS DE CIRCUITOS DERIVADOS, CASAS RODANTES, VEHÍCULOS RECREATIVOS E INSTALACIONES EN LAS QUE LOS CÓDIGOS LOCALES NO PERMITEN LA CONEXIÓN A TIERRA A TRAVÉS DEL NEUTRO, REQUIEREN UN CABLE DE AUTONOMÍA DE 4 CONDUCTORES APROBADO POR UL.

Paso 3. Acceder a la conexión del cable de alimentación

Retire la tapa de acceso posterior y afloje el tornillo con un destornillador. Así tendrá acceso al bloque de terminales.



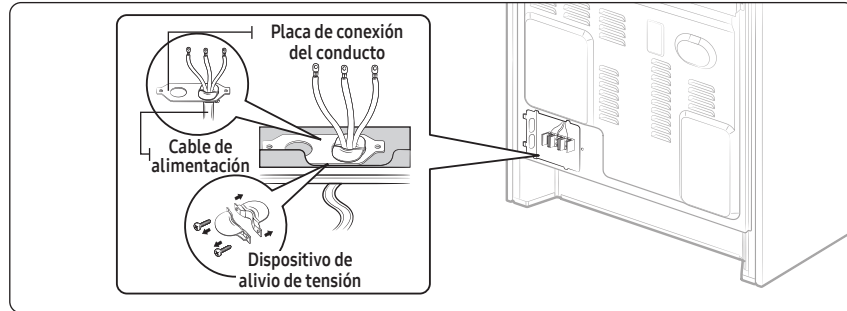
Instrucciones de instalación

Potencia nominal especificada del kit de cable de alimentación

Potencia nominal, vatios		Potencia nominal especificada del kit de cable de alimentación, amperios	Diámetro (pulgadas) de la abertura de conexión del alcance	
3 conductores 120/240 voltios	3 conductores 120/208 voltios		Cable de alimentación	Conducto
8750 - 16500	7801 - 12500	40 o 50 A	1 3/8"	1 1/8"

Paso 4. Instalar el cable de alimentación

Para la instalación del cable de alimentación, enganche el aliviador de tensión sobre el orificio del cable de alimentación (1 3/8") situado debajo de la parte trasera del cajón. Introduzca el cable de alimentación a través de la descarga de tracción y ajuste el dispositivo.



- Debe instalar el cable de alimentación con un aliviador de tensión.
- Coloque el aliviador de tensión en la abertura de 1 3/8" de la placa de conexión del conducto.

⚠ PRECAUCIÓN

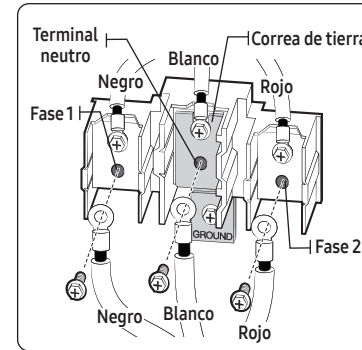
Debe revisar el voltaje luego de conectar el cable de alimentación.

Fase 1: neutro	120 V
Fase 2: neutro	120 V
Fase 1- Fase 2	208 V/240 V

Instalar un cable de alimentación de 3 conductores

⚠ ADVERTENCIA

El conductor neutro o de conexión a tierra del cable de alimentación debe conectarse al terminal neutro situado en el centro del bloque de terminales. Los cables de alimentación deben conectarse a los terminales inferior izquierdo e inferior derecho del bloque de terminales.

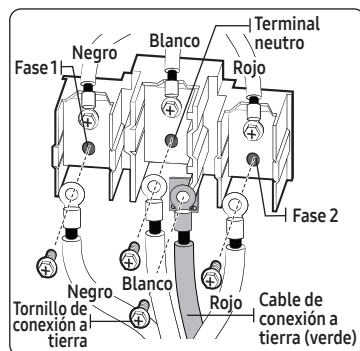
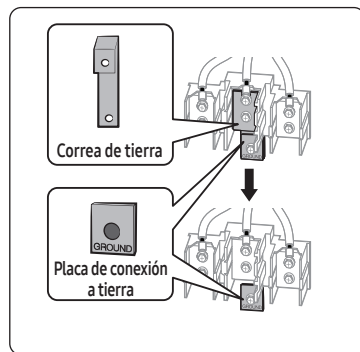


1. Retire los 3 tornillos del terminal inferior del bloque de terminales.
2. Inserte los 3 tornillos de los terminales a través de cada anillo terminal del cable de alimentación y en los terminales inferiores del bloque de terminales. Asegúrese de que el cable central (blanco/neutro) está conectado a la posición central inferior del bloque de terminales.
3. Ajuste los tornillos en el bloque de terminales. **NO retire la conexión de la correa de conexión a tierra.**
4. Vaya al **Paso 6** en la página **19** y proceda con la instalación.

Instalar un cable de alimentación de 4 conductores

⚠ ADVERTENCIA

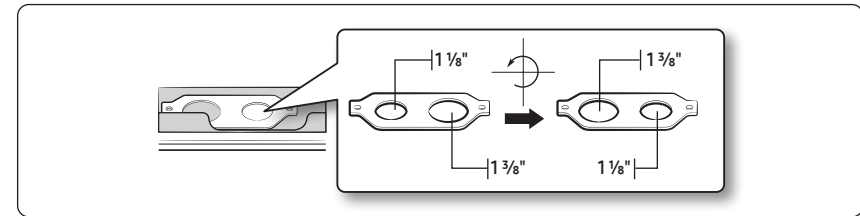
El conductor neutro del circuito de suministro debe conectarse al terminal neutro situado en el centro del bloque de terminales. Los cables de alimentación deben conectarse a los terminales inferior izquierdo e inferior derecho del bloque de terminales. El cuarto cable de conexión a tierra debe conectarse al marco de la estufa con la placa y el tornillo de conexión a tierra.



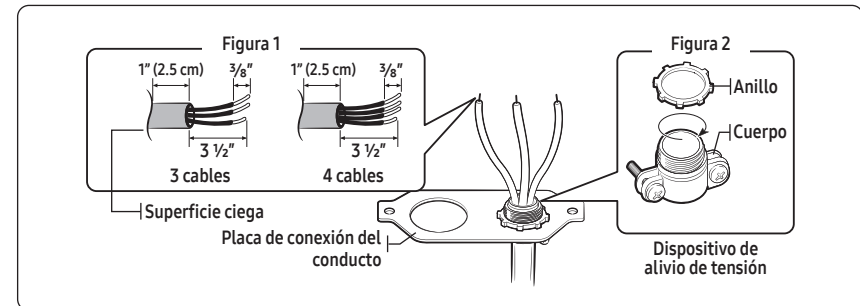
1. Retire los 3 tornillos del terminal inferior del bloque de terminales. Retire el tornillo y la placa de tierra y guárdelos.
2. **Corte y tire la correa de tierra. No deseche los tornillos.**
3. Inserte el tornillo de conexión a tierra en el anillo terminal del cable de alimentación, a través de la placa de conexión a tierra, y en el marco de la estufa.
4. Inserte los 3 tornillos de los terminales (que había quitado antes) a través de cada anillo terminal del cable de alimentación y en los terminales inferiores del bloque de terminales. Asegúrese de que el cable central (blanco/neutro) está conectado a la posición central inferior del bloque de terminales. Ajuste los tornillos en el bloque de terminales.
5. Vaya al **Paso 6** en la página 19 y proceda con la instalación.

Paso 5. Instalar el conducto

Retire la placa de conexión del conducto de la parte posterior del cajón y gírela como se muestra a continuación. Debe usarse el orificio del conducto (1 1/8").



1. Prepare el cable del conducto que se muestra en la Figura 1.
2. Instale el cable del conducto como se muestra en la Figura 2.



Para instalaciones de conducto, inserte el dispositivo de alivio de tensión (no incluido) en el orificio del conducto (1 1/8"). Después, pase el cable del conducto por el cuerpo del aliviador de tensión y fije el anillo. Vuelva a instalar el soporte.

⚠ PRECAUCIÓN

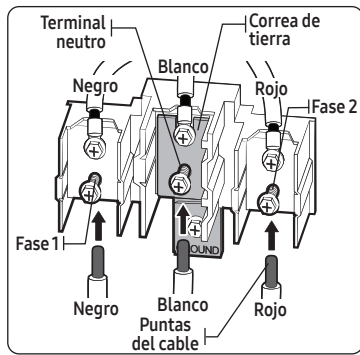
Debe revisar el voltaje luego de conectar el cable de alimentación.

Fase 1: neutro	120 V
Fase 2: neutro	120 V
Fase 1- Fase 2	208 V/240 V

Instrucciones de instalación

Instalar un conducto de 3 conductores

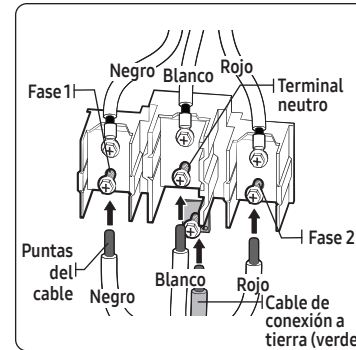
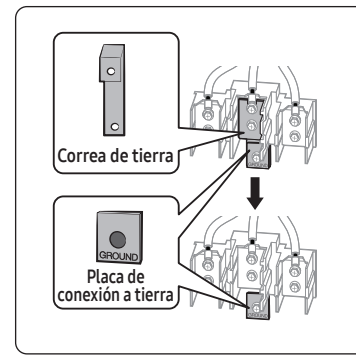
- Se puede utilizar cable de aluminio para la construcción, pero debe tener el amperaje y la tensión adecuados para realizar la conexión. Conecte los cables según el Paso 4 en función del número de cables.
- El cableado utilizado, la ubicación y la caja de empalmes, etc., deben ajustarse a las prácticas recomendadas de cableado y a los códigos locales.



1. Afloje los 3 tornillos del terminal inferior del bloque de terminales.
2. Introduzca la punta del cable pelado central (blanco/neutro) a través de la abertura central inferior del bloque de terminales. En ciertos modelos, el cable tendrá que insertarse a través de la abertura de la correa de tierra y luego en la abertura del bloque central inferior.
3. Inserte las dos puntas de los cables pelados laterales en las aberturas del bloque de terminales inferior izquierdo e inferior derecho.
4. Apriete los tornillos hasta que el cable quede firmemente sujeto (35 a 50"-lb). No ajuste los tornillos en exceso porque puede dañar los cables.
5. Vaya al **Paso 6** en la página 19 y proceda con la instalación.

Instalar un conducto de 4 conductores

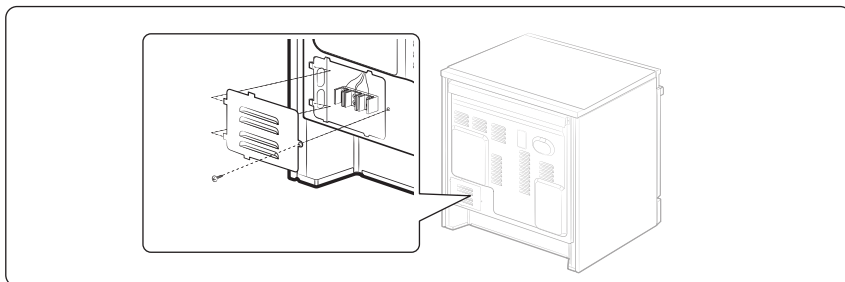
- Se puede utilizar cable de aluminio para la construcción, pero debe tener el amperaje y la tensión adecuados para realizar la conexión. Conecte los cables según el Paso 4 en función del número de cables.
- El cableado utilizado, la ubicación y la caja de empalmes, etc., deben ajustarse a las prácticas recomendadas de cableado y a los códigos locales.



1. Afloje los 3 tornillos del terminal inferior del bloque de terminales. Retire el tornillo y la placa de tierra y guárdelos.
2. **Corte y tire la correa de tierra. No deseche los tornillos.**
3. Introduzca la punta del cable desnudo de conexión a tierra entre el bastidor de la estufa y la placa de conexión a tierra (desmontada anteriormente). Luego fijela en su sitio con el tornillo de tierra (desmontado anteriormente).
4. Introduzca la punta del cable pelado (blanco/neutro) a través de la abertura central inferior del bloque de terminales.
5. Inserte las dos puntas de los cables pelados laterales en las aberturas del bloque de terminales inferior izquierdo e inferior derecho.
6. Apriete los tornillos hasta que el cable quede firmemente sujeto (35 a 50"-lb). No ajuste los tornillos en exceso porque puede dañar los cables.
7. Vaya al **Paso 6** y proceda con la instalación.

Paso 6. Reemplazar la cubierta de acceso

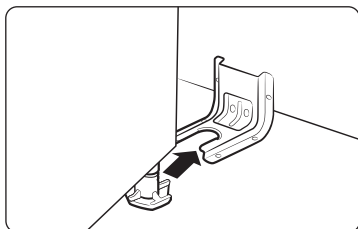
Reemplace la cubierta de acceso en la parte trasera de la estufa. Para reemplazar la cubierta del cable, inserte las dos pestañas en los bolsillos ubicados debajo de la abertura y ajuste el tornillo.



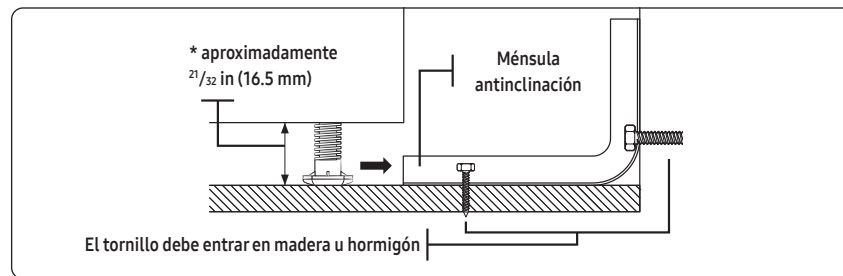
Paso 7. Instalar la ménsula antinclinación

⚠ ADVERTENCIA

- Para reducir el riesgo de inclinación, el aparato debe fijarse instalando correctamente la ménsula antinclinación embalada con el artefacto.
- Todas las estufas pueden inclinarse y provocar lesiones.
- La inclinación de las estufas puede causar quemaduras por derrames, lesiones o la muerte.
- Para evitar la inclinación accidental, instale y revise la ménsula antinclinación siguiendo las instrucciones y las plantillas que vienen con ella.



Con cada estufa se suministran una ménsula antinclinación y tornillos, instrucciones de instalación y una plantilla (PN DG94-00870B). Las instrucciones incluyen la información necesaria para completar la instalación de la ménsula antinclinación. Lea y siga las instrucciones de la hoja y utilice la plantilla para la instalación de la ménsula antinclinación. En caso de no instalarse correctamente, la estufa podría inclinarse si usted o un niño se pusieran de pie, se sentaran o se apoyaran sobre la puerta abierta del horno.



📖 NOTA

Para instalar la ménsula anti inclinación libere la pata niveladora. Se requiere una distancia mínima de $2\frac{1}{32}$ " (16.5 mm) entre la parte inferior de la estufa y el suelo de la cocina.

Para comprobar si la ménsula está instalada y encajada correctamente, retire el cajón de almacenamiento y mire debajo de la estufa para ver si la pata niveladora está encajada en la ménsula. Inclíne cuidadosamente la estufa hacia adelante. La ménsula debe impedir que la estufa se incline más 4" (10.2 cm). Si no lo hace, se debe volver a instalar la ménsula.

Si la estufa se separa de la pared por cualquier motivo, repita siempre este procedimiento para comprobar que la estufa está bien sujeta por la ménsula antinclinación. No retire nunca por completo las patas de nivelación o la estufa no quedará bien sujeta a la ménsula antinclinación.

Instrucciones de instalación

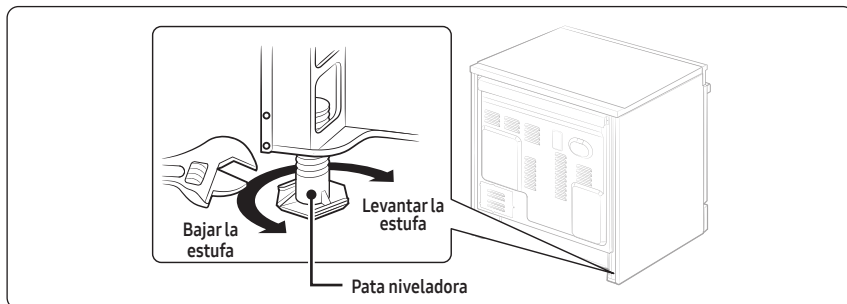
Paso 8. Enchufar y colocar

⚠ ADVERTENCIA

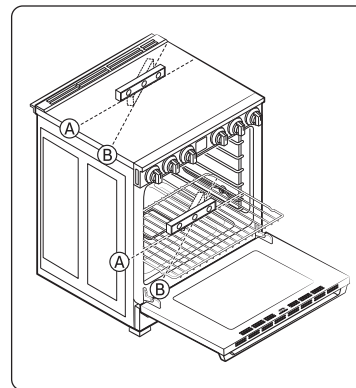
- **ANTES DE OPERAR O PROBAR, siga los requisitos de conexión a tierra de las páginas 12 de este manual. Una conexión a tierra inadecuada puede causar riesgo de descarga eléctrica.** Consulte "Electrical requirements" en las páginas 12.
 - Modificar cualquier parte de este sistema puede provocar un cortocircuito o una sobrecarga.
1. Enchufe el cable de alimentación. Asegúrese de que el tomacorriente cumpla con los códigos eléctricos locales o nacionales, tal y como se indica en las páginas 12.
 2. Deslice la estufa hacia su lugar.
 3. Compruebe que la pata trasera de la estufa se haya deslizado por la ménsula antinclinación. Con cuidado, incline la estufa hacia adelante para verificar que la ménsula antinclinación engancha el soporte trasero e imposibilita el vuelco.

Paso 9. Nivelar la estufa

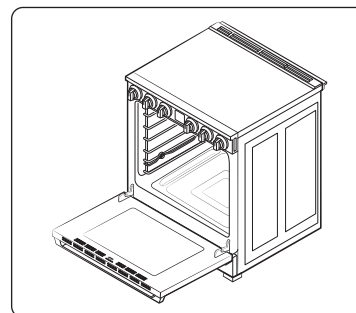
1. Instalar la ménsula con una plantilla
 - La ménsula antinclinación viene con una plantilla. Las instrucciones incluyen la información necesaria para completar la instalación. Lea y siga las instrucciones de la hoja (plantilla) para la instalación de la estufa.
2. Nivelar la estufa
 - Nivele la estufa regulando las patas niveladoras con una llave.



3. Revisar los ajustes

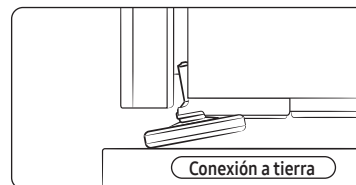


- Utilice un nivel de burbuja de aire para controlar los ajustes. Coloque el nivel en diagonal sobre la parrilla del horno o la superficie de la placa de cocción y confirme que la estufa esté nivelada en las dos direcciones que se muestran a continuación.
 - **A.** Revise la dirección A.
 - **B.** Revise la dirección B.
- Si el nivel de burbuja indica que la estufa no está nivelada, ajuste las patas de nivelación con una llave.



📖 NOTA

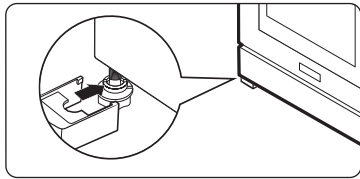
- Asegúrese de que la unidad esté bien nivelada y verifique si la puerta abre sin problemas.
- Si la puerta no se abre completamente, nivele la estufa ajustando las patas niveladoras traseras.
 - Modelo aplicado: DOP30**40I*
 - Aumente la altura de la parte posterior de la estufa.



⚠ PRECAUCIÓN

Para su seguridad, no intente modificar o enderezar las patas frontales. Las patas niveladoras frontales de la estufa están diseñadas para inclinarse y evitar una inclinación accidental.

Notas



4. Después de instalar y nivelar la estufa, instale las cubiertas de las patas delanteras (derecha e izquierda).

Paso 10. Lista de verificación final de la instalación

Ya completó la instalación de su estufa. Asegúrese de que todos los controles estén en la posición **Apagado** y que el flujo de aire de ventilación hacia la estufa no esté obstruido. La siguiente es una lista de verificación para confirmar que su estufa está instalada de forma segura y lista para su operación.

- La estufa está enchufada en el receptáculo que está correctamente conectado a tierra.
- Se instaló y se fijó correctamente la ménsula antinclinación aprobada con la estufa.
- La estufa está nivelada y se encuentra firme sobre una superficie sólida al nivel del suelo.
- Se probaron todos los elementos, y funcionan correctamente.

dacor



DG68-01672A-00

Teléfono de Dacor: 833-353-5483 (EE. UU.), 844-509-4659 (CANADÁ) · www.dacor.com

dacor

Manuel d'installation

Cuisinière à induction professionnelle

DOP30**40I*

Dispositif anti-basculement

AVERTISSEMENT

Pour réduire le risque de basculement de la cuisinière, celle-ci doit être immobilisée par un dispositif anti-basculement correctement installé.

APRÈS L'INSTALLATION DE LA CUISINIÈRE, VÉRIFIEZ QUE LE DISPOSITIF ANTI-BASCULEMENT A ÉTÉ CORRECTEMENT INSTALLÉ ET QU'IL EST CORRECTEMENT ENCLENCHÉ. Reportez-vous au manuel d'installation pour obtenir des instructions.

- a) Si le dispositif anti-basculement n'est pas installé, un enfant ou un adulte peut faire basculer la cuisinière et être tué.
- b) Vérifiez que le dispositif anti-basculement a été correctement installé et enclenché à l'arrière droite (ou arrière gauche) du bas de la cuisinière.
- c) Si vous déplacez la cuisinière puis la remettez en place, assurez-vous que le dispositif anti-basculement est réenclenché à l'arrière droit ou gauche du bas de la cuisinière.
- d) N'utilisez pas la cuisinière sans que le dispositif anti-basculement soit en place et enclenché.
- e) Le non-respect de cette consigne peut entraîner la mort ou des brûlures graves chez les enfants et les adultes.



Ne marchez pas, ne vous appuyez pas et ne vous asseyez pas sur les portes de la cuisinière. Vous pourriez faire basculer la cuisinière et subir des brûlures ou des blessures graves.

Vérifiez que le dispositif anti-basculement est correctement installé. Ensuite, pour vérifier que le dispositif anti-basculement est enclenché, saisissez le bord supérieur arrière de la cuisinière et essayez, avec précaution, de la faire basculer vers l'avant. Le dispositif anti-basculement doit empêcher la cuisinière de basculer vers l'avant de plus de quelques centimètres.

Si vous éloignez la cuisinière du mur pour une raison quelconque, vérifiez que le dispositif anti-basculement s'est bien réenclenché lorsque vous la repoussez contre le mur. Dans le cas contraire, la cuisinière risque de basculer et de provoquer des blessures si un enfant ou vous-même vous tenez debout, vous asseyez ou vous appuyez sur une porte ouverte.

Ne retirez jamais complètement les pieds de nivellement. Si vous les retirez, la cuisinière ne sera pas correctement fixée au dispositif anti-basculement.

Contenu

Avant de commencer	3
À propos de ce manuel	3
Informations de sécurité importantes	4
Lisez toutes les instructions avant d'utiliser cet appareil	4
Symboles utilisés dans ce manuel	4
Sécurité générale	4
Sécurité incendie	5
Sécurité électrique et mise à la terre	5
Sécurité de l'installation	6
Sécurité en matière d'emplacement	6
Sécurité de la table de cuisson	7
Sécurité du four	7
Sécurité du four autonettoyant	8
Sécurité du tiroir de rangement	8
Avertissement relatif à la proposition 65 de l'État de Californie	8
Composants de la gamme	9
Conditions d'installation	9
Vérification du site d'installation	9
Guide d'installation	11
Pour éviter tout bris	11
Exigences électriques	12
Outils et matériel	13
Contenu de la boîte	13
Instructions d'installation	14
Installation de votre cuisinière	14

Avant de commencer

À propos de ce manuel

Lisez entièrement et attentivement ces instructions.

Remarque importante destinée à l'installateur

- Lisez toutes les instructions contenues dans ce manuel d'installation avant d'installer la cuisinière.
- Retirez tous les matériaux d'emballage des compartiments du four avant de raccorder l'alimentation électrique à la cuisinière.
- Respectez tous les codes et ordonnances en vigueur.
- Veillez bien à laisser ces instructions à l'utilisateur.
- L'installation de cet appareil requiert des compétences mécaniques de base.
- L'installateur est responsable de toute mauvaise installation.
- Toute défaillance du produit due à une installation incorrecte n'est pas couverte par la garantie.

Remarque importante destinée à l'utilisateur

Conservez ces instructions d'installation afin que la personne chargée de contrôler l'installation électrique locale puisse s'y reporter.

- Comme pour l'utilisation de tout appareil générant de la chaleur, vous devez respecter certaines précautions de sécurité.
- Assurez-vous que votre cuisinière est installée et mise à la terre correctement par un installateur ou un technicien qualifié.
- Pour une bonne ventilation de la cuisinière, assurez-vous que les orifices de ventilation ne sont pas bloqués ou recouverts et qu'il y a suffisamment d'espace libre en haut, à l'arrière, sur les côtés et sous la cuisinière. Les orifices de ventilation permettent l'échappement nécessaire au bon fonctionnement de l'appareil, à une combustion correcte et à l'obtention des résultats de cuisson escomptés.
- Assurez-vous que les revêtements muraux autour de la cuisinière peuvent résister à la chaleur générée par l'appareil.
- Pour éviter d'avoir à passer la main au-dessus des éléments de surface, n'installez pas un meuble de rangement au-dessus de la table de cuisson.
- La cuisinière ne doit pas être placée sur un socle.

Remarque importante à l'intention du réparateur

Les schémas électriques sont disponibles sur dacor.com.

Informations de sécurité importantes

Lisez toutes les instructions avant d'utiliser cet appareil

- Tout appareil électrique comportant des pièces mobiles peut être dangereux. Veuillez lire les consignes de sécurité importantes relatives à cet appareil dans ce manuel. Les instructions doivent être suivies pour réduire les risques de blessures, de décès ou de dommages matériels au minimum.
- Conservez ce manuel. Ne le jetez pas.

Symboles utilisés dans ce manuel

⚠ AVERTISSEMENT

Risques ou manipulations dangereuses susceptibles d'entraîner des blessures graves, voire la mort.

⚠ MISE EN GARDE

Risques ou manipulations dangereuses susceptibles d'entraîner des blessures légères ou des dégâts.

📄 REMARQUE

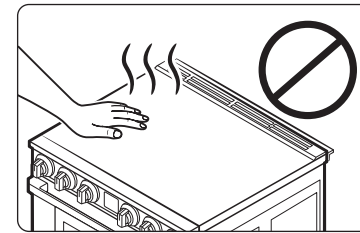
Conseils et instructions utiles.

Ces icônes et symboles d'avertissement sont là pour éviter de vous blesser ou de blesser d'autres personnes. Veuillez les suivre explicitement. Après avoir lu cette section, conservez-la dans un endroit sûr pour pouvoir la consulter ultérieurement.

Sécurité générale

⚠ AVERTISSEMENT

Pour réduire les risques d'incendie, d'électrocution, de blessures corporelles et/ou de décès, respectez les précautions suivantes.



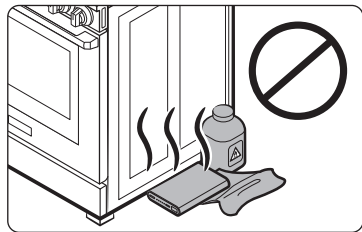
- **Ne touchez** aucune partie de la cuisinière, y compris, mais sans s'y limiter, les surfaces intérieures pendant ou immédiatement après la cuisson.
- **Assurez-vous que le dispositif anti-basculement** est correctement installé sur la cuisinière. Consultez les instructions d'installation pour obtenir des informations supplémentaires.
- **Ne laissez pas les enfants s'approcher** de la cuisinière, ni dedans ni dessus. Ne laissez pas les enfants jouer avec la cuisinière ou avec des parties de celle-ci. Ne laissez pas les enfants sans surveillance dans une zone où la cuisinière est en cours d'utilisation. Pour des raisons de sécurité, nous vous recommandons d'utiliser la fonction de verrouillage des commandes et des portes.
- **Retirez** tous les matériaux d'emballage de la cuisinière avant de la faire fonctionner afin d'éviter l'inflammation de ces matériaux. Gardez tous les matériaux d'emballage hors de portée des enfants. Mettez au rebut les matériaux d'emballage de manière appropriée après avoir déballé la cuisinière.
- **Ne rangez pas** d'objets susceptibles d'intéresser les enfants sur la table de cuisson ou sur le panneau arrière de la cuisinière. Les enfants qui grimpent sur la cuisinière pour atteindre des objets sont susceptibles de se retrouver tués ou gravement blessés.
- **Ne mettez pas** la cuisinière en marche si celle-ci ou une partie de celle-ci est endommagée, si elle fonctionne mal ou s'il manque des pièces.
- **N'utilisez pas** la cuisinière comme chauffage d'appoint. Cette cuisinière ne doit être utilisée que pour la cuisson.
- **N'utilisez pas** de nettoyant pour four ou de doublures de four à l'intérieur ou autour d'une partie du four.
- **Utilisez** uniquement des maniques sèches.
- **N'utilisez pas** la cuisinière pour chauffer des récipients alimentaires non ouverts.
- **Ne frappez pas** la vitre du four.

- Lorsque vous mettez la cuisinière au rebut, **coupez** le cordon d'alimentation et **retirez** la porte.
- **Débranchez** ou **coupez** l'alimentation électrique avant de procéder à l'entretien.
- **Veillez** à ce que la viande et la volaille soient bien cuites. La viande doit toujours être cuite à une température interne de 71 °C (160 °F). La volaille doit toujours être cuite à une température interne de 82 °C (180 °F).

Sécurité incendie

⚠ AVERTISSEMENT

Pour réduire les risques d'incendie, d'électrocution, de blessures corporelles et/ou de décès, respectez les précautions suivantes.

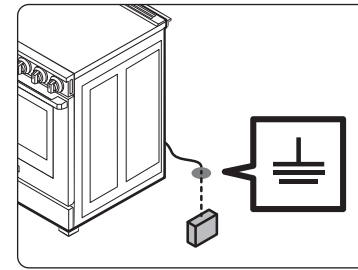


- **Ne rangez pas, ne placez pas et n'utilisez pas** de matériaux inflammables ou combustibles tels que du charbon de bois, du papier, du plastique, des maniques, du linge de maison, des rideaux, de l'essence ou d'autres vapeurs ou liquides inflammables à proximité ou à l'intérieur de la cuisinière.
- **Ne portez pas** de vêtements amples ou flottants pendant l'utilisation de la cuisinière.
- Pour éviter l'accumulation de graisse, **nettoyez régulièrement** les fentes d'aération.
- **Ne laissez pas** les maniques ou autres matériaux inflammables toucher un élément chauffant. N'utilisez pas de serviette ou tout autre tissu épais comme manique.
- **N'utilisez pas** d'eau sur un feu de graisse. Pour éteindre un feu de graisse, éteignez la source de chaleur et étouffez le feu avec un couvercle hermétique ou utilisez un extincteur polyvalent, chimique sec ou un extincteur à mousse.
- En cas de feu de graisse dans le four, **éteignez le four** en tournant le bouton de sélection du mode sur la position **Désactivé**. Maintenez la porte du four fermée jusqu'à ce que le feu s'éteigne. Le cas échéant, **utilisez** un extincteur polyvalent, chimique sec ou un extincteur à mousse.
- **Ne chauffez pas** de récipients alimentaires non ouverts — l'accumulation de pression peut faire éclater le récipient et entraîner des blessures.

Sécurité électrique et mise à la terre

⚠ AVERTISSEMENT

Pour réduire les risques d'incendie, d'électrocution, de blessures corporelles et/ou de décès, respectez les précautions suivantes.



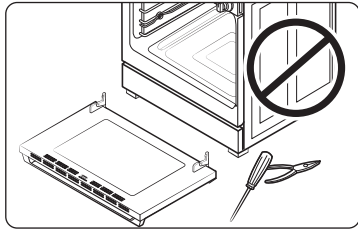
- Branchez sur une prise à trois broches mise à la terre.
- **Ne retirez pas** la broche de terre.
- **N'utilisez pas** d'adaptateur ni de rallonge.
- **N'utilisez pas** une prise ou un cordon d'alimentation endommagés, ni une prise murale mal fixée.
- **Ne modifiez pas** la fiche, le cordon ou la prise d'alimentation de quelque façon que ce soit.
- **Ne placez pas** de fusible dans un circuit neutre ou de mise à la terre.
- Utilisez un circuit électrique dédié de 240 volts, 60 Hz, 40 ampères, CA, avec fusible pour cette cuisinière. Un fusible à retardement ou un disjoncteur est recommandé. Ne branchez pas plus d'un appareil sur ce circuit.
- Cette cuisinière **doit être mise à la terre**. En cas de dysfonctionnement ou de panne, la mise à la terre réduira le risque de choc électrique en prévoyant un chemin pour le courant électrique. Cette cuisinière est équipée d'un cordon avec une fiche de mise à la terre. La fiche doit être fermement branchée dans une prise de courant correctement installée et mise à la terre, conformément aux codes et règlements locaux. Si vous n'êtes pas sûr que votre prise électrique est correctement mise à la terre, faites-la vérifier par un électricien agréé.
- L'alimentation électrique de la cuisinière doit être conforme aux codes locaux. En l'absence de codes locaux, il doit être conforme à la norme ANSI/NFPA n° 70 – dernière révision (pour les É.-U.) ou au Code canadien de l'électricité CSA C22.1 – dernières révisions.
- Il est de la responsabilité personnelle du propriétaire de la cuisinière de fournir le service électrique correct pour cette cuisinière.

Informations de sécurité importantes

Sécurité de l'installation

⚠ AVERTISSEMENT

Pour réduire les risques d'incendie, d'électrocution, de blessures corporelles et/ou de décès, respectez les précautions suivantes.



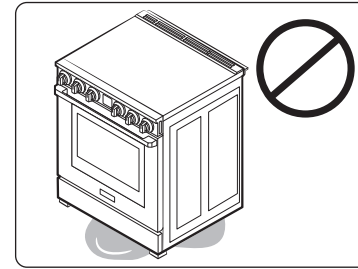
- Faites installer et correctement mettre à la terre votre cuisinière par un **installateur qualifié**, conformément aux instructions d'installation.

- N'essayez pas** d'entretenir, de modifier ou de remplacer votre cuisinière ou toute partie de celle-ci, sauf si cela est spécifiquement recommandé dans ce manuel. Tout autre entretien doit être confié à un technicien qualifié.
- Assurez-vous que** le dispositif anti-basculement est correctement installé sur la cuisinière. Consultez les instructions d'installation pour obtenir des informations supplémentaires.
- En raison de la taille et du poids de la cuisinière, assurez-vous que **deux personnes ou plus** la déplacent.
- Retirez** tout le ruban adhésif et les matériaux d'emballage.
- Retirez** tous les accessoires de la table de cuisson et du four. Soyez prudent lorsque vous les manipulez.
- Assurez-vous** qu'aucune pièce ne s'est détachée pendant le transport.

Sécurité en matière d'emplacement

⚠ AVERTISSEMENT

Pour réduire les risques d'incendie, d'électrocution, de blessures corporelles et/ou de décès, respectez les précautions suivantes.

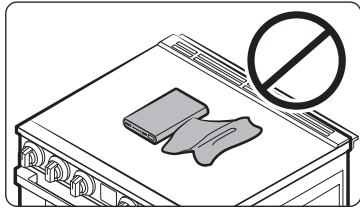


- Cette cuisinière est réservée à un usage intérieur et domestique. **N'installez pas** la cuisinière dans des endroits exposés aux intempéries et/ou à l'eau.
- N'installez pas** la cuisinière dans un endroit exposé à un fort courant d'air.
- Choisissez un sol à niveau, bien construit et capable de supporter le poids de la cuisinière. Les revêtements de sol synthétiques, comme le linoléum, doivent résister à des températures de 82 °C (180 °F) sans rétrécir, se déformer ni se décolorer. **N'installez pas** la cuisinière directement sur la moquette intérieure de la cuisine, sauf si une feuille de contreplaqué de ¼ de pouce ou un isolant similaire est placé entre la cuisinière et la moquette.
- Choisissez un emplacement où une prise de courant à 3 broches avec mise à la terre est facilement accessible.
- Si la cuisinière est située près d'une fenêtre, **ne suspendez pas** de longs rideaux ou des stores en papier sur cette fenêtre.
- Pour une bonne ventilation de la cuisinière, assurez-vous que les orifices de ventilation ne sont pas bloqués ou recouverts et qu'il y a suffisamment d'espace libre en haut, à l'arrière, sur les côtés et sous la cuisinière. Les orifices de ventilation permettent l'échappement nécessaire au bon fonctionnement de l'appareil, à une combustion correcte et à l'obtention des résultats de cuisson escomptés.
- Assurez-vous** que les revêtements muraux autour de la cuisinière peuvent résister à la chaleur jusqu'à 194 °F (90 °C) générée par la cuisinière.
- Il faut éviter de ranger les armoires au-dessus de la surface de la cuisinière. S'il est nécessaire de disposer des armoires au-dessus de la cuisinière : prévoyez un espace minimum de 76,2 cm (30 po) entre la surface de cuisson et le bas des armoires ou installez une hotte qui dépasse horizontalement d'au moins 12,7 cm (5 po) le bas des armoires. Pour des informations détaillées, veuillez vous reporter à la **Minimum dimensions** section de la page 10.

Sécurité de la table de cuisson

⚠ AVERTISSEMENT

Pour réduire les risques d'incendie, d'électrocution, de blessures corporelles et/ou de décès, respectez les précautions suivantes.



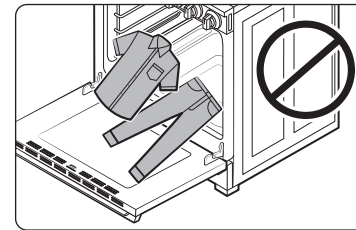
- **Assurez-vous** que tous les éléments sont éteints lorsqu'ils ne sont pas utilisés.
- **N'utilisez pas** de papier d'aluminium pour recouvrir toute autre partie de la table de cuisson.
- **Ne laissez pas** les éléments sans surveillance à température moyenne ou élevée.

- **Ne placez pas** d'autres objets que des ustensiles de cuisson sur la table de cuisson.
- Avant de retirer ou de changer d'ustensile de cuisson, éteignez les éléments.
- Retirez les aliments et les ustensiles de cuisine immédiatement après la cuisson.
- Pour éviter tout empoisonnement au monoxyde de carbone, **ne versez pas** d'eau dans le puits de la table de cuisson pendant le nettoyage.
- Tenez-vous éloigné de la cuisinière pendant la friture.
- Faites toujours chauffer les huiles de friture lentement et surveillez-les pendant qu'elles chauffent. Si vous faites frire des aliments à feu vif, surveillez attentivement le processus de cuisson. Si une combinaison de graisses ou d'huiles doit être utilisée pendant la friture, mélangez-les avant de les mettre sur le feu.
- Utilisez un thermomètre de friteuse chaque fois que c'est possible. Cela évite de surchauffer la friteuse au-delà du point de fumage.
- Utilisez une quantité minimale d'huile pour la cuisson à la poêle ou la friture. Évitez de cuire des aliments non décongelés ou des aliments contenant une quantité excessive de glace.
- Avant de déplacer des ustensiles de cuisine remplis de graisses ou d'huiles, assurez-vous qu'ils ont complètement refroidi.
- Pour éviter tout risque de débordement après ébullition, laissez toujours les liquides chauds reposer au moins 20 secondes après avoir éteint l'élément afin que leur température se stabilise. En cas de brûlure, suivez ces instructions de premiers secours :
 - Plongez la zone échaudée dans de l'eau fraîche ou tiède pendant au moins 10 minutes.
 - N'appliquez pas de crèmes, d'huiles ou de lotions.
 - Couvrez avec un tissu propre et sec.

Sécurité du four

⚠ AVERTISSEMENT

Pour réduire les risques d'incendie, d'électrocution, de blessures corporelles et/ou de décès, respectez les précautions suivantes.



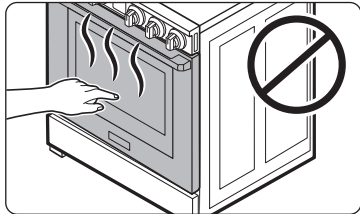
- **N'utilisez pas** le four à des fins autres que la cuisson, par exemple le séchage du linge ou le rangement. Utilisez le four uniquement pour la cuisson.
- **Assurez-vous que** la partie intérieure de la grille de four divisée est bien positionnée dans la grille extérieure.
- **Assurez-vous** que les grilles du four sont placées au même niveau de chaque côté.
- **N'endommagez pas, ne déplacez pas et ne nettoyez pas** le joint de la porte.
- **Ne pas pulvériser** d'eau sur la vitre du four lorsque celui-ci est allumé ou juste après l'avoir éteint.
- **N'utilisez pas** de papier aluminium ou de barquettes en aluminium dans le four. N'utilisez pas de papier d'aluminium ou de matériau similaire pour couvrir les trous ou les passages au fond du four ou pour couvrir une grille du four.
- Tenez-vous à l'écart du four lorsque vous ouvrez la porte du four.
- Assurez-vous que le four ne présente aucune accumulation de graisse.
- Avant de repositionner les grilles du four, **assurez-vous que** le four est complètement froid.
- Pour éviter d'endommager les boutons de commande des éléments, faites toujours cuire et/ou griller les aliments avec la porte du four fermée.
- Lorsque vous utilisez des sacs de cuisson ou de rôtissage dans le four, suivez les instructions du fabricant.
- Assurez-vous que les conduits de ventilation du four qui se trouvent sous le boîtier de commande ne sont pas obstrués. Cette zone peut devenir chaude durant l'utilisation du four. Ne jamais obstruer cette ventilation, ni y placer de plastique ou d'éléments sensibles à la chaleur.

Informations de sécurité importantes

Sécurité du four autonettoyant

⚠ AVERTISSEMENT

Pour réduire les risques d'incendie, d'électrocution, de blessures corporelles et/ou de décès, respectez les précautions suivantes.



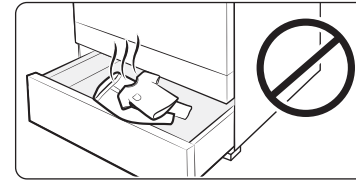
- La fonction d'autonettoyage fait fonctionner le four à des températures suffisamment élevées pour brûler les salissures alimentaires dans le four. La cuisinière est extrêmement chaude pendant un cycle d'autonettoyage. **Ne touchez** aucune surface de la cuisinière pendant un cycle d'autonettoyage.

- Tenez les enfants éloignés du four pendant un cycle d'autonettoyage.
- Avant de lancer un cycle d'autonettoyage, **retirez** du four toutes les grilles, ustensiles de cuisson et ustensiles. Seules les grilles du four à revêtement en porcelaine peuvent être laissées dans le four.
- Avant de lancer un cycle d'auto-nettoyage, essuyez la graisse et les salissures alimentaires du four.
- **Ne placez pas** le tiroir inférieur dans la cavité du four lorsque vous lancez un cycle d'autonettoyage.
- Lorsque vous ouvrez la porte après un cycle d'autonettoyage, tenez-vous à l'écart du four.
- En cas de dysfonctionnement du cycle d'autonettoyage, éteignez le four, débranchez l'alimentation électrique et communiquez avec un technicien qualifié.

Sécurité du tiroir de rangement

⚠ AVERTISSEMENT

Pour réduire les risques d'incendie, d'électrocution, de blessures corporelles et/ou de décès, respectez les précautions suivantes.



- **N'utilisez pas** le tiroir à des fins autres que la cuisson, par exemple le séchage du linge ou le rangement. Utilisez le tiroir uniquement pour la cuisson.

- **Ne touchez pas** la surface intérieure du tiroir ni l'élément chauffant.
- Pour éviter les brûlures dues à la vapeur, faites attention en ouvrant le tiroir.
- **N'utilisez pas** de papier d'aluminium pour tapisser le tiroir.
- **N'utilisez pas** le tiroir dans le four. **Ne mettez pas** le tiroir dans le four pendant un cycle d'autonettoyage.
- **Ne laissez pas** de récipients contenant des graisses dans le tiroir ou à proximité.

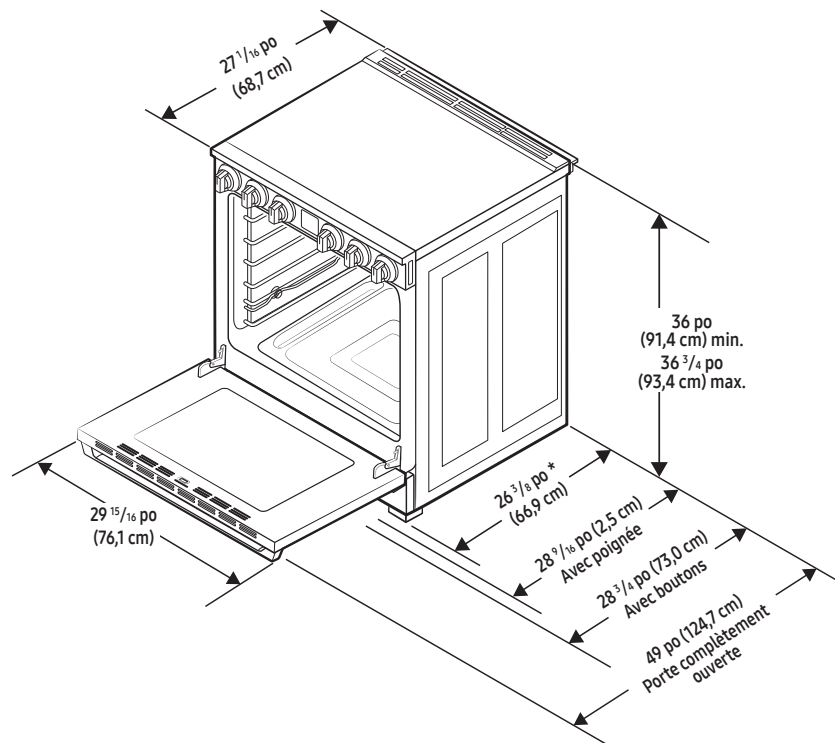
Avertissement relatif à la proposition 65 de l'État de Californie

⚠ AVERTISSEMENT

Cancer et troubles de la fertilité - www.P65Warnings.ca.gov.

Composants de la gamme

MODÈLE DOP30**40I*



* Soit $26\frac{7}{16}$ " (67,1 cm) si le lot de fileur arrière en option est utilisé.

Conditions d'installation

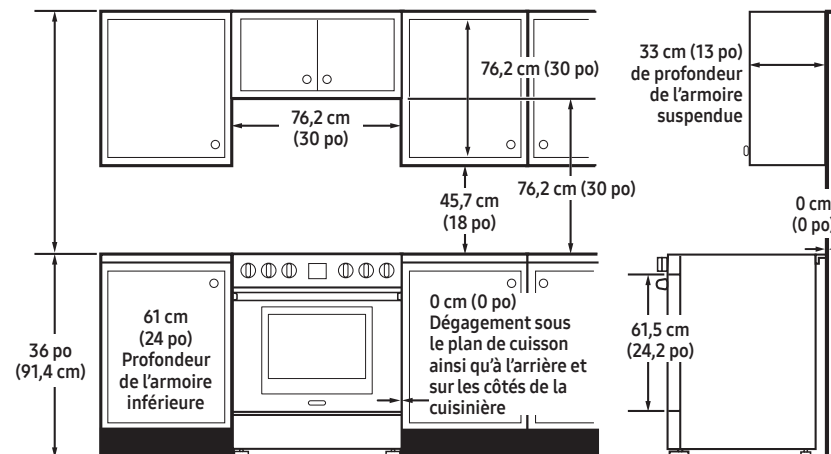
Vérification du site d'installation

Dégagements et dimensions

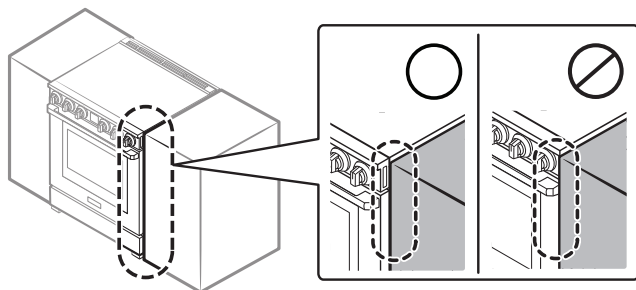
Pour installer la cuisinière, reportez-vous à la figure suivante.

⚠ MISE EN GARDE

Cette cuisinière a été conçue pour être conforme à la température maximale autorisée pour les éléments de rangement en bois, soit 90 °C (194 °F). Assurez-vous que le revêtement mural, les comptoirs et les armoires autour de la cuisinière peuvent résister à la température maximale générée par la cuisinière qui est de 90 °C (194 °F). Si ce n'est pas le cas, une décoloration, une délamination ou une fonte peuvent survenir.



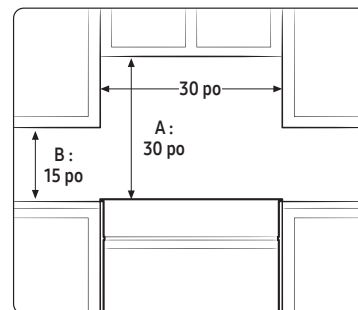
Conditions d'installation



MISE EN GARDE

N'installez PAS le four en laissant la porte affleurer l'armoire.

Dimensions minimales



IMPORTANT : Pour éliminer les risques de brûlures ou d'incendie causés par le passage de la main sur les éléments chauffés, évitez de disposer d'un espace de rangement au-dessus des éléments. Si vous disposez d'un espace de rangement au-dessus des éléments chauffants, vous pouvez réduire le risque en installant une hotte qui dépasse horizontalement d'au moins 5 pouces le bas des armoires.

- A. Un dégagement minimum de 30 po est requis entre le haut de la surface de cuisson et le bas d'une armoire en bois ou en métal non protégée; un dégagement minimum de 24 po est requis si le bas de l'armoire en bois ou en métal est protégé par un panneau de particules ignifugé d'au moins 1/4 po recouvert d'une tôle d'acier d'au moins 0,28 MSG, d'une plaque en feuille d'acier d'au moins 0,015 po, d'aluminium d'au moins 0,024 po ou de cuivre d'au moins 0,020 po.
- B. Un dégagement minimum de 15 po est requis entre le comptoir et le fond de l'armoire adjacente.

MISE EN GARDE

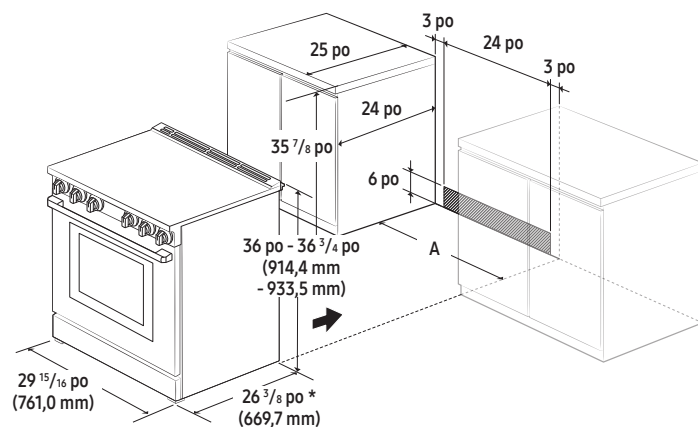
Des vapeurs peuvent s'échapper de la bouche d'aération. Ce phénomène est normal, toutefois il convient de faire preuve de prudence car la vapeur peut être chaude. Selon le matériau du mur, les vapeurs chaudes peuvent y laisser des taches.

Guide d'installation

IMPORTANT :

Pour éliminer les risques de brûlures ou d'incendie causés par le passage de la main sur les éléments chauffés, évitez de disposer d'un espace de rangement au-dessus des éléments. Si vous disposez d'un espace de rangement au-dessus des éléments chauffants, vous pouvez réduire le risque en installant une hotte qui dépasse horizontalement d'au moins 5 pouces le bas des armoires.

Guide d'installation



* Soit 26 7/16" (671,7 mm) si le lot de fileur arrière en option est utilisé.

A : Ouverture de l'armoire 76,2 cm (30 po)

IMPORTANT : Si la hauteur du meuble dépasse 37", cette cuisinière ne peut pas être installée sans pièce de support telle que des blocs durs.

⚠ MISE EN GARDE

Vous devez utiliser le lot de fileur arrière pour installer la cuisinière dans une armoire autoportante à découpe. Pour plus d'informations, voir **lot de fileur arrière en option** comme indiqué ci-dessous.

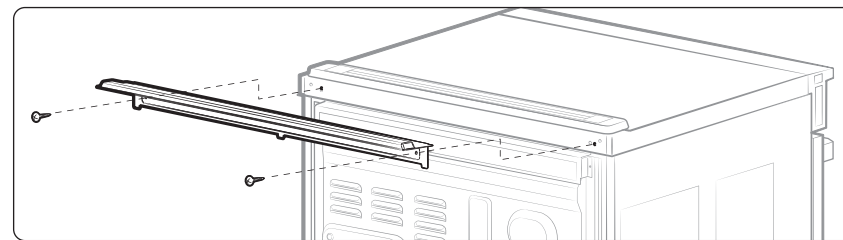
Lot de fileur arrière en option

⚠ AVERTISSEMENT

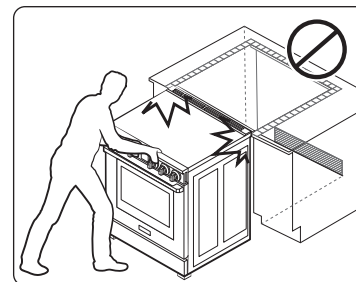
Utilisé pour combler l'espace entre l'arrière de la cuisinière et le mur. Ajoute une bande de fileur à l'arrière de la cuisinière. Ce lot ne peut être utilisé que lorsque l'ouverture dans le comptoir dispose d'une profondeur de 25 po.

📖 REMARQUE

Si la profondeur du comptoir est supérieure à 25 po, il existera un espace entre le lot fileur et le mur arrière.

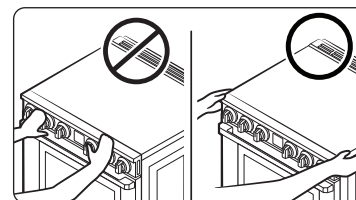


Pour éviter tout bris



⚠ MISE EN GARDE

- Veuillez **NE PAS** exercer une forte pression sur l'unité lors de l'installation. Ces actions peuvent causer des dommages à l'unité.

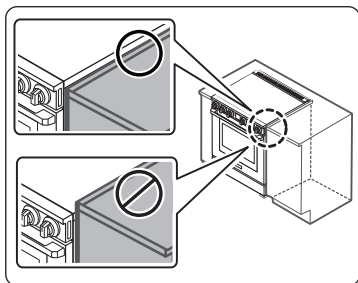
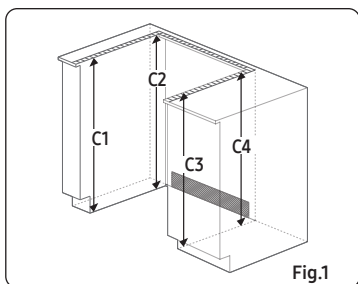
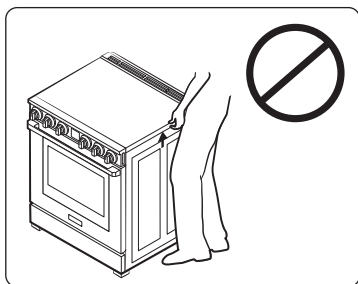


- Tenez la partie supérieure gauche/droite de la porte (pas la poignée) avec les deux mains et poussez l'unité. Ne saisissez pas la poignée de la porte et n'appuyez pas sur les boutons des éléments.

Conditions d'installation

⚠ MISE EN GARDE

Ne soulevez ni ne manipulez l'unité par le cadre de la table de cuisson.



1. Le comptoir autour de la découpe doit être plat et à niveau (voir la zone hachurée de la figure 1).
2. Avant d'installer l'unité, mesurez les hauteurs des deux côtés de l'armoire (C1 ~ C4), à l'avant et à l'arrière (voir figure 1), du sol au haut du comptoir.
3. Mettez la cuisinière à niveau à l'aide des quatre pieds de mise à niveau de sorte que la hauteur entre le sol et le dessous du cadre de la table de cuisson soit supérieure d'au moins $\frac{1}{16}$ po à la mesure la plus haute de l'armoire.
4. Faites glisser l'unité dans l'armoire (**NE PAS EXERCER DE FORTE PRESSIION SUR L'UNITÉ**). Assurez-vous que le centre de l'unité est aligné avec le centre de la découpe de l'armoire.
5. Le rebord métallique situé sous chaque côté de la table de cuisson **DOIT** être placé au-dessus du comptoir de l'armoire pour assurer un soutien adéquat de l'unité. La table de cuisson ne doit **PAS** reposer directement sur le comptoir, sinon elle pourrait être endommagée, ce qui annulerait la garantie. Mettez l'unité à niveau le cas échéant.

Exigences électriques

⚠ AVERTISSEMENT

Pour réduire les risques d'incendie, de décharge électrique ou de blessures :

Toutes les cuisinières

- N'utilisez pas de rallonge ou de fiche d'adaptation pour cette cuisinière.
- Cette cuisinière doit être correctement mise à la terre.
- En cas de doute, consultez un électricien qualifié pour savoir si votre cuisinière est correctement mise à la terre.
- Tout le câblage et la mise à la terre doivent être effectués conformément aux codes locaux ou, à défaut, au Code national de l'électricité, ANSI/NFPA No 70 — Dernière révision (pour les États-Unis) ou au Code canadien de l'électricité CSA C22.1 — Dernières révisions et aux codes et règlements locaux.
- Le schéma de câblage est situé à l'arrière de la cuisinière. (à l'intérieur de la protection arrière du câblage)
- Cette cuisinière est équipée d'un système d'allumage électronique qui ne fonctionnera pas si elle est branchée dans une prise qui n'est pas correctement polarisée.
- Un service électrique approuvé de 240 V, 60 Hz, CA, avec un disjoncteur de 40 A ou un fusible à retardement est nécessaire pour tous les modèles américains et canadiens.
- Vérifiez la présence d'une décharge de traction de 1,9 cm ($\frac{3}{4}$ po) homologuée UL à l'endroit où le cordon d'alimentation sort de l'armoire de la cuisinière.
- Ne réutilisez pas un cordon d'alimentation électrique provenant d'une ancienne cuisinière ou d'un autre appareil.
- Le câblage d'alimentation électrique du cordon d'alimentation doit être retenu au niveau de l'armoire de la cuisinière à l'aide d'un dispositif de décharge de traction approprié homologué UL.
- Un fusible à retardement ou un disjoncteur est également recommandé.

Outils et matériel

Mise à la terre

- Toutes les cuisinières doivent être mises à la terre pour votre sécurité.
- La fiche doit être fermement branchée dans une prise à 3 ou 4 broches correctement installée et mise à la terre, conformément à l'ensemble des codes et des règlements locaux. En cas de dysfonctionnement ou de panne, la mise à la terre diminuera le risque de choc électrique en prévoyant un chemin pour le courant électrique.
- Ne pas utiliser de fiche d'alimentation endommagée ou une prise murale mal fixée.
- N'utilisez pas de rallonge ou d'adaptateur pour cet appareil.
- Ne coupez pas, ne modifiez pas, n'enlevez pas ou ne défaites pas la mise à la terre si elle en est équipée. Si la fiche et la prise ne correspondent pas ou si vous avez un doute, demandez à un électricien qualifié d'installer la prise appropriée.
Le client doit faire vérifier la prise murale et le circuit par un électricien qualifié afin de s'assurer que la prise est correctement mise à la terre.
Les disjoncteurs de fuite à la terre (GFCI) ne sont ni nécessaires ni recommandés pour les prises de la cuisinière.
- **NE JAMAIS** brancher le fil de terre sur des conduites de plomberie en plastique, des conduites de gaz ou des conduites d'eau.

MISE EN GARDE

Le non-respect de ces instructions peut entraîner la mort, un incendie ou un choc électrique.

Situations d'utilisation dans le cadre desquelles le cordon d'alimentation de l'appareil doit être débranché fréquemment

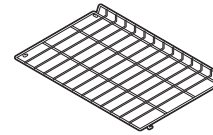
N'utilisez pas d'adaptateur dans ces situations, car le fait de débrancher le cordon d'alimentation exerce une pression sur l'adaptateur et entraîne une défaillance éventuelle de la borne de masse de l'adaptateur. Les fiches de 240 V ont 3 ou 4 broches et ne sont pas fournies avec l'unité.

Conditions d'installation supplémentaires pour les maisons mobiles

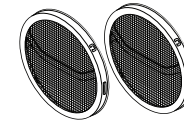
L'installation d'appareils conçus pour les maisons mobiles doit être conforme à la norme sur la construction et la sécurité des maisons mobiles (Manufactured Home Construction and Safety Standard), article 24 CFR (Code of Federal Regulations), partie 3280 (anciennement la norme fédérale sur la construction et la sécurité des maisons mobiles, article 24, HUD (Département du Logement et du Développement urbain), partie 280) ou, lorsque cette norme n'est pas applicable, à la norme sur les installations de maisons mobiles (Manufactured-Home Installations), dernière édition (sites, communautés et installations de maisons mobiles), ANSI A225.1, dernière édition, ou aux codes locaux. Au Canada, l'installation des maisons mobiles doit être conforme au Code d'installation des maisons mobiles CAN/CSA Z240/MH en vigueur.

Contenu de la boîte

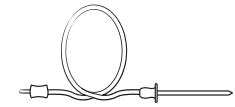
Pièces fournies



Grille plate (1)



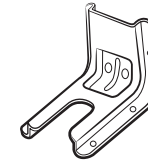
Filtres à convection (2)



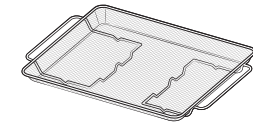
Sonde de température (1)



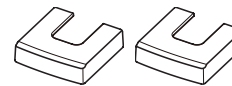
Grille de glissement (2)



Support anti-basculement (1)



Plateau Air Fry (1)



Couvre-pieds (2)



Lot de fileur (1) et vis (2)

REMARQUE

- Assurez-vous que vous avez reçu toutes les pièces fournies indiquées ci-dessus.
- Si votre cuisinière a été endommagée lors de l'expédition ou si vous n'avez pas toutes les pièces fournies, communiquez avec votre revendeur local.

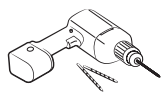
Outils et matériel

Pièces nécessaires



Cordon à 4 fils ou à 3 fils

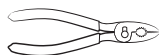
Outils nécessaires



Perceuse



Clé réglable



Pince



Tourne-écrou 1/4 po



Tournevis cruciforme



Tournevis plat



Crayon



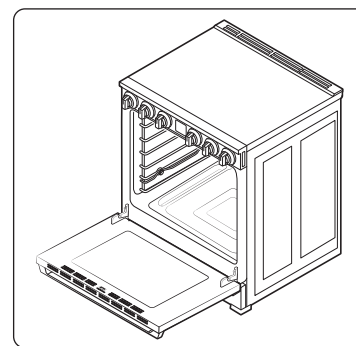
Niveau

Instructions d'installation

Installation de votre cuisinière

REMARQUE

- **IMPORTANT** : Veuillez lire complètement et attentivement les instructions suivantes, ainsi que la section Consignes de sécurité importantes au début de ce manuel, AVANT d'installer et/ou d'utiliser la cuisinière à induction. Une mauvaise installation, un mauvais réglage, un entretien ou une réparation inadéquats peuvent provoquer des blessures ou des dégâts matériels.



- Pour commander des pièces ou des accessoires, communiquez avec votre revendeur local ou reportez-vous à la dernière page.
- Pour garantir une installation correcte, nous vous recommandons vivement de faire appel à un installateur professionnel.

Étape 1 : Déballez la cuisinière

Retirez tous les matériaux d'emballage. Si vous ne retirez pas les matériaux d'emballage, vous risquez d'endommager l'appareil.

Faites l'inventaire de toutes les '**Parts supplied**' en vous référant à la liste de la page 13.

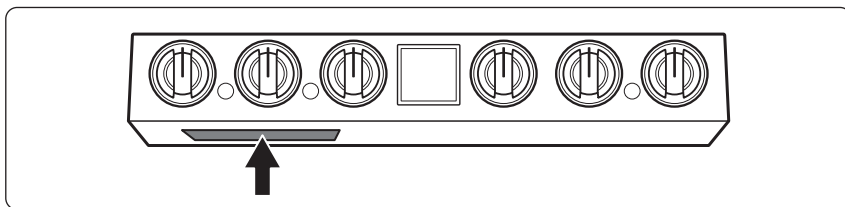
Vérifiez si l'appareil n'a pas été endommagé lors du transport et/ou s'il manque des pièces. Tout dommage et/ou pièce manquante doit être signalé à votre revendeur local.

Étape 2 : Satisfaire aux exigences de branchement électrique

⚠ MISE EN GARDE

Pour votre sécurité, n'utilisez pas de rallonge pour cet appareil. Retirez le fusible de la maison ou ouvrez le disjoncteur avant de commencer l'installation.

Cet appareil doit être alimenté avec la tension et la fréquence appropriées, et raccordé à un circuit de dérivation individuel correctement mis à la terre, protégé par un disjoncteur ou un fusible dont l'intensité de courant est indiquée sur la plaque signalétique. La plaque signalétique est située au bas du tableau de commande.



Nous vous recommandons de faire raccorder le câblage électrique et le branchement de votre cuisinière par un électricien qualifié. Après l'installation, demandez à l'électricien de vous montrer où se trouve le sectionneur principal de la cuisinière.

Vérifiez auprès des services publics locaux les codes électriques en vigueur dans votre région.

Si vous ne câblez pas votre four conformément aux codes en vigueur, vous risquez de créer une situation dangereuse.

S'il n'existe aucun code local, votre cuisinière doit être câblée et munie de fusibles conformément aux exigences du Code national de l'électricité, ANSI/NFPA n° 70 – dernière édition.

Vous pouvez en obtenir une copie en écrivant à :

National Fire Protection Association
Batterymarch Park
Quincy, MA 02269

Depuis le 1^{er} janvier 1996, le Code national de l'électricité exige que les nouvelles constructions (non existantes) utilisent un branchement à 4 conducteurs pour une cuisinière électrique.

Lorsque vous installez une cuisinière électrique dans une nouvelle construction, suivez les étapes 2 et 3 pour un branchement à 4 fils.

Vous devez utiliser un courant alternatif monophasé à 3 ou 4 fils. Système électrique de 208Y/120 V ou 240/120 V, 60 Hz.

Si le service électrique fourni ne répond pas aux spécifications ci-dessus, demandez à un électricien agréé d'installer une prise homologuée.

Utilisez uniquement un cordon de cuisinière à 3 ou 4 conducteurs homologué UL. Ces cordons peuvent être équipés de bornes à anneau sur le fil et d'un dispositif de décharge de traction. Un cordon de cuisinière de 40 A avec une plage de tension minimale de 125/250 V est nécessaire. Un cordon de cuisinière de 50 A n'est pas recommandé, mais s'il est utilisé, il doit être marqué pour être utilisé avec des ouvertures de branchement d'un diamètre nominal de 1 $\frac{3}{8}$ po. Il faut veiller à centrer le câble et la décharge de traction dans le trou défonçable pour éviter que le bord n'endommage le câble.

Étant donné que les bornes de la cuisinière ne sont pas accessibles une fois la cuisinière en place, il faut utiliser un conduit ou un cordon d'alimentation flexible.

REMARQUE

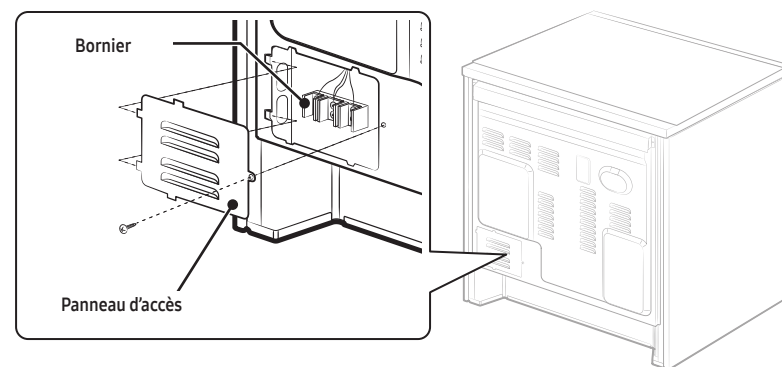
Si vous utilisez un conduit, passez à l'étape 5 des pages 17 – 18.



TOUTES LES NOUVELLES CONSTRUCTIONS DE CIRCUITS DE DÉRIVATION, LES MAISONS MOBILES, LES VÉHICULES DE LOISIRS ET LES INSTALLATIONS POUR LESQUELLES LES CODES LOCAUX N'AUTORISENT PAS LA MISE À LA TERRE PAR LE NEUTRE, NÉCESSITENT UN CORDON DE CUISINIÈRE À 4 CONDUCTEURS HOMOLOGUÉ UL.

Étape 3 : Accès au raccord du cordon d'alimentation

Retirez le panneau d'accès situé à l'arrière et desserrez la vis à l'aide d'un tournevis. Le bornier sera alors accessible.



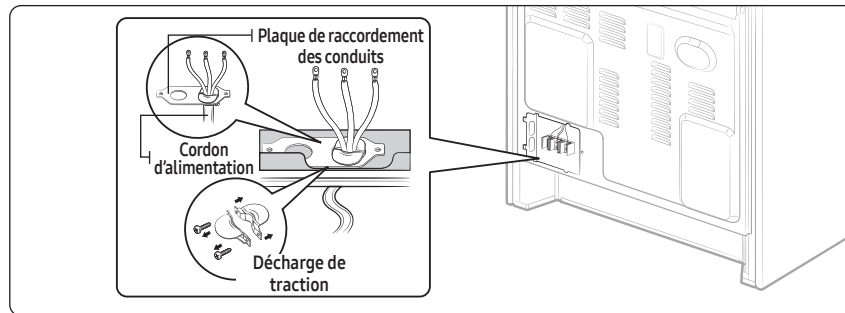
Instructions d'installation

Puissance nominale indiquée du kit de cordon d'alimentation

Puissance nominale de la cuisinière, en watts		Puissance nominale indiquée du kit de cordon d'alimentation, en ampères	Diamètre (pouces) de l'ouverture de branchement de la cuisinière	
120/240 volts 3 fils	120/208 volts 3 fils		Cordon d'alimentation	Conduit
8 750 à 16 500	7 801 à 12 500	40 ou 50 A	1 3/8 po	1 1/8 po

Étape 4 : Installation du cordon d'alimentation

Pour l'installation du cordon d'alimentation, accrochez la décharge de traction sur le trou du cordon d'alimentation (1 3/8 po) situé sous l'arrière du corps du tiroir. Insérez le cordon d'alimentation à travers la décharge de traction et serrez le dispositif.



- Vous devez installer le cordon d'alimentation avec une décharge de traction.
- Fixez la décharge de traction à l'ouverture de 1 3/8 po dans la plaque de raccordement de conduit.

⚠ MISE EN GARDE

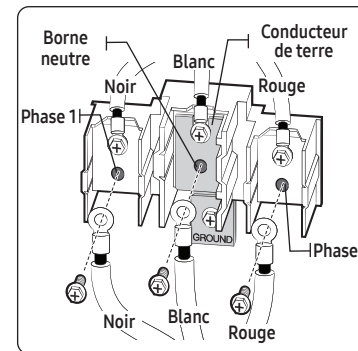
Vous devez vérifier la tension après avoir branché le cordon d'alimentation.

Phase 1 - Neutre	120 V
Phase 2 - Neutre	120 V
Phase 1 - Phase 2	208 V / 240 V

Installation d'un cordon d'alimentation à 3 fils

⚠ AVERTISSEMENT

Le fil neutre ou de terre du cordon d'alimentation doit être branché à la borne neutre située au centre du bornier. Les fils d'alimentation doivent être branchés aux bornes inférieure gauche et inférieure droite du bornier.

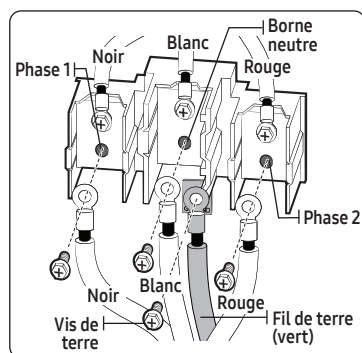
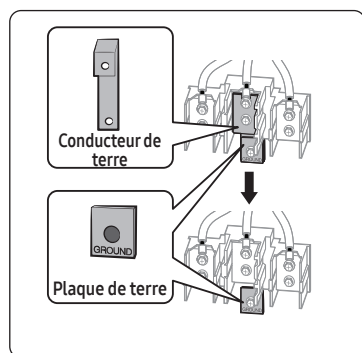


1. Retirez les 3 vis de la borne inférieure du bornier.
2. Insérez les trois 3 vis de borne à travers chaque anneau de borne du cordon d'alimentation et dans les bornes inférieures du bornier. Assurez-vous que le fil central (blanc/neutre) est connecté à la position centrale inférieure du bornier.
3. Serrez fermement les vis dans le bornier. **NE retirez PAS le raccord du conducteur de terre.**
4. Passez à l'étape 6 de la page 19 et poursuivez l'installation.

Installation d'un cordon d'alimentation à 4 fils

⚠ AVERTISSEMENT

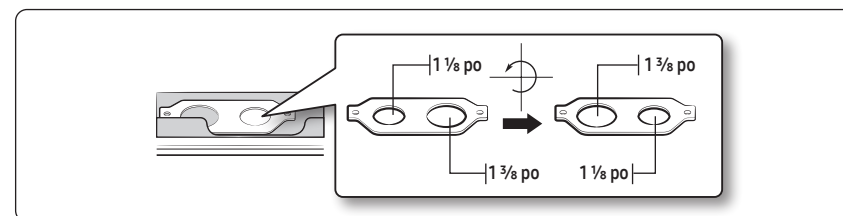
Le fil neutre du circuit d'alimentation doit être branché à la borne neutre située dans le centre inférieur du bornier. Les fils d'alimentation doivent être branchés aux bornes inférieure gauche et inférieure droite du bornier. Le quatrième fil de mise à la terre doit être branché au cadre de la cuisinière à l'aide de la plaque de terre et de la vis de terre.



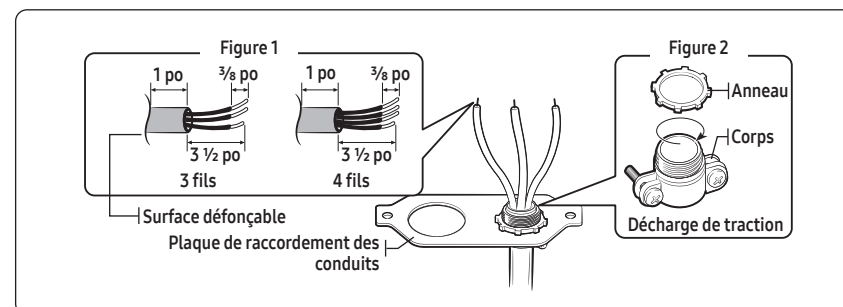
1. Retirez les 3 vis de la borne inférieure du bornier. Retirez la vis de terre et la plaque de mise à la terre et conservez-les.
2. **Coupez et jetez le conducteur de terre. Ne jetez aucune vis.**
3. Insérez la vis de terre dans l'anneau de la borne du fil de terre du cordon d'alimentation, à travers la plaque de terre et dans le cadre de la cuisinière.
4. Insérez les 3 vis de borne (retirées précédemment) dans chaque anneau de borne du cordon d'alimentation et dans les bornes inférieures du bornier. Assurez-vous que le fil central (blanc/neutre) est connecté à la position centrale inférieure du bornier. Serrez fermement les vis dans le bornier.
5. Passez à l'**étape 6** de la page 19 et poursuivez l'installation.

Étape 5 : Installation du conduit

Retirez la plaque de raccordement de conduit à l'arrière du corps du tiroir et faites-la pivoter comme indiqué ci-dessous. Le trou de conduit (1 1/8 po) doit être utilisé.



1. Préparez le cordon de conduit illustré à la figure 1.
2. Installez le cordon de conduit comme illustré à la figure 2.



Pour ce qui est des installations de conduit, insérez la décharge de traction (non fournie) dans le trou de conduit (1 1/8 po). Enfilez ensuite le cordon de conduit dans le corps de la décharge de traction et fixez l'anneau. Réinstallez le support.

⚠ MISE EN GARDE

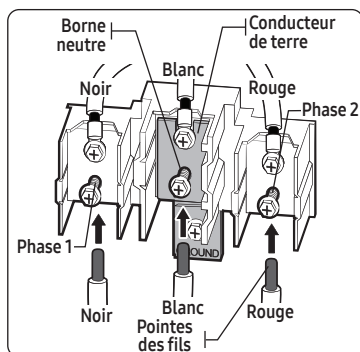
Vous devez vérifier la tension après avoir branché le cordon d'alimentation.

Phase 1 - Neutre	120 V
Phase 2 - Neutre	120 V
Phase 1 - Phase 2	208 V / 240 V

Instructions d'installation

Installation d'un conduit à 3 fils

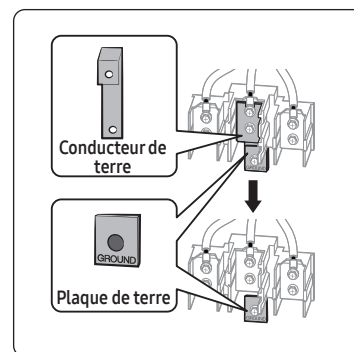
- Un fil de construction en aluminium peut être utilisé, toutefois celui-ci doit être calibré selon l'ampérage et la tension appropriés pour effectuer le branchement. Branchez les fils selon l'étape 4 en fonction du nombre de fils.
- Le fil utilisé, l'emplacement et le boîtier des épissures, etc., doivent être conformes aux bonnes pratiques de câblage et aux codes locaux.



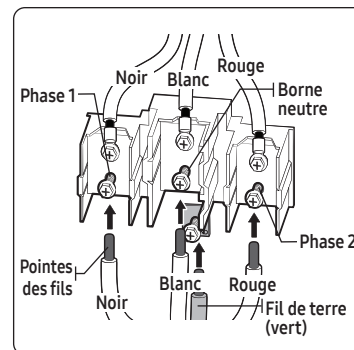
1. Desserrez les 3 vis de la borne inférieure du bornier.
2. Insérez la pointe du fil nu central (blanc/neutre) dans l'ouverture du bornier central inférieur. Sur certains modèles, le fil devra être inséré dans l'ouverture du conducteur de terre, puis dans l'ouverture du bornier central inférieur.
3. Insérez les deux pointes latérales du fil nu dans les ouvertures du bornier inférieur gauche et du bornier inférieur droit.
4. Serrez les vis jusqu'à ce que le fil soit fermement fixé (35 à 50 pouces-livres). Ne serrez pas trop les vis, car cela pourrait endommager les fils.
5. Passez à l'étape 6 de la page 19 et poursuivez l'installation.

Installation d'un conduit à 4 fils

- Un fil de construction en aluminium peut être utilisé, toutefois celui-ci doit être calibré selon l'ampérage et la tension appropriés pour effectuer le branchement. Branchez les fils selon cette étape 4 en fonction du nombre de fils.
- Le fil utilisé, l'emplacement et le boîtier des épissures, etc., doivent être conformes aux bonnes pratiques de câblage et aux codes locaux.

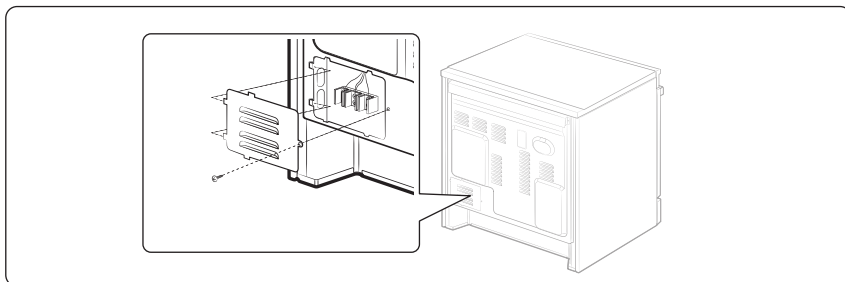


1. Desserrez les 3 vis de la borne inférieure du bornier. Retirez la vis de terre et la plaque de mise à la terre et conservez-les.
2. **Coupez et jetez le conducteur de terre. Ne jetez aucune vis.**
3. Insérez la pointe du fil nu de terre entre le cadre de la cuisinière et la plaque de terre (retirée précédemment) et fixez-la en place avec la vis de terre (retirée précédemment).
4. Insérez la pointe du fil nu (blanc/neutre) dans l'ouverture du bornier central inférieur.
5. Insérez les deux pointes latérales du fil nu dans les ouvertures du bornier inférieur gauche et du bornier inférieur droit.
6. Serrez les vis jusqu'à ce que le fil soit fermement fixé (35 à 50 pouces-livres). Ne serrez pas trop les vis, car cela pourrait endommager les fils.
7. Passez à l'étape 6 et poursuivez l'installation.



Étape 6 : Remplacement du panneau d'accès

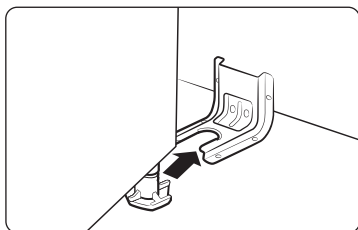
Remettez le panneau d'accès en place à l'arrière de la cuisinière. Pour remplacer la protection des fils, insérez les doubles saillies dans les poches situées sous l'ouverture et serrez la vis.



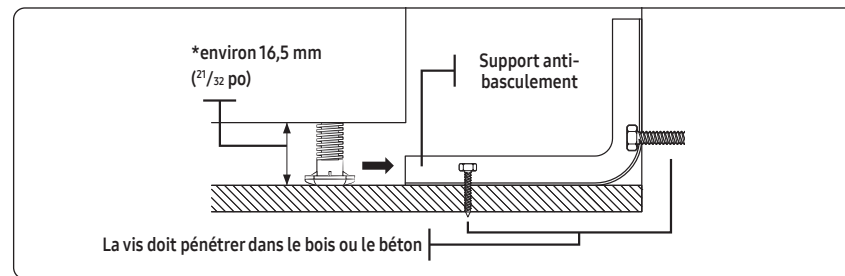
Étape 7 : Installation du dispositif anti-basculement

⚠ AVERTISSEMENT

- Pour réduire le risque de basculement, l'appareil doit être sécurisé en installant correctement le dispositif anti-basculement fourni avec l'appareil.
- Toutes les cuisinières peuvent basculer et entraîner des blessures corporelles.
- Les cuisinières qui basculent peuvent provoquer des brûlures dues à des déversements, des blessures et/ou la mort.
- Pour éviter tout basculement accidentel, installez et vérifiez le support anti-basculement en suivant les instructions et le modèle fournis avec le support.



Un support anti-basculement et des vis, des instructions d'installation ainsi qu'un modèle sont livrés avec chaque cuisinière (PN DG94-00870B). Les instructions comprennent les informations nécessaires pour terminer l'installation du support anti-basculement. Lisez et suivez les instructions de la feuille et utilisez le modèle correspondant à l'installation du support anti-basculement. Si elle n'est pas correctement installée, la cuisinière peut basculer si vous ou un enfant se tient debout, s'assoit ou s'appuie sur une porte de four ouverte.



📖 REMARQUE

Desserrez le pied de mise à niveau pour installer le support anti-basculement. Un dégagement minimum de 16,5 mm ($21/32$ po) est nécessaire entre le fond de la cuisinière et le sol de la cuisine.

Pour vérifier si le support est bien installé et enclenché, retirez le tiroir de rangement et regardez sous la cuisinière pour voir si le pied de nivellement est enclenché dans le support. Faites basculer la cuisinière vers l'avant avec précaution. Le support devrait arrêter la cuisinière à moins de 10,2 cm (4 pouces) de basculement. Si ce n'est pas le cas, il doit être réinstallé. Si la cuisinière est retirée du mur pour une raison quelconque, répétez toujours cette procédure pour vérifier si la cuisinière est correctement fixée par le support anti-basculement. Ne retirez jamais complètement les pieds de nivellement, sinon la cuisinière ne sera pas correctement fixée au dispositif anti-basculement.

Instructions d'installation

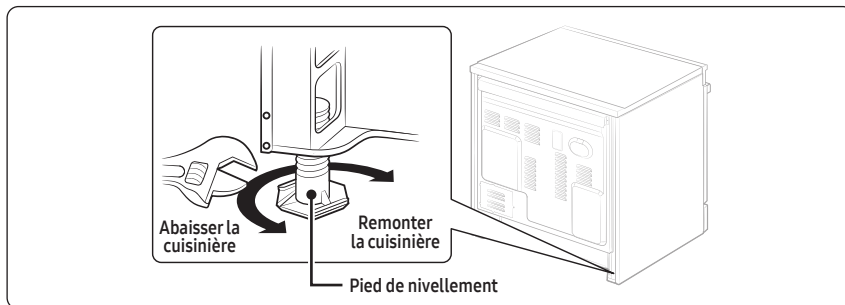
Étape 8 : Branchement et pose

⚠ AVERTISSEMENT

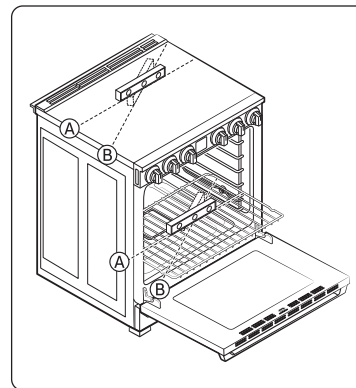
- **AVANT L'UTILISATION OU LE TEST, respectez les exigences de mise à la terre indiquées aux pages 12 de ce manuel. Tout branchement non conforme de la fiche de mise à la terre peut entraîner un risque d'électrocution.** Veuillez consulter **Electrical requirements** les pages 12.
 - Toute modification d'une partie de ce système peut entraîner un court-circuit ou une surcharge.
1. Brancher le cordon d'alimentation. Assurez-vous que la prise est conforme aux codes électriques locaux ou nationaux, comme indiqué aux pages 12.
 2. Faites glisser la cuisinière dans son emplacement.
 3. Vérifiez si le pied arrière de la cuisinière a glissé dans le support anti-basculement. Inclinez avec précaution la cuisinière vers l'avant afin de vous assurer que le support anti-basculement s'emboîte dans la fixation arrière et que la cuisinière ne bascule pas.

Étape 9 : Mise à niveau de la cuisinière

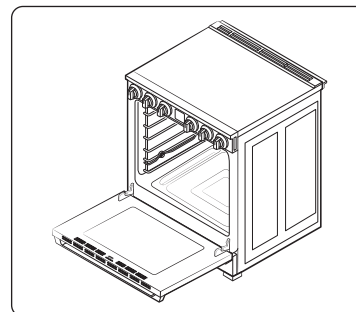
1. Installez le support à l'aide du gabarit
 - Le support anti-basculement s'accompagne d'un gabarit. Les instructions comprennent les informations nécessaires pour terminer l'installation. Lisez et suivez les instructions de la feuille (gabarit) pour l'installation de la cuisinière.
2. Mettre à niveau la cuisinière
 - Mettez la cuisinière à niveau en réglant les pieds à l'aide d'une clé.



3. Vérifiez vos réglages



- Utilisez un niveau à bulle pour vérifier vos réglages. Placez le niveau en diagonale sur la grille du four ou sur la plaque de cuisson et vérifiez que la cuisinière est de niveau dans les deux directions indiquées ci-dessous.
 - **A.** Vérifiez le sens A.
 - **B.** Vérifiez le sens B.
- Si le niveau à bulle indique que la cuisinière n'est pas de niveau, ajustez les pieds de mise à niveau à l'aide d'une clé.



📖 REMARQUE

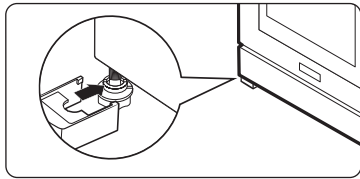
- Vérifiez que l'appareil est installé de niveau et que la porte s'ouvre sans problème.
- Si la porte ne s'ouvre pas complètement, mettez à niveau la cuisinière en ajustant les pieds de nivellement arrière.
 - Modèle appliqué : DOP30**40I*
 - Augmentez la hauteur de l'arrière de la cuisinière.



⚠ MISE EN GARDE

Pour votre sécurité, n'essayez pas de modifier ou de redresser les pieds avant. Les pieds de nivellement avant de la cuisinière sont conçus pour être inclinés afin d'éviter le basculement accidentel de l'appareil.

Notes



4. Après avoir installé et mis à niveau la cuisinière, installez les couvre-jambes avant (droit et gauche).

Étape 10 : Liste de contrôle de l'installation finale

Vous venez de terminer l'installation de votre cuisinière. Assurez-vous que toutes les commandes sont en position **Désactivé** et que le flux d'air de ventilation vers la cuisinière n'est pas obstrué. Voici une liste de contrôle qui permet de confirmer que votre cuisinière est installée en toute sécurité et prête à fonctionner.

- La cuisinière est branchée dans une prise électrique correctement mise à la terre.
- Le support anti-basculement approuvé est correctement installé et enclenché avec la cuisinière.
- La cuisinière est mise à niveau et repose fermement sur un sol solide et plat.
- Le bon fonctionnement de tous les éléments a été testé.

Notes

Notes

dacor



DG68-01672A-00

Dacor · Numéro de téléphone : 833-353-5483 (États-Unis), 844-509-4659 (Canada) · www.dacor.com