



M Series Oven

Use and Care Guide

CLEANING, MAINTENANCE,
AND MORE



Contents

- 4** Safety Precautions
- 6** M Series Oven Features
- 7** Oven Operation
- 18** Cooking Guide
- 21** Care Recommendations
- 22** Troubleshooting
- 23** Wolf Warranty

Customer Care

The model and serial number are printed on the enclosed product registration card. Both numbers are also listed on the product rating plate. Refer to page 6 for rating plate location. For warranty purposes, you will also need the date of installation and name of your authorized Wolf dealer. Record this information below for future reference.

SERVICE INFORMATION

Model Number	_____
Serial Number	_____
Date of Installation	_____
Certified Service Name	_____
Certified Service Number	_____
Authorized Dealer	_____
Dealer Number	_____

If your product ever needs attention, be sure to use a Wolf Factory Certified Service provider recommended by our Customer Care Center, or select one from our list of providers available at wolfappliance.com/locator. All Factory Certified Service providers are carefully selected and thoroughly trained by us.

Important Note

To ensure this product is installed and operated as safely and efficiently as possible, take note of the following types of highlighted information throughout this guide:

IMPORTANT NOTE highlights information that is especially important.

⚠ CAUTION

Indicates a situation where minor injury or product damage may occur if instructions are not followed.

⚠ WARNING

States a hazard that may cause serious injury or death if precautions are not followed.

IMPORTANT NOTE: Throughout this guide, dimensions in parentheses are millimeters unless otherwise specified.

IMPORTANT INSTRUCTIONS

GENERAL SAFETY PRECAUTIONS

- Read this guide carefully before using this appliance to reduce risk of fire, electric shock, or injury.
- This appliance must be properly installed and serviced by a qualified installer or service agency and grounded by a qualified technician.
- Clean only those parts listed in this guide.
- Do not use oven cleaners. No commercial oven cleaner or oven liner protective coating of any kind should be used in or around any part of the oven.
- Do not touch heating elements or interior surfaces of oven. Heating elements may be hot even though they are dark in color. Interior surfaces become hot enough to cause burns. During and after use, do not touch, or let clothing or other flammable materials contact heating elements or interior surfaces of the oven until they have had sufficient time to cool.
- Exercise caution when opening the oven door. Let hot air or steam escape before looking or reaching into the oven.
- Be sure that the oven cool air intake (located above the door) and oven exhaust vent (located below the door) are unobstructed at all times.
- Always use dry pot holders when removing pans from this appliance. Wet or damp pot holders can cause steam burns. Do not use a towel or bulky cloth in place of pot holders.
- Position oven racks in the desired locations when the oven is cool. If a rack must be repositioned after the oven is already hot, be sure the pot holder does not contact a hot heating element in the oven.
- Do not repair or replace any part of this appliance unless specifically recommended in literature accompanying this appliance.
- Do not use aluminum foil to line any part of this appliance.
- Never use this appliance to warm or heat the room.
- Do not leave children alone or unattended in the area where this appliance is in use. Never allow children to sit or stand on the appliance.
- Do not store items of interest to children above or at the back of this appliance, as they could climb on the appliance to reach items and be injured.

⚠ CAUTION

Before using self-clean, remove broiler pan, oven racks, oven rack guides, and any other utensils.

IMPORTANT INSTRUCTIONS

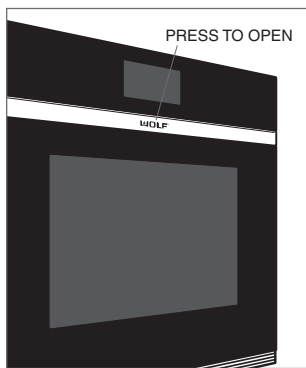
GENERAL SAFETY PRECAUTIONS

- Do not use water on grease fires. Smother the flame or use a dry chemical or foam-type extinguisher.
- Do not heat unopened food containers, such as baby food jars and cans. Pressure build-up may cause the container to burst and cause injury.
- Do not store or use gasoline or other flammable vapors and liquids in the vicinity of this or any other appliance.
- Do not clean the oven gasket; rubbing or moving the gasket may compromise the door seal.
- Wear proper apparel. Loose-fitting or hanging garments should never be worn while using this appliance.
- For contemporary models, press the upper middle section of the door firmly to open. To close, rotate the door upward, then press firmly to close. Refer to the illustration below.

⚠ WARNING

PROPOSITION 65 FOR CALIFORNIA RESIDENTS

Cancer and Reproductive Harm—
www.P65Warnings.ca.gov



Contemporary model

M Series Oven Features

M Series Oven Features

FEATURES

- | | |
|---|--|
| 1 | Product Rating Plate (lower oven for double ovens) |
| 2 | Adjustable Oven Rack |
| 3 | Full-Extension Oven Racks |
| 4 | Touchscreen |
| 5 | Control Knobs (professional model) |
| 6 | Convection Fans |
| 7 | Temperature Probe Receptacle |
| 8 | Halogen Lighting |

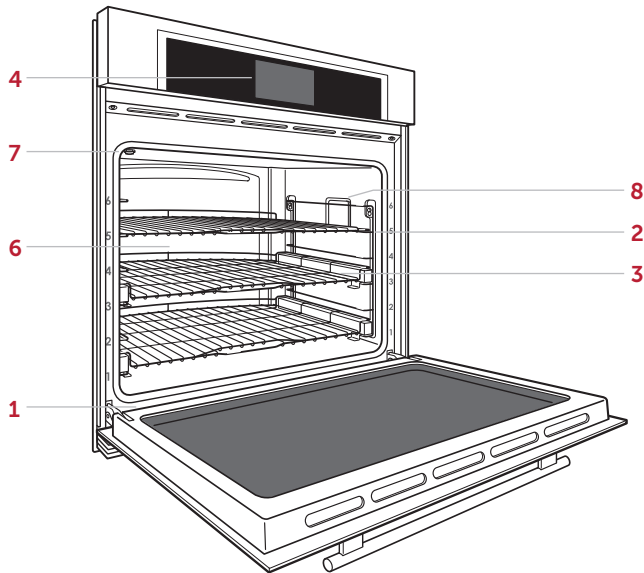
Getting Started

We know you are eager to start cooking, but before you do, please take some time to read this use and care guide. Whether you are an occasional cook or an expert chef, it will be to your benefit to familiarize yourself with the safety practices, features, operation, and care recommendations of your Wolf M Series Oven.

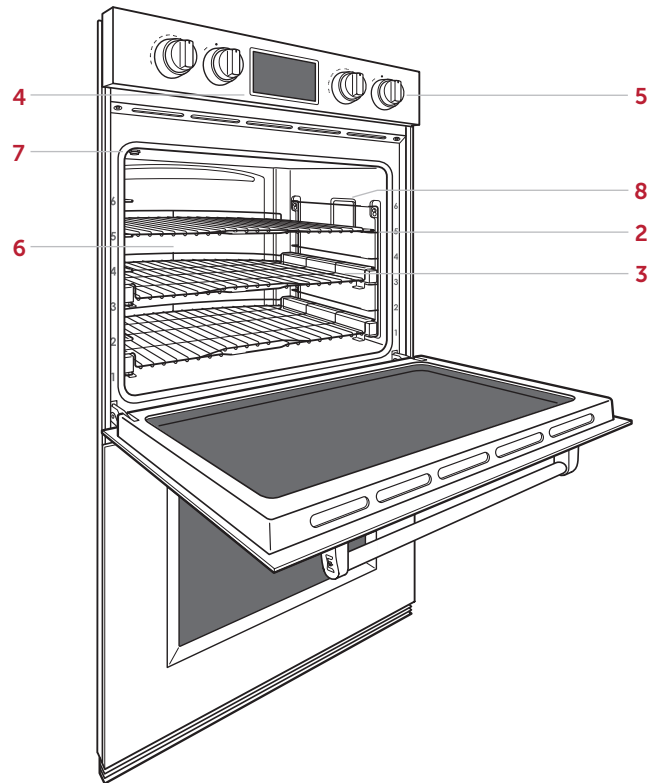
To ensure the best results, review the cooking modes and special features on page 12.

⚠ CAUTION

Do not place cookware on the oven floor or use aluminum foil or other material to line the oven floor or side walls. Failure to adhere to this notice will damage the porcelain interior and will void your warranty.



M Series Single Oven (Transitional shown)



M Series Double Oven (Professional shown)

Oven Operation

Oven Racks

OVEN RACK POSITION

The oven racks can be placed in any of the six positions labeled on the front face of the oven. Refer to the illustration below.

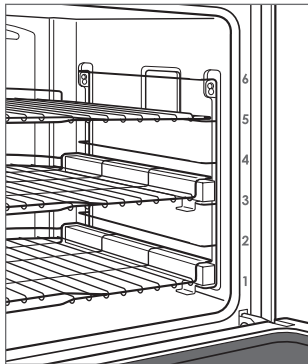
OVEN RACK GUIDES

To insert the rack guides in the oven, locate the mounting screws on the oven side walls. Place the rack guide mounting tabs over the top screws, pivot inward and slide down until fully seated. Refer to the illustration below.

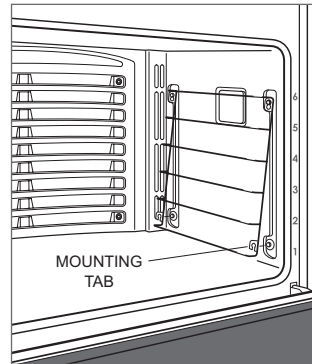
OVEN RACKS

To insert a standard rack in the oven, place the rack anti-tip lock under the side rack guide rails. Slide the rack back and lift up to clear the rack stops. Continue to slide the rack back until completely inside the oven. Refer to the illustration below.

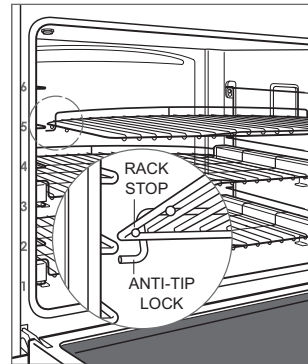
To insert a full-extension rack, place the two rear tabs onto the rack guide (one tab above and one below). Refer to the illustration below. Angle the rack slightly and slide back until the front rack notch engages the front rack guide.



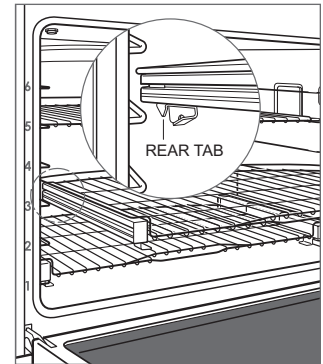
Oven rack position



Oven rack guide



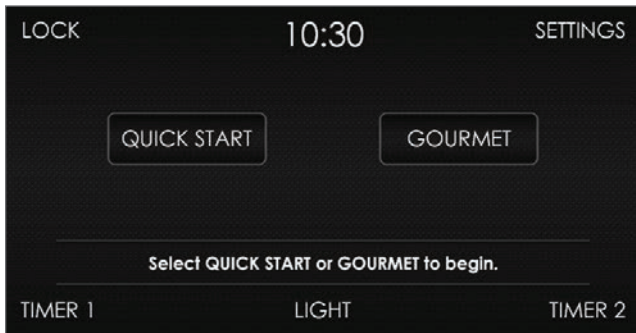
Oven rack anti-tip lock



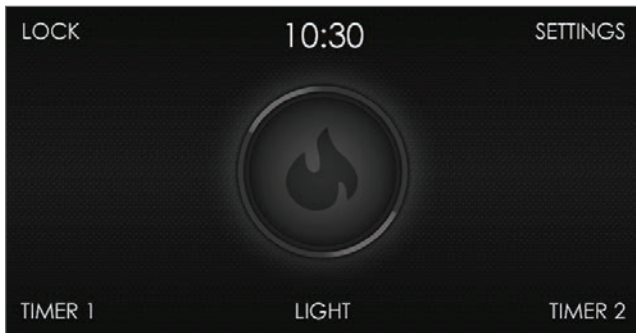
Full-extension rack

Touchscreen

The touchscreen utilizes touch technology to select cooking modes and other functions. Refer to the illustrations below. For professional models, cooking modes and temperatures are selected using the knobs.



Home screen—single transitional and contemporary shown



Home screen—single professional shown

COOKING OPTIONS

- | | |
|--------------------|---|
| QUICK START | Touch to initiate cooking, then select from options on the touchscreen. For the professional model, turn the knob to the desired mode. |
| GOURMET | Touch to initiate Gourmet meal preparations, then select from options on the touchscreen. For the professional model, turn the knob to Gourmet. |
-

Oven Operation

PRIOR TO USE

To ensure all residual oil from the manufacturing process has been removed, each oven must go through the following procedure:

- 1 Clean the oven thoroughly with hot water and a mild detergent. Rinse and dry with a soft cloth.
- 2 Turn on ventilation. Some smoke and odor is normal.
- 3 Touch or turn the knob to Convection Roast and adjust the temperature to 500°F (260°C) for one hour.
- 4 Touch Off (turn the knob to Off for professional model) and allow the oven to cool with the door closed.

PREHEAT

During preheat, the oven is heated as quickly and evenly as possible and is not ideal for cooking. Preheat should be used for all cooking modes except Broil, Warm, and some modes in Gourmet. Once preheat is complete, a chime indicates the oven has reached the set temperature.

CLOCK

The clock is visible on the touchscreen during all cooking modes. It is very important the clock is set to the correct time if a timed cook feature is used. The clock must be reset after a power outage.

The clock sets automatically if the unit is connected to Wi-Fi.

Setting clock:


- 1 Touch Settings, then select Time.
- 2 Touch 12 Hour or 24 Hour mode.
- 3 Use the slide bar to set the time of day, select AM or PM, then touch Set. A chime indicates the clock has been set.

Time can also be adjusted by touching the time display on the home screen.

TIMER

Each timer can be set for a maximum of 11 hours and 59 minutes. Once a time is set, the countdown appears on the display. The timer is independent from the oven. Setting the timer does not impact cook time or stop time.

Setting timer:

- 1 Touch Timer 1 or Timer 2.
- 2 Use the slide bars to set the duration, then touch Set. A chime indicates the timer is set.
- 3 To edit the timer, touch the countdown time on the display, then use the slide bars to set the duration.
- 4 To cancel the timer, touch the countdown time on the display, then touch .
- 5 The timer chimes with one minute remaining. The timer chimes and flashes when complete.
- 6 Touch the flashing time to clear.

Oven Operation

Extended Options

Touch Settings to access the extended options. Touch or use the slide bar to select the desired option. If more information is needed, touch Info.

OPTIONS

Time	Select 12 hour or 24 hour.
Sabbath	Turn Sabbath on or off.
Clock	Select digital, analog, blank, or logo.
Connect	Turn connect on or off.*
Standby	Turn standby power on or off.
Language	Select: English, Spanish, French, Italian, German, Dutch, or Chinese.
Units	°F/Imperial or °C/Metric.
Showroom	For showroom use only.
Info	Access helpful tips and product information.
About	For service only.
Temp Offset	For service only.
Calibration	Adjust display calibration.
Sound	Mute, 1-5 and high, medium, low.
Brightness	Adjust display brightness: 0-100%.

**To connect to the Sub-Zero Group Owner's App, connect must be turned on.*

Cooking Modes

The oven has ten cooking modes—Bake, Roast, Broil, Convection Roast, Convection, Gourmet, Proof, Stone, Dehydrate, and Warm. Stone and Dehydrate require accessories. Refer to the chart on page 12.

SETTING CONTROLS

- 1 Touch Quick Start. The oven defaults to Bake mode. Touch or use the slide bar to select the desired cooking mode. For the professional model, turn the knob to the desired cooking mode.
- 2 Touch the temperature (Start for professional models) to select the preset temperature. To change the temperature, touch or use the slide bar to select the desired temperature, then touch the temperature or wait 5 seconds. The unit turns on automatically if the temperature is not touched. For the professional model, turn the knob to adjust the temperature.
- 3 Touch Off to end the mode. For the professional model, turn the knob to Off.

Cooking Modes

GOURMET

Gourmet provides a variety of quick and convenient meal preparations. Gourmet also provides recommendations for ideal rack positions and tips to ensure cooking confidence. Refer to the instructions on the touchscreen to determine whether preheat is required.

Choose from six categories—meat, fish, baked goods, pizza, vegetables, and one dish meals. Each category can be refined to ensure the most effective cooking mode and rack position to create a cooking masterpiece. Refer to the Gourmet guide.

GOURMET GUIDE

MEAT	Beef	steak, tenderloin, roast, prime rib, meatloaf, slow cook
	Poultry	whole bird, fresh pieces, whole breast
	Pork	ribs, tenderloin, roast, steak, chop, whole ham
	Lamb	leg, roast, rib rack
FISH	Steak	
	Fillet	
	Breaded	
BAKED GOODS	Cookies	
	Cake	sheet, fluted, angel, pound, cupcakes
	Pie	single crust, double crust
	Bread	quick bread, yeast loaf, yeast rolls, biscuits
PIZZA	Fresh	
	Par-Baked	
	Calzone	
VEGETABLES	Roasted	
	Sweet Potato	
	Baked Potato	
ONE DISH MEALS	Casserole	
	Lasagna	
	Quiche	

Oven Operation

Cooking Modes

MODE	PRESET	RANGE	PROBE	USES
BAKE	350°F (175°C)	200–550°F (95–290°C)	•	Best for single-rack cooking, primarily baked foods. Use for standard recipes.
ROAST	350°F (175°C)	200–550°F (95–290°C)	•	Best for roasting less tender cuts of meat, such as chuck roasts and stew meat that should be covered.
BROIL	High Med Low	550°F (290°C) 450°F (230°C) 350°F (175°C)		Best for broiling meats, fish, and poultry pieces up to 1" thick. Use a two-piece broiler pan and always broil with the oven door closed.
CONVECTION ROAST	325°F (165°C)	200–550°F (95–290°C)	•	Gently browns the exterior and seals in juices. Perfect for roasting tender cuts of beef, lamb, pork, and poultry.
CONVECTION	325°F (165°C)	200–550°F (95–290°C)	•	Uniform air movement makes it possible to multi-level rack cook with even browning.
GOURMET	—	—	•	Gourmet provides quick and convenient meal preparations with recommendations for cooking mode and rack position. Refer to page 11. Preset temperature and range are dependent on the food and desired doneness.
PROOF	85°F (30°C)	85–110°F (30–45°C)		Ideal for proofing, or rising bread dough.
STONE	450°F (230°C)	200–550°F (95–290°C)	•	Baking on a ceramic stone. Great for pizza and bread. Stone accessory required.
DEHYDRATE	135°F (60°C)	110–170°F (45–75°C)		Dry a variety of fruits, vegetables, herbs, and meat strips. Accessory racks required.
WARM	180°F (80°C)	140–200°F (60–95°C)	•	Designed to keep foods at serving temperature.

Oven Operation

Temperature Probe

Use only the temperature probe shipped with this appliance. Refer to the illustration below. The temperature probe measures the internal temperature of food while cooking. It can be used with all cooking modes except Broil, Proof, and Dehydrate.

Setting controls:

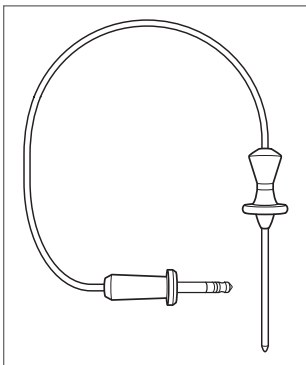
- 1 Preheat the oven to the desired oven temperature in the desired mode (Bake or Stone mode for breads).
- 2 Insert the probe into the thickest area of food. When making bread, cook for approximately 10 minutes before inserting the probe.
- 3 When preheat is complete, insert the probe into the probe receptacle. Refer to the illustration below. Close the oven door.
- 4 Touch Probe.
- 5 Touch Set to select the preset temperature. To change the temperature, use the slide bar to select the desired temperature, then touch Set.
- 6 A chime indicates the internal temperature has reached the probe setpoint. Remove and reinsert the probe to verify the internal temperature.

⚠ CAUTION

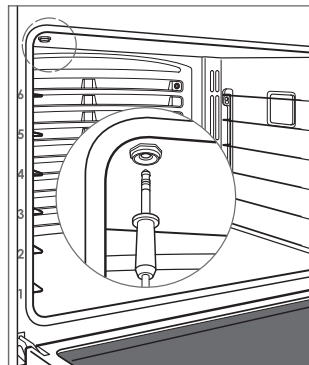
Pull straight down when removing the probe from the receptacle. Bending or pulling the probe at an angle during removal may damage the probe and oven. Do not place a rack or accessory in rack position six when using the probe, as it interferes with probe removal.

⚠ CAUTION

The probe and probe receptacle will be very hot. Handle with care.



Temperature probe



Probe receptacle

Auto Program

TIMED COOK

Timed cook automatically turns the oven off at a specified time. The oven begins to heat immediately and turns off at the desired stop time. If preheat is required, the preheat time must be accounted for when determining the cooking duration. The clock must be set to the correct time to function properly. Use in any cooking mode except Broil, Gourmet, or Stone. The temperature probe cannot be used during Timed Cook.

Setting controls:

- 1 Touch Quick Start, then select the desired cooking mode and temperature. For the professional model, turn the knobs to the desired mode and temperature.
- 2 Touch Timed Cook, then select the desired cooking duration.
- 3 Touch Start.
- 4 To cancel, touch the flashing duration/stop time on the touchscreen.
- 5 The oven turns off automatically when the cook time is complete.
- 6 Touch Off to clear.

DELAYED START

Delayed start automatically turns the oven on and off at specified times. The oven remains idle until the desired start time and turns off at the desired stop time. If preheat is required, the preheat time must be accounted for when determining the cooking duration. The clock must be set to the correct time to function properly. Use in any cooking mode except Broil, Gourmet, or Stone. The temperature probe cannot be used during Delayed Start.

Setting controls:

- 1 Touch Quick Start, then select the desired cooking mode and temperature. For the professional model, turn the knobs to the desired mode and temperature.
- 2 Touch Timed Cook, then select the desired cooking duration.
- 3 Use the touchscreen to select the desired stop time, then touch Start.
- 4 To cancel, touch the flashing duration/stop time on the touchscreen.
- 5 The oven turns off automatically when the cook time is complete.
- 6 Touch Off to clear.

Sabbath

This appliance is certified by Star-K to meet strict religious regulations in conjunction with specific instructions found on www.star-k.org.

Bake, Roast, Proof, and Warm modes can be used in Sabbath.

Setting controls:

- 1 Turn the oven light on or off.
- 2 Touch Settings, then select Sabbath Mode.
- 3 Touch On, then touch Start.
- 4 Select the cooking mode and temperature, then touch Start.
- 5 After ten seconds, the unit enters Sabbath.
- 6 To change the oven temperature while in Sabbath, use the touchscreen to select the desired temperature, then touch Start. The temperature changes randomly after the new temperature is selected.
- 7 Touch Off to end the mode. The Sabbath icon goes away after ten seconds.

Clean

⚠ CAUTION

During clean, exterior surfaces may get hotter than usual. Children should be kept away.

During Clean, the oven is heated to an extremely high temperature to burn off food soil. The oven lights are disabled. Clean lasts approximately four hours.

Porcelain is made from natural products and, therefore, can chip or develop fine lines and cracks due to the expansion and contraction that occurs as oven temperature fluctuates (particularly when the self-cleaning function is employed). This can result in cosmetic imperfections, such as a cloudy, dull, or scratched appearance. Cosmetic imperfections may be more visible in a colored oven cavity.

IMPORTANT NOTE: For double ovens, the other oven cannot be used during Clean.

Setting controls:

- 1 Turn on ventilation. Some smoke and odor is normal.
- 2 Touch Quick Start, then touch Clean. For the professional model, turn the knob to More, then touch Clean on the touchscreen.
- 3 Touch Start, then open the oven door.
- 4 Remove the oven racks and rack guides, then close the door.
- 5 Touch Ok.
- 6 The oven door locks and stays locked until cleaning is complete and the oven temperature is below 550°F (290°C).
- 7 Touch Off to clear. For the professional model, turn the knob to Off.

DELAYED CLEAN

Setting controls:

- 1 Turn on ventilation. Some smoke and odor is normal.
- 2 Touch Quick Start, then touch Clean. For the professional model, turn the knob to More, then touch Clean on the touchscreen.
- 3 Touch Delayed Clean and use the touchscreen to select the desired start time, then touch Start.
- 4 Remove the oven racks and rack guides, then close the door.
- 5 Touch Ok.
- 6 The oven door locks and stays locked until cleaning is complete and the oven temperature is below 550°F (290°C).
- 7 Touch Off to clear. For the professional model, turn the knob to Off.

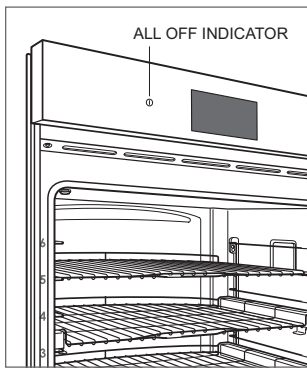
Oven Operation

All Off

All Off turns all active ovens off. Touch  to turn the oven(s) off.

For Transitional and Contemporary Black Glass models, the indicator only appears during Clean.

The indicator does not appear on Professional models. To turn the oven(s) off, turn the knob(s) to Off.



All Off

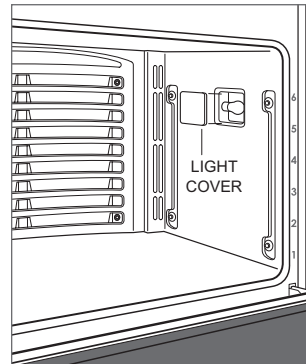
Oven Light

WARNING

Verify power is disconnected from the electrical box before replacing a light bulb.

Allow the oven to cool completely, then remove oven racks and rack guides. To remove the light cover, gently pry the bottom edge with a flat screwdriver. Remove the existing bulb and replace with a 40-watt halogen bulb. Refer to the illustration below.

To replace the light bulb located on the top of the oven cavity, contact Wolf Factory Certified Service. For the name of the nearest Wolf Factory Certified Service, check the Product Support section of our website, wolfappliance.com, or call Wolf Customer Care at 800-222-7820.



Light bulb replacement

Cooking Guide

Wolf Cooking Guide

FOOD	RACK(S)	MODE	OVEN TEMP	POSITION	TIME	NOTES
BREADS						
Biscuits	1	Roast	400°F (205°C)	3	5–10 min	
	2	Convection	425°F (220°C)	2, 5	5–10 min	
	3	Convection	425°F (220°C)	1, 3, 5	5–10 min	
Cinnamon rolls	1	Bake	350°F (175°C)	3	20–25 min	
	2	Convection	325°F (165°C)	2, 5	20–25 min	
	3	Convection	325°F (165°C)	1, 3, 5	20–25 min	
Garlic bread	1	Broil	Med	5		
Muffins	1	Bake	400°F (205°C)	3	15–20 min	
	2	Convection	375°F (190°C)	2, 5	10–15 min	
	3	Convection	375°F (190°C)	1, 3, 5	10–15 min	
Quick breads	1	Bake	350°F (175°C)	3	40–50 min	
Toast	1	Broil	High	5		
Yeast bread (loaf pan)	1	Bake	350°F (175°C)	3	20–45 min	
Yeast bread (no pan)	1	Stone	450°F (230°C)	1	15–45 min	
Yeast rolls	1	Convection	375°F (190°C)	3	10–20 min	
	2	Convection	375°F (190°C)	2, 5	10–20 min	
	3	Convection	375°F (190°C)	1, 3, 5	10–20 min	
CAKES						
Angel food cake	1	Bake	350°F (175°C)	1	35–45 min	
Bundt or pound cake	1	Bake	350°F (175°C)	3	40–50 min	
Cupcakes	1	Bake	350°F (175°C)	3	20–25 min	
	2	Convection	325°F (165°C)	2, 5	15–25 min	
	3	Convection	325°F (165°C)	1, 3, 5	15–25 min	
Mixes or from scratch	1	Bake	350°F (175°C)	3	20–30 min	
	2	Convection	325°F (165°C)	2, 5	20–30 min	
	3	Convection	325°F (165°C)	1, 3, 5	20–30 min	
COOKIES						
Cookies or bars	1	Bake	350°F (175°C)	3	10–25 min	
	2	Convection	325°F (165°C)	2, 5	10–25 min	
	3	Convection	325°F (165°C)	1, 3, 5	10–25 min	
PIES						
Cream puffs	1	Convection	400°F (205°C)	3	20–30 min	
Double-crust or streusel topped	1	Bake	375°F (190°C)	3	40–45 min	
Lemon meringue	1	Broil	Low	3	10–15 min	
Pie crust (empty)	1	Bake	425°F (220°C)	3	10–15 min	
Puff pastry	1	Bake	400°F (205°C)	3	10–15 min	
	2	Convection	375°F (190°C)	2, 5	10–15 min	
	3	Convection	375°F (190°C)	1, 3, 5	10–15 min	
Pumpkin or custard	1	Bake	425°F (220°C) / 325°F (165°C)	3	see note	Bake for 15 min at 425°F, reduce temp to 325°F, and bake until pie is set, 45–60 min.

Consuming raw or undercooked meats, poultry, seafood, shellfish, or eggs may increase your risk of foodborne illness.

Wolf Cooking Guide

FOOD	MODE	OVEN TEMP	RACK	TIME	PROBE TEMP	NOTES
BEEF						
Chuck roast	Conv Roast	325°F (165°C)	3	20–25 min/lb	Med 150°F (65°C)	Place in dish with liquid ½ the height of the meat.
	Roast	350°F (175°C)	3	20–25 min/lb	Med 150°F (65°C)	
Ground patties	Broil	High	5	10–15 min		Turn over at 7 min.
Prime rib	Roast	450°F (230°C) / 225°F (105°C)	2	see note	Rare 130°F (55°C)	No preheat required. Roast for 30 min at 450°F, reduce temp to 225°F, and cook to desired internal temp.
Roast	Roast	425°F (220°C) / 325°F (165°C)	2	see note	Rare 135°F (60°C)	Roast for 30 min at 425°F, reduce temp to 325°F, and cook to desired internal temp.
Slow roast	Bake	300°F (150°C)	2			Place in covered dish with liquid ¼ the height of the meat.
Steaks (< 1" thick)	Broil	High	5	10–15 min		Turn over at 6 min.
Steaks (> 1" thick)	Broil	High	5	10–20 min		Turn over at 8 min.
Tenderloin	Conv Roast	450°F (230°C)	3	10–20 min/lb	Rare 130°F (55°C)	
POULTRY						
Chicken, bone-in	Conv Roast	325°F (165°C)	5	20–25 min	Thigh 180°F (80°C)	
Chicken boneless breast (flattened to ½" thick)	Broil	Med	5	10–15 min		Turn over halfway through broiling.
	Conv Roast	350°F (175°C)	3	15–20 min	Breast 165°F (75°C)	
Chicken quarters, thighs	Broil	Med	5	20–25 min		Turn over halfway through broiling.
	Roast	350°F (175°C)	3	30–40 min	Thigh 180°F (80°C)	
	Conv Roast	325°F (165°C)	3	30–40 min	Thigh 180°F (80°C)	
	Bake	350°F (175°C)	3	30–40 min	Thigh 180°F (80°C)	
Chicken, whole	Conv Roast	325°F (165°C)	2	10–20 min/lb	Thigh 180°F (80°C)	
Cornish hen	Conv Roast	325°F (165°C)	3	1 hour	Thigh 180°F (80°C)	
	Roast	350°F (175°C)	3	1 hour	Thigh 180°F (80°C)	
Duck	Conv Roast	325°F (165°C)	2	15–20 min/lb	Thigh 180°F (80°C)	
Goose	Conv Roast	325°F (165°C)	2	15–20 min/lb	Thigh 180°F (80°C)	
Turkey breast, whole	Conv Roast	325°F (165°C)	2	15–20 min/lb	Breast 165°F (75°C)	
	Roast	350°F (175°C)	2	15–20 min/lb	Breast 165°F (75°C)	
Turkey pieces	Conv Roast	325°F (165°C)	3	30–40 min	Thigh 180°F (80°C)	
	Roast	350°F (175°C)	3	30–40 min	Thigh 180°F (80°C)	
Turkey, whole (brined)	Bake	350°F (175°C)	1	10–15 min/lb	Thigh 180°F (80°C)	
Turkey, whole	Conv Roast	325°F (165°C)	1	10–15 min/lb	Thigh 180°F (80°C)	
	Roast	325°F (165°C)	1	10–15 min/lb	Thigh 180°F (80°C)	

Consuming raw or undercooked meats, poultry, seafood, shellfish, or eggs may increase your risk of foodborne illness.

Cooking Guide

Wolf Cooking Guide

FOOD	MODE	OVEN TEMP	RACK	TIME	PROBE TEMP	NOTES
PORK						
Chops, steaks (½" thick)	Broil	High	5	5–10 min		Turn over halfway through broiling.
	Conv Roast	350°F (175°C)	3	10–15 min		
Ham steak (< 1" thick)	Broil	High	5	5–10 min		Turn over halfway through broiling.
Ham steak (> 1" thick)	Broil	High	5	10–15 min		Turn over halfway through broiling.
Ham, whole	Bake	335°F (170°C)	2	10–15 min/lb	160°F (70°C)	Cover and rest 15 min.
Ribs	Bake	300°F (150°C)	3			Place in foil packets or covered dish with liquid ¼ the height of the meat.
Slow roast	Bake	300°F (150°C)	2			Place in covered dish with liquid ¼ the height of the meat.
Tenderloin	Conv Roast	400°F (205°C)	3	15–20 min/lb	Rare 130°F (55°C)	
LAMB						
Chops, steaks (¾" thick)	Broil	High	5	5–10 min		Turn over halfway through broiling.
Crown rack	Conv Roast	325°F (165°C)	2	15–20 min/lb	145°F (65°C)	
Leg	Conv Roast	425°F (220°C) / 325°F (165°C)	2	see note	145°F (65°C)	Roast for 30 min at 425°F, reduce temp to 325°F, and cook to desired internal temp.
Veal roast	Conv Roast	300°F (150°C)	2	30–35 min/lb	140°F (60°C)	
FISH						
Fillet (< 1" thick)	Broil	Med	5	10–20 min		
Fillet (> 1" thick)	Conv Roast	375°F (190°C)	5	15–25 min		
PIZZA						
Calzones	Stone	375°F (190°C)	1	10–15 min		
French bread pizza	Broil	Med	5	10–15 min		
Homemade pizza	Stone	450°F (230°C)	1	5–15 min		
VEGETABLES						
Mixed vegetables	Conv Roast	400°F (205°C)	4	10–20 min		
Potatoes, sweet potatoes	Bake	350°F (175°C)	3	45–60 min		
OTHER						
Meatloaf	Roast	425°F (220°C) / 325°F (165°C)	2	see note	165°F (75°C)	Roast for 20 min at 425°F, reduce temp to 325°F, and cook to desired internal temp.
Nachos	Broil	Low	3	15–20 min		
One dish meals	Bake	350°F (175°C)	3	45–60 min	175°F (80°C)	
Quiche	Bake	350°F (175°C)	3	40–50 min		
Sausage, bratwurst (fresh)	Broil	Med	5	10–15 min		Turn over halfway through broiling.

Consuming raw or undercooked meats, poultry, seafood, shellfish, or eggs may increase your risk of foodborne illness.

Care Recommendations

CLEANING

Stainless steel	Use a nonabrasive stainless steel cleaner and apply with a soft lint-free cloth. To bring out the natural luster, lightly wipe the surface with a water-dampened microfiber cloth followed by a dry polishing chamois. Always follow the grain of stainless steel.
Black glass	Spray glass cleaner on a cloth to clean.
Oven racks and guides	Remove and place on a flat surface near the sink. Clean with hot water and mild detergent or paste of baking soda and water. Do not immerse in water. Towel dry.
Touchscreen	Use a spray degreaser to remove fingerprints and food soil. Spray on a cloth before wiping the touchscreen. IMPORTANT NOTE: Do not spray cleaners directly on the touchscreen.
Oven interior	IMPORTANT NOTE: Remove all food spills (especially sugary, acidic, and tomato-based sauces) when the oven interior is safe to touch. Some blemishes are permanent, but do not affect the function of the porcelain. Before using the clean feature, use a razor blade to gently lift baked on foods from the oven cavity and window. For stubborn stains, spray with a mild abrasive cleaner or spray degreaser and scrub with a no-scratch Scotch-Brite™ pad (pink or blue). Wash the entire oven cavity with soap and water to remove all cleaning chemicals before entering the clean cycle. If the residue is not cleaned from the cavity, etching of the porcelain may occur. Once the clean cycle is complete, allow the oven to cool completely and wipe out ash with a damp cloth.
Broiler pan	To clean the upper rack, use mild detergent and a scouring pad. Rinse and dry. To clean the bottom pan, discard the grease and wash with hot water and mild detergent. Rinse and dry. The upper rack is dishwasher safe, however, do not place the porcelain-coated pan in dishwasher.

Troubleshooting

OPERATION

Oven does not operate.

- 1 Verify power is on.
- 2 Verify electrical power to the oven and home circuit breaker is on.

Oven temperature issue.

- 1 Contact Wolf Customer Care at 800-222-7820 for recommendations.

No response from the touchscreen.

- 1 Unit is in Sabbath mode (★ is displayed on the touchscreen), refer to page 15.
- 2 Turn the circuit breaker off for 20 seconds, then turn back on.

“Probe Shorted” is displayed on the touchscreen.

- 1 Touch Off. Verify the probe connector is fully seated into the receptacle. Reset the oven temperature and probe temperature.

Error message is displayed during clean cycle.

- 1 For double ovens, if one oven is in an active clean cycle, the other oven can not be used.

Oven “pops” or “bangs” during preheat or cool down.

- 1 Normal with new oven cavity expansion and contraction.
- 2 Run a clean cycle. If it persists, contact Wolf Customer Care at 800-222-7820.

SERVICE

- Maintain the quality built into your product by contacting Wolf Factory Certified Service. For the name of the nearest Wolf Factory Certified Service, check the Product Support section of our website, wolfappliance.com, or call Wolf Customer Care at 800-222-7820.
- When contacting service, you will need the model and serial number of your product. Both numbers are listed on the product rating plate. Refer to page 6 for rating plate location.
- For warranty purposes, you will also need the date of installation and name of your authorized Wolf dealer. This information should be recorded on page 3 of this guide.

Wolf Appliance Residential Limited Warranty

FOR RESIDENTIAL USE

FULL TWO YEAR WARRANTY*

For two years from the date of original installation, this Wolf Appliance product warranty covers all parts and labor to repair or replace, under normal residential use, any part of the product that proves to be defective in materials or workmanship. All service provided by Wolf Appliance under the above warranty must be performed by Wolf Factory Certified Service, unless otherwise specified by Wolf Appliance, Inc. Service will be provided during normal business hours.

LIMITED FIVE YEAR WARRANTY

For five years from the date of original installation, Wolf Appliance will repair or replace the following parts that prove to be defective in materials or workmanship: gas burners (excludes appearance), electric heating elements, blower motors (ventilation hoods), electronic control boards, magnetron tubes and induction generators. If the owner uses Wolf Factory Certified Service, the service provider will repair or replace these parts with the owner paying for all other costs, including labor. If the owner uses non-certified service, the owner must contact Wolf Appliance, Inc. (using the information below) to receive repaired or replacement parts. Wolf Appliance will not reimburse the owner for parts purchased from non-certified service or other sources.

TERMS APPLICABLE TO EACH WARRANTY

The warranty applies only to products installed for normal residential use. The warranty applies only to products installed in any one of the fifty states of the United States, the District of Columbia or the ten provinces of Canada. This warranty does not cover any parts or labor to correct any defect caused by negligence, accident or improper use, maintenance, installation, service or repair.

THE REMEDIES DESCRIBED ABOVE FOR EACH WARRANTY ARE THE ONLY ONES THAT WOLF APPLIANCE, INC. WILL PROVIDE, EITHER UNDER THIS WARRANTY OR UNDER ANY WARRANTY ARISING BY OPERATION OF LAW. WOLF APPLIANCE, INC. WILL NOT BE RESPONSIBLE FOR ANY CONSEQUENTIAL OR INCIDENTAL DAMAGES ARISING FROM THE BREACH OF THIS WARRANTY OR ANY OTHER WARRANTY, WHETHER EXPRESS, IMPLIED OR STATUTORY.

Some states do not allow the exclusion or limitation of incidental or consequential damages, so the above limitation or exclusion may not apply to you. This warranty gives you specific legal rights and you may also have other legal rights that vary from state to state.

To receive parts and/or service and the name of Wolf Factory Certified Service nearest you, contact Wolf Appliance, Inc., P.O. Box 44848, Madison, WI 53744; check the Product Support section of our website, wolfappliance.com, email us at customerservice@subzero.com or call 800-222-7820.

*Stainless steel (doors, panels, handles, product frames and interior surfaces) are covered by a limited 60-day parts and labor warranty for cosmetic defects.

*Replacement filters for ventilation hood recirculating kits are not covered by the product warranty.



Contenido

- 4** Precauciones de seguridad
- 6** Características de los hornos de la serie M
- 7** Funcionamiento del horno
- 18** Guía de cocina
- 21** Recomendaciones sobre el cuidado
- 22** Resolución de problemas
- 23** Garantía de Wolf

Atención al cliente

El modelo y número de serie están impresos en la tarjeta de registro del producto adjunta. Los dos números también aparecen en la placa de datos del producto. Consulte la página 6 para encontrar la placa de datos. Para fines de la garantía, usted también necesitará la fecha de instalación y el nombre de su distribuidor autorizado de Wolf. Anote esta información abajo para referencia futura.

INFORMACIÓN PARA SERVICIO

Número de modelo

Número de serie

Fecha de instalación

Nombre de servicio certificado

Número de servicio certificado

Distribuidor autorizado

Número de distribuidor

Si su producto alguna vez necesita servicio asegúrese de usar un proveedor de servicios certificado por Wolf y recomendado por nuestro centro de atención al cliente, o seleccione uno de nuestra lista de proveedores en wolfappliance.com/locator. Todos los proveedores de los centros de servicio autorizados han sido cuidadosamente seleccionados y entrenados a fondo por nosotros.

Aviso importante

Para garantizar que este producto se instale y opere de la forma más segura y eficiente posible, tome nota de los siguientes tipos de información resaltada en este manual:

AVISO IMPORTANTE señala la información que es especialmente importante.

⚠ PRECAUCIÓN

Indica una situación en la que se pueden sufrir heridas leves o provocar daños al producto si no se siguen las instrucciones.

⚠ ADVERTENCIA

Indica peligro de que se produzcan heridas graves o incluso la muerte si no se siguen las precauciones.

AVISO IMPORTANTE: En toda esta guía, las dimensiones entre paréntesis son milímetros, a menos que se especifique lo contrario.

INSTRUCCIONES IMPORTANTES

PRECAUCIONES GENERALES DE SEGURIDAD

- Lea este manual con atención antes de utilizar este electrodoméstico para reducir el riesgo de incendio, descarga eléctrica o lesiones.
- Un técnico calificado o una agencia de servicio deben instalar o reparar este electrodoméstico y un técnico calificado lo debe conectar a tierra.
- Limpie solamente las partes enumeradas en este manual.
- No utilice limpiadores para hornos. No debe utilizar limpiadores comerciales para hornos ni capas protectoras de ninguna clase en o alrededor de cualquier parte del horno.
- No toque los elementos calefactores ni las superficies internas del horno. Los elementos calefactores pueden permanecer calientes incluso cuando tienen un color oscuro. Las superficies internas alcanzan altas temperaturas y pueden causar quemaduras. Durante y después del uso, no toque, ni deje que su ropa u otros materiales ignífugos entren en contacto con los elementos calefactores o superficies internas del horno hasta que hayan tenido suficiente tiempo para enfriarse.
- Tenga cuidado al abrir la puerta del horno. Deje salir el aire caliente o el vapor antes de mirar o meter las manos dentro del horno.
- Asegúrese de que la entrada de aire fresco del horno (que se encuentra arriba de la puerta) y la rejilla de ventilación del horno (que se encuentra abajo de la puerta) estén libres de obstáculos en todo momento.
- Utilice siempre guantes de cocina secos al retirar las cacerolas de este electrodoméstico. Los guantes de cocina húmedos o mojados pueden provocar quemaduras por vapor. No utilice una toalla ni un paño voluminoso en lugar de los guantes de cocina.
- Coloque las rejillas del horno a la altura deseada cuando el horno esté frío. Si debe cambiar una rejilla de posición cuando el horno esté caliente, asegúrese de que el guante de cocina no entre en contacto con un elemento calefactor caliente al interior del horno.
- No intente reparar ni cambiar parte alguna de este electrodoméstico a menos que esté específicamente recomendado en la documentación que acompaña a este electrodoméstico.
- No utilice papel de aluminio para forrar ninguna parte de este electrodoméstico.
- Nunca utilice este electrodoméstico para entibiar o calentar la habitación.
- No deje a los niños menores solos ni desatendidos en el área donde se utiliza este electrodoméstico. Nunca permita que los niños se sienten o paren sobre el electrodoméstico.
- No almacene artículos que puedan llamar la atención de niños menores arriba o detrás de este electrodoméstico, ya que podrían subirse al electrodoméstico para alcanzar los objetos y sufrir lesiones.

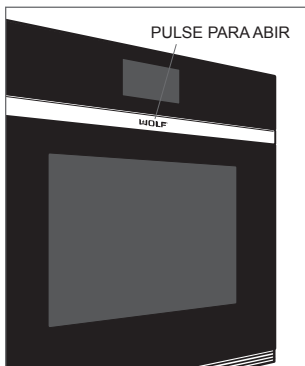
▲ PRECAUCIÓN

Antes de utilizar la autolimpieza, retire la parrilla, las rejillas del horno, las guías de las rejillas y cualquier otro utensilio.

INSTRUCCIONES IMPORTANTES

PRECAUCIONES GENERALES DE SEGURIDAD

- No utilice agua en incendios causados por grasas. Sofoque el fuego o utilice extinguidor químico seco o de espuma.
- No caliente recipientes de comida cerrados, como frascos de alimentos para bebés o enlatados. La acumulación de presión puede hacer que el recipiente explote y cause lesiones.
- No almacene ni utilice gasolina u otros vapores o líquidos ignífugos en las proximidades de este o cualquier otro electrodoméstico.
- No limpie el empaque del horno, ya que frotar o mover el empaque puede comprometer el sello de la puerta.
- Utilice ropa adecuada. Nunca debe utilizar ropa holgada ni con aplicaciones sueltas al utilizar este electrodoméstico.
- Para los modelos contemporáneos, pulse la parte central superior de la puerta con firmeza para abrir. Para cerrar, gire la puerta hacia arriba, luego presione firmemente para cerrar. Consulte la siguiente ilustración.



Modelo contemporáneo

⚠ ADVERTENCIA

PROPUESTA 65 PARA RESIDENTES DE CALIFORNIA

Cáncer y Daño Reproductivo—
www.P65Warnings.ca.gov

Características de los hornos de la serie M

CARACTERÍSTICAS

- | | |
|---|---|
| 1 | Placa de datos del producto (horno inferior para hornos dobles) |
| 2 | Rejillas ajustables del horno |
| 3 | Rejillas de extensión completa del horno |
| 4 | Pantalla táctil |
| 5 | Perillas de control (modelo profesional) |
| 6 | Ventiladores de convección |
| 7 | Recipiente de la sonda de temperatura |
| 8 | Luz de halógeno |

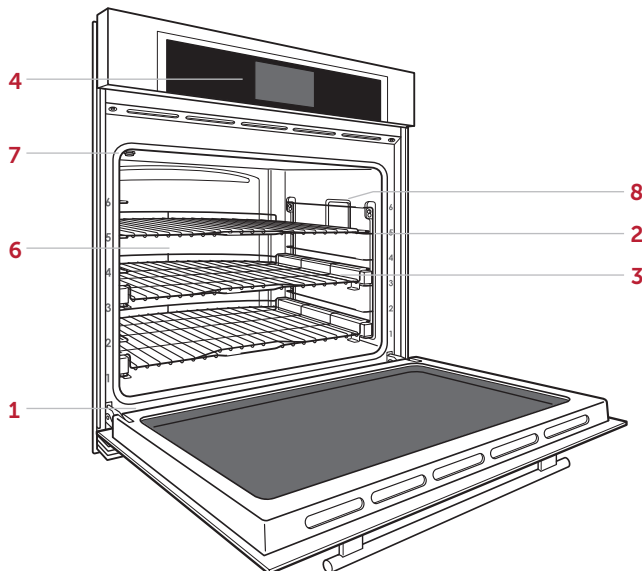
Primeros pasos

Sabemos que está ansioso por empezar a cocinar, pero antes de hacerlo, dedique un poco de tiempo a leer este manual de uso y cuidado. Si usted es un cocinero ocasional o un chef experto, se beneficiará de conocer las prácticas de seguridad, características, funcionamiento y recomendaciones sobre el cuidado de su horno de la serie M.

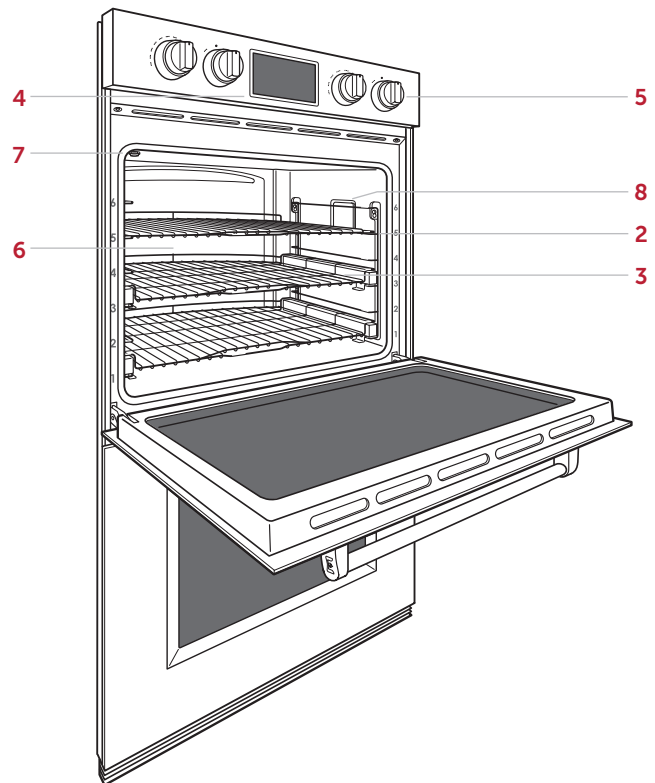
Para obtener los mejores resultados revise los modos de cocción y características especiales en la página 12.

⚠ PRECAUCIÓN

No coloque utensilios de cocina sobre el piso del horno ni utilice papel de aluminio u otro material para recubrir el piso o las paredes laterales del horno. Si hace caso omiso de este aviso se dañará el interior de porcelana y se anulará la garantía.



Horno sencillo de la serie M—de transición



Horno doble de la serie M—profesional

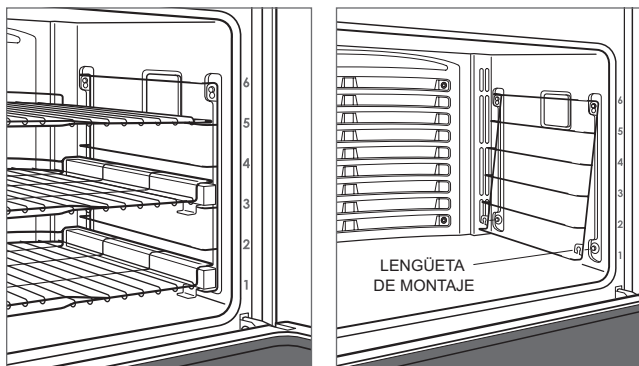
Rejillas del horno

POSICIÓN DE LA PARRILLA DEL HORNO

Las parrillas del horno se pueden colocar en cualquiera de las seis posiciones etiquetadas en la parte frontal del horno. Consulte la siguiente ilustración.

GUÍAS DE LAS REJILLAS DEL HORNO

Para insertar las guías de las rejillas del horno busque los tornillos de montaje en las paredes laterales del horno. Coloque las lengüetas de montaje de la guía de la rejilla sobre los tornillos superiores, presione hacia adentro y deslice hasta que quede bien asentada. Consulte la siguiente ilustración.

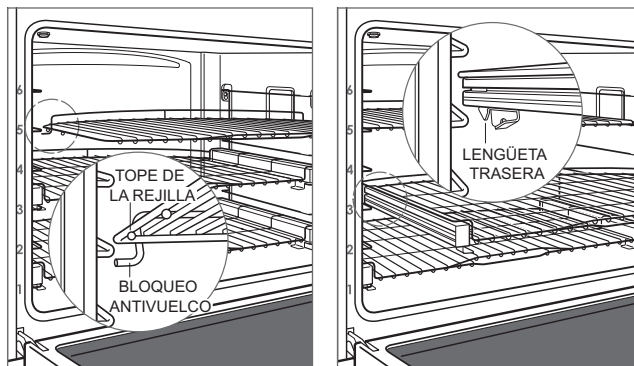


Posición de la parrilla del horno Guía de las rejillas del horno

REJILLAS DEL HORNO

Para insertar una rejilla estándar en el horno, coloque el bloqueo antivuelco de la rejilla debajo de los rieles laterales de la guía de la rejilla. Deslice la rejilla hacia atrás y levante para dejar libres los topes de la rejilla. Siga deslizando la rejilla hacia atrás hasta que esté completamente en el interior del horno. Consulte la siguiente ilustración.

Para insertar una rejilla de extensión completa, coloque las dos lengüetas posteriores sobre la guía de la rejilla (una lengüeta arriba y una abajo). Consulte la siguiente ilustración. Inclíne ligeramente la rejilla y deslícela hasta que la muesca frontal de la rejilla se acople con la guía frontal de la rejilla.

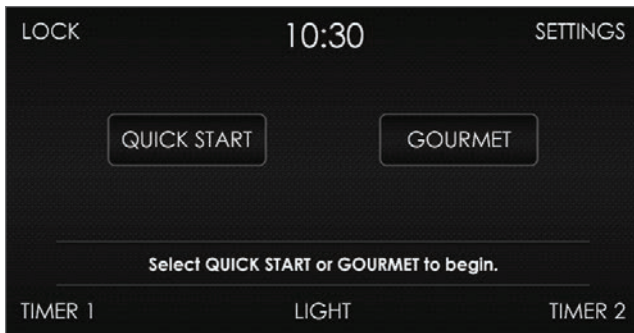


Bloqueo antivuelco para las rejillas del horno

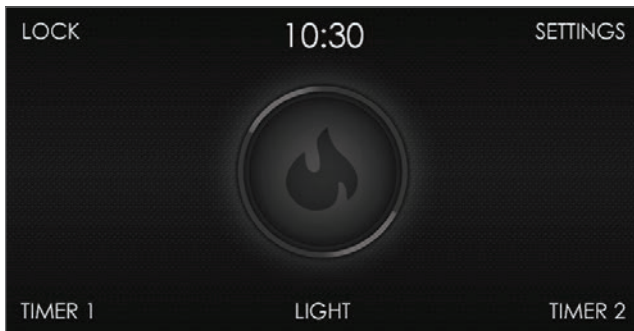
Rejilla de máxima extensión

Pantalla táctil

La pantalla táctil utiliza la tecnología de toque ("touch") para seleccionar los modos de cocción y otras funciones. Consulte las siguientes ilustraciones. Para los modelos profesionales, los modos de cocción y las temperaturas se seleccionan utilizando las perillas del selector.



Pantalla de inicio—se muestra la sencilla, de transición y contemporánea



Pantalla de inicio—se muestra la sencilla profesional

OPCIONES DE COCCIÓN

- | | |
|------------------------------------|---|
| QUICK START (INICIO RÁPIDO) | Pulse para iniciar la cocción, y después seleccione de las opciones en la pantalla táctil. Para el modelo profesional, gire la perilla del selector al modo deseado. |
| GOURMET | Pulse para iniciar la preparación de alimentos Gourmet, y después seleccione de las opciones en la pantalla táctil. Para el modelo profesional, gire la perilla del selector a Gourmet. |
-

Funcionamiento del horno

ANTES DE UTILIZARLO

Para asegurarse de que todo el aceite residual del proceso de fabricación se haya eliminado, cada horno tiene que pasar por el siguiente procedimiento.

- 1 Limpie cuidadosamente el horno con agua caliente y un detergente suave. Enjuague y seque con un paño suave.
- 2 Encienda la ventilación. La presencia de un poco de humo y olor es normal.
- 3 Pulse o gire la perilla a Convection Roast (asar por convección) y ajuste la temperatura a 500°F (260°C) durante una hora.
- 4 Pulse Off (apagar) (para el modelo profesional, gire la perilla) y deje que el horno enfríe con la puerta cerrada.

PRECALENTAMIENTO

Durante el precalentamiento, el horno se calienta lo más rápido y uniforme posible y no es ideal para cocinar. El precalentamiento debe ser utilizado para todos los modos de cocción excepto el de asado, calentamiento y algunos modos Gourmet. Una vez que se haya completado el precalentamiento, un aviso sonoro indica que el horno alcanzó la temperatura programada.

RELOJ

El reloj es visible en la pantalla táctil durante todos los modos de cocción. Es muy importante que el reloj esté ajustado a la hora correcta si se utiliza una función de cocción temporizada. El reloj debe reiniciarse después de un corte de energía.

El reloj se ajusta automáticamente si la unidad está conectada a Wi-Fi.

Para configurar el reloj:


- 1 Pulse Settings (configuración), luego seleccione Time (hora).
- 2 Pulse para seleccionar el modo de 12 Horas o de 24 Horas.
- 3 Utilice las barras deslizantes para fijar la hora del día, seleccione AM o PM, y después pulse Set (fijar). Una señal sonora indica que el reloj ha quedado configurado.

La hora también puede ajustarse mediante la selección de la pantalla de hora en la pantalla de inicio.

TEMPORIZADOR

El temporizador se puede ajustar para un máximo de 11 horas y 59 minutos. Una vez que se ajusta el tiempo, la cuenta regresiva se ilumina en la pantalla de la pantalla táctil. El temporizador es independiente del horno. Ajustar el temporizador no afecta el tiempo de cocción ni el tiempo de parada.

Configurar el temporizador:

- 1 Pulse Timer 1 o Timer 2.
- 2 Use la barra deslizante para fijar la duración, y después pulse Set (fijar). Un sonido de campana indica que la hora ha quedado configurada.
- 3 Para editar el temporizador, pulse el tiempo de cuenta regresiva en la pantalla, luego use las barras deslizantes para establecer la duración.
- 4 Para cancelar el temporizador, pulse el tiempo de cuenta atrás en la pantalla y luego pulse .
- 5 El temporizador sonará cuando reste un minuto. El temporizador sonará y destellará al finalizar.
- 6 Pulse el tiempo destellante para borrar.

Opciones extendidas

Para tener acceso a opciones extendidas, pulse Settings (configuraciones). Pulse o utilice la barra deslizable para seleccionar la opción deseada. Si necesita más información, pulse Info.

OPCIONES

Hora	Seleccione 12 horas o 24 horas.
Sabbath	Activa o desactiva el Sabbath.
Reloj	Seleccione digital, analógico, en blanco o logotipo.
Conectar	Enciende o apaga la conexión.*
Apoyar	Encienda o apague el modo de espera.
Idioma	Seleccione: inglés, español, francés, italiano, alemán, holandés o chino.
Unidades	°F/Imperial o °C/Métrico.
Salón muestra	Solo para uso en sala de exposiciones.
Información	Acceda a consejos útiles e información sobre productos.
Sobre	Solo para servicio.
Márgenes de temperatura	Solo para servicio.
Calibración	Ajuste la calibración de la pantalla.
Sonido	Mudo, 1-5 y alto, medio, bajo.
Brillo	Ajustar el brillo de la pantalla: 0-100%.

**Para conectarse a la aplicación del propietario del grupo Sub-Zero, la conexión debe estar activada.*

Modos de cocción

El horno tiene diez modos de cocción: hornear, asar, asado, asar por convección, convección, Gourmet, fermentación, piedra, deshidratar y calentamiento. Para cocer en piedra cerámica y para deshidratar se requieren accesorios. Consulte la tabla de la página 12.

AJUSTAR CONTROLES

- 1 Pulse Quick Start (inicio rápido). Por omisión, el horno estará en modo Bake (hornear). Pulse o utilice la barra deslizable para seleccionar el modo de cocción deseado. Para el modelo profesional, gire la perilla del selector al modo de cocción deseado.
- 2 Pulse la temperatura (Inicio para modelos profesionales) para seleccionar la temperatura preestablecida. Para cambiar la temperatura, pulse o utilice la barra deslizable para seleccionar la temperatura deseada, luego toque la temperatura o espere 5 segundos. La unidad se enciende automáticamente si no se toca la temperatura. Para el modelo profesional, gire la perilla del selector para ajustar la temperatura.
- 3 Pulse Off (apagar) para terminar el modo. Para el modelo profesional, gire la perilla del selector a Off (apagar).

Modos de cocción

GOURMET

Gourmet ofrece una variedad de preparaciones de comidas rápidas y convenientes. Gourmet también proporciona recomendaciones respecto a posiciones ideales de las rejillas y consejos para garantizar la confianza al cocinar. Consulte las instrucciones en la pantalla táctil para determinar si se requiere precalentamiento.

Elija de entre seis categorías: carne, pescado, alimentos horneados, pizza, verduras y comidas de un platillo. Cada categoría puede refinarse para garantizar el modo de cocción más efectivo y la posición de la rejilla para crear una obra maestra de cocina. Consulte la guía Gourmet.

GUÍA GOURMET

CARNE	Carne de res	bistec, lomo, carne rostizada, costilla, pastel de carne, cocción lenta
	Carne de aves	entero, piezas frescas, pechuga entera
	Carne de puerco	costillas, lomo, carne rostizada, bistec, chuleta, jamón entero
	Carne de cordero	pierna, carne rostizada, costillar
PESCADO	Bistec	
	Filete	
	Empanizado	
PRODUCTOS HORNEADOS	Galletas	
	Pastel	en hojas, tipo flauta, de ángel, de libra, pastelitos
	Pay	de costra sencilla, de costra doble
	Pan	pan rápido, hogaza de levadura, rollos de levadura, bisquets,
PIZZA	Fresca	
	Pre-horneada	
	Calzone	
VERDURAS	Asados	
	Camotes/batatas	
	Papas horneadas	
COMIDAS DE UN PLATILLO	Casserole	
	Lasagna	
	Quiche	

Funcionamiento del horno

Modos de cocción

MODO	PRECONFIGURADO	RANGO	SONDA	UTILIZA
BAKE (HORNEAR)	350°F (175°C)	200 a 550°F (95 a 290°C)	•	Lo mejor para cocinar en rejilla sencilla, principalmente alimentos horneados. Utilice para recetas estándar.
ROAST (ASAR)	350°F (175°C)	200 a 550°F (95 a 290°C)	•	El mejor para asar cortes menos tiernos de carne, como asados en trozo y carne para estofado que debe ir cubierta.
BROIL (ASADO)	Alto Medio Bajo	550°F (290°C) 450°F (230°C) 350°F (175°C)		Lo mejor para asar piezas de carne, pescado y aves hasta de 1" de grosor. Utilice la parrilla de dos partes y siempre realice el asado con la puerta del horno cerrada.
CONVECTION ROAST (ASAR POR CONVECCIÓN)	325°F (165°C)	200 a 550°F (95 a 290°C)	•	Dora suavemente el exterior y sella interiormente los jugos. Perfecto para asar cortes tiernos de res, cordero, puerco y aves.
CONVECCIÓN	325°F (165°C)	200 a 550°F (95 a 290°C)	•	El movimiento uniforme del aire hace posible la cocción en varios niveles de rejillas con un dorado uniforme.
GOURMET	—	—	•	Gourmet proporciona preparaciones de comidas rápidas y convenientes con recomendaciones respecto al modo de cocción y la posición de la rejilla. Consulte la página 11. La temperatura preestablecida y el rango dependen de la comida y el punto de cocción deseado.
PROOF (FERMENTACIÓN)	85°F (30°C)	85 a 110°F (30 a 45°C)		Ideal para fermentar o levar la masa de pan.
STONE (PIEDRA)	450°F (230°C)	200 a 550°F (95 a 290°C)	•	Hornear sobre una piedra cerámica. Excelente para pizza y pan. Se requiere un accesorio de piedra.
DESHIDRATAR	135°F (60°C)	110 a 170°F (45 a 75°C)		Seca una diversidad de frutas, verduras, hierbas y tiras de carne. Se requieren accesorios para rejillas.
CALENTAMIENTO	180°F (80°C)	140 a 200°F (60 a 95°C)	•	Diseñado para mantener los alimentos a la temperatura para servirse.

Sonda de temperatura

La sonda de temperatura mide la temperatura interna de los alimentos durante la cocción. Se puede utilizar con todos los modos de cocción excepto los de asado, fermentación y deshidratar.

Ajuste de los controles:

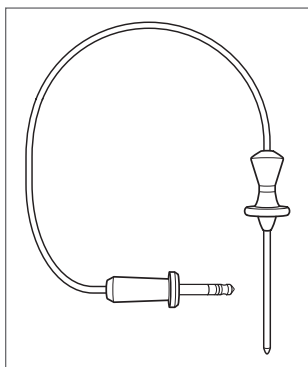
- 1 Precaliente el horno a la temperatura deseada del horno en el modo deseado (modo hornear o piedra para panes).
- 2 Inserte la sonda en la parte más gruesa de los alimentos. Al hacer pan, cocine aproximadamente 10 minutos antes de insertar la sonda.
- 3 Cuando se complete el precalentamiento, inserte la sonda dentro del recipiente de la sonda. Consulte la siguiente ilustración. Cierre la puerta del horno.
- 4 Pulse Probe (sonda).
- 5 Pulse Set (fijar) para seleccionar prefijar temperatura. Para cambiar la temperatura, pulse o utilice la barra deslizante para seleccionar la temperatura deseada, y después pulse Set (fijar).
- 6 Una señal sonora indica que la temperatura interna ha alcanzado el punto establecido de la sonda. Retire y reinserte la sonda para verificar la temperatura interna, y entonces seleccione Ok u Off (apagar).

⚠ PRECAUCIÓN

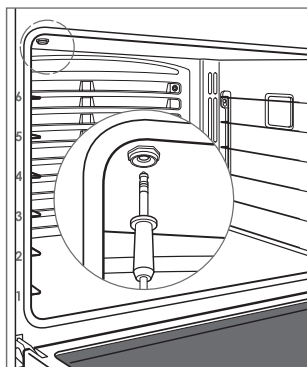
Tire hacia abajo cuando retire la sonda del receptáculo. Doblar o tirar de la sonda en ángulo durante la extracción puede dañar la sonda y el horno. No coloque una rejilla o accesorio en la posición seis de la rejilla cuando utilice la sonda, ya que interfiere con la extracción de la sonda.

⚠ PRECAUCIÓN

La sonda y el recipiente de la sonda estarán muy calientes. Manipule con cuidado.



Sonda de temperatura



Receptáculo de la sonda

Programa automático

COCCIÓN CRONOMETRADA

La cocción cronometrada apaga automáticamente el horno a una hora específica. El horno empezará a calentar inmediatamente y se apagará a la hora que usted desee que se apague. Si se requiere precalentamiento, el tiempo del mismo debe registrarse al determinar la duración de la cocción. El reloj debe estar configurado con la hora correcta para que el inicio automático funcione correctamente. Utilice cualquier modo de cocción excepto el de asado, Gourmet o piedra para hornear. La sonda de temperatura no se puede utilizar durante cocción cronometrada.

Ajuste de los controles:

- 1 Pulse Quick Start (inicio rápido), luego seleccione el modo de cocción y la temperatura deseados. Para el modelo profesional, gire las perillass al modo deseado y temperatura.
- 2 Pulse Timed Cook (cocción cronometrada), luego seleccione la duración de cocción deseada.
- 3 Pulse Start (iniciar).
- 4 Para cancelar, pulse la duración parpadeante/el tiempo de parada en la pantalla táctil.
- 5 El horno se apaga automáticamente cuando se completa el tiempo de cocción.
- 6 Pulse Off (apagar) para borrar.

INICIO RETARDADO

El inicio retardado enciende y apaga el horno automáticamente a una hora específica. El horno permanecerá inactivo hasta la hora de inicio deseada y se apagará a la hora que usted desee que se apague. Si se requiere precalentamiento, el tiempo del mismo debe registrarse al determinar la duración de la cocción. El reloj debe estar configurado con la hora correcta para que el inicio automático funcione correctamente. Utilice cualquier modo de cocción excepto el de asado, Gourmet o piedra para hornear. La sonda de temperatura no se puede utilizar durante inicio retardado.

Ajuste de los controles:

- 1 Pulse Quick Start (inicio rápido), luego seleccione el modo de cocción y la temperatura deseados. Para el modelo profesional, gire las perillass al modo deseado y temperatura.
- 2 Pulse Timed Cook (cocción cronometrada), luego seleccione la duración de cocción deseada.
- 3 Use la pantalla táctil para seleccionar la hora de finalización deseada, luego pulse Start (iniciar).
- 4 Para cancelar, pulse la duración parpadeante/el tiempo de parada en la pantalla táctil.
- 5 El horno se apaga automáticamente cuando se completa el tiempo de cocción.
- 6 Pulse Off (apagar) para borrar.

Sabbath

Este electrodoméstico lleva el certificado Star-K que indica que cumple con estrictas normas religiosas junto con instrucciones específicas que aparecen en www.star-k.org.

Los modos asar, hornear, fermentar y de calentamiento pueden usarse en Sabbath.

Ajuste de los controles:

- 1 Encienda o apague la luz del horno.
- 2 Pulse Settings (configuración), luego seleccione Sabbath Mode (modo sabbath).
- 3 Pulse On (activado) y, a continuación, luego pulse Start (iniciar).
- 4 Seleccione el modo de cocción y la temperatura, luego pulse Start (iniciar).
- 5 Después de diez segundos, la unidad entra en Sabbath.
- 6 Para cambiar la temperatura del horno mientras está en Sabbath, use la pantalla táctil para seleccionar la temperatura deseada, luego pulse Start (inicio). La temperatura cambia aleatoriamente después de seleccionar la nueva temperatura.
- 7 Pulse Off (apagar) para finalizar el modo. El icono del Sabbath desaparece después de diez segundos.

Limpieza

⚠ PRECAUCIÓN

Durante la autolimpieza las superficies externas pueden alcanzar una temperatura más alta de lo normal. Debe mantener a los niños alejados.

Durante la autolimpieza, el horno alcanza una temperatura extremadamente alta para quemar los residuos de los alimentos. Se desactivan las luces del horno. Pour les fours doubles, l'autre four ne peut pas être utilisé pendant le nettoyage.

La porcelana está hecha de productos naturales y, por tanto, puede quebrarse o desarrollar finas líneas y grietas debido a la expansión y contracción que ocurre al fluctuar la temperatura del horno (especialmente cuando se usa la función de autolimpieza). Esto puede resultar en imperfecciones cosméticas, tales como una apariencia turbia, opaca o rasguñada. Las imperfecciones cosméticas pueden ser más visibles en una cavidad de horno con color.

NOTA IMPORTANTE: Para hornos dobles, el otro horno no se puede usar durante la limpieza.

Ajuste de los controles:


- 1 Encienda la ventilación. Es normal algo de humo y olor.
- 2 Pulse Quick Start (inicio rápido), luego pulse Clean (limpiar). Para el modelo profesional, gire la perilla a Más, luego pulse Clean (limpiar) en la pantalla táctil.
- 3 Pulse Start (iniciar), luego abra la puerta del horno.
- 4 Retire las rejillas del horno y las guías de las rejillas, luego cierre la puerta.
- 5 Pulse Ok (aceptar).
- 6 La puerta del horno se bloquea y permanece bloqueada hasta que se completa la limpieza y la temperatura del horno es inferior a 550°F (290°C).
- 7 Pulse Off (apagar) para borrar. Para el modelo profesional, gire la perilla a la posición de apagado.

LIMPIEZA RETARDADA

Ajuste de los controles:

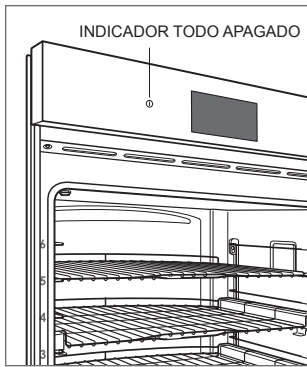
- 1 Encienda la ventilación. Es normal algo de humo y olor.
- 2 Pulse Quick Start (inicio rápido), luego pulse Clean (limpiar). Para el modelo profesional, gire la perilla a Más, luego pulse Clean (limpiar) en la pantalla táctil.
- 3 Pulse Delayed Clean (limpieza retardada) y use la pantalla táctil para seleccionar la hora de inicio deseada, luego pulse Start (iniciar).
- 4 Retire las rejillas del horno y las guías de las rejillas, luego cierre la puerta.
- 5 Pulse Ok (aceptar).
- 6 La puerta del horno se bloquea y permanece bloqueada hasta que se completa la limpieza y la temperatura del horno es inferior a 550°F (290°C).
- 7 Pulse Off (apagar) para borrar. Para el modelo profesional, gire la perilla a la posición de apagado.

Todo apagado

All Off apaga todos los hornos activos. Toque  para apagar el (los) horno(s).

Para los modelos de vidrio negro de transición y contemporáneos, el indicador solo aparece durante la limpieza.

El indicador no aparece en los modelos Professional. Para apagar el (los) horno(s), gire la(s) perilla(s) a la posición de apagado.



Todo apagado

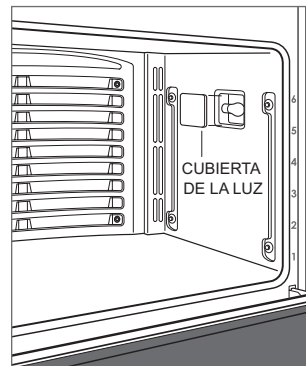
Luz del horno

ADVERTENCIA

Compruebe que la energía esté desconectada de la caja eléctrica antes de reemplazar un foco.

Deje que el horno enfíe por completo, luego retire las rejillas del horno y las guías de las rejillas. Para retirar la cubierta de la luz, haga palanca suavemente en el borde inferior con un destornillador plano. Retire el foco existente y reemplácelo con un foco de halógeno de 40 vatios. Consulte la siguiente ilustración.

Para reemplazar el foco ubicado en la parte superior de la cavidad del horno, póngase en contacto con el servicio certificado de fábrica de Wolf. Para obtener los datos del centro de servicio autorizado de Wolf más cercano, eche un vistazo a la sección de Soporte y Servicio técnico en nuestro sitio web, wolfappliance.com o llame a la línea de atención al cliente de Wolf al 800-222-7820.



Reemplazo del foco

Guía de cocina de Wolf

ALIMENTOS	REJILLA(S)	MODO	TEMP HORNO	POSICIÓN	HORA	NOTAS
PANES						
Bisquets	1	Rostizar	400 °F (205 °C)	3	5-10 min	
	2	Convección	425 °F (220 °C)	2, 5	5-10 min	
	3	Convección	425 °F (220 °C)	1, 3, 5	5-10 min	
Pancitos dulce de canela	1	Hornear	350 °F (175 °C)	3	20-25 min	
	2	Convección	325 °F (165 °C)	2, 5	20-25 min	
	3	Convección	325 °F (165 °C)	1, 3, 5	20-25 min	
Pan de ajo	1	Asar	Medio	5		
Muffins	1	Hornear	400 °F (205 °C)	3	15-20 min	
	2	Convección	375 °F (190 °C)	2, 5	10-15 min	
	3	Convección	375 °F (190 °C)	1, 3, 5	10-15 min	
Panes rápidos	1	Hornear	350 °F (175 °C)	3	40-50 min	
Pan tostado	1	Asar	Alta	5		
Pan de levadura (pan de molde)	1	Hornear	350 °F (175 °C)	3	20-45 min	
Pan de levadura (sin charola)	1	Piedra	450 °F (230 °C)	1	15-45 min	
Pancitos de levadura	1	Convección	375 °F (190 °C)	3	10-20 min	
	2	Convección	375 °F (190 °C)	2, 5	10-20 min	
	3	Convección	375 °F (190 °C)	1, 3, 5	10-20 min	
PASTELES						
Pan de ángel	1	Hornear	350 °F (175 °C)	1	35-45 min	
Tarta o budín	1	Hornear	350 °F (175 °C)	3	40-50 min	
Pastelitos	1	Hornear	350 °F (175 °C)	3	20-25 min	
	2	Convección	325 °F (165 °C)	2, 5	15-25 min	
	3	Convección	325 °F (165 °C)	1, 3, 5	15-25 min	
Mezclas o desde inicio	1	Hornear	350 °F (175 °C)	3	20-30 min	
	2	Convección	325 °F (165 °C)	2, 5	20-30 min	
	3	Convección	325 °F (165 °C)	1, 3, 5	20-30 min	
GALLETAS						
Galletas o barras	1	Hornear	350 °F (175 °C)	3	10-25 min	
	2	Convección	325 °F (165 °C)	2, 5	10-25 min	
	3	Convección	325 °F (165 °C)	1, 3, 5	10-25 min	
PAYS						
Hojaldres con crema	1	Convección	400 °F (205 °C)	3	20-30 min	
De 2 costras o recubierto	1	Hornear	375 °F (190 °C)	3	40-45 min	
Merengue de limón	1	Asar	Baja	3	10-15 min	
Costra de pay (vacía)	1	Hornear	425 °F (220 °C)	3	10-15 min	
Hojaldres	1	Hornear	400 °F (205 °C)	3	10-15 min	
	2	Convección	375 °F (190 °C)	2, 5	10-15 min	
	3	Convección	375 °F (190 °C)	1, 3, 5	10-15 min	
Calabaza o natillas	1	Hornear	425°F (220°C) / 325°F (165°C)	3	vea nota	Hornee durante 15 min a 425°F, reduzca la temperatura a 325°F y hornee hasta que el pay esté listo, de 45 a 60 min.

El consumo de carnes, aves, mariscos, ostras o huevos crudos o sin buena cocción, puede aumentar su riesgo de enfermedades derivadas de los alimentos.

Guía de cocina de Wolf

ALIMENTOS	MODO	TEMP HORNO	REJILLA	HORA	TEMP SONDA	NOTAS
RES						
Agujas	Rostiz Conv	325 °F (165 °C)	3	20–25 min/lb	Med 150°F (65°C)	Coloque en el plato, con líquido a ½ de la altura de la carne.
	Rostizar	350 °F (175 °C)	3	20–25 min/lb	Med 150°F (65°C)	
Hamburguesas de carne molida	Asar	Alta	5	10-15 min		Voltear a los 7 min.
Costilla	Rostizar	450°F (230°C) / 225°F (105°C)	2	vea nota	Ligeramente cocida 130°F (55°C)	No es necesario precalentar. Rostice durante 30 min a 450°F, reduzca la temperatura a 225°F y cueza a la temperatura interna deseada.
Rostizado	Rostizar	425°F (220°C) / 325°F (165°C)	2	vea nota	Ligeramente cocida 135°F (60°C)	Rostice durante 30 min a 425°F, reduzca la temperatura a 325°F y cueza a la temperatura interna deseada.
Rostizado lento	Hornear	300 °F (150 °C)	2			Coloque en un plato cubierto, con líquido a ¼ de la altura de la carne.
Bistecs (de menos de 1" de grueso)	Asar	Alta	5	10-15 min		Voltear a los 6 min.
Bistecs (de más de 1" de grueso)	Asar	Alta	5	10-20 min		Voltear a los 8 min.
Lomo	Rostiz Conv	450 °F (230 °C)	3	10–20 min/lb	Ligeramente cocida 130°F (55°C)	
AVES						
Pollo con hueso	Rostiz Conv	325 °F (165 °C)	5	20-25 min	Muslo 180°F (80°C)	
Pechuga de pollo deshuesada	Asar	Medio	5	10-15 min		Voltear a la mitad del tiempo de asado.
(aplanada a ½" de grueso)	Rostiz Conv	350 °F (175 °C)	3	15-20 min	Pechuga 165°F (75°C)	
Cuartos de pollo, muslos	Asar	Medio	5	20-25 min		Voltear a la mitad del tiempo de asado.
	Rostizar	350 °F (175 °C)	3	30-40 min	Muslo 180°F (80°C)	
	Rostiz Conv	325 °F (165 °C)	3	30-40 min	Muslo 180°F (80°C)	
	Hornear	350 °F (175 °C)	3	30-40 min	Muslo 180°F (80°C)	
Pollo entero	Rostiz Conv	325 °F (165 °C)	2	10–20 min/lb	Muslo 180°F (80°C)	
Codorniz	Rostiz Conv	325 °F (165 °C)	3	1 hora	Muslo 180°F (80°C)	
	Rostizar	350 °F (175 °C)	3	1 hora	Muslo 180°F (80°C)	
Pato	Rostiz Conv	325 °F (165 °C)	2	15–20 min/lb	Muslo 180°F (80°C)	
Ganso	Rostiz Conv	325 °F (165 °C)	2	15–20 min/lb	Muslo 180°F (80°C)	
Pechuga de pavo entera	Rostiz Conv	325 °F (165 °C)	2	15–20 min/lb	Pechuga 165°F (75°C)	
	Rostizar	350 °F (175 °C)	2	15–20 min/lb	Pechuga 165°F (75°C)	
Piezas de pavo	Rostiz Conv	325 °F (165 °C)	3	30-40 min	Muslo 180°F (80°C)	
	Rostizar	350 °F (175 °C)	3	30-40 min	Muslo 180°F (80°C)	
Pavo entero (en salmuera)	Hornear	350 °F (175 °C)	1	10–15 min/lb	Muslo 180°F (80°C)	
Pavo entero	Rostiz Conv	325 °F (165 °C)	1	10–15 min/lb	Muslo 180°F (80°C)	
	Rostizar	325 °F (165 °C)	1	10–15 min/lb	Muslo 180°F (80°C)	

El consumo de carnes, aves, mariscos, ostras o huevos crudos o sin buena cocción, puede aumentar su riesgo de enfermedades derivadas de los alimentos.

Guía de cocina de Wolf

ALIMENTOS	MODO	TEMP HORNO	REJILLA	HORA	TEMP Sonda	NOTAS
CERDO						
Chuletas, bistecs (½" de grueso)	Asar	Alta	5	5-10 min		Voltear a la mitad del tiempo de asado.
	Rostiz Conv	350 °F (175 °C)	3	10-15 min		
Bistec de jamón (de menos de 1" de grueso)	Asar	Alta	5	5-10 min		Voltear a la mitad del tiempo de asado.
Bistec de jamón (de más de 1" de grueso)	Asar	Alta	5	10-15 min		Voltear a la mitad del tiempo de asado.
Jamón entero	Hornear	335 °F (170 °C)	2	10-15 min/lb	160 °F (70 °C)	Cubra y deje reposar durante 15 min.
Costillas	Hornear	300 °F (150 °C)	3			Coloque en paquetes con papel aluminio o en un plato cubierto, con líquido a ¼ de la altura de la carne.
Rostizado lento	Hornear	300 °F (150 °C)	2			Coloque en un plato cubierto, con líquido a ¼ de la altura de la carne.
Lomo	Rostiz Conv	400 °F (205 °C)	3	15-20 min/lb	Ligeramente cocida 130°F (55°C)	
CORDERO						
Chuletas, bistecs (¾" de grueso)	Asar	Alta	5	5-10 min		Voltear a la mitad del tiempo de asado.
Coronilla	Rostiz Conv	325 °F (165 °C)	2	15-20 min/lb	145 °F (65 °C)	
Pierna	Rostiz Conv	425°F (220°C) / 325°F (165°C)	2	vea nota	145 °F (65 °C)	Rostice durante 30 min a 425°F, reduzca la temperatura a 325°F y cueza a la temperatura interna deseada.
Rostizado de ternera	Rostiz Conv	300 °F (150 °C)	2	30-35 min/lb	140 °F (60 °C)	
PESCADO						
Filete (de menos de 1" de grueso)	Asar	Medio	5	10-20 min		
Filete (de más de 1" de grueso)	Rostiz Conv	375 °F (190 °C)	5	15-25 min		
PIZZA						
Calzone	Piedra	375 °F (190 °C)	1	10-15 min		
Pizza de pan francés	Asar	Medio	5	10-15 min		
Pizza casera	Piedra	450 °F (230 °C)	1	5-15 min		
VERDURAS						
Verduras mixtas	Rostiz Conv	400 °F (205 °C)	4	10-20 min		
Papas, camotes	Hornear	350 °F (175 °C)	3	45-60 min		
OTROS						
Pastel de carne	Rostizar	425°F (220°C) / 325°F (165°C)	2	vea nota	165 °F (75 °C)	Rostice durante 20 min a 425°F, reduzca la temperatura a 325°F y cueza a la temperatura interna deseada.
Nachos	Asar	Baja	3	15-20 min		
Comidas de un platillo	Hornear	350 °F (175 °C)	3	45-60 min	175 °F (80 °C)	
Quiche	Hornear	350 °F (175 °C)	3	40-50 min		
Salchicha, bratwurst (fresca)	Asar	Medio	5	10-15 min		Voltear a la mitad del tiempo de asado.

El consumo de carnes, aves, mariscos, ostras o huevos crudos o sin buena cocción, puede aumentar su riesgo de enfermedades derivadas de los alimentos.

Recomendaciones sobre el cuidado

LIMPIEZA

Acero inoxidable	Use un limpiador no abrasivo para acero inoxidable y aplique con un paño suave sin pelusa. Para resaltar el lustre natural, limpie suavemente la superficie con una tela de microfibra humedecida con agua, seguida con una gamuza para pulir en seco. Siempre siga la dirección del acabado del acero inoxidable.
Cristal negro	Rocíe líquido limpiador de cristales en un paño para limpiar.
Rejillas del horno y guías de las rejillas	Retire y coloque sobre una superficie plana cerca del fregadero. Límpielas con agua caliente y un detergente suave o con pasta de bicarbonato de sodio y agua. No las sumerja en agua. Seque con una toalla.
Panel de control	Utilice desengrasante en aerosol para retirar las marcas de los dedos y los residuos de alimentos. Rocíe el producto en un paño antes de limpiar el panel. AVISO IMPORTANTE: No aplique o rocíe los limpiadores directamente sobre la pantalla táctil.
Interior del horno	AVISO IMPORTANTE: Retire todos los derrames de alimentos (especialmente salsas azucaradas, ácidas y a base de tomate) cuando el interior del horno sea seguro para tocar. Algunas imperfecciones son permanentes, pero no afectan la función de la porcelana. Antes de activar la función de autolimpieza, retire suavemente con un cuchillo los restos de alimentos adheridos a la cavidad y la puerta del horno. Para eliminar manchas difíciles, aplique un limpiador ligeramente abrasivo o desengrasante en aerosol y frótelos con una esponja Scotch-Brite™ cero rayones (rosa o azul). Lave la cavidad del horno con agua y jabón para eliminar todos los productos químicos de limpieza antes de activar el modo de autolimpieza. Si no se retiran los residuos de la cavidad, es posible que la porcelana se desgaste por corrosión. Una vez que el ciclo de autolimpieza haya terminado, deje enfriar el horno por completo y limpie la ceniza con un paño húmedo.
Parrilla para asar	Para limpiar la rejilla superior, utilice detergente suave y un estropajo. Enjuague y seque. Para limpiar la parrilla inferior, deseche la grasa y lave con agua caliente y detergente suave. Enjuague y seque. La rejilla superior puede lavarse en lavavajillas, sin embargo, no coloque la parrilla cubierta de porcelana en el lavavajillas.

Resolución de problemas

OPERACIÓN

El horno no funciona.

- Compruebe que esté encendido.
- Compruebe que la alimentación eléctrica a la unidad y el interruptor de circuito de la casa estén encendidos.

Problema con la temperatura del horno.

- Póngase en contacto con la línea de atención al cliente de Wolf al 800-222-7820 para obtener recomendaciones.

El panel táctil de la pantalla táctil no responde.

- Unidad en modo Sabbath (★ mostrado en la pantalla táctil), consulte la página 15.
- Apague el interruptor de circuito durante 20 segundos, después vuelva a encenderlo.

En la pantalla táctil se visualiza "Probe Shorted" (sonda en corto circuito)

- Pulse Off (apagar). Compruebe que el conector de la sonda está bien asentado en el recipiente. Restablezca la temperatura del horno y la temperatura de la sonda.

Se muestra mensaje de error durante el ciclo de autolimpieza.

- Para el caso de hornos dobles, si un horno está activo en un ciclo de autolimpieza, el otro horno no puede usarse.

El horno hace "pop" o "bang" durante el precalentamiento o el enfriamiento.

- Eso es normal debido a la expansión y contracción de la nueva cavidad del horno.
- Ejecute un ciclo de autolimpieza. Si el problema persiste, póngase en contacto con atención al cliente de Wolf al 800-222-7820.

SERVICIO

- Para mantener la calidad incorporada en su producto, póngase en contacto con el servicio certificado de fábrica de Wolf. Para conocer los datos del centro de servicio certificado de fábrica de Wolf más cercano, consulte la sección de Soporte de productos de nuestro sitio web, wolfappliance.com o bien, llame a la línea de atención al cliente de Wolf al 800-222-7820.
- Al comunicarse con el servicio, necesitará el modelo y número de serie de su producto. Los dos números también aparecen en la placa de datos del producto. Consulte la página 6 para encontrar la placa de datos.
- Para fines de la garantía, usted también necesitará la fecha de instalación y el nombre de su distribuidor autorizado de Wolf. Esta información debe estar registrada en la página 3 de este manual.

Garantía limitada residencial de Wolf Appliance

PARA USO RESIDENCIAL

GARANTÍA COMPLETA DE DOS AÑOS*

Durante dos años a partir de la fecha de la instalación original, la garantía de su producto Wolf Appliance cubre todas las partes y mano de obra para reparar o reemplazar, bajo el uso residencial normal, cualquier parte del producto que se compruebe estar defectuosa en material o mano de obra. Todos los servicios proporcionados por Wolf Appliance bajo la garantía anterior deben ser ejecutados por servicios certificados de fábrica de Wolf, a menos que Wolf Appliance, Inc. lo especifique de otra manera. El Servicio será proporcionado durante el horario comercial normal.

GARANTÍA LIMITADA DE CINCO AÑOS

Por cinco años a partir de la fecha de la instalación original, Wolf Appliance reparará o reemplazará los siguientes componentes que se comprueben estar defectuosos en material o mano de obra: quemadores de gas (excluyendo la apariencia), elementos eléctricos de calentamiento, motores de sopladores (campanas de ventilación), módulos de control eléctrico, tubos magnetrón y generadores de inducción. Si el propietario utiliza el servicio certificado de fábrica de Wolf, el prestador del servicio reparará o reemplazará estas partes mediante el pago de todos los otros costos, incluyendo mano de obra, a cargo del propietario. Si el propietario utiliza un servicio no certificado, debe ponerse en contacto con Wolf Appliance, Inc. (utilizando la información anotada más adelante) para recibir los componentes reparados o de reemplazo. Wolf Appliance no reembolsará al propietario los importes correspondientes a componentes comprados a un servicio no certificado o a otras fuentes.

TÉRMINOS APLICABLES A CADA GARANTÍA

La garantía se aplica solamente a los productos instalados para uso residencial normal. La garantía se aplica solamente a los productos instalados en cualquiera de los cincuenta estados de los Estados Unidos, el Distrito de Columbia o las diez provincias de Canadá. Esta garantía no cubre las partes o mano de obra para corregir cualquier defecto causado por negligencia, accidente o uso, mantenimiento, instalación, servicio o reparación inadecuados.

LOS RECURSOS DESCRITOS ANTERIORMENTE PARA CADA GARANTÍA SON LOS ÚNICOS QUE WOLF APPLIANCE, INC. PROPORCIONARÁ, YA SEA BAJO ESTA GARANTÍA O BAJO CUALQUIER GARANTÍA QUE RESULTE DE LA APLICACIÓN DE LA LEY. WOLF APPLIANCE, INC. NO SE HACE RESPONSABLE POR LOS DAÑOS INDIRECTOS O INCIDENTALES DERIVADOS DE LA VIOLACIÓN DE ESTA GARANTÍA O CUALQUIER OTRA GARANTÍA, YA SEA EXPRESA, IMPLÍCITA O LEGAL.

Algunos estados no permiten la exclusión o limitación de daños incidentales o consecuentes, por lo tanto la limitación o exclusión anterior podrían no aplicarse en su caso. Esta garantía le otorga derechos legales específicos, y usted también puede tener otros derechos legales que varían entre estados.

Para recibir las partes o el servicio y el nombre del servicio certificado de fábrica de Wolf más cercano a usted, póngase en contacto con Wolf Appliance, Inc., P.O. Box 44848, Madison, WI 53744; Verifique la sección de Soporte de productos de nuestro sitio web, wolfappliance.com, envíenos un correo electrónico a customerservice@subzero.com o llame al 800-222-7820.

*Las puertas, paneles, manijas, estructuras de acero inoxidable y superficies internas están cubiertas por una garantía limitada de 60 días sobre piezas y mano de obra, por defectos cosméticos.

*Los filtros de repuesto para los kits de circulación de la campana de ventilación no están cubiertos por la garantía del producto.



Table des matières

4	Précautions de sécurité
6	Caractéristiques du four de la série M
7	Fonctionnement du four
18	Guide de cuisson
21	Conseils d'entretien
22	Dépannage
23	Garantie de Wolf

Service à la clientèle

Le numéro de modèle et le numéro de série sont imprimés sur la fiche d'enregistrement du produit ci-jointe. Les deux numéros sont aussi indiqués sur la plaque signalétique du produit. Reportez-vous à la page 6 pour connaître l'emplacement de la plaque signalétique. Pour les besoins de la garantie, vous devrez aussi avoir la date d'installation et le nom de votre dépositaire Wolf autorisé. Inscrivez ces renseignements ci-dessous pour consultation ultérieure.

RENSEIGNEMENTS SUR LE SERVICE

Numéro de modèle

Numéro de série

Date de l'installation

Nom du service certifié

Numéro du service certifié

Dépositaire autorisé

Numéro du dépositaire

Si votre produit a besoin d'être réparé, assurez-vous d'utiliser un fournisseur de service certifié par l'usine Wolf recommandé par notre centre de service à la clientèle, ou sélectionnez-en un parmi la liste de fournisseurs disponibles à wolfappliance.com/locator. Tous les fournisseurs de service certifiés par l'usine sont soigneusement sélectionnés et rigoureusement formés par nous.

Remarque importante

Pour s'assurer que ce produit est installé et utilisé en toute sécurité et aussi efficacement que possible, prenez note des types de renseignement mis en évidence tout au long de ce guide :

REMARQUE IMPORTANTE met en évidence des renseignements qui sont particulièrement importants.

⚠ MISE EN GARDE

Indique une situation où une blessure mineure ou des dommages au produit peuvent se produire si les directives ne sont pas respectées.

⚠ AVERTISSEMENT

Décrit un danger qui peut causer une blessure grave ou la mort si les précautions ne sont pas respectées.

REMARQUE IMPORTANTE : Tout au long de ce guide, les dimensions entre parenthèses sont en millimètres à moins d'indication contraire.

DIRECTIVES IMPORTANTES

PRÉCAUTIONS DE SÉCURITÉ GÉNÉRALE

- Lisez ce guide attentivement avant d'utiliser cet appareil afin de réduire le risque d'incendie, de choc électrique ou de blessures.
- Cet appareil doit être correctement installé et réparé par un installateur qualifié ou une agence de service et mis à la terre par un technicien qualifié.
- Nettoyez seulement les pièces indiquées dans ce guide.
- N'utilisez pas de nettoyeurs pour le four. Aucun nettoyeur pour le four commercial ni aucun revêtement protecteur de toute sorte ne doivent être utilisés dans ou autour des pièces du four.
- Ne touchez pas aux éléments chauffants ou aux surfaces intérieures du four. Les éléments chauffants peuvent être chauds même s'ils sont de couleur foncée. Les surfaces intérieures deviennent assez chaudes pour causer des brûlures. Pendant et après l'utilisation, ne touchez pas et ne laissez pas les vêtements ou d'autres matériaux inflammables entrer en contact avec les éléments chauffants ou les surfaces intérieures du four avant qu'ils n'aient eu suffisamment de temps pour se refroidir.
- Faites attention lorsque vous ouvrez la porte du four. Laissez l'air chaud ou la vapeur s'échapper avant de regarder ou de mettre les bras dans le four.
- Assurez-vous que l'admission d'air frais du four (située au-dessus de la porte) et le conduit de sortie du four (situé sous la porte) soient dégagés en tout temps.
- Utilisez toujours des poignées sèches pour retirer les casseroles de cet appareil. Des poignées mouillées ou humides peuvent causer des brûlures de vapeur. N'utilisez pas une serviette ou un chiffon épais au lieu de poignées.
- Placez les grilles du four aux endroits désirés lorsque le four est froid. Si une grille doit être déplacée et que le four est déjà chaud, assurez-vous que les poignées n'entrent pas en contact avec l'élément chauffant chaud du four.
- Ne réparez pas et ne remplacez pas toute pièce de cet appareil à moins que cela ne soit spécifiquement recommandé dans la documentation accompagnant l'appareil.
- N'utilisez pas du papier en aluminium pour couvrir toute partie de cet appareil.
- N'utilisez jamais cet appareil pour réchauffer ou chauffer la pièce.
- Ne laissez pas des enfants seuls ou sans surveillance dans la zone où cet appareil est utilisé. Ne laissez jamais des enfants s'asseoir ou se tenir debout sur l'appareil.
- Ne rangez pas des articles intéressants pour les enfants au-dessus ou à l'arrière de cet appareil puisqu'ils pourraient grimper sur l'appareil pour les atteindre et se blesser.

▲ MISE EN GARDE

Avant d'utiliser la fonction autonettoyage, retirez la lèchefrite, les grilles du four, les guides de grille et tout autre ustensile.

DIRECTIVES IMPORTANTES

PRÉCAUTIONS DE SÉCURITÉ GÉNÉRALE

- N'utilisez pas de l'eau sur des incendies de graisse. Éteignez la flamme ou utilisez un extincteur à poudre chimique ou à mousse.
- Ne chauffez pas des contenants d'aliment non ouverts comme les pots et les boîtes de nourriture pour bébé. L'accumulation de pression peut faire éclater le contenant et causer des blessures.
- Ne rangez pas et n'utilisez pas de l'essence ou d'autres vapeurs ou liquides inflammables à proximité de cet appareil ou de tout autre appareil.
- Ne nettoyez pas le joint du four; le frottement ou le déplacement du joint peuvent compromettre l'étanchéité de la porte.
- Portez des vêtements appropriés. Des vêtements lâches ou pendants ne doivent jamais être portés pendant que vous utilisez cet appareil.
- Pour les modèles contemporains, appuyez sur la partie supérieure milieu de la porte fermement à ouvrir. Pour fermer, tourner la porte vers le haut, puis appuyez fermement pour fermer. Reportez-vous à l'illustration ci-dessous.



Modèle contemporain

⚠ AVERTISSEMENT

PROPOSITION 65 POUR RESIDENTS DE LA CALIFORNIE

Cancer et Troubles de l'appareil reproducteur—
www.P65Warnings.ca.gov

Caractéristiques du four de la série M

Caractéristiques du four de la série M

CARACTÉRISTIQUES

- | | |
|---|--|
| 1 | Plaque signalétique du produit (four inférieur pour les fours doubles) |
| 2 | Grille du four réglable |
| 3 | Grilles du four à extension complète |
| 4 | Écran tactile |
| 5 | Boutons de commande (modèle professionnel) |
| 6 | Ventilateurs de convection |
| 7 | Prise de la sonde de température |
| 8 | Éclairage à l'halogène |

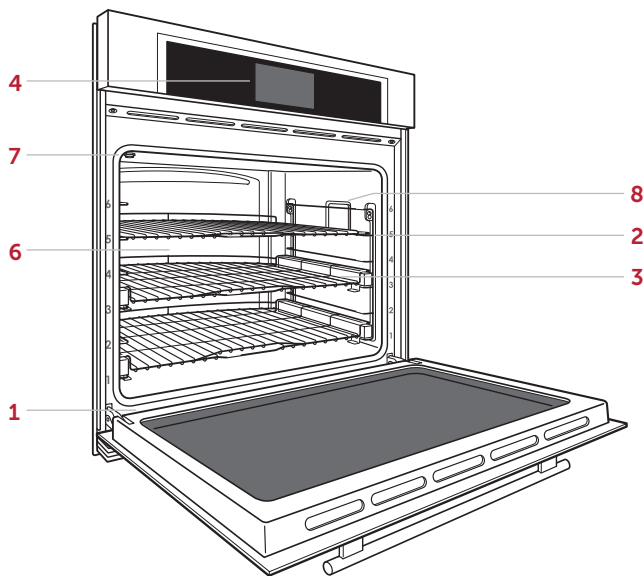
Comment commencer

Nous savons que vous êtes impatient de commencer à cuisiner, mais avant de le faire, veuillez prendre quelques instants pour lire ce guide d'utilisation et d'entretien. Que vous soyez un cuisinier occasionnel ou un chef expert, il vous sera bénéfique de vous familiariser avec les pratiques de sécurité, les fonctions, le fonctionnement et les recommandations d'entretien de votre four de la série M.

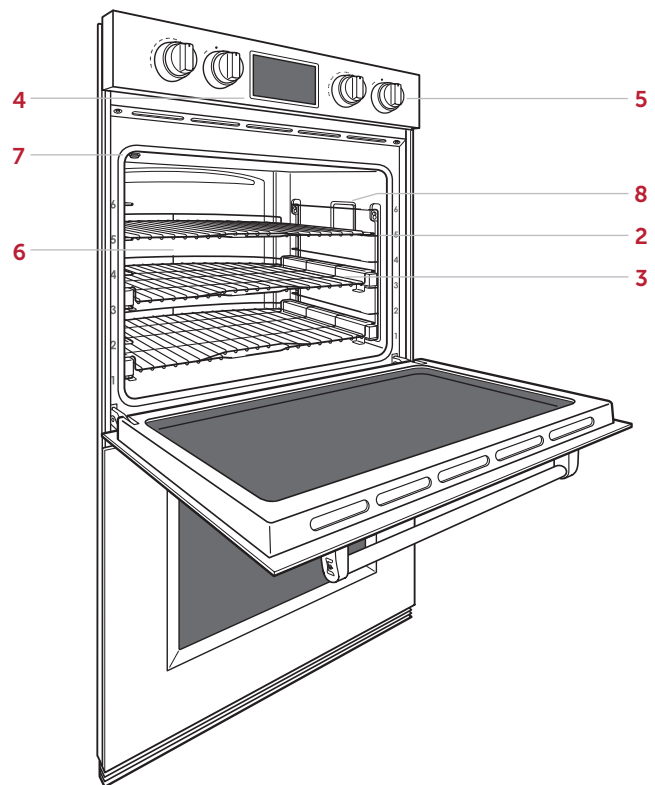
Pour obtenir les meilleurs résultats, examinez les modes de cuisson et les caractéristiques spéciales à la page 12.

⚠ MISE EN GARDE

Ne placez pas des casseroles dans le fond du four et n'utilisez pas du papier d'aluminium ou d'autres matériaux pour couvrir le fond ou les parois du four. Le non-respect de cet avis endommagera l'intérieur en porcelaine et annulera votre garantie.



Four simple de la série M—style transitionnel



Four double de la série M—style professionnel

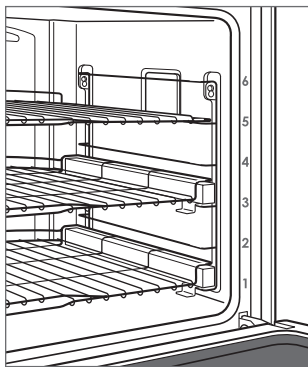
Grilles du four

POSITION DE LA GRILLE DU FOUR

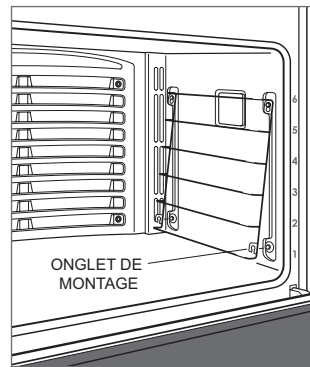
Les grilles du four peuvent être placées dans l'une des six positions indiquées sur la face avant du four. Reportez-vous à l'illustration ci-dessous.

GUIDES DE GRILLE DU FOUR

Pour insérer les guides de grille dans le four, repérez les vis de montage sur les parois latérales. Placez les onglets de montage du guide de grille sur les vis supérieures, pivotez vers l'intérieur et glissez vers le bas jusqu'à ce qu'il soit bien appuyé. Reportez-vous à l'illustration ci-dessous.



Position de la grille du four

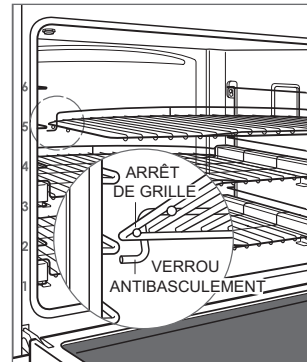


Guide de grille du four

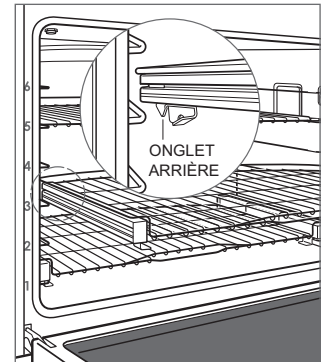
GRILLES DU FOUR

Pour insérer une grille standard dans le four, placez le verrou antibasculement de la grille sous les rails latéraux du guide de grille. Glissez la grille vers l'arrière et soulevez-la pour contourner les arrêts de grille. Continuez à glisser la grille vers l'arrière jusqu'à ce qu'elle soit complètement à l'intérieur du four. Reportez-vous à l'illustration ci-dessous.

Pour insérer une grille à extension complète, placez les deux onglets arrière sur le guide de grille (un onglet au-dessus et un onglet en-dessous). Reportez-vous à l'illustration ci-dessous. Inclinez la grille légèrement et glissez-la vers l'arrière jusqu'à ce que l'encoche de grille avant enclenche le guide de grille avant.



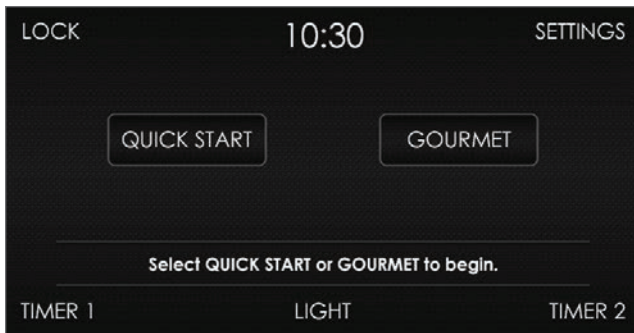
Verrouillage antibasculement de grille du four



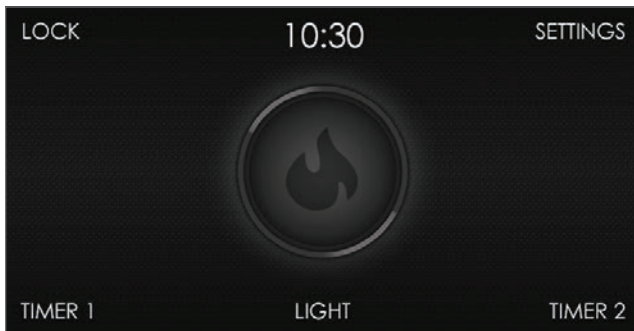
Grille à extension complète

Écran tactile

L'écran tactile utilise la technologie tactile pour les modes de cuisson et les autres fonctions. Reportez-vous aux illustrations ci-dessous. Pour les modèles professionnels, les modes de cuisson et les températures sont sélectionnés au moyen de boutons sélecteurs.



Écran d'accueil—four simple à style transitionnel et contemporain illustré



Écran d'accueil—four simple à style professionnel illustré

OPTIONS DE CUISSON

DÉPART RAPIDE

Touchez pour initier la cuisson, puis sélectionnez parmi les options sur l'écran tactile. Pour le modèle professionnel, tournez le bouton sélecteur jusqu'au mode désiré.

GAS-TRONOMIQUE

Touchez pour initier la préparation de repas gastronomiques, puis sélectionnez parmi les options sur l'écran tactile. Pour le modèle professionnel, tournez le bouton sélecteur jusqu'à Gourmet (gastronomique).

Fonctionnement du four

AVANT L'UTILISATION

Pour s'assurer que toute l'huile résiduelle du processus de fabrication ait été éliminée, chaque four doit subir la procédure suivante.

- 1 Nettoyez le four à fond avec de l'eau chaude et un détergent doux. Rincez et séchez avec un chiffon doux.
- 2 Mettez la ventilation en marche. Il est normal de voir de la fumée et de sentir une odeur.
- 3 Touchez ou tournez le bouton à Convection Roast (rôtissage par convection) et réglez la température à 500 °F (260 °C) pendant une heure.
- 4 Touchez à Off (arrêt) (tournez le bouton sur le modèle professionnel) et laissez le four se refroidir en gardant la porte fermée.

PRÉCHAUFFAGE

Durant le préchauffage, le four se chauffe aussi rapidement et uniformément que possible et il n'est pas à son meilleur pour la cuisson. Le préchauffage doit être utilisé pour tous les modes de cuisson, sauf grillage, réchauffer et certains modes gastronomiques. Une fois le préchauffage terminé, une sonnerie audible indique que le four a atteint la température de réglage.

HORLOGE

L'horloge est visible sur l'écran tactile pendant tous les modes de cuisson. Il est très important que l'horloge soit réglée à l'heure correcte si une fonction de cuisson minutée est utilisée. L'horloge doit être réinitialisée après une panne de courant.

L'horloge se règle automatiquement si l'appareil est connecté au Wi-Fi.

Réglage de l'horloge :


- 1 Touchez à Settings (réglages), puis sélectionnez Time (heure).
- 2 Touchez au mode de 12 Heures ou de 24 Heures.
- 3 Utilisez les glissières pour régler l'heure du jour, sélectionnez AM ou PM, puis touchez à Set (régler). Une sonnerie retentit indiquant que l'horloge a été réglée.

L'heure peut aussi être réglée en touchant à l'affichage de l'heure sur l'écran d'accueil.

MINUTERIE

Chaque minuterie peut être réglée pour une période maximale de 11 heures et 59 minutes. Une fois la durée réglée, le décompte s'illumine sur l'écran du panneau de commande. La minuterie est indépendante du four. Le réglage de la minuterie n'affecte pas la durée de cuisson ou l'heure d'arrêt.

Réglage de la minuterie :

- 1 Touchez à Timer 1 (minuterie 1) ou à Timer 2 (minuterie 2).
- 2 Utilisez la glissière pour régler la durée, puis touchez à Set (régler). Une sonnerie indique que la minuterie a été réglée.
- 3 Pour modifier la minuterie, touchez le compte à rebours sur l'écran, puis utilisez les barres de défilement pour régler la durée.
- 4 Pour annuler la minuterie, touchez le compte à rebours sur l'écran, puis touchez .
- 5 La minuterie retentira lorsqu'il ne restera qu'une minute. La minuterie retentit et clignote lorsque la durée est terminée.
- 6 Touchez à l'heure qui clignote pour annuler.

Options supplémentaires

Touchez à Settings (réglages) pour accéder aux options supplémentaires. Touchez ou utilisez la glissière pour sélectionner l'option désirée. Si vous avez besoin de renseignements supplémentaires, touchez à Info.

OPTIONS

Heure	Sélectionnez 12 heures ou 24 heures.
Sabbat	Activez ou désactivez le sabbat.
Horloge	Sélectionnez numérique, analogique, vierge ou logo.
Connect	Activez ou désactivez la connexion.*
Relier	Activez ou désactivez l'alimentation en veille.
Langue	Sélectionnez: anglais, espagnol, français, italien, allemand, néerlandais ou chinois.
Unités	°F/impérial ou °C/métrique.
Salle d'exposition	Pour une utilisation en salle d'exposition uniquement.
Info	Accédez à des conseils utiles et à des informations sur les produits.
À propos de	Pour le service uniquement.
Décalage de température	Pour le service uniquement.
Étalonnage	Ajustez l'étalonnage de l'affichage.
Son	Muet, 1-5 et haut, moyen, bas.
Luminosité	Ajustez la luminosité de l'écran: 0-100%.

*Pour vous connecter à l'application du propriétaire du groupe Sub-Zero, la connexion doit être activée.

Modes de cuisson

Le four possède dix modes de cuisson—cuisson, rôtissage, grillage, rôtissage par convection, convection, gastronomique, apprêt, pierre de cuisson, déshydratation et réchauffer. Les modes pierre de cuisson et déshydratation nécessitent des accessoires. Reportez-vous au tableau à la page 12.

RÉGLAGE DES COMMANDES

- 1 Touchez à Quick Start (démarrage rapide). Le four se met au mode Bake (cuisson) par défaut. Touchez ou utilisez la glissière pour sélectionner le mode de cuisson désiré. Pour le modèle professionnel, tournez le bouton sélecteur jusqu'au mode de cuisson désiré.
- 2 Touchez sur la température (Démarrer pour les modèles professionnels) pour sélectionner la température pré-réglée. Pour modifier la température, touchez ou utilisez la glissière pour sélectionner la température désirée, puis touchez la température ou attendez 5 secondes. L'appareil s'allume automatiquement si la température n'est pas touchée. Pour le modèle professionnel, tournez le bouton sélecteur pour régler la température.
- 3 Touchez à Off (arrêt) pour mettre fin au mode. Pour le modèle professionnel, tournez le bouton sélecteur à Off (arrêt).

Modes de cuisson

GASTRONOMIQUE

Le mode gastronomique fournit une variété de préparations de repas rapides et pratiques. Le mode gastronomique fournit aussi des recommandations pour la position idéale des grilles et des conseils pour vous permettre de cuisiner en toute confiance. Reportez-vous aux instructions sur l'écran tactile pour déterminer si un préchauffage est nécessaire.

Choisissez parmi six catégories—viande, poisson, produits de pâtisserie, pizza, légumes et repas dans un plat. Chaque catégorie peut être affinée pour obtenir le mode de cuisson et la position des grilles les plus efficaces pour créer un chef d'œuvre culinaire. Reportez-vous au guide gastronomique.

GUIDE GASTRONOMIQUE

VIANDE	Bœuf	steak, filet, rôti, côte de bœuf, pain de viande, rôti à feu doux
	Volaille	poulet entier, morceaux frais, poitrine complète
	Porc	côtes levées, filet, rôti, steak, côtelette, jambon entier
	Agneau	gigot, rôti, carré
POISSON	Steak	
	Filet	
	Pané	
PRODUITS DE PÂTISSERIE	Biscuits	
	Gâteau	en feuille, cannelé, aux anges, pound, petits gâteaux
	Tarte	croûte simple, croûte double
	Pain	pain éclair, pain à la levure, petits pains mollets à la levure, biscuits à la poudre levante
PIZZA	Fraîche	
	De blé	
	Calzone	
LÉGUMES	Rôtis	
	Patate douce	
	Pomme de terre au four	
REPAS DANS UN PLAT	Casserole	
	Lasagne	
	Quiches	

Modes de cuisson

MODE	PRÉRÉGLAGE	ÉTENDUE	SONDE	UTILISATIONS
CUISSON	350 °F (175 °C)	200–550 °F (95–290 °C)	•	Idéal pour la cuisson sur une seule grille, surtout pour les aliments de boulangerie. À utiliser pour les recettes standards.
RÔTISSAGE	350 °F (175 °C)	200–550 °F (95–290 °C)	•	Idéal pour le rôtissage de coupes moins tendres de viande, comme les rôtis de palette et la viande à ragoût, qui doivent être couvertes.
GRILLAGE	Élevée Moyenne Faible	550 °F (290 °C) 450 °F (230 °C) 350 °F (175 °C)		Convient au grillage des morceaux de viande, de poisson et de volaille jusqu'à 1 po d'épaisseur. Utilisez la lèchefrite à deux pièces et grillez toujours en gardant la porte du four fermée.
RÔTISSAGE PAR CONVECTION	325 °F (165 °C)	200–550 °F (95–290 °C)	•	Brunit légèrement l'extérieur et capte les jus à l'intérieur. Idéal pour rôtir des coupes tendres de bœuf, d'agneau, de porc et de volaille.
CONVECTION	325 °F (165 °C)	200–550 °F (95–290 °C)	•	Il est possible de cuire sur plusieurs grilles avec brunissage uniforme dans ce mode grâce au mouvement uniforme de l'air.
GASTRONOMIQUE	—	—	•	Le mode gastronomique fournit des préparations rapides et pratiques de repas avec des recommandations pour le mode de cuisson et la position de la grille. Reportez-vous à la page 11. La température pré réglée et l'étendue dépendent de l'aliment et du niveau de cuisson désirés.
APPRÊT	85 °F (30 °C)	85–110 °F (30–45 °C)		Idéal pour apprêter ou faire lever la pâte à pain.
PIERRE DE CUISSON	450 °F (230 °C)	200–550 °F (95–290 °C)	•	Cuisson sur une pierre en céramique. Idéale pour les pizzas et le pain. La pierre de cuisson est requise.
DÉSHYDRATATION	135 °F (60 °C)	110–170 °F (45–75 °C)		Sèche une variété de fruits, de légumes, d'herbes et de bandes de viande. Des grilles accessoires sont requises.
RÉCHAUFFER	180 °F (80 °C)	140–200 °F (60–95 °C)	•	Conçu pour garder les aliments à la température de service.

Sonde de température

La sonde de température mesure la température interne des aliments pendant la cuisson. Elle peut être utilisée avec tous les modes de cuisson, sauf grillage, apprêt et déshydratation.

Réglage des commandes :

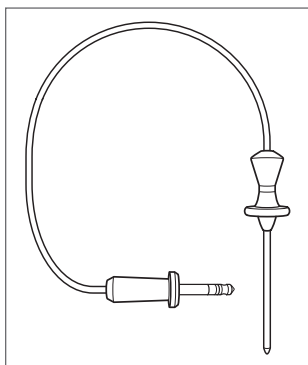
- 1 Préchauffez le four à la température de four désirée dans le mode choisi (cuisson ou pierre de cuisson pour le pain).
- 2 Insérez la sonde dans la zone la plus épaisse de l'aliment. Lorsque vous faites du pain, cuisez pendant environ 10 minutes avant d'insérer la sonde.
- 3 Lorsque le préchauffage est terminé, insérez la sonde dans la prise. Reportez-vous à l'illustration ci-dessous. Fermez la porte du four.
- 4 Touchez à Probe (sonde).
- 5 Touchez à Set (régler) pour sélectionner la température pré-réglée. Pour modifier la température, utilisez la glissière pour sélectionner la température désirée, puis touchez à Set (régler).
- 6 Une sonnerie retentit indiquant que la température interne a atteint le point de réglage de la sonde. Retirez et réinsérez la sonde pour vérifier la température interne, puis sélectionnez Ok ou Off (arrêt).

⚠ MISE EN GARDE

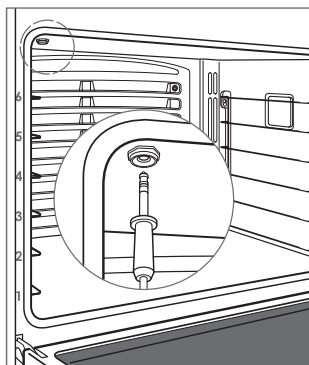
Tirez vers le bas lorsque vous retirez la sonde du réceptacle. Plier ou tirer la sonde à un angle pendant le retrait peut endommager la sonde et le four. Ne placez pas de rack ou d'accessoire en position de rack 6 lorsque vous utilisez la sonde, car cela interfère avec le retrait de la sonde.

⚠ MISE EN GARDE

La sonde et la prise de la sonde seront très chaudes. Manipulez-les avec soin.



Sonde de température



Prise de la sonde

Programmation automatique

CUISSON MINUTÉE

La cuisson minutée éteint automatiquement le four à une heure précisée. Le four commencera à chauffer immédiatement et s'éteindra à l'heure d'arrêt désirée. Si un préchauffage est requis, la durée du préchauffage doit être prise en compte pour déterminer la durée de la cuisson. L'horloge doit être réglée à la bonne heure pour que cette option fonctionne correctement. Utilisez cette fonction avec tout mode de cuisson sauf grillage, gastronomique ou pierre de cuisson. La sonde de température ne peut pas être utilisée pendant la cuisson minutée.

Réglage des commandes :

- 1 Touchez à Quick Start (démarrage rapide), puis sélectionnez le mode de cuisson et la température souhaités. Pour le modèle professionnel, tournez les boutons sur le mode souhaité et température.
- 2 Touchez à Timed Cook (cuisson minutée), puis sélectionnez la durée de la cuisson souhaitée.
- 3 Touchez à Start (marche).
- 4 Pour annuler, touchez la durée/l'heure d'arrêt qui clignote sur l'écran tactile.
- 5 Le four s'éteint automatiquement lorsque le temps de cuisson est terminé.
- 6 Touchez à Off (désactivé) pour effacer.

MARCHE DIFFÉRÉE

La mise en marche différée met automatiquement le four en marche et l'éteint à des heures précisées. Le four demeurera en attente jusqu'à l'heure de mise en marche et s'éteindra à l'heure d'arrêt désirée. Si un préchauffage est requis, la durée du préchauffage doit être prise en compte pour déterminer la durée de la cuisson. L'horloge doit être réglée à la bonne heure pour que cette option fonctionne correctement. Utilisez cette fonction avec tout mode de cuisson sauf grillage, gastronomique ou pierre de cuisson. La sonde de température ne peut pas être utilisée pendant la mise en marche différée.

Réglage des commandes :

- 1 Touchez à Quick Start (démarrage rapide), puis sélectionnez le mode de cuisson et la température souhaités. Pour le modèle professionnel, tournez les boutons sur le mode souhaité et température.
- 2 Touchez à Timed Cook (cuisson minutée), puis sélectionnez la durée de la cuisson souhaitée.
- 3 Utilisez l'écran tactile pour sélectionner l'heure d'arrêt souhaitée, puis touchez à Start (marche).
- 4 Pour annuler, touchez la durée/l'heure d'arrêt qui clignote sur l'écran tactile.
- 5 Le four s'éteint automatiquement lorsque le temps de cuisson est terminé.
- 6 Touchez à Off (désactivé) pour effacer.

Sabbat

Cet appareil est certifié par Star-K pour répondre à des règlements religieux rigoureux relativement à des directives précises se trouvant sur www.star-k.org.

Les modes rôtissage, cuisson, apprêt et réchauffer peuvent être utilisés en mode sabbat.

Réglage des commandes :

- 1 Allumez ou éteignez la lumière du four.
- 2 Touchez à Settings (réglages), puis sélectionnez sabbat.
- 3 Touchez à On (activé), puis touchez à Start (marche).
- 4 Sélectionnez le mode de cuisson et la température, puis touchez à Start (marche).
- 5 Après dix secondes, l'unité entre dans le sabbat.
- 6 Pour modifier la température du four pendant le sabbat, utilisez l'écran tactile pour sélectionner la température désirée, puis touchez à Start (démarrer). La température change au hasard après la sélection de la nouvelle température.
- 7 Touchez à Off (désactivé) pour mettre fin au mode. L'icône du sabbat disparaît après dix secondes.

Nettoyage

⚠ PRECAUCIÓN

Durante la autolimpieza las superficies externas pueden alcanzar una temperatura más alta de lo normal. Debe mantener a los niños alejados.

Durant le nettoyage, le four est chauffé jusqu'à une température extrêmement élevée pour brûler les restes d'aliments. Les lumières du four sont désactivées. Le nettoyage dure environ quatre heures.

La porcelaine est fabriquée de produits naturels et, par conséquent, elle peut s'écailler et de petites ridules et fissures peuvent apparaître en raison de l'expansion et de la contraction qui se produisent lorsque la température du four varie (particulièrement lorsque la fonction auto-nettoyage est utilisée). Cela entraîne des imperfections cosmétiques, comme un aspect trouble, une apparence terne ou des égratignures. Les imperfections cosmétiques peuvent être plus visibles dans une cavité de four de couleur.

REMARQUE IMPORTANTE: Pour les fours doubles, l'autre four ne peut pas être utilisé pendant le nettoyage.

Réglage des commandes :


- 1 Activez la ventilation. Un peu de fumée et d'odeur est normal.
- 2 Touchez à Quick Start (démarrage rapide), puis touchez à Clean (nettoyage). Pour le modèle professionnel, tournez le bouton sur More (plus), puis touchez à Clean (nettoyage) sur l'écran tactile.
- 3 Touchez à Start (marche), puis ouvrez la porte du four.
- 4 Retirez les grilles du four et les guides des grilles, puis fermez la porte.
- 5 Touchez à Ok.
- 6 La porte du four se verrouille et reste verrouillée jusqu'à ce que le nettoyage soit terminé et que la température du four soit inférieure à 550°F (290°C).
- 7 Touchez à Off (arrêt) pour effacer. Pour le modèle professionnel, tournez le bouton sur Off.

NETTOYAGE RETARDÉ

Réglage des commandes :

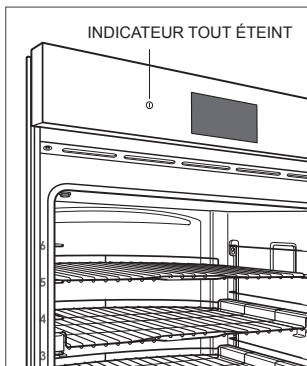
- 1 Activez la ventilation. Un peu de fumée et d'odeur est normal.
- 2 Touchez à Quick Start (démarrage rapide), puis touchez à Clean (nettoyage). Pour le modèle professionnel, tournez le bouton sur More (plus), puis touchez à Clean (nettoyage) sur l'écran tactile.
- 3 Touchez à Delayed Clean (nettoyage retardé) et utilisez l'écran tactile pour sélectionner l'heure de démarrage souhaitée, puis touchez à Start (marche).
- 4 Retirez les grilles du four et les guides des grilles, puis fermez la porte.
- 5 Touchez à Ok.
- 6 La porte du four se verrouille et reste verrouillée jusqu'à ce que le nettoyage soit terminé et que la température du four soit inférieure à 550°F (290°C).
- 7 Touchez à Off (arrêt) pour effacer. Pour le modèle professionnel, tournez le bouton sur Off.

Tout éteint

Tout éteint éteint tous les fours actifs. Touchez  pour éteindre le(s) four(s).

Pour les modèles en verre noir transitionnel et contemporain, l'indicateur n'apparaît que pendant le nettoyage.

L'indicateur n'apparaît pas sur les modèles professionnels. Pour éteindre le(s) four(s), tournez le(s) bouton(s) sur Arrêt.



Tout éteint

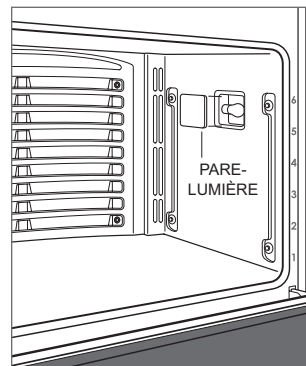
Lampe du four

⚠ AVERTISSEMENT

Assurez-vous que le courant soit coupé au niveau du coffret électrique avant de remplacer l'ampoule.

Laissez le four se refroidir complètement, puis retirez les grilles et les guides de grille. Pour retirer le pare-lumière, dégagez doucement le rebord inférieur avec un tournevis plat. Retirez l'ampoule existante et remplacez-la par une ampoule halogène de 40 watts. Reportez-vous à l'illustration ci-dessous.

Pour remplacer l'ampoule située dans la partie supérieure de la cavité du four, communiquez avec le service certifié par l'usine de Wolf. Pour obtenir le nom du centre de service Wolf certifié par l'usine le plus près, consultez la section Support et service de notre site Web, wolfappliance.com ou appelez le service à la clientèle de Wolf à 800-222-7820.



Remplacement d'une ampoule

Guide de cuisson Wolf

ALIMENT	GRILLE(S)	MODE	TEMPÉRATURE DU FOUR	POSITION	DURÉE	REMARQUES
PAINS						
Biscuits	1	Rôtissage	400 °F (205 °C)	3	5–10 min	
	2	Convection	425 °F (220 °C)	2, 5	5–10 min	
	3	Convection	425 °F (220 °C)	1, 3, 5	5–10 min	
Brioches à la cannelle	1	Cuisson	350 °F (175 °C)	3	20–25 min	
	2	Convection	325 °F (165 °C)	2, 5	20–25 min	
	3	Convection	325 °F (165 °C)	1, 3, 5	20–25 min	
Pain à l'ail	1	Grillage	Moyenne	5		
Muffins	1	Cuisson	400 °F (205 °C)	3	15–20 min	
	2	Convection	375 °F (190 °C)	2, 5	10–15 min	
	3	Convection	375 °F (190 °C)	1, 3, 5	10–15 min	
Pains éclair	1	Cuisson	350 °F (175 °C)	3	40–50 min	
Rôtie	1	Grillage	Élevée	5		
Pain à la levure (moule à pain)	1	Cuisson	350 °F (175 °C)	3	20–45 min	
Pain à la levure (sans moule)	1	Pierre de cuisson	450 °F (230 °C)	1	15–45 min	
Petits pains à la levure	1	Convection	375 °F (190 °C)	3	10–20 min	
	2	Convection	375 °F (190 °C)	2, 5	10–20 min	
	3	Convection	375 °F (190 °C)	1, 3, 5	10–20 min	
GÂTEAUX						
Gâteau des anges	1	Cuisson	350 °F (175 °C)	1	35–45 min	
Bundt ou pound cake	1	Cuisson	350 °F (175 °C)	3	40–50 min	
Petits gâteaux	1	Cuisson	350 °F (175 °C)	3	20–25 min	
	2	Convection	325 °F (165 °C)	2, 5	15–25 min	
	3	Convection	325 °F (165 °C)	1, 3, 5	15–25 min	
Mélange ou fait à la maison	1	Cuisson	350 °F (175 °C)	3	20–30 min	
	2	Convection	325 °F (165 °C)	2, 5	20–30 min	
	3	Convection	325 °F (165 °C)	1, 3, 5	20–30 min	
BISCUITS						
Biscuits ou barres	1	Cuisson	350 °F (175 °C)	3	10–25 min	
	2	Convection	325 °F (165 °C)	2, 5	10–25 min	
	3	Convection	325 °F (165 °C)	1, 3, 5	10–25 min	
TARTES						
Choux à la crème	1	Convection	400 °F (205 °C)	3	20–30 min	
Deux croûtes ou garnies de streusel	1	Cuisson	375 °F (190 °C)	3	40–45 min	
Meringue au citron	1	Grillage	Faible	3	10–15 min	
Croûte de tarte (vide)	1	Cuisson	425 °F (220 °C)	3	10–15 min	
Pâte feuilletée	1	Cuisson	400 °F (205 °C)	3	10–15 min	
	2	Convection	375 °F (190 °C)	2, 5	10–15 min	
	3	Convection	375 °F (190 °C)	1, 3, 5	10–15 min	
Citrouille ou crème pâtissière	1	Cuisson	425 °F (220 °C) / 325 °F (165 °C)	3	reportez-vous à la remarque	Cuire pendant 15 min à 425 °F, réduire la température à 325 °F et cuire jusqu'à ce que la tarte soit prise, 45 à 60 minutes.

Consommer de la viande, de la volaille, des fruits de mer, des mollusques et crustacés crus ou pas assez cuits peut augmenter votre risque de maladie d'origine alimentaire.

Guide de cuisson Wolf

ALIMENT	MODE	TEMPÉRATURE DU FOUR	GRILLE	DURÉE	TEMP. DE LA SONDÉ	REMARQUES
BŒUF						
Rôti de fin de palette	Rôtissage par convection	325 °F (165 °C)	3	45–55 min/kg	Moy. 150 °F (65 °C)	Placez dans un plat avec du liquide à moitié de la hauteur de la viande.
	Rôtissage	350 °F (175 °C)	3	45–55 min/kg	Moy. 150 °F (65 °C)	
Galettes de viande	Grillage	Élevée	5	10–15 min		Retournez après 7 minutes.
Côte de bœuf	Rôtissage	450 °F (230 °C)/ 225 °F (105 °C)	2	reportez-vous à la remarque	Saignant 130 °F (55 °C)	Aucun préchauffage requis. Rôtir pendant 30 minutes à 450 °F, réduisez la température à 225 °F et cuisez jusqu'à la température interne désirée.
Rôtissage	Rôtissage	425 °F (220 °C)/ 325 °F (165 °C)	2	reportez-vous à la remarque	Saignant 135 °F (60 °C)	Rôtir pendant 30 minutes à 425 °F, réduisez la température à 325 °F et cuisez jusqu'à la température interne désirée.
Rôtissage à feu doux	Cuisson	300 °F (150 °C)	2			Placez dans un plat couvert avec du liquide au quart de la hauteur de la viande.
Steaks (< 2,5 cm d'épaisseur)	Grillage	Élevée	5	10–15 min		Retournez après 6 minutes.
Steaks (> 2,5 cm d'épaisseur)	Grillage	Élevée	5	10–20 min		Retournez après 8 minutes.
Filet	Rôtissage par convection	450 °F (230 °C)	3	25–45 min/kg	Saignant 130 °F (55 °C)	
VOLAILLE						
Poulet, non désossé	Rôtissage par convection	325 °F (165 °C)	5	20–25 min	Cuisse 180 °F (80 °C)	
Poitrine de poulet désossée	Grillage	Moyenne	5	10–15 min		Retournez à mi-chemin pendant le grillage.
(aplatie à 1,3 cm d'épaisseur)	Rôtissage par convection	350 °F (175 °C)	3	15–20 min	Poitrine 165 °F (75 °C)	
Quarts, cuisses de poulet	Grillage	Moyenne	5	20–25 min		Retournez à mi-chemin pendant le grillage.
	Rôtissage	350 °F (175 °C)	3	30–40 min	Cuisse 180 °F (80 °C)	
	Rôtissage par convection	325 °F (165 °C)	3	30–40 min	Cuisse 180 °F (80 °C)	
	Cuisson	350 °F (175 °C)	3	30–40 min	Cuisse 180 °F (80 °C)	
Poulet, entier	Rôtissage par convection	325 °F (165 °C)	2	25–45 min/kg	Cuisse 180 °F (80 °C)	
Poule Cornish	Rôtissage par convection	325 °F (165 °C)	3	1 heure	Cuisse 180 °F (80 °C)	
	Rôtissage	350 °F (175 °C)	3	1 heure	Cuisse 180 °F (80 °C)	
Canard	Rôtissage par convection	325 °F (165 °C)	2	35–45 min/kg	Cuisse 180 °F (80 °C)	
Oie	Rôtissage par convection	325 °F (165 °C)	2	35–45 min/kg	Cuisse 180 °F (80 °C)	
Poitrine de dinde, entière	Rôtissage par convection	325 °F (165 °C)	2	15–20 min/kg	Poitrine 165 °F (75 °C)	
	Rôtissage	350 °F (175 °C)	2	15–20 min/kg	Poitrine 165 °F (75 °C)	
Morceaux de dinde	Rôtissage par convection	325 °F (165 °C)	3	30–40 min	Cuisse 180 °F (80 °C)	
	Rôtissage	350 °F (175 °C)	3	30–40 min	Cuisse 180 °F (80 °C)	
Dinde, entière (saumurée)	Cuisson	350 °F (175 °C)	1	25–35 min/kg	Cuisse 180 °F (80 °C)	
Dinde, entière	Rôtissage par convection	325 °F (165 °C)	1	25–35 min/kg	Cuisse 180 °F (80 °C)	
	Rôtissage	325 °F (165 °C)	1	25–35 min/kg	Cuisse 180 °F (80 °C)	

Consommer de la viande, de la volaille, des fruits de mer, des mollusques et crustacés crus ou pas assez cuits peut augmenter votre risque de maladie d'origine alimentaire.

Guide de cuisson Wolf

ALIMENT	MODE	TEMPÉRATURE DU FOUR	GRILLE	DURÉE	TEMP. DE LA SONDÉ	REMARQUES
PORC						
Côtelettes, steaks (1,3 cm d'épaisseur)	Grillage	Élevée	5	5–10 min		Retournez à mi-chemin pendant le grillage.
	Rôtissage par convection	350 °F (175 °C)	3	10–15 min		
Steak de jambon (< 2,5 cm d'épaisseur)	Grillage	Élevée	5	5–10 min		Retournez à mi-chemin pendant le grillage.
Steak de jambon (> 2,5 cm d'épaisseur)	Grillage	Élevée	5	10–15 min		Retournez à mi-chemin pendant le grillage.
Jambon, entier	Cuisson	335 °F (170 °C)	2	25–35 min/kg	160 °F (70 °C)	Couvrez et laissez reposer pendant 15 minutes.
Côtes levées	Cuisson	300 °F (150 °C)	3			Placez dans du papier d'aluminium ou un plat couvert avec du liquide au quart de la hauteur de la viande.
Rôtissage à feu doux	Cuisson	300 °F (150 °C)	2			Placez dans un plat couvert avec du liquide au quart de la hauteur de la viande.
Filet	Rôtissage par convection	400 °F (205 °C)	3	35-45 min/kg	Saignant 130 °F (55 °C)	
AGNEAU						
Côtelettes, steaks (1,9 cm d'épaisseur)	Grillage	Élevée	5	5–10 min		Retournez à mi-chemin pendant le grillage.
Couronne	Rôtissage par convection	325 °F (165 °C)	2	35-45 min/kg	145 °F (65 °C)	
Cuisse	Rôtissage par convection	425 °F (220 °C) /325 °F (165 °C)	2	reportez-vous à la remarque	145 °F (65 °C)	Rôtir pendant 30 minutes à 425 °F, réduisez la température à 325 °F et cuisez jusqu'à la température interne désirée.
Rôti de veau	Rôtissage par convection	300 °F (150 °C)	2	65–75 min/kg	140 °F (60 °C)	
POISSON						
Filet (< 2,5 cm d'épaisseur)	Grillage	Moyenne	5	10–20 min		
Filet (> 2,5 cm d'épaisseur)	Rôtissage par convection	375 °F (190 °C)	5	15–25 min		
PIZZA						
Calzones	Pierre de cuisson	375 °F (190 °C)	1	10–15 min		
Pizza à pain français	Grillage	Moyenne	5	10–15 min		
Pizza maison	Pierre de cuisson	450 °F (230 °C)	1	5–15 min		
LÉGUMES						
Légumes mélangés	Rôtissage par convection	400 °F (205 °C)	4	10–20 min		
Pommes de terre, patates douces	Cuisson	350 °F (175 °C)	3	45–60 min		
AUTRE						
Pain de viande	Rôtissage	425 °F (220 °C)/ 325 °F (165 °C)	2	reportez-vous à la remarque	165 °F (75 °C)	Rôtir pendant 20 minutes à 425 °F, réduisez la température à 325 °F et cuisez jusqu'à la température interne désirée.
Nachos	Grillage	Faible	3	15–20 min		
Repas dans un plat	Cuisson	350 °F (175 °C)	3	45–60 min	175 °F (80 °C)	
Quiche	Cuisson	350 °F (175 °C)	3	40–50 min		
Saucisse, saucisse Bratwurst (fraîches)	Grillage	Moyenne	5	10–15 min		Retournez à mi-chemin pendant le grillage.

Consommer de la viande, de la volaille, des fruits de mer, des mollusques et crustacés crus ou pas assez cuits peut augmenter votre risque de maladie d'origine alimentaire.

Conseils d'entretien

NETTOYAGE

Acier inoxydable	Utilisez un nettoyant non abrasif pour l'acier inoxydable et appliquez-le avec un chiffon doux non pelucheux. Pour faire ressortir le lustre naturel, essuyez légèrement la surface avec un chiffon en microfibres humecté d'eau suivi d'un chamois à polir sec. Suivez toujours le grain de l'acier inoxydable.
Verre noir	Pulvérisez du nettoyant à vitre sur un chiffon propre.
Grilles et guides de grille du four	Enlevez-les et déposez-les sur une surface plate près de l'évier. Nettoyez avec de l'eau chaude et un détergent doux ou une pâte de bicarbonate de soude et d'eau. N'immergez pas dans l'eau. Séchez avec une serviette.
Panneau de commande	Utilisez un dégraissant pulvérisé pour éliminer les empreintes de doigts et les taches de nourriture. Pulvérisez sur un chiffon avant d'essuyer le panneau. REMARQUE IMPORTANTE : Ne pulvérisez pas les produits à nettoyer directement sur l'écran tactile.
Intérieur du four	REMARQUE IMPORTANTE : Retirez tous les aliments renversés (en particulier les sauces sucrées, acides et à base de tomates) lorsque l'intérieur du four est sûr de toucher. Certaines imperfections sont permanentes, mais n'affectent pas le fonctionnement de la porcelaine. Avant d'utiliser la fonction nettoyage, utilisez une lame de rasoir pour soulever doucement les aliments cuits sur la cavité et la fenêtre du four. Pour les taches rebelles, pulvérisez un nettoyant abrasif doux ou un dégraissant en aérosol et frottez avec un tampon Scotch-Brite™ sans égratignure (rose ou bleu). Lavez la cavité du four au complet avec du savon et de l'eau pour éliminer tout produit chimique de nettoyage avant d'utiliser le mode nettoyage. Si le résidu n'est pas nettoyé de la cavité, la porcelaine risque d'être gravée. Une fois le cycle de nettoyage terminé, laissez le four se refroidir complètement et essuyez les cendres avec un chiffon humide.
Lèchefrite	Pour nettoyer la grille supérieure, utilisez un détergent doux et un tampon à récurer. Rincez et séchez. Pour nettoyer la partie inférieure, jetez la graisse et lavez dans de l'eau chaude avec un détergent doux. Rincez et séchez. La grille supérieure peut aller dans le lave-vaisselle, mais ne placez pas le plateau enduit de porcelaine dans un lave-vaisselle.

Dépannage

FONCTIONNEMENT

Le four ne fonctionne pas.

- Assurez-vous qu'il y ait du courant.
- Vérifiez l'alimentation électrique vers le four et assurez-vous que le disjoncteur est en marche.

Problème de température du four.

- Communiquez avec le service à la clientèle de Wolf au 800-222-7820 pour obtenir des recommandations.

Aucune réaction de l'écran tactile.

- L'unité se trouve en mode sabbat (★ affiché sur l'écran tactile), reportez-vous à la page 15.
- Mettez le disjoncteur hors tension pendant 20 secondes, puis remettez-le en marche.

Les mots « Probe Shorted » sont affichés sur l'écran tactile.

- Touchez à Off (arrêt). Assurez-vous que le connecteur de sonde soit entièrement appuyé au fond de la prise. Réinitialisez la température du four et la température de la sonde.

Message d'erreur affiché durant le cycle de nettoyage.

- Pour les fours doubles, si un four se trouve dans un cycle de nettoyage actif, l'autre four ne peut pas être utilisé.

Le four émet des bruits pendant le préchauffage ou le refroidissement.

- Ceci est normal avec l'expansion et la contraction de toute nouvelle cavité.
- Lancez le cycle de nettoyage. Si le problème persiste, communiquez avec le service à la clientèle de Wolf au 800-222-7820.

SERVICE

- Préservez la qualité intégrée dans votre produit en communiquant avec un service Wolf certifié par l'usine. Pour obtenir le nom du centre de service Wolf certifié par l'usine le plus près, consultez la section Support produit de notre site Web, wolfappliance.com ou appelez le service à la clientèle de Wolf au 800-222-7820.
- Avant d'appeler pour obtenir du service, ayez en main les numéros de modèle et de série de votre produit. Les deux numéros sont indiqués sur la plaque signalétique du produit. Reportez-vous à la page 6 pour connaître l'emplacement de la plaque signalétique.
- Pour les besoins de la garantie, vous devrez aussi avoir la date d'installation et le nom de votre dépositaire Wolf autorisé. Ces renseignements doivent être notés à la page 3 de ce guide.

Garantie limitée résidentielle Wolf Appliance

POUR UTILISATION RÉSIDENIELLE

GARANTIE COMPLÈTE DE DEUX ANS*

Pendant deux ans à compter de la date d'installation originale, cette garantie de produit Wolf Appliance couvre toutes les pièces et la main d'œuvre pour réparer ou remplacer, selon un usage résidentiel normal, toute partie du produit qui s'avérerait défectueuse en vertu des matériaux ou de la fabrication. Tout service fourni par Wolf Appliance en vertu de la garantie ci-dessus doit être effectué par un centre de service Wolf certifié par l'usine, à moins d'indication contraire de la part de Wolf Appliance, Inc. Le service sera fourni pendant les heures normales d'affaires.

GARANTIE LIMITÉE DE CINQ ANS

Pendant cinq ans à compter de la date originale d'installation, Wolf Appliance réparera ou remplacera les pièces suivantes qui s'avéreront défectueuses en vertu des matériaux ou de la fabrication : les brûleurs au gaz (sauf l'apparence), les éléments de chauffage électrique, les moteurs de soufflerie (hottes de ventilation), les circuits de contrôle électronique, les tubes magnétrons et les génératrices à induction. Si le propriétaire utilise le service Wolf certifié en usine, le fournisseur de service réparera ou remplacera ces pièces et le propriétaire paiera pour tous les autres frais, y compris la main d'œuvre. Si le propriétaire utilise un service non certifié, il doit communiquer avec Wolf Appliance, Inc. (avec les renseignements ci-dessous) pour obtenir des pièces réparées ou de rechange. Wolf Appliance ne remboursera pas le propriétaire pour les pièces achetées d'un service non certifié ou d'autres sources.

CONDITIONS S'APPLIQUANT À CHAQUE GARANTIE

La garantie s'applique uniquement aux produits installés pour un usage résidentiel normal. La garantie s'applique seulement aux produits installés dans l'un des cinquante états des États-Unis, dans le District of Columbia ou les dix provinces du Canada. Cette garantie ne couvre pas les pièces ou la main d'œuvre pour corriger tout défaut causé par de la négligence, un accident ou une utilisation, un entretien, une installation, un service ou une réparation inappropriés.

LES REMÈDES DÉCRITS CI-DESSUS POUR CHAQUE GARANTIE SONT LES SEULS QUI SONT OFFERTS PAR WOLF APPLIANCE, INC. EN VERTU DE CETTE GARANTIE OU EN VERTU DE TOUTE GARANTIE DÉCOULANT DE L'OPÉRATION DE LA LOI. WOLF APPLIANCE, INC. NE SERA PAS RESPONSABLE DES DOMMAGES INDIRECTS OU CONSÉCUTIFS DÉCOULANT DE LA VIOLATION DE CETTE GARANTIE OU DE TOUTE GARANTIE, EXPRESSE, IMPLICITE OU LÉGALE.

Certaines provinces ne permettent pas l'exclusion ou la restriction des dommages indirects ou consécutifs, par conséquent, la limite ou l'exclusion ci-dessus peut ne pas s'appliquer à votre cas. Cette garantie vous confère des droits légaux précis et vous pouvez aussi avoir d'autres droits légaux qui peuvent varier d'une province à l'autre.

Pour obtenir des pièces et/ou du service et le nom du centre de service Wolf certifié par l'usine le plus près de chez vous, communiquez avec Wolf Appliance, Inc., P.O. Box 44848, Madison, WI 53744 É.-U.; Consultez la section Support produit de notre site Web, wolfappliance.com, envoyez-nous un courriel à customerservice@subzero.com ou composez le 800-222-7820.

*L'acier inoxydable (les portes, les panneaux, les poignées, les cadres et les surfaces intérieures) est couvert par une garantie limitée de 60 jours sur les pièces et la main d'œuvre pour toute défectuosité cosmétique.

*Les filtres de rechange pour les trousse de recirculation de hotte ne sont pas couverts par la garantie du produit.





WOLF APPLIANCE, INC. P.O. BOX 44848 MADISON, WI 53744 WOLFAPPLIANCE.COM 800.222.7820

9051277 REV-A

12/2021

