

# 24-Inch Drawer Microwave

\$1,799 – \$1,899

**dacor**



**DMR24M977WS/DA** – Silver Stainless \$1,799

**DMR24M977WM/DA** – Graphite Stainless \$1,899

## Features & Benefits

- Motorized drawer
- 10 preset modes
- Smart moisture sensor
- Multi-sequence cooking
- Automatic start
- Keep warm
- Electronic control panel

## Weights & Dimensions

<b>NET WEIGHT (LBS.)</b>	72
<b>SHIPPING WEIGHT (LBS.)</b>	84
<b>PRODUCT DIMENSIONS (W X H X D IN INCHES)</b>	23 7/8 x 15 7/8 x 23 1/4
<b>STANDARD CUTOUT REQUIRED (W X H X D IN INCHES)</b>	22 1/2 x 15 5/8 x 23 1/2
<b>FLUSH CUTOUT REQUIRED (W X H X D IN INCHES)</b>	24 3/8 (min.) to 24 1/2 (max.) x 16 7/8 x 23 1/2

## Technical Details

<b>ELECTRICAL REQUIREMENTS</b>	120V, 60 Hz, 15A
--------------------------------	------------------

## Warranty

<b>FULL COVERAGE</b>	2 Years
----------------------	---------

## Controls

<b>CONTROL TYPE</b>	Glass Touch
<b>CLOCK</b>	Yes
<b>CHILD LOCK</b>	Yes

## Microwave Oven

<b>MICROWAVE CAPACITY (CU. FT.)</b>	1.2
<b>MICROWAVE POWER</b>	950W
<b>SENSOR COOK</b>	Yes
<b>CONVECTION</b>	No
<b>LIGHTING</b>	Halogen

## Accessories (Optional)

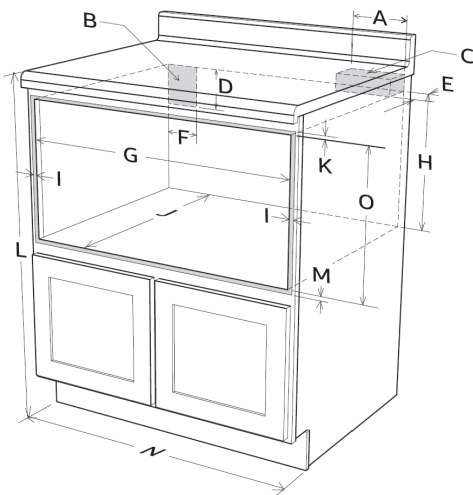
<b>ADMRF24S</b>	Flush Installation Kit, Silver Stainless	\$69
<b>ADMRF24M</b>	Flush Installation Kit, Graphite Stainless	\$79

# 24-Inch Drawer Microwave

\$1,799 – \$1,899

**dacor**

Product Dimensions	
A - ANTI-TIP BLOCK LENGTH (IN)	6
B - ELECTRICAL OUTLET LOCATION (IN)	–
C - ANTI-TIP BLOCK (IN)	–
D - OUTLET LOCATION HEIGHT (IN)	5
E - ANTI-TIP BLOCK WIDTH (IN)	3 ½
F - OUTLET LOCATION WIDTH (IN)	4
G - CUTOUT-OPENING WIDTH (IN)	22 ⅝
H - CUTOUT FLOOR TO BLOCK BOTTOM (IN)	14 ⅙
I - MINIMUM OVERLAP ALLOWANCE, SIDES (IN)	⅞
J - MINIMUM CUTOUT DEPTH (IN)	23 ½
K - MINIMUM OVERLAP ALLOWANCE (IN)	⅜
L - NOMINAL COUNTERTOP HEIGHT (IN)	36
M - MINIMUM OVERLAP ALLOWANCE, BOTTOM (IN)	⅛
N - MINIMUM CABINET WIDTH (IN)	24
O - CUTOUT HEIGHT (IN)	15 ⅝



Product Dimensions	
A - OVERALL CHASSIS WIDTH (IN)	21 ⅝
B - WIDTH OF CHASSIS NOTCH (IN)	4 ⅙
C - HEIGHT OF CHASSIS NOTCH (IN)	1 ¼
D - CHASSIS DEPTH (IN)	21 ⅞
E - MICROWAVE FACE WIDTH (IN)	30
F - WITH MODERNIST HANDLE (IN)	15 ⅞
G - CHASSIS HEIGHT (IN)	14 ⅙
H - DOOR FACE THICKNESS (IN)	1 ¼
I - AUTOMATIC DRAWER-OPEN DEPTH (IN)	15
J - CHASSIS NOTCH WIDTH (IN)	4

