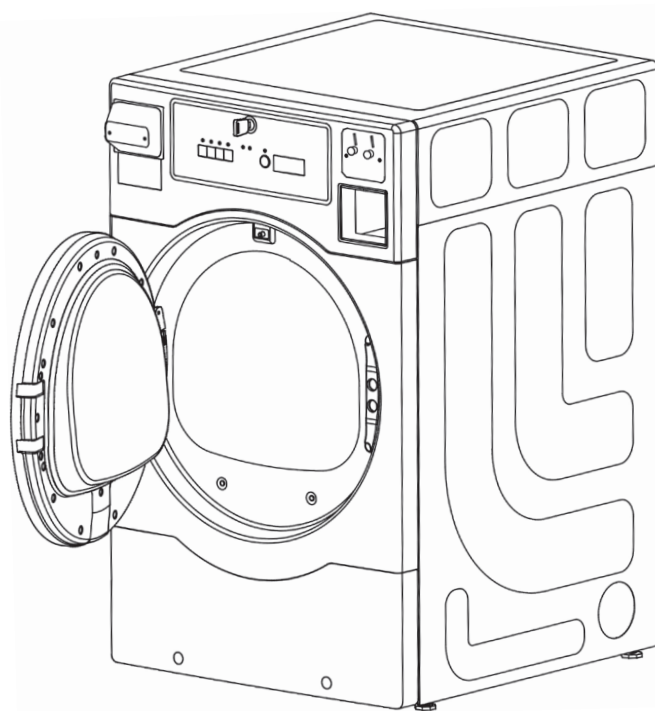


Operating Manual

CROSSOVER 2.0 SERIES

In a class by itself



DRYER INSTALLATION MANUAL

DOC. NO. 0180500934A
EDITION 12.2018

Laundrylux