

# DLEX9500K / DLGX9501K

LG SIGNATURE Dryer

LG SIGNATURE

KEY FEATURES

- 9.0 cu.ft. MEGA Capacity
- NeveRust™ Stainless Steel Drum
- 14 Drying Programs
- On Door Control Panel with Full Touch Display
- TurboSteam®
- SteamFresh™ Cycle
- ThinQ® Technology



PRODUCT FEATURES

SUMMARY	
Type	Front Load Dryer
Capacity	9.0 cu. ft.
Matching Washer	WM9500HKA
Sensor Dry	Yes
Steam	Yes
Color	Black Stainless Steel (K)
APPEARANCE	
On-Door Electronic Control Panel with LED Display	Yes
Intelligent Electronic Controls with LED Display	Yes
Touch Buttons	Yes
Full Touch Control Panel	Yes
DRYER PROGRAMS	
No. of Programs	14
	Cotton/Normal, Perm Press, Towels, Delicates, Heavy Duty, SteamFresh™, SteamSanitary™, Bedding, LowTempDry, Anti-Bacterial, Jumbo Dry, Download Cycle, Speed Dry (Manual Dry), Air Dry (Manual Dry)
DRYER OPTIONS	
No. of Options	14
Options	More Time, Less Time, Damp Dry Signal, Wrinkle Care, Child Lock, Custom Program, PGM Save, Wi-Fi Connect, Drum Light, Energy Saver, TurboSteam™, Eco Hybrid, Smart Grid, RemoteStart
Temperature Settings	High, Medium High, Medium, Low, Ultra Low
Drying Levels	Very Dry, More Dry, Normal Dry, Less Dry, Damp Dry
Manual Dry Times	60 min., 50 min., 40 min., 30 min., 20 min., More Time / Less Time

FABRIC CARE FEATURES	
Sensor Dry	Yes
Precise Temperature Control with Variable Heater	Yes
Steam	TurboSteam™
CONVENIENCE FEATURES	
3 Minute Installation Check	Yes
LoDecibel™ Quiet Operation	Yes
End of Cycle Signal	Yes
Drum Light	Yes
Reversible Door	Yes
FlowSense™ Duct Clogging Indicator	Yes
Wrinkle Care Option	Yes
Child Lock	Yes
Venting Option	Electric: 4 Way Venting / Gas: 3 Way Venting
4 Adjustable Legs	Yes
Remaining Time Display / Status Indicator(s)	Yes
THINQ® TECHNOLOGY	
SmartDiagnosis™	Yes
Wi-Fi	Yes
Remote Control	Yes
Energy Monitoring	Yes (WiFi)
MATERIALS AND FINISHES	
NeveRust™ Stainless Steel Drum	Yes
Tub Rear	Stainless Steel
Cabinet	Painted Steel
Door	Door with intergrated control panel
All Available Colors	Black Stainless Steel (K)

POWER SOURCE	
Ratings	CSA Listed
Electrical Requirements	120V, 15 Amps (Gas) / 240V 30 Amps (Electric)
BTU Rating	Gas: 20,000
OPTIONS	
LP Conversion Kit	383EEL3002D
Side Venting Kit	3911EZ9131X
Pedestal	WDP5K
Pedestal (WxHxD)	29 x 14 1/8 x 30 7/8 (50 9/16 D with door open)
DIMENSIONS	
Product (WxHxD)	29" x 40 7/8" x 33 3/8"
Depth with Door Open	56"
Carton (WxHxD)	31 1/2" x 45 11/32" x 35 1/2"
Weight (Product)	Electric: 157.4 lbs / Gas: 160.7 lbs
Weight (Carton)	Electric: 177.2 lbs / Gas: 180.5 lbs
WARRANTY	
Parts and Labor	1 Year
UPC CODES	
DLEX9500K (Black Stainless Steel)	048231017046
DLGX9501K (Black Stainless Steel)	048231017053
WM9500HKA Washer	048231017039

# DLEX9500K / DLGX9501K

## LG SIGNATURE Dryer

### QUICK INSTALL & CLEARANCES

For full installation directions/clearances please refer to the corresponding User Manual and Installation Guide.

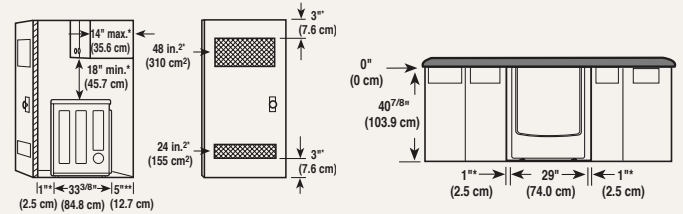
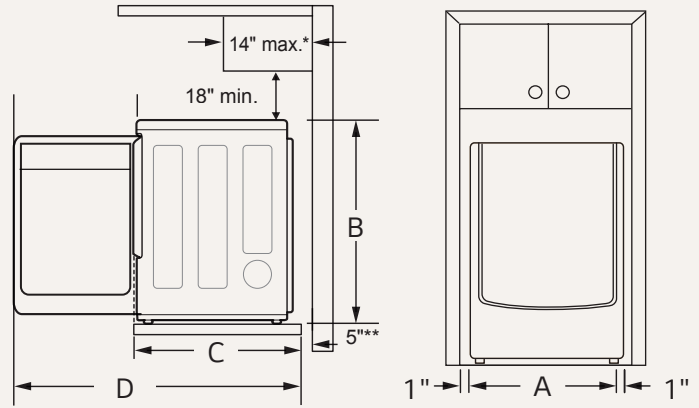
#### DIMENSIONS

A Width	29"
B Height	40 7/8"
C Depth	33 3/8"
E Depth with Door Open (in)	56"
Carton Dimensions (in) (W x H x D)	31 1/2" x 45 11/32" x 35 1/2"

#### POWER RATINGS

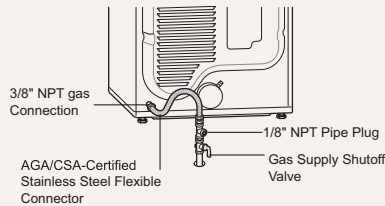
Ratings	CSA Listed
Electrical Requirements	120V, 15 Amps (Gas) / 240V, 30 Amps (Electric)
BTU Rating	Gas: 20,000

#### PRODUCT DIMENSIONS



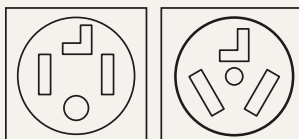
#### CONNECTING THE GAS SUPPLY

- Installation and service must be performed by a qualified installer, service agency, or the gas supplier.
- Use only a new stainless steel flexible connector and a new AGA-certified connector.
- A gas shutoff valve must be installed within 6 ft. (1.8 m) of the dryer.
- The dryer is configured for natural gas when shipped from the factory. Make sure that the dryer is equipped with the correct burner nozzle for the type of gas being used (natural gas or propane gas).
- If necessary, the correct nozzle (for the LP nozzle kit, order part number 383EEL3002D) should be installed by a qualified technician and the change should be noted on the dryer.
- All connections must be in accordance with local codes and regulations. Gas dryers MUST exhaust to the outdoors.



#### CONNECTING ELECTRIC DRYERS

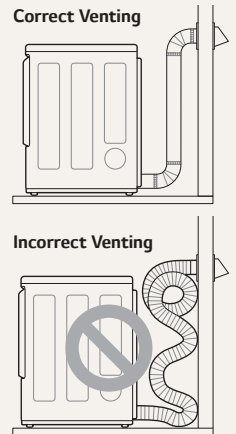
- A 4-wire connection is required for all mobile and manufactured home installations, as well as all new construction **after January 1, 1996**.
- A 3-wire connection is **NOT permitted** on new construction **after January 1, 1996**.
- A UL-listed strain relief is required.
- Use a 30-amp, 240-volt, 4-wire, UL-listed power cord with #10 AWG-minimum copper conductor and closed loop or forked terminals with upturned ends.



#### VENTING / DUCTWORK

Follow the guidelines below to maximize drying performance and reduce lint buildup and condensation in the ductwork. Ductwork and fittings are NOT included and must be purchased separately.

- Use 4-inch (10.2 cm) diameter rigid, semi-rigid or flexible metal ductwork.
- The exhaust duct run should be as short as possible.
- Use as few elbow joints as possible.
- The male end of each section of exhaust duct must point away from the dryer.
- Use duct tape on all duct joints.
- Insulate ductwork that runs through unheated areas in order to reduce condensation and lint buildup on duct surfaces.
- Incorrect or inadequate exhaust systems are not covered by the dryer warranty. Dryer failures or service required because of such exhaust systems will not be covered by the dryer warranty.



- Ductwork is not provided with the dryer. You should obtain the necessary ductwork locally. The vent hood should have hinged dampers to prevent backdraft when the dryer is not in use.
- The total length of flexible metal duct must not exceed 8 ft. (2.4 m).
- Deduct 6 ft. (1.8 m) for each additional elbow. Do not use more than four 90° elbows.

Wall Cap Type	Number of 90° Elbows	Maximum length of 4-inch diameter rigid metal duct	
	0	65 ft.(19.8 m)	
	1	55 ft.(16.8 m)	
	2	47 ft.(14.3 m)	
	3	36 ft.(11.0 m)	
a: 4" (10.2 cm)	4	28 ft.(8.5 m)	
		0	55 ft.(16.8 m)
		1	47 ft.(14.3 m)
		2	41 ft.(12.5 m)
3		30 ft.(9.1 m)	
b: 2.5" (6.35 cm)	4	22 ft.(6.7 m)	