

DGC 7840 AM

24" Compact Combi-Steam Oven XL

for steam cooking, baking, roasting with roast probe + menu cooking.



- Large touch display with proximity sensor – M Touch + MotionReact
- Perfect results – DualSteam technology
- Crispy on the outside, succulent on the inside – Combi-Steam
- Miele@home – network-enabled WiFi appliance + Miele Mix & Match
- Easy cleaning – PerfectClean stainless steel oven compartment

EAN: 4002516487814 / Material number: 11876600 / Old Material Number: 23784032USA

| Design | |
|--|---------------|
| Appliance color | Graphite grey |
| Construction type and design | |
| Combi-steam oven | • |
| VitroLine | • |
| Convenience features | |
| Rapid PreHeat | • |
| Preheating | • |
| External steam generation | • |
| Climate sensor | • |
| Individual humidity settings in combination cooking | • |
| Menu cooking without transfer of taste | • |
| Miele Mix & Match | • |
| Roast probe | wired |
| Automatic programs with individual setting of the cooking result | • |
| Keep-warm function | • |
| Crisp Function | • |
| Operating modes | |
| Defrost | • |
| MasterChef automatic programs | • |
| Country-specific automatic programs | • |
| Combi-Steam | • |
| Combi cooking | • |
| Combi-Steam with Convection Bake | • |
| Combi-Steam with Surround | • |
| Combi-Steam with Maxi Broil | • |
| Steam cooking | • |
| Sous-vide | • |
| Reheating | • |
| Roast with moisture | • |
| Broiling operating modes | • |
| Maxi Broil | • |
| Broil | • |
| Convection Bake | • |
| Convection Roast | • |
| Intensive | • |
| Intensive Bake | • |
| Humidity Plus | • |
| Cake plus | • |
| Surround | • |
| Browning | • |
| Bake | • |
| Convection Broil | • |
| Convection Roast | • |
| Warm-up cookware | • |
| Special Modes | • |
| User convenience | |
| Networking with Miele@home | • |
| Display | M Touch |

DGC 7840 AM

24" Compact Combi-Steam Oven XL

for steam cooking, baking, roasting with roast probe + menu cooking.



EAN: 4002516487814 / Material number: 11876600 / Old Material Number: 23784032USA

| | |
|---|-----|
| Clear text on control panel | • |
| MotionReact proximity sensor | • |
| MotionReact: Light comes on when movement is detected | • |
| MotionReact: Display comes on when movement is detected | • |
| MotionReact: Audible signal to acknowledge when movement is detected | • |
| MotionReact: Detection of cabinet fronts | • |
| SoftOpen | • |
| SoftClose | • |
| MultiLingua | • |
| MyMiele | • |
| Show me how | • |
| Motorized lift-up control panel with SoftClose | • |
| Quantity-independent cooking | • |
| Steam cooking on up to 3 levels at the same time | • |
| Automatic menu cooking | • |
| Steam reduction before end of programme | • |
| Polyphonic acoustic signals | • |
| Time of day display | • |
| Date display | • |
| Minute minder | • |
| Programming start of cooking duration | • |
| Programming end of cooking duration | • |
| Programmable cooking time | • |
| Actual temperature display | • |
| Desired temperature display | • |
| Audible signal when desired temperature is reached | • |
| Default temperature | • |
| Favorites | • |
| Sabbath program | • |
| Individual settings | • |
| Cleaning convenience | |
| Stainless steel oven compartment with linen-weave pattern and PerfectClean finish | • |
| Foldable broil heater element | • |
| External steam generator | • |
| Maintenance programs | • |
| Soak program | • |
| Rinse program | • |
| Cavity drying program | • |
| Quick-release side racks | • |
| Removable side racks | • |
| Descaling | • |
| CleanGlass door | • |
| Steam technology/water supply | |
| DualSteam | • |
| Fresh water container volume in l | 1.4 |
| Fresh-water container tank behind motorized lift-up control panel with SoftClose | • |
| Condensate container behind motorized lift-up control panel with SoftClose | • |

DGC 7840 AM

24" Compact Combi-Steam Oven XL

for steam cooking, baking, roasting with roast probe + menu cooking.

EAN: 4002516487814 / Material number: 11876600 / Old Material Number: 23784032USA

| | |
|---|---|
| Drain filter | • |
| Safety | |
| Cooling system with cool touch front | • |
| Appliance cooling system and cool touch front | • |
| Safety shut-off | • |
| Safety cut-out | • |
| System lock | • |
| Vapor cooling system | • |
| Sensor lock | • |
| Technical data | |
| No. of rack levels | 3 |
| Labeling of rack levels | • |
| Door hinge side | Bottom |
| Oven interior lighting | BrilliantLight |
| Oven mode temperatures in °F (°C) | 85-450 °F (30-230 °C) |
| Niche width min. in inches (mm) | 22 1/8 (560) |
| Niche width min. in inches (mm) | 560 |
| Niche width max. in inches (mm) | 22 3/8 (568) |
| Niche width max. in inches (mm) | 568 |
| Niche height min. in inches (mm) | 17 3/4 (450) |
| Niche height min. in inches (mm) | 450 |
| Niche height max. in inches (mm) | 17 7/8 (452) |
| Niche height max. in inches (mm) | 452 |
| Niche depth in in. (mm) | 555 |
| Niche depth in in. (mm) | 21 7/8 (555) |
| Appliance dimensions (W x H x D) in inches (mm) | 23 1/2 (595) x 18 (456) x 22 1/2 (569) |
| Appliance width in in. (mm) | 23 1/2 (595) |
| Appliance width in in. (mm) | 595 |
| Appliance height in in. (mm) | 18 (456) |
| Appliance height in in. (mm) | 455.5 |
| Appliance depth in in. (mm) | 22 1/2 (569) |
| Appliance depth in in. (mm) | 568.5 |
| Weight in lbs. (kg) | 92 (41.5) |
| Weight in lbs. (kg) | 91.49 (41.5) |
| Weight in lbs. (kg) | 92 (41.5) |
| Total connected load in kW | 2.80-3.70 |
| Power Rating in V | 0 |
| Usable voltage range in V | 240/208 |
| Frequency in Hz | 60 |
| Fuse rating in A | 20 |
| Number of phases | 2 |
| Connection wire with plug | • |
| Length of power cord in in. (m) | 2 |
| Replacing bulbs | Customer Service |
| Standard accessories | |
| Universal tray with PerfectClean HUBB 71 | 1 |
| Wire rack with PerfectClean HBBR 71 | 1 |
| PerfectClean FlexiClip telescopic runners HFC 71 (pair) | 1 |
| Wired food probe | 1 |
| Removable side racks with PerfectClean (pair) | 1 |

DGC 7840 AM

24" Compact Combi-Steam Oven XL

for steam cooking, baking, roasting with roast probe + menu cooking.



EAN: 4002516487814 / Material number: 11876600 / Old Material Number: 23784032USA

| | |
|---|---|
| Perforated stainless-steel cooking containers | 2 |
| Solid stainless steel cooking containers | 1 |
| Descaling tablets | 2 |

Available display languages

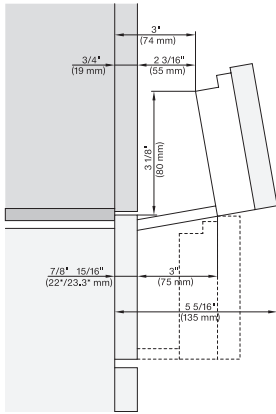
Available display languages via MultiLingua

bahasa malaysia, dansk,
deutsch, english, español,
français, hrvatski, italiano,
magyar, nederlands,
norsk, polski, portugês,
русский, română,
slovenčina, slovenščina,
srpski, suomi, svenska,
türkçe, українська, čeština,
ελληνικά,

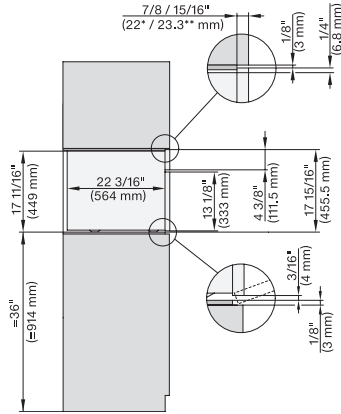
DGC 7840 AM

24" Compact Combi-Steam Oven XL

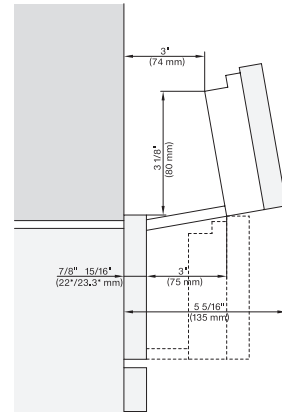
for steam cooking, baking, roasting with roast probe + menu cooking.



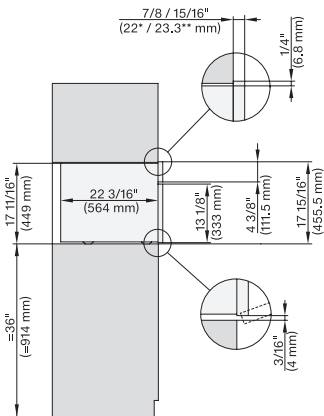
Swivel range Flush inset DGC XL, installation drawing, NA
7/8" – 22" mm – Glas, 15/16" – 23.3" mm – Edelstahl



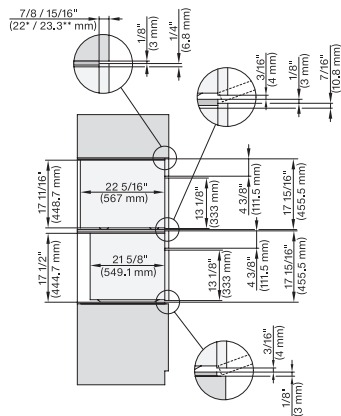
side view 30 inch Flush inset DGC XL, installation drawing, NA
7/8" – 22" mm – Glas, 15/16" – 23.3" mm – Edelstahl



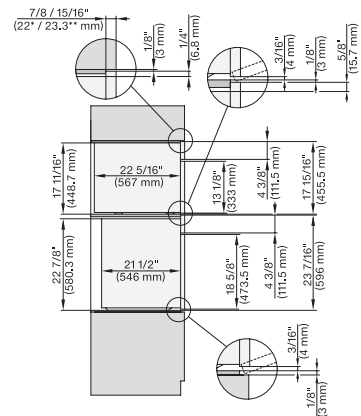
swivel range Proud DGC XL, installation drawing, NA
7/8" – 22" mm – Glas, 15/16" – 23.3" mm – Edelstahl



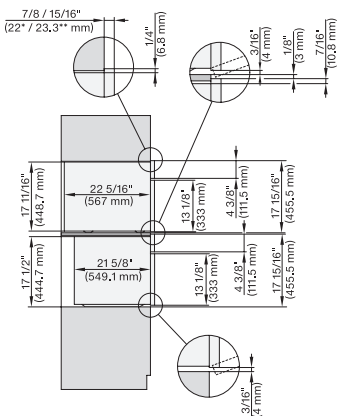
side view 30 inch Proud DGC XL, installation drawing, NA
7/8" – 22" mm – Glas, 15/16" – 23.3" mm – Edelstahl



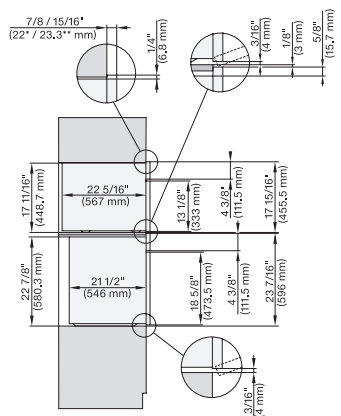
DGC 6x00-1 + EBA 6808, H 6x00 BM + EBA 6808, DGC7xxx, H7xxx, EBA7848 Combi, Installation drawing, Flush inset, NA
7/8" – 22" mm – Glas, 15/16" – 23.3" mm – Edelstahl



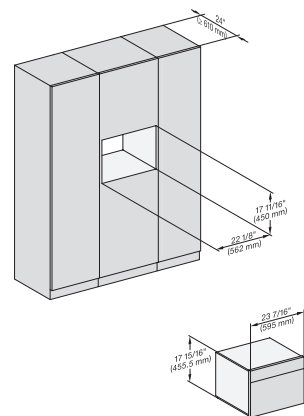
DGC6x00-1 + EBA 6808, H 6560B + EBA 6808, H 6x60 BP + EBA6808, DGC7xxx, H7xxx, EBA78x8 Combi, Install. drawi., Flush inset, NA
7/8" – 22" mm – Glas, 15/16" – 23.3" mm – Edelstahl



DGC 6x00-1 + EBA6808, H 6x00 BM + EBA 6808, DGC7x4x(+EBA7848), H7x40BM(+EBA7848), Combi, Installation drawing, Proud, NA
7/8" – 22" mm – Glas, 15/16" – 23.3" mm – Edelstahl



DGCxxxx-1 + EBAx8x8, H6560B + EBA6808, HxxxxBP + EBAx8x8, Combi, Installation Drawing, Proud, Flush inset, NA
7/8" – 22" mm – Glas, 15/16" – 23.3" mm – Edelstahl

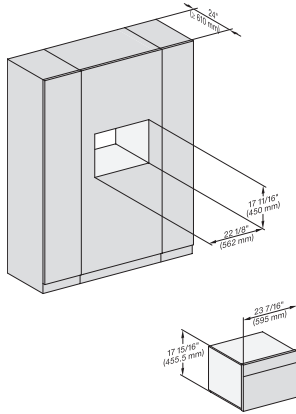


installation Proud 450S, installation drawing, NA

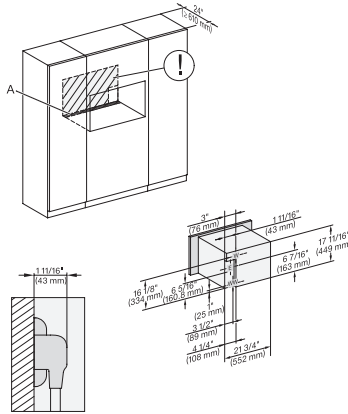
DGC 7840 AM

24" Compact Combi-Steam Oven XL

for steam cooking, baking, roasting with roast probe + menu cooking.

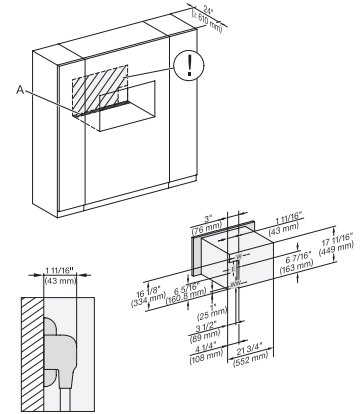


installation Proud wide front 450S, installation drawing, NA



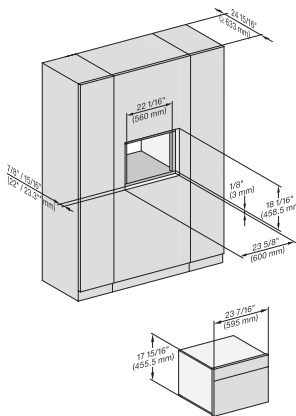
installation 30 inch Proud DGC XL, installation drawing, Na

A – Cut-out (1 9/16" x 19 11/16" / 40 mm x 500 mm) in the bottom of the cabinet for power cord and ventilation, – Electrical and water supplies are recommended to be placed in adjacent cabinetry., Additional cabinet depth is required when placing the electrical and water supplies behind the appliance., E = Electric connection



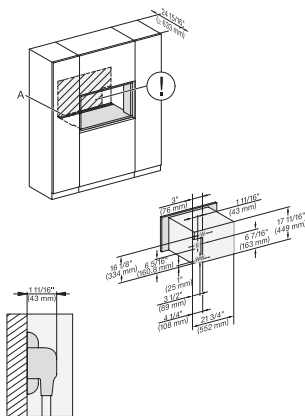
installation 30 inch Proud wide front DGC XL, installation drawing, NA

A – Cut-out (1 9/16" x 19 11/16" / 40 mm x 500 mm) in the bottom of the cabinet for power cord and ventilation, – Electrical and water supplies are recommended to be placed in adjacent cabinetry., Additional cabinet depth is required when placing the electrical and water supplies behind the appliance., E = Electric connection



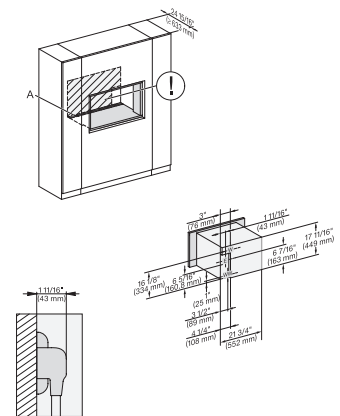
installation Flush inset wide front 450S, installation drawing, NA

7/8" – 22" mm – Glass, 15/16" – 23.3** mm – Stainless steel



installation 30 inch Flush inset DGC XL, installation drawing, NA

A – Cut-out (1 9/16" x 19 11/16" / 40 mm x 500 mm) in the bottom of the cabinet for power cord and ventilation, – Electrical and water supplies are recommended to be placed in adjacent cabinetry., Additional cabinet depth is required when placing the electrical and water supplies behind the appliance., E = Electric connection



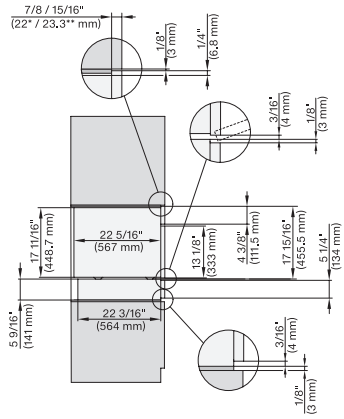
installation 30 inch Flush inset wide front DGC XL, installation drawing, NA

A – Cut-out (1 9/16" x 19 11/16" / 40 mm x 500 mm) in the bottom of the cabinet for power cord and ventilation, – Electrical and water supplies are recommended to be placed in adjacent cabinetry., Additional cabinet depth is required when placing the electrical and water supplies behind the appliance., E = Electric connection

DGC 7840 AM

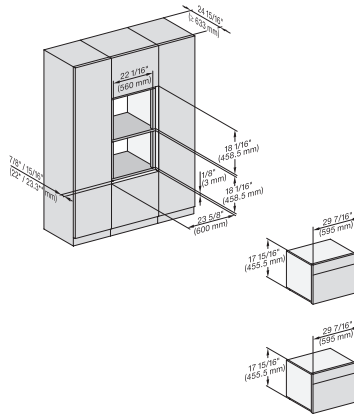
24" Compact Combi-Steam Oven XL

for steam cooking, baking, roasting with roast probe + menu cooking.



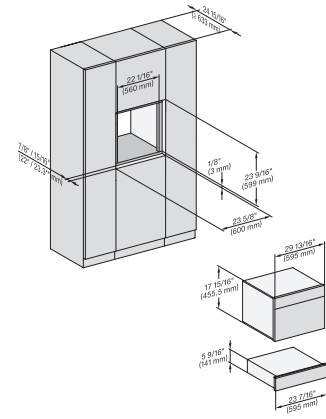
DGC7x4x, ESW7x10, EVS7010, side view, 30 Zoll, Flush inset, combi, XL

7/8" – 22" mm – Glass, 15/16" – 23.3" mm – Stainless steel



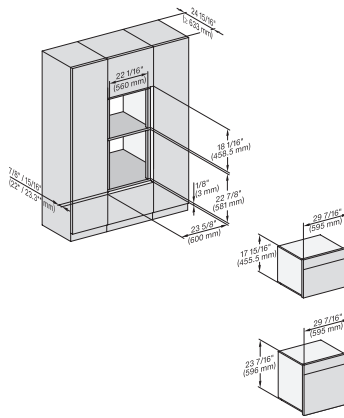
DGC7x4x, H7x40BM, Einbau, 30 Zoll, Flush inset, combi 450S

7/8" – 22" mm – Glass, 15/16" – 23.3" mm – Stainless steel



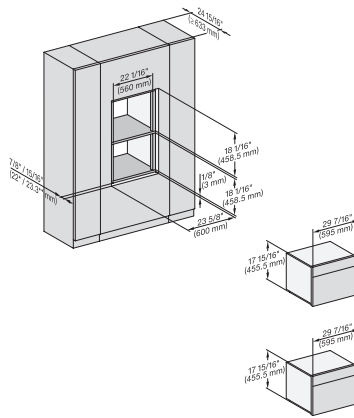
DGC7x40, DGC7485, H7x40BM, ESW7x10, EVS7010, Einbau 30 Zoll, Flush inset, combi, 450S

7/8" – 22" mm – Glass, 15/16" – 23.3" mm – Stainless steel



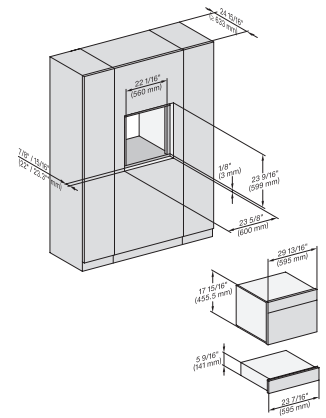
DGC7x4x, H7x40BM, H7x6xBP, Einbau, 30 Zoll Flush inset, combi, 650S, 450S

7/8" – 22" mm – Glass, 15/16" – 23.3" mm – Stainless steel



DGC7x4x, DGC7485, H7x40BM, Einbau, 30 Zoll, Flush inset, combi, wide front, 450S

7/8" – 22" mm – Glass, 15/16" – 23.3" mm – Stainless steel



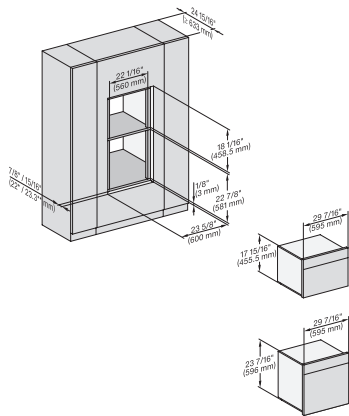
DGC7xxx, H7x40BM, ESW7x10, EVS7010, Einbau, 30 Zoll, Flush inset, combi, wide front, 450S

7/8" – 22" mm – Glass, 15/16" – 23.3" mm – Stainless steel

DGC 7840 AM

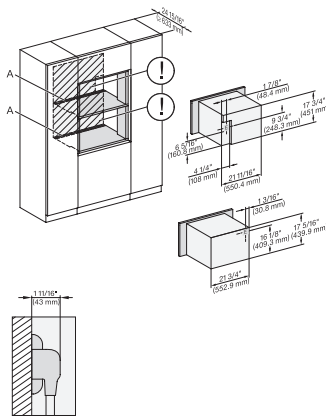
24" Compact Combi-Steam Oven XL

for steam cooking, baking, roasting with roast probe + menu cooking.



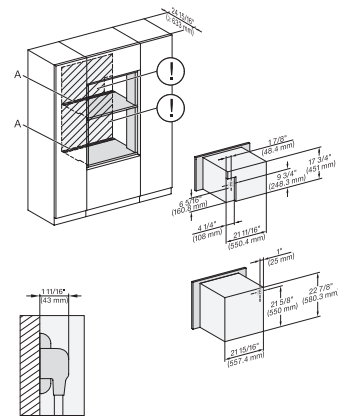
DGC7xxx, H7x40BM, H7x6xBP, Einbau, 30 Zoll, Flush inset, combi, wide front, 650S, 450S

7/8" – 22" mm – Glass, 15/16" – 23.3** mm – Stainless steel



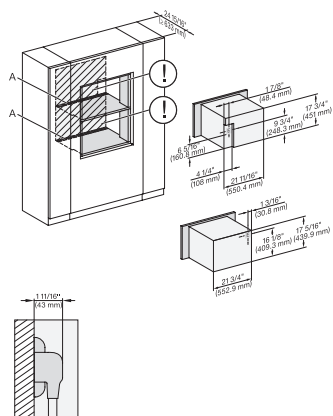
DGC7xxx+EBA7848, H7x40BM(+EBA7848), Installation, 30 Zoll, Flushinset, combi, XL, 450S

A – Cut-out (4" x 28" / 100 mm x 720 mm) in the bottom of the cabinet for power cord and ventilation. – Electrical and water supplies are recommended to be placed in adjacent cabinetry., Additional cabinet depth is required when placing the electrical and water supplies behind the appliance., E = Electric connection



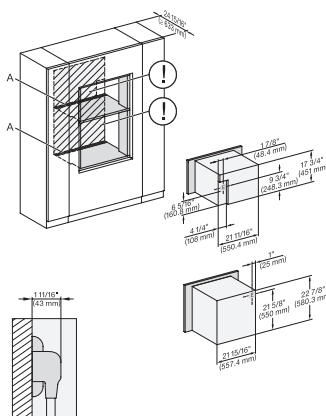
DGC7x4(+EBA7848), H7x6xBP(+EBA7848), Installation, 30 Zoll, Flush inset, combi, XL, 650S

A – Cut-out (4" x 28" / 100 mm x 720 mm) in the bottom of the cabinet for power cord and ventilation. – Electrical and water supplies are recommended to be placed in adjacent cabinetry., Additional cabinet depth is required when placing the electrical and water supplies behind the appliance., E = Electric connection



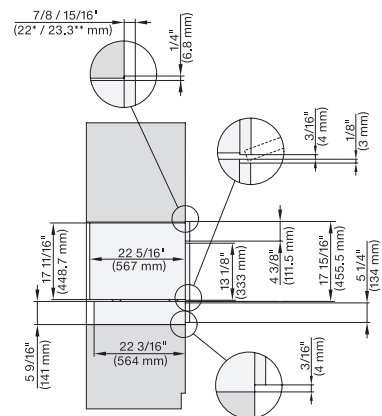
DGC7x40(+EBA7848), H7x40BM(+EBA7848), H7840+EBA6808, Installation, 30 Zoll, flush inset, combi, wide front, XL, 450S

A – Cut-out (4" x 28" / 100 mm x 720 mm) in the bottom of the cabinet for power cord and ventilation. – Electrical and water supplies are recommended to be placed in adjacent cabinetry., Additional cabinet depth is required when placing the electrical and water supplies behind the appliance., E = Electric connection



DGC7x4(+EBA7848), H7x6x(+EBA7848), Installation, 30 Zoll, flush inset, combi, wide front, XL, 650S

A – Cut-out (4" x 28" / 100 mm x 720 mm) in the bottom of the cabinet for power cord and ventilation. – Electrical and water supplies are recommended to be placed in adjacent cabinetry., Additional cabinet depth is required when placing the electrical and water supplies behind the appliance., E = Electric connection



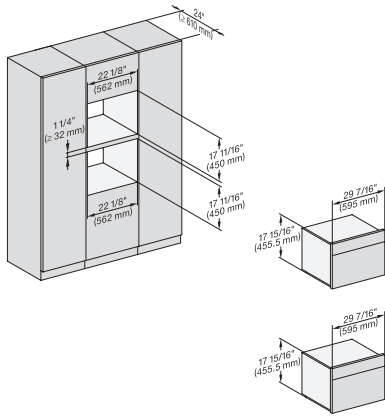
DGC7x40, ESW7x10, EVS7010, side view, 30 Zoll, Proud, combi, XL

7/8" – 22" mm – Glass, 15/16" – 23.3** mm – Stainless steel

DGC 7840 AM

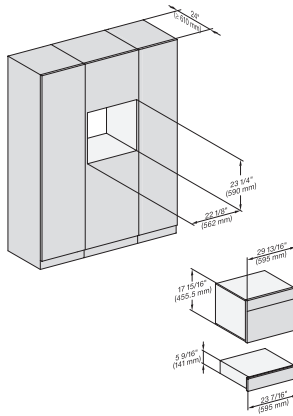
24" Compact Combi-Steam Oven XL

for steam cooking, baking, roasting with roast probe + menu cooking.



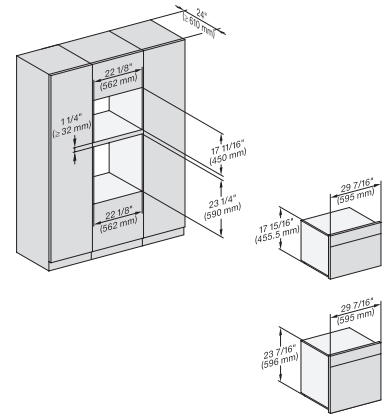
DDGC7xxx, H7x40BM, Einbau, 30 Zoll, Proud, combi, 450S

7/8" – 22" mm – Glass, 15/16" – 23.3" mm – Stainless steel



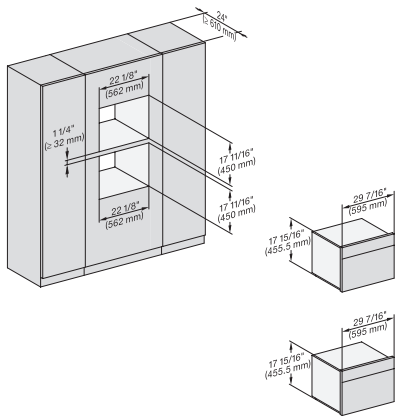
DGC7xxx, H7x40BM, ESW7x10, EVS, Einbau, 30 Zoll, Proud, combi, 450S

7/8" – 22" mm – Glass, 15/16" – 23.3" mm – Stainless steel

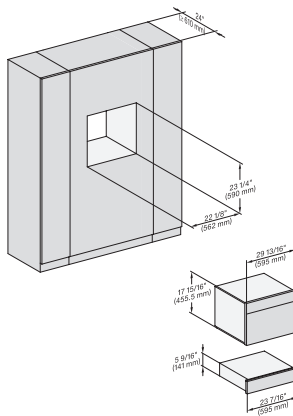


DGC7xxx, H7x4xBM, H7x6xBP, Einbau, 30 Zoll, Proud, combi, 650S, 450S

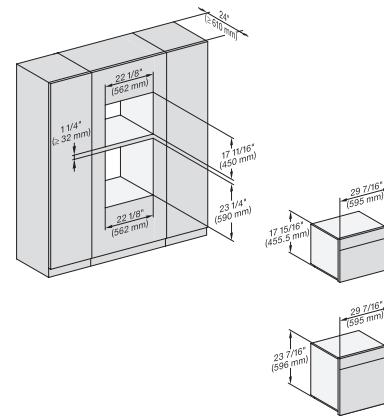
7/8" – 22" mm – Glass, 15/16" – 23.3" mm – Stainless steel



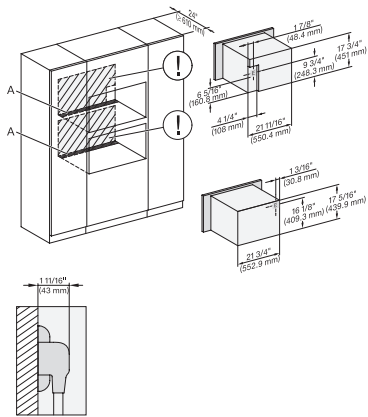
DGC7x4x, H7x40BM, Einbau, 30 Zoll, Proud, combi, wide front, 450S



DGC7x4x, H7x40BM, ESW7x10, EVS7010, Einbau, 30 Zoll, Proud, combi, wide front, 450S

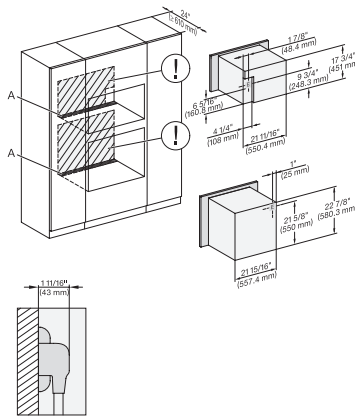


DGC7x4x, H7x40BM, H7x6xBP, Einbau, 30 Zoll, Proud, combi, wide front, 650S, 450S



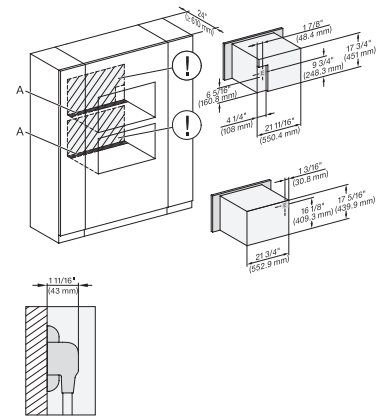
DGC7x4x(+EBA7848), H7x40BM(+EBA7848), Installation, 30 Zoll, Proud, combi, XL, 450S

A – Cut-out (4" x 28" / 100 mm x 720 mm) in the bottom of the cabinet for power cord and ventilation. – Electrical and water supplies are recommended to be placed in adjacent cabinetry. Additional cabinet depth is required when placing the electrical and water supplies behind the appliance. E = Electric connection



DGC7x4x(+EBA7848), H7x6x(+EBA7848), Installation, 30 Zoll, Proud, combi, XL, 650S

A – Cut-out (4" x 28" / 100 mm x 720 mm) in the bottom of the cabinet for power cord and ventilation. – Electrical and water supplies are recommended to be placed in adjacent cabinetry. Additional cabinet depth is required when placing the electrical and water supplies behind the appliance. E = Electric connection



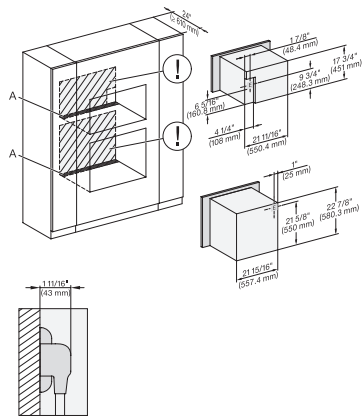
DGC7x4x(+EBA7848), H7x40BM(+EBA7848), Installation, 30 Zoll, Proud, combi, wide front XL, 450S

A – Cut-out (4" x 28" / 100 mm x 720 mm) in the bottom of the cabinet for power cord and ventilation. – Electrical and water supplies are recommended to be placed in adjacent cabinetry. Additional cabinet depth is required when placing the electrical and water supplies behind the appliance. E = Electric connection

DGC 7840 AM

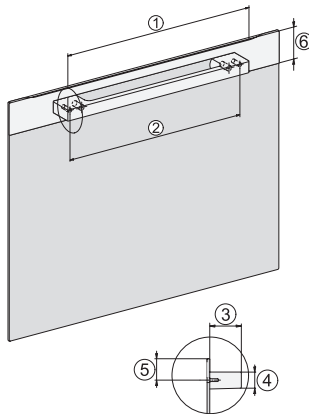
24" Compact Combi-Steam Oven XL

for steam cooking, baking, roasting with roast probe + menu cooking.



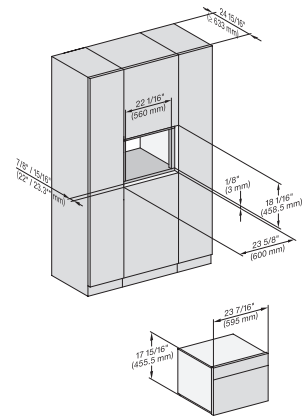
DGC7x4x(+EBA7848), H7x6xBP(+EBA7848), Installation, 30 Zoll, Proud, combi, wide front, 650S

A – Cut-out (4" x 28" / 100 mm x 720 mm) in the bottom of the cabinet for power cord and ventilation. – Electrical and water supplies are recommended to be placed in adjacent cabinetry. Additional cabinet depth is required when placing the electrical and water supplies behind the appliance. E = Electric connection



Handle DGC74xx, DGC76xx, DGC78xx, PureLine – NA7000 - Installation drawing

DGC7470, DGC7670, DGC7870, DGC7875, DGC7680, DGC7685, DGC7880, DGC7885; 19 11/16" / 500 mm, 17 1/2" / 444 mm, 1 7/8" / 47 mm, 15/16" / 24 mm, 1 1/4" / 32,5 mm, 2 9/16" / 65 mm, , DGC7440, DGC7640, DGC7840, DGC7845, DGC7860, DGC7865; 15 3/4" / 400 mm, 14 3/16" / 360 mm, 1 7/8" / 47 mm, 15/16" / 24 mm, 1 1/4" / 32,5 mm, 2 9/16" / 65 mm



installation Flush inset 450S, installation drawing, NA

7/8" – 22" mm – Glass, 15/16" – 23.3" mm – Stainless steel, DGC: Minimum installation height 36" – 914 mm from floor to the device installation surface