



Designer Series Undercounter Wine Storage *Installation Guide*



SPECIFICATIONS, INSTALLATION,
AND MORE



Contents

3	Designer Series Undercounter Wine Storage
4	Opening Dimensions
6	Electrical Requirements
7	Preparation
7	Anti-Tip Bracket
8	90° Door Stop
8	Placement
9	Alignment
10	Door Panel
12	Panel Installation
14	Completion

Features and specifications are subject to change at any time without notice. Visit subzero.com/specs for the most up-to-date information.

Important Note

To ensure this product is installed and operated as safely and efficiently as possible, take note of the following types of highlighted information throughout this guide:

IMPORTANT NOTE highlights information that is especially important.

CAUTION indicates a situation where minor injury or product damage may occur if instructions are not followed.

WARNING states a hazard that may cause serious injury or death if precautions are not followed.

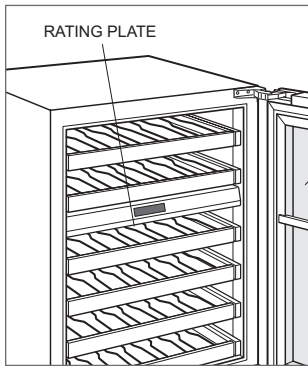
IMPORTANT NOTE: Throughout this guide, dimensions in parentheses are millimeters unless otherwise specified.

IMPORTANT NOTE: Save these instructions for the local electrical inspector.

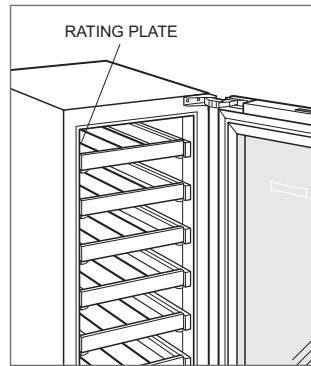
Product Information

Important product information, including the model and serial number, are listed on the product rating plate. For the 24" model, the rating plate is located on the underside of the control panel, on the left. For the 15" model, it is located inside the cabinet, in the upper left. Refer to the illustrations below.

If service is necessary, contact Sub-Zero Factory Certified Service with the model and serial number. For the name of the nearest Sub-Zero Factory Certified Service or for questions regarding the installation, visit the Product Support section of our website, subzero.com, or call Sub-Zero Customer Care at 800-222-7820.



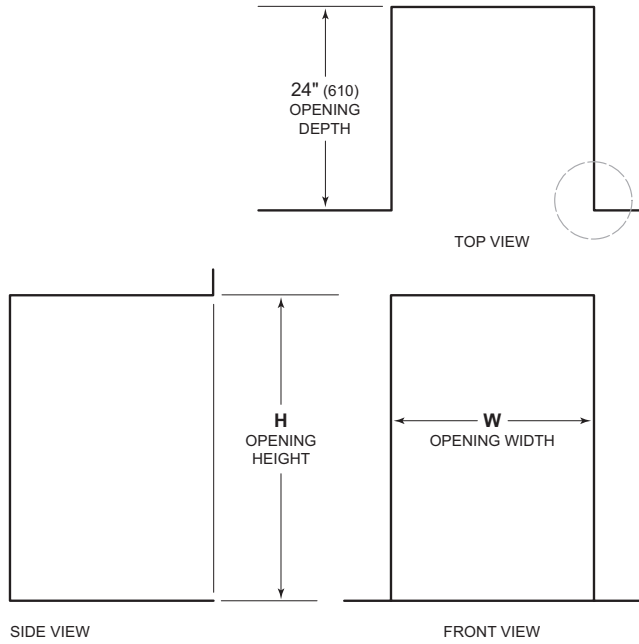
Rating plate location
(24" model)



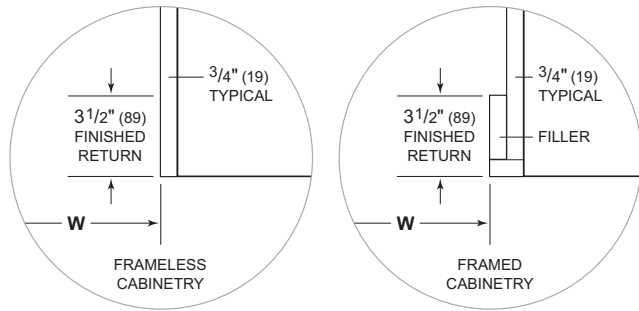
Rating plate location
(15" model)

Opening Dimensions

UNDERCOUNTER WINE STORAGE MODELS



NOTE: 3 1/2" (89) finished returns will be visible and should be finished to match cabinetry.



OPENING DIMENSIONS

	W	H
24" Model (standard height)	24" (610)	34 1/2" (876)
24" Model (ADA height)	24" (610)	32 1/2" (826)
15" Model (standard height)	15" (381)	34 1/2" (876)

The depth of each model is 23 1/8" (587). Allow for panel thickness when planning the finished opening depth. A minimum 3 1/2" (89) finished return is required on all sides of the opening. Framed cabinets require additional finished filler material behind the face frame for a proper installation. Refer to the illustration.

Opening Dimensions

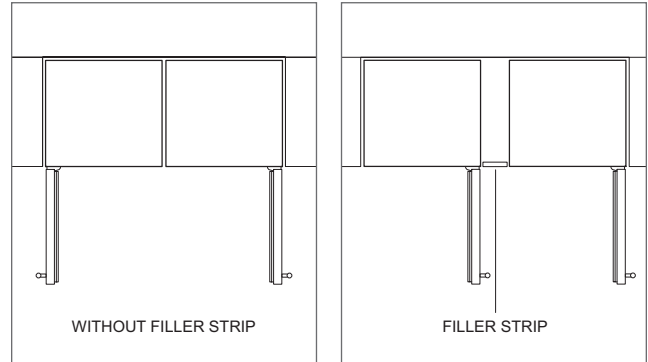
DUAL INSTALLATION

If two units are installed side by side, a dual installation kit may be required. Installations without a custom filler strip require a dual installation kit. If a dual installation kit is not specified, a 2" (51) filler strip is recommended between the units. Dual installations without a filler strip can only be accomplished using two units with opposite hinges. Refer to the illustrations.

Dual installation kits are available through an authorized Sub-Zero dealer. For local dealer information, visit the find a showroom section of our website, subzero.com. For questions regarding the installation, call Sub-Zero Customer Care at 800-222-7820.

DUAL OPENING WIDTH	W
Two 15" Models	30" (762)
15" and 24" Models	39" (991)
Two 24" Models	48" (1219)

Dual installation kit required.



Opposite hinges

Same side hinges

Electrical Requirements

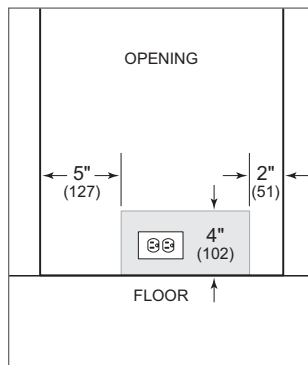
Installation must comply with all applicable electrical codes.

The electrical supply should be located within the shaded area shown in the illustration below. A separate circuit servicing only this appliance is required. A ground fault circuit interrupter (GFCI) is not recommended and may cause interruption of operation.

The electrical outlet must be positioned with the grounding prong to the right of the thinner blades.

ELECTRICAL REQUIREMENTS

Electrical Supply	115 VAC, 60 Hz
Service	15 amp dedicated circuit
Receptacle	3-prong grounding-type



Electrical supply location

⚠ CAUTION

The outlet must be checked by a qualified electrician to be sure it is wired with the correct polarity. Verify the outlet is properly grounded.

⚠ WARNING

If the supply cord is damaged, it must be replaced by the manufacturer, its service agent or similarly qualified persons in order to avoid a hazard.

⚠ WARNING

Do not locate multiple portable socket-outlets, power strip, or portable power supplies at the rear of the appliance.

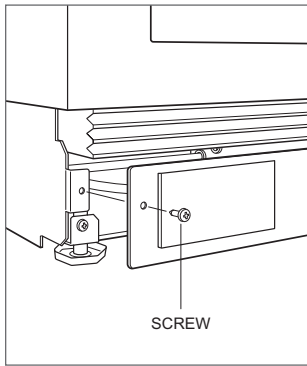
⚠ WARNING

Do not use an extension cord, two-prong adapter, or remove the power cord ground prong.

Preparation

Uncrate the unit and inspect for damage. Remove and recycle packing materials. Do not discard the kickplate, anti-tip bracket, and hardware.

Remove the kickplate by extracting the two mounting screws. Refer to the illustration below.



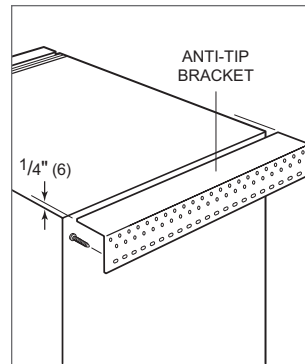
Kickplate removal

Anti-Tip Bracket

⚠ WARNING

To prevent the unit from tipping forward, the anti-tip bracket must be installed.

The anti-tip bracket should be attached to the wall behind the unit with the bracket flange located $\frac{1}{4}$ " (6) above the top of the unit. Refer to the illustration below. Failure to properly position the anti-tip bracket will prevent proper engagement.



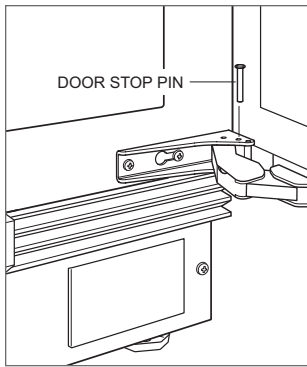
Anti-tip bracket

90° Door Stop

The door stop pins provided with the unit limit the door swing to 90°.

IMPORTANT NOTE: If a 90° door opening is desired, the pins must be installed prior to installing the unit into the opening.

To install, open the door to approximately 80°. Insert one pin into each hinge. Refer to the illustration below.



90° door stop

Placement

⚠ CAUTION

Before moving the unit into position, secure the door closed and protect any finished flooring.

⚠ WARNING

When positioning the appliance, ensure the supply cord is not trapped or damaged.

Use an appliance dolly to move the unit near the opening.

If the unit has been on its back or side, it must stand upright for a minimum of 24 hours before connecting power.

Plug the power cord into the grounded outlet and slide the unit into position. Verify the anti-tip bracket is properly engaged.

Alignment

LEVELING

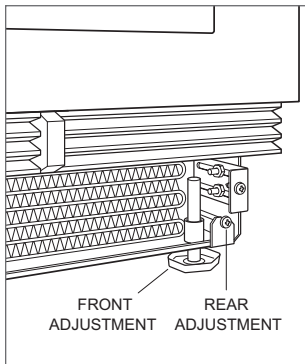
Once the unit is in position, rotate the front legs clockwise to raise and counterclockwise to lower. Rear height adjustment can be made from the front. Using a Phillips drive, turn clockwise to raise the unit or counterclockwise to lower. Use the lowest torque setting when using a power drill. Do not turn the leveling legs by hand. Refer to the illustration below.

When the unit is properly leveled, door adjustments are less likely to be necessary.

IMPORTANT NOTE: Level the unit to the floor, not the surrounding cabinetry. This could affect the operation of the unit, such as door closing.

⚠ WARNING

To reduce the possibility of the unit tipping forward, the front leveling legs must be in contact with the floor.



Leveling

ANCHORING

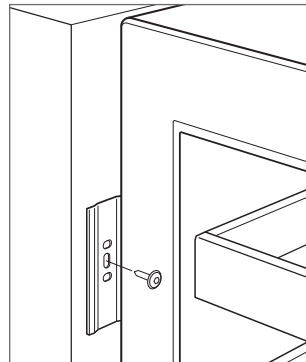
⚠ CAUTION

If using a power drill to predrill holes or install screws, verify the drill chuck does not contact the units face frame.

Adjust the depth of the unit to fit flush with the surrounding cabinetry. Allow for panel thickness. Once aligned, verify the door opens properly, then install a #8 x 1/2" flat-decorative head screw in each bracket.

⚠ WARNING

To avoid a hazard due to instability of the appliance, it must be fixed in accordance with the instructions.



Anchoring

Stainless Steel Panel

Stainless steel door panels are available through an authorized Sub-Zero dealer. For local dealer information, visit the find a showroom section of our website, subzero.com.

Minimum 1/8" (3) reveals are required.

Custom Panel

A custom door panel and handle hardware must be installed.

A 5/8" (16) minimum to 3/4" (19) maximum thick panel is required. The panel cannot exceed the maximum panel weight indicated in the chart below. The depth of each model is 23 1/8" (587). Allow for panel thickness when planning the finished opening depth.

Minimum 1/8" (3) reveals are required.

PANEL WEIGHT	MAX
24" Model	22 lb (10 kg)
15" Model	15 lb (7 kg)

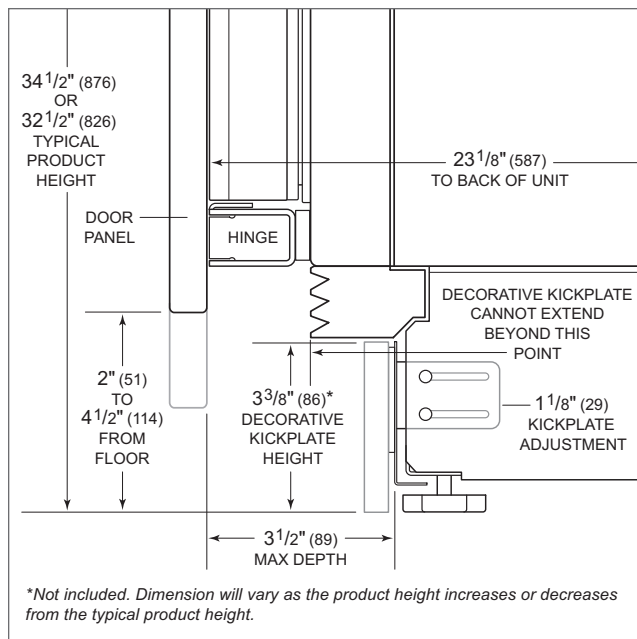
Finish all sides of the custom panel. They will be visible when the door is open.

A D-style handle is recommended. Locate the door handle near the edge of the panel opposite the hinge and centered top to bottom. Stainless steel tubular and pro handles are available through an authorized Sub-Zero dealer. For local dealer information, visit the find a showroom section of our website, subzero.com.

Custom Panel

TOE KICK CLEARANCE

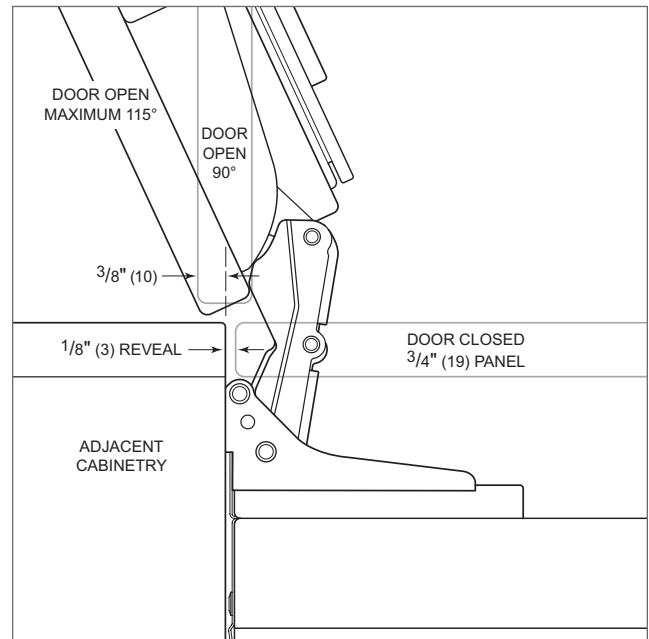
The height of the toe kick area can extend beyond the typical toe kick height, provided it does not exceed the dimensions in the illustration below. For questions regarding the installation, call Sub-Zero Customer Care at 800-222-7820.



Toe kick clearance (side view)

MAXIMUM DOOR OPENING

As the panel width and/or depth increases, so does the potential for panel interference. Interference may be minimized by using the 90° door stop.



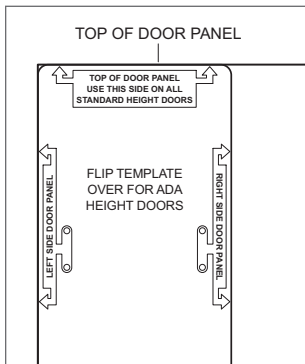
Maximum door opening (top view)

Panel Installation

DOOR PANEL INSTALLATION

Placement of the template must be adjusted for panels exceeding the typical dimensions.

Place the panel face down on a protected work surface. Position the template flush with the top and sides of the panel. Verify the correct side of the template is being used, then mark and drill pilot holes. Refer to the illustration below.



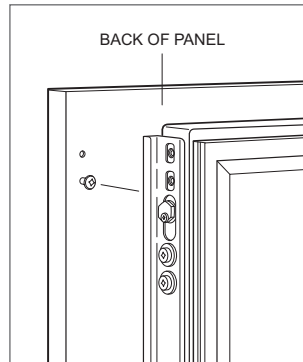
Door panel template

Use a Torx drive to partially insert a #8 x 1/2" screw into the second hole from the top on each side of the panel. The screws should be approximately 3/16" (4) proud of the panel and will support the weight of the panel during installation.

Align the support screws on the back of the panel with the slotted holes on both door mounting brackets. Refer to the illustration below. Opening the door slightly may help with alignment. Once the panel is supported by the screws, partially insert a #8 x 1/2" screw into the second hole from the bottom on each side of the panel, but do not tighten.

⚠ CAUTION

As reveals between cabinetry and the unit decrease, severe finger pinching can occur while the door is closing.



Door panel mounting

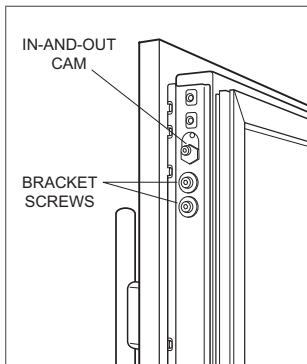
Panel Installation

DOOR PANEL ADJUSTMENT

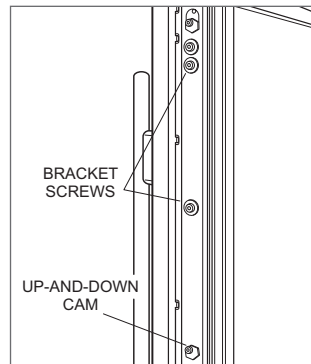
Close the door. Make any necessary adjustments to align the panel and reveals.

For side-to-side adjustment, move the panel side to side, then install and tighten all mounting screws.

For up-and-down and in-and-out adjustments, slightly loosen the bracket screws. Depending on the level of adjustment required, it may be helpful to loosen all of the bracket screws which will allow for maximum adjustment. Once the bracket screws are loosened, use a wrench to rotate the cams to make adjustments. After the adjustments have been made, tighten all bracket screws. Refer to the illustrations below.



In-and-out adjustment



Up-and-down adjustment

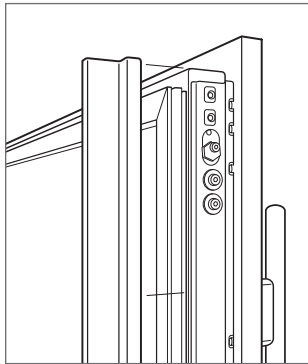
Completion

DOOR TRIM INSTALLATION

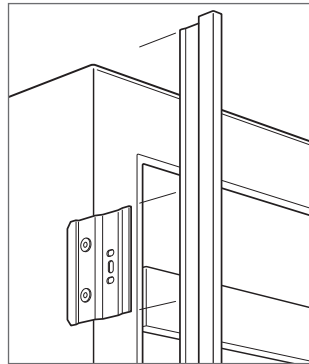
After the door panel has been adjusted, install the decorative side trim to the door. To install, start at the top and align the trim with the front and rear flanges on the bracket, then snap into place by pushing the trim toward the back of the panel. Once the top is secure, continue the installation downward until the remaining trim is completely secure. Refer to the illustration below.

SIDE TRIM INSTALLATION

Install the decorative trim strip to the handle side of the unit. The side trim snaps over the brackets attached to the handle side of the unit. Refer to the illustration below.



Door side trim



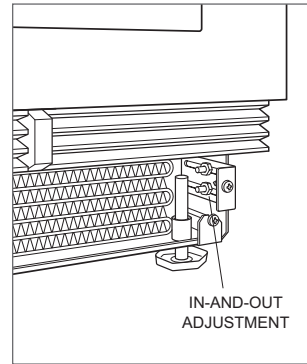
Unit side trim

KICKPLATE INSTALLATION

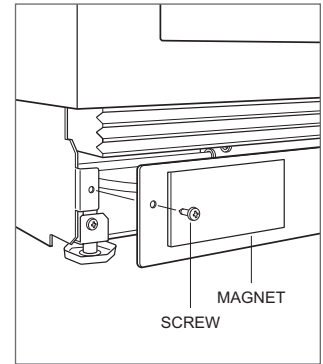
The kickplate must be removable for service. The floor cannot interfere with removal. Finger-tighten the adjustment bracket nuts. Refer to the illustration below. Make in-and-out adjustments, then wrench-tighten the bracket nuts. Install the kickplate with the provided screws.

A decorative kickplate can be attached to the factory-installed kickplate. The three rows of vented louvers cannot be covered.

To install a decorative kickplate, remove the paper backing from the magnets and attach the decorative kickplate to the magnets. The magnets allow the decorative kickplate to be removed if necessary.



Kickplate adjustment



Kickplate installation

Completion

⚠ WARNING

Follow all city and state laws when storing, recycling, or discarding unused refrigerators and freezers.

Contenido

- 3 Almacenamiento de vinos bajo el mostrador de la Serie de Diseño
- 4 Dimensiones de abertura
- 6 Requisitos eléctricos
- 7 Preparación
- 7 Soporte antivuelco
- 8 Tope para puerta a 90°
- 8 Colocación
- 9 Alineación
- 10 Panel de la puerta
- 12 Instalación del panel
- 14 Finalización

Las características y especificaciones están sujetas a cambios sin previo aviso. Visite subzero.com/specs para obtener la información más actualizada.

Aviso importante

Para garantizar que este producto se instale y opere de la forma más segura y eficiente posible, tome nota de los siguientes tipos de información resaltada en este manual:

AVISO IMPORTANTE señala la información que es especialmente importante.

PRECAUCIÓN indica una situación en la que se pueden sufrir heridas leves o provocar daños al producto si no se siguen las instrucciones.

ADVERTENCIA indica peligro de que se produzcan heridas graves o incluso la muerte si no se siguen las precauciones.

AVISO IMPORTANTE: En toda esta guía, las dimensiones entre paréntesis son milímetros, a menos que se especifique lo contrario.

AVISO IMPORTANTE: Guarde estas instrucciones para el inspector eléctrico local.

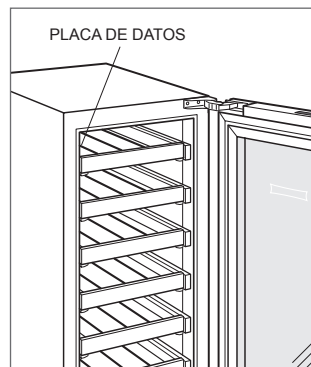
Información del producto

La información importante del producto, incluidos el modelo y el número de serie de la unidad, se encuentra en la placa de datos del producto. Para el modelo de 24", la placa de características está ubicada en la parte inferior del panel de control, a la izquierda. Para el modelo de 15", está ubicada dentro del gabinete, en la parte superior izquierda. Consulte las ilustraciones siguientes.

Si necesita servicio, póngase en contacto con el centro de servicio autorizado de Sub-Zero y tenga a la mano el modelo y número de serie de la máquina. Para obtener los datos del centro de servicio autorizado de Sub-Zero más cercano o si tiene preguntas acerca de la instalación, visite la sección de soporte técnico en nuestra página de Internet subzero.com o llame a la línea de atención al cliente de Sub-Zero al 800-222-7820.



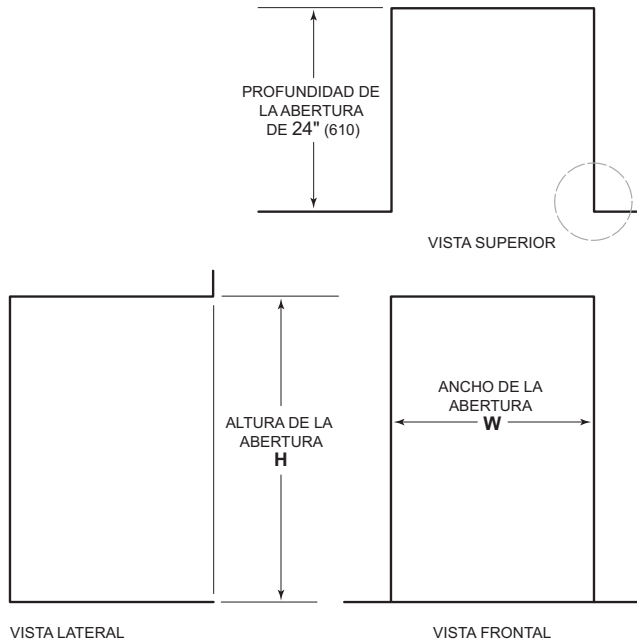
Ubicación de la placa de datos (modelo de 24")



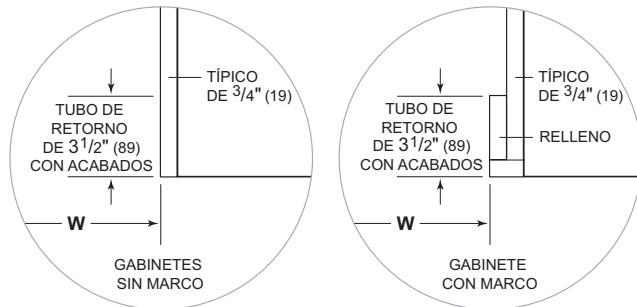
Ubicación de la placa de datos (modelo de 15")

Dimensiones de abertura

MODELOS DE ALMACENAMIENTO DE VINOS BAJO EL MOSTRADOR



NOTA: Los tubos de retorno de 3 1/2" (89) con acabados se podrán ver y se deben terminar para que se ajusten a los gabinetes.



DIMENSIONES DE ABERTURA	Ancho (W)	Altura (H)
Modelo de 24" (altura estándar)	24" (610)	34 1/2" (876)
Modelo de 24" (altura ADA)	24" (610)	32 1/2" (826)
Modelo de 15" (altura estándar)	15" (381)	34 1/2" (876)

La profundidad de cada modelo es de 23 1/8" (587). Para determinar la profundidad de la abertura ya con acabados, considere el grosor del panel. Se necesita un tubo de retorno de 3 1/2" (89) con acabados en todos los lados de la abertura. Los gabinetes con marco necesitan material de relleno de acabado detrás del marco frontal para lograr una instalación adecuada. Consulte la ilustración.

Dimensiones de abertura

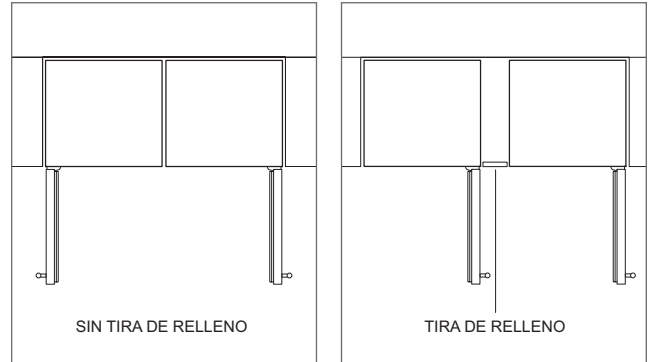
INSTALACIÓN DOBLE

Si se instalan dos unidades lado a lado, puede ser necesario un kit de instalación doble. Las instalaciones sin una tira de relleno personalizada requieren un kit de instalación doble. Si el uso de un kit de instalación doble no está especificado, se recomienda utilizar una tira de relleno de 2" (51) entre las unidades. Las instalaciones dobles sin una tira de relleno solo se pueden realizar cuando se utilizan dos unidades con bisagras opuestas. Consulte las ilustraciones.

Los kits de instalación doble están disponibles a través de un distribuidor autorizado de Sub-Zero. Para obtener más información acerca de los distribuidores locales, consulte la sección "encuentre una sala de exhibición" en nuestra página web subzero.com. Para preguntas sobre la instalación, comuníquese con la línea de atención al cliente de Sub-Zero al 800-222-7820.

ANCHURA DE ABERTURA DOBLE	Ancho (W)
Dos modelos de 15"	30" (762)
Modelos de 15" y 24"	39" (991)
Dos modelos de 24"	48" (1219)

Se requiere kit de instalación doble.



Bisagras opuestas

Bisagras en el mismo lado

Requisitos eléctricos

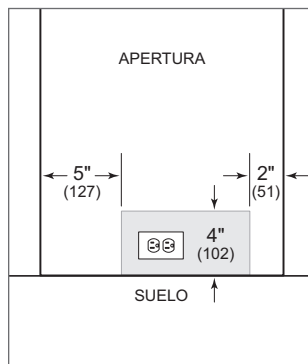
La instalación debe cumplir con todos los códigos eléctricos vigentes.

El suministro eléctrico debe colocarse dentro del área sombreada que se muestra en la siguiente ilustración. Se necesita un circuito independiente que le suministre electricidad únicamente a este electrodoméstico. No es recomendable utilizar un circuito de fallos de conexión a tierra (GFCI, por sus siglas en inglés) ya que puede interrumpir el funcionamiento de la unidad.

El tomacorriente eléctrico debe colocarse de tal forma que la clavija con conexión a tierra quede a la derecha de las otras dos clavijas.

REQUISITOS ELÉCTRICOS

Suministro eléctrico	115 V CA, 60 Hz
Servicio	Circuito dedicado de 15 amperes
Receptáculo	Conexión a tierra de 3 clavijas



Ubicación del suministro eléctrico

⚠ PRECAUCIÓN

Un electricista calificado debe revisar el tomacorriente para asegurarse de que la conexión del cableado se haya realizado con la polaridad correcta. Compruebe que el tomacorriente esté debidamente conectado a tierra.

⚠ ADVERTENCIA

Si el cable de alimentación está dañado, debe ser reemplazado por el fabricante, su agente de servicio o personas calificadas de manera similar para evitar un peligro.

⚠ ADVERTENCIA

No coloque múltiples tomas de corriente, enchufe múltiple o suministros eléctricos portátiles en la parte posterior del electrodoméstico.

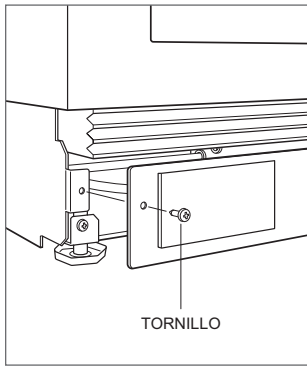
⚠ ADVERTENCIA

No use un cable de extensión, adaptador de dos clavijas ni retire la clavija con conexión a tierra del cable de corriente.

Preparación

Desembale la unidad e inspeccione si tiene algún daño. Retire y recicle los materiales de embalaje. No deseche el zócalo, el soporte antivuelco ni las piezas de montaje.

Para quitar el zócalo extraiga los dos tornillos para montaje. Consulte la siguiente ilustración.



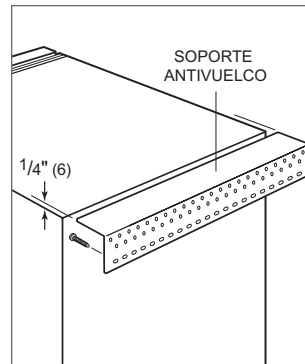
Extracción del zócalo

Soporte antivuelco

⚠ ADVERTENCIA

Para evitar que la unidad se vuelque hacia el frente, debe instalarse el soporte antivuelco.

El soporte antivuelco debe sujetarse a la pared detrás de la unidad con la pestaña del soporte ubicada a un 1/4" (6) por arriba de la parte superior de la unidad. Consulte la siguiente ilustración. No colocar correctamente el soporte antivuelco impedirá que la unidad quede bien enganchada.



Soporte antivuelco

Tope para puerta a 90°

Los pasadores del tope de la puerta proporcionados con la unidad limitarán el giro de la puerta a 90°.

AVISO IMPORTANTE: Si se desea tener una abertura de puerta de 90°, se deben instalar los pasadores antes de instalar la unidad en la abertura.

Para instalar, abra la puerta a aproximadamente 80°. Inserte un pasador en cada bisagra. Consulte la siguiente ilustración.



Tope para puerta a 90°

Colocación

⚠ PRECAUCIÓN

Antes de mover la unidad a su posición, asegúrese de que la puerta esté cerrada y proteja cualquier suelo con acabado.

⚠ ADVERTENCIA

Cuando coloque el electrodoméstico, asegúrese de que el cable de alimentación no esté atrapado ni dañado.

Use una plataforma rodante para mover la unidad cerca de la abertura.

Si la unidad ha estado o está acostada o de lado, debe ponerla de pie y dejarla así durante un mínimo de 24 horas antes de conectarla al suministro eléctrico.

Conecte el cable de alimentación a la conexión a tierra y deslice la unidad en su sitio. Compruebe que el soporte antivuelco esté bien enganchado.

Alineación

NIVELACIÓN

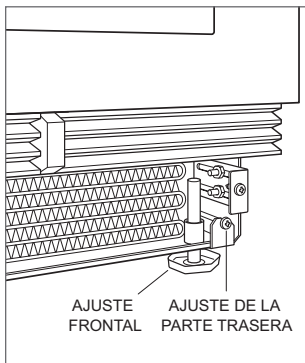
Una vez que la unidad esté en su lugar, gire las patas frontales en sentido de las agujas del reloj para elevar y en sentido contrario a las agujas del reloj para bajar. El ajuste de la altura de la parte posterior se puede realizar desde la parte delantera. Con un destornillador Phillips, gire en sentido de las manecillas del reloj para levantar la unidad o en sentido opuesto de las manecillas del reloj para bajarla. Utilice la velocidad más baja de torsión cuando utilice un taladro eléctrico. No ajuste las patas niveladoras con la mano. Consulte la siguiente ilustración.

Cuando la unidad esté bien nivelada, será menos probable que tenga que ajustar las puertas.

AVISO IMPORTANTE: Nivele la unidad con el suelo, no con los gabinetes que la rodean. Esto podría afectar el funcionamiento de la unidad, por ejemplo, el cerrado de la puerta.

⚠ ADVERTENCIA

Para reducir la posibilidad de que la unidad se vuelque hacia adelante, las patas niveladoras delanteras deben estar en contacto con el suelo.



Nivelación

ANCLAJE

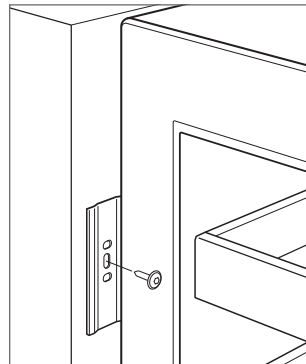
⚠ PRECAUCIÓN

Si va a utilizar un taladro eléctrico para hacer orificios o instalar tornillos, verifique que el portabrocas no entre en contacto con el marco de la cara de la unidad.

Ajuste la profundidad de la unidad para que quede al ras con los gabinetes que la rodean. Hay que tener en cuenta el grosor del panel. Una vez alineado, verifique que la puerta se abra correctamente, luego instale un tornillo de cabeza decorativa plana #8 x 1/2" en cada soporte.

⚠ ADVERTENCIA

Para evitar un peligro debido a la inestabilidad del electrodoméstico, se debe fijar este de acuerdo con las instrucciones.



Anclaje

Panel de acero inoxidable.

Están disponibles paneles de puerta de acero inoxidable mediante los distribuidores autorizados Sub-Zero. Para obtener más información acerca de los distribuidores locales, consulte la sección "encuentre una sala de exhibición" en nuestra página web subzero.com.

Se requiere un mínimo de margen de 1/8" (3).

Panel personalizado

Deben instalarse paneles de puerta personalizados y herrajes de manijas.

Se requiere un panel de grosor mínimo de 5/8" (16) a un máximo de 3/4" (19). El panel no puede exceder el máximo peso del panel indicado en la tabla siguiente. La profundidad de cada modelo es de 23 1/8" (587). Para determinar la profundidad de la abertura ya con acabados, considere el grosor del panel.

Se requiere un mínimo de margen de 1/8" (3).

PESO DEL PANEL	MÁX
Modelo de 24"	22 lb (10 kg)
Modelo de 15"	15 lb (7 kg)

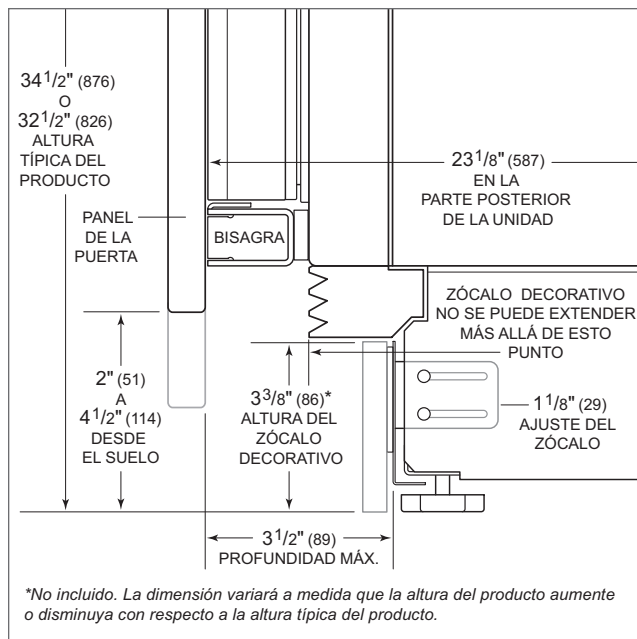
Aplique el acabado a todos los lados de los paneles personalizados. Estos serán visibles con la puerta abierta.

Se recomienda usar manijas estilo D. Ubique las manijas de las puertas cerca del borde del panel opuesto a la bisagra y centre entre los extremos superior e inferior. Están disponibles manijas tubulares y pro de acero inoxidable con los distribuidores autorizados Sub-Zero. Para obtener más información acerca de los distribuidores locales, consulte la sección "encuentre una sala de exhibición" en nuestra página web subzero.com.

Panel personalizado

ESPACIO DEL ZÓCALO

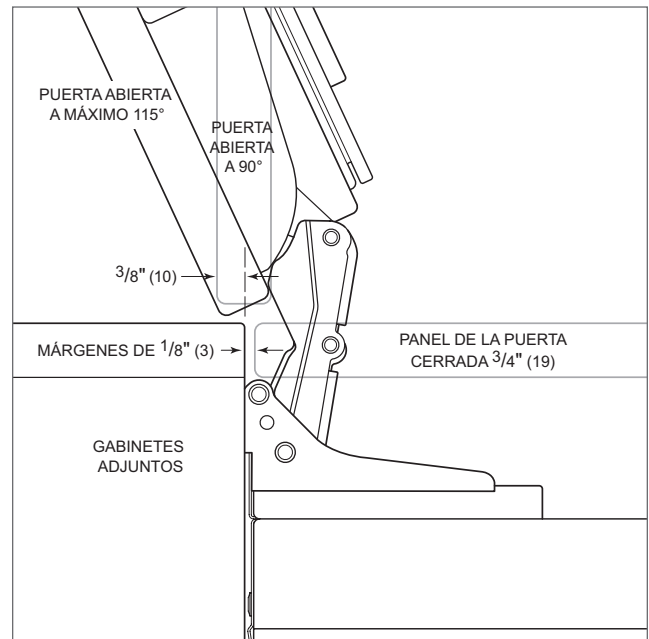
La altura de la zona del zócalo puede ser mayor que la altura típica, siempre y cuando no se excedan las dimensiones de la ilustración siguiente. Para preguntas sobre la instalación, comuníquese con la línea de atención al cliente de Sub-Zero al 800-222-7820.



Separación del zócalo (vista lateral)

ABERTURA MÁXIMA DE LA PUERTA

A medida que el ancho o la profundidad del panel aumenta, también lo hace el potencial de interferencia del panel. Se puede minimizar la interferencia al usar un tope para puerta a 90°.



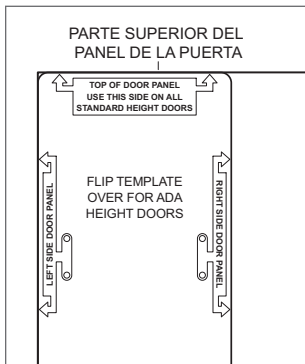
Abertura de la puerta a máximo (vista superior)

Instalación de los paneles

INSTALACIÓN DEL PANEL DE LA PUERTA

La colocación de la plantilla se debe ajustar para paneles que exceden las dimensiones típicas.

Coloque el panel boca abajo sobre una superficie de trabajo protegida. Coloque la plantilla a ras con la parte superior y los lados del panel. Compruebe que está usando el lado correcto de la plantilla, luego marque y perforo orificios piloto. Consulte la siguiente ilustración.



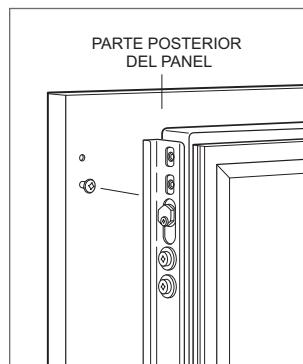
Plantilla del panel de la puerta

Utilice el destornillador Torx para insertar parcialmente un tornillo #8 x 1/2" en el segundo orificio desde la parte superior en cada lado del panel. Los tornillos deben sobresalir aproximadamente 3/16" (4) del panel y soportar el peso del panel durante la instalación.

Alinee los tornillos de soporte en la parte posterior del panel con los agujeros ranurados en los dos soportes de montaje de la puerta. Consulte la siguiente ilustración. Abrir la puerta un poco puede ayudar con la alineación. Una vez que el panel esté soportado por los tornillos, inserte parcialmente un tornillo #8 x 1/2" en el segundo orificio desde la parte inferior en cada lado del panel, pero no lo apriete.

⚠ PRECAUCIÓN

Mientras más disminuyan los márgenes entre los gabinetes y la unidad, al cerrarse la puerta se pueden pellizcar fuertemente los dedos.



Montaje del panel de la puerta

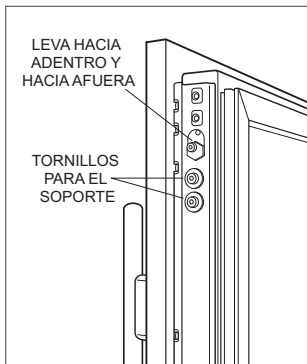
Instalación de los paneles

AJUSTE DEL PANEL DE LA PUERTA

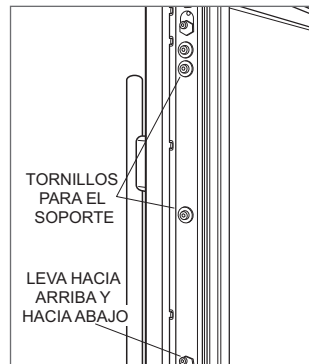
Cierre la puerta. Haga cualquier ajuste necesario para alinear el panel y los márgenes.

Para el ajuste de lado a lado, mueva el panel de lado a lado, luego instale y apriete todos los tornillos de montaje.

Para los ajustes de arriba y hacia abajo, y hacia adentro y hacia afuera, afloje un poco los tornillos del soporte. Dependiendo del nivel de ajuste requerido, puede ser útil aflojar todos los tornillos del soporte lo que permitirá un ajuste máximo. Una vez que ha aflojado los tornillos del soporte, use una llave hexagonal para girar las levas para realizar los ajustes. Después de realizar los ajustes, apriete todos los tornillos del soporte. Revise las siguientes ilustraciones.



Ajuste hacia adentro y hacia afuera



Ajuste hacia arriba y hacia abajo

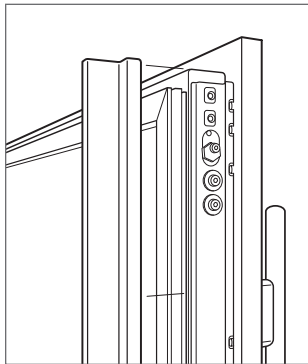
Finalización

INSTALACIÓN DEL RIBETE DE LA PUERTA

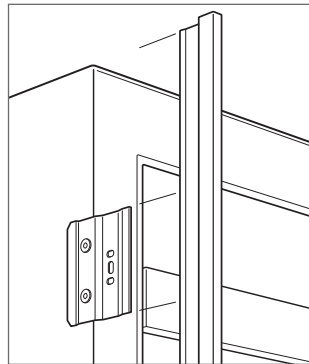
Una vez que el panel de la puerta haya sido ajustado, instale el lado decorativo del ribete en la puerta. Para instalarlo, comience en la parte superior alinee el ribete con las bridas frontal y posterior en el soporte y colóquelo a presión en su lugar, empujando el ribete hacia la parte posterior del panel. Una vez que la parte inferior está asegurada, siga la instalación hacia abajo hasta que el ribete restante esté completamente asegurado. Consulte la siguiente ilustración.

INSTALACIÓN DEL RIBETE LATERAL

Instale la tira de ribete decorativo en el lado de la manija de la unidad. El ribete lateral se abrocha sobre el soporte unido al lado de la manija de la unidad. Consulte la siguiente ilustración.



Ribete del lado de la puerta



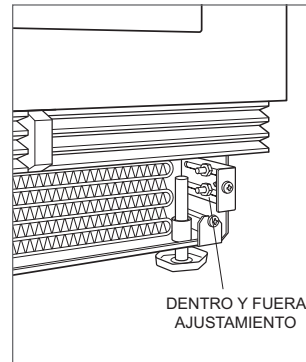
Ribete del lado de la unidad

INSTALACIÓN DEL ZÓCALO

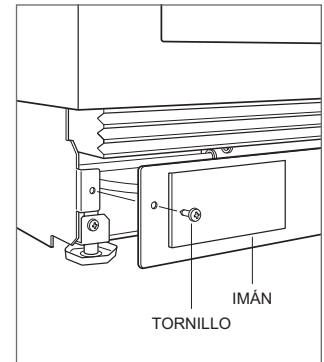
El zócalo debe ser desmontable para sacarlo cuando sea necesario hacerle servicio a la máquina. El suelo no debe interferir al desmontarlo. Apriete con los dedos las tuercas del soporte de ajuste. Consulte la siguiente ilustración. Haga ajustes hacia adentro y hacia afuera, luego apriete con llave las tuercas del soporte. Instale el zócalo con los tornillos proporcionados.

Se puede colocar un zócalo decorativa a el zócalo instalada de fábrica. Las tres filas de rejillas de ventilación no pueden ser cubiertas.

Para instalar un zócalo decorativo, retire el papel protector de los imanes y adhiera el zócalo decorativo a los imanes. Los imanes permiten retirar el zócalo decorativo si fuese necesario.



Ajuste del zócalo



Instalación del zócalo

Finalización

ADVERTENCIA

Siga todas las leyes estatales y locales para almacenar, reciclar o desechar los refrigeradores y congeladores no utilizados.

Table des matières

3	Cellier à vins sous le comptoir série Concepteur
4	Dimensions de l'ouverture
6	Exigences électriques
7	Préparation
7	Installation du support antibasculement
8	Butée de porte de 90°
8	Emplacement
9	Alignement
10	Panneau de porte
12	Installation du panneau
14	Achèvement

Les caractéristiques et les spécifications peuvent être modifiées en tout temps sans préavis. Visitez subzero.com/specs pour obtenir les renseignements les plus récents.

Remarque importante

Pour s'assurer que ce produit est installé et utilisé en toute sécurité et aussi efficacement que possible, prenez note des types de renseignement mis en évidence tout au long de ce guide :

REMARQUE IMPORTANTE met en évidence des renseignements qui sont particulièrement importants.

MISE EN GARDE indique une situation où une blessure mineure ou des dommages au produit peuvent se produire si les directives ne sont pas respectées.

AVERTISSEMENT décrit un danger qui peut causer une blessure grave ou la mort si les précautions ne sont pas respectées.

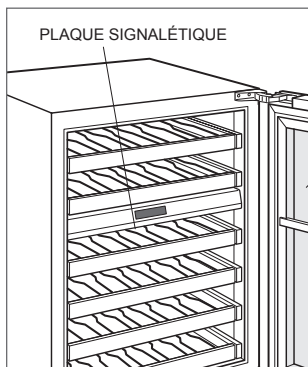
REMARQUE IMPORTANTE : Tout au long de ce guide, les dimensions entre parenthèses sont en millimètres à moins d'indication contraire.

REMARQUE IMPORTANTE : Conservez ces directives pour l'inspecteur en électricité local.

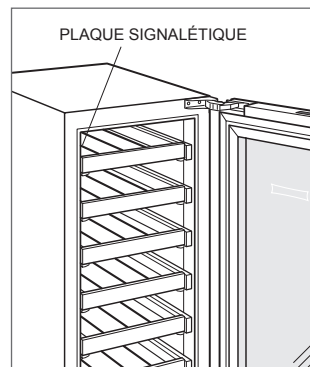
Renseignements sur le produit

Des renseignements importants sur le produit, y compris les numéros de modèle et de série, se trouvent sur la plaque signalétique du produit. Pour le modèle 24 po, la plaque signalétique est située sous le panneau de commande, à gauche. Pour le modèle 15 po, elle se trouve à l'intérieur du coffret, en haut à gauche. Reportez-vous aux illustrations ci-dessous.

Si vous avez besoin de service, communiquez avec le service Sub-Zero certifié par l'usine avec les numéros de modèle et de série. Pour obtenir le nom du centre de service Sub-Zero certifié par l'usine le plus près de chez vous ou si vous avez des questions concernant l'installation, consultez la section Assistance produits de notre site Web, subzero.com, ou appelez le service à la clientèle de Sub-Zero au 800-222-7820.



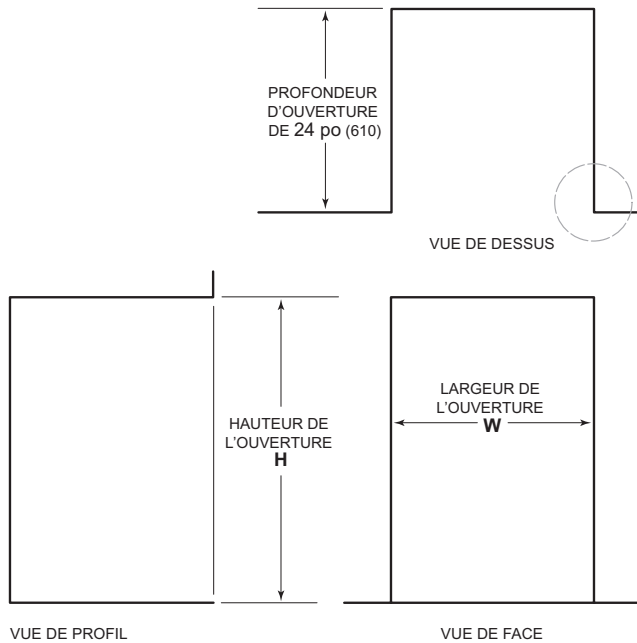
Emplacement de la plaque signalétique (modèle 24 po)



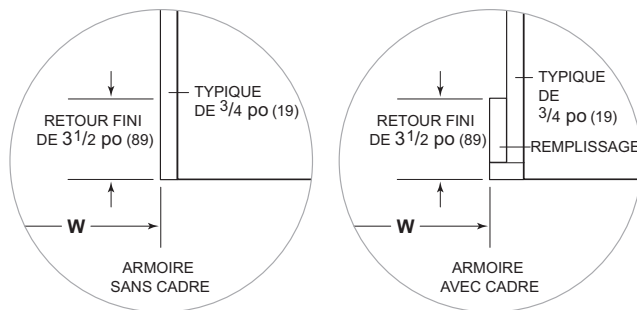
Emplacement de la plaque signalétique (modèle 15 po)

Dimensions de l'ouverture

MODÈLES DE CELLIER À VINS SOUS LE COMPTOIR



REMARQUE : Les retours finis de 3 1/2 po (89) seront visibles et doivent être finis pour s'agencer aux armoires.



DIMENSIONS DE L'OUVERTURE	Largeur (W)	Hauteur (H)
Modèle de 24 po (hauteur standard)	24 po (610)	34 1/2 po (876)
Modèle de 24 po (hauteur ADA)	24 po (610)	32 1/2 po (826)
Modèle de 15 po (hauteur standard)	15 po (381)	34 1/2 po (876)

La profondeur de chaque modèle est de 23 1/8 po (587). Allouez de l'espace pour l'épaisseur du panneau durant la planification de la profondeur de l'ouverture finie. Un retour fini d'au moins 3 1/2 po (89) est requis sur tous les côtés de l'ouverture. Les armoires encadrées nécessitent un matériau de remblayage supplémentaire derrière le cadre avant pour obtenir une installation appropriée. Reportez-vous à l'illustration.

Dimensions de l'ouverture

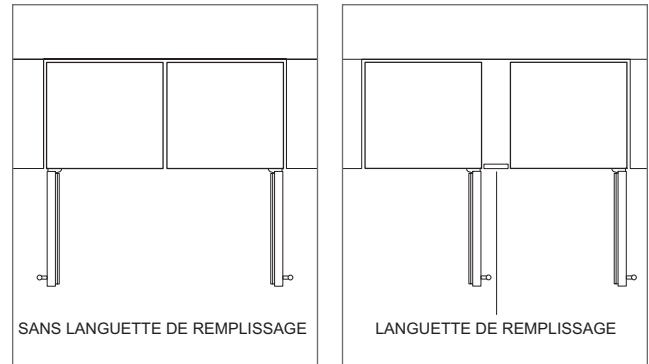
INSTALLATION DOUBLE

Si deux unités sont installées côté à côté, une trousse d'installation double pourra être requise. Les installations sans languette de remplissage personnalisée nécessitent une trousse d'installation double. Si une trousse d'installation double n'est pas précisée, une languette de remplissage de 2 po (51) est recommandée entre les unités. Les installations doubles sans languette de remplissage ne peuvent être réussies qu'en utilisant deux unités avec des charnières opposées. Reportez-vous aux illustrations.

Les trusses d'installation double sont offertes par les dépositaires Sub-Zero autorisés. Pour obtenir des renseignements sur votre dépositaire local, visitez la section salle d'exposition de notre site Web, subzero.com. Si vous avez des questions au sujet de l'installation, communiquez avec le service à la clientèle de SubZero au 800-222-7820.

LARGEUR D'OUVERTURE DOUBLE	Largeur (W)
Deux modèles de 15 po	30 po (762)
Modèles 15 po et 24 po	39 po (991)
Deux modèles de 24 po	48 po (1 219)

Trousse d'installation double requise.



Charnières opposées

Charnières du même côté

Exigences électriques

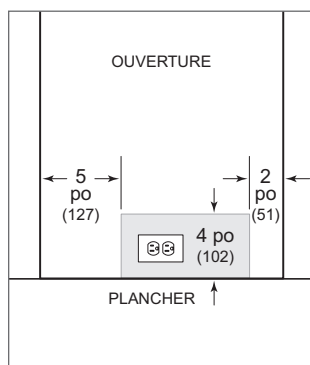
L'installation doit se conformer à tous les codes électriques applicables.

L'alimentation électrique doit se trouver à l'intérieur de la zone ombragée indiquée dans l'illustration ci-dessous. Un circuit séparé servant uniquement cet appareil est requis. Un disjoncteur de fuite de terre (GFCI) n'est pas recommandé et peut interrompre le fonctionnement.

La prise doit être placée de façon à ce que la broche de mise à la terre se trouve à la droite des broches plus minces.

EXIGENCES ÉLECTRIQUES

Alimentation électrique	115 volts CA, 60 Hz
Service	circuit dédié de 15 ampères
Prise	Mise à la terre à trois broches



Emplacement de l'alimentation électrique

⚠ MISE EN GARDE

La prise doit être vérifiée par un électricien qualifié pour s'assurer qu'elle est câblée avec la polarité appropriée. Assurez-vous que la prise est correctement mise à la terre.

⚠ AVERTISSEMENT

Si le cordon d'alimentation est endommagé, il doit être remplacé par le fabricant, son agent de service ou des personnes de qualification similaire afin d'éviter tout danger.

⚠ AVERTISSEMENT

Ne placez pas des prises de courant portatives, une rallonge multiprises ou des sources d'alimentation portatives à l'arrière de l'appareil.

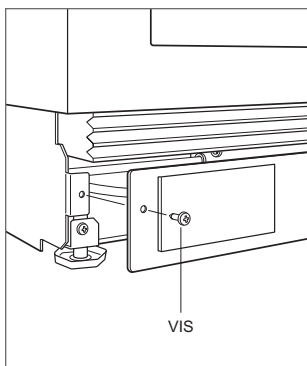
⚠ AVERTISSEMENT

N'utilisez pas une rallonge, un adaptateur à deux broches et ne retirez pas la broche de mise à la terre du cordon d'alimentation.

Préparation

Sortez l'unité de la boîte et examinez-la pour vous assurer qu'elle n'est pas endommagée. Retirez et recyclez les matériaux d'emballage. Ne jetez pas la plaque de protection, le support antibasculement et la quincaillerie.

Retirez la plaque de protection en enlevant les deux vis de montage. Reportez-vous à l'illustration ci-dessous.



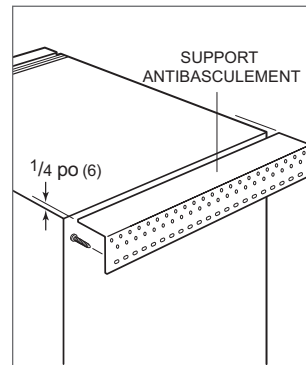
Retrait de la plaque de protection

Support antibasculement

⚠ AVERTISSEMENT

Pour empêcher l'unité de basculer vers l'avant, le support antibasculement doit être installé.

Le support antibasculement doit être fixé au mur derrière l'unité avec la bride du support située à une distance de 1/4 po (6) au-dessus de la partie supérieure de l'unité. Reportez-vous à l'illustration ci-dessous. Si le support antibasculement n'est pas aligné adéquatement, il ne s'enclenchera pas correctement.



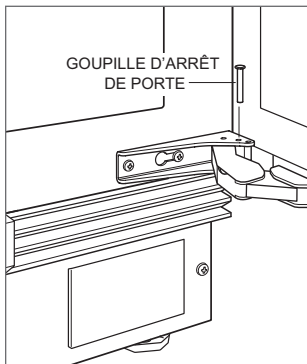
Support antibasculement

Butée de porte de 90°

Les goupilles de butée de porte fournies avec l'unité limitent l'ouverture de la porte à 90°.

REMARQUE IMPORTANTE : Si vous souhaitez que la porte s'ouvre à 90°, les goupilles doivent être installées avant de placer l'unité dans l'ouverture.

Pour installer, ouvrez la porte à environ 80°. Insérez une goupille dans chaque charnière. Reportez-vous à l'illustration ci-dessous.



Butée de porte de 90°

Mise en place

⚠ MISE EN GARDE

Avant de mettre l'unité en place, sécurisez la porte en position fermée et protégez tout plancher fini.

⚠ AVERTISSEMENT

Lorsque vous placez l'appareil, vérifiez que le cordon d'alimentation ne soit pas pris ou endommagé.

Utilisez un chariot à appareil pour déplacer l'unité près de l'ouverture.

Si l'unité a été posée sur le dos ou le côté, elle doit être mise debout pendant au moins 24 heures avant de relier l'alimentation.

Branchez le cordon d'alimentation dans une prise mise à la terre et glissez l'unité en place. Vérifiez que le support antibasculement est correctement enclenché.

Alignement

NIVELLEMENT

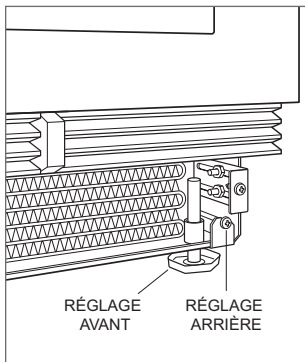
Une fois l'unité en place, pivotez les pieds avant dans le sens horaire pour la relever ou dans le sens antihoraire pour l'abaisser. Le réglage de la hauteur arrière peut être effectué à partir de l'avant. Au moyen d'un tournevis cruciforme, tournez dans le sens horaire pour relever l'unité ou dans le sens antihoraire pour l'abaisser. Utilisez le réglage de couple le plus bas lorsque vous utilisez une perceuse électrique. Ne tournez pas les pieds d'inclinaison à la main. Reportez-vous à l'illustration ci-dessous.

Lorsque l'unité est correctement mise au niveau, des réglages à la porte sont moins susceptibles d'être nécessaires.

REMARQUE IMPORTANTE : Nivelez l'unité en fonction du plancher, pas des armoires environnantes. Cela pourrait affecter le fonctionnement de l'unité, comme la fermeture de la porte.

⚠ AVERTISSEMENT

Afin de réduire le risque de basculement vers l'avant de l'unité, les pieds de nivellement avant doivent être en contact avec le sol.



Nivellement

ANCRAGE

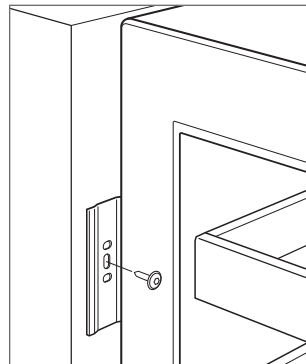
⚠ MISE EN GARDE

Si vous utilisez une perceuse électrique pour pré-percer des trous ou poser des vis, vérifiez que le mandrin de la perceuse n'entre pas en contact avec le cadre avant de l'unité.

Réglez la profondeur de l'unité afin qu'elle soit à égalité avec les armoires adjacentes. Tenez compte de l'épaisseur du panneau. Une fois alignée, vérifiez que la porte s'ouvre correctement, puis installez une vis à tête plate décorative n° 8 x 1/2 po dans chaque support.

⚠ AVERTISSEMENT

Pour éviter tout danger associé à l'instabilité de l'appareil, elle doit être corrigée conformément aux directives.



Ancrage

Panneau en acier inoxydable

Des panneaux de porte en acier inoxydable sont offerts par les dépositaires Sub-Zero autorisés. Pour obtenir des renseignements sur votre dépositaire local, visitez la section salle d'exposition de notre site Web, subzero.com.

Des jeux d'au moins $\frac{1}{8}$ po (3) sont requis.

Panneau personnalisé

Un panneau de porte personnalisé et la quincaillerie de poignée doivent être installés.

Un panneau mesurant un minimum de $\frac{1}{8}$ po (16) et un maximum de $\frac{3}{4}$ po (19) d'épaisseur est requis. Le poids du panneau ne doit pas dépasser le poids de panneau maximal indiqué dans le tableau ci-dessous. La profondeur de chaque modèle est de $23\frac{1}{8}$ po (587). Allouez de l'espace pour l'épaisseur du panneau durant la planification de la profondeur de l'ouverture finie.

Des jeux d'au moins $\frac{1}{8}$ po (3) sont requis.

POIDS DU PANNEAU	MAX
Modèle de 24 po	22 lb (10 kg)
Modèle de 15 po	15 lb (7 kg)

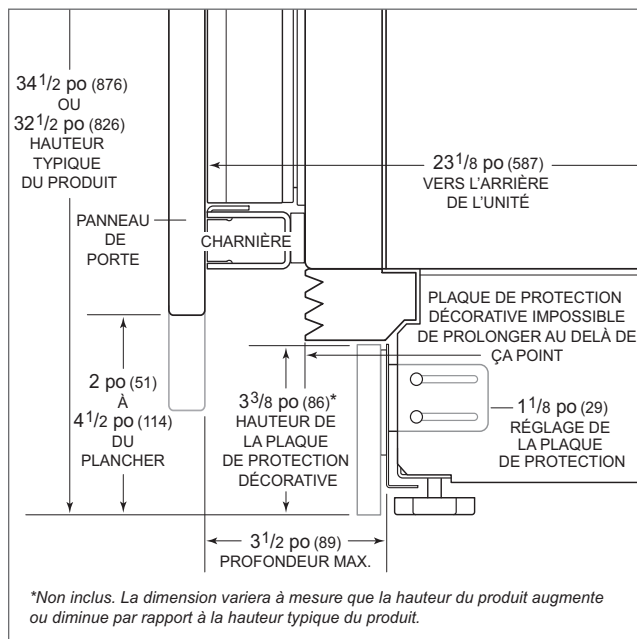
Finissez tous les côtés du panneau personnalisé. Ils seront visibles lorsque la porte est ouverte.

Une poignée en forme de D est recommandée. Placez la poignée de porte près du rebord du panneau opposé à la charnière et au centre de haut en bas. Des poignées tubulaires et professionnelles en acier inoxydable sont offertes par les dépositaires Sub-Zero autorisés. Pour obtenir des renseignements sur votre dépositaire local, visitez la section salle d'exposition de notre site Web, subzero.com.

Panneau personnalisé

DÉGAGEMENT DE LA PLAQUE DE BUTÉE

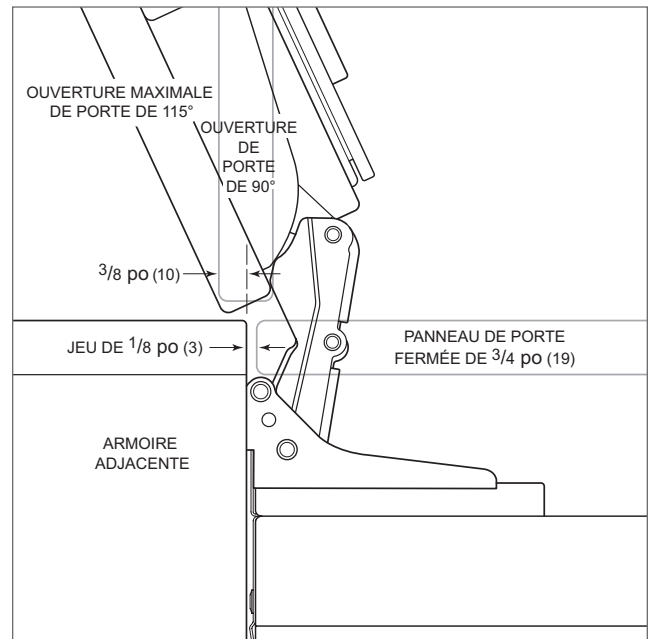
La hauteur de la zone de la plaque de butée peut se prolonger au-delà de la hauteur typique de la plaque de butée, à condition qu'elle ne dépasse pas les dimensions dans l'illustration ci-dessous. Si vous avez des questions au sujet de l'installation, communiquez avec le service à la clientèle de Sub-Zero au 800-222-7820.



Dégagement de la plaque de butée (vue latérale)

OUVERTURE MAXIMALE DE LA PORTE

L'augmentation de la largeur ou de la profondeur du panneau augmente aussi la possibilité d'interférence du panneau. L'interférence peut être minimisée en utilisant une butée de porte de 90°.



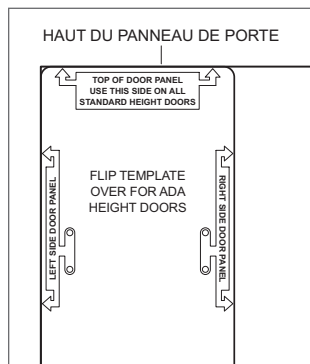
Ouverture maximale de la porte (vue de dessus)

Installation du panneau

INSTALLATION DU PANNEAU DE PORTE

La position du gabarit doit être ajustée pour les panneaux qui dépassent les dimensions typiques.

Placez le panneau vers le bas sur une surface de travail protégée. Placez le gabarit à égalité avec le haut et les côtés du panneau. Assurez-vous d'utiliser le bon côté du gabarit, puis marquez et percez des avant-trous. Reportez-vous à l'illustration ci-dessous.



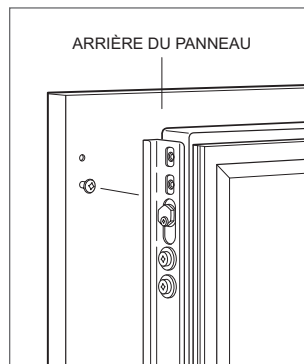
Gabarit du panneau de porte

Utilisez un entraînement Torx pour partiellement insérer une vis n° 8 x 1/2 po dans le deuxième trou à partir du haut de chaque côté du panneau. Les vis doivent dépasser le panneau d'environ 3/16 po (4) et soutiendront le poids du panneau pendant l'installation.

Alignez les vis de soutien à l'arrière du panneau avec les trous allongés sur les deux supports de montage de porte. Reportez-vous à l'illustration ci-dessous. Le fait d'ouvrir la porte légèrement peut aider à effectuer l'alignement. Une fois le panneau soutenu par les vis, insérez partiellement une vis n° 8 x 1/2 po dans le deuxième trou à partir du bas de chaque côté du panneau, mais ne serrez pas.

⚠ MISE EN GARDE

Lorsque les jeux entre les armoires et l'unité diminuent, il y a des risques de pincements graves des doigts pendant la fermeture de la porte.



Montage du panneau de porte

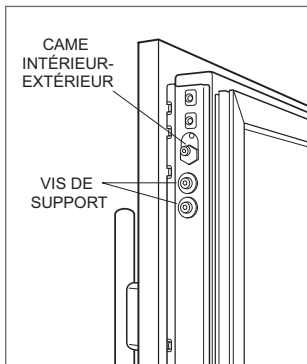
Installation du panneau

RÉGLAGE DU PANNEAU DE LA PORTE

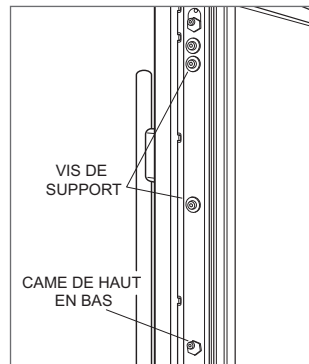
Fermez la porte. Effectuez les réglages nécessaires pour aligner le panneau et les jeux.

Pour le réglage d'un côté à l'autre, déplacez le panneau d'un côté à l'autre, puis installez et serrez toutes les vis de montage.

Pour les réglages de haut en bas et vers l'intérieur ou l'extérieur, desserrez légèrement les vis de support. Selon le niveau de réglage requis, il pourra s'avérer utile de desserrer toutes les vis de support pour permettre un réglage maximal. Une fois les vis de support desserrées, utilisez une clé pour pivoter les cames pour effectuer les réglages. Une fois les réglages terminés, serrez toutes les vis de support. Reportez-vous aux illustrations ci-dessous.



Réglage vers l'intérieur ou l'extérieur



Réglage de haut en bas

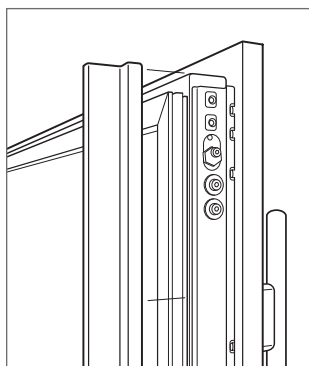
Achèvement

INSTALLATION DE LA GARNITURE DE PORTE

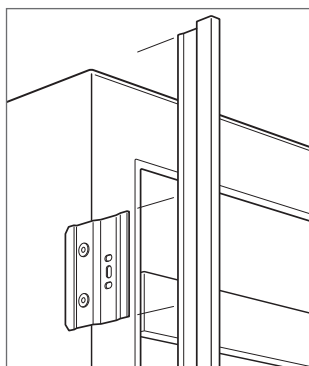
Une fois le panneau de porte bien ajusté, installez la garniture décorative latérale sur la porte. Pour installer, commencez par le haut et alignez la garniture avec les brides avant et arrière du support, puis enclenchez en place en poussant la garniture vers l'arrière du panneau. Une fois la partie supérieure sécurisée, continuez l'installation vers le bas jusqu'à ce que la garniture restante soit complètement fixée. Reportez-vous à l'illustration ci-dessous.

INSTALLATION DE LA GARNITURE LATÉRALE

Installez la bande de garniture décorative du côté de la poignée de l'unité. La garniture latérale s'enclenche sur les supports fixés sur le côté poignée de l'unité. Reportez-vous à l'illustration ci-dessous.



Garniture latérale de porte



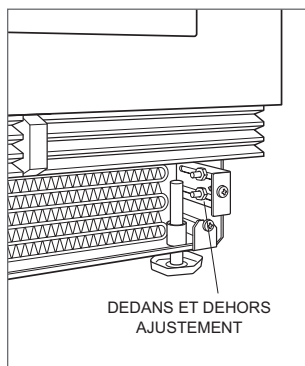
Garniture latérale de l'unité

INSTALLATION DE LA PLAQUE DE PROTECTION

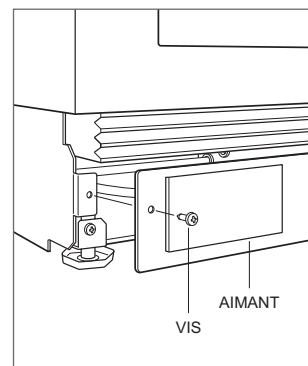
La plaque de protection doit pouvoir être enlevée pour toute réparation. Le plancher ne doit pas nuire à l'enlèvement. Serrez manuellement les écrous de réglage des supports. Reportez-vous à l'illustration ci-dessous. Effectuez des réglages vers l'intérieur ou l'extérieur, puis serrez les écrous de support avec une clé. Installez la plaque de protection avec les vis fournies.

Une plaque de protection décorative peut être fixée à la plaque de protection installée en usine. Les trois rangées de persiennes ventilées ne doivent pas être couvertes.

Pour installer la plaque de protection décorative, retirez l'endos en papier des aimants et fixez la plaque de protection décorative aux aimants. Les aimants permettent le retrait de la plaque de protection décorative si nécessaire.



Réglage de la plaque de protection



Installation de la plaque de protection.

Achèvement

AVERTISSEMENT

Respectez toutes les lois provinciales et locales lors de l'entreposage, le recyclage ou l'élimination des réfrigérateurs et des congélateurs non utilisés.



SUB-ZERO, INC. P.O. BOX 44848 MADISON, WI 53744 SUBZERO.COM 800.222.7820

9045421 REV-A

5/2021

