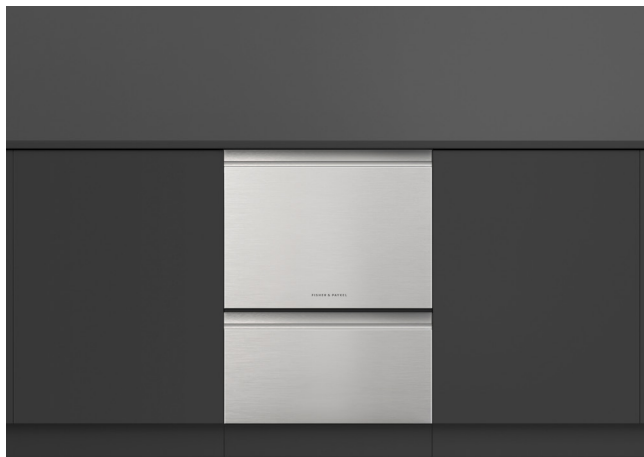


FISHER & PAYKEL

PRELIMINARY SPECIFICATION GUIDE

DOUBLE DISHDRAWER™ DISHWASHER, TALL



OVERVIEW

Our built-under DishDrawer™ Dishwashers are installed flush under the countertop with the option of a custom kickstrip, ensuring minimal gaps. Designed to match the Fisher & Paykel family of kitchen appliances with recessed handles for a streamlined look. With a combination of clever technology and simple mechanics, this series 9 DishDrawer™ Dishwasher ensures greater reliability and better wash performance.

* Energy and water rating to be confirmed

* Noise subject to change

MODELS

**Recessed Handle Double DishDrawer 24",
Stainless Steel door, Top of Door User Interface**
DD24DT4NX9

SERIES & STYLE

Series 9
Contemporary

FEATURES

- ① Designed to be installed under the countertop, with recessed handles for a seamless look
- ② Flush fit with cabinetry with the option to add a custom kickstrip, ensuring minimal gaps
- ③ The touch-sensitive control panel is located inside, leaving an uninterrupted exterior
- ④ Each drawer operates independently and holds a true half load for small, fast washing
- ⑤ Six wash programs, as well as additional Quick, Sanitize and Extra Dry modifiers
- ⑥ Conveniently knock on the dishwasher door to pause the cycle
- ⑦ Running at a low decibel rating, this dishwasher does the job without making a fuss
- ⑧ Flexible racking allows for shelf customisation to suit
- ⑨ With extra height for taller dishes, and customisable internal shelving
- ⑩ Wi-Fi enabled and works with the SmartHQ™ app for remote control and notifications

ACCESSORIES

- ① Cutlery basket included

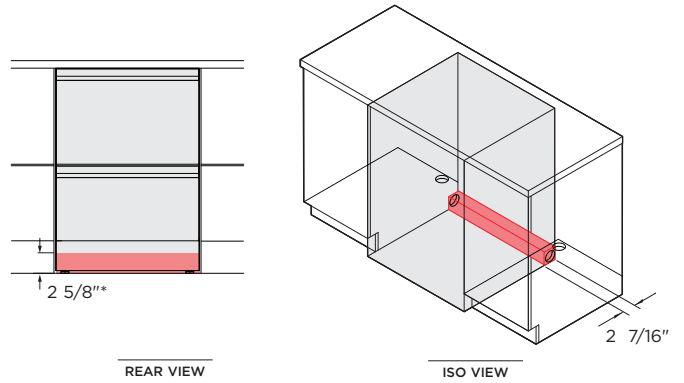
FISHER & PAYKEL

PRELIMINARY SPECIFICATION GUIDE

DOUBLE DISHDRAWER™ DISHWASHER, TALL

SPECIFICATIONS

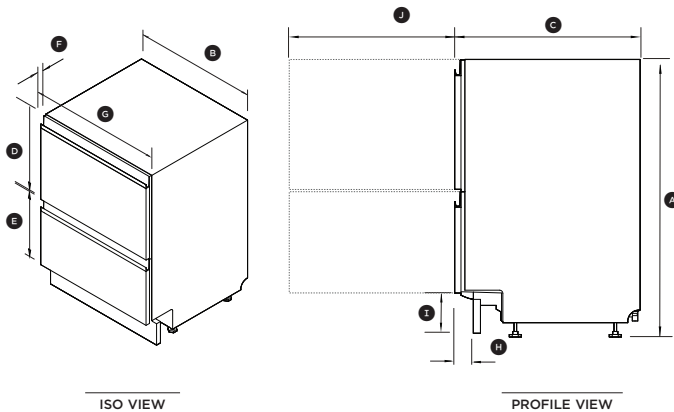
Model No.	DD24DTP4NX9
Dimensions	H 34" - 36 3/8" W 23 9/16" D 22 9/16"
Weight	139lbs
Electrical	
Supply	110-120V, 60Hz
Service	9.6A
Outlet	3 prong grounding-type
Plumbing	
Supply	Supplied hose to suit 3/8" (9mm) male compression fitting
Pressure	Max. 1 MPa (145psi), min. 0.03 MPa (4.3psi) Max hot water temperature 140°F/60°C



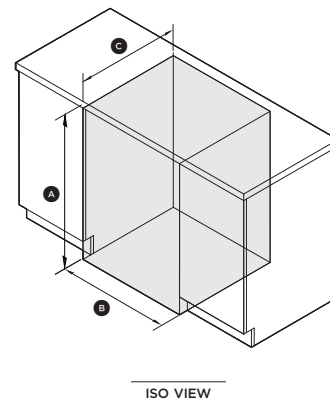
Service outlet at rear extends both sides, hoses and cords can be routed to either or both sides. Units shown in inch.

*depending on adjustment of levelling feet

PRODUCT DIMENSIONS



CAVITY DIMENSIONS: STANDARD INSTALLATION



	inch
(A) Overall height*	34 - 36 3/8
(B) Overall width	23 9/16
(C) Overall depth**	22 9/16
(D) Height of upper front panel	17 3/8
(E) Height of lower front panel	12 3/16
(F) Depth of front panels	13/16
(G) Width of front panel	23 7/16
(H) Depth of toe kick recess	1 9/16 - 2 3/16
(I) Height from floor to front panel base*	3 15/16 - 6 5/16
(J) Depth of open drawer	21 9/16

*depending on adjustment of levelling feet

**Including front door panel

	inch
(A) Overall height*	min 34
(B) Overall width	23 5/8
(C) Overall depth	min 22 13/16

*depending on adjustment of levelling feet