



# DBI564IS.U

## Built-in undercounter dishwasher

### General description

Turbo Combi Drying  
Product line: Logic  
Mode of installation: Built In  
Size: ADA height compliant  
Number of baskets: 3  
Number of place settings: 16 place settings  
Top tray: Easy height adjustment; Handle; Removable  
Upper basket type: Premium  
Lower basket type: Premium  
Removable cutlery basket for easy unloading



### Construction

- Welded stainless steel container
- Exterior float - detects water leakage on the base
- Stand by water protection
- Anti-block drain pump
- 8 Steel™ Construction
- Hidden heater
- SCS+ - Super Cleaning System+™
- Number of spray arms: 3
- Number of spray zones: 9
- Turbo Combi Drying
- Automatic door opening
- Cutlery Power Zone - extra dishwashing power for the cutlery basket
- Door handle type: Integrated soft closing handle

### Use and flexibility

- Number of place settings: 16 place settings
- Number of baskets: 3
- Top tray: Easy height adjustment; Handle; Removable
- Upper basket type: Premium
- Lower basket type: Premium
- Tight mesh base in the baskets
- Removable cutlery basket for easy unloading
- Required inlet water pressure: 0,03-1 MPa

### Interaction & control

- Display Type: LCD display
- Ability to create own programs: Memory program
- Number of programs: 9
- Number of options: 6
- Status Light™
- Time remaining indicator: Yes
- Cycle end indication: Displayed with sound and light
- Adaptable power zones

### Programs

- 9 programs: Normal wash; Quick wash; Intensive program; Time program; Rinse and hold; Self-cleaning; Light wash; Sanitize; Anti odour
- Delayed start: 1-24 hours
- Speed mode
- Night mode
- Heat boost mode
- Normal mode

### Design & integration

- From front adjustable rear foot
- Trim kit
- Multi fit outlet hose
- Simplified installation with integrated anti-siphon
- Depth (incl. wall spacing): 21 7/8" (555 mm)
- Height setting: 2 1/16" (53 mm)

---

### Safety & Maintenance

- Aqua Safe™
- Kid Safe™ - lockable controls
- Rinse-aid indication: Notification in display

---

### Technical data

- Hot or cold water connection - 9/16
- Max. temperature of inflow water: 140 F
- Noise level: 42 dB(A)
- Duration of normal wash cycle: 125 min
- Estimated annual energy consumption: 220 kWh
- Energy consumption/cycle: 1 kWh
- Estimated annual water consumption: 647 US Gal
- Water consumption/cycle: 3 US Gal
- Consumption in standby mode: 0.5 W
- Connection rating: 1300 W
- Number of phases: 1
- Current: 15 A
- Frequency: 60 Hz
- Required inlet water pressure: 0,03-1 MPa
- Net weight: 89 lbs

---

### Dimensions

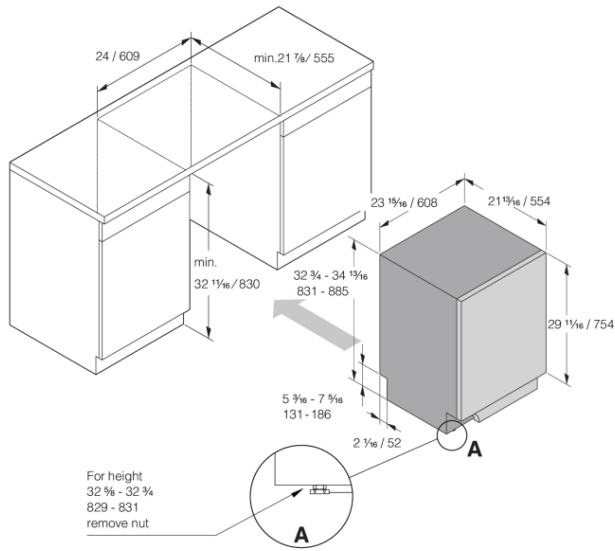
- Width: 23 15/16" (608 mm)
- Height: 32 11/16" (831 mm)
- Depth: 21 13/16" (554 mm)
- Maximum product height: 34 13/16" (884 mm)
- Cord length: 71 7/16" (1815 mm)
- Depth with door open: 46 7/8" (1191 mm)
- Length of inflow hose: 64 3/16" (1630 mm)
- Length of outflow hose: 90 9/16" (2300 mm)

---

### Logistic information

- Packaging width: 25 3/16" (640 mm)
  - Packaging height: 35 1/16" (890 mm)
  - Packaging depth: 26 3/4" (680 mm)
  - Total weight of packaged product: 96 lbs
  - Code: 740109
  - EAN code: 3838782639548
  - Market: Domestic
  - Range: Logic
-

Measurements: inches / millimetres



DW60 Built-in Dishwasher XL USA

