

DA 2818

Ceiling extractor

with energy-efficient LED lighting and backlit controls for easy use.



- Elegant design – harmonious in the kitchen environment
- Unique user convenience – Con@ctivity
- Efficient filtration- 10-ply stainless steel grease filters
- Safe and easy to clean – Miele CleanCover

EAN: 4002516064947 / Material number: 09762150 / Old Material Number: 28281855USA

Design	
Ceiling fan	•
Construction type and design	
Color	Stainless steel
Operating modes	
Recirculated mode	Can be retrofitted
Recirculation conversion kit (order separately)	DUU 2900-900
Design	
Edge extraction	•
User convenience	
Miele@home	•
Automatic function Con@ctivity	•
Electronic controls	•
Power levels (number excl. Intensive)	3
Miele@mobile app	•
Run-on time 5/15 min.	•
Booster levels	1
Programmable Intensive switch-off	•
Grease filter saturation indicator	•
Active charcoal filter saturation indicator	•
CleanCover	•
Filter system	
Number of dishwasher-safe stainless-steel grease filters	2
Lighting	
LED	•
Number x W	4 x 3 W
Light intensity in lx	600 lx
Color temperature in K	3500 Kelvin
Light dimmer function	•
Blower	
Dual-action blower	•
AC motor	•
Exhaust air	
Maximum air throughput in cfm according to HVI	401
Air throughput	Values upon request
Safety	
Safety shut-off	•
Technical data	
Overall min. height for vented and external in in. (mm)	13 3/8 (339)
Canopy width in in.(mm)	43 3/8 (1100)
Overall max. height for vented and external in in. (mm)	13 3/8 (339)
Canopy height in in.(mm)	13 1/2 (342)
Overall min. height for recirculation in in. (mm)	13 3/8 (339)
Canopy depth in in.(mm)	27 5/8 (700)
Overall max. height for recirculation in in. (mm)	13 3/8 (339)
Minimum height above electric hobs in mm	24 1/8 (610)
Net weight in lbs. (kg)	47 (21.0)
Length of electrical wire in ft (m)	2 (0.8)
Standard plug fitted	•

DA 2818

Ceiling extractor

with energy-efficient LED lighting and backlit controls for easy use.



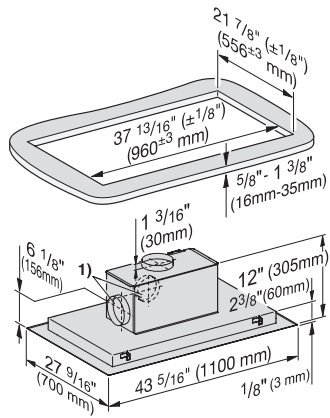
EAN: 4002516064947 / Material number: 09762150 / Old Material Number: 28281855USA

Minimum height above gas cooktop (max. 12.6 kW total power, burner \leq 4.5 kW) in mm	26 (660)
Total connected load in kW	0.36
Voltage in V	120
Fuse rating in A	15
Number of phases	1
Frequency in Hz	60
Installation note	
Vent connection at top	•
Vent connection on side	•
Vent connection at top, rear and side	•
Diameter of vent connection in in.(mm)	6 (150)
Installation template	•
Standard accessories	
Communication module for Con@ctivity XKM 2000 DA	XKS 3000 Z
Non-return flap	•

DA 2818

Ceiling extractor

with energy-efficient LED lighting and backlit controls for easy use.



DA 2818 Stainless steel (factual image) USA

1) Vent connection alternatively to rear