

DA 2628

Insert ventilation hood  
with energy-efficient LED lighting and backlit controls for easy use.



- Customized kitchen design – fully integrated in 46 1/2 (1180) in (mm) width
- Unique user convenience – Con@ctivity
- Energy-efficient and quiet
- Elegant and efficient – edge vented panel

EAN: 4002516024439 / Material number: 10876800 / Old Material Number: 28262855USA

<b>Design</b>	
Insert ventilation hood	•
<b>Construction type and design</b>	
Color	Stainless steel
<b>Operating modes</b>	
Recirculated mode	Exhaust air
<b>Design</b>	
Edge extraction	•
<b>User convenience</b>	
Miele@home	•
Automatic function Con@ctivity	•
Electronic controls	•
Power levels (number excl. Intensive)	3
Run-on time 5/15 min.	•
Booster levels	1
Programmable Intensive switch-off	•
Grease filter saturation indicator	•
CleanCover	•
<b>Filter system</b>	
Number of dishwasher-safe stainless-steel grease filters	4
<b>Lighting</b>	
LED	•
Number x W	3 x 4,5 W
Light intensity in Lx	700 lx
Color temperature in K	3500 Kelvin
Light dimmer function	•
<b>Blower</b>	
Dual-action blower	•
AC motor	•
<b>Exhaust air</b>	
Maximum air throughput in cfm according to HVI	401
Air throughput	Values upon request
<b>Safety</b>	
Safety shut-off	•
<b>Technical data</b>	
Canopy width in in.(mm)	46 1/2 (1180)
Canopy height in in.(mm)	2 1/2 (63)
Canopy depth in in.(mm)	11 5/8 (293)
Minimum height above electric hobs in mm	24 1/8 (610)
Net weight in lbs. (kg)	34 (15.0)
Length of electrical wire in ft (m)	4 (1.5)
Standard plug fitted	•
Minimum height above gas cooktop (max. 12.6 kW total power, burner ≤ 4.5 kW) in mm	26 (660)
Total connected load in kW	0.36
Voltage in V	120
Fuse rating in A	15
Number of phases	1
Frequency in Hz	60

DA 2628

Insert ventilation hood

with energy-efficient LED lighting and backlit controls for easy use.



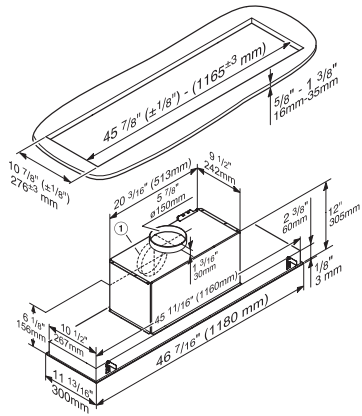
EAN: 4002516024439 / Material number: 10876800 / Old Material Number: 28262855USA

<b>Installation note</b>	
Vent connection at top	•
Vent connection at top and rear	•
Diameter of vent connection in in.(mm)	6 (150)
<b>Standard accessories</b>	
Communication module for Con@ctivity XKM 2000 DA	XKS 3000 Z
Non-return flap	•

DA 2628

Insert ventilation hood

with energy-efficient LED lighting and backlit controls for easy use.



DA 2628, stainless steel – Integrated cooker hood  
(Installation drawing) – USA

1) Vent connection alternatively to rear