

Café Professional Series 30" Smart Built-In Convection Single Wall Oven



CTS90DP2ZS1 / CTS90DP3ZD1 / CTS90DP4ZW2



ALSO AVAILABLE IN



CTS90DP3ZD1
Matte Black with Brushed Stainless handle



CTS90DP4ZW2
Matte White with Brushed Bronze handle



FEATURES & BENEFITS

This oven features True European Convection, an advanced convection system that uses a third heating element and reversing fan for the highest level of heat and air circulation

Simplify cooking with precision modes like artisan pizza, salmon, roasted vegetables, and bacon. Designed by our cooking scientists, these modes use tailored temperature and fan adjustments to track progress and deliver optimal results

Integrated Air Fry Mode technology that gives you crispy results in your oven without using oil

Enjoy a bright, intuitive 7-inch touch display that makes cooking effortless. Access multiple timers, weather updates, recipe apps, and saved favorite recipes with ease, and personalize the experience with your own images

CookCam with AI Technology monitors your meals in real time with live-streaming video on your smartphone without opening your oven door. The built-in camera can recommend a precision cooking mode with optimized temperature and fan adjustments

Say goodbye to guesswork with integrated tools that let you set and label multiple timers and use a built-in chatbot (on select models) for instant answers on temperatures, substitutions, conversions, and more

Set oven modes and timers by voice when your hands are full, making it easy to keep cooking moving without interruption. Effortlessly prep and host with hands-free control that fits seamlessly into your kitchen routine

Say hello to cooking in style with built-in premium Bluetooth® speakers. Easily connect your smartphone to stream your favorite music or podcasts, turning every meal into a more enjoyable, immersive experience

Get a custom look in the kitchen by selecting your favorite hardware and finish combination. Choose from Matte White, Matte Black and Stainless Steel finishes, and Brushed Copper, Brushed Bronze, Brushed Black and Brushed Stainless hardware

APPEARANCE

| | |
|--------------|---|
| Handle | Café Stainless |
| Installation | Above Warming Drawer; Side-by-Side; Under Built-In Advantium; Under Built-In Microwave; Under Cooktop; Undercounter |

FEATURES

| | |
|-------------------------|---|
| Configuration | Single Oven |
| Cooking System | True European Convection with Direct Air |
| Oven Cleaning Type | Self-Clean with Steam Clean Option |
| Cleaning Time | Variable with Delay Clean Option |
| Oven Cooking Modes | Convection Bake Convection Bake Multi-Rack Convection Broil Hi/Lo Convection Roast Thermal Bake Thermal Broil Hi/Lo Keep Warm Proof |
| Precision Cooking Modes | Artisan Pizza Mode Turkey Mode Steak Mode And More ... |
| Control Type | 7" Full-Color Touch LCD Screen |
| Oven Rack Features | 2 Self-Clean Roller Racks 6 Embossed Rack Positions |
| Oven Control Features | 12-Hour Shut-Off Capability Control Lock Capability Cook Time C° or F° Programmable Dehydration Delay Time Unlimited Timers Microphone with Voice Control Mis-Wire Detection OU Sabbath Mode Oven Camera Premium Speaker Proof Mode Remote Enabled Temperature Probe Warm Mode |
| Connected Capabilities | WiFi Recipes Cooking instruction Grocery list/shop Streaming Audio Personalized Wallpaper Weather |
| Oven Interior | 2 Halogen Interior Oven Lights Black Gloss Finish Hidden Bake |

CAPACITY

| | |
|-----------------------------|-----------|
| Total Capacity (cubic feet) | 5.0 cu ft |
|-----------------------------|-----------|

POWER / RATINGS

| | |
|--------------------|----------------|
| Amp Rating at 208V | 20 |
| Amp Rating at 240V | 20 |
| Bake Wattage | 2,850W |
| Broiler Wattage | 3,300 / 1,000W |
| Convection Wattage | 2,400W |
| KW Rating at 208V | 3.2 |
| KW Rating at 240V | 4.2 |

WEIGHTS & DIMENSIONS

| | |
|--|---------------------------|
| Approximate Shipping Weight | 177 lb |
| Net Weight | 161 lb |
| Overall Height | 28-5/8 in |
| Overall Width | 29-3/4 in |
| Overall Depth | 26-3/4 in |
| Cabinet Width | 30 in |
| Cutout Dimensions (W x H x D) (in.) | 28-5/8 x 27-5/16 x 23-1/2 |
| Oven Interior Dimensions (W x H x D) (in.) | 25 x 17-3/8 x 20-1/4 |

Café Professional Series 30" Smart Built-In Convection Single Wall Oven



CTS90DP2ZS1 / CTS90DP3ZD1 / CTS90DP4ZW2

WARRANTY

| | |
|----------------|---------------------------------------|
| Parts Warranty | Limited 1-Year Entire Appliance |
| Labor Warranty | Limited 1-Year Entire Appliance |
| Warranty Notes | See Written Warranty for Full Details |

DIMENSIONS AND INSTALLATION INFORMATION

Most 30" Wall Cabinets can be used with this unit.

Note: These ovens are not approved for stackable installations. Cabinets installed adjacent to wall ovens must have an adhesion spec of at least a 194°F temperature rating.

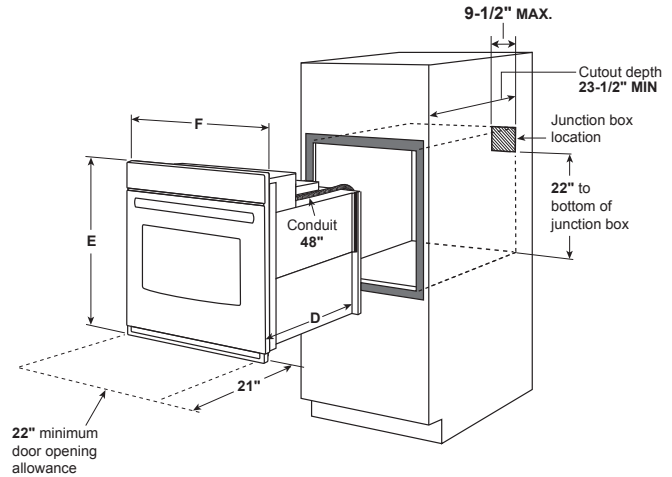
Door handle protrudes 2-1/2" from door face. Cabinets and drawers on adjacent 45° and 90° walls should be placed to avoid interference with the handle.

Electric wall ovens are not approved for installation with a plug and receptacle. They must be hard wired in accordance with installation instructions.

Installation Information: Before installing, consult installation instructions packed with product for current dimensional data. Side-by-side installations require at least 2" between cutouts.

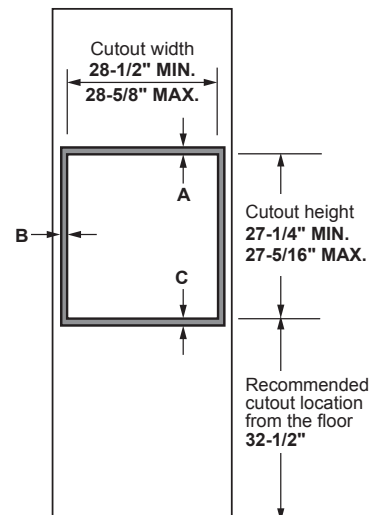
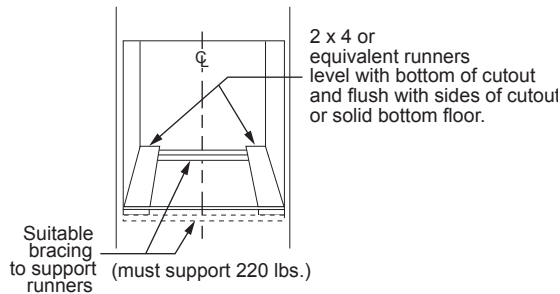
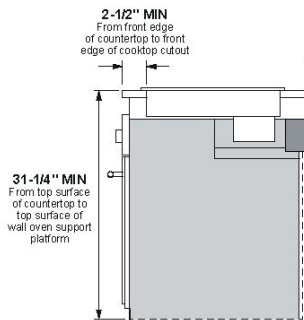
Note: 36" ribbon cooktop are approved for use over Café 30" single wall ovens and warming drawers. 30" ribbon cooktops are approved for use over 30" and Café 27" single wall ovens and warming drawers. Refer to cooktop and wall oven installation information packed with products for current dimensional data.

Installation information: Before installing, consult installation instructions packed with products for current dimensional data and for alternate installation options.



Electric wall ovens are not approved for installation with a plug and receptacle. They must be hard wired in accordance with installation instructions.

INSTALLATION ABOVE A WALL OVEN



| Cabinet | 30" |
|--|---------|
| A - Overlap of oven at top of cutout | 1-1/4" |
| B - Overlap of oven other side of edge of cutout | 3/4" |
| C - Overlap of oven at bottom of cutout | 1-1/4" |
| Oven | |
| D - Install depth | 23-1/2" |
| E - Overall height with trim | 28-5/8" |
| F - Overall width | 29-3/4" |

Café Professional Series 30" Smart Built-In Convection Single Wall Oven



CTS90DP2ZS1 / CTS90DP3ZD1 / CTS90DP4ZW2

DIMENSIONS AND INSTALLATION INFORMATION

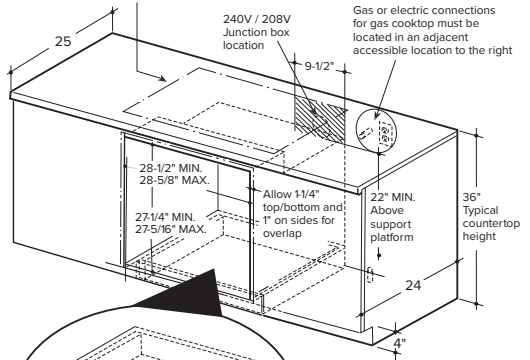
Optional Undercounter Dimensions and Installation Information

Note: 36" ribbon cooktop are approved for use over Café 30" single wall ovens and warming drawers. 30" ribbon cooktops are approved for use over 30" and Café 27" single wall ovens and warming drawers. Refer to cooktop and wall oven installation information packed with products for current dimensional data.

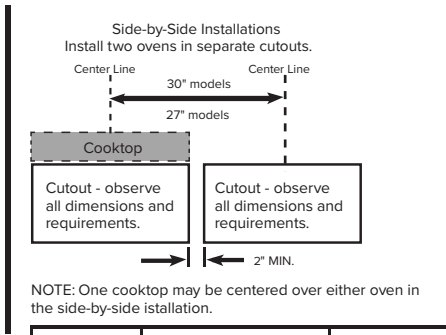
Installation information: Before installing, consult installation instructions packed with products for current dimensional data and for alternate installation options.

ELECTRIC WALL OVENS ARE NOT APPROVED FOR INSTALLATION WITH A PLUG AND RECEPTACLE. THEY MUST BE HARD WIRED IN ACCORDANCE WITH INSTALLATION INSTRUCTIONS.

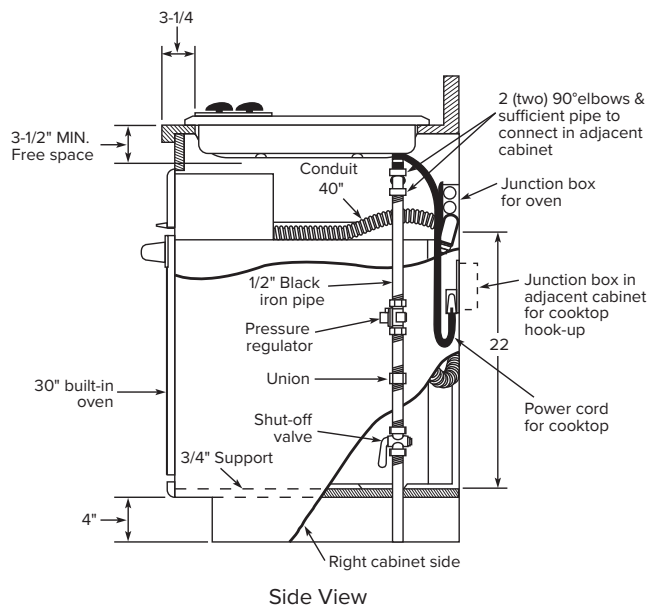
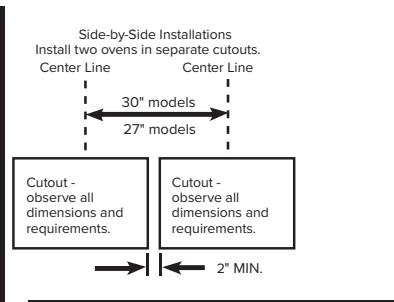
Gas or electric cooktops may be installed over this oven. See cooktop installation instructions for cutout size. See label on top of oven for approved cooktop models.



Side by Side single ovens under cooktop and counter



Side by Side single ovens



Dimension and installation information are shown in inches.

ADDITIONAL ACCESSORIES



CXWS0H0PMBZ
Brushed Bronze
1 handle
(Standard on Matte White)



CXWS0H0PMSS
Brushed Stainless
1 handle
(Standard on Matte Black)



CXWS0H0PMBT
Brushed Black
1 handle



CXWS0H0PMCU
Brushed Copper
1 handle



CXWS0H0PMCG
Brushed Brass
1 handle



CXWS0H0PMFB
Flat Black
1 handle