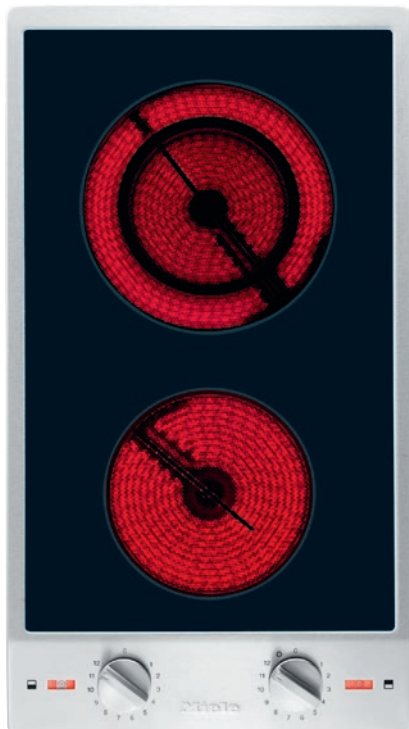


CS 1112 E 240V
CombiSets
with two electric cooking zones

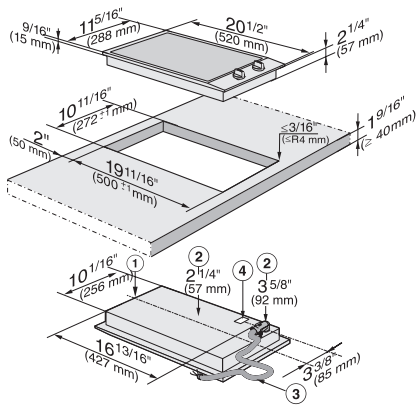


- Professional design – ceramic glass with frame measuring 11 3/8 (288) in (mm) 11 3/8 (288) in (mm) wide
- Very convenient, safe – operating and residual heat indicator
- Easy and direct controls -operation via metal rotary dial control
- Particularly versatile – 2 cooking zones incl. 1 Vario zone

EAN: 4002514386829 / Material number: 07141710 / Old Material Number: 27111250USA

Heating type	
Fuel type	Electric
Design	
ProLine	•
Design	
Elegant glass ceramic surface	•
Stainless steel frame	•
Print design	LightPrint
Miele logo embossed in stainless steel	•
Proud installation	•
Cooking zone details	
No. of rings	2
1st cooking zone/cooking area	
Position	front center
Type	Single-circuit ring
Size in mm	Ø 145
Max. rating in W	1200
2nd cooking zone/cooking area	
Position	rear center
Type	Variable cooking zone
Size in mm	Ø 100-180
Max. rating in W	700/1800
User convenience	
Extended cooking zone	•
Operation via knobs	•
Cleaning convenience	
Easy to clean ceramic glass	•
Safety	
Safety cut-out	•
Overheating protection	•
Residual heat indicator	•
Operational indicator	•
Technical data	
Dimensions (H x W x D) in inches (mm)	
Dimensions (width) in in. (mm)	11 3/8 (288)
Dimensions (height) in in. (mm)	2 7/8 (73)
Dimensions in mm (depth)	20 1/2 (520)
Cutout dimensions (width) in in. (mm)	10 3/4 (272)
Cutout dimensions (depth) in in. (mm)	19 3/4 (500)
Casing height incl. connection box in mm	3 3/4 (95)
Weight in lbs. (kg)	15 (7)
Total connected load in kW	3.00
Power cord length in in. (m)	3 (1.2)
Voltage in V	240
Frequency in Hz	60
Standard accessories	
Razor-blade scraper	•
Power cord	Yes

CS 1112 E 240V
CombiSets
with two electric cooking zones



CS 1112 E (Installation drawing) – USA

1) Appliance front, 2) Installation height, 3) Power supply box with Connection cable, L = 78 3/4" (2000 mm), 4) Rating label