

CS 1012-2 LP
CombiSets
with two burners

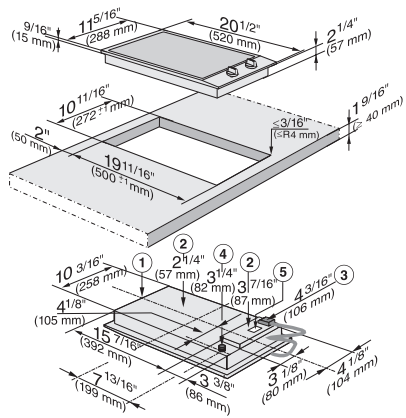


- Professional design – Stainless steel trough, ?? wide
- Particularly versatile – 1 medium burner and 1 large burner
- Optimal – single-handed operation via rotary dials and QuickStart
- Extremely safe – GasStop&Restart function
- Easy cleaning – ComfortClean dishwasher-safe grates

EAN: 4002516452485 / Material number: 11763810 / Old Material Number: 27101255USA

Heating type	
Fuel type	Gas
Design	
ProLine	•
Design	
Elegant glass ceramic surface	•
Cast iron pot rests (matte black enameled)	•
Miele logo embossed in stainless steel	•
Cooking zone details	
No. of rings	2
1st cooking zone/cooking area	
Position	front center
Type	Standard burner
Max. rating in W	1600
2nd cooking zone/cooking area	
Position	rear center
Type	High-speed burner
Max. rating in W	3000
User convenience	
Operation via knobs	•
Cleaning convenience	
Easy to clean ceramic glass	•
Safety	
Heat indicator	•
Operational indicator	•
GasStop	•
GasStop & ReStart	•
Technical data	
Dimensions (H x W x D) in inches (mm)	
Dimensions (width) in in. (mm)	11 3/8 (288)
Dimensions (height) in in. (mm)	2 7/8 (73)
Dimensions in mm (depth)	20 1/2 (520)
Cutout dimensions (width) in in. (mm)	10 3/4 (272)
Cutout dimensions (depth) in in. (mm)	19 3/4 (500)
Casing height incl. connection box in mm	4 1/4 (106)
Weight in lbs. (kg)	17 (8)
Total connected load in kW	4.85
Power cord length in in. (m)	3 (1.2)
Voltage in V	120
Frequency in Hz	60
Standard accessories	
Power cord	Yes

CS 1012-2 LP
CombiSets
with two burners



CS1012-1G, CS1012-2G, CS1012-2LP (Installation drawing) – USA

- 1) Appliance front, 2) Installation height, 3) Power supply box with Connection cable, L = $78\frac{3}{4}''$ (2000 mm), 4) Gas Fitting, 5) Rating label