



DISTINCT BY DESIGN™

## Installation Instructions

# Integrated Bottom-Freezer Refrigerators

<b>Safety</b>	2	Tools, Hardware, Materials	31
<b>Design Guide</b>		Grounding the Unit	31
Dimensions and Clearances	5	Flooring	31
Accessories/Kits	6	Step 1. Remove Packaging	32
<b>Instructions for Single Standard Installation</b>	7	Step 2. Install Water Line	33
The Installation Space	8	Step 3. Preparing Unit for Installation - Dual Install	34
Tools, Hardware, Materials	9	Step 4. Install Anti-tip Brackets	35
Grounding the Unit	9	Step 5. Joining Dual Installed Units	36
Flooring	9	Step 6. Change Power Cord	37
Step 1. Remove Packaging	10	Step 7. Case Trim Installation	37
Step 2. Install Water Line	10	Step 8. Connecting Water Supply	38
Step 3. Install Anti-tip Brackets	11	Step 9. Inserting/Securing into Cabinet Surround	39
Step 4. Change Power Cord	12	Step 10. Level Unit	41
Step 5. Case Trim Installation	12	Step 11. Final External Unit Preparation	41
Step 6. Connecting Water Supply	13	Step 12. Handle Installation	43
Step 7. Inserting/Securing into Cabinet Surround	14	Step 13. Toe Kick Installation	43
Step 8. Level Unit	15	Step 14. Internal Unit Preparation	43
Step 9. Final External Unit Preparation	15	Step 15. Start Icemaker	43
Step 10. Handle Installation	16	<b>Instructions for Dual Integrated Installation</b>	
Step 11. Toe Kick Installation	16	<b>(Single Door Models Only)</b>	44
Step 12. Internal Unit Preparation	16	The Installation Space	45
Step 13. Start Icemaker	17	Tools, Hardware, Materials	46
<b>Instructions for Single Integrated Installation</b>	18	Grounding the Unit	47
The Installation Space	19	Flooring	47
Tools, Hardware, Materials	20	Step 1. Remove Packaging	47
Grounding the Unit	20	Step 2. Install Water Line	48
Flooring	20	Step 3. Preparing Unit for Installation	49
Step 1. Remove Packaging	21	Step 4. Install Anti-tip Brackets	50
Step 2. Install Water Line	22	Step 5. Joining Dual Installed Units	51
Step 3. Install Anti-tip Brackets	23	Step 6. Connecting Water Supply	52
Step 4. Connecting Water Supply	24	Step 7. Inserting/Securing into Cabinet Surround	53
Step 5. Inserting/Securing into Cabinet Surround	25	Step 8. Level Unit	54
Step 6. Level Unit	26	Step 9. Final External Unit Preparation	55
Step 7. Final External Unit Preparation	26	Step 10. Handle Installation	56
Step 8. Handle Installation	27	Step 11. Toe Kick Installation	56
Step 9. Toe Kick Installation	27	Step 12. Internal Unit Preparation	57
Step 10. Internal Unit Preparation	27	Step 13. Start Icemaker	57
Step 11. Start Icemaker	28	<b>Door Panel Adjustments and Trim Installation</b>	58
<b>Instructions for Dual Standard Installation</b>		Hardware Supplied	59
<b>(Single Door Models Only)</b>	29	Panel Adjustment Bracket Locations	59
The Installation Space	30	Side to Side Adjustment	60
		Height and Depth Adjustment	60
		Trim Installation	60

Questions? Visit [cafeappliances.com](http://cafeappliances.com).

English/Français/Español

31-1000731 Rev. 3 04-24

# Safety Information

## BEFORE YOU BEGIN

Read these instructions completely and carefully.

- **IMPORTANT** – Save these instructions for local inspector's use. Observe all governing codes and ordinances.
- **Note to Installer** – Be sure to leave these instructions with the Consumer.
- **Note to Consumer** – Keep these instructions with your Owner's Manual for future reference.

If you received a damaged unit, you should immediately contact your dealer or builder.

**Skill Level** – Installation of this unit requires basic mechanical, carpentry and plumbing skills. Proper installation is the responsibility of the installer. Product failure due to improper installation is not covered under the Café Warranty. See the Owner's Manual for warranty information.

### **WARNING** **Electrical Shock Hazard.**

Plug into a grounded 3-prong outlet.

Do not remove the ground prong.

Do not use an adapter.

Immediately discontinue use of a damaged supply cord.

If the supply cord is damaged it must be replaced by a qualified service professional with an authorized service part from the manufacturer.

Do not use an extension cord with this appliance.

Failure to follow these instructions can result in death, fire, or electrical shock.

Follow the instructions in the section Grounding the unit.


This appliance must be installed with a means in the fixed house wiring or circuit breaker for disconnecting the appliance from the electrical supply after installation.

### **WARNING** **Tip Over Hazard.**

These appliances are top heavy, especially with any doors open, and must be secured to prevent tipping forward which could result in death or serious injury. Read and follow the entire installation instructions for securing the appliance with the anti-tip system.


### **WARNING** **Fire or Explosion Hazard.**

Keep flammable materials and vapors away from appliance. Failure to do so can result in fire, explosion, or death.

 **WARNING** To reduce the risk associated with choking, do not allow children under 3 years of age to have access to small parts during the installation of this product.

### **CAUTION** **Lifting Hazard**

This unit is very heavy. To reduce the risk of person injury during maneuvering and installing this appliance, 3 people are required for proper installation.

 **CAUTION** Keep fingers out of the “pinch point” areas; clearances between the doors and between the doors and cabinet are necessarily small. Be careful closing doors when children are in the area.

## PROPER DISPOSAL OF YOUR APPLIANCE

Dispose of or recycle your appliance in accordance with Federal and Local Regulations. Contact your local authorities for the environmentally safe disposal or recycling of your appliance.

- Consider recycling options for your appliance packaging material.

# Consignes de sécurité

## AVANT DE COMMENCER

Veuillez lire toutes ces instructions attentivement.

- **IMPORTANT** – Conservez ces instructions à l'usage de l'inspecteur local. Observez tous les codes et décrets en vigueur.
- **Note à l'installateur** – Assurez-vous de laisser ces instructions au consommateur.
- **Note au consommateur** - Conservez ces instructions avec votre manuel d'utilisation pour consultation ultérieure.

Si vous avez reçu un appareil endommagé, veuillez communiquer immédiatement avec votre revendeur ou votre entrepreneur.

**Niveau de compétence** – L'installation de cet appareil exige des compétences de base en mécanique, menuiserie et plomberie. La responsabilité d'une installation adéquate relève de l'installateur. La garantie Café ne couvre pas les défauts du produit causés par une installation inadéquate. Consultez le manuel d'utilisation pour des renseignements sur la garantie.

### **AVERTISSEMENT** **Risque d'électrocution.**

Branchez l'appareil dans une prise à 3 broches mise à la terre.

N'enlevez pas la broche de mise à la terre.

N'utilisez pas un adaptateur.

Cessez immédiatement l'utilisation d'un cordon électrique endommagé. Si le cordon électrique est endommagé, son remplacement doit être exécuté par un technicien en réparation qualifié au moyen d'un cordon de rechange autorisé par le fabricant.

N'utilisez pas un cordon de rallonge avec cet électroménager. Le non-respect de ces instructions peut occasionner un décès, un incendie ou un choc électrique.

Suivez les instructions de la section Mise à la terre de l'appareil. Le circuit électrique auquel cet électroménager sera raccordé doit comporter un disjoncteur ou un autre dispositif permettant de couper l'alimentation électrique à l'appareil après l'installation.

### **AVERTISSEMENT** **Risque de basculement.**

Ces électroménagers sont lourds du haut, notamment lorsqu'une porte est ouverte, de sorte qu'ils doivent être fixés pour prévenir un basculement vers l'avant susceptible d'occasionner des blessures graves ou la mort. Lisez et observez la totalité des instructions d'installation pour connaître la façon de fixer l'électroménager sur le dispositif antibasculement.

### **AVERTISSEMENT** **Risque d'incendie ou d'explosion.**

Gardez les matières et les vapeurs inflammables à distance de l'électroménager. L'omission de prendre cette précaution peut entraîner un incendie, une explosion ou la mort.

### **AVERTISSEMENT** Pour réduire le risque d'étouffement pendant l'installation de ce produit, ne pas laisser les petites pièces à la portée des enfants âgés de moins de 3 ans.

### **AVERTISSEMENT** **Risque lié à la manipulation d'un objet lourd**

Cet appareil est très lourd. Afin de réduire le risque de blessure pendant la manipulation et l'installation de cet électroménager, la participation de 3 personnes est nécessaire à l'exécution d'une installation correcte.

### **AVERTISSEMENT** Gardez vos doigts éloignés des points de pincement. Les espaces entre les portes et ceux entre les portes et l'armoire sont particulièrement restreints. Soyez prudent lorsque vous fermez les portes en présence d'enfants.

## MISE AU REBUT ADÉQUATE DE VOTRE ÉLECTROMÉNAGER

Veuillez jeter ou recycler votre électroménager conformément aux règlements fédéraux ou locaux. Communiquez avec les instances locales pour en savoir plus sur la mise au rebut ou le recyclage de votre électroménager.

- Considérez les options de recyclage des matériaux d'emballage de votre électroménager.

# Información sobre Seguridad

## ANTES DE COMENZAR

Lea estas instrucciones en su totalidad y atentamente.

- **IMPORTANTE** – Conserve estas instrucciones para uso del inspector local. Cumpla con todos los códigos y ordenanzas gubernamentales.
- **Nota para el Instalador** – Asegúrese de que el Comprador conserve estas instrucciones.
- **Nota para el Consumidor** – Guarde estas instrucciones con su Manual del Propietario para referencia futura.

Si la unidad que recibió está dañada, se deberá comunicar de inmediato con su vendedor o fabricante.

**Nivel de habilidad** – La instalación de esta unidad requiere un nivel básico de habilidades mecánicas, de carpintería y plomería. La correcta instalación del producto es responsabilidad del instalador. Si se producen fallas en el producto debido a una instalación inadecuada, la Garantía de Café no cubrirá las mismas. Para obtener información sobre la garantía, consulte el Manual del Propietario.

### **⚠ ADVERTENCIA** **Riesgo de Descarga Eléctrica**

Enchufe en un tomacorriente con conexión a tierra de 3 cables.

No elimine el cable de conexión a tierra.

No use un adaptador.

Inmediatamente interrumpa el uso de un cable de suministro de corriente dañado. Si el cable de corriente se encuentra dañado, su reemplazo deberá ser realizado por un profesional calificado del servicio técnico, utilizando una pieza del servicio técnico autorizada por el fabricante.

No use un prolongador con este electrodoméstico. Si no se siguen estas instrucciones, se podrá producir la muerte, incendios o descargas eléctricas.

Siga las instrucciones que figuran en la sección de Conexión de tierra de la unidad.

Este electrodoméstico deberá ser instalado por algún medio en el cableado fijo del hogar o en un disyuntor para desconectar el electrodoméstico del suministro eléctrico luego de la instalación.

### **⚠ ADVERTENCIA** **Riesgo de Caídas**

Estos electrodomésticos son inestables, especialmente cuando una puerta se encuentre abierta, y deben estar asegurados a fin de evitar caídas hacia adelante que podrían resultar en la muerte o en lesiones graves. Lea y siga las instrucciones de instalación en su totalidad para asegurar el electrodoméstico con el sistema anti volcaduras.

### **⚠ ADVERTENCIA** **Riesgo de Incendio o Explosión.**

Mantenga cualquier material y vapores inflamables alejados del electrodoméstico. Si no se cumple con esto, se podrá producir una explosión, incendio o la muerte.

**⚠ ADVERTENCIA** A fin de reducir el riesgo asociado con descargas, no permita que los niños menores de 3 años de edad tengan acceso a las partes pequeñas durante la instalación de este producto.

### **⚠ PRECAUCIÓN** **Riesgo al levantar la puerta**

Esta unidad es muy pesada. A fin de reducir el riesgo de lesión de una persona al maniobrar e instalar este electrodoméstico, se requiere contar con 3 personas para una correcta instalación.

**⚠ PRECAUCIÓN** Mantenga los dedos fuera de los espacios de “riesgo de lastimaduras”; los espacios entre las puertas y entre las puertas y el gabinete son necesariamente pequeños. Tenga la precaución de cerrar las puertas cuando los niños se encuentren en el área.

## FORMA ADECUADA DE DESCARTAR SU ELECTRODOMÉSTICO

Descarte o recicle su electrodoméstico de acuerdo con las Regulaciones Federales y Locales. Comuníquese con las autoridades locales para descartar o reciclar su electrodoméstico de forma ambientalmente segura.

- Tenga en cuenta las opciones de reciclaje del material de embalaje de su electrodoméstico.



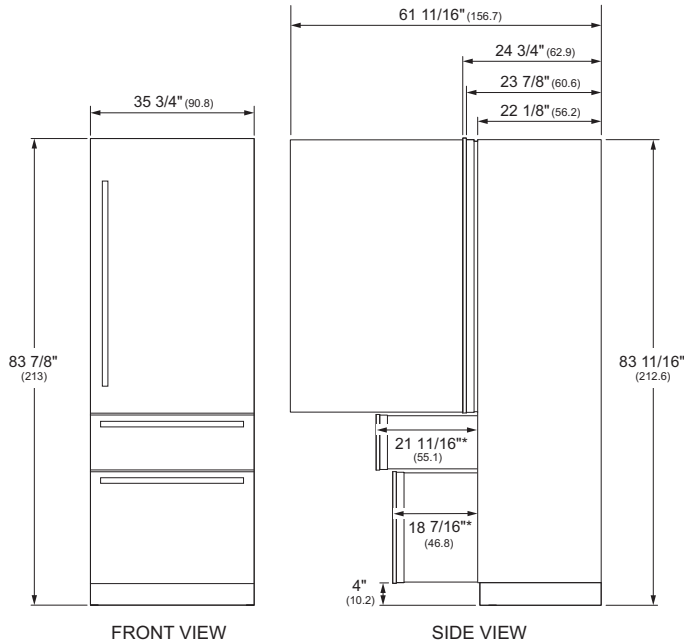
# Design Guide

## DIMENSIONS AND CLEARANCES

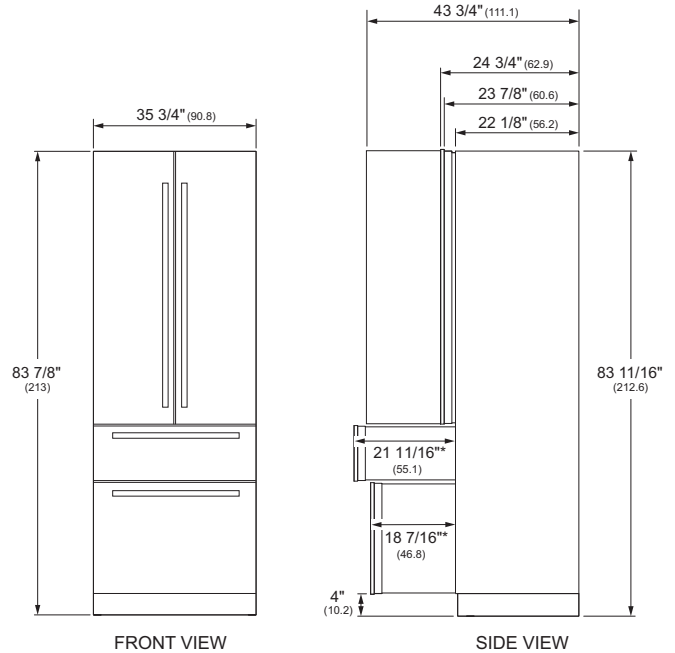
Dimensions in parentheses are in centimeters.

### Overall Dimensions (with 3/4" door panels installed)

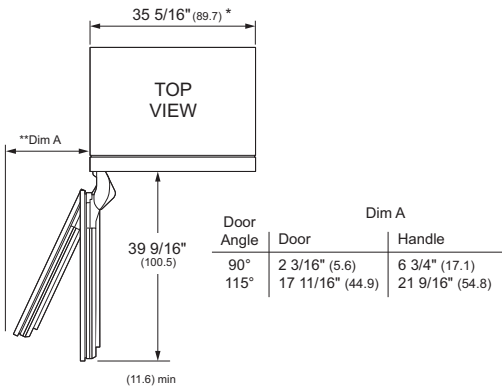
#### Single Door Models



#### French Door Models

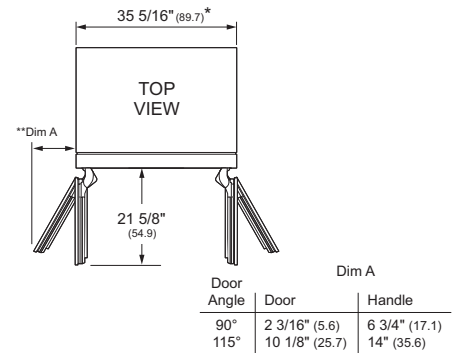


\* Depth dimension without handle. Handle adds 2 9/16" depth.



\*Case width at widest part.

\*\*Dim A = Clearance needed to wall or adjacent appliance. Dimensions based on handle height of 2 9/16" (6.5) and a hand clearance of 2" (5.1)



\*Case width at widest part.

\*\* Dim A = Clearance needed to wall or adjacent appliance. Dimensions based on handle height of 2 9/16" (6.5) and a hand clearance of 2" (5.1)

### Shipping height

Use leveling legs and wheels to adjust the height up to 84" (213.36 cm). Maximum adjustment is 1" (2.54 cm).

### Product Clearances

These units are equipped with a 2-position door stop. The factory set 115° door swing can be adjusted to 90° if clearance to adjacent cabinets or walls is restricted.

Refer to Dim A above for clearances for door swing.

# Design Guide

The Café Integrated Bottom-Freezer Refrigerators can be installed in many configurations with different installation situations.

## Instructions for Integrated Installation - Dual and Single

New construction installation with 25" deep openings

## Instructions for Standard Installation - Dual and Single

Existing construction installation (existing cutouts) with 24" deep openings that are 35-1/2" wide or dual installations 71-1/2" wide.

## ACCESSORIES/KITS

- **ZKMV** Heater Unification Kit
- **WX08X10006** Water Line 8' (2.5 m)
- **ZKW36V** Single Install Standard Installation Kit
- **ZKW72V** Dual Install Standard Installation Kit
- Stainless Steel Toe Kicks for Dual Install

72"	ZKK72R (Standard Installation)
72"	ZKN72V (Integrated Installation)

- French Door Handle Kits

CXSB4H4PVBZ	Bronze 4 Handle Kit
CXSB4H4PVCU	Copper 4 Handle Kit
CXSB4H4PVBT	Black 4 Handle Kit
CXSB4H4PVCG	Brass 4 Handle Kit
CXSB4H4PVFB	Flat Black 4 Handle Kit

- Single Door Handle Kits

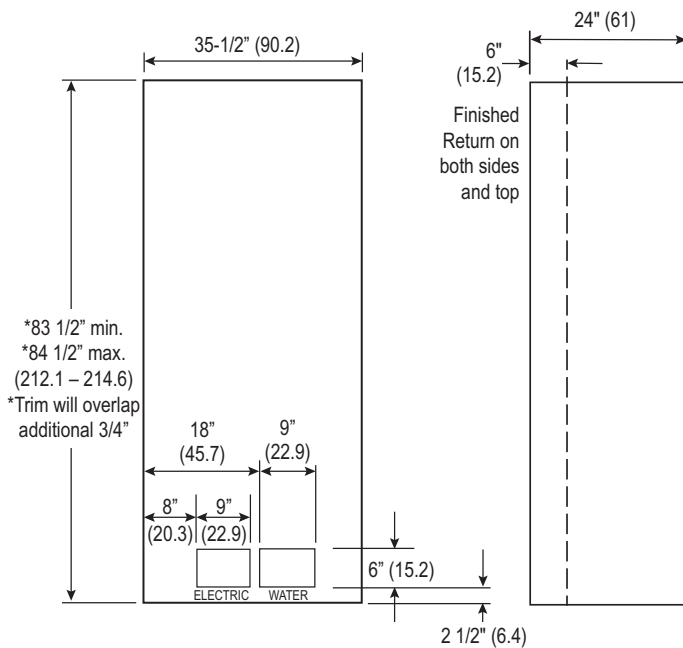
CXSB3H3PVBZ	Bronze 3 Handle Kit
CXSB3H3PVCU	Copper 3 Handle Kit
CXSB3H3PVBT	Black 3 Handle Kit
CXSB3H3PVCG	Brass 3 Handle Kit
CXSB3H3PVFB	Flat Black 3 Handle Kit

**Instructions for Single Standard Installation**  
**Existing construction installation with 24" deep openings**  
**that are 35-1/2" wide**

# Design Guide - Single Standard Installation

## SINGLE STANDARD INSTALLATION SPACE

Dimensions in parentheses are in centimeters.



### For 24" Deep Cutouts

A trim kit (ZKW36V) is required for standard installations.

### Water And Electrical Locations

The recommended electrical location is shown in the diagram. If the electrical location is higher than shown, use the longer power cord provided in trim kit (ZKW36V). Follow instructions in step 4 to change power cord.

Water supply must be located as shown.

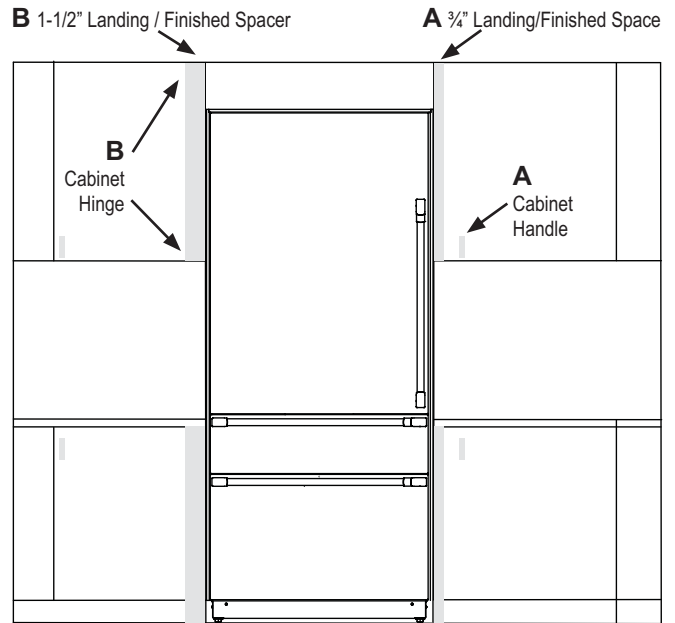
### Product Clearances

These units are equipped with a 2-position door stop. The factory set 115° door swing can be adjusted to 90° if clearance to adjacent cabinets or walls is restricted.

Refer to Dim A on page 5 for clearances needed for door swing.

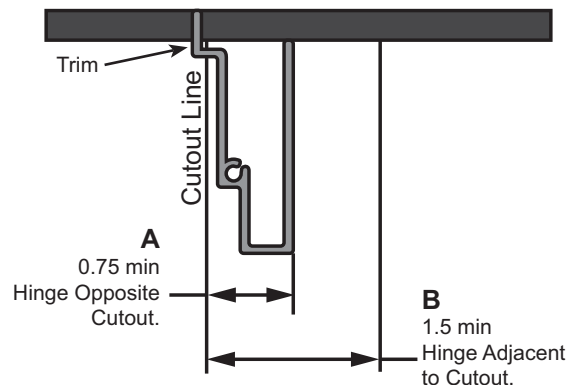
### Additional Specifications

- A separate 115 volt 60Hz., 15 or 20 amp power supply is recommended for each product. An individual properly grounded branch circuit or circuit breaker is recommended. Install a properly grounded 3-prong electrical receptacle recessed into the back wall. Electrical must be located on rear wall as shown.
- Water line must be located on the back wall as shown. The water line should be 1/4" O.D. copper tubing or QuickConnect™ kit (WX08X10006) between the cold water line and water connection location, long enough to extend to the front of the unit (8' [2.4m]). Installation of an easily accessible shut-off valve in the water line is required.



### Minimum Clearance Dimensions with Trims Installed

- 3/4" Landing needed for cabinetry door/drawer edge adjacent with hinge opposite of cutout.
- 1-1/2" landing needed for cabinetry door/drawer edge with hinge adjacent to cutout



- Option clearance Cabinet Handle next to trim. 3/4" Minimum landing clearance (Matching Cabinet Finish) needed from cutout opening for Standard Trim.
- Option clearance Cabinet hinge next to trim. 1-1/2" Minimum landing clearance (Matching Cabinet Finish) needed from cutout opening for Standard Trim to clear cabinetry door hinges.

# Installation Instructions - Single Standard Installation

## REFRIGERATOR/FREEZER LOCATION

- Do not install the refrigerator/freezer where the temperature will go below 55°F (13°C). It will not run often enough to maintain proper temperatures.
- Do not install the refrigerator/freezer where temperatures will go above 100°F (37°C). It will not perform properly.
- Do not install the refrigerator/freezer in a location exposed to water (rain, etc.) or direct sunlight.
- Install it on a floor strong enough to support it fully loaded.

## TOOLS AND MATERIALS REQUIRED

- Metal shears (recommended)
- #1, #2 Phillips screwdriver
- Flathead screwdriver
- Putty knife (recommended)
- Measuring tape
- Drill and 1/16", 5/64", 3/16", 1/2" bits
- 5/32" concrete bit (if installing anti-tip into concrete)
- 1/4", 3/8", 7/16" driver/socket
- 7/16" open wrench
- T10, T20, T30 driver/bit
- 1/8", 1/4" hex driver (allen wrench)
- Level
- Water shut-off valves (optional but recommended)
- 8' waterline
- Masking tape
- Rubbing alcohol
- 10" Adjustable wrench
- Center punch
- Handle Kit (if applicable)
- Small Ratchet 1/4" or 3/8"
- Standard Trim Kit (ZKW36V)
- 90° Right Angle Driver or a minimum 8" long, 1/4" diameter bit extender

## HARDWARE SUPPLIED (per unit)

- Anti-Tip bracket (2)
- Lag screws
- Tapcon screws
- 1/4" Hex Screws
- Door Hardware Kit

## GROUNDING THE UNIT

### **⚠ WARNING** **Electrical Shock**

**Hazard.** Failure to follow these instructions can result in death, fire, or electrical shock.

### **⚠ AVERTISSEMENT** **Risque d'électrocution**

Le non-respect de ces instructions peut occasionner un décès, un incendie ou un choc électrique

### **⚠ ADVERTENCIA** **Riesgo de Descarga**

**Si no se siguen estas instrucciones, se podrá producir la muerte, incendios o descargas eléctricas.**

The power cord of this appliance is equipped with a 3-prong (grounding) plug which mates with a standard 3-prong (grounding) wall receptacle to minimize the possibility of electric shock hazard from this appliance.

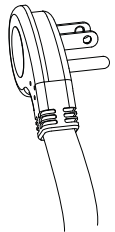
Have the wall outlet and circuit checked by a qualified electrician to make sure the outlet is properly grounded.

Where a standard 2-prong wall outlet is encountered, it is your personal responsibility and obligation to have it replaced with a properly grounded 3-prong wall outlet.

**DO NOT, UNDER ANY CIRCUMSTANCES, CUT OR REMOVE THE THIRD (GROUND) PRONG FROM THE POWER CORD.**

**DO NOT USE AN ADAPTER PLUG TO CONNECT THE REFRIGERATOR TO A 2-PRONG OUTLET.**

**DO NOT USE AN EXTENSION CORD WITH THIS APPLIANCE.**



## FLOORING


For proper installation, this product must be placed on a level surface of hard material that is at the same height as the rest of the flooring. This surface should be strong enough to support a fully loaded refrigerator or freezer, or approximately 1,200 lbs. per unit.

**NOTE:** Protect the finish of the flooring.


**NOTE:** Not recommended for installation on carpeted flooring.

# Installation Instructions - Single Standard Installation

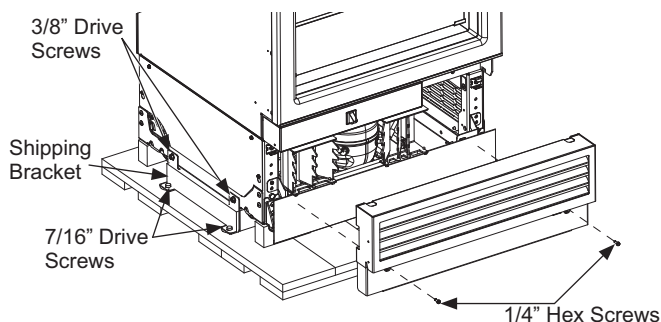
## STEP 1 REMOVE PACKAGING

**▲ WARNING**  **Tip Over Hazard.** This appliance is top heavy. Use extreme caution with moving to prevent tipping over which could result in death or serious injury.

**▲ AVERTISSEMENT**  **Risque de basculement.** Cet électroménager est lourd du haut. Utilisez d'extrême prudence en le déplaçant afin de prévenir un basculement susceptible d'occasionner des blessures graves ou la mort.

**▲ ADVERTENCIA**  **Riesgo de Caída.** Este electrodoméstico es inestable. Tenga extremo cuidado al moverlo, a fin de evitar caídas hacia adelante que podrían resultar en la muerte o lesiones graves.

- Remove outer carton and external packing from units.
- There is a box of parts taped to the outside of the refrigerator. This box includes a toe kick for single integrated installations and door parts that will be installed after the door panel adjustments are complete. Save these parts.
- Inspect for damage.
- Ensure the flooring that the units are set is clean/free of debris that could be collected on to, or pinched in front of the wheels and damaging the floor. Additionally, it is recommended that the floor be protected with a plastic covering through out the installation process.
- Remove handles from inside the refrigerator compartment.
- Remove hardware kits that are located inside the unit.
- Remove front access cover from unit by removing two 1/4" Hex Screws. Place the cover and screws to the side for future installation.
- Remove two 3/8" drive screws and two 7/16" drive screws from each side of the unit to release it from the shipping skid. Tip the unit from the side enough to remove the shipping material from under the unit, but above the shipping skid (both sides)
- CAREFULLY roll the unit off the back side of the shipping skid.
- Handle from side only with a hand truck.



## STEP 2 INSTALL WATER LINE

**▲ WARNING** Connect to potable water supply only. A cold water supply is required for automatic icemaker operation and the water dispenser (some models). The water pressure must be between 40 and 120 psi (275-827 kilopascals).

**▲ AVERTISSEMENT** Raccordez l'appareil à une alimentation d'eau potable seulement. Une alimentation d'eau froide est requise pour faire fonctionner la machine à glaçons et le pichet à remplissage automatique et le distributeur d'eau (certains modèles). La pression d'eau doit se situer entre 40 et 120 psi. (275 à 827 kPa).

**▲ ADVERTENCIA** Realice la conexión a un suministro de agua potable únicamente. Se requiere un suministro de agua fría para el funcionamiento de la jarra automática de llenado y del dispensador de agua (algunos modelos). La presión del agua deberá estar entre 40 y 120 p.s.i. (275 – 827 kPa).

**▲ WARNING**  **ELECTRIC SHOCK HAZARD**  
Attach tubing clamp using existing hole only. DO NOT drill into the refrigerator.

**▲ AVERTISSEMENT**  **RISQUE DE DÉCHARGE ÉLECTRIQUE**  
Fixez le collier de serrage dans le trou présent seulement. NE PERCEZ PAS dans le réfrigérateur.

**▲ ADVERTENCIA**  **PELIGRO DE DESCARGA ELÉCTRICA**  
Adhiera la abrazadera de la tubería usando el agujero existente únicamente. NO perforo el refrigerador.

### Shut off the main water supply.

Turn on the nearest faucet long enough to clear the line of water.

- It is recommended that you install a shut-off valve between the water valve and cold water pipe in a basement or adjacent cabinet. **The shut-off valve should be located where it will be easily accessible.**
- Turn on the main water supply and flush debris. Run about a quart of water through the tubing into a bucket. Shut off water supply at the shut-off valve.



# Installation Instructions - Single Standard Installation

## STEP 2 INSTALL WATER LINE (Cont.)

**NOTE:** Saddle type shut-off valves are not recommended but are included in many water supply kits. Before purchasing, make sure a saddle type valve complies with your local plumbing codes.

**NOTE:** Commonwealth of Massachusetts Plumbing Codes 248CMR shall be adhered to. Saddle valves are illegal and use is not permitted in Massachusetts. Consult with your licensed plumber.

- Route 1/4" OD copper or SmartConnect™ (WX08X10006) plastic tubing between house cold water line and the water connection location at the front of the unit.
- Tubing should be long enough to extend to the front of the unit. Allow enough tubing to accommodate bend leading into the water line connection.

**NOTE:** The only Café approved plastic tubing is supplied in the SmartConnect™ Refrigerator Tubing kits. Do not use any other plastic water supply line because the line is under pressure at all times. Other types of plastic may crack or rupture with age and cause water damage to your home.

- The waterline will be taped to the floor using masking tape after anti-tip bracket installation.

## STEP 3 INSTALL ANTI-TIP BRACKETS

### ⚠ WARNING Tip Over Hazard.

These appliances are top heavy, especially with any doors open, and must be secured to prevent tipping forward which could result in death or serious injury. Read and follow the entire installation instructions for securing the appliance with the anti-tip system.

### ⚠ AVERTISSEMENT Risque de basculement.

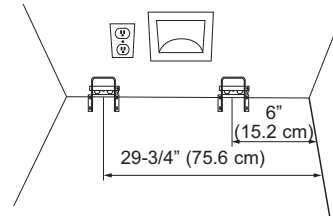
Ces électroménagers sont lourds du haut, notamment lorsqu'une porte est ouverte, de sorte qu'ils doivent être fixés pour prévenir un basculement vers l'avant susceptible d'occasionner des blessures graves ou la mort. Lisez et observez la totalité des instructions d'installation pour connaître la façon de fixer l'électroménager sur le dispositif antibasculement.

## STEP 3 INSTALL ANTI-TIP BRACKETS (Cont.)

### ⚠ ADVERTENCIA Riesgo de Caídas

Estos electrodomésticos son inestables, especialmente cuando una puerta se encuentre abierta, y deben estar asegurados a fin de evitar caídas hacia adelante que podrían resultar en la muerte o en lesiones graves. Lea y siga las instrucciones de instalación en su totalidad para asegurar el electrodoméstico con el sistema anti volcaduras.

- Remove the anti-tip bracket(s) from the hardware kit.
- Secure anti-tip brackets to the floor so that the back side of the anti-tip bracket is 22 5/8" (57.5 cm) from the front of the enclosure (bracket hardware is provided for mounting into wood and concrete).
- Measure and mark from the right side of the opening per the dimensions shown.
- Mount the anti-tip bracket centered about the marks



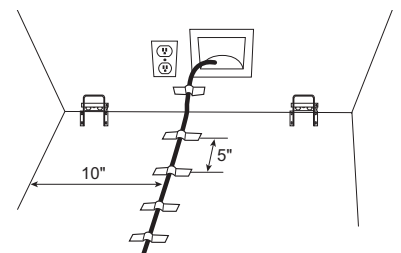
and flush to the floor as shown. Mark 3 holes for wall mounting or 4 holes for floor mounting.

**WOOD MOUNTING:** Predrill with 3/16" drill bit, 2" deep, then install provided lag bolts with a 3/8" driver.

**CONCRETE MOUNTING:** Predrill with a 5/32" concrete bit, 2" deep, then install provided tapcon screws with a 5/16" driver.

**NOTE:** For substrates not listed above, contact a licensed contractor to determine the appropriate hardware.

- The bracket must be screwed to either the FLOOR or REAR WALL.
- Tape the waterline to the wall and floor as shown below. Waterline should be 10" (25.4 cm) away from adjacent wall. Apply tape about every 5" (12.7 cm) toward front of unit. This will keep the waterline away from the anti-tip bracket(s) and prevent the unit from rolling over the waterline during installation. Do not tape near the cabinet front in order to keep tape hidden under the unit.



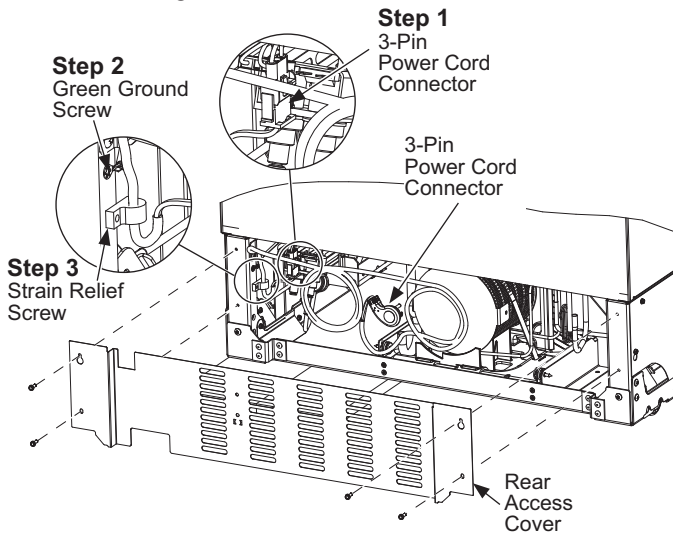
# Installation Instructions - Single Standard Installation

## STEP 4 CHANGE POWER CORD

If your electrical outlet location requires a longer power cord, follow the instructions below to change to the longer power cord provided with the standard install kit.

**Remove existing short power cord with string assembly:**

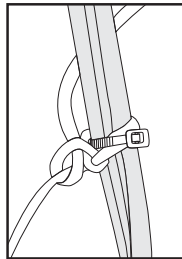
- Remove 1/4" hex screws attaching rear access cover.
  1. Unplug 3-pin power cord connector inside the machine compartment (press on sides to release locking tabs).
  2. Remove power cord green ground 1/4" hex screw.
  3. Remove strain relief 1/4" hex screw.
  4. Remove string from short power cord by cutting the string near the wire tie.



**Install new longer power cord:**

1. Tie string around longer power cord 18 inches from strain relief and put wire tie on as shown.
2. Plug in the 3-pin connector (make sure locking tabs are engaged).
3. Install the power cord green ground screw.
4. Install the power cord strain relief.

**Note:** Do not over tighten wire tie. Over tightening could cause damage to power cord.



## STEP 4 CHANGE POWER CORD (Cont.)

### ⚠ WARNING Electrical Shock Hazard.

Death or serious injury can result from failure to follow these instructions.

- Service by a qualified service technician only.
- Disconnect power before servicing this product.
- Reconnect all grounding devices after service.
- Replace all parts and panels before operating.

### ⚠ AVERTISSEMENT Risque

**d'électrocution.** L'omission d'observer ces instructions peut occasionner des blessures graves ou mortelles.

- L'entretien et la réparation du produit doivent être effectués par un technicien qualifié seulement.
- Débranchez l'alimentation électrique avant d'entretenir ou de réparer ce produit.
- Rebranchez tous les dispositifs de mise à la terre après l'entretien ou la réparation.
- Remettez en place toutes les pièces et tous les panneaux avant l'utilisation

### ⚠ ADVERTENCIA Riesgo de Descarga

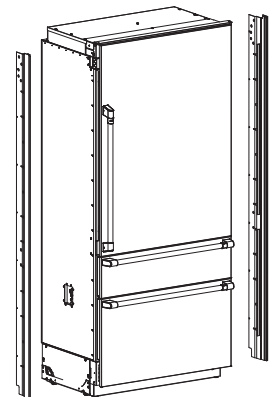
**Eléctrica** Se podrá producir la muerte o daños graves como resultado de no seguir estas instrucciones.

- El servicio técnico deberá ser realizado por un técnico calificado del servicio únicamente.
- Desconecte el cable de corriente antes de realizar el servicio técnico de este producto.
- Vuelva a conectar todos los dispositivos de conexión a tierra luego de realizar el servicio técnico.
- Vuelva a colocar todas las piezas y paneles antes del uso.

- Replace rear access cover. Make sure the power cord is properly routed through the access cover cut-out.

## STEP 5 CASE TRIM INSTALLATION

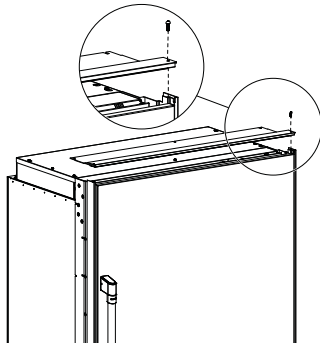
- Install the trim kit side rails to the exposed right and left case walls using the provided #8 Phillips head screws - 8 screws per side.



# Installation Instructions - Single Standard Installation

## STEP 5 CASE TRIM INSTALLATION (Cont.)

- Loosen the top cover hex head screws so that the slots in the top trim can slide between the hex head screws and the top cover.
- Fit the top trim and side trim rails together by sliding the exposed edges of the corner trim into the right and left trim kit side rails. Align and drive the two number 8-32 Phillips head screws into the screw holes in the side rails to ensure the top trim is snugly fit to the side rails.
- Tighten the top cover hex head screws so that the top trim is secured to the cabinet.



## STEP 6 CONNECTING WATER SUPPLY

**▲ WARNING** Connect to potable water supply only. A cold water supply is required for automatic icemaker operation. The water pressure must be between 40 and 120 psi (275-827 kilopascals).

**▲ AVERTISSEMENT** Raccordez l'appareil à une alimentation d'eau potable seulement. Une alimentation d'eau froide est requise pour faire fonctionner la machine à glaçons et le pichet à remplissage automatique. La pression d'eau doit se situer entre 40 et 120 psi. (275 à 827 kPa).

**▲ ADVERTENCIA** Realice la conexión a un suministro de agua potable únicamente. Se requiere un suministro de agua fría para el funcionamiento de la máquina de hielos automática y de la jarra de llenado automático. La presión del agua deberá estar entre 40 y 120 p.s.i. (275 – 827 kPa).

**▲ WARNING**  **ELECTRIC SHOCK HAZARD**  
Attach tubing clamp using existing hole only. DO NOT drill into the refrigerator.

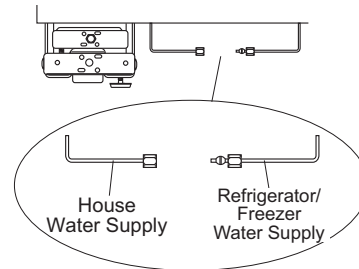
## STEP 6 CONNECTING WATER SUPPLY (Cont.)

**▲ AVERTISSEMENT**  **RISQUE DE DÉCHARGE ÉLECTRIQUE**

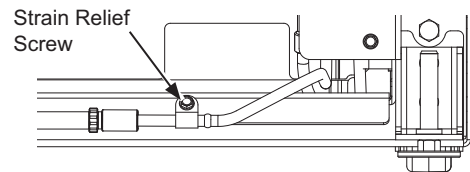
Fixez le collier de serrage dans le trou présent seulement. NE PERCEZ PAS dans le réfrigérateur.

**▲ ADVERTENCIA**  **PELIGRO DE DESCARGA ELÉCTRICA**

Adhiera la abrazadera de la tubería usando el agujero existente únicamente. NO perforo el refrigerador.



- Locate and bring the tubing to the front of the cabinet.
- Turn the water on to flush debris from the line. Run about a quart of water through the tubing into a bucket, then shut off the water.
- Remove strain relief screw to allow for enough slack to make a proper water connection. (Screw must be replaced in the next step.)



### Copper Tubing:

- Slip a 1/4" nut and ferrule over both ends of the copper tubing. Insert the tube into the union fitting on the unit and tighten the nut to the union.
- Turn on the water to check for leaks.

### SmartConnect™ Tubing:

**NOTE:** The only Café-approved plastic tubing is supplied in the SmartConnect™ Refrigerator Tubing kits. Do not use any other plastic water supply line because the line is under pressure at all times. Other types of plastic may crack or rupture with age and cause water damage to your home.

- Insert the molded end of the tubing into the refrigerator or freezer connection. Tighten the compression nut until it is just hand-tight.
- Follow the instructions provided with the tubing. Overtightening can cause leaks!
- Turn on the water to check for leaks.

# Installation Instructions - Single Standard Installation

## STEP 7 INSERTING/SECURING INTO CABINET SURROUND

- Plug unit into the outlet in the wall.

### **⚠ WARNING** **Electrical Shock Hazard.**

To reduce the risk of electrical shock, be careful during the remaining installation steps not to touch wiring or electrical components inside the compressor compartment while the appliance is plugged in and the front access cover is not in place.

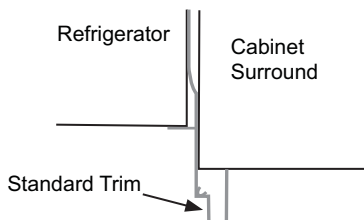
### **⚠ AVERTISSEMENT** **Risque d'électrocution.**

Afin de réduire le risque d'électrocution, usez de prudence lors des étapes d'installation suivantes afin de ne pas toucher au câblage ou composants électriques à l'intérieur du compartiment du compresseur une fois que l'électroménager est branché sans le couvercle d'accès refermé.

### **⚠ ADVERTENCIA** **Riesgo de Descarga Eléctrica.**

A fin de reducir el riesgo de descarga eléctrica, tenga cuidado en los pasos restantes de la instalación de no tocar el cableado ni los componentes eléctricos dentro del compartimiento del compresor mientras el electrodoméstico está enchufado y la tapa de acceso frontal no está en su lugar.

- Find the installation string that is attached to the front of the unit; this is to be used as you are pushing the unit back into the opening. The string is attached to the power cord; as you walk the unit back into the opening you should pull the string tight to make sure the power cord is routed underneath the unit.
- Slowly walk the unit into opening making sure not to touch the cabinetry on the sides and top to prevent damage. The back side of the top and side standard trims should be touching the cabinet surround when the units are pushed back.



### **⚠ WARNING** **Tip Over Hazard.**

These appliances are top heavy, especially with any doors open, and must be secured to prevent tipping forward which could result in death or serious injury.

### **⚠ AVERTISSEMENT** **Trisque de basculement.**

Ces électroménagers sont lourds du haut, notamment lorsqu'une porte est ouverte, de sorte qu'ils doivent être fixés pour prévenir un basculement vers l'avant susceptible d'occasionner des blessures graves ou la mort.

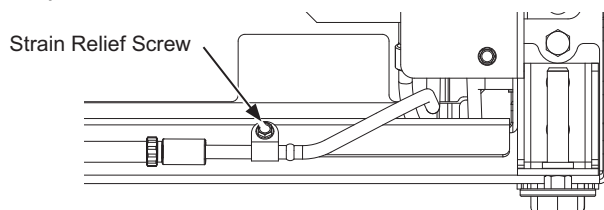
### **⚠ ADVERTENCIA** **Riesgo de Caída**

Estos electrodomésticos son inestables, especialmente cuando una puerta se encuentre abierta, y deben estar asegurados a fin de evitar caídas hacia adelante que podrían resultar en la muerte o en lesiones graves

- Place power cord on its edge and pull under product between rollers and away from the anti-tip bracket to ensure cord is not damaged during installation.
- As you walk the unit back into the opening, you should pull the string tight to make sure the power cord is routed underneath the unit.



- Replace the waterline strain relief screw.



- Store the excess strapping, string, and water tubing under the unit.

### **⚠ WARNING** **Electrical Shock Hazard.**

Replace waterline strain relief in front rail location as shown.

### **⚠ AVERTISSEMENT** **Risque d'électrocution.**

Reposez la vis de décharge de tension dans le profilé avant comme illustré.

### **⚠ ADVERTENCIA** **Riesgo de Descarga Eléctrica**

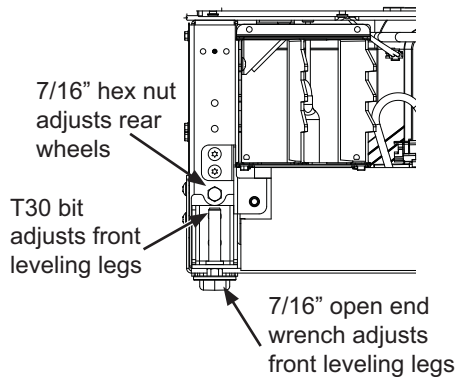
Reemplace el amortiguador de refuerzo de la tubería de agua frente a la ubicación del riel, como se muestra.

# Installation Instructions - Single Standard Installation

## STEP 8 LEVEL UNIT

All models have 4-point leveling. The front is supported by leveling legs; the rear is supported by adjustable wheels. Both are accessible from the front of the unit.

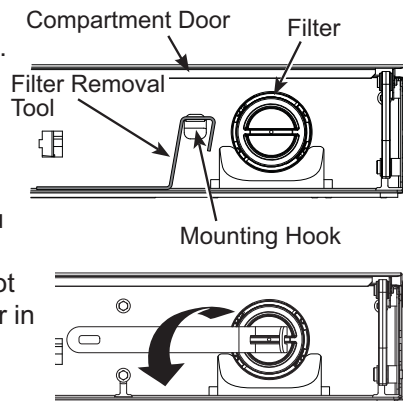
- To level the back of the unit, turn the 7/16" hex nut located above the front leveling legs. Turn clockwise to raise or counterclockwise to lower the unit.
- For front leveling, use a T-30 bit at the top of the leveling leg or a 7/16" open-end wrench at the bottom of the leveling leg.
- Adjust height of unit to match installation cutout opening 84". The unit should be level and plumb with cabinetry. The front wheels must be a minimum of 1/8" (0.3 cm) off the floor.



**NOTICE:** The rear leveling wheels and front leveling legs are limited to a maximum height adjustment of 1". If the installation requires more than 84" height, the installer should elevate the unit on a sheet of plywood or runners. Cabinetry trim could also be added across the top of the opening to shorten the opening. If you attempt to raise the unit more than 1", you will damage the front leveling legs and the rear leveling wheels.

## STEP 9 FINAL EXTERNAL UNIT PREPARATION

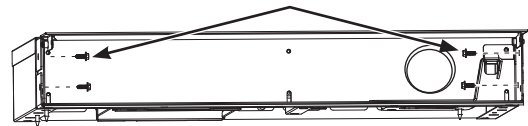
- Open the door(s) to the unit. Locate filter and filter removal tool. Filter should be as shown.
- Rotate filter 1/4 turn counterclockwise (use filter removal tool if needed).
- Pull filter toward you to remove. **NOTE:** Water system will not function without filter in place.



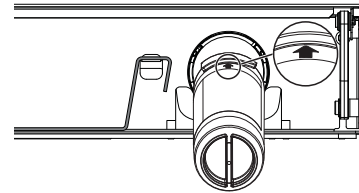
## STEP 9 FINAL EXTERNAL UNIT PREPARATION (Cont.)

- Predrill 1/16" holes in both the sides of the surround 1/2" deep through holes in the enclosure.
- Secure unit by driving four 1/4" hex screws to both sides to surrounding cabinetry. Use 90 degree tool or alternate extension. **NOTE:** This step does NOT replace the anti-tip safety hardware. Refer to Step 4 Installing Anti-Tip Bracket and Step 7 Inserting/Securing into Cabinet Surround for details on installing the anti-tip hardware. For dual installations, repeat for the second unit.

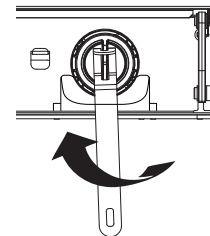
1/4" Hex Screws



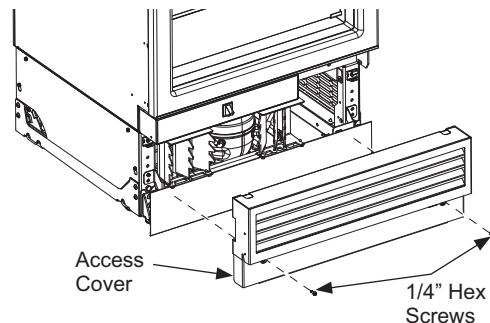
- Locate blue arrow on filter. Rotate filter to align arrow as shown.



- Insert filter into position and rotate 1/4 turn clockwise (use filter removal tool if needed).



- Return filter removal tool to mounting hook.
- Close the compartment door.
- Put the access cover back onto the unit and secure with two 1/4" hex head screws.

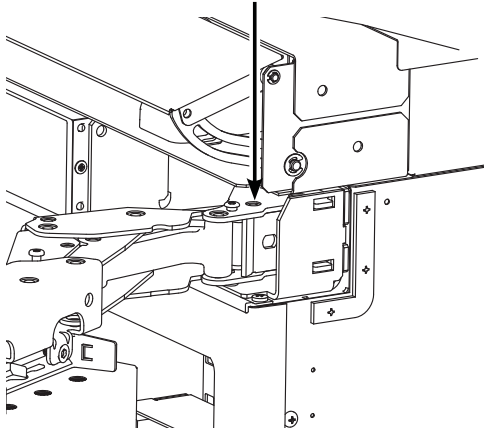




# Installation Instructions - Single Standard Installation

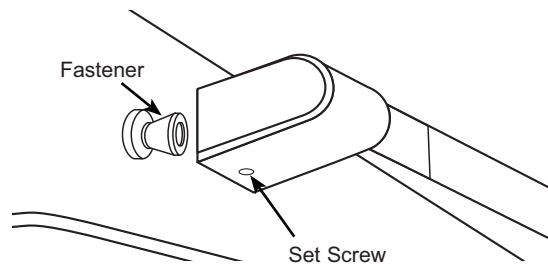
## STEP 9 FINAL EXTERNAL UNIT PREPARATION (Cont.)

- If installation requires a 90° door opening, the hinge limiter pin(s) must be installed in the top hinge(s) **BEFORE** the unit is removed from the shipping skid. Pin is located in the hardware kit.
  - Open the door to expose the hole in the back hinge bracket and install the limiting pin. Pin must be fully seated in the hinge or the door will not close properly.



## STEP 10 HANDLE INSTALLATION

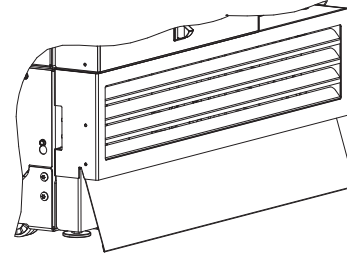
- Make sure the set screws in the handle caps are loosened. Place the handle over the fasteners on the door (we recommend putting the screw side of the handle toward the less visible side). Take care to support the handle so it doesn't fall and scratch the appliance finish. Make sure both of the handle caps are resting on the face of the door.



- Lock one end of the handle into position by tightening the set screw in the handle cap with the 1/8" Allen wrench. Be sure not to over tighten.
- Keep supporting the handle as you lock the other end of the handle into position by tightening the set screw in the handle cap with the 1/8" Allen wrench. Be sure not to over tighten.
- Repeat these instructions on all other handles.

## STEP 11 TOE KICK INSTALLATION

- Use the stainless steel toe kick provided with the Single Standard Installation Kit ZKW36V. The toe kick and toe kick magnet that shipped with the unit will not be used in this type of installation.
- Position toe kick on bottom portion of front access cover.



## STEP 12 INTERNAL UNIT PREPARATION

- Remove all tape, cardboard, and foam from each unit.
- Remove boxed door bins from shelves.
- Unbox and install door bins.



# Installation Instructions - Single Standard Installation

## STEP 13 START ICEMAKER

### ⚠ CAUTION

To minimize the risk of personal injury, avoid contact with the moving parts of the ejector mechanism, or with the heating element that releases the cubes. Do not place fingers or hands on the automatic ice making mechanism while the appliance is plugged in.

### ⚠ ATTENTION

Afin de réduire le risque de blessure, évitez tout contact avec les pièces mobiles du mécanisme d'éjection ou l'élément chauffant qui libère les cubes. Ne placez pas les doigts ou les mains sur le mécanisme de production de glace automatique lorsque l'électroménager est branché dans la prise électrique.

### ⚠ PRECAUCIÓN

Para minimizar el riesgo de lesiones personales, evite el contacto con las partes móviles del mecanismo eyector o con el elemento de calefacción que libera los cubos. No coloque los dedos ni las manos en el mecanismo de la máquina de hielo automática mientras el electrodoméstico se encuentre enchufado.

**A newly-installed freezer may take 12–24 hours to begin making ice.**

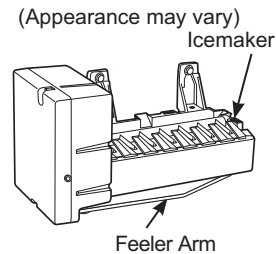
The icemaker will produce seven cubes per cycle—approximately 15 cycles in a 24-hour period, depending on freezer compartment temperature, room temperature, number of door openings and other use conditions.

If the freezer is operated before the water connection is made to the icemaker, turn the ice maker off by pressing and holding the **Zone Select** pad until **Ice Off** appears.

When water has been connected to the water supply, turn the ice maker on by pressing and holding the **Zone Select** pad until **Ice On** appears.

Throw away the first full bucket of ice to allow the water line to clear.

Be sure nothing interferes with the sweep of the feeler arm.



When the bin fills to the level of the feeler arm, the icemaker will stop producing ice.

It is normal for several cubes to be joined together.

If ice is not used frequently, old ice cubes will become cloudy, taste stale and shrink.

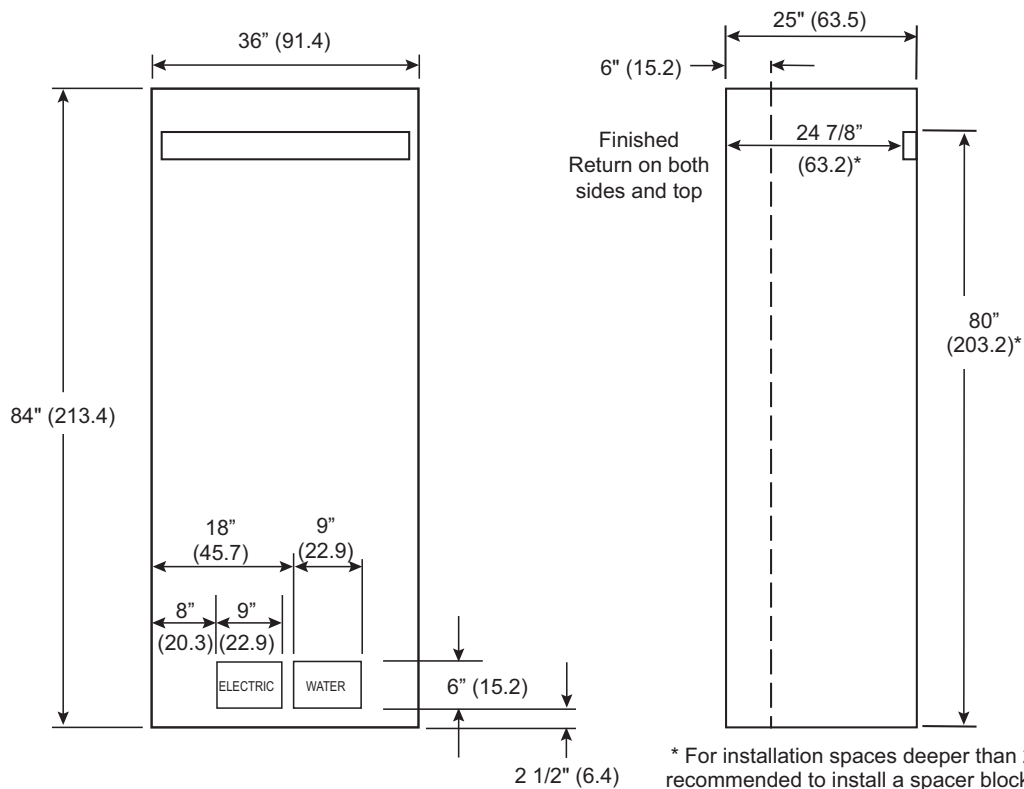
**NOTE:** Icemaker works best between 40 and 120 PSI (275-827 kPa) home water pressure.

**Instructions for Single Integrated Installation**  
**New construction installation with 25" deep openings**

# Design Guide - Single Integrated Installation

## SINGLE INTEGRATED INSTALLATION SPACE

Dimensions in parentheses are in centimeters.



\* For installation spaces deeper than 25", it is recommended to install a spacer block per the dimensions shown.

### Product Clearances

These units are equipped with a 2-position door stop. The factory set 115° door swing can be adjusted to 90° if clearance to adjacent cabinets or walls is restricted.

Refer to Dim A on page 5 for clearances needed for door swing.

### Water And Electrical Locations

Electrical and water supply must be located as shown.

### The Cutout Depth Must Be 25".

### Additional Specifications

- A 115 volt 60Hz., 15 or 20 amp power supply is required. An individual properly grounded branch circuit or circuit breaker is recommended. Install a properly grounded 3-prong electrical receptacle recessed into the back wall. Electrical must be located on rear wall as shown.
- Water line must be located on the back wall as shown. The water line should be 1/4" O.D. copper tubing or QuickConnect™ kit (WX08X10006) between the cold water line and water connection location, long enough to extend to the front of the unit (8' [2.4 m]). Installation of an easily accessible shut-off valve in the water line is required.
- A minimum of 6" (15.2 cm) finished return matching cabinet exterior is recommended on interior on all sides and top at front of opening.

# Installation Instructions - Single Integrated Installation

## REFRIGERATOR/FREEZER LOCATION

- Do not install the refrigerator/freezer where the temperature will go below 55°F (13°C). It will not run often enough to maintain proper temperatures.
- Do not install the refrigerator/freezer where temperatures will go above 100°F (37°C). It will not perform properly.
- Do not install the refrigerator/freezer in a location exposed to water (rain, etc.) or direct sunlight.
- Install it on a floor strong enough to support it fully loaded.

## TOOLS AND MATERIALS REQUIRED

- Metal shears (recommended)
- #1, #2 Phillips screwdriver
- Flathead screwdriver
- Putty knife (recommended)
- Measuring tape
- Drill and 1/16", 5/64", 3/16", 1/2" bits
- 5/32" concrete bit (if installing anti-tip into concrete)
- 1/4", 3/8", 7/16" driver/socket
- 7/16" open wrench
- T10, T20, T30 driver/bit
- 1/8", 1/4" hex driver (allen wrench)
- Level
- Water shut-off valves (optional but recommended)
- 8' waterline
- Masking tape
- Rubbing alcohol
- 10" Adjustable wrench
- Center punch
- Handle Kits (if applicable)
- Small Ratchet 1/4" or 3/8"
- 90° Right Angle Driver or a minimum 8" long, 1/4" diameter bit extender

## HARDWARE SUPPLIED (per unit)

- 2 Anti-Tip brackets
- 4 Lag screws
- 3 Tapcon screws
- (4) 1/4" Hex Screws
- 2 Hinge limiter pins
- Door Trim Kit

## GROUNDING THE UNIT

### **⚠ WARNING** **Electrical Shock**

**Hazard.** Failure to follow these instructions can result in death, fire, or electrical shock.

### **⚠ AVERTISSEMENT** **Risque d'électrocution**

Le non-respect de ces instructions peut occasionner un décès, un incendie ou un choc électrique

### **⚠ ADVERTENCIA** **Riesgo de Descarga**

**Si no se siguen estas instrucciones, se podrá producir la muerte, incendios o descargas eléctricas.**

The power cord of this appliance is equipped with a 3-prong (grounding) plug which mates with a standard 3-prong (grounding) wall receptacle to minimize the possibility of electric shock hazard from this appliance.

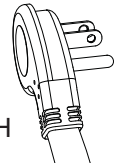
Have the wall outlet and circuit checked by a qualified electrician to make sure the outlet is properly grounded.

Where a standard 2-prong wall outlet is encountered, it is your personal responsibility and obligation to have it replaced with a properly grounded 3-prong wall outlet.

**DO NOT, UNDER ANY CIRCUMSTANCES, CUT OR REMOVE THE THIRD (GROUND) PRONG FROM THE POWER CORD.**

**DO NOT USE AN ADAPTER PLUG TO CONNECT THE REFRIGERATOR TO A 2-PRONG OUTLET.**

**DO NOT USE AN EXTENSION CORD WITH THIS APPLIANCE.**



## FLOORING

For proper installation, this product must be placed on a level surface of hard material that is at the same height as the rest of the flooring. This surface should be strong enough to support a fully loaded refrigerator or freezer, or approximately 1,200 lbs. per unit.

**NOTE:** Protect the finish of the flooring.

**NOTE:** Not recommended for installation on carpeted flooring.

# Installation Instructions - Single Integrated Installation

## STEP 1 REMOVE PACKAGING

### ▲ WARNING



### Tip Over Hazard.

These appliances are top heavy, especially with any doors open, and must be secured to prevent tipping forward which could result in death or serious injury.

### ▲ AVERTISSEMENT



### Risque de

**basculement.** Cet électroménager est lourd du haut. Utilisez d'extrême prudence en le déplaçant afin de prévenir un basculement susceptible d'occasionner des blessures graves ou la mort.

### ▲ ADVERTENCIA



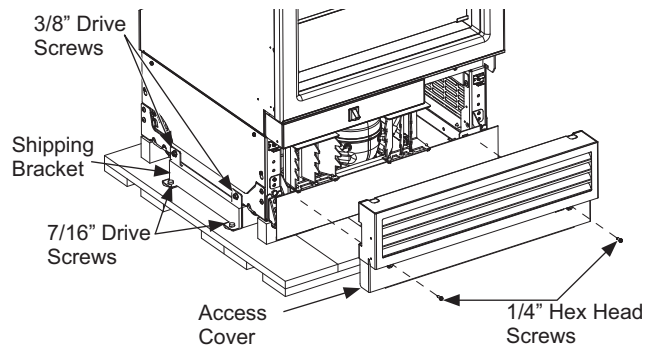
### Riesgo de Caída.

Este electrodoméstico es inestable. Tenga extremo cuidado al moverlo, a fin de evitar caídas hacia adelante que podrían resultar en la muerte o lesiones graves.

- Remove outer carton and external packing from units.
- There is a box of parts taped to the outside of the refrigerator. This box includes a toe kick for single integrated installations and door parts that will be installed after the door panel adjustments are complete. Save these parts.
- Inspect for damage.
- Ensure the flooring that the units are set is clean/free of debris that could be collected on to, or pinched in front of the wheels and damaging the

floor. Additionally, it is recommended that the floor be protected with a plastic covering through out the installation process.

- Remove handles from inside the refrigerator compartment.
- Remove hardware kits that are located inside the unit.
- Remove front access cover from unit by removing two 1/4" hex head screws. Place the cover and screws to the side for future installation.
- Remove two 3/8" drive screws and two 7/16" drive screws from each side of the unit to release it from the shipping skid. Tip the unit from the side enough to remove the shipping material from under the unit, but above the shipping skid (both sides)



- CAREFULLY roll the unit off the back side of the shipping skid.
- Handle from side only with a hand truck.


# Installation Instructions - Single Integrated Installation

## STEP 2 INSTALL WATER LINE

**▲ WARNING** Connect to potable water supply only. A cold water supply is required for automatic icemaker operation. The water pressure must be between 40 and 120 psi (275-827 kilopascals).

**▲ AVERTISSEMENT** Raccordez l'appareil à une alimentation d'eau potable seulement. Une alimentation d'eau froide est requise pour faire fonctionner la machine à glaçons et le pichet à remplissage automatique. La pression d'eau doit se situer entre 40 et 120 psi. (275 à 827 kPa).

**▲ ADVERTENCIA** Realice la conexión a un suministro de agua potable únicamente. Se requiere un suministro de agua fría para el funcionamiento de la jarra automática. La presión del agua deberá estar entre 40 y 120 p.s.i. (275 – 827 kPa).

**▲ WARNING**  **ELECTRIC SHOCK HAZARD**  
Attach tubing clamp using existing hole only. DO NOT drill into the refrigerator.

**▲ AVERTISSEMENT**  **RISQUE DE DÉCHARGE ÉLECTRIQUE**  
Fixez le collier de serrage dans le trou présent seulement. NE PERCEZ PAS dans le réfrigérateur.

**▲ ADVERTENCIA**  **PELIGRO DE DESCARGA ELÉCTRICA**  
Adhiera la abrazadera de la tubería usando el agujero existente únicamente. NO perforo el refrigerador.

### Shut off the main water supply.

Turn on the nearest faucet long enough to clear the line of water.

- It is recommended that you install a shut-off valve between the water valve and cold water pipe in a basement or adjacent cabinet. **The shut-off valve should be located where it will be easily accessible.**
- Turn on the main water supply and flush debris. Run about a quart of water through the tubing into a bucket. Shut off water supply at the shut-off valve.

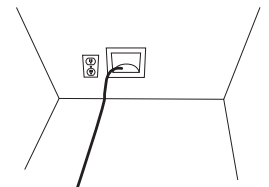
**NOTE:** Saddle type shut-off valves are not recommended but are included in many water supply kits. Before purchasing, make sure a saddle type valve complies with your local plumbing codes.

**NOTE:** Commonwealth of Massachusetts Plumbing Codes 248CMR shall be adhered to. Saddle valves are illegal and use is not permitted in Massachusetts. Consult with your licensed plumber.

- Route 1/4" OD copper or SmartConnect™ (WX08X10006) plastic tubing between house cold water line and the water connection location at the front of the unit.

SmartConnect™ Refrigerator Tubing Kits are available. One 8' (2.4m) water line (WX08X10006) is needed for each unit. The waterline will be taped to the floor using masking tape after anti-tip bracket installation.

- Tubing should be long enough to extend to the front of the unit. Allow enough tubing to accommodate bend leading into the water line connection.



**NOTE:** The only Café approved plastic tubing is supplied in the SmartConnect™ Refrigerator Tubing kits. Do not use any other plastic water supply line because the line is under pressure at all times. Other types of plastic may crack or rupture with age and cause water damage to your home.



# Installation Instructions - Single Integrated Installation

## STEP 3 INSTALL ANTI-TIP BRACKETS

### ⚠ WARNING Tip Over Hazard.

This appliance is top heavy, especially with any doors open, and must be secured to prevent tipping forward which could result in death or serious injury. Read and follow the entire installation instructions for securing the appliance with the anti-tip system.

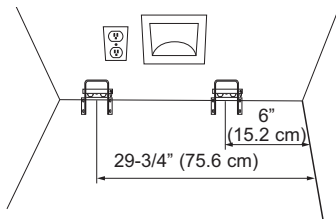
### ⚠ AVERTISSEMENT Risque de

**basculement.** Cet électroménager est lourd du haut. Utilisez d'extrême prudence en le déplaçant afin de prévenir un basculement susceptible d'occasionner des blessures graves ou la mort. Lisez et observez la totalité des instructions d'installation pour connaître la façon de fixer l'électroménager sur le dispositif antibasculement.

### ⚠ ADVERTENCIA Riesgo de

**Caídas** Estos electrodomésticos son inestables, especialmente cuando una puerta se encuentre abierta, y deben estar asegurados a fin de evitar caídas hacia adelante que podrían resultar en la muerte o en lesiones graves. Lea y siga las instrucciones de instalación en su totalidad para asegurar el electrodoméstico con el sistema anti volcaduras.

- Remove the anti-tip bracket(s) from the hardware kit.
- Anti-tip brackets should be mounted against the back wall unless the enclosure is deeper than 25-1/2" (64.7 cm). If the enclosure is deeper than 25-1/2", the anti-tip bracket should be secured to the floor so that the back side of the anti-tip bracket is 25" from the front of the enclosure (bracket hardware is provided for mounting into wood and concrete).



## STEP 3 INSTALL ANTI-TIP BRACKETS (Cont.)

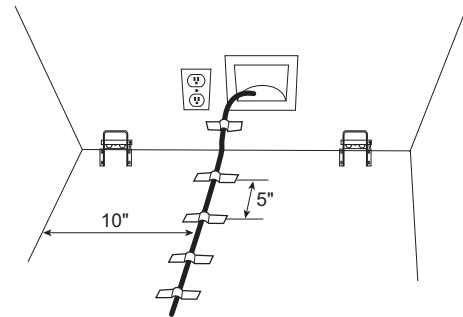
- Measure and mark from the right side of the opening per the dimensions shown.
- Mount the anti-tip bracket centered about the mark and flush to the floor as shown. Mark 3 holes for wall mounting or 4 holes for floor mounting.

**WOOD MOUNTING:** Predrill with 3/16" drill bit, 2" deep, then install provided lag bolts with a 3/8" driver.

**CONCRETE MOUNTING:** Predrill with a 5/32" concrete bit, 2" deep, then install provided tapcon screws with a 5/16" driver.

**NOTE:** For substrates not listed above, contact a licensed contractor to determine the appropriate hardware.

- The bracket must be screwed to either the FLOOR or REAR WALL.
- Tape the waterline to the wall and floor as shown below. Waterline should be 10" (25.4 cm) away from adjacent wall. Apply tape about every 5" (12.7 cm) toward front of unit. This will keep the waterline away from the anti-tip bracket(s) and prevent the unit from rolling over the waterline during installation. Do not tape near the cabinet front in order to keep tape hidden under the unit.



# Installation Instructions - Single Integrated Installation

## STEP 4 CONNECT WATER SUPPLY

**▲ WARNING** Connect to potable water supply only. A cold water supply is required for automatic icemaker operation. The water pressure must be between 40 and 120 psi (275-827 kilopascals).

**▲ WARNING**  **ELECTRIC SHOCK HAZARD**  
Attach tubing clamp using existing hole only. DO NOT drill into the refrigerator.

**▲ AVERTISSEMENT** Raccordez l'appareil à une alimentation d'eau potable seulement. Une alimentation d'eau froide est requise pour faire fonctionner la machine à glaçons et le pichet à remplissage automatique. La pression d'eau doit se situer entre 40 et 120 psi. (275 à 827 kPa).

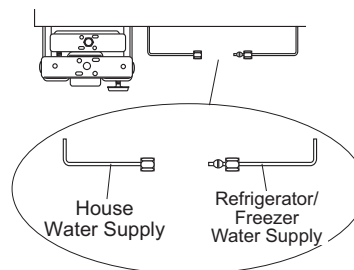
**▲ AVERTISSEMENT**  **RISQUE DE DÉCHARGE ÉLECTRIQUE**  
Fixez le collier de serrage dans le trou présent seulement. NE PERCEZ PAS dans le réfrigérateur.

**▲ ADVERTENCIA** Realice la conexión a un suministro de agua potable únicamente. Se requiere un suministro de agua fría para el funcionamiento de la máquina de hielos automática y de la jarra de llenado automático. La presión del agua deberá estar entre 40 y 120 p.s.i. (275 – 827 kPa).

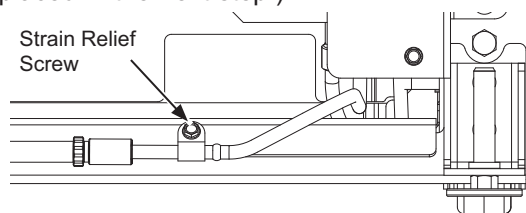
**▲ ADVERTENCIA**  **PELIGRO DE DESCARGA ELÉCTRICA**  
Adhiera la abrazadera de la tubería usando el agujero existente únicamente. NO perforo el refrigerador.

- Locate and bring the tubing to the front of the cabinet.
- Turn the water on to flush debris from the line. Run about a quart of water through the tubing into a bucket, then shut off the water.

## STEP 4 CONNECT WATER SUPPLY (Cont.)



- Remove strain relief screw to allow for enough slack to make a proper water connection. (Screw must be replaced in the next step.)



### Copper Tubing:

- Slip a 1/4" nut and ferrule over both ends of the copper tubing. Insert the tube into the union fitting on the unit and tighten the nut to the union.
- Turn on the water to check for leaks.

### SmartConnect™ Tubing:

**NOTE:** The only Café-approved plastic tubing is supplied in the SmartConnect™ Refrigerator Tubing kits. Do not use any other plastic water supply line because the line is under pressure at all times. Other types of plastic may crack or rupture with age and cause water damage to your home.

- Insert the molded end of the tubing into the refrigerator or freezer connection. Tighten the compression nut until it is just hand-tight.
- Follow the instructions provided with the tubing. Overtightening can cause leaks!
- Turn on the water to check for leaks.

# Installation Instructions - Single Integrated Installation

## STEP 5 INSERTING/SECURING INTO CABINET SURROUND

- Plug unit into the outlet in the wall.

### ⚠ WARNING Electrical Shock Hazard.

To reduce the risk of electrical shock, be careful during the remaining installation steps not to touch wiring or electrical components inside the compressor compartment while the appliance is plugged in and the front access cover is not in place.

### ⚠ AVERTISSEMENT Risque

**d'électrocution.** Afin de réduire le risque d'électrocution, utilisez de prudence lors des étapes d'installation suivantes afin de ne pas toucher au câblage ou composants électriques à l'intérieur du compartiment du compresseur une fois que l'électroménager est branché sans le couvercle d'accès refermé.

### ⚠ ADVERTENCIA Riesgo de Descarga

**Eléctrica.** A fin de reducir el riesgo de descarga eléctrica, tenga cuidado en los pasos restantes de la instalación de no tocar el cableado ni los componentes eléctricos dentro del compartimiento del compresor mientras el electrodoméstico está enchufado y la tapa de acceso frontal no está en su lugar.

- Find the installation string that is attached to the front of the unit; this is to be used as you are pushing the unit back into the opening. The string is attached to the power cord; as you walk the unit back into the opening you should pull the string tight to make sure the power cord is routed underneath the unit.
- Slowly walk the unit into opening making sure not to touch the cabinetry on the sides and top to prevent damage. The Stainless Steel Door face should be flush with the front face of surrounding cabinets.

### ⚠ WARNING Tip Over Hazard.

This appliance is top heavy, especially with the door open, and must be secured to prevent tipping forward which could result in death or serious injury.

### ⚠ AVERTISSEMENT Trisque de

**basculement.** Ces électroménagers sont lourds du haut, notamment lorsqu'une porte est ouverte, de sorte qu'ils doivent être fixés pour prévenir un basculement vers l'avant susceptible d'occasionner des blessures graves ou la mort.

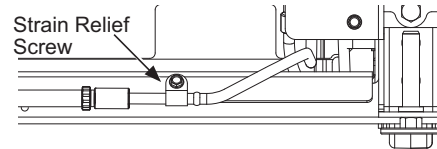
### ⚠ ADVERTENCIA Riesgo de Caída

Estos electrodomésticos son inestables, especialmente cuando una puerta se encuentre abierta, y deben estar asegurados a fin de evitar caídas hacia adelante que podrían resultar en la muerte o en lesiones graves

- Place power cord on its edge and pull under product between rollers and away from the anti-tip bracket to ensure cord is not damaged during installation.
- As you walk the unit back into the opening, you should pull the string tight to make sure the power cord is routed underneath the unit.



- Replace the waterline strain relief screw.



### ⚠ WARNING Electrical Shock Hazard.

Replace waterline strain relief in front rail location as shown.

### ⚠ AVERTISSEMENT Risque

**d'électrocution.** Reposez la vis de décharge de tension dans le profilé avant comme illustré.

### ⚠ ADVERTENCIA Riesgo de Descarga

**Eléctrica** Reemplace el amortiguador de refuerzo de la tubería de agua frente a la ubicación del riel, como se muestra.

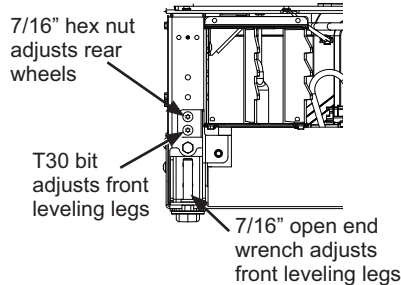
- Store the excess string and water tubing under the unit.

# Installation Instructions - Single Integrated Installation

## STEP 6 LEVEL UNIT

All models have 4-point leveling. The front is supported by leveling legs; the rear is supported by adjustable wheels. Both are accessible from the front of the unit.

- To level the back of the unit, turn the 7/16" hex nut located above the front leveling legs. Turn clockwise to raise or counterclockwise to lower the unit.
- For front leveling, use a T-30 bit at the top of the leveling leg or a 7/16" open-end wrench at the bottom of the leveling leg.
- Adjust height of unit to match installation cutout opening 84". The unit should be level and plumb with cabinetry. The front wheels must be a minimum of 1/8" (0.3 cm) off the floor.



**NOTICE:** The rear leveling wheels and front leveling legs are limited to a maximum height adjustment of 1". If the installation requires more than 84" height, the installer should elevate the unit on a sheet of plywood or runners. Cabinetry trim could also be added across the top of the opening to shorten the opening. If you attempt to raise the unit more than 1", you will damage the front leveling legs and the rear leveling wheels.

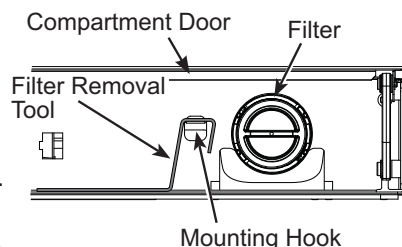
## STEP 7 Install Door Trims

Ensure anti-tip brackets are engaged with the back of the unit.

See Section Door Panel Adjustments and Trim Installation for details.

## STEP 8 FINAL EXTERNAL UNIT PREPARATION

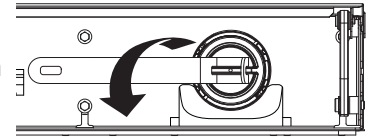
**FOR FLUSH INSTALLATION:** Make sure front surface of the door is flush with the front face of surrounding cabinets BEFORE securing brackets to the surrounding cabinetry.



- Open the door(s) to the unit. Locate filter and filter removal tool. Filter should be as shown.
- Rotate filter 1/4 turn counterclockwise (use filter removal tool if needed).

## STEP 8 FINAL EXTERNAL UNIT PREPARATION (Cont.)

- Pull filter toward you to remove. **NOTE:** Water system will not function without filter in place.
- Pre-drill 1/16" holes in both the sides of the surround 1/2" deep through holes in the enclosure.

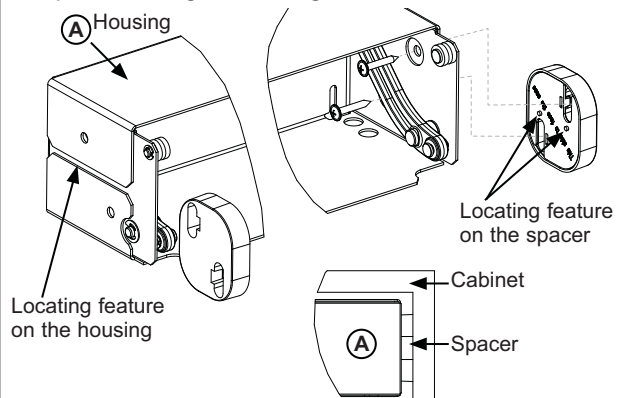


### CAUTION

Use gloves and arm guard when installing spacers.

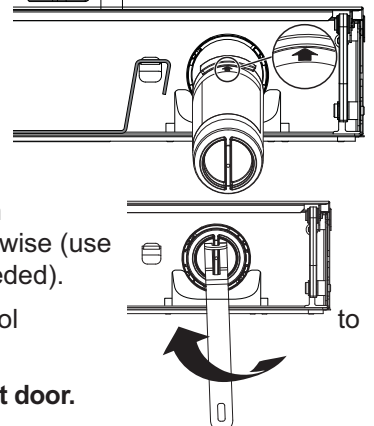
- Secure unit to surrounding cabinetry using the spacers and 1" Phillips screws provided with the unit. On Single Door models: Secure the handle side first before moving the hinge side. On French Door models, open one door and secure that side before moving to the other side.
- Open door to full extension and pass arm through opening between door and case to align spacers. Slide the spacers into place using the alignment features on the spacer and the side of the (A) housing until the spacer screw holes and housing screw holes are aligned. Drive the Phillips head screws through the housing into the surrounding cabinetry.

**NOTE:** This step does NOT replace the anti-tip safety hardware. Refer to Step 3 Installing Anti-Tip Bracket and Step 5 Inserting / Securing into Cabinet Surround for



details on installing the anti-tip hardware.

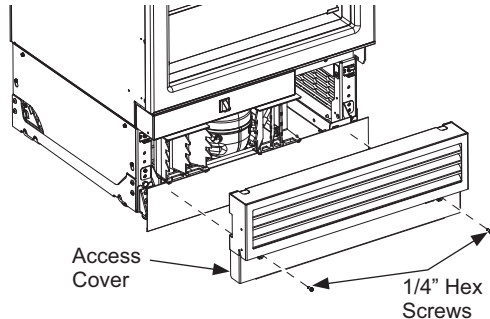
- Locate blue arrow on filter. Rotate filter to align arrow as shown.
- Insert filter into position and rotate 1/4 turn clockwise (use filter removal tool if needed).
- Return filter removal tool mounting hook.
- Close the compartment door.



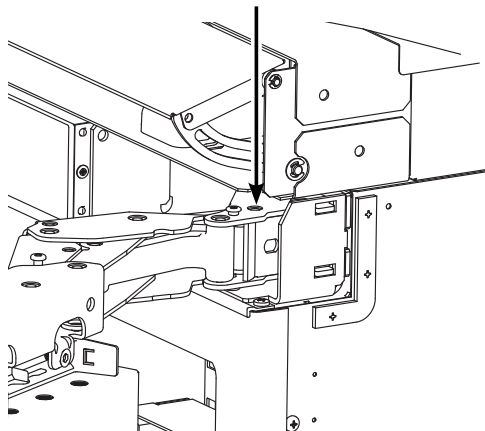
# Installation Instructions - Single Integrated Installation

## STEP 8 FINAL EXTERNAL UNIT PREPARATION (Cont.)

- Put the access cover back onto the unit and secure with two 1/4" hex head screws.

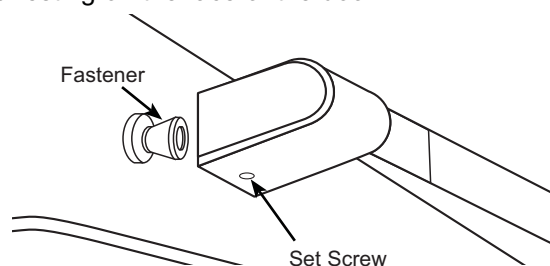


- If installation requires a 90° door opening, the hinge limiter pin(s) must be installed in the top hinge(s) **BEFORE** the unit is removed from the shipping skid. Pin is located in the hardware kit.
  - Open the door to expose the hole in the back hinge bracket and install the limiting pin. Pin must be fully seated in the hinge or the door will not close properly.



## STEP 9 HANDLE INSTALLATION

- Make sure the set screws in the handle caps are loosened. Place the handle over the fasteners on the door (we recommend putting the screw side of the handle toward the less visible side). Take care to support the handle so it doesn't fall and scratch the appliance finish. Make sure both of the handle caps are resting on the face of the door.

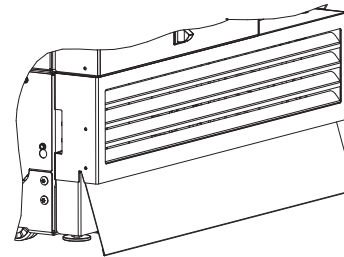


## STEP 9 HANDLE INSTALLATION (Cont.)

- Lock one end of the handle into position by tightening the set screw in the handle cap with the 1/8" Allen wrench. Be sure not to over tighten.
- Keep supporting the handle as you lock the other end of the handle into position by tightening the set screw in the handle cap with the 1/8" Allen wrench. Be sure not to over tighten.
- Repeat these instructions on all other handles.

## STEP 10 TOE KICK INSTALLATION

- A stainless steel toe kick and a magnet are included in the box of parts that was taped to the side of the unit.
- Adhere magnet to back side of toe kick. The surface of the toe kick where the magnet is to be placed must be clean and free of foreign material. Center magnet vertically and horizontally.
- Position toe kick on bottom portion of the front access cover.



## STEP 11 INTERNAL UNIT PREPARATION

- Remove all tape, cardboard, and foam from the unit.
- Remove boxed door bins from shelves.
- Unbox and install door bins.

# Installation Instructions - Single Integrated Installation

## STEP 12 START ICEMAKER

### ⚠ CAUTION

To minimize the risk of personal injury, avoid contact with the moving parts of the ejector mechanism, or with the heating element that releases the cubes. Do not place fingers or hands on the automatic ice making mechanism while the appliance is plugged in.

### ⚠ ATTENTION

Afin de réduire le risque de blessure, évitez tout contact avec les pièces mobiles du mécanisme d'éjection ou l'élément chauffant qui libère les cubes. Ne placez pas les doigts ou les mains sur le mécanisme de production de glace automatique lorsque l'électroménager est branché dans la prise électrique.

### ⚠ PRECAUCIÓN

Para minimizar el riesgo de lesiones personales, evite el contacto con las partes móviles del mecanismo eyector o con el elemento de calefacción que libera los cubos. No coloque los dedos ni las manos en el mecanismo de la máquina de hielo automática mientras el electrodoméstico se encuentre enchufado.

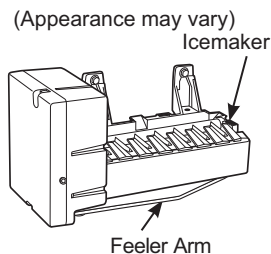
**A newly-installed freezer may take 12–24 hours to begin making ice.**

The icemaker will produce seven cubes per cycle—approximately 15 cycles in a 24-hour period, depending on freezer compartment temperature, room temperature, number of door openings and other use conditions.

If the freezer is operated before the water connection is made to the icemaker, turn the ice maker off by pressing and holding the Zone Select pad until Ice Off appears.

When water has been connected to the water supply, turn the icemaker on by pressing and holding the Zone Select pad until Ice On appears.

Throw away the first full bucket of ice to allow the water line to clear.



Be sure nothing interferes with the sweep of the feeler arm.

When the bin fills to the level of the feeler arm, the icemaker will stop producing ice.

It is normal for several cubes to be joined together.

If ice is not used frequently, old ice cubes will become cloudy, taste stale and shrink.

**NOTE:** Icemaker works best between 40 and 120 PSI (275-827 kPa) home water pressure.

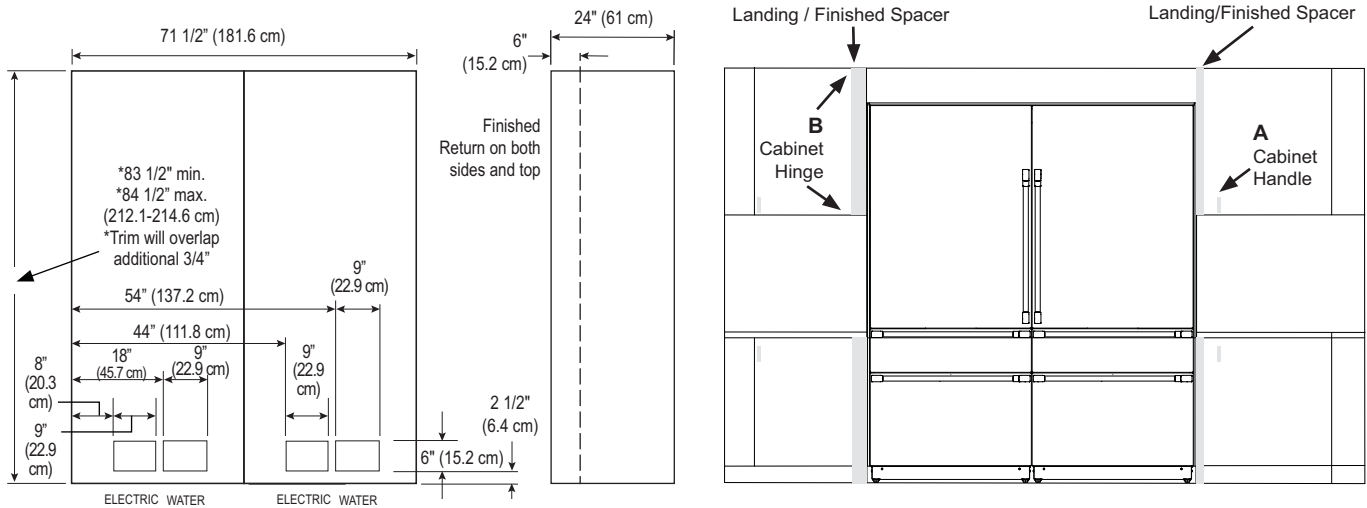


**Instructions for Dual Standard Installation**  
**Existing construction installation with 24” deep openings**  
**that are 71-1/2” wide**

# Design Guide - Dual Standard Installation

## DUAL STANDARD INSTALLATION SPACE

Dimensions in parentheses are in centimeters.



### For 24" Deep Cutouts

A trim kit (ZKW72V) is required for standard installations.

Heater Unification Kit ZKMV required

### Water And Electrical Locations

The recommended electrical location is shown in the diagram. If the electrical location is higher than shown, use the longer power cords provided in trim kit (ZKW72V). Follow instructions in step 6 to change power cord.

Water supply must be located as shown.

### Product Clearances

These units are equipped with a 2-position door stop. The factory set 115° door swing can be adjusted to 90° if clearance to adjacent cabinets or walls is restricted.

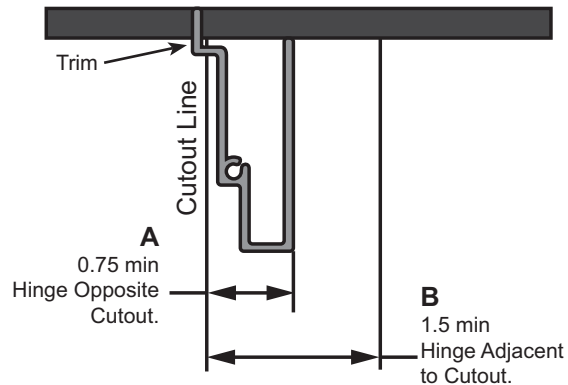
Refer to Dim A on page 5 for clearances needed for door swing.

### Additional Specifications

- A separate 115 volt 60Hz., 15 or 20 amp power supply is recommended for each product. An individual properly grounded branch circuit or circuit breaker is recommended. Install a properly grounded 3-prong electrical receptacle recessed into the back wall. Electrical must be located on rear wall as shown.
- Water line must be located on the back wall as shown. The water line should be 1/4" O.D. copper tubing or QuickConnect™ kit (WX08X10006) between the cold water line and water connection location, long enough to extend to the front of the unit (8' [2.4m]). Installation of an easily accessible shut-off valve in the water line is required.

### Minimum Clearance Dimensions with Trims Installed

- 3/4" Landing needed for cabinetry door/drawer edge adjacent with hinge opposite of cutout.
- 1-1/2" landing needed for cabinetry door/drawer edge with hinge adjacent to cutout.



- A.** Option clearance  
Cabinet Handle next to trim. 3/4" Minimum landing clearance (Matching Cabinet Finish) needed from cutout opening for Standard Trim.
- B.** Option clearance  
Cabinet hinge next to trim. 1-1/2" Minimum landing clearance (Matching Cabinet Finish) needed from cutout opening for Standard Trim to clear cabinetry door hinges.

# Installation Instructions - Dual Standard Installation

## REFRIGERATOR/FREEZER LOCATION

- Do not install the refrigerator/freezer where the temperature will go below 55°F (13°C). It will not run often enough to maintain proper temperatures.
- Do not install the refrigerator/freezer where temperatures will go above 100°F (37°C). It will not perform properly.
- Do not install the refrigerator/freezer in a location exposed to water (rain, etc.) or direct sunlight.
- Install it on a floor strong enough to support it fully loaded.

## TOOLS AND MATERIALS REQUIRED

- Metal shears (recommended)
- #1, #2 Phillips screwdriver
- Flathead screwdriver
- Putty knife (recommended)
- Measuring tape
- Drill and 1/16", 5/64", 3/16", 1/2" bits
- 5/32" concrete bit (if installing anti-tip into concrete)
- 1/4", 3/8", 7/16" driver/socket
- 7/16" open wrench
- T10, T20, T30 driver/bit
- 1/8", 1/4" hex driver (allen wrench)
- Level
- Water shut-off valves (optional but recommended)
- 8' waterline (one per unit requiring water hookup)
- Masking tape
- Rubbing alcohol
- 10" Adjustable wrench
- Center punch
- Heater Unification Kit (ZKMV) (for dual installation only)
- Handle Kits (if applicable)
- Small Ratchet 1/4" or 3/8"
- Standard Trim Kit (ZKW72V)
- Stainless Steel Toe Kick (if applicable)
- 90° Right Angle Driver or a minimum 8" long, 1/4" diameter bit extender

## HARDWARE SUPPLIED (per unit)

- Anti-Tip bracket (2)
- Lag screws
- Tapcon screws
- 1/4" Hex Screws
- Door Hardware Kit

## GROUNDING THE UNIT

### **⚠ WARNING** **Electrical Shock**

**Hazard.** Failure to follow these instructions can result in death, fire, or electrical shock.

### **⚠ AVERTISSEMENT** **Risque d'électrocution**

Le non-respect de ces instructions peut occasionner un décès, un incendie ou un choc électrique

### **⚠ ADVERTENCIA** **Riesgo de Descarga** **Si no se siguen estas instrucciones, se podrá producir la muerte, incendios o descargas eléctricas.**

The power cord of this appliance is equipped with a 3-prong (grounding) plug which mates with a standard 3-prong (grounding) wall receptacle to minimize the possibility of electric shock hazard from this appliance.

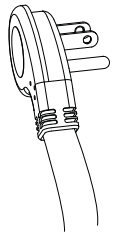
Have the wall outlet and circuit checked by a qualified electrician to make sure the outlet is properly grounded.

Where a standard 2-prong wall outlet is encountered, it is your personal responsibility and obligation to have it replaced with a properly grounded 3-prong wall outlet.

**DO NOT, UNDER ANY CIRCUMSTANCES, CUT OR REMOVE THE THIRD (GROUND) PRONG FROM THE POWER CORD.**

**DO NOT USE AN ADAPTER PLUG TO CONNECT THE REFRIGERATOR TO A 2-PRONG OUTLET.**

**DO NOT USE AN EXTENSION CORD WITH THIS APPLIANCE.**



## FLOORING

For proper installation, this product must be placed on a level surface of hard material that is at the same height as the rest of the flooring. This surface should be strong enough to support a fully loaded refrigerator or freezer, or approximately 1,200 lbs. per unit.

**NOTE:** Protect the finish of the flooring.


**NOTE:** Not recommended for installation on carpeted flooring.

# Installation Instructions - Dual Standard Installation


## KIT ZKMV PARTS SUPPLIED:

Adhesive Heater  
Transformer  
Front Mullion  
Trim Bracket  
Top Unification Bracket  
Bottom Front Unification Bracket  
Bottom Back Unification Bracket  
3 1/4" Hex Head 8-18 5/8" Long Screws  
5 1/4" Hex Head 8-32 5/8" Long Screws  
5 3/8" Hex Head 1/4-20 1/2" Long Screws  
4 wire clips

## STEP 1 REMOVE PACKAGING

**⚠ WARNING**  **Tip Over Hazard.** This appliance is top heavy. Use extreme caution with moving to prevent tipping over which could result in death or serious injury.

**⚠ AVERTISSEMENT**  **Risque de basculement.** Cet électroménager est lourd du haut. Utilisez d'extrême prudence en le déplaçant afin de prévenir un basculement susceptible d'occasionner des blessures graves ou la mort.

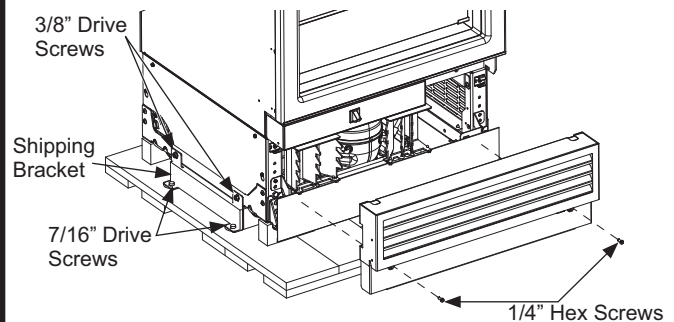
**⚠ ADVERTENCIA**  **Riesgo de Caída.** Este electrodoméstico es inestable. Tenga extremo cuidado al moverlo, a fin de evitar caídas hacia adelante que podrían resultar en la muerte o lesiones graves.

- Remove outer carton and external packing from units.
- There is a box of parts taped to the outside of the refrigerator. This box includes a toe kick for single integrated installations and door parts that will be installed after the door panel adjustments are complete. Save these parts.
- Inspect for damage.
- Ensure the flooring that the units are set is clean/free of debris that could be collected on to, or pinched in front of the wheels and damaging the floor. Additionally, it is recommended that the floor be protected with a plastic covering through out the installation process.

## STEP 1 REMOVE PACKAGING

(Cont.)

- Remove handles from inside the refrigerator compartment.
- Remove hardware kits that are located inside the unit.
- Remove front access cover from unit by removing two 1/4" Hex Screws. Place the cover and screws to the side for future installation.
- Remove two 3/8" drive screws and two 7/16" drive screws from each side of the unit to release it from the shipping skid. Tip the unit from the side enough to remove the shipping material from under the unit, but above the shipping skid (both sides)
- CAREFULLY roll the unit off the back side of the shipping skid.
- Handle from side only with a hand truck.




# Installation Instructions - Dual Standard Installation

## STEP 2 INSTALL WATER LINE

**▲ WARNING** Connect to potable water supply only. A cold water supply is required for automatic icemaker operation. The water pressure must be between 40 and 120 psi (275-827 kilopascals).

**▲ AVERTISSEMENT** Raccordez l'appareil à une alimentation d'eau potable seulement. Une alimentation d'eau froide est requise pour faire fonctionner la machine à glaçons et le pichet à remplissage automatique. La pression d'eau doit se situer entre 40 et 120 psi. (275 à 827 kPa).

**▲ ADVERTENCIA** Realice la conexión a un suministro de agua potable únicamente. Se requiere un suministro de agua fría para el funcionamiento de la jarra automática. La presión del agua deberá estar entre 40 y 120 p.s.i. (275 – 827 kPa).

**▲ WARNING**  **ELECTRIC SHOCK HAZARD**  
Attach tubing clamp using existing hole only. DO NOT drill into the refrigerator.

**▲ AVERTISSEMENT**  **RISQUE DE DÉCHARGE ÉLECTRIQUE**  
Fixez le collier de serrage dans le trou présent seulement. NE PERCEZ PAS dans le réfrigérateur.

**▲ ADVERTENCIA**  **PELIGRO DE DESCARGA ELÉCTRICA**  
Adhiera la abrazadera de la tubería usando el agujero existente únicamente. NO perforo el refrigerador.

### Shut off the main water supply.

Turn on the nearest faucet long enough to clear the line of water.

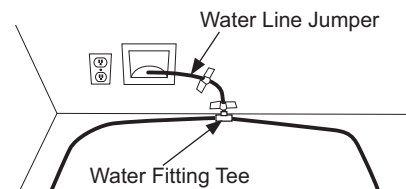
- It is recommended that you install a shut-off valve between the water valve and cold water pipe in a basement or adjacent cabinet. **The shut-off valve should be located where it will be easily accessible.**
- Turn on the main water supply and flush debris. Run about a quart of water through the tubing into a bucket. Shut off water supply at the shut-off valve.

## STEP 2 INSTALL WATER LINE (Cont.)

**NOTE:** Saddle type shut-off valves are not recommended but are included in many water supply kits. Before purchasing, make sure a saddle type valve complies with your local plumbing codes.

**NOTE:** Commonwealth of Massachusetts Plumbing Codes 248CMR shall be adhered to. Saddle valves are illegal and use is not permitted in Massachusetts. Consult with your licensed plumber.

- Connect the jumper water line from the ZKW72V Standard Install Kit to the house cold water line. Tighten the compression nut hand tight, then tighten one additional turn with a wrench. Overtightening can cause leaks!
- Connect the other end of the jumper water line to the water fitting tee supplied in the ZKW72V Standard Install Kit. Tighten the compression nut hand tight, then tighten one additional turn with a wrench. Overtightening can cause leaks!



- Route 1/4" OD copper or SmartConnect™ (WX08X10006) plastic tubing between water fitting tee and the water connection location at the front of each unit.
- Tubing should be long enough to extend to the front of the unit. Allow enough tubing to accommodate bend leading into the water line connection.

**NOTE:** The only Café approved plastic tubing is supplied in the SmartConnect™ Refrigerator Tubing kits. Do not use any other plastic water supply line because the line is under pressure at all times. Other types of plastic may crack or rupture with age and cause water damage to your home.

- Tape the jumper waterline and water fitting tee to the back wall. The waterlines will be taped to the floor using masking tape after anti-tip bracket installation.

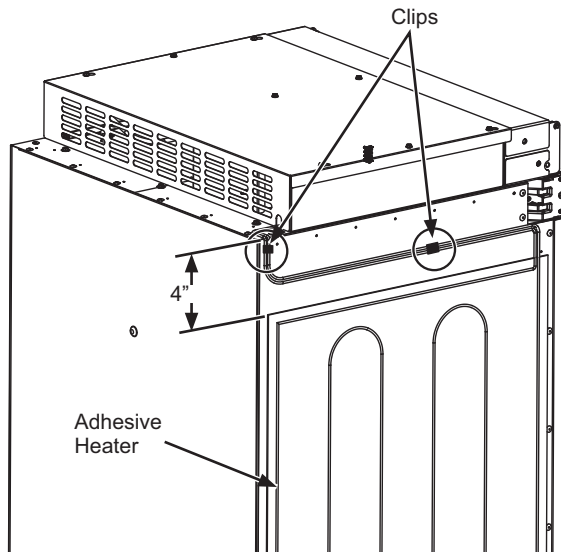
# Installation Instructions - Dual Standard Installation

## STEP 3 PREPARING UNIT FOR INSTALLATION - DUAL INSTALL

- Unpack the heater Unification Kit (ZKMV) and make sure all of the components on the list are included.

**NOTE:** Ensure the heater connector cord is toward the top of the unit when installed.

- Place the right hand unit in front of the installation opening in a way that the unit is in front of the intended installed location.
- Install adhesive heater on the outside of the unit to the left side of the case. Install heater 4" below the case top. Heater should be centered front to back on the metal case.
- Use clips to adhere loose wire tightly to side of case as shown. Clean the side using rubbing alcohol to ensure proper clip adhesion.



**NOTE:** The heater installation is available only on the left side of compatible models.

### ⚠ WARNING Electrical Shock

**Hazard.** To avoid the risk of electric shock, make sure the power cord is not plugged into the wall outlet.

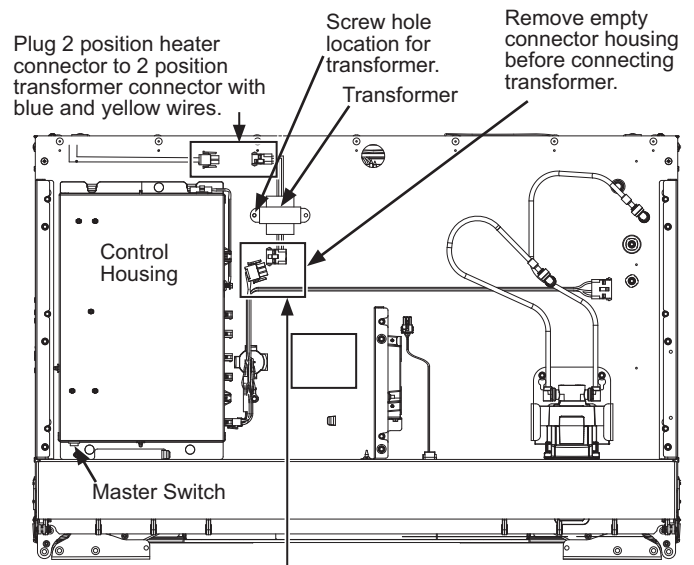
### ⚠ AVERTISSEMENT Risque

**d'électrocution.** Pour prévenir le risque d'électrocution, assurez-vous que le cordon électrique n'est pas branché dans la prise murale.

### ⚠ ADVERTENCIA Riesgo de Descarga

Si no se siguen estas instrucciones, se podrá producir la muerte, incendios o descargas eléctricas.

- Install the transformer into the case top assembly:
  1. Remove cover top by removing eight #8 hex screws and keep aside for assembling back the cover top.
  2. Place the transformer provided in ZKMV kit onto the case top. Secure transformer with (1/4") hex screw to case top in existing hole at the rear right side of the top control housing.
  3. Connect the 2 pin transformer connector to the heater connector and 3 pin connector to panel control, make sure locking tabs are engaged.
  4. **NOTE:** Verify the master switch is on.
  5. Assemble the cover top with screws save from previous step.



Plug 3 position transformer connector with black and white wires to 3 position harness connector with brown and orange wires.

Enclosure assembly above is shown with cover removed.



# Installation Instructions - Dual Standard Installation

## STEP 4 INSTALL ANTI-TIP BRACKETS

### ⚠ WARNING



### Tip Over Hazard.

These appliances are top heavy, especially with any doors open, and must be secured to prevent tipping forward which could result in death or serious injury. Read and follow the entire installation instructions for securing the appliance with the anti-tip system.

### ⚠ AVERTISSEMENT



### Risque de

**basculement.** Ces électroménagers sont lourds du haut, notamment lorsqu'une porte est ouverte, de sorte qu'ils doivent être fixés pour prévenir un basculement vers l'avant susceptible d'occasionner des blessures graves ou la mort. Lisez et observez la totalité des instructions d'installation pour connaître la façon de fixer l'électroménager sur le dispositif antibasculement.

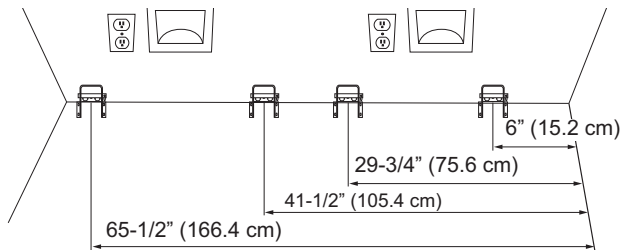
### ⚠ ADVERTENCIA



### Riesgo de

**Caídas** Estos electrodomésticos son inestables, especialmente cuando una puerta se encuentre abierta, y deben estar asegurados a fin de evitar caídas hacia adelante que podrían resultar en la muerte o en lesiones graves. Lea y siga las instrucciones de instalación en su totalidad para asegurar el electrodoméstico con el sistema anti volcaduras.

- Remove the anti-tip bracket(s) from the hardware kit.
- Secure anti-tip brackets to the floor so that the back side of the anti-tip bracket is 22 5/8" (57.5 cm) from the front of the enclosure (bracket hardware is provided for mounting into wood and concrete).
- Measure and mark from the right side of the opening per the dimensions shown.



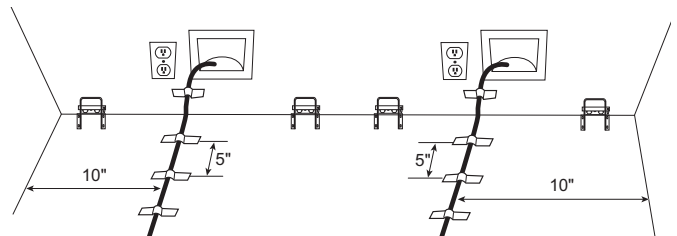
- Mount the anti-tip bracket centered about the marks and flush to the floor as shown. Mark 3 holes for wall mounting or 4 holes for floor mounting.

**WOOD MOUNTING:** Pre-drill with 3/16" drill bit, 2" deep, then install provided lag bolts with a 3/8" driver.

**CONCRETE MOUNTING:** Pre-drill with a 5/32" concrete bit, 2" deep, then install provided tapcon screws with a 5/16" driver.

**NOTE:** For substrates not listed above, contact a licensed contractor to determine the appropriate hardware.

- The bracket must be screwed to either the FLOOR or REAR WALL.
- Tape the waterline to the wall and floor as shown below. Waterline should be 10" (25.4 cm) away from adjacent wall. Apply tape about every 5" (12.7 cm) toward front of unit. This will keep the waterline away from the anti-tip bracket(s) and prevent the unit from rolling over the waterline during installation. Do not tape near the cabinet front in order to keep tape hidden under the unit.

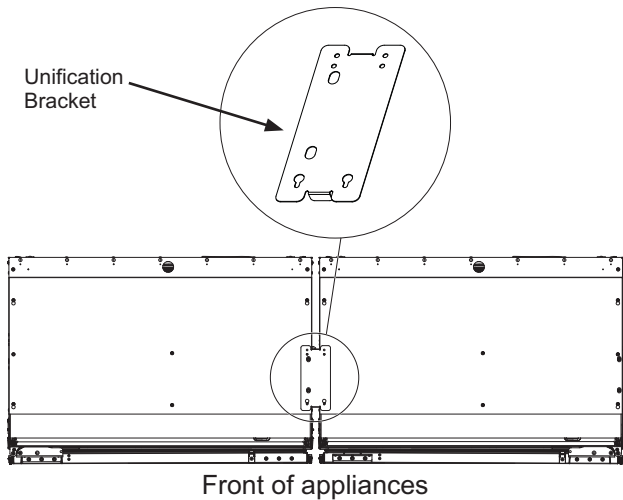


# Installation Instructions - Dual Standard Installation

## STEP 5 JOINING DUAL INSTALLED UNITS

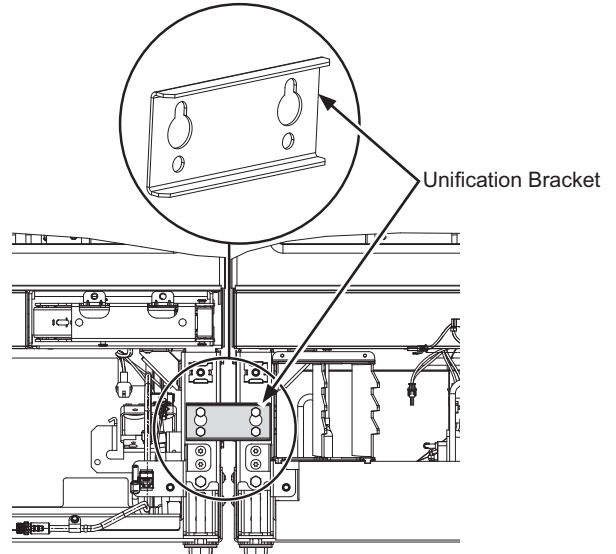
### TOP UNIFICATION

- Loosen the middle two screws, remove the two rear screws.
- Assemble the bracket to the middle screws and reassemble the rear screws.
- Tighten screws to tie units together.



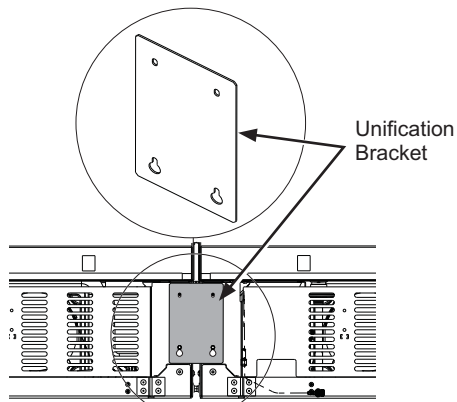
### BOTTOM FRONT UNIFICATION

- Install the bottom front unification bracket using a 3/8" driver (4 screws).



### BOTTOM BACK UNIFICATION

- Loosen the two bottom screws of rear access covers of both units and remove the top screws.
- Hang the unification bracket to the bottom screws and reassemble the screws at the top
- Tighten screws to tie units together.



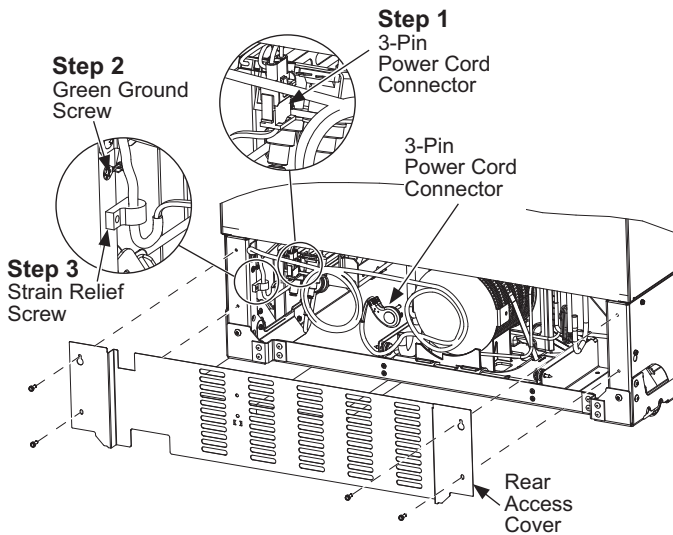
# Installation Instructions - Dual Standard Installation

## STEP 6 CHANGE POWER CORD

If your electrical outlet location requires a longer power cord, follow the instructions below to change to the longer power cord provided with the standard install kit.

### Remove existing short power cord with string assembly:

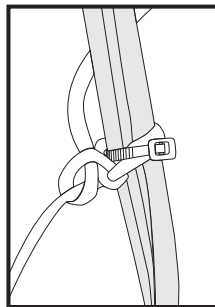
- Remove 1/4" hex screws attaching rear access cover.
  1. Unplug 3-pin power cord connector inside the machine compartment (press on sides to release locking tabs).
  2. Remove power cord green ground 1/4" hex screw.
  3. Remove strain relief 1/4" hex screw.
  4. Remove string from short power cord by cutting the string near the wire tie.



### Install new longer power cord:

1. Tie string around longer power cord 18 inches from strain relief and put wire tie on as shown.
2. Plug in the 3-pin connector (make sure locking tabs are engaged).
3. Install the power cord green ground screw.
4. Install the power cord strain relief.

**Note:** Do not over tighten wire tie. Over tightening could cause damage to power cord.



## STEP 6 CHANGE POWER CORD (Cont.)

### ⚠ WARNING ⚡ Electrical Shock Hazard.

Death or serious injury can result from failure to follow these instructions.

- Service by a qualified service technician only.
- Disconnect power before servicing this product.
- Reconnect all grounding devices after service.
- Replace all parts and panels before operating.

### ⚠ AVERTISSEMENT ⚡ Risque

**d'électrocution.** L'omission d'observer ces instructions peut occasionner des blessures graves ou mortelles.

- L'entretien et la réparation du produit doivent être effectués par un technicien qualifié seulement.
- Débranchez l'alimentation électrique avant d'entretenir ou de réparer ce produit.
- Rebranchez tous les dispositifs de mise à la terre après l'entretien ou la réparation.
- Remettez en place toutes les pièces et tous les panneaux avant l'utilisation

### ⚠ ADVERTENCIA ⚡ Riesgo de Descarga

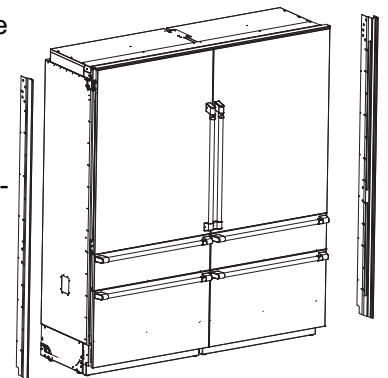
**Eléctrica** Se podrá producir la muerte o daños graves como resultado de no seguir estas instrucciones.

- El servicio técnico deberá ser realizado por un técnico calificado del servicio únicamente.
- Desconecte el cable de corriente antes de realizar el servicio técnico de este producto.
- Vuelva a conectar todos los dispositivos de conexión a tierra luego de realizar el servicio técnico.
- Vuelva a colocar todas las piezas y paneles antes del uso.

- Replace rear access cover. Make sure the power cord is properly routed through the access cover cut-out.

## STEP 7 CASE TRIM INSTALLATION

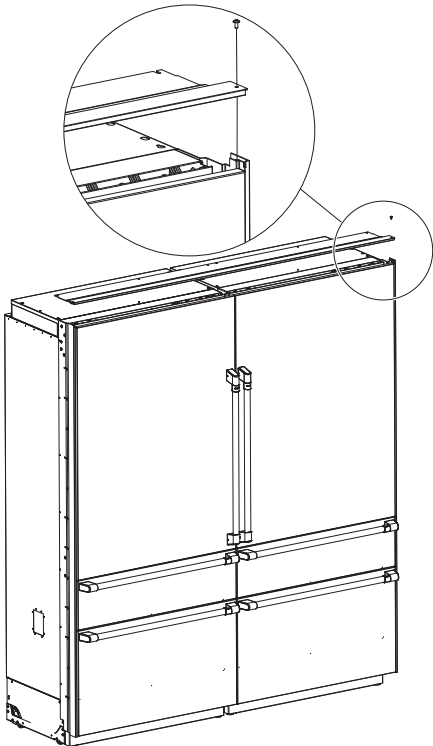
- Install the trim kit side rails to the exposed right and left case walls using the provided #8 Phillips head screws - 8 screws per side.



# Installation Instructions - Dual Standard Installation

## STEP 7 CASE TRIM INSTALLATION (Cont.)

- Loosen the top cover hex head screws so that the slots in the top trim can slide between the hex head screws and the top cover.
- Fit the top trim and side trim rails together by sliding the exposed edges of the corner trim into the right and left trim kit side rails. Align and drive the two number 8-32 Phillips head screws into the screw holes in the side rails to ensure the top trim is snugly fit to the side rails.



- Tighten the top cover hex head screws so that the top trim is secured to the cabinet.

## STEP 8 CONNECTING WATER SUPPLY

**⚠ WARNING** Connect to potable water supply only. A cold water supply is required for automatic icemaker operation. The water pressure must be between 40 and 120 psi (275-827 kilopascals).

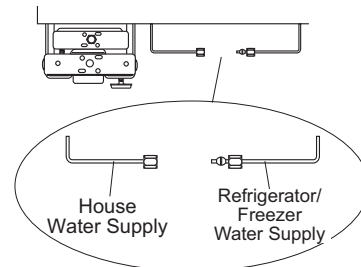
**⚠ AVERTISSEMENT** Raccordez l'appareil à une alimentation d'eau potable seulement. Une alimentation d'eau froide est requise pour faire fonctionner la machine à glaçons et le pichet à remplissage automatique. La pression d'eau doit se situer entre 40 et 120 psi. (275 à 827 kPa).

**⚠ ADVERTENCIA** Realice la conexión a un suministro de agua potable únicamente. Se requiere un suministro de agua fría para el funcionamiento de la máquina de helos automática y de la jarra de llenado automático. La presión del agua deberá estar entre 40 y 120 p.s.i. (275 – 827 kPa).

**⚠ WARNING**  **ELECTRIC SHOCK HAZARD**  
Attach tubing clamp using existing hole only. DO NOT drill into the refrigerator.

**⚠ AVERTISSEMENT**  **RISQUE DE DÉCHARGE ÉLECTRIQUE**  
Fixez le collier de serrage dans le trou présent seulement. NE PERCEZ PAS dans le réfrigérateur.

**⚠ ADVERTENCIA**  **PELIGRO DE DESCARGA ELÉCTRICA**  
Adhiera la abrazadera de la tubería usando el agujero existente únicamente. NO perforo el refrigerador.

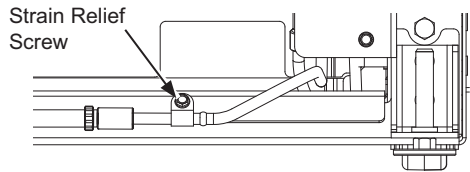


- Locate and bring the tubing to the front of the cabinet.
- Turn the water on to flush debris from the line. Run about a quart of water through the tubing into a bucket, then shut off the water.

# Installation Instructions - Dual Standard Installation

## STEP 8 CONNECTING WATER SUPPLY (Cont.)

- Remove strain relief screw to allow for enough slack to make a proper water connection. (Screw must be replaced in the next step.)



### Copper Tubing:

- Slip a 1/4" nut and ferrule over both ends of the copper tubing. Insert the tube into the union fitting on the unit and tighten the nut to the union.
- Turn on the water to check for leaks.

### SmartConnect™ Tubing:

**NOTE:** The only Café-approved plastic tubing is supplied in the SmartConnect™ Refrigerator Tubing kits. Do not use any other plastic water supply line because the line is under pressure at all times. Other types of plastic may crack or rupture with age and cause water damage to your home.

- Insert the molded end of the tubing into the refrigerator or freezer connection. Tighten the compression nut until it is just hand-tight.
- Follow the instructions provided with the tubing. Overtightening can cause leaks!
- Turn on the water to check for leaks.

## STEP 9 INSERTING/SECURING INTO CABINET SURROUND

- Plug both units to the outlet in the wall.

### ⚠ WARNING ⚡ Electrical Shock Hazard.

To reduce the risk of electrical shock, be careful during the remaining installation steps not to touch wiring or electrical components inside the compressor compartment while the appliance is plugged in and the front access cover is not in place.

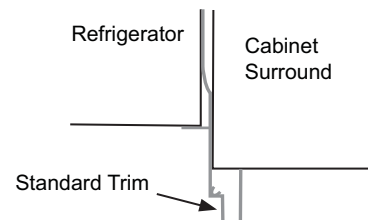
### ⚠ AVERTISSEMENT ⚡ Risque

**d'électrocution.** Afin de réduire le risque d'électrocution, utilisez de prudence lors des étapes d'installation suivantes afin de ne pas toucher au câblage ou composants électriques à l'intérieur du compartiment du compresseur une fois que l'électroménager est branché sans le couvercle d'accès refermé.

### ⚠ ADVERTENCIA ⚡ Riesgo de Descarga

**Eléctrica.** A fin de reducir el riesgo de descarga eléctrica, tenga cuidado en los pasos restantes de la instalación de no tocar el cableado ni los componentes eléctricos dentro del compartimiento del compresor mientras el electrodoméstico está enchufado y la tapa de acceso frontal no está en su lugar.

- Find the installation string that is attached to the front of the unit; this is to be used as you are pushing the unit back into the opening. The string is attached to the power cord; as you walk the unit back into the opening you should pull the string tight to make sure the power cord is routed underneath the unit.
- Slowly walk both units into opening making sure not to touch the cabinetry on the sides and top to prevent damage. The back side of the top and side standard trims should be touching the cabinet surround when the units are pushed back.



# Installation Instructions - Dual Standard Installation

## STEP 9 INSERTING/SECURING INTO CABINET SURROUND (Cont.)

### ⚠ WARNING



#### Tip Over Hazard.

These appliances are top heavy, especially with any doors open, and must be secured to prevent tipping forward which could result in death or serious injury.

### ⚠ AVERTISSEMENT



#### Trisque de

**basculement.** Ces électroménagers sont lourds du haut, notamment lorsqu'une porte est ouverte, de sorte qu'ils doivent être fixés pour prévenir un basculement vers l'avant susceptible d'occasionner des blessures graves ou la mort.

### ⚠ ADVERTENCIA



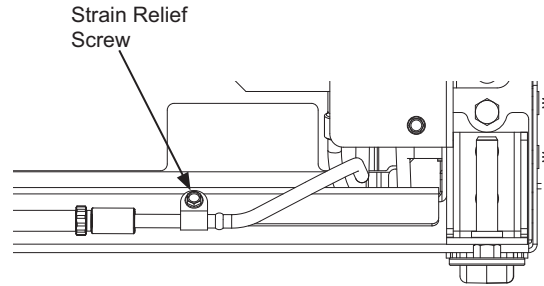
#### Riesgo de Caída

Estos electrodomésticos son inestables, especialmente cuando una puerta se encuentre abierta, y deben estar asegurados a fin de evitar caídas hacia adelante que podrían resultar en la muerte o en lesiones graves.

- Place power cord on its edge and pull under product between rollers and away from the anti-tip bracket to ensure cord is not damaged during installation.
- As you walk the unit back into the opening, you should pull the string tight to make sure the power cord is routed underneath the unit.



- Replace the waterline strain relief screw.



- Store the excess strapping, string, and water tubing under the unit.

### ⚠ WARNING



#### Electrical Shock Hazard.

Replace waterline strain relief in front rail location as shown.

### ⚠ AVERTISSEMENT



#### Risque d'électrocution.

Reposez la vis de décharge de tension dans le profilé avant comme illustré.

### ⚠ ADVERTENCIA



#### Riesgo de Descarga

**Eléctrica** Reemplace el amortiguador de refuerzo de la tubería de agua frente a la ubicación del riel, como se muestra.

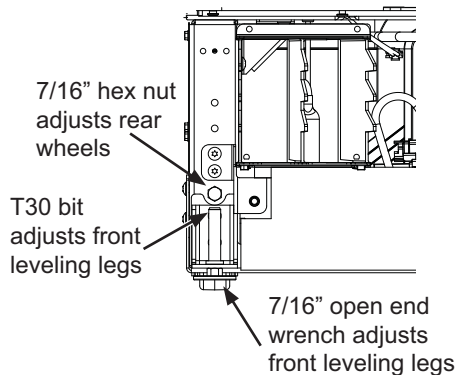


# Installation Instructions - Dual Standard Installation

## STEP 10 LEVEL UNIT

All models have 4-point leveling. The front is supported by leveling legs; the rear is supported by adjustable wheels. Both are accessible from the front of the unit.

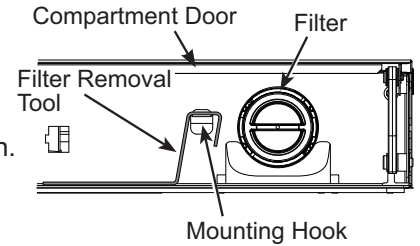
- To level the back of the unit, turn the 7/16" hex nut located above the front leveling legs. Turn clockwise to raise or counterclockwise to lower the unit.
- For front leveling, use a T-30 bit at the top of the leveling leg or a 7/16" open-end wrench at the bottom of the leveling leg.
- Adjust height of unit to match installation cutout opening 84". The unit should be level and plumb with cabinetry. The front wheels must be a minimum of 1/8" (0.3 cm) off the floor.



**NOTICE:** The rear leveling wheels and front leveling legs are limited to a maximum height adjustment of 1". If the installation requires more than 84" height, the installer should elevate the unit on a sheet of plywood or runners. Cabinetry trim could also be added across the top of the opening to shorten the opening. If you attempt to raise the unit more than 1", you will damage the front leveling legs and the rear leveling wheels.

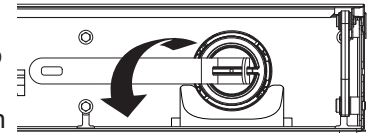
## STEP 11 FINAL EXTERNAL UNIT PREPARATION

- Open the doors to the units. Locate filter and filter removal tool. Filter should be as shown.



- Rotate filter 1/4 turn counterclockwise (use filter removal tool if needed).

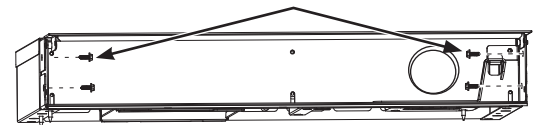
- Pull filter toward you to remove. **NOTE:** Water system will not function without filter in place.



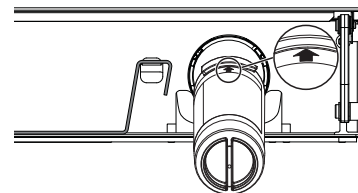
- Pre-drill 1/16" holes in both the sides of the surround 1/2" deep through holes in the enclosure.

- Secure unit by driving four 1/4" hex screws to both sides to surrounding cabinetry. Use 90 degree tool or alternate extension. **NOTE:** This step does NOT replace the anti-tip safety hardware. Refer to Step 4 Installing Anti-Tip Bracket and Step 7 Inserting/Securing into Cabinet Surround for details on installing the anti-tip hardware. For dual installations, repeat for the second unit.

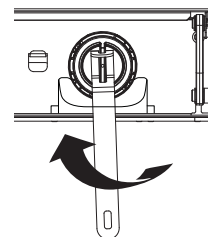
1/4" Hex Screws



- Locate blue arrow on filter. Rotate filter to align arrow as shown.



- Insert filter into position and rotate 1/4 turn clockwise (use filter removal tool if needed).

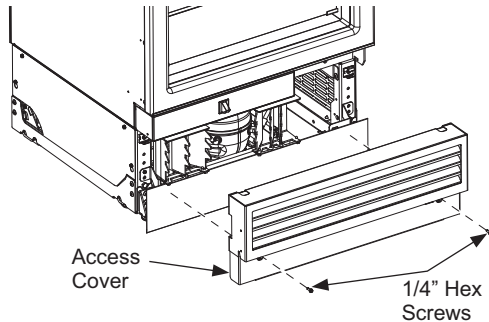


- Return filter removal tool to mounting hook.
- Close the compartment door.

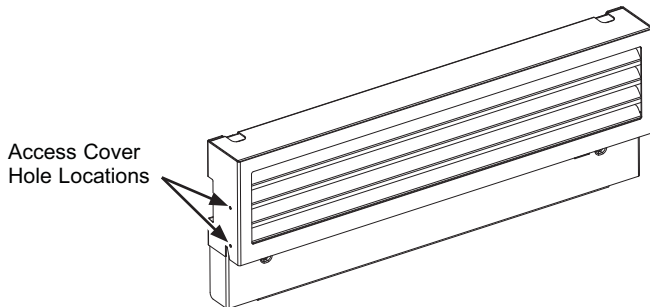
# Installation Instructions - Dual Standard Installation

## STEP 11 FINAL EXTERNAL UNIT PREPARATION (Cont.)

- Put the access cover back onto the unit and secure with two 1/4" hex head screws.

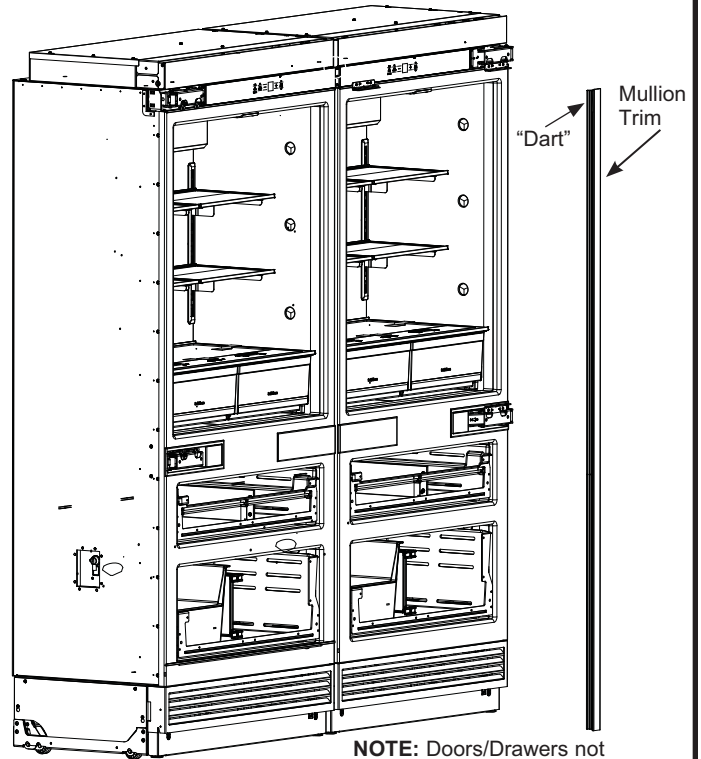


- On the side of the access cover that will face the middle of the installation, drive two 1/4" hex head screws. These screws will enhance attachment of mullion trim. Repeat on the second access cover.



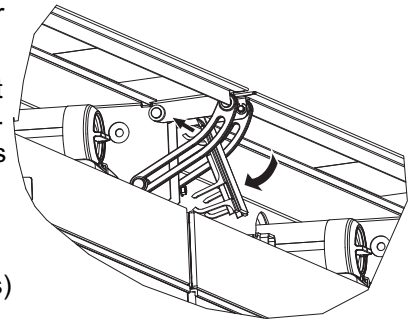
### Mullion Trim Installation

- Open all doors and drawers.
- Align top of Mullion Trim with top of control panels.
- Install mullion trim between the two units by pushing the dart in the area between the units.
- Ensure trim is fully seated against case. Adjust if necessary.

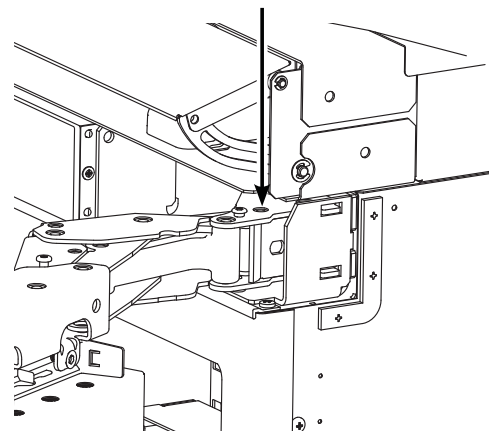


NOTE: Doors/Drawers not shown for clarity.

- Open both water filter access doors to 90°.
- Snap the trim bracket between the water filter access enclosures above displays.



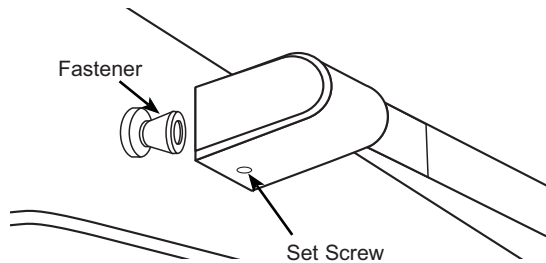
- If installation requires a 90° door opening, the hinge limiter pin(s) must be installed in the top hinge(s).
  - Open the door to expose the hole in the back hinge bracket and install the limiting pin. Pin must be fully seated in the hinge or the door will not close properly.



# Installation Instructions - Dual Standard Installation

## STEP 12 HANDLE INSTALLATION

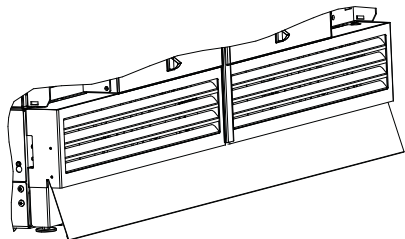
- Make sure the set screws in the handle caps are loosened. Place the handle over the fasteners on the door (we recommend putting the screw side of the handle toward the less visible side). Take care to support the handle so it doesn't fall and scratch the appliance finish. Make sure both of the handle caps are resting on the face of the door.



- Lock one end of the handle into position by tightening the set screw in the handle cap with the 1/8" Allen wrench. Be sure not to over tighten.
- Keep supporting the handle as you lock the other end of the handle into position by tightening the set screw in the handle cap with the 1/8" Allen wrench. Be sure not to over tighten.
- Repeat these instructions on all other handles.

## STEP 13 TOE KICK INSTALLATION

- A stainless steel toe kick and a magnet are included in the box of parts that was taped to the side of each refrigerator. A full width toe kick (ZKK72R) for dual standard installations can be purchased separately.
- For individual toe kicks, adhere magnets to the back side of the toe kicks. The surface of the toe kick where the magnet is to be placed must be clean and free of foreign material. Center magnets vertically and horizontally.
- Position toe kick(s) on bottom portion of front access covers.



## STEP 14 INTERNAL UNIT PREPARATION

- Remove all tape, cardboard, and foam from each unit.
- Remove boxed door bins from shelves.
- Unbox and install door bins.

## STEP 15 START ICEMAKER

### ⚠ CAUTION

To minimize the risk of personal injury, avoid contact with the moving parts of the ejector mechanism, or with the heating element that releases the cubes. Do not place fingers or hands on the automatic ice making mechanism while the appliance is plugged in.

### ⚠ ATTENTION

Afin de réduire le risque de blessure, évitez tout contact avec les pièces mobiles du mécanisme d'éjection ou l'élément chauffant qui libère les cubes. Ne placez pas les doigts ou les mains sur le mécanisme de production de glace automatique lorsque l'électroménager est branché dans la prise électrique.

### ⚠ PRECAUCIÓN

Para minimizar el riesgo de lesiones personales, evite el contacto con las partes móviles del mecanismo eyector o con el elemento de calefacción que libera los cubos. No coloque los dedos ni las manos en el mecanismo de la máquina de hielo automática mientras el electrodoméstico se encuentre enchufado.

**A newly-installed freezer may take 12–24 hours to begin making ice.**

The icemaker will produce seven cubes per cycle—approximately 15 cycles in a 24-hour period, depending on freezer compartment temperature, room temperature, number of door openings and other use conditions.

If the freezer is operated before the water connection is made to the icemaker, turn the ice maker off by pressing and holding the **Zone Select** pad until **Ice Off** appears.

When water has been connected to the water supply, turn the ice maker on by pressing and holding the **Zone Select** pad until **Ice On** appears.

Throw away the first full bucket of ice to allow the water line to clear.

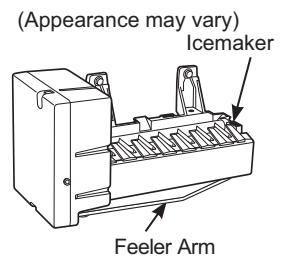
Be sure nothing interferes with the sweep of the feeler arm.

When the bin fills to the level of the feeler arm, the icemaker will stop producing ice.

It is normal for several cubes to be joined together.

If ice is not used frequently, old ice cubes will become cloudy, taste stale and shrink.

**NOTE:** Icemaker works best between 40 and 120 PSI (275-827 kPa) home water pressure.

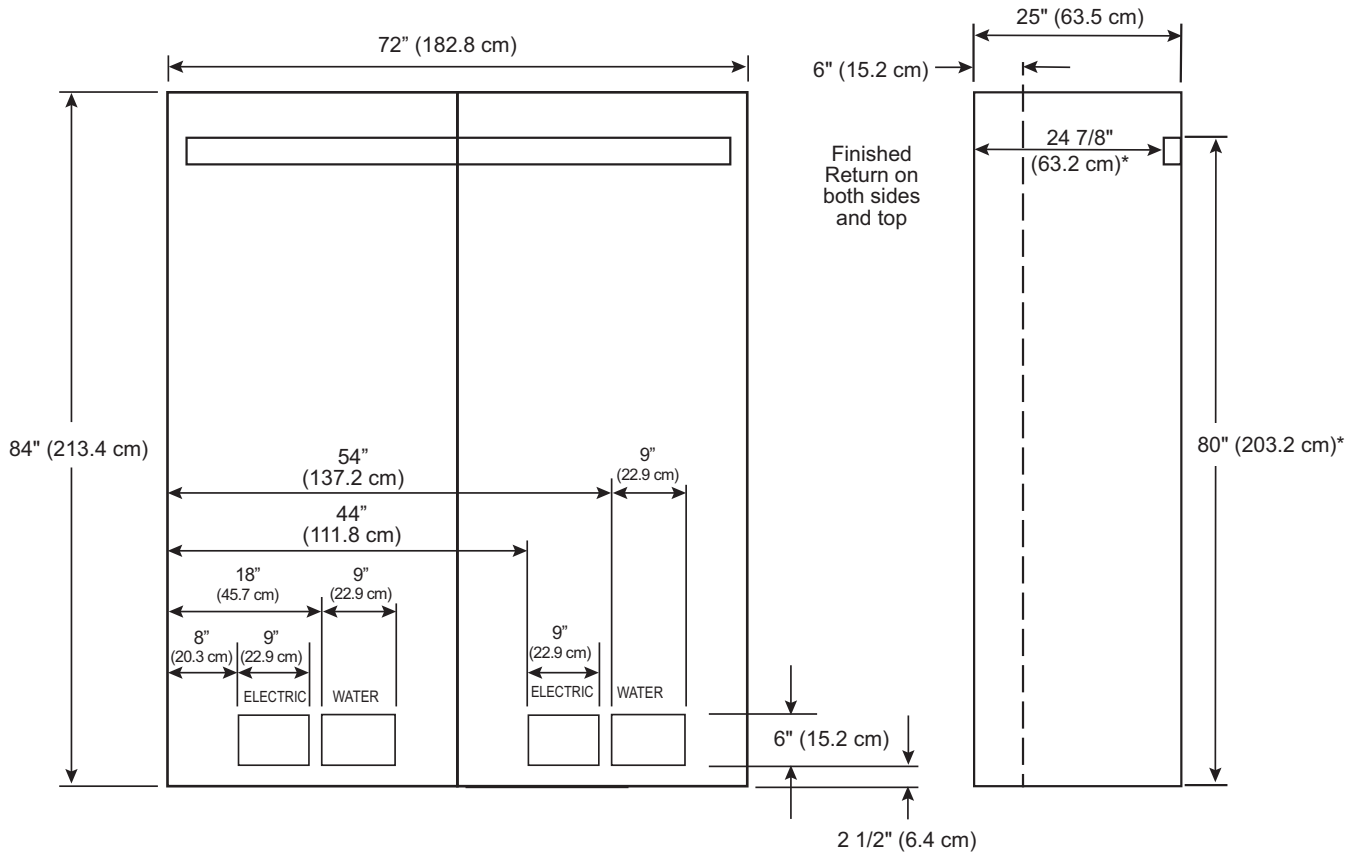


**Instructions for Dual Integrated Installation  
(Single Door models only)  
New construction installation with 25" deep openings**

# Design Guide - Dual Integrated Installation

## DUAL INTEGRATED INSTALLATION SPACE (Single Door models only)

Dimensions in parentheses are in centimeters.



\* For installation spaces deeper than 25", it is recommended to install a spacer block per the dimensions shown.

# Design Guide - Dual Integrated Installation

## DUAL INTEGRATED INSTALLATION SPACE

### Water And Electrical Locations

Electrical and water supply must be located as shown.

### The Cutout Depth Must Be 25"

Cutout is based on installation of 2 Single Door products with a left-and-right hand door swing.

Heater Unification Kit ZKMV required.

### Product Clearances

These units are equipped with a 2-position door stop. The factory set 115° door swing can be adjusted to 90° if clearance to adjacent cabinets or walls is restricted.

Refer to Dim A on page 5 for clearances needed for door swing.

### Additional Specifications

- A separate 115 volt 60Hz., 15 or 20 amp power supply is recommended for each product. An individual properly grounded branch circuit or circuit breaker is recommended. Install a properly grounded 3-prong electrical receptacle recessed into the back wall. Electrical must be located on rear wall as shown.
- Water line must be located on the back wall as shown. The water line should be 1/4" O.D. copper tubing or QuickConnect kit™ (WX08X10006) between the cold water line and water connection location, long enough to extend to the front of the unit (8' [2.4m]). Installation of an easily accessible shut-off valve in the water line is required.
- **A minimum of 6" finished return matching cabinet exterior is recommended on interior on all sides and top at front of opening.**
- **Installations with 6" (15.2 cm) or less between units require Heater Unification Kit.**

## REFRIGERATOR/FREEZER LOCATION

- Do not install the refrigerator/freezer where the temperature will go below 55°F (13°C). It will not run often enough to maintain proper temperatures.
- Do not install the refrigerator/freezer where temperatures will go above 100°F (37°C). It will not perform properly.
- Do not install the refrigerator/freezer in a location exposed to water (rain, etc.) or direct sunlight.
- Install it on a floor strong enough to support it fully loaded.

## HARDWARE SUPPLIED (per unit)

- 2 Anti-Tip brackets
- Lag screws
- Tapcon screws
- 1/4" hex screws
- 2 Hinge limiter pins
- Door Hardware Kit
- Toe kick magnet

## TOOLS AND MATERIALS REQUIRED

- Metal shears (recommended)
- #1, #2 Phillips screwdriver
- Flathead screwdriver
- Putty knife (recommended)
- Measuring tape
- Drill and 1/16", 5/64", 3/16", 1/2" bits
- 5/32" concrete bit (if installing anti-tip into concrete)
- 1/4", 3/8", 7/16" driver/socket
- 7/16" open wrench
- T10, T20, T30 driver/bit
- 1/8", 1/4" hex driver (allen wrench)
- Level
- Water shut-off valves (optional but recommended)
- 8' waterline (one per unit requiring water hookup)
- Masking tape
- Rubbing alcohol
- 10" Adjustable wrench
- Center punch
- Heater Unification Kit (ZKMV)
- Handle Kits (if applicable)
- Small Ratchet 1/4" or 3/8"
- 90° Right Angle Driver or a minimum 8" long, 1/4" diameter bit extender



# Installation Instructions - Dual Integrated Installation

## KIT ZKMV PARTS SUPPLIED:

Adhesive Heater  
Transformer  
Front Mullion  
Trim Bracket  
Top Unification Bracket  
Bottom Front Unification Bracket  
Bottom Back Unification Bracket  
3 1/4" Hex Head 8-18 5/8" Long Screws  
5 1/4" Hex Head 8-32 5/8" Long Screws  
5 3/8" Hex Head 1/4-20 1/2" Long Screws  
4 wire clips

## GROUNDING THE UNIT

### **WARNING Electrical Shock**

**Hazard.** Failure to follow these instructions can result in death, fire, or electrical shock.

### **AVERTISSEMENT Risque d'électrocution**

Le non-respect de ces instructions peut occasionner un décès, un incendie ou un choc électrique

### **ADVERTENCIA Riesgo de Descarga**

**Si no se siguen estas instrucciones, se podrá producir la muerte, incendios o descargas eléctricas.**

The power cord of this appliance is equipped with a 3-prong (grounding) plug which mates with a standard 3-prong (grounding) wall receptacle to minimize the possibility of electric shock hazard from this appliance.

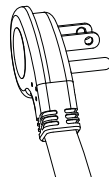
Have the wall outlet and circuit checked by a qualified electrician to make sure the outlet is properly grounded.

Where a standard 2-prong wall outlet is encountered, it is your personal responsibility and obligation to have it replaced with a properly grounded 3-prong wall outlet.

DO NOT, UNDER ANY CIRCUMSTANCES, CUT OR REMOVE THE THIRD (GROUND) PRONG FROM THE POWER CORD.

DO NOT USE AN ADAPTER PLUG TO CONNECT THE REFRIGERATOR TO A 2-PRONG OUTLET.

DO NOT USE AN EXTENSION CORD WITH THIS APPLIANCE.



## FLOORING

For proper installation, this product must be placed on a level surface of hard material that is at the same height as the rest of the flooring. This surface should be strong enough to support a fully loaded refrigerator or freezer, or approximately 1,200 lbs. per unit.

**NOTE:** Protect the finish of the flooring.

**NOTE:** Not recommended for installation on carpeted flooring.

## STEP 1 REMOVE PACKAGING

### **WARNING**



**Tip Over Hazard.** This appliance is top heavy. Use extreme caution with moving to prevent tipping over which could result in death or serious injury.

### **AVERTISSEMENT**



**Risque de basculement.** Cet électroménager est lourd du haut. Usez d'extrême prudence en le déplaçant afin de prévenir un basculement susceptible d'occasionner des blessures graves ou la mort.

### **ADVERTENCIA**



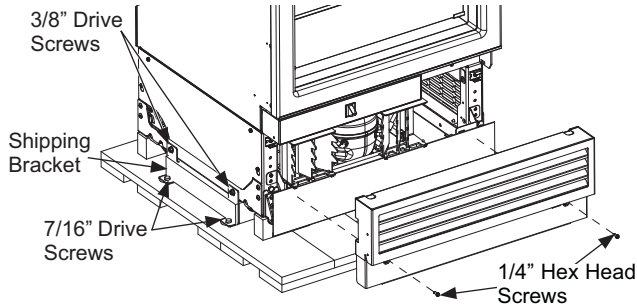
**Riesgo de Caída.** Este electrodoméstico es inestable. Tenga extremo cuidado al moverlo, a fin de evitar caídas hacia adelante que podrían resultar en la muerte o lesiones graves.

- Remove outer carton and external packing from units.
- There is a box of parts taped to the outside of the refrigerator. This box includes a toe kick for single integrated installations and door parts that will be installed after the door panel adjustments are complete. Save these parts.
- Inspect for damage.
- Ensure the flooring that the units are set is clean/free of debris that could be collected on to, or pinched in front of the wheels and damaging the floor. Additionally, it is recommended that the floor be protected with a plastic covering through out the installation process.
- Remove handles from inside the refrigerator compartment.
- Remove hardware kits that are located inside the unit.

# Installation Instructions - Dual Integrated Installation

## STEP 1 REMOVE PACKAGING (cont.)

- Remove front access cover from unit by removing two 1/4" hex head screws. Place the cover and screws to the side for future installation.



- Remove two 3/8" drive screws and two 7/16" drive screws from each side of the unit to release it from the shipping skid. Tip the unit from the side enough to remove the shipping material from under the unit, but above the shipping skid (both sides)
- CAREFULLY** roll the unit off the back side of the shipping skid.
- Handle from side only with a hand truck.

## STEP 2 INSTALL WATER LINE

**WARNING** Connect to potable water supply only. A cold water supply is required for automatic icemaker operation. The water pressure must be between 40 and 120 psi (275-827 kilopascals).

**AVERTISSEMENT** Raccordez l'appareil à une alimentation d'eau potable seulement. **Une alimentation d'eau froide est requise pour faire fonctionner la machine à glaçons et le pichet à remplissage automatique.** La pression d'eau doit se situer entre 40 et 120 psi. (275 à 827 kPa).

**ADVERTENCIA** Realice la conexión a un suministro de agua potable únicamente. Se requiere un suministro de agua fría para el funcionamiento de la máquina de helos automática. La presión del agua deberá estar entre 40 y 120 p.s.i. (275 – 827 kPa).

## STEP 2 INSTALL WATER LINE (cont.)

**WARNING** **ELECTRIC SHOCK HAZARD**  
Attach tubing clamp using existing hole only. DO NOT drill into the refrigerator.

**AVERTISSEMENT** **RISQUE DE DÉCHARGE ÉLECTRIQUE**  
Fixez le collier de serrage dans le trou présent seulement. NE PERCEZ PAS dans le réfrigérateur.

**ADVERTENCIA** **PELIGRO DE DESCARGA ELÉCTRICA**  
Adhiera la abrazadera de la tubería usando el agujero existente únicamente. NO perforo el refrigerador.

### Shut off the main water supply.

Turn on the nearest faucet long enough to clear the line of water.

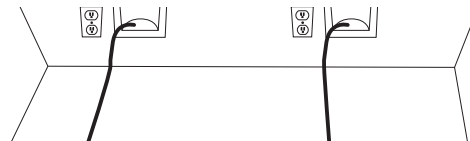
- It is recommended that you install a shut-off valve between the water valve and cold water pipe in a basement or adjacent cabinet. **The shut-off valve should be located where it will be easily accessible.**
- Turn on the main water supply and flush debris. Run about a quart of water through the tubing into a bucket. Shut off water supply at the shut-off valve.

**NOTE:** Saddle type shut-off valves are not recommended but are included in many water supply kits. Before purchasing, make sure a saddle type valve complies with your local plumbing codes.

**NOTE:** Commonwealth of Massachusetts Plumbing Codes 248CMR shall be adhered to. Saddle valves are illegal and use is not permitted in Massachusetts. Consult with your licensed plumber.

- Route 1/4" OD copper or SmartConnect™ (WX08X10006) plastic tubing between house cold water line and the water connection location at the front of each unit.

SmartConnect™ Refrigerator Tubing Kits are available. One 8' (2.4m) water line (WX08X10006) is needed for each unit. The waterline(s) will be taped to the floor using masking tape after anti-tip bracket installation.



- Tubing should be long enough to extend to the front of the unit. Allow enough tubing to accommodate bend leading into the water line connection.

**NOTE:** The only Café approved plastic tubing is supplied in the SmartConnect™ Refrigerator Tubing kits. Do not use any other plastic water supply line because the line is under pressure at all times. Other types of plastic may crack or rupture with age and cause water damage to your home.

# Installation Instructions - Dual Integrated Installation

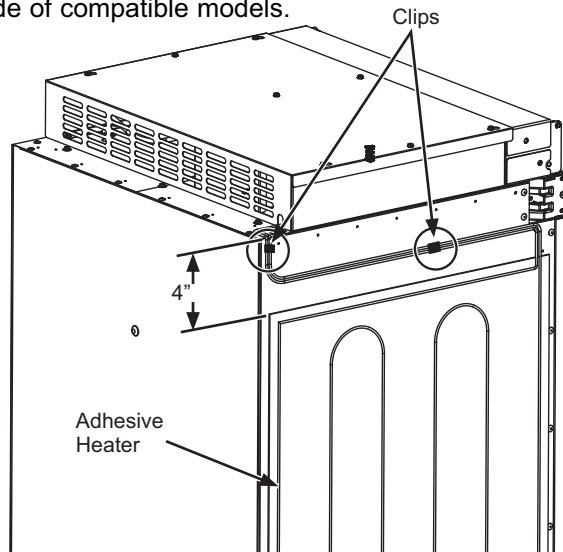
## STEP 3 PREPARING UNIT FOR INSTALLATION

- Unpack the heater Unification Kit (ZKMV) and make sure all of the components on the list are included.

**NOTE:** Ensure the heater connector cord is toward the top of the unit when installed.

- Place the right hand unit in front of the installation opening in a way that the unit is in front of the intended installed location. Make sure unit remains unplugged and off.
- Install adhesive heater on the outside of the right hand unit to the left side of the case. Install heater 4" below the case top. Heater should be centered front to back on the metal case.
- Use clips to adhere loose wire tightly to side of case as shown. Clean the side using rubbing alcohol to ensure proper clip adhesion.

**NOTE:** The heater installation is available only on the left side of compatible models.



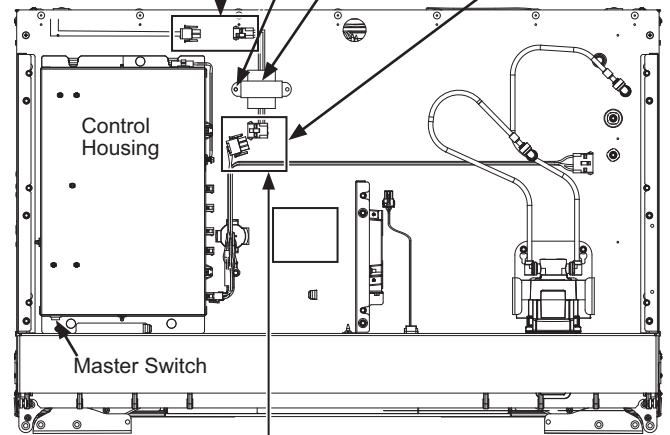
- Install the transformer into the case top assembly:
  1. Remove cover top by removing eight #8 hex screws and keep aside for assembling back the cover top.
  2. Place the transformer provided in ZKMV kit onto the case top. Secure transformer with (1/4") hex screw to case top in existing hole at the rear right side of the top control housing.
  3. Connect the 2 pin transformer connector to the heater connector and 3 pin connector to panel control, make sure locking tabs are engaged.
  4. **NOTE:** Verify the master switch is on.
  5. Assemble the cover top with screws save from previous step.

Plug 2 position heater connector to 2 position transformer connector with blue and yellow wires.

Screw hole location for transformer.

Transformer

Remove empty connector housing before connecting transformer.



Plug 3 position transformer connector with black and white wires to 3 position harness connector with brown and orange wires.

**Enclosure assembly above is shown with cover removed.**

### **⚠ WARNING** **Electrical Shock**

**Hazard.** To avoid the risk of electric shock, make sure the power cord is not plugged into the wall outlet.

### **⚠ AVERTISSEMENT** **Risque**

**d'électrocution.** Pour prévenir le risque d'électrocution, assurez-vous que le cordon électrique n'est pas branché dans la prise murale.

### **⚠ ADVERTENCIA** **Riesgo de Descarga**

**Si no se siguen estas instrucciones, se podrá producir la muerte, incendios o descargas eléctricas.**

# Installation Instructions - Dual Integrated Installation

## STEP 4 INSTALL ANTI-TIP BRACKETS

### ⚠ WARNING



#### Tip Over Hazard.

These appliances are top heavy, especially with any doors open, and must be secured to prevent tipping forward which could result in death or serious injury. Read and follow the entire installation instructions for securing the appliance with the anti-tip system.

### ⚠ AVERTISSEMENT



#### Risque de

**basculement.** Ces électroménagers sont lourds du haut, notamment lorsqu'une porte est ouverte, de sorte qu'ils doivent être fixés pour prévenir un basculement vers l'avant susceptible d'occasionner des blessures graves ou la mort. Lisez et observez la totalité des instructions d'installation pour connaître la façon de fixer l'électroménager sur le dispositif antibasculement.

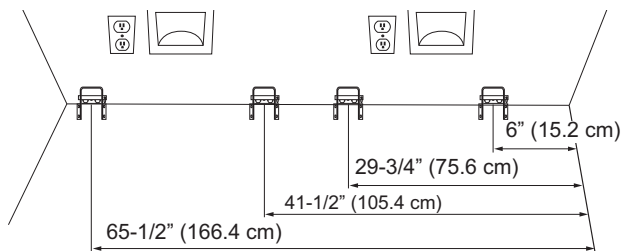
### ⚠ ADVERTENCIA



#### Riesgo de Caídas

Estos electrodomésticos son inestables, especialmente cuando una puerta se encuentre abierta, y deben estar asegurados a fin de evitar caídas hacia adelante que podrían resultar en la muerte o en lesiones graves. Lea y siga las instrucciones de instalación en su totalidad para asegurar el electrodoméstico con el sistema anti volcaduras.

- Remove the anti-tip brackets from the hardware kit.
- Anti-tip brackets should be mounted against the back wall unless the enclosure is deeper than 25-1/2" (64.7 cm). If the enclosure is deeper than 25-1/2", the anti-tip bracket should be secured to the floor so that the back side of the anti-tip bracket is 25" from the front of the enclosure (bracket hardware is provided for mounting into wood and concrete).
- Measure and mark from the right side of the opening per dimensions shown.



## STEP 4 INSTALL ANTI-TIP BRACKET (Cont.)

- Mount the anti-tip bracket centered about the marks and flush to the floor as shown. Mark 3 holes for wall mounting or 4 holes for floor mounting.

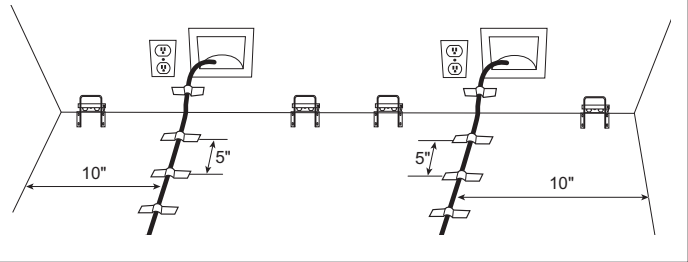
**WOOD MOUNTING:** Predrill with 3/16" drill bit, 2" deep, then install provided lag bolts with a 3/8" driver.

**CONCRETE MOUNTING:** Predrill with a 5/32" concrete bit, 2" deep, then install provided tapcon screws with a 5/16" driver.

**NOTE:** For substrates not listed above, contact a licensed contractor to determine the appropriate hardware.

The bracket must be screwed to either the FLOOR or REAR WALL.

- Tape the waterline to the wall and floor as shown below. Waterline should be 10" (25.4 cm) away from adjacent wall. Apply tape about every 5" (12.7 cm) toward front of unit. This will keep the waterline away from the anti-tip bracket(s) and prevent the unit from rolling over the waterline during installation. Do not tape near the cabinet front in order to keep tape hidden under the unit.

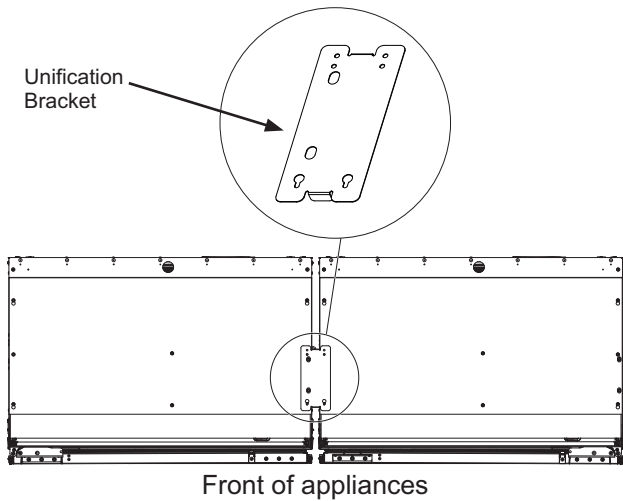


# Installation Instructions - Dual Integrated Installation

## STEP 5 JOINING DUAL INSTALLED UNITS

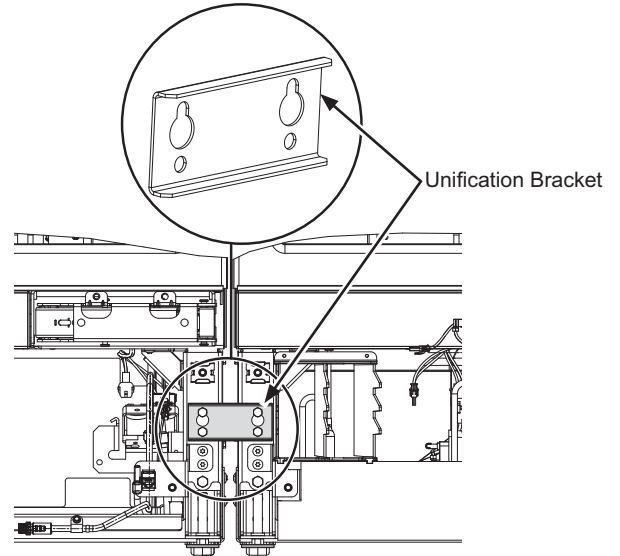
### TOP UNIFICATION

- Loosen the middle two screws, remove the two rear screws.
- Assemble the bracket to the middle screws and reassemble the rear screws.
- Tighten screws to tie units together.



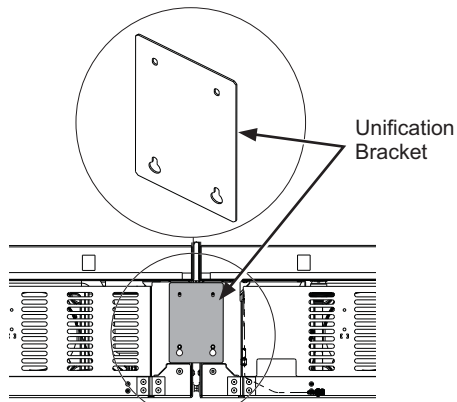
### BOTTOM FRONT UNIFICATION

- Install the bottom front unification bracket using a 3/8" driver (4 screws).



### BOTTOM BACK UNIFICATION

- Loosen the two bottom screws of rear access covers of both units and remove the top screws.
- Hang the unification bracket to the bottom screws and reassemble the screws at the top
- Tighten screws to tie units together.



# Installation Instructions - Dual Integrated Installation

## STEP 6 CONNECTING WATER SUPPLY

**⚠ WARNING** Connect to potable water supply only. A cold water supply is required for automatic icemaker operation. The water pressure must be between 40 and 120 psi (275-827 kilopascals).

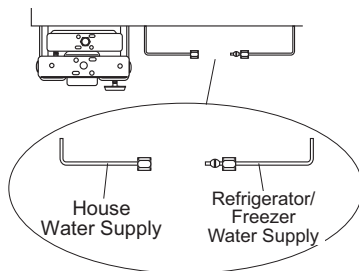
**⚠ AVERTISSEMENT** Raccordez l'appareil à une alimentation d'eau potable seulement. **Une alimentation d'eau froide est requise pour faire fonctionner la machine à glaçons et le pichet à remplissage automatique.** La pression d'eau doit se situer entre 40 et 120 psi. (275 à 827 kPa).

**⚠ ADVERTENCIA** Realice la conexión a un suministro de agua potable únicamente. Se requiere un suministro de agua fría para el funcionamiento de la máquina de hielos automática. La presión del agua deberá estar entre 40 y 120 p.s.i. (275 – 827 kPa).

**⚠ WARNING**  **ELECTRIC SHOCK HAZARD**  
Attach tubing clamp using existing hole only. DO NOT drill into the refrigerator.

**⚠ AVERTISSEMENT**  **RISQUE DE DÉCHARGE ÉLECTRIQUE**  
Fixez le collier de serrage dans le trou présent seulement. NE PERCEZ PAS dans le réfrigérateur.

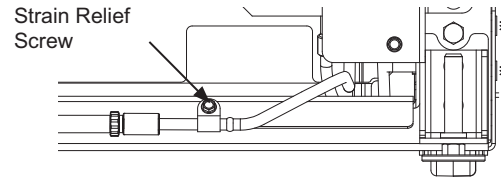
**⚠ ADVERTENCIA**  **PELIGRO DE DESCARGA ELÉCTRICA**  
Adhiera la abrazadera de la tubería usando el agujero existente únicamente. NO perfore el refrigerador.



- Locate and bring the tubing to the front of the cabinet.
- Turn the water on to flush debris from the line. Run about a quart of water through the tubing into a bucket, then shut off the water.

## STEP 6 CONNECTING WATER SUPPLY

- Remove strain relief screw to allow for enough slack to make a proper water connection. (Screw must be replaced in the next step.)



### Copper Tubing:

- Slip a 1/4" nut and ferrule over both ends of the copper tubing. Insert the tube into the union fitting on the unit and tighten the nut to the union.
- Turn on the water to check for leaks.

### SmartConnect™ Tubing:

**NOTE:** The only Café-approved plastic tubing is supplied in the SmartConnect™ Refrigerator Tubing kits. Do not use any other plastic water supply line because the line is under pressure at all times. Other types of plastic may crack or rupture with age and cause water damage to your home.

- Insert the molded end of the tubing into the refrigerator or freezer connection. Tighten the compression nut until it is just hand-tight.
- Follow the instructions provided with the tubing. Overtightening can cause leaks!
- Turn on the water to check for leaks.



# Installation Instructions - Dual Integrated Installation

## STEP 7 INSERTING/SECURING INTO CABINET SURROUND

### ⚠ WARNING Electrical Shock Hazard.

To reduce the risk of electrical shock, be careful during the remaining installation steps not to touch wiring or electrical components inside the compressor compartment while the appliance is plugged in and the front access cover is not in place.

### ⚠ AVERTISSEMENT Risque

**d'électrocution.** Afin de réduire le risque d'électrocution, usez de prudence lors des étapes d'installation suivantes afin de ne pas toucher au câblage ou composants électriques à l'intérieur du compartiment du compresseur une fois que l'électroménager est branché sans le couvercle d'accès refermé.

### ⚠ ADVERTENCIA Riesgo de Descarga

**Eléctrica.** A fin de reducir el riesgo de descarga eléctrica, tenga cuidado en los pasos restantes de la instalación de no tocar el cableado ni los componentes eléctricos dentro del compartimiento del compresor mientras el electrodoméstico está enchufado y la tapa de acceso frontal no está en su lugar.

- Plug both units into the outlet in the wall.
- Find the installation string that is attached to the front of the unit; this is to be used as you are pushing the unit back into the opening. The string is attached to the power cord; as you walk the unit back into the opening you should pull the string tight to make sure the power cord is routed underneath the unit.
- Slowly walk both units into opening making sure not to touch the cabinetry on the sides and top to prevent damage. The Stainless Steel Door face should be flush with the front face of surrounding cabinets.

## STEP 7 INSERTING/SECURING INTO CABINET SURROUND

### ⚠ WARNING Tip Over Hazard.

These appliances are top heavy, especially with any doors open, and must be secured to prevent tipping forward which could result in death or serious injury.

### ⚠ AVERTISSEMENT Trisque de

**basculement.** Ces électroménagers sont lourds du haut, notamment lorsqu'une porte est ouverte, de sorte qu'ils doivent être fixés pour prévenir un basculement vers l'avant susceptible d'occasionner des blessures graves ou la mort.

### ⚠ ADVERTENCIA Riesgo de

**Caída.** Estos electrodomésticos son inestables, especialmente cuando una puerta se encuentre abierta, y deben estar asegurados a fin de evitar caídas hacia adelante que podrían resultar en la muerte o en lesiones graves

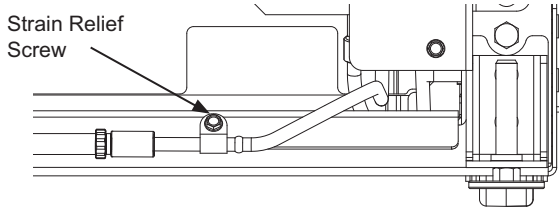
- Place power cord on its edge and pull under product between rollers and away from the anti-tip bracket to ensure cord is not damaged during installation.
- As you walk the unit back into the opening, you should pull the string tight to make sure the power cord is routed underneath the unit.



# Installation Instructions - Dual Integrated Installation

## STEP 7 INSERTING/SECURING INTO CABINET SURROUND (Cont.)

- Replace the waterline strain relief screw.



- Store the excess string, and water tubing under the unit.

### **⚠ WARNING** **Electrical Shock Hazard.**

Replace waterline strain relief in front rail location as shown.

### **⚠ AVERTISSEMENT** **Risque**

**d'électrocution.** Reposez la vis de décharge de tension dans le profilé avant comme illustré.

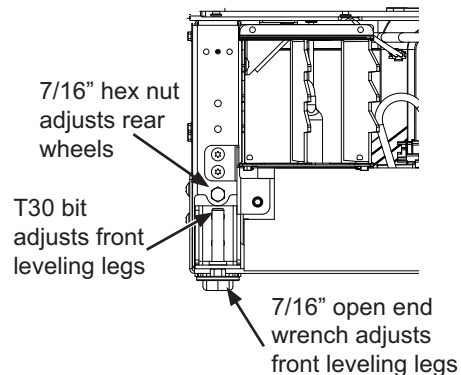
### **⚠ ADVERTENCIA** **Riesgo de Descarga**

**Eléctrica** Reemplace el amortiguador de refuerzo de la tubería de agua frente a la ubicación del riel, como se muestra.

## STEP 8 LEVEL UNIT

All models have 4-point leveling. The front is supported by leveling legs; the rear is supported by adjustable wheels. Both are accessible from the front of the unit.

- To level the back of the unit, turn the 7/16" hex nut located above the front leveling legs. Turn clockwise to raise or counterclockwise to lower the unit.
- For front leveling, use a T-30 bit at the top of the leveling leg or a 7/16" open-end wrench at the bottom of the leveling leg.
- Adjust height of unit to match installation cutout opening 84". The unit should be level and plumb with cabinetry. The front wheels must be a minimum of 1/8" (0.3 cm) off the floor.



**NOTICE:** The rear leveling wheels and front leveling legs are limited to a maximum height adjustment of 1". If the installation requires more than 84" height, the installer should elevate the unit on a sheet of plywood or runners. Cabinetry trim could also be added across the top of the opening to shorten the opening. If you attempt to raise the unit more than 1", you will damage the front leveling legs and the rear leveling wheels.

## STEP 9 Install Door Trims

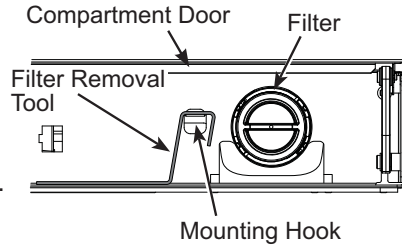
- Ensure anti-tip brackets are engaged with the back of the unit.
- See Section Door Panel Adjustments and Trim Installation for details.

# Installation Instructions - Dual Integrated Installation

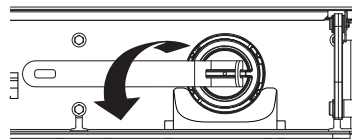
## STEP 10 FINAL EXTERNAL UNIT PREPARATION

**FOR FLUSH INSTALLATION:** Make sure front surface of the door is flush with the front face of surrounding cabinets BEFORE securing brackets to the surrounding cabinetry.

- Open the doors to the units. Locate filter and filter removal tool. Filter should be as shown.



- Rotate filter ¼ turn counterclockwise (use filter removal tool if needed).



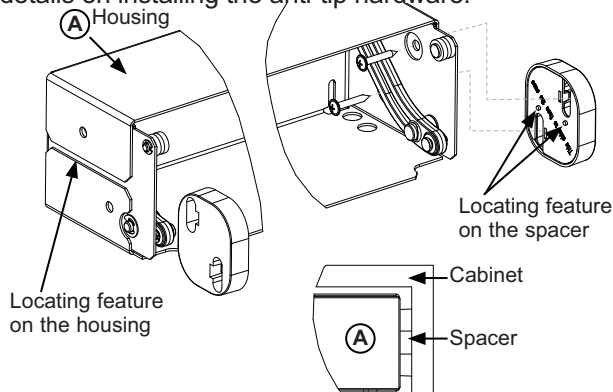
- Pull filter toward you to remove. **NOTE:** Water system will not function without filter in place.
- Pre-drill 1/16" holes in both the sides of the surround 1/2" deep through holes in the enclosure.

### CAUTION

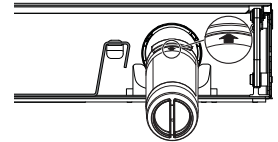
Use gloves and arm guard when installing spacers.

- Secure unit to surrounding cabinetry using the spacers and 1" Phillips screws provided with the unit. On Single Door models: Secure the handle side first before moving the hinge side. On French Door models, open one door and secure that side before moving to the other side.
- Open door to full extension and pass arm through opening between door and case to align spacers. Slide the spacers into place using the alignment features on the spacer and the side of the (A) housing until the spacer screw holes and housing screw holes are aligned. Drive the Phillips head screws through the housing into the surrounding cabinetry.

**NOTE:** This step does NOT replace the anti-tip safety hardware. Refer to Step 3 Installing Anti-Tip Bracket and Step 5 Inserting / Securing into Cabinet Surround for details on installing the anti-tip hardware.

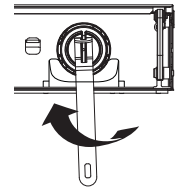


- Locate blue arrow on filter. Rotate filter to align arrow as shown.



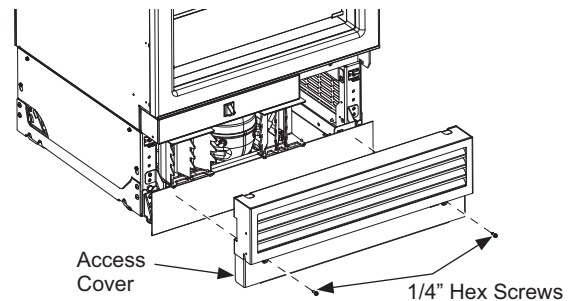
- Insert filter into position and rotate ¼ turn clockwise (use filter removal tool if needed).

- Return filter removal tool to mounting hook.

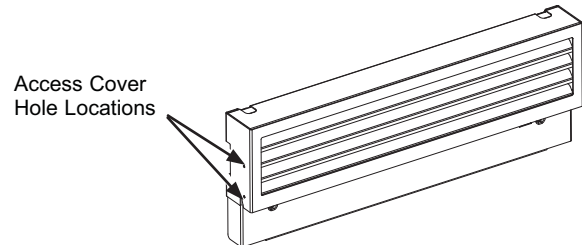


- **Close the compartment door.**

- Put the access cover back onto the unit and secure with two 1/4" hex head screws.



- On the side of the access cover that will face the middle of the installation, drive two 1/4" hex head screws. These screws will enhance attachment of mullion trim. Repeat on the second access cover.

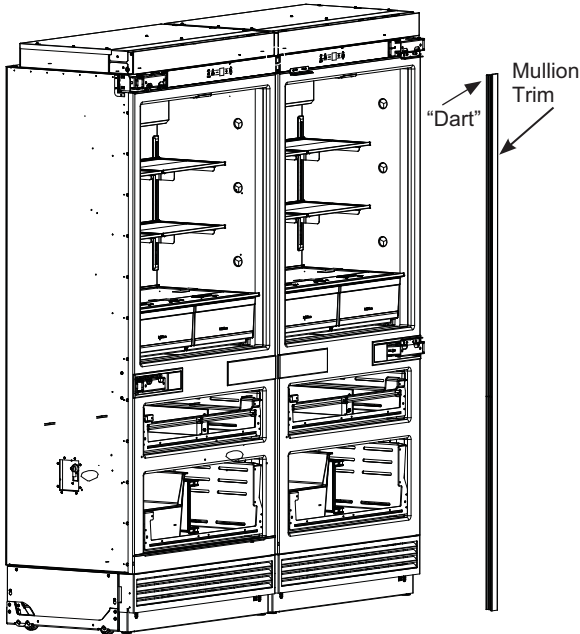


# Installation Instructions - Dual Integrated Installation

## STEP 10 FINAL EXTERNAL UNIT PREPARATION (Cont.)

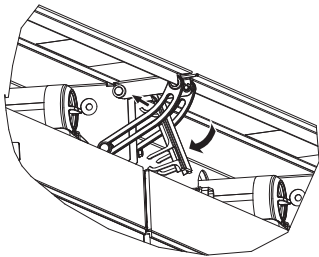
### Mullion Trim Installation

- Open all doors and drawers.
- Align top of Mullion Trim with top of control panels.
- Install mullion trim between the two units by pushing the dart in the area between the units.
- Ensure trim is fully seated against case. Adjust if necessary.

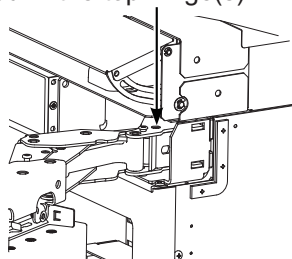


**NOTE:** Doors/Drawers not shown for clarity.

- Open both enclosure doors to 90°.
- Snap the trim bracket between the water filter access enclosures above displays.

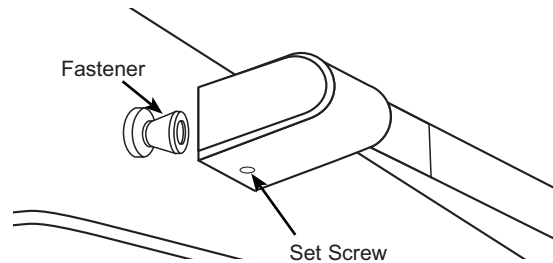


- If installation requires a 90° door opening, the hinge limiter pin(s) must be installed in the top hinge(s).
  - Open the door to expose the hole in the back hinge bracket and install the limiting pin. Pin must be fully seated in the hinge or the door will not close properly.



## STEP 11 HANDLE INSTALLATION

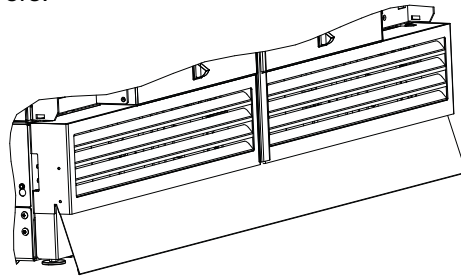
- Make sure the set screws in the handle caps are loosened. Place the handle over the fasteners on the door (we recommend putting the screw side of the handle toward the less visible side). Take care to support the handle so it doesn't fall and scratch the appliance finish. Make sure both of the handle caps are resting on the face of the door.



- Lock one end of the handle into position by tightening the set screw in the handle cap with the 1/8" Allen wrench. Be sure not to over tighten.
- Keep supporting the handle as you lock the other end of the handle into position by tightening the set screw in the handle cap with the 1/8" Allen wrench. Be sure not to over tighten.
- Repeat these instructions on all other handles.

## STEP 12 TOE KICK INSTALLATION

- A stainless steel toe kick and a magnet are included with each refrigerator. A full width toe kick (ZKN72V) for dual integrated installations can be purchased separately.
- For individual toe kicks, adhere magnets to the back side of the toe kicks. The surface of the toe kick where the magnet is to be placed must be clean and free of foreign material. Center magnets vertically and horizontally.
- Position toe kick(s) on bottom portion of front access covers.



# Installation Instructions - Dual Integrated Installation

## STEP 13 INTERNAL UNIT PREPARATION

- Remove all tape, cardboard, and foam from each unit.
- Remove boxed door bins from shelves.
- Unbox and install door bins.

## STEP 14 START ICEMAKER

**▲ CAUTION** To minimize the risk of personal injury, avoid contact with the moving parts of the ejector mechanism, or with the heating element that releases the cubes. Do not place fingers or hands on the automatic ice making mechanism while the appliance is plugged in.

**▲ ATTENTION** Afin de réduire le risque de blessure, évitez tout contact avec les pièces mobiles du mécanisme d'éjection ou l'élément chauffant qui libère les cubes. Ne placez pas les doigts ou les mains sur le mécanisme de production de glace automatique lorsque l'électroménager est branché dans la prise électrique.

**▲ PRECAUCIÓN** Para minimizar el riesgo de lesiones personales, evite el contacto con las partes móviles del mecanismo eyector o con el elemento de calefacción que libera los cubos. No coloque los dedos ni las manos en el mecanismo de la máquina de hielo automática mientras el electrodoméstico se encuentre enchufado.

**A newly-installed freezer may take 12–24 hours to begin making ice.**

The icemaker will produce seven cubes per cycle—approximately 15 cycles in a 24-hour period, depending on freezer compartment temperature, room temperature, number of door openings and other use conditions.

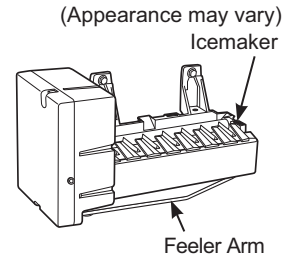
If the freezer is operated before the water connection is made to the icemaker, turn the ice maker off by pressing and holding the **Zone Select** pad until **Ice Off** appears.

## STEP 14 START ICEMAKER (Cont.)

When water has been connected to the water supply, turn the ice maker on by pressing and holding the **Zone Select** pad until **Ice On** appears.

Throw away the first full bucket of ice to allow the water line to clear.

Be sure nothing interferes with the sweep of the feeler arm.



When the bin fills to the level of the feeler arm, the icemaker will stop producing ice.

It is normal for several cubes to be joined together.

If ice is not used frequently, old ice cubes will become cloudy, taste stale and shrink.

**NOTE:** Icemaker works best between 40 and 120 PSI (275-827 kPa) home water pressure.

## **Door Panel Adjustments and Trim Installation**

**This step can be done for all installation types.**



# Installation Instructions - Door Panel Adjustments and Trim Installation

## HARDWARE SUPPLIED (per unit)



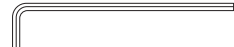
Door Trims  
6 - Single Door  
10 - French Door



Trim Caps  
12 - Single Door  
20 - French Door



M4 Allen Wrench



M5 Allen Wrench

### ⚠ WARNING



#### Door Trim Pinch Point

##### Hazard

Improper installation can lead to a finger pinch point hazard between the side door trim and the cabinets when operating the door, especially with children. To minimize this risk you must follow the installation instructions for cabinet dimensions, trim assembly, and door stop angle.

### ⚠ ADVERTENCIA



#### Riesgo de

#### Lastimadura con el Borde de la Puerta

Una instalación inadecuada puede conducir a riesgos de pellizcos de dedos entre el borde lateral de la puerta y los gabinetes al utilizar la puerta, especialmente con los niños. A fin de minimizar este riesgo, usted deberá seguir las instrucciones de instalación para dimensiones de gabinetes, ensambles de bordes y ángulos de detención de puertas.

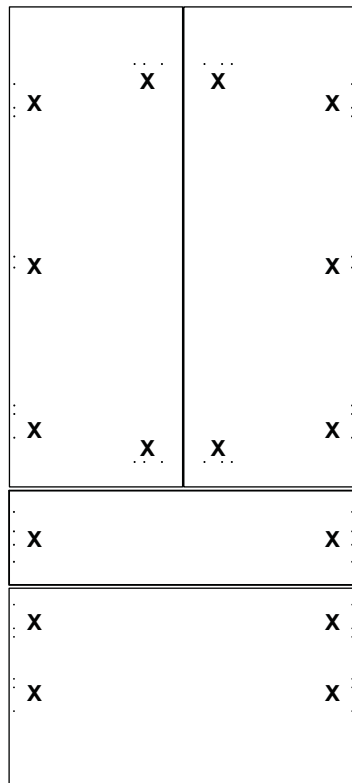
### ⚠ AVERTISSEMENT



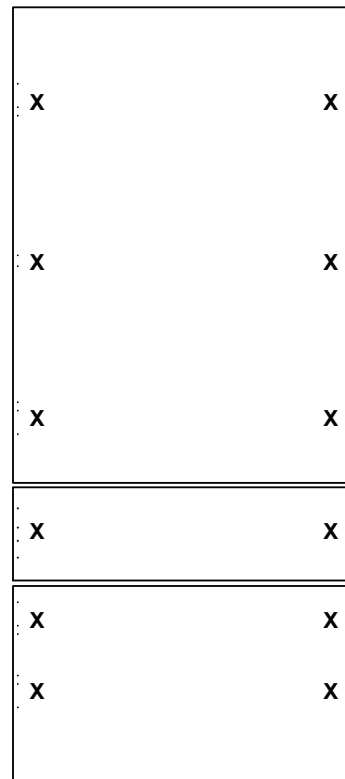
#### Risque de pincement

**de doigts.** Une installation incorrecte peut poser un risque de coincement de doigts entre la garniture de porte latérale et les armoires en manipulant la porte, en particulier pour les enfants. Pour réduire ce risque, vous devez suivre les instructions d'installation relatives aux dimensions d'armoire, au montage des garnitures et à l'angle de l'arrêt de porte.

## Panel Adjustment Bracket Locations



French Door

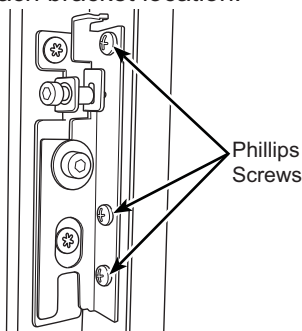


Single Door

# Installation Instructions - Door Panel Adjustments and Trim Installation

## Side to Side Adjustment

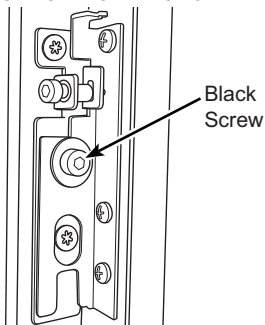
1. Loosen Phillips screws on back side of stainless steel panel at each bracket location.



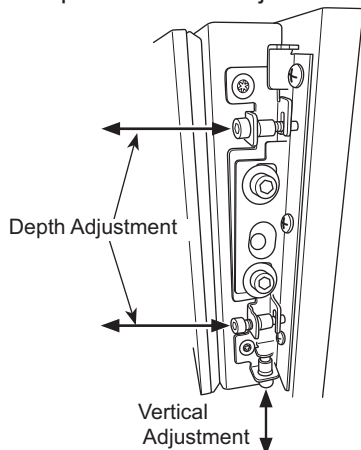
2. Adjust the panel(s) side to side.
3. Tighten screws.

## Height and Depth Adjustment

1. Loosen the black screws at each bracket location using the M5 Allen wrench.



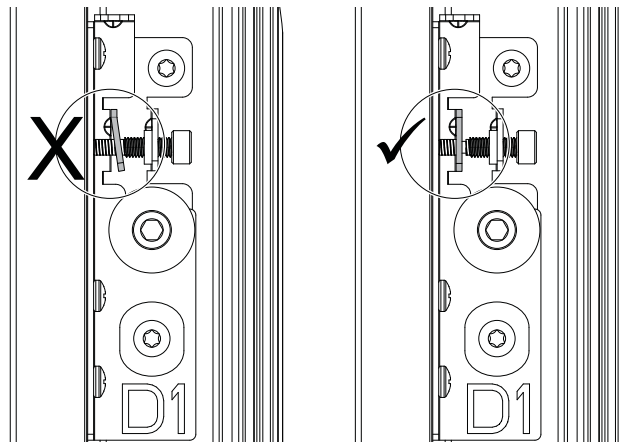
2. Use the M4 Allen wrench to adjust the refrigerator door panel depth and height to align with the adjacent cabinetry. Do not over torque adjustment screws, panel bracket tabs will bend and prevent proper trim attachment. There must be a minimum 1/8" gap between the panel and the adjacent cabinetry.



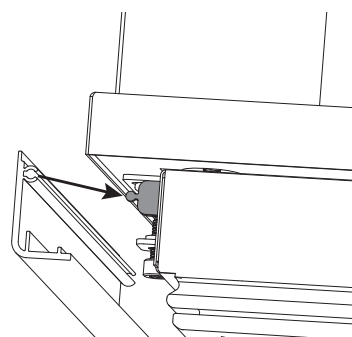
3. Once adjustments are complete, tighten black screws.

## Trim Installation

1. Before installing trims, inspect bracket tabs to verify they are not bent (see image). Tabs must be parallel to the panel in order to properly install the trims.

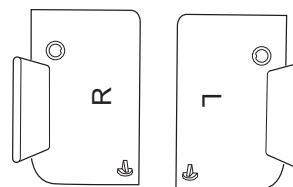


2. Clip trim onto brackets to hide the panel adjustment hardware.



3. Add trim caps to cover the ends of the trim.

**Note:** If trim caps are not flush with the top of the door, hold the top and bottom caps when adjusting the trim up or down so that the caps do not come loose. Make sure the caps are flush to the trims after adjustment.



NOTE: While performing installations described in this book, safety glasses or goggles should be worn.

NOTE: Product improvement is a continuing endeavor at GE Appliances. Therefore, materials, appearance and specifications are subject to change without notice.

# CAFÉ

DISTINCT BY DESIGN™

## Instructions d'installation

### Réfrigérateurs à congélateur en bas intégrés

<b>Sécurité</b>	2	Plancher	26
<b>Guide de conception</b>		Étape 1. Retrait de l'emballag	27
Dimensions et dégagements	3	Étape 2. Installez la conduite d'eau	27
Accessoires/Trousses	4	Étape 3. Préparation de l'appareil pour l'installation	
		- Dual install	28
<b>Instructions pour une installation standard simple</b>	5	Étape 4. Installation de la ferrure antibasculément	29
Espace d'installation	6	Étape 5. Accouplement des appareils installés	30
Outils, quincaillerie, matériaux	7	Étape 6. Remplacement du cordon d'alimentation	31
Mise à la terre de l'appareil	7	Étape 7. Installation de la garniture de carrosserie	31
Plancher	7	Étape 8. Raccordement de l'alimentation d'eau	32
Étape 1. Retrait de l'emballag	8	Étape 9. Placement et fixation dans l'encadrement	33
Étape 2. Installez la conduite d'eau	8	Étape 10. Mise à niveau de l'appareil	34
Étape 3. Installation de la ferrure antibasculément	9	Étape 11. Préparation finale de l'extérieur de l'appareil	34
Étape 4. Remplacement du cordon d'alimentation	10	Étape 12. Installation de la poignée	36
Étape 5. Installation de la garniture de carrosserie	10	Étape 13. Installation du coup-de-pied	36
Étape 6. Raccordement de l'alimentation d'eau	11	Étape 14. Préparation de l'intérieur de l'appareil	36
Étape 7. Placement et fixation dans l'encadrement	11	Étape 15. Démarrage de la machine à glaçons	36
Étape 8. Mise à niveau de l'appareil	12		
Étape 9. Préparation finale de l'extérieur de l'appareil	13	<b>Instructions pour une installation intégrée double</b>	37
Étape 10. Installation de la poignée	14	<b>(Modèles à une porte seulement)</b>	
Étape 11. Installation du coup-de-pied	14	Espace d'installation	38
Étape 12. Préparation de l'intérieur de l'appareil	14	Outils, quincaillerie, matériaux	39
Étape 13. Démarrage de la machine à glaçons	14	Mise à la terre de l'appareil	40
		Plancher	40
<b>Instructions pour une installation intégrée simple</b>	15	Étape 1. Retrait de l'emballag	40
Espace d'installation	16	Étape 2. Installez la conduite d'eau	41
Outils, quincaillerie, matériaux	17	Étape 3. Préparation de l'appareil pour l'installation	41
Mise à la terre de l'appareil	17	Étape 4. Installation de la ferrure antibasculément	42
Plancher	17	Étape 5. Accouplement Des Appareils Installés	43
Étape 1. Retrait de l'emballag	18	Étape 6. Raccordement de l'alimentation d'eau	44
Étape 2. Installez la conduite d'eau	18	Étape 7. Placement et fixation dans l'encadrement	44
Étape 3. Installation de la ferrure antibasculément	19	Étape 8. Mise À Niveau De L'appareil	45
Étape 4. Raccordement de l'alimentation d'eau	19	Étape 9. Préparation finale de l'extérieur de l'appareil	45
Étape 5. Placement et fixation dans l'encadrement	20	Étape 10. Installation de la poignée	47
Étape 6. Mise à niveau de l'appareil	21	Étape 11. Installation du coup-de-pied	47
Étape 7. Préparation finale de l'extérieur de l'appareil	21	Étape 12. Préparation de l'intérieur de l'appareil	47
Étape 8. Installation de la poignée	22	Étape 13. Démarrage de la machine à glaçons	48
Étape 9. Installation du coup-de-pied	22		
Étape 10. Préparation de l'intérieur de l'appareil	22	<b>Réglage des panneaux de porte et installation</b>	
Étape 11. Démarrage de la machine à glaçons	23	<b>des garnitures</b>	49
		Quincaillerie fournie	50
<b>Instructions pour une installation standard double</b>	24	Emplacements des supports de réglage des panneaux	50
Espace d'installation	25	Réglage horizontal	51
Outils, quincaillerie, matériaux	26	Réglage en hauteur et profondeur	51
Mise à la terre de l'appareil	26	Installation des garnitures	51

Des questions? Visitez [cafeappliances.com](http://cafeappliances.com).

Français

31-1000731 Rev. 3 04-24

# Consignes de sécurité

## AVANT DE COMMENCER

Veuillez lire toutes ces instructions attentivement.

- **IMPORTANT** – Conservez ces instructions à l'usage de l'inspecteur local. Observez tous les codes et décrets en vigueur.
- **Note à l'installateur** – Assurez-vous de laisser ces instructions au consommateur.
- **Note au consommateur** - Conservez ces instructions avec votre manuel d'utilisation pour consultation ultérieure.

Si vous avez reçu un appareil endommagé, veuillez communiquer immédiatement avec votre revendeur ou votre entrepreneur.

**Niveau de compétence** – L'installation de cet appareil exige des compétences de base en mécanique, menuiserie et plomberie. La responsabilité d'une installation adéquate relève de l'installateur. La garantie Café ne couvre pas les défauts du produit causés par une installation inadéquate. Consultez le manuel d'utilisation pour des renseignements sur la garantie.

### **AVERTISSEMENT** **Risque d'électrocution.**

Branchez l'appareil dans une prise à 3 broches mise à la terre.

N'enlevez pas la broche de mise à la terre.

N'utilisez pas un adaptateur.

Cessez immédiatement l'utilisation d'un cordon électrique endommagé. Si le cordon électrique est endommagé, son remplacement doit être exécuté par un technicien en réparation qualifié au moyen d'un cordon de rechange autorisé par le fabricant.

N'utilisez pas un cordon de rallonge avec cet électroménager. Le non-respect de ces instructions peut occasionner un décès, un incendie ou un choc électrique.

Suivez les instructions de la section Mise à la terre de l'appareil.

Le circuit électrique auquel cet électroménager sera raccordé doit comporter un disjoncteur ou un autre dispositif permettant de couper l'alimentation électrique à l'appareil après l'installation.

### **AVERTISSEMENT** **Risque de basculement.**

Ces électroménagers sont lourds du haut, notamment lorsqu'une porte est ouverte, de sorte qu'ils doivent être fixés pour prévenir un basculement vers l'avant susceptible d'occasionner des blessures graves ou la mort. Lisez et observez la totalité des instructions d'installation pour connaître la façon de fixer l'électroménager sur le dispositif antibasculement.

### **AVERTISSEMENT** **Risque d'incendie ou d'explosion.**

Gardez les matières et les vapeurs inflammables à distance de l'électroménager. L'omission de prendre cette précaution peut entraîner un incendie, une explosion ou la mort.

### **AVERTISSEMENT** Pour réduire le risque d'étouffement pendant l'installation de ce produit, ne pas laisser les petites pièces à la portée des enfants âgés de moins de 3 ans.

### **AVERTISSEMENT** **Risque lié à la manipulation d'un objet lourd**

Cet appareil est très lourd. Afin de réduire le risque de blessure pendant la manipulation et l'installation de cet électroménager, la participation de 3 personnes est nécessaire à l'exécution d'une installation correcte.

### **AVERTISSEMENT** Gardez vos doigts éloignés des points de pincement. Les espaces entre les portes et ceux entre les portes et l'armoire sont particulièrement restreints. Soyez prudent lorsque vous fermez les portes en présence d'enfants.

## MISE AU REBUT ADÉQUATE DE VOTRE ÉLECTROMÉNAGER

Veuillez jeter ou recycler votre électroménager conformément aux règlements fédéraux ou locaux. Communiquez avec les instances locales pour en savoir plus sur la mise au rebut ou le recyclage de votre électroménager.

- Considérez les options de recyclage des matériaux d'emballage de votre électroménager.

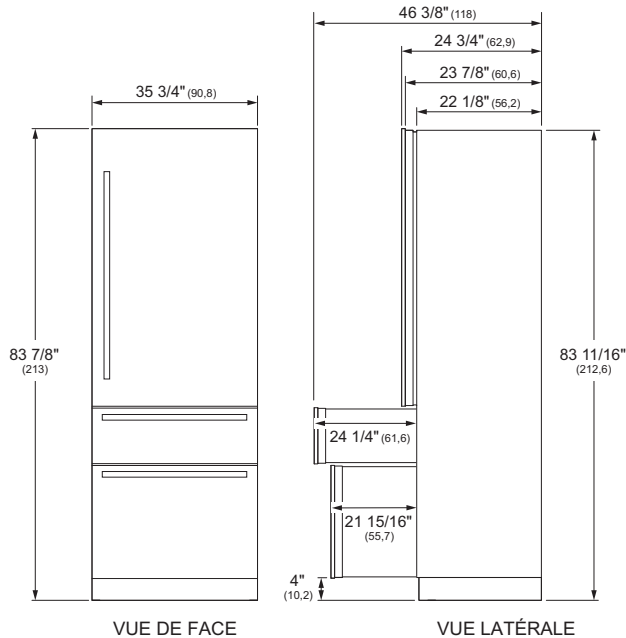
# Guide de conception

## DIMENSIONS ET DÉGAGEMENTS

Les dimensions entre parenthèses sont en centimètres.

### Dimensions hors tout (avec panneaux de porte 3/4 po installés)

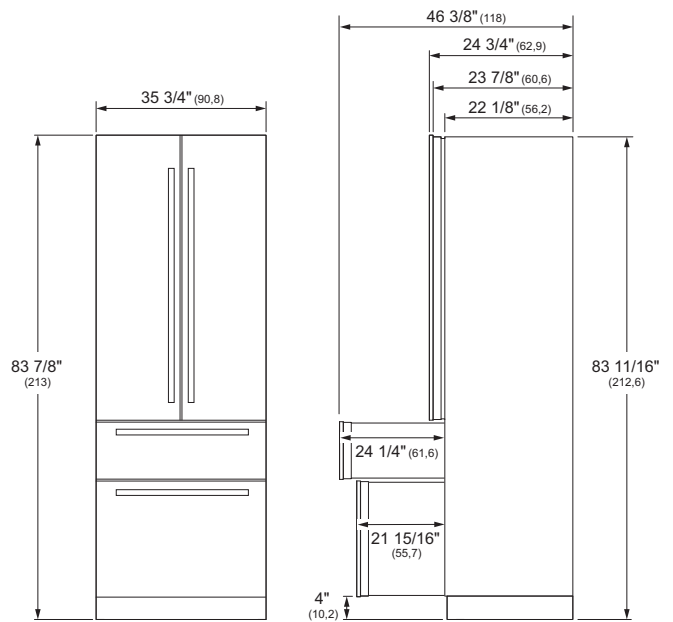
#### Modèles à une porte



VUE DE FACE

VUE LATÉRALE

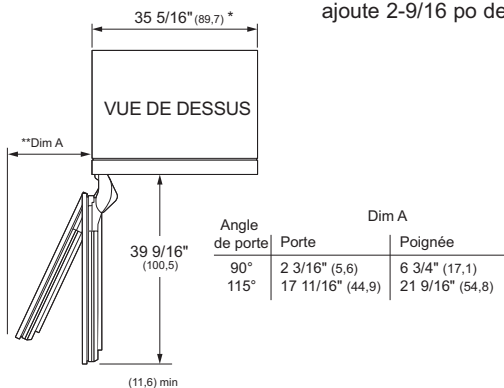
#### Modèles à porte française



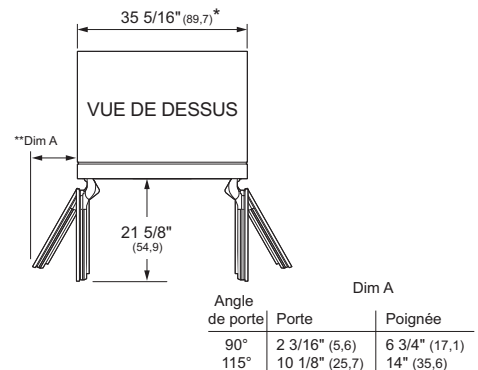
VUE DE FACE

VUE LATÉRALE

\* Dimension de profondeur sans poignée. La poignée ajoute 2-9/16 po de profondeur.



\*Largeur de carrosserie à la partie la plus large.  
\*\*Dim A = Dégagement nécessaire au mur ou à l'électroménager adjacent.  
Dimensions basées sur une hauteur de poignée de 2 9/16 po (6,5) et d'un dégagement de main de 2 po (5,1)



\*Largeur de carrosserie à la partie la plus large.  
\*\*Dim A = Dégagement nécessaire au mur ou à l'électroménager adjacent.  
Dimensions basées sur une hauteur de poignée de 2 9/16 po (6,5) et d'un dégagement de main de 2 po (5,1)

### Hauteur d'expédition

Utilisez les pieds et les roues de mise à niveau pour régler la hauteur jusqu'à 84 po (213,36 cm). L'ajustement maximal est de 1 po (2,54 cm).

### Dégagements du produit

Ces appareils sont dotés d'une butée de porte à 2 positions. L'ouverture de porte de 115° réglée à l'usine peut s'ajuster à 90° si le dégagement aux armoires ou aux murs adjacents est restreint.

Reportez-vous à Dim A ci-dessus pour connaître les dégagements pour l'ouverture de la porte.

# Guide de conception

L'installation des réfrigérateurs à congélateur en bas intégrés Café peut se réaliser selon plusieurs configurations en fonction des situations.

## Instructions pour l'installation intégrée - Double et simple

Installation dans une nouvelle construction avec des ouvertures de 25 po (63,5 cm) de profondeur

## Instructions pour l'installation standard - Double et simple

Installation dans une construction existante (ouvertures existantes) avec ouvertures d'une profondeur de 24 po et d'une largeur de 35 1/2 po ou de 71 1/2 po pour les installations doubles.

## ACCESSOIRES/TROUSSES

- Trousse d'union d'éléments chauffants **ZKMV**
- Tuyau d'eau 8 pi (2,5 m) WX08X10006
- Trousse d'installation standard simple **ZKW36V**
- Trousse d'installation standard double **ZKW72V**
- Coup-de-pieds en acier inoxydable pour installation double

72"	ZKK72R (Installation standard)
72"	ZKN72V (Installation standard)

- Trousses de poignées, porte française

CXSB4H4PVBZ	4 poignées, bronze
CXSB4H4PVCU	4 poignées, cuivre
CXSB4H4PVBZ	4 poignées, noir
CXSB4H4PVCG	4 poignées, laiton
CXSB4H4PVFB	4 poignées, noir mat

- Trousses de poignées, pour porte simple

CXSB3H3PVBZ	3 poignées, bronze
CXSB3H3PVCU	3 poignées, cuivre
CXSB3H3PVBZ	3 poignées, noir
CXSB3H3PVCG	3 poignées, laiton
CXSB3H3PVFB	3 poignées, noir mat

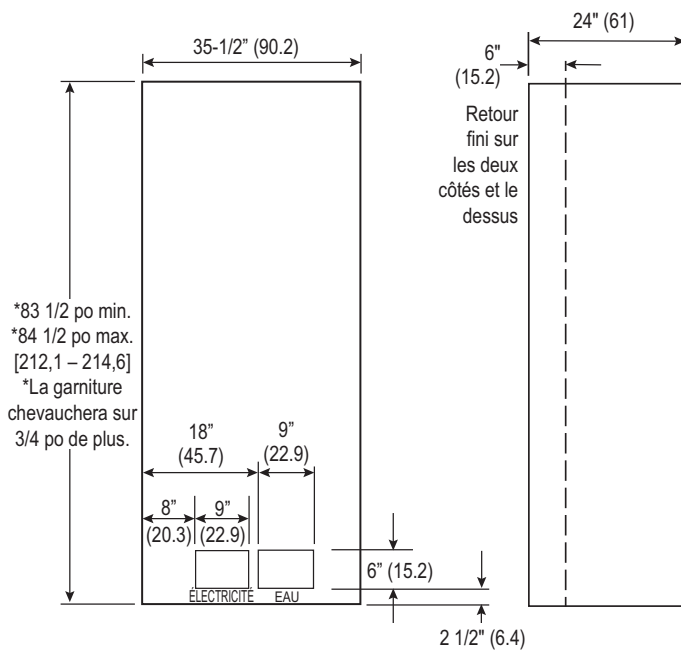


**Instructions pour une installation standard simple**  
Installation pour construction existante avec ouvertures de 24 po de  
profondeur, et une largeur de 35 1/2 po

# Guide de conception – Installation standard simple

## DIMENSIONS D'UNE INSTALLATION STANDARD SIMPLE

Les dimensions entre parenthèses sont en centimètres.



### Pour ouvertures de 24 po de profondeur

Un trousse de garniture (ZKW36V) est nécessaire pour les installations standard.

### Position des tuyaux d'eau et du câblage électrique

L'emplacement électrique recommandé est illustré dans le schéma. Si l'emplacement électrique est plus haut que celui illustré, utilisez un cordon électrique plus long que celui fourni dans la trousse de garniture (ZKW36V). Suivez les instructions à l'étape 4 pour changer le cordon d'alimentation.

L'alimentation en eau doit être à l'emplacement illustré.

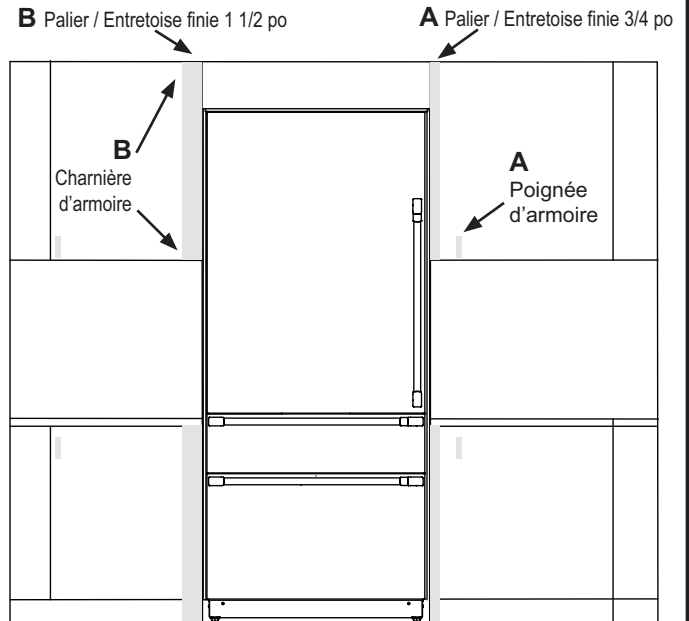
### Dégagements du produit

Ces appareils sont dotés d'une butée de porte à 2 positions. L'ouverture de porte de 115° réglée à l'usine peut s'ajuster à 90° si le dégagement aux armoires ou aux murs adjacents est restreint.

Reportez-vous à Dim A de la page 3 pour connaître les dégagements requis pour l'ouverture de la porte.

### Spécifications supplémentaires

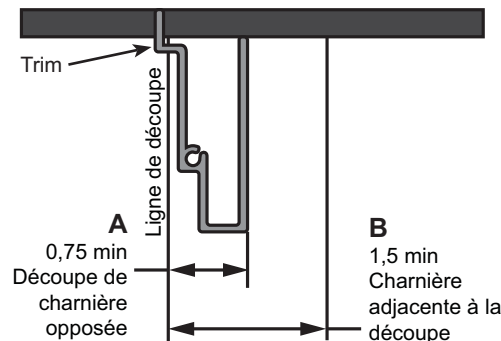
- Une alimentation électrique distincte de 115 volts, 60Hz, 15 ou 20 ampères, est recommandée pour chaque produit. Un circuit de dérivation ou un disjoncteur distincts correctement mis à la terre sont recommandés. Installez une prise électrique à trois alvéoles correctement mise à la terre encastree dans le mur arriere. Le câblage électrique doit se situer sur le mur arriere comme illustré.
- Le tuyau d'eau doit se situer sur le mur arriere comme illustré. Le tuyau d'eau doit être en cuivre d'un diamètre extérieur de 1/4 po ou un tuyau de la trousse QuickConnect™ (WX08X10006) qu'il faut installer entre la conduite d'eau froide et le raccord d'alimentation



d'eau, d'une longueur suffisante pour atteindre le devant de l'appareil (8 pi [2,4 m]). L'installation d'un robinet de sectionnement aisément accessible est requise.

### Dimensions d'espace minimum avec les garnitures installées.

- Un jeu de 3/4 po est requis pour le bord de porte ou du tiroir de caisson adjacent avec la charnière opposée à la découpe.
- Un jeu de 1 1/2 po est requis pour le bord de porte ou du tiroir de caisson adjacent avec la charnière opposée à la découpe.



- A. Dégagement facultatif Poignée d'armoire à côté de la garniture. Dégagement minimum de 3/4 po (correspondant à la finition de l'armoire) nécessaire à partir de l'ouverture de découpe pour la garniture standard
- B. Dégagement facultatif Charnière d'armoire à côté de la garniture. Dégagement minimum de 1 1/2 po (correspondant à la finition de l'armoire) nécessaire à partir de l'ouverture de découpe pour la garniture standard afin de dégager les charnières de porte d'armoire.

# Instructions d'installation - Installation standard simple

## EMPLACEMENT DU RÉFRIGÉRATEUR/ CONGÉLATEUR

- N'installez pas le réfrigérateur/congélateur à un endroit où la température est susceptible de descendre en dessous de 55 °F (13 °C). L'appareil ne fonctionnera pas suffisamment souvent pour maintenir les températures appropriées.
- N'installez pas le réfrigérateur/congélateur à un endroit où la température dépassera 100 °F (37 °C). L'appareil ne fonctionnera pas correctement.
- N'installez pas le réfrigérateur/congélateur dans un endroit exposé à l'eau (pluie, etc.) ou aux rayons directs du soleil.
- Installez l'appareil sur un plancher suffisamment robuste pour supporter son poids à pleine capacité.

## OUTILS ET MATÉRIEL REQUIS

- Cisaille à tôle (recommandé)
- Tournevis cruciformes nos 1 et 2
- Tournevis à lame plate
- Couteau à mastic (recommandé)
- Ruban à mesurer
- Perceuse et forets 1/16, 5/64, 3/16 po
- Foret à béton 5/32 po (si antibasculément posé sur béton)
- Visseuse/douille 1/4, 3/8, 1/2, 7/16 po
- Clé ouverte 7/16 po
- Visseuse/embout T10, T20, T30
- Visseuse hexagonale 1/8, 1/4 po (clé Allen)
- Niveau
- Robinet de sectionnement d'eau (facultatif mais recommandé)
- Conduite d'eau 8 pi
- Ruban-cache
- Alcool à friction
- Clé réglable 10 po
- Poinçon
- Trousse de poignée (le cas échéant)
- Petite clé à cliquet 1/4 ou 3/8 po
- Trousse de garniture standard (ZKW36V)
- Tournevis à angle droit ou rallonge de mèche d'une longueur de 8 po minimum, 1/4 po de diamètre

## QUINCAILLERIE FOURNIE (par appareil)

- Ferrure antibasculément (2 pour)
- Tirefonds
- Vis Tapcon
- Vis hexagonales 1/4 po
- Trousse de quincaillerie de porte

## MISE À LA TERRE DE L'APPAREIL

### ⚠ AVERTISSEMENT Risque d'électrocution

Le non-respect de ces instructions peut occasionner un décès, un incendie ou un choc électrique

Le cordon d'alimentation de cet appareil est muni d'une fiche à 3 broches (mise à la terre) qui se branche dans une prise murale ordinaire à 3 alvéoles (mise à la terre) pour réduire au minimum les risques de chocs électriques.

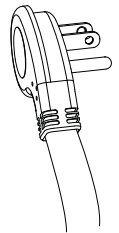
Faites examiner la prise de courant et le circuit par un électricien qualifié pour vous assurer que la prise est correctement mise à la terre.

Dans le cas d'une prise biphasée (2 alvéoles), l'installateur a la responsabilité et l'obligation de la remplacer par une prise triphasée correctement mise à la terre.

**EN AUCUN CAS, NE COUPEZ NI NE RETIREZ LA TROISIÈME BROCHE (TERRE) DU CORDON ÉLECTRIQUE.**

**N'UTILISEZ PAS UNE FICHE D'ADAPTATION POUR BRANCHER LE RÉFRIGÉRATEUR DANS UNE PRISE À DEUX BORNES.**

**N'UTILISEZ PAS UN CORDON DE RALLONGE AVEC CET APPAREIL.**



## PLANCHER

Une installation correcte exige que ce produit soit placé sur la surface de niveau d'un matériau solide de la même hauteur que le reste du plancher. Cette surface doit être suffisamment robuste pour supporter un réfrigérateur ou un congélateur totalement rempli, ou environ 1 200 lb (545 kg) par appareil.

**REMARQUE :** Protégez le fini du plancher.

**REMARQUE :** Non recommandé pour une installation sur moquette.

# Instructions d'installation - Installation standard simple

## ÉTAPE 1 RETRAIT DE L'EMBALLAGE

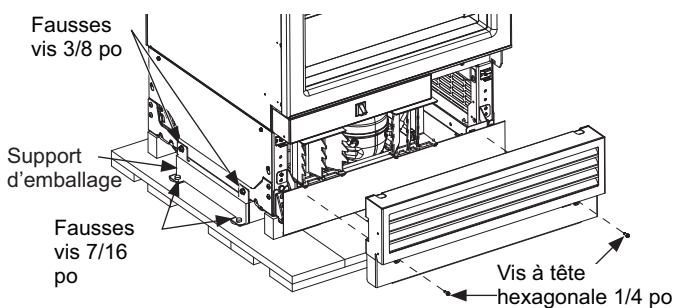
### ⚠ AVERTISSEMENT



#### Risque de

**basculement.** Cet électroménager est lourd du haut. Usez d'extrême prudence en le déplaçant afin de prévenir un basculement susceptible d'occasionner des blessures graves ou la mort.

- Retirez la boîte extérieure et autres parties de l'emballage extérieur des appareils.
- Il y a une boîte de pièces collée à l'extérieur du réfrigérateur. Cette boîte comprend un coup-de-pied pour des installations intégrées simples et des pièces de porte qui seront installées une fois les ajustements de panneau de porte effectués. Conservez ces pièces.
- Vérifiez s'il existe des dommages.
- Vérifiez l'absence de dommages.
- Assurez-vous que le plancher sur lequel reposeront les appareils est propre et exempt de débris pouvant s'agglutiner ou coincer l'avant des roulettes et endommager le plancher. Il est aussi recommandé que le plancher soit protégé par un recouvrement plastique pendant la durée de l'installation.
- Retirez les poignées de l'intérieur du compartiment réfrigérateur.
- Retirez les trusses de quincaillerie qui se trouvent à l'intérieur de l'appareil.
- Enlevez le couvercle d'accès frontal de l'appareil en retirant deux vis à tête hexagonale 1/4 po. Mettez le couvercle et les vis de côté pour l'installation à venir.
- Retirez deux fausses vis 3/8 po et deux fausses vis 7/16 po de chaque côté de l'appareil afin de le libérer du patin de manutention. Inclinez l'appareil depuis un côté suffisamment pour retirer le matériel d'emballage qui se trouve en dessous, mais au-dessus du patin de manutention (deux côtés).
- AVEC PRÉCAUTION, roulez l'appareil pour le dégager du côté arrière du patin de manutention.
- Manipulez l'appareil depuis le côté seulement à l'aide d'un chariot.



## ÉTAPE 2 INSTALLEZ LA CONDUITE D'EAU

### ⚠ AVERTISSEMENT

Raccordez l'appareil à une alimentation d'eau potable seulement. Une alimentation d'eau froide est requise pour faire fonctionner la machine à glaçons et le pichet à remplissage automatique et le distributeur d'eau (certains modèles). La pression d'eau doit se situer entre 40 et 120 psi. (275 à 827 kPa).

### ⚠ AVERTISSEMENT



#### RISQUE DE DÉCHARGE ÉLECTRIQUE

Fixez le collier de serrage dans le trou présent seulement. NE PERCEZ PAS dans le réfrigérateur.

### Fermez l'alimentation d'eau principale.

Ouvrez le robinet le plus près suffisamment longtemps pour nettoyer la conduite d'eau.

- Il est recommandé d'installer un robinet d'arrêt entre le robinet d'eau et le tuyau d'eau froide dans un sous-sol ou une armoire adjacente. Le robinet de sectionnement doit être situé à un endroit aisément accessible.
- Ouvrez l'alimentation d'eau principale et rincez les débris. Faites couler environ un litre d'eau à travers le tuyau aboutissant dans un seau. Coupez l'alimentation d'eau au robinet de sectionnement.

**REMARQUE :** Des robinets d'arrêt à étrier ne sont pas recommandés bien qu'ils soient inclus dans plusieurs trusses d'alimentation d'eau. Avant d'acheter, assurez-vous qu'un robinet de sectionnement à étrier satisfait les codes de plomberie de votre région.

**REMARQUE :** Les codes de plomberie 248CMR du Commonwealth du Massachusetts doivent être satisfaits. Les robinets à étrier sont illégaux et leur utilisation prohibée dans le Massachusetts. Consultez votre plombier agréé.

- Achetez un tuyau en cuivre de 1/4 po (D.E.) ou un tuyau en plastique SmartConnect™ (WX08X10006) entre le tuyau d'eau froide de la maison et l'emplacement du raccord d'eau à l'avant de l'appareil.
  - Le tuyau doit être suffisamment long pour atteindre le devant de l'appareil. Prévoyez une longueur de tuyau suffisante pour la courbe menant au raccord de la conduite d'eau.
- REMARQUE :** Les seuls tuyaux en plastique approuvés par Café sont ceux inclus dans les trusses de tuyaux pour réfrigérateur SmartConnect™. N'utilisez pas d'autres tuyaux d'alimentation d'eau en plastique car ils seront sous pression constamment. D'autres types de plastique peuvent se fissurer ou se rompre avec le temps et occasionner des dégâts d'eau dans votre domicile.
- Le tuyau d'eau sera fixé au plancher avec du ruban-cache après la pose des ferrures antibasculement.

# Instructions d'installation - Installation standard simple

## ÉTAPE 3 INSTALLATION DE LA FERRURE ANTIBASCULEMENT

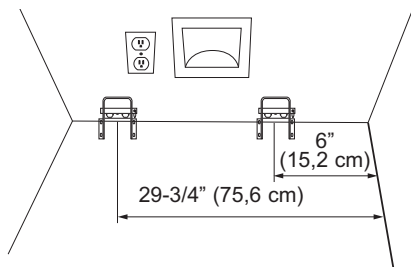
### ⚠ AVERTISSEMENT



### Risque de

**basculement.** Ces électroménagers sont lourds du haut, notamment lorsqu'une porte est ouverte, de sorte qu'ils doivent être fixés pour prévenir un basculement vers l'avant susceptible d'occasionner des blessures graves ou la mort. Lisez et observez la totalité des instructions d'installation pour connaître la façon de fixer l'électroménager sur le dispositif antibasculement.

- Retirez la ou les ferrures antibasculement de la trousse de quincaillerie.
- Fixez les ferrures antibasculement sur le plancher de façon que l'arrière des ferrures se trouve à 22 5/8 po (57,5 cm) de l'avant de l'enceinte (la visserie des ferrures est fournie pour le montage dans le bois ou le béton).
- Mesurez et marquez à partir du côté droit de l'ouverture selon les dimensions indiquées.



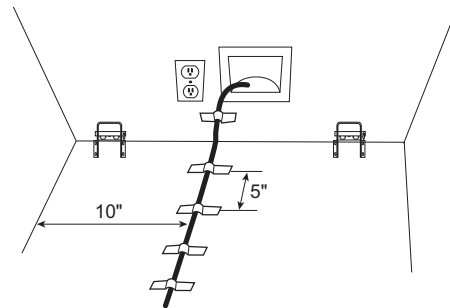
- Posez la ferrure antibasculement en la centrant par rapport aux marques et à égalité du plancher, comme illustré. Marquez 3 trous pour le montage sur mur et 4 trous pour le montage sur plancher.

**MONTAGE SUR BOIS:** Percez un avant-trou de 2 po de profondeur avec un foret 3/16 po, puis installez les tirefonds fournis à l'aide d'une visseuse 3/8 po.

**MONTAGE SUR BÉTON:** Percez un avant-trou de 2 po de profondeur avec un foret 5/32 po, puis installez les vis Tapcon fournies à l'aide d'une visseuse 5/16 po.

**REMARQUE:** Pour les substrats non mentionnés ci-dessus, contactez un entrepreneur agréé pour déterminer le matériel approprié.

- La ferrure doit être vissée dans le **PLANCHER** ou le **MUR ARRIÈRE**.
- Fixez le tuyau d'eau avec du ruban sur le mur et le plancher, comme illustré ci-dessous. Le tuyau d'eau doit se trouver à 10 po (25,4 cm) du mur adjacent. Appliquez du ruban tous les 5 pouces (12,7 cm) à devant l'appareil. Ceci permettra de garder la conduite d'eau éloignée des supports antibasculements et éviter que l'appareil ne roule sur la conduite d'eau pendant l'installation. N'appliquez pas de ruban près de la face de l'armoire pour que le ruban puisse rester camoufler sous l'appareil.



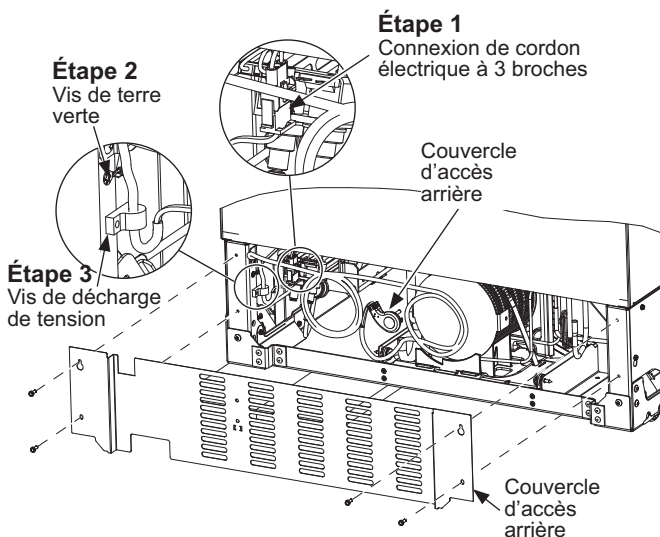
# Instructions d'installation - Installation standard simple

## ÉTAPE 4 REMPLACEMENT DU CORDON D'ALIMENTATION ÉLECTRIQUE

Si l'emplacement de votre prise électrique nécessite un cordon d'alimentation plus long, suivez les instructions ci-dessous pour utiliser le cordon d'alimentation plus long fourni avec la trousse d'installation standard.

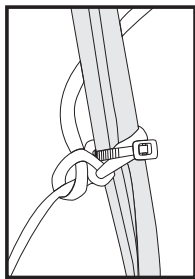
**Des cordons d'alimentation électrique plus longs sont nécessaires avec la trousse d'installation standard.**

- Retirez les vis hexagonales de 0,6 cm (1/4 po) fixant le couvercle d'accès arrière.
  1. Débranchez la connexion de cordon électrique à 3 broches à l'intérieur du compartiment machine (poussez sur les côtés pour libérer les languettes de verrouillage).
  2. Retirez la vis hexagonale de terre verte (1/4 po) du cordon électrique.
  3. Retirez la vis hexagonale de décharge de tension (1/4 po).
  4. Retirez la ficelle du cordon d'alimentation court en coupant la ficelle près de l'attache de câble.



**Installez le nouveau cordon électrique long:**

1. Attachez la ficelle autour du cordon d'alimentation le plus long à 18 pouces (45,7 cm) de la bride de décharge de tension et placez l'attache de câble comme illustré.
2. Branchez le connecteur à 3 broches (assurez-vous que les languettes de verrouillage sont insérées).
3. Posez la vis de terre verte du cordon d'alimentation.
4. Posez la vis de décharge de tension.



**Remarque:** Ne serrez pas excessivement l'attache de câble. Un serrage excessif pourrait endommager le cordon d'alimentation.

## ÉTAPE 4 REMPLACEMENT DU CORDON D'ALIMENTATION ÉLECTRIQUE (suite)

### ⚠ AVERTISSEMENT Risque

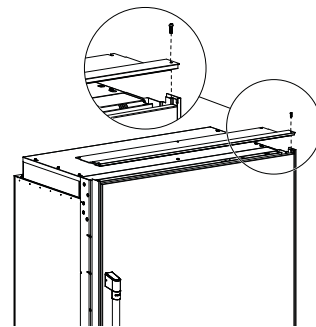
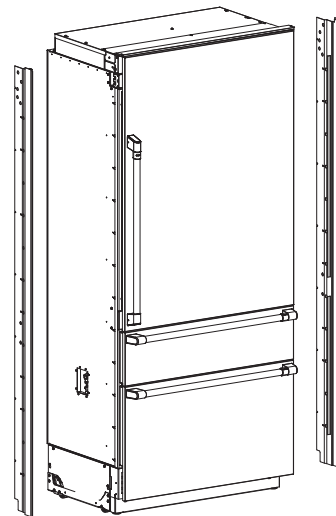
**d'électrocution.** L'omission d'observer ces instructions peut occasionner des blessures graves ou mortelles.

- L'entretien et la réparation du produit doivent être effectués par un technicien qualifié seulement.
- Débranchez l'alimentation électrique avant d'entretenir ou de réparer ce produit.
- Rebranchez tous les dispositifs de mise à la terre après l'entretien ou la réparation.
- Remettez en place toutes les pièces et tous les panneaux avant l'utilisation.

- Remplacez le couvercle d'accès arrière. Assurez-vous que le cordon électrique et le fil de terre sont correctement acheminés à travers l'orifice du couvercle d'accès.

## ÉTAPE 5 INSTALLATION DE LA GARNITURE DE CARROSSERIE

- Installez les rails latéraux de la trousse de garniture sur les parois exposées gauche et droite du caisson avec les vis à tête cruciforme no 8 fournies – 8 vis par côté.
- Desserrez les vis à tête hexagonale du couvercle supérieur de manière que les fentes de la garniture supérieure puissent glisser entre les vis à tête hexagonale et le couvercle supérieur.
- Assemblez la garniture supérieure et les rails latéraux en faisant glisser les bords exposés de la garniture de coin dans les rails latéraux de la trousse de garniture droite et gauche. Alignez et insérez les deux vis à tête cruciforme numéro 8-32 dans les trous de vis des rails latéraux pour vous assurer que la garniture supérieure s'adapte parfaitement aux rails latéraux.
- Serrez les vis à tête hexagonale du couvercle supérieur de sorte que la garniture supérieure soit fixée à la carrosserie.



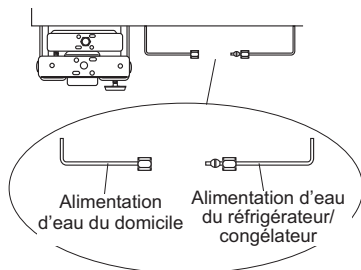


# Instructions d'installation - Installation standard simple

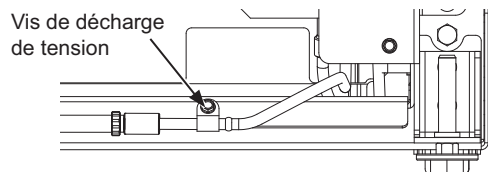
## ÉTAPE 6 RACCORDEMENT DE L'ALIMENTATION D'EAU

**⚠ AVERTISSEMENT** Raccordez l'appareil à une alimentation d'eau potable seulement. Une alimentation d'eau froide est requise pour faire fonctionner la machine à glaçons et le pichet à remplissage automatique. La pression d'eau doit se situer entre 40 et 120 psi. (275 à 827 kPa).

**⚠ AVERTISSEMENT**  **RISQUE DE DÉCHARGE ÉLECTRIQUE**  
Fixez le collier de serrage dans le trou présent seulement. NE PERCEZ PAS dans le réfrigérateur.



- Repérez et acheminez le tuyau à l'avant de l'armoire.
- Ouvrez l'alimentation d'eau pour rincer les débris de la conduite. Faites couler environ un litre d'eau à travers le tuyau aboutissant dans un seau, puis fermez l'alimentation d'eau.
- Retirez la vis de décharge de tension pour laisser suffisamment de jeu pour le raccordement d'eau. (La vis doit être reposée à l'étape suivante.)



### Tuyau de cuivre :

- Enfiler un écrou 1/4 po et une bague d'extrémité aux deux bouts du tuyau de cuivre. Insérez le tuyau dans le raccord union sur l'appareil et serrez l'écrou sur le raccord union.
- Ouvrez l'alimentation d'eau pour vérifier l'absence de fuites.

### Tuyau SmartConnect™ :

**REMARQUE :** Les seuls tuyaux en plastique approuvés par Café sont ceux inclus dans les trousse de tuyaux pour réfrigérateur SmartConnect™. N'utilisez pas d'autres tuyaux d'alimentation d'eau en plastique car ils seront sous pression constamment. D'autres types de plastique peuvent se fissurer ou se rompre avec le temps et occasionner des dégâts d'eau dans votre domicile.

- Insérez l'extrémité moulée du tube dans le raccord du réfrigérateur ou du congélateur. Serrez l'écrou à compression à la main.
- Suivez les instructions fournies avec la tuyauterie. Un serrage excessif peut causer des fuites!
- Ouvrez l'alimentation d'eau pour vérifier l'absence de fuites.

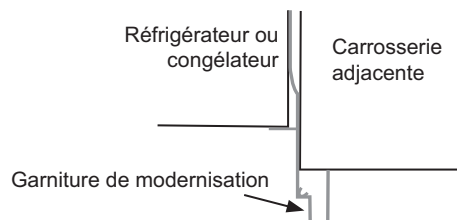
## ÉTAPE 7 PLACEMENT ET FIXATION DANS L'ENCADREMENT

- Branchez l'appareil dans la prise murale.

**⚠ AVERTISSEMENT**  **Risque**

**d'électrocution.** Afin de réduire le risque d'électrocution, usez de prudence lors des étapes d'installation suivantes afin de ne pas toucher au câblage ou composants électriques à l'intérieur du compartiment du compresseur une fois que l'électroménager est branché sans le couvercle d'accès refermé.

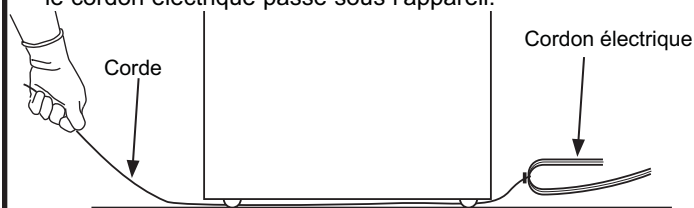
- Trouvez la corde d'installation fixé à l'avant de l'appareil; elle sert lorsque vous poussez l'appareil dans l'ouverture. Cette corde est attachée au cordon électrique; à mesure que vous poussez l'appareil dans l'ouverture, vous devez tirer fermement pour vous assurer que le cordon d'alimentation est acheminé sous l'appareil.
- Poussez lentement l'appareil dans l'ouverture en vous assurant de ne pas toucher aux armoires sur les côtés et le dessus afin d'éviter les dommages. L'arrière du dessus et du côté des garnitures de conversion doivent toucher les côtés de l'armoire lorsque les appareils sont poussés dans l'espace d'aménagement.



**⚠ AVERTISSEMENT**  **Risque de**

**basculement.** Ces électroménagers sont lourds du haut, notamment lorsqu'une porte est ouverte, de sorte qu'ils doivent être fixés pour prévenir un basculement vers l'avant susceptible d'occasionner des blessures graves ou la mort.

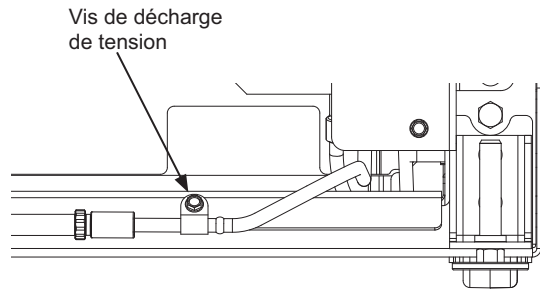
- Placez le cordon électrique sur son bord et tirez-le au-dessous de l'appareil entre les roulettes et à l'écart des ferrures antibasculement afin que le cordon ne soit pas endommagé pendant l'installation.
- À mesure que vous poussez l'appareil dans l'ouverture, vous devez tirer la corde fermement pour vous assurer que le cordon électrique passe sous l'appareil.



# Instructions d'installation - Installation standard simple

## ÉTAPE 7 PLACEMENT ET FIXATION DANS L'ENCADREMENT (suite)

- Reposez la vis de décharge de tension du tuyau d'eau.



- Rangez la bande excédentaire, la corde et le tuyau d'eau sous l'appareil.

### ⚠ AVERTISSEMENT



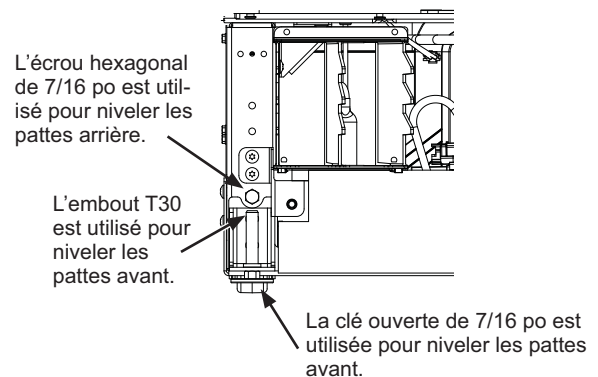
### Risque

**d'électrocution.** Reposez la vis de décharge de tension dans le profilé avant comme illustré.

## ÉTAPE 8 MISE À NIVEAU DE L'APPAREIL

Tous les modèles sont dotés de 4 points de nivellement. Le devant est supporté par des pieds de nivellement; l'arrière, par des roulettes réglables. Les deux types sont accessibles depuis le devant de l'appareil.

- Pour niveler l'arrière de l'appareil, tournez l'écrou hexagonal 7/16 po situé au-dessus des roulettes avant. Tournez dans le sens des aiguilles pour lever l'appareil, dans le sens inverse pour le baisser.
- Pour niveler le devant, utilisez un embout T30 sur le dessus de la patte de nivellement ou une clé ouverte de 7/16 po au bas de la patte de nivellement.
- Réglez la hauteur de l'appareil pour qu'elle corresponde à l'ouverture d'installation de 84 po. L'appareil doit être mis de niveau et d'équerre avec les armoires. Les roues avant doivent être à un minimum de 1/8 po (0,3 cm) du sol.

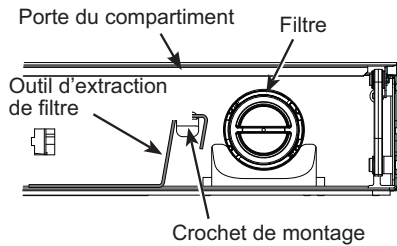


**AVIS :** Les roulettes de nivellement arrière et les pieds de nivellement avant sont limités à une hauteur de réglage maximale de 1 po. Si l'installation exige une hauteur supérieure à 84 po, l'installateur doit surélever l'appareil sur une feuille de contreplaqué ou des rails. On peut aussi ajouter une garniture d'armoire dans le haut de l'ouverture pour raccourcir celle-ci. Une tentative de lever l'appareil de plus de 1 po endommagera les pieds de nivellement avant et les roulettes de nivellement arrière.

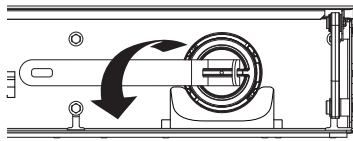
# Instructions d'installation - Installation standard simple

## ÉTAPE 9 PRÉPARATION FINALE DE L'EXTÉRIEUR DE L'APPAREIL

- Ouvrez la/les porte(s) de l'appareil. Repérez le filtre et l'outil d'extraction du filtre. Le filtre doit se placer tel qu'illustré.

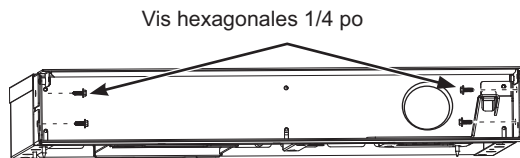


- Tournez le filtre de 1/4 de tour dans le sens contraire des aiguilles (utilisez l'outil d'extraction de filtre si nécessaire).

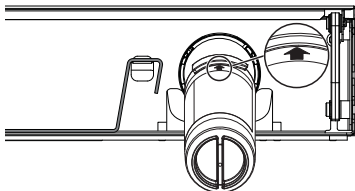


- Tirez le filtre vers vous pour le retirer. **NOTA** : Le système d'eau ne fonctionnera pas sans le filtre en place.
- Pré percez des trous de 1/16 po dans les deux côtés du contour sur une profondeur de 1/2 po à travers les trous dans l'enceinte.
- Fixez l'unité en vissant quatre vis hexagonales 1/4 po dans les deux côtés des armoires environnantes. Utilisez un outil à 90 degrés ou une rallonge alternative.

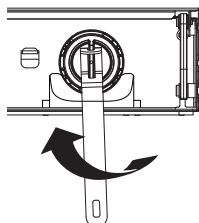
**REMARQUE** : Cette étape ne remplace PAS la quincaillerie antibasculement. Reportez-vous à l'étape 4 Installation de la ferrure antibasculement et à l'étape 7 Insertion/Fixation dans le contour d'armoires pour des instructions détaillées sur l'installation de la ferrure antibasculement. Pour les installations doubles, répétez la procédure pour le deuxième appareil.



- Repérez la flèche bleue sur le filtre. Tournez le filtre pour aligner la flèche comme illustré.



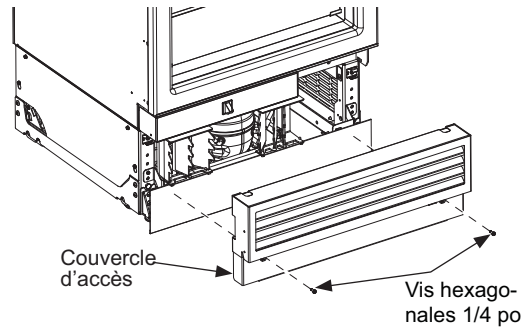
- Insérez le filtre en position et tournez-le de 1/4 de tour dans le sens des aiguilles (utilisez l'outil d'extraction de filtre si nécessaire).



- Retournez l'outil d'extraction de filtre sur le crochet de montage.

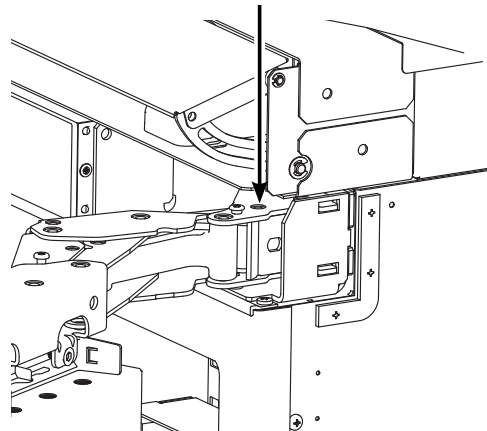
- Fermez la porte du compartiment.

- Remplacez le couvercle d'accès sur l'unité et fixez-le avec deux vis hexagonales 1/4 po.



- Si l'installation nécessite une ouverture de porte de 90°, la/les cheville(s) de limitation de charnière doit être installée dans la charnière supérieure AVANT que l'appareil ne soit retiré de son patin d'expédition. La cheville de limitation se trouve dans la trousse de quincaillerie.

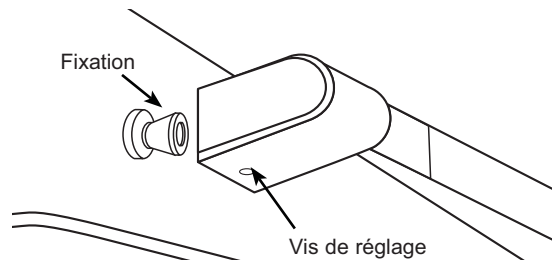
- Ouvrez la porte pour exposer le trou dans le support de charnière arrière et installez la cheville de limitation. La cheville doit reposer à fond dans la charnière sinon la porte ne fermera pas correctement.



# Instructions d'installation - Installation standard simple

## ÉTAPE 10 INSTALLATION DE LA POIGNÉE

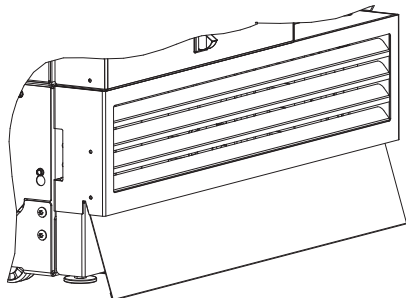
- Assurez-vous que les vis de réglage des couvercles de poignée sont desserrés. Placez la poignée sur les fixations de la porte (nous vous recommandons de placer le côté vis de la poignée vers le côté le moins visible). Prenez soin de soutenir la poignée de manière à ce qu'elle ne tombe pas et ne raye pas la finition de l'appareil. Assurez-vous que les deux couvercles de poignée reposent sur la face de la porte.



- Verrouillez une extrémité de la poignée en position en serrant la vis de réglage dans le couvercle de la poignée à l'aide de la clé hexagonale 1/8 po. Veillez à ne pas trop serrer.
- Continuez de soutenir la poignée tandis que vous verrouillez l'autre extrémité de la poignée en serrant la vis de serrage du couvercle de poignée avec la clé hexagonale 1/8 po. Veillez à ne pas trop serrer.
- Répétez ces instructions pour toutes les autres poignées.

## ÉTAPE 11 INSTALLATION DU COUP-DE-PIED

- Utilisez le coup-de-pied en acier inoxydable fourni avec la trousse d'installation standard simple ZKW36V. Le coup-de-pied et l'aimant de coup-de-pied qui sont expédiés avec l'appareil ne seront pas utilisés dans ce type d'installation.
- Placez le coup-de-pied sur la partie inférieure du couvercle d'accès avant.



## ÉTAPE 12 PRÉPARATION DE L'INTÉRIEUR DE L'APPAREIL

- Retirez tout le ruban, le carton et la mousse de chaque appareil (Les supports en mousse sont situés derrière les côtés gauche et droit à l'avant de chaque tablette de verre sur les modèles Réfrigérateur.)
- Retirez les balconnets emballés des tablettes.
- Déballiez et installez les balconnets.

## ÉTAPE 13 DÉMARRAGE DE LA MACHINE À GLAÇONS

### ⚠ ATTENTION

Afin de réduire le risque de blessure, évitez tout contact avec les pièces mobiles du mécanisme d'éjection ou l'élément chauffant qui libère les cubes. Ne placez pas les doigts ou les mains sur le mécanisme de production de glace automatique lorsque l'électroménager est branché dans la prise électrique.

**Un congélateur nouvellement installé peut mettre de 12 à 24 heures pour commencer à produire de la glace.**

La machine à glaçons produira sept glaçons par cycle, environ 15 cycles sur une période de 24 heures selon la température du compartiment congélateur, la température de la pièce, le nombre d'ouvertures de porte et d'autres conditions d'utilisation.

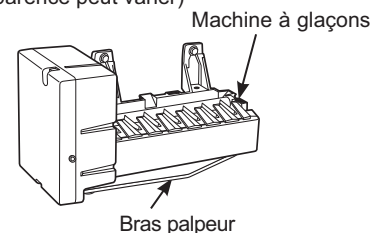
Si le congélateur est utilisé avant le raccordement de l'alimentation d'eau à la machine à glaçons, éteignez la machine à glaçons en maintenant Zone Select enfoncé jusqu'à ce que le message « Ice Off » s'affiche.

Une fois l'eau raccordée, allumez la machine à glaçons en maintenant Zone Select enfoncé jusqu'à ce que le message « Ice On » apparaisse.

Jetez les premiers remplissages de bac de glaçons pour permettre le nettoyage de la conduite d'eau.

Assurez-vous que rien ne gêne le mouvement du bras palpeur.

(L'apparence peut varier)



Lorsque le bac se remplit au niveau du bras palpeur, la machine à glaçons cesse de produire de la glace.

Il est normal que plusieurs glaçons s'agglutinent.

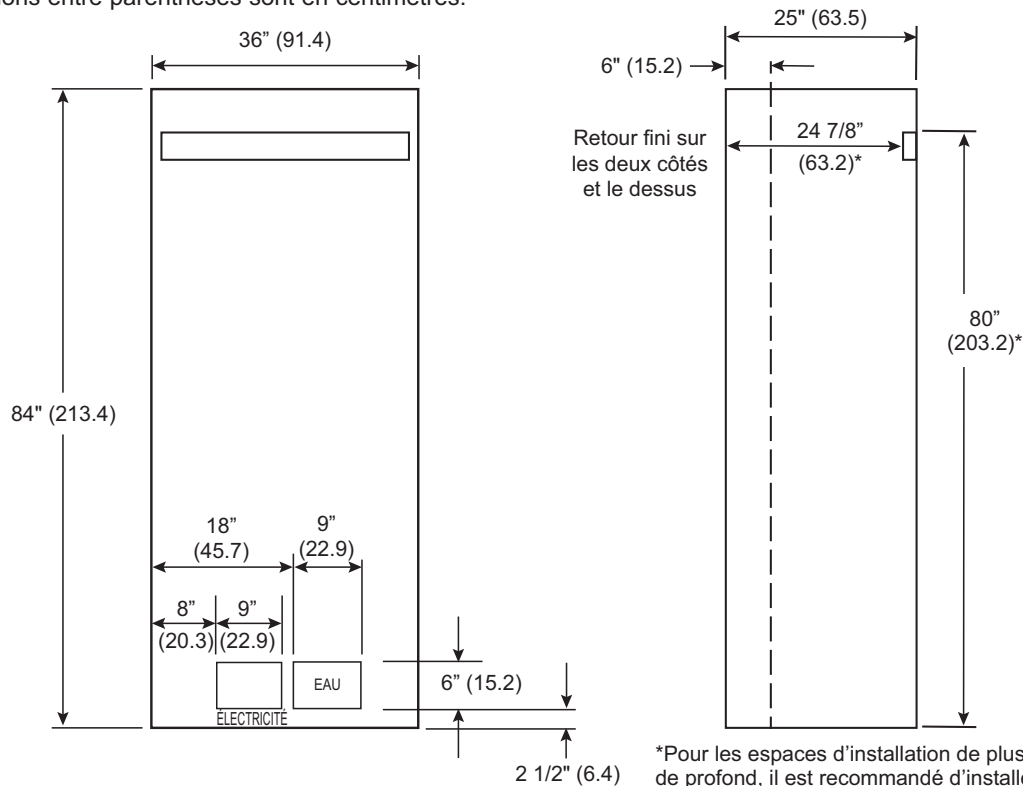
L'aspect, le goût et la taille des vieux glaçons seront altérés si ceux-ci ne sont pas consommés fréquemment.

**REMARQUE :** La machine à glaçons fonctionne mieux à une pression d'eau domestique entre 40 et 120 PSI (275 à 827 kPa).

**Instructions pour une installation intégrée simple**  
**Installation dans une nouvelle construction avec des**  
**ouvertures de 25 po (63,5 cm) de profondeur**

## DIMENSIONS D'UNE INSTALLATION INTÉGRÉE SIMPLE

Les dimensions entre parenthèses sont en centimètres.



\*Pour les espaces d'installation de plus de 25 po de profond, il est recommandé d'installer un bloc d'espacement selon les dimensions indiquées.

### Dégagements du produit

Ces appareils sont dotés d'une butée de porte à 2 positions. L'ouverture de porte de 115° réglée à l'usine peut s'ajuster à 90° si le dégagement aux armoires ou aux murs adjacents est restreint.

Reportez-vous à Dim A de la page 3 pour connaître les dégagements requis pour l'ouverture de la porte.

### Position des tuyaux d'eau et du câblage électrique

Les alimentations d'eau et électrique doivent se situer comme illustré.

**La profondeur de l'ouverture doit être de 25 po**

### Spécifications supplémentaires

- La source d'alimentation électrique requise est de 115 V, 60 Hz, 15 ou 20 ampères. Un circuit de dérivation ou un disjoncteur distincts correctement mis à la terre sont recommandés. Installez une prise électrique à trois alvéoles correctement mise à la terre encastrée dans le mur arrière. Le câblage électrique doit se situer sur le mur arrière comme illustré.
- Le tuyau d'eau doit se situer sur le mur arrière comme illustré. Le tuyau d'eau doit être en cuivre d'un diamètre extérieur de 1/4 po ou un tuyau de la trousse QuickConnect™ (WX08X10006) qu'il faut installer entre la conduite d'eau froide et le raccord d'alimentation d'eau, d'une longueur suffisante pour atteindre le devant de l'appareil (8 pi [2,4 m]). L'installation d'un robinet de sectionnement aisément accessible est requise.
- **Un retour fini d'au moins 15,2 cm [6 po] assorti à l'extérieur de l'armoire est recommandé à l'intérieur sur tous les côtés et sur le dessus à l'avant de l'ouverture.**



# Instructions d'installation - Installation intégrée simple

## EMPLACEMENT DU RÉFRIGÉRATEUR/ CONGÉLATEUR

- N'installez pas le réfrigérateur/congélateur à un endroit où la température est susceptible de descendre en dessous de 55 °F (13 °C). L'appareil ne fonctionnera pas suffisamment souvent pour maintenir les températures appropriées.
- N'installez pas le réfrigérateur/congélateur à un endroit où la température dépassera 100 °F (37 °C). L'appareil ne fonctionnera pas correctement.
- N'installez pas le congélateur/congélateur dans un endroit exposé à l'eau (pluie, etc.) ou aux rayons directs du soleil.
- Installez l'appareil sur un plancher suffisamment robuste pour supporter son poids à pleine capacité.

## OUTILS ET MATÉRIEL REQUIS

- Cisaille à tôle (recommandé)
- Tournevis cruciformes nos 1 et 2
- Tournevis à lame plate
- Couteau à mastic (recommandé)
- Ruban à mesurer
- Perceuse et forets 1/16, 5/64, 3/16 po
- Foret à béton 5/32 po (si antibasculément posé sur béton)
- Visseuse/douille 1/4, 3/8, 1/2, 7/16 po
- Clé ouverte 7/16 po
- Visseuse/embout T10, T20, T30
- Visseuse hexagonale 1/8, 1/4 po (clé Allen)
- Niveau
- Robinet de sectionnement d'eau (facultatif mais recommandé)
- Conduite d'eau 8 pi
- Ruban-cache
- Alcool à friction
- Clé réglable 10 po • Poinçon
- Poinçon
- Trousses de poignée (le cas échéant)
- Petite clé à cliquet 1/4 ou 3/8 po
- Tournevis à angle droit ou rallonge de mèche d'une longueur de 8 po minimum, 1/4 po de diamètre

## QUINCAILLERIE FOURNIE (par appareil)

- Ferrure antibasculément (2)
- Tirefonds (4)
- Vis Tapcon (3)
- Vis hexagonales 1/4 po
- 2 chevilles de limitation de charnière
- Trousse de garniture de porte

## MISE À LA TERRE DE L'APPAREIL

### ⚠ AVERTISSEMENT Risque d'électrocution

Le non-respect de ces instructions peut occasionner un décès, un incendie ou un choc électrique

Le cordon d'alimentation de cet appareil est muni d'une fiche à 3 broches (mise à la terre) qui se branche dans une prise murale ordinaire à 3 alvéoles (mise à la terre) pour réduire au minimum les risques de chocs électriques.

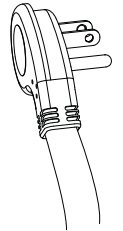
Faites examiner la prise de courant et le circuit par un électricien qualifié pour vous assurer que la prise est correctement mise à la terre.

Dans le cas d'une prise biphasée (2 alvéoles), l'installateur a la responsabilité et l'obligation de la remplacer par une prise triphasée correctement mise à la terre.

EN AUCUN CAS, NE COUPEZ NI NE RETIREZ LA TROISIÈME BROCHE (TERRE) DU CORDON ÉLECTRIQUE.

N'UTILISEZ PAS UNE FICHE D'ADAPTATION POUR BRANCHER LE RÉFRIGÉRATEUR DANS UNE PRISE À DEUX BORNES.

N'UTILISEZ PAS UN CORDON DE RALLONGE AVEC CET APPAREIL.



## PLANCHER

Une installation correcte exige que ce produit soit placé sur la surface de niveau d'un matériau solide de la même hauteur que le reste du plancher. Cette surface doit être suffisamment robuste pour supporter un réfrigérateur ou un congélateur totalement rempli, ou environ 1 200 lb (545 kg) par appareil.

**REMARQUE :** Protégez la fini du plancher.

**REMARQUE :** Non recommandé pour une installation sur moquette.

# Instructions d'installation - Installation intégrée simple

## ÉTAPE 1 RETRAIT DE L'EMBALLAGE

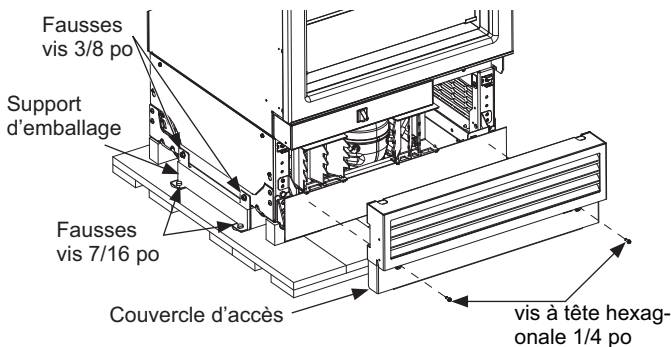
### ⚠ AVERTISSEMENT



Risque de

**basculement.** Cet électroménager est lourd du haut. Usez d'extrême prudence en le déplaçant afin de prévenir un basculement susceptible d'occasionner des blessures graves ou la mort.

- Retirez la boîte extérieure et autres parties de l'emballage extérieur des appareils.
- Il y a une boîte de pièces collée à l'extérieur du réfrigérateur. Cette boîte comprend un coup-de-pied pour des installations intégrées simples et des pièces de porte qui seront installées une fois les ajustements de panneau de porte effectués. Conservez ces pièces.
- Assurez-vous que le plancher sur lequel reposeront les appareils est propre et exempt de débris pouvant s'agglutiner ou coincer l'avant des roulettes et endommager le plancher. Il est aussi recommandé que le plancher soit protégé par un recouvrement plastique pendant la durée de l'installation.
- Retirez les poignées de l'intérieur du compartiment réfrigérateur.
- Retirez les trousse de quincaillerie qui se trouvent à l'intérieur de l'appareil.
- Enlevez le couvercle d'accès frontal de l'appareil en retirant deux vis à tête hexagonale 1/4 po. Mettez le couvercle et les vis de côté pour l'installation à venir.
- Retirez deux fausses vis 3/8 po et deux fausses vis 7/16 po de chaque côté de l'appareil afin de le libérer du patin de manutention.. Inclinez l'appareil depuis un côté suffisamment pour retirer le matériel d'emballage qui se trouve en dessous, mais au-dessus du patin de manutention (deux côtés).
- AVEC PRÉCAUTION, roulez l'appareil pour le dégager du côté arrière du patin de manutention.
- Manipulez l'appareil depuis le côté seulement à l'aide d'un chariot.



## ÉTAPE 2 INSTALLEZ LA CONDUITE D'EAU

### ⚠ AVERTISSEMENT

Raccordez l'appareil à une alimentation d'eau potable seulement. Une alimentation d'eau froide est requise pour faire fonctionner la machine à glaçons et le pichet à remplissage automatique. La pression d'eau doit se situer entre 40 et 120 psi. (275 à 827 kPa).

### ⚠ AVERTISSEMENT

RISQUE DE DÉCHARGE ÉLECTRIQUE

Fixez le collier de serrage dans le trou présent seulement. NE PERCEZ PAS dans le réfrigérateur.

### Fermez l'alimentation d'eau principale.

Ouvrez le robinet le plus près suffisamment longtemps pour nettoyer la conduite d'eau.

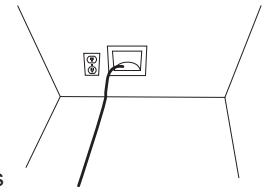
- Il est recommandé d'installer un robinet d'arrêt entre le robinet d'eau et le tuyau d'eau froide dans un sous-sol ou une armoire adjacente. Le robinet de sectionnement doit être situé à un endroit aisément accessible.
- Ouvrez l'alimentation d'eau principale et rincez les débris. Faites couler environ un litre d'eau à travers le tuyau aboutissant dans un seau. Coupez l'alimentation d'eau au robinet de sectionnement.

**REMARQUE :** Des robinets d'arrêt à étrier ne sont pas recommandés bien qu'ils soient inclus dans plusieurs trousse d'alimentation d'eau. Avant d'acheter, assurez-vous qu'un robinet de sectionnement à étrier satisfait les codes de plomberie de votre région.

**REMARQUE :** Les codes de plomberie 248CMR du Commonwealth du Massachusetts doivent être satisfaits. Les robinets à étrier sont illégaux et leur utilisation prohibée dans le Massachusetts. Consultez votre plombier agréé.

- Achetez le tuyau de cuivre 1/4 po (D.E.) ou le tuyau plastique SmartConnect™ (WX08X10006) entre la conduite d'eau froide du domicile et le raccord d'eau sur le devant de l'appareil.

Des trousse de tuyau pour réfrigérateur SmartConnect™ sont disponibles. Un tuyau d'eau de 8 pi (2,4 m) (WX08X10006) est nécessaire pour chaque appareil. Le ou les tuyaux d'eau seront fixés au plancher avec du ruban cache après la pose de la ferrure antibasculement.



- Le tuyau doit être suffisamment long pour atteindre le devant de l'appareil. Prévoyez une longueur de tuyau suffisante pour la courbe menant au raccord de la conduite d'eau.

**REMARQUE :** Les seuls tuyaux en plastique approuvés par Café sont ceux inclus dans les trousse de tuyaux pour réfrigérateur SmartConnect™. N'utilisez pas d'autres tuyaux d'alimentation d'eau en plastique car ils seront sous pression constamment. D'autres types de plastique peuvent se fissurer ou se rompre avec le temps et occasionner des dégâts d'eau dans votre domicile.

# Instructions d'installation - Installation intégrée simple

## ÉTAPE 3 INSTALLATION DE LA FERRURES ANTIBASCULEMENT

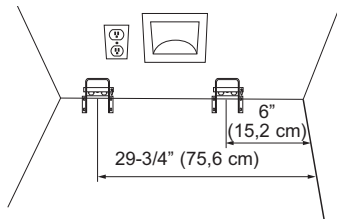
### ⚠ AVERTISSEMENT



Risque de

**basculement.** Cet électroménager est lourd du haut. Utilisez d'extrême prudence en le déplaçant afin de prévenir un basculement susceptible d'occasionner des blessures graves ou la mort. Lisez et observez la totalité des instructions d'installation pour connaître la façon de fixer l'électroménager sur le dispositif antibasculement.

- Retirez la ou les ferrures antibasculement de la trousse de quincaillerie.
- Les ferrures antibasculement doivent être montées contre le mur arrière, sauf si l'enceinte mesure plus de 25 1/2 po (64,7 cm) de profondeur. Si la profondeur de l'enceinte est supérieure à 25 1/2 po, la ferrure antibasculement doit être fixée au plancher de façon que sa face arrière se situe à 25 po de l'avant de l'enceinte (la quincaillerie de la ferrure est fournie pour le montage dans le bois ou le béton).



- Mesurez et marquez à partir du côté droit de l'ouverture selon les dimensions indiquées.
- Montez la ferrure antibasculement en la centrant d'après la marque et à égalité du plancher, comme illustré. Marquez 3 trous pour le montage sur mur et 4 trous pour le montage sur plancher.

**MONTAGE SUR BOIS:** Percez un avant-trou de 2 po de profondeur avec un foret 3/16 po, puis installez les tirefonds fournis à l'aide d'une visseuse 3/8 po.

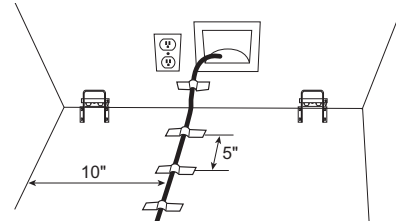
**MONTAGE SUR BÉTON:** Percez un avant-trou de 2 po de profondeur avec un foret 5/32 po, puis installez les vis Tapcon fournies à l'aide d'une visseuse 5/16 po.

**REMARQUE:** Pour les substrats non mentionnés ci-dessus, contactez un entrepreneur agréé pour déterminer le matériel approprié.

- La ferrure doit être vissée dans le **PLANCHER** ou le **MUR ARRIÈRE**.

## ÉTAPE 3 INSTALLATION DE LA FERRURES ANTIBASCULEMENT (suite)

- Fixez le tuyau d'eau avec du ruban sur le mur et le plancher, comme illustré ci-dessous. Le tuyau d'eau doit se trouver à 10 po (25,4 cm) du mur adjacent. Appliquez du ruban tous les 5 pouces (12,7 cm) à devant l'appareil. Ceci permettra de garder la conduite d'eau éloignée des supports antibasculements et éviter que l'appareil ne roule sur la conduite d'eau pendant l'installation. N'appliquez pas de ruban près de la face de l'armoire pour que le ruban puisse rester camoufler sous l'appareil.



## ÉTAPE 4 RACCORDEMENT DE L'ALIMENTATION D'EAU

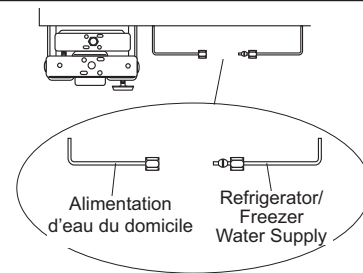
### ⚠ AVERTISSEMENT

Raccordez l'appareil à une alimentation d'eau potable seulement. Une alimentation d'eau froide est requise pour faire fonctionner la machine à glaçons et le pichet à remplissage automatique. La pression d'eau doit se situer entre 40 et 120 psi. (275 à 827 kPa).

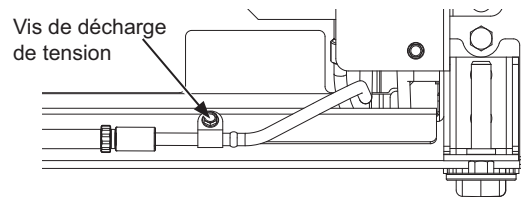
### ⚠ AVERTISSEMENT

RISQUE DE DÉCHARGE ÉLECTRIQUE

Fixez le collier de serrage dans le trou présent seulement. **NE PERCEZ PAS** dans le réfrigérateur.



- Retirez la vis de décharge de tension pour laisser suffisamment de jeu pour le raccordement d'eau. (La vis doit être reposée à l'étape suivante.)



# Instructions d'installation - Installation intégrée simple

## ÉTAPE 4 RACCORDEMENT DE L'ALIMENTATION D'EAU (Suite)

### Tuyau de cuivre :

- Enfiler un écrou 1/4 po et une bague d'extrémité aux deux bouts du tuyau de cuivre. Insérez le tuyau dans le raccord union sur l'appareil et serrez l'écrou sur le raccord union.
- Ouvrez l'alimentation d'eau pour vérifier l'absence de fuites.

### Tuyau SmartConnect™ :

**REMARQUE :** Les seuls tuyaux en plastique approuvés par Café sont ceux inclus dans les trousse de tuyaux pour réfrigérateur SmartConnect™. N'utilisez pas d'autres tuyaux d'alimentation d'eau en plastique car ils seront sous pression constamment. D'autres types de plastique peuvent se fissurer ou se rompre avec le temps et occasionner des dégâts d'eau dans votre domicile.

- Insérez l'extrémité moulée du tube dans le raccord du réfrigérateur ou du congélateur. Serrez l'écrou à la main.
- Suivez les instructions fournies avec la tuyauterie. Un serrage excessif peut causer des fuites!
- Ouvrez l'alimentation d'eau pour vérifier l'absence de fuites.

## ÉTAPE 5 PLACEMENT ET FIXATION DANS L'ENCADREMENT

- Branchez l'appareil dans la prise murale.

### ⚠ AVERTISSEMENT Risque

**d'électrocution.** Afin de réduire le risque d'électrocution, usez de prudence lors des étapes d'installation suivantes afin de ne pas toucher au câblage ou composants électriques à l'intérieur du compartiment du compresseur une fois que l'électroménager est branché sans le couvercle d'accès refermé.

- Trouvez la corde d'installation fixé à l'avant de l'appareil; elle sert lorsque vous poussez l'appareil dans l'ouverture. Cette corde est attachée au cordon électrique; à mesure que vous poussez l'appareil dans l'ouverture, vous devez tirer fermement pour vous assurer que le cordon d'alimentation est acheminé sous l'appareil.

## ÉTAPE 5 PLACEMENT ET FIXATION DANS L'ENCADREMENT

- Poussez lentement l'appareil dans l'ouverture en vous assurant de ne pas toucher aux armoires des côtés et du dessus afin de prévenir les dommages. La face de la porte en acier inoxydable doit être ajustée avec la face avant des armoires adjacentes.

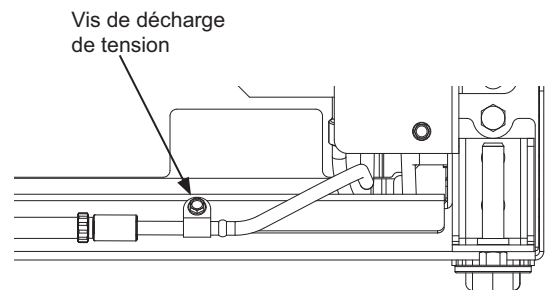
### ⚠ AVERTISSEMENT Trisque de

**basculement.** Ces électroménagers sont lourds du haut, notamment lorsqu'une porte est ouverte, de sorte qu'ils doivent être fixés pour prévenir un basculement vers l'avant susceptible d'occasionner des blessures graves ou la mort.

- Placez le cordon électrique sur son bord et tirez-le au-dessous de l'appareil entre les roulettes et à l'écart des ferrures antibasculement afin que le cordon ne soit pas endommagé pendant l'installation.
- À mesure que vous poussez l'appareil dans l'ouverture, vous devez tirer la corde fermement pour vous assurer que le cordon électrique passe sous l'appareil.



- Reposez la vis de décharge de tension du tuyau d'eau.



### ⚠ AVERTISSEMENT Risque

**d'électrocution.** Reposez la vis de décharge de tension dans le profilé avant comme illustré.

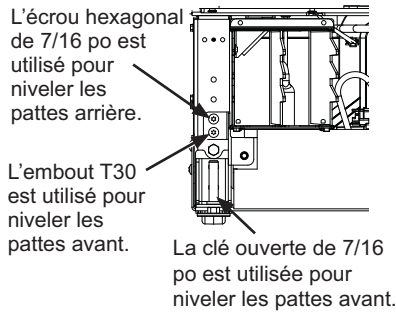
- Rangez la bande excédentaire, la corde et le tuyau d'eau sous l'appareil.

# Instructions d'installation - Installation intégrée simple

## ÉTAPE 6 MISE À NIVEAU DE L'APPAREIL

Tous les modèles sont dotés de 4 points de nivellement. Le devant est supporté par des pieds de nivellement; l'arrière, par des roulettes réglables. Les deux types sont accessibles depuis le devant de l'appareil.

- Pour niveler l'arrière de l'appareil, tournez l'écrou hexagonal 7/16 po situé au-dessus des roulettes avant. Tournez dans le sens des aiguilles pour lever l'appareil, dans le sens inverse pour le baisser.
- Pour niveler le devant, utilisez un embout T30 sur le dessus de la patte de nivellement ou une clé ouverte de 7/16 po au bas de la patte de nivellement
- Réglez la hauteur de l'appareil pour qu'elle corresponde à l'ouverture d'installation de 84 po. L'appareil doit être mis de niveau et d'équerre avec les armoires. Les roues avant doivent être à un minimum de 1/8 po (0,3 cm) du sol.



**AVIS:** Les roulettes de nivellement arrière et les pieds de nivellement avant sont limités à une hauteur de réglage maximale de 1 po. Si l'installation exige une hauteur supérieure à 84 po, l'installateur doit surélever l'appareil sur une feuille de contreplaqué ou des rails. On peut aussi ajouter une garniture d'armoire dans le haut de l'ouverture pour raccourcir celle-ci. Une tentative de lever l'appareil de plus de 1 po endommagera les pieds de nivellement avant et les roulettes de nivellement arrière.

## STEP 7 Installation des garnitures de porte

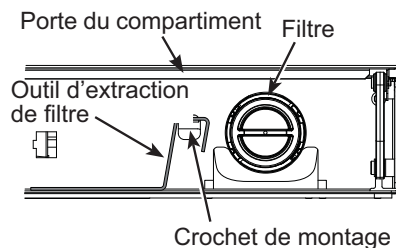
Assurez-vous que les ferrures antibasculement sont engagées avec l'arrière de l'unité.

Voir la Section Réglage des panneaux de porte et installation des garnitures pour plus de détails.

## STEP 8 PRÉPARATION FINALE DE L'EXTÉRIEUR DE L'APPAREIL

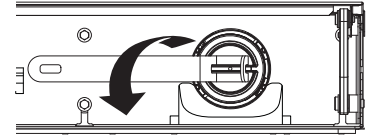
**POUR UNE INSTALLATION AFFLEURANTE :** Assurez-vous que la surface avant de la porte est ajustée avec la face avant des armoires adjacentes AVANT de fixer les armoires aux armoires adjacentes.

- Ouvrez la porte des unités. Repérez le filtre et l'outil d'extraction du filtre. Le filtre doit se placer tel qu'illustré.
- Tournez le filtre de 1/4 de tour dans le sens contraire des aiguilles (utilisez l'outil d'extraction de filtre si nécessaire).



## ÉTAPE 8 PRÉPARATION FINALE DE L'EXTÉRIEUR DE L'APPAREIL (Suite)

- Tirez le filtre vers vous pour le retirer. **NOTA :** Le système d'eau ne fonctionnera pas sans le filtre en place.
- Prépercez des trous de 1/16 po dans les deux côtés du contour sur une profondeur de 1/2 po à travers les trous dans l'enceinte.

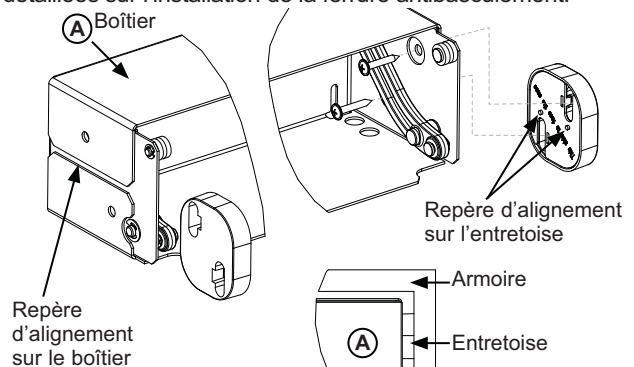


### CAUTION

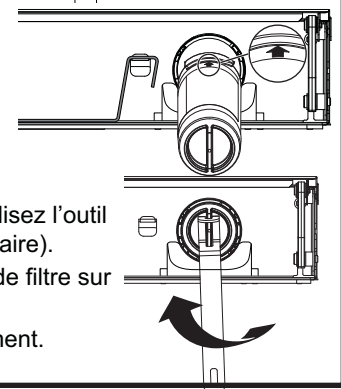
Utilisez des gants et une protection pour les bras lors de l'installation des entretoises.

- Fixez l'unité aux armoires adjacentes en utilisant les entretoises et des vis à tête cruciforme de 1 po fournies avec l'unité. Sur les modèles à une porte : commencez par fixer la poignée avant de déplacer le côté charnière. Sur les modèles à porte française, ouvrez une porte et fixez ce côté avant de déplacer l'autre côté.
- Ouvrez la porte en pleine extension et passer le bras par l'ouverture entre la porte et la carrosserie pour aligner les entretoises. Faites glisser les entretoises en place en utilisant les repères d'alignement sur l'entretoise et le côté de la (A) carrosserie jusqu'à ce que les trous de vis d'entretoise et les trous de vis de boîtier soient alignés. Enfoncez les vis à tête cruciforme à travers le boîtier dans les armoires adjacentes.

**REMARQUE:** Cette étape ne remplace PAS la quincaillerie antibasculement. Reportez-vous à l'étape 3 « Installation de la ferrure antibasculement » et à l'étape 5 « Insertion et fixation dans les armoires environnantes » pour des instructions détaillées sur l'installation de la ferrure antibasculement.



- Repérez la flèche bleue sur le filtre. Tournez le filtre pour aligner la flèche comme illustré.
- Insérez le filtre en position et tournez-le de 1/4 de tour dans le sens des aiguilles (utilisez l'outil d'extraction de filtre si nécessaire).
- Retournez l'outil d'extraction de filtre sur le crochet de montage.
- Fermez la porte du compartiment.

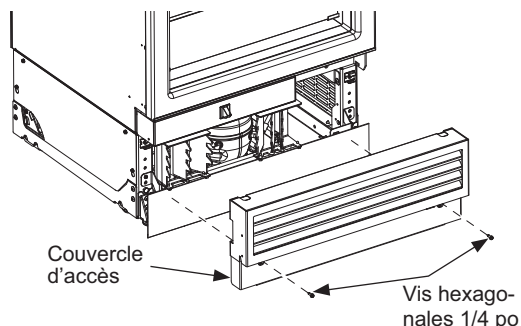




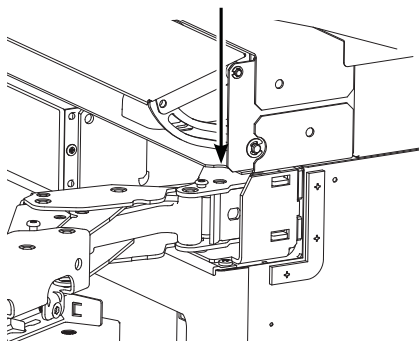
# Instructions d'installation - Installation intégrée simple

## ÉTAPE 8 PRÉPARATION FINALE DE L'EXTÉRIEUR DE L'APPAREIL (Suite)

- Remplacez le couvercle d'accès sur l'unité et fixez-le avec deux vis hexagonales 1/4 po.

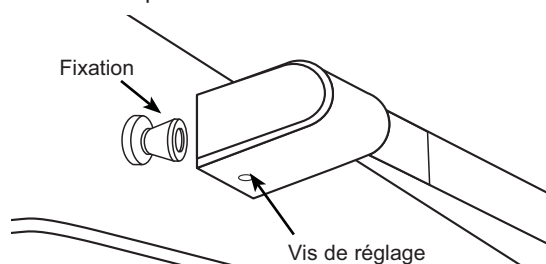


- Si l'installation nécessite une ouverture de porte de 90°, la cheville(s) de limitation de charnière doit être installée dans la charnière supérieure AVANT que l'appareil ne soit retiré de son patin d'expédition. La cheville de limitation se trouve dans la trousse de quincaillerie.  
- Ouvrez la porte pour exposer le trou dans le support de charnière arrière et installez la cheville de limitation. La cheville doit reposer à fond dans la charnière sinon la porte ne fermera pas correctement.



## ÉTAPE 9 INSTALLATION DE LA POIGNÉE

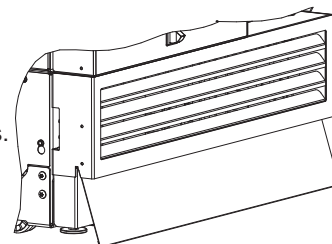
- Assurez-vous que les vis de réglage des couvercles de poignée sont desserrés. Placez la poignée sur les fixations de la porte (nous vous recommandons de placer le côté vis de la poignée vers le côté le moins visible). Prenez soin de soutenir la poignée de manière à ce qu'elle ne tombe pas et ne raye pas la finition de l'appareil. Assurez-vous que les deux couvercles de poignée reposent sur la face de la porte.



- Verrouillez une extrémité de la poignée en position en serrant la vis de réglage dans le couvercle de la poignée à l'aide de la clé hexagonale 1/8 po. Veillez à ne pas trop serrer.
- Continuez de soutenir la poignée tandis que vous verrouillez l'autre extrémité de la poignée en serrant la vis de serrage du couvercle de poignée avec la clé hexagonale 1/8 po. Veillez à ne pas trop serrer.
- Répétez ces instructions pour toutes les autres poignées.

## ÉTAPE 10 INSTALLATION DU COUP-DE-PIED

- Un coup-de-pied en acier inoxydable et un aimant sont compris dans la boîte de pièces qui était collée sur le côté de l'unité.
- Collez l'aimant à l'arrière du coup-de-pied. La surface du coup-de-pied où l'aimant est placé doit être propre et exempte de corps étrangers. Centrez l'aimant dans les sens vertical et horizontal.
- Placez le coup-de-pied sur la partie inférieure du couvercle d'accès avant.



## ÉTAPE 11 PRÉPARATION DE L'INTÉRIEUR DE L'APPAREIL

- Retirez tout le ruban, le carton et la mousse de la appareil.
- Retirez les balconnets emballés des tablettes.
- Déballiez et installez les balconnets

# Instructions d'installation - Installation intégrée simple

## ÉTAPE 12 DÉMARRAGE DE LA MACHINE À GLAÇONS

### ⚠ ATTENTION

Afin de réduire le risque de blessure, évitez tout contact avec les pièces mobiles du mécanisme d'éjection ou l'élément chauffant qui libère les cubes. Ne placez pas les doigts ou les mains sur le mécanisme de production de glace automatique lorsque l'électroménager est branché dans la prise électrique.

**Un congélateur nouvellement installé peut mettre de 12 à 24 heures pour commencer à produire de la glace.**

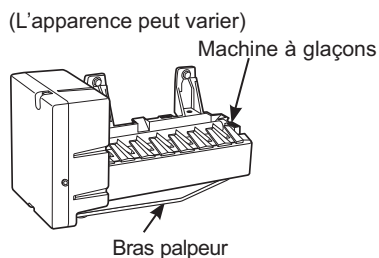
La machine à glaçons produira sept glaçons par cycle, environ 15 cycles sur une période de 24 heures selon la température du compartiment congélateur, la température de la pièce, le nombre d'ouvertures de porte et d'autres conditions d'utilisation.

Si le congélateur est utilisé avant le raccordement de l'alimentation d'eau à la machine à glaçons, éteignez la machine à glaçons en maintenant Zone Select enfoncé jusqu'à ce que le message « Ice Off » s'affiche.

Une fois l'eau raccordée, allumez la machine à glaçons en maintenant Zone Select enfoncé jusqu'à ce que le message « Ice On » apparaisse.

Jetez les premiers remplissages de bac de glaçons pour permettre le nettoyage de la conduite d'eau.

Assurez-vous que rien ne gêne le mouvement du bras palpeur.



Lorsque le bac se remplit au niveau du bras palpeur, la machine à glaçons cesse de produire de la glace.

Il est normal que plusieurs glaçons s'agglutinent.

L'aspect, le goût et la taille des vieux glaçons seront altérés si ceux-ci ne sont pas consommés fréquemment.

**REMARQUE :** La machine à glaçons fonctionne mieux à une pression d'eau domestique entre 40 et 120 PSI (275 à 827 kPa).

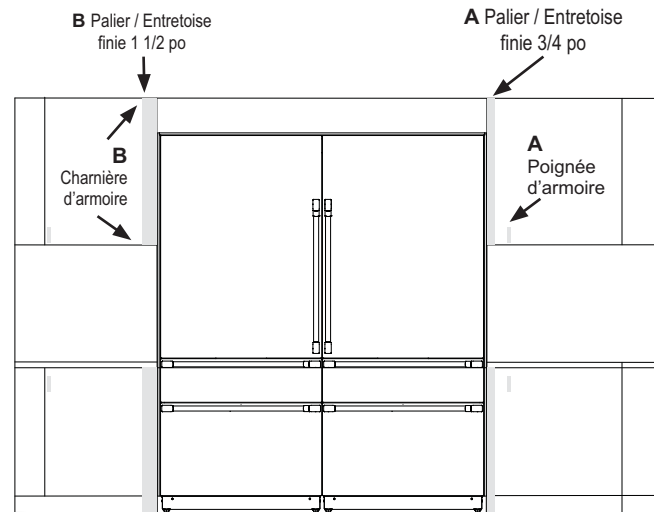
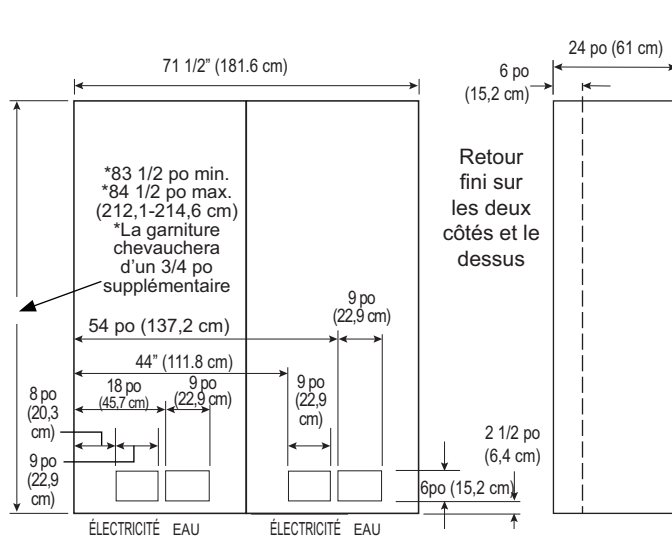


**Instructions pour une installation standard double**  
Installation pour construction existante avec ouvertures de 24 po de  
profondeur, et une largeur 71 1/2 po.

# Guide de conception – Installation standard double

## DIMENSIONS D'UNE INSTALLATION STANDARD DOUBLE

Les dimensions entre parenthèses sont en centimètres.



### Pour ouvertures de 24 po de profondeur

Un trousse de garniture (ZKW72V) est nécessaire pour les installations standard.

### Position des tuyaux d'eau et du câblage électrique

L'emplacement électrique recommandé est illustré dans le schéma. Si l'emplacement électrique est plus haut que celui illustré, utilisez un cordon électrique plus long que celui fourni dans la trousse de garniture (ZKW72V). Suivez les instructions à l'étape 6 pour changer le cordon d'alimentation.

L'alimentation en eau doit être à l'emplacement illustré.

Une trousse d'union d'éléments chauffants ZKMV est requise.

### Dégagements du produit

Ces appareils sont dotés d'une butée de porte à 2 positions. L'ouverture de porte de 115° réglée à l'usine peut s'ajuster à 90° si le dégagement aux armoires ou aux murs adjacents est restreint.

Reportez-vous à Dim A de la page 3 pour connaître les dégagements requis pour l'ouverture de la porte.

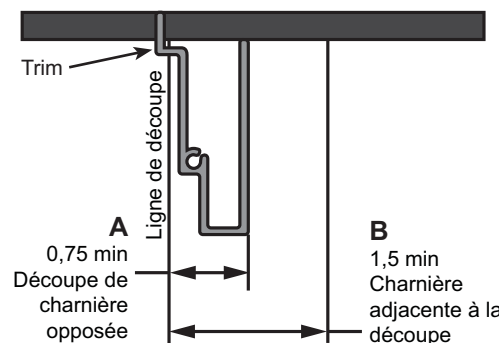
### Spécifications supplémentaires

- Une alimentation électrique distincte de 115 volts, 60Hz, 15 ou 20 ampères, est recommandée pour chaque produit. Un circuit de dérivation ou un disjoncteur distincts correctement mis à la terre sont recommandés. Installez une prise électrique à trois alvéoles correctement mise à la terre encadrée dans le mur arrière. Le câblage électrique doit se situer sur le mur arrière comme illustré.
- Le tuyau d'eau doit se situer sur le mur arrière comme illustré. Le tuyau d'eau doit être en cuivre d'un diamètre extérieur de 1/4 po ou un tuyau de la trousse QuickConnect™ (WX08X10006) qu'il faut installer entre la conduite d'eau froide et le raccord d'alimentation d'eau, d'une longueur suffisante pour atteindre le devant de l'appareil (8 pi [2,4 m]). L'installation d'un robinet de

sectionnement aisément accessible est requise.

### Dimensions d'espace minimum avec les garnitures installées.

- Un jeu de 3/4 po est requis pour le bord de porte ou du tiroir de caisson adjacent avec la charnière opposée à la découpe.
- Un jeu de 1 1/2 po est requis pour le bord de porte ou du tiroir de caisson adjacent avec la charnière opposée à la découpe.



- A. Dégagement facultatif Poignée d'armoire à côté de la garniture. Dégagement minimum de 3/4 po (correspondant à la finition de l'armoire) nécessaire à partir de l'ouverture de découpe pour la garniture standard
- B. Dégagement facultatif Charnière d'armoire à côté de la garniture. Dégagement minimum de 1 1/2 po (correspondant à la finition de l'armoire) nécessaire à partir de l'ouverture de découpe pour la garniture standard afin de dégager les charnières de porte d'armoire.

# Instructions d'installation - Installation standard double

## EMPLACEMENT DU RÉFRIGÉRATEUR/ CONGÉLATEUR

- N'installez pas le réfrigérateur/congélateur à un endroit où la température est susceptible de descendre en dessous de 55 °F (13 °C). L'appareil ne fonctionnera pas suffisamment souvent pour maintenir les températures appropriées.
- N'installez pas le réfrigérateur/congélateur à un endroit où la température dépassera 100 °F (37 °C). L'appareil ne fonctionnera pas correctement.
- N'installez pas le réfrigérateur/congélateur dans un endroit exposé à l'eau (pluie, etc.) ou aux rayons directs du soleil.
- Installez l'appareil sur un plancher suffisamment robuste pour supporter son poids à pleine capacité.

## OUTILS ET MATÉRIEL REQUIS

- Cisaille à tôle (recommandé)
- Tournevis cruciformes nos 1 et 2
- Tournevis à lame plate
- Couteau à mastic (recommandé)
- Ruban à mesurer
- Perceuse et forets 1/16, 5/64, 3/16 po
- Foret à béton 5/32 po (si antibasculement posé sur béton)
- Visseuse/douille 1/4, 3/8, 1/2, 7/16 po
- Clé ouverte 7/16 po
- Visseuse/embout T10, T20, T30
- Visseuse hexagonale 1/8, 1/4 po (clé Allen)
- Niveau
- Robinet de sectionnement d'eau (facultatif mais recommandé)
- Conduite d'eau 8 pi (une par appareil raccordé à l'eau)
- Ruban-cache
- Alcool à friction
- Clé réglable 10 po
- Poinçon
- Trousse d'union d'éléments chauffants (ZKMV) (pour installation double seulement)
- Trousses de poignée (le cas échéant)
- Petite clé à cliquet 1/4 ou 3/8 po
- Trousse de garniture standard (ZKW72V)
- Coup-de-pied en acier inoxydable (le cas échéant)
- Tournevis à angle droit ou rallonge de mèche d'une longueur de 8 po minimum, 1/4 po de diamètre

## QUINCAILLERIE FOURNIE (par appareil)

- Ferrure antibasculement (2 pour)
- Tirefonds
- Vis Tapcon
- Vis hexagonales 1/4 po
- Trousse de quincaillerie de porte

## MISE À LA TERRE DE L'APPAREIL

### ⚠ AVERTISSEMENT Risque d'électrocution

Le non-respect de ces instructions peut occasionner un décès, un incendie ou un choc électrique

Le cordon d'alimentation de cet appareil est muni d'une fiche à 3 broches (mise à la terre) qui se branche dans une prise murale ordinaire à 3 alvéoles (mise à la terre) pour réduire au minimum les risques de chocs électriques.

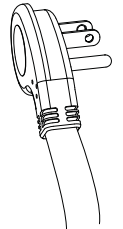
Faites examiner la prise de courant et le circuit par un électricien qualifié pour vous assurer que la prise est correctement mise à la terre.

Dans le cas d'une prise biphasée (2 alvéoles), l'installateur a la responsabilité et l'obligation de la remplacer par une prise triphasée correctement mise à la terre.

**EN AUCUN CAS, NE COUPEZ NI NE RETIREZ LA TROISIÈME BROCHE (TERRE) DU CORDON ÉLECTRIQUE.**

**N'UTILISEZ PAS UNE FICHE D'ADAPTATION POUR BRANCHER LE RÉFRIGÉRATEUR DANS UNE PRISE À DEUX BORNES.**

**N'UTILISEZ PAS UN CORDON DE RALLONGE AVEC CET APPAREIL.**



## PLANCHER

Une installation correcte exige que ce produit soit placé sur la surface de niveau d'un matériau solide de la même hauteur que le reste du plancher. Cette surface doit être suffisamment robuste pour supporter un réfrigérateur ou un congélateur totalement rempli, ou environ 1 200 lb (545 kg) par appareil.

**REMARQUE :** Protégez le fini du plancher.

**REMARQUE :** Non recommandé pour une installation sur moquette.

# Instrucciones de Instalación - Installation standard double

## PIÈCES FOURNIES AVEC LA TROUSSE ZKMV :

Élément chauffant adhésif  
Transformateur  
Meneau avant  
Support de garniture  
Support d'union supérieur  
Support d'union avant inférieur  
Support d'union arrière inférieur  
Vis 8-18 de 3 1/4 po de long à tête hexagonale 5/8 po  
Vis 8-32 de 5 1/4 po de long à tête hexagonale 5/8 po  
Vis 1/4-20 de 5 3/8 po de long à tête hexagonale 1/2 po  
4 attaches de fil

## ÉTAPE 1 RETRAIT DE L'EMBALLAGE

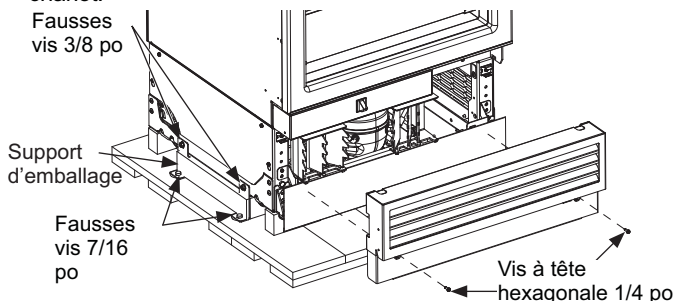
### ⚠ AVERTISSEMENT



### Risque de

**basculement.** Cet électroménager est lourd du haut. Usez d'extrême prudence en le déplaçant afin de prévenir un basculement susceptible d'occasionner des blessures graves ou la mort.

- Retirez la boîte extérieure et autres parties de l'emballage extérieur des appareils.
- Il y a une boîte de pièces collée à l'extérieur du réfrigérateur. Cette boîte comprend un coup-de-pied pour des installations intégrées simples et des pièces de porte qui seront installées une fois les ajustements de panneau de porte effectués. Conservez ces pièces.
- Vérifiez l'absence de dommages.
- Assurez-vous que le plancher sur lequel reposeront les appareils est propre et exempt de débris pouvant s'agglutiner ou coincer l'avant des roulettes et endommager le plancher. Il est aussi recommandé que le plancher soit protégé par un recouvrement plastique pendant la durée de l'installation.
- Retirez les poignées de l'intérieur du compartiment réfrigérateur.
- Retirez les trousse de quincaillerie qui se trouvent à l'intérieur de l'appareil.
- Enlevez le couvercle d'accès frontal de l'appareil en retirant deux vis à tête hexagonale 1/4 po. Mettez le couvercle et les vis de côté pour l'installation à venir.
- Retirez deux fausses vis 3/8 po et deux fausses vis 7/16 po de chaque côté de l'appareil afin de le libérer du patin de manutention. Inclinez l'appareil depuis un côté suffisamment pour retirer le matériel d'emballage qui se trouve en dessous, mais au-dessus du patin de manutention (deux côtés).
- AVEC PRÉCAUTION, roulez l'appareil pour le dégager du côté arrière du patin de manutention.
- Manipulez l'appareil depuis le côté seulement à l'aide d'un chariot.



## ÉTAPE 2 INSTALLEZ LA CONDUITE D'EAU

### ⚠ AVERTISSEMENT

Raccordez l'appareil à une alimentation d'eau potable seulement. Une alimentation d'eau froide est requise pour faire fonctionner la machine à glaçons et le pichet à remplissage automatique. La pression d'eau doit se situer entre 40 et 120 psi. (275 à 827 kPa).

### ⚠ AVERTISSEMENT



### RISQUE DE DÉCHARGE ÉLECTRIQUE

Fixez le collier de serrage dans le trou présent seulement. NE PERCEZ PAS dans le réfrigérateur.

Fermez l'alimentation d'eau principale.

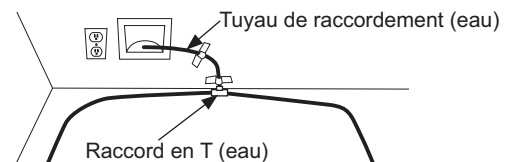
Ouvrez le robinet le plus près suffisamment longtemps pour nettoyer la conduite d'eau.

- Il est recommandé d'installer un robinet d'arrêt entre le robinet d'eau et le tuyau d'eau froide dans un sous-sol ou une armoire adjacente. **Le robinet de sectionnement doit être situé à un endroit aisément accessible.**
- Ouvrez l'alimentation d'eau principale et rincez les débris. Faites couler environ un litre d'eau à travers le tuyau aboutissant dans un seau. Coupez l'alimentation d'eau au robinet de sectionnement.

**REMARQUE :** Des robinets d'arrêt à étrier ne sont pas recommandés bien qu'ils soient inclus dans plusieurs trousse d'alimentation d'eau. Avant d'acheter, assurez-vous qu'un robinet de sectionnement à étrier satisfait les codes de plomberie de votre région.

**REMARQUE :** Les codes de plomberie 248CMR du Commonwealth du Massachusetts doivent être satisfaits. Les robinets à étrier sont illégaux et leur utilisation prohibée dans le Massachusetts. Consultez votre plombier agréé.

- Raccordez le tuyau de raccordement de la trousse d'installation standard ZKW72V à la conduite d'eau froide du domicile. Serrez l'écrou à compression à la main, puis serrez d'un tour supplémentaire avec une clé. Un serrage excessif peut causer des fuites!
- Raccordez l'autre extrémité du tuyau de raccordement au raccord en T fourni dans la trousse d'installation standard ZKW72V. Serrez l'écrou à compression à la main, puis serrez d'un tour supplémentaire avec une clé. Un serrage excessif peut causer des fuites!



- Achetez le tuyau de cuivre 1/4 po (D.E.) ou le tuyau plastique SmartConnect™ (WX08X10006) entre le raccord en T et le raccord d'eau sur le devant de chaque appareil.

# Instrucciones de Instalación - Installation standard double

## ÉTAPE 2 INSTALLER LA CONDUITE D'EAU (suite)

- Le tuyau doit être suffisamment long pour atteindre le devant de l'appareil. Prévoyez une longueur de tuyau suffisante pour la courbe menant au raccord de la conduite d'eau.

**REMARQUE :** Les seuls tuyaux en plastique approuvés par Café sont ceux inclus dans les trousse de tuyaux pour réfrigérateur SmartConnect™. N'utilisez pas d'autres tuyaux d'alimentation d'eau en plastique car ils seront sous pression constamment. D'autres types de plastique peuvent se fissurer ou se rompre avec le temps et occasionner des dégâts d'eau dans votre domicile..

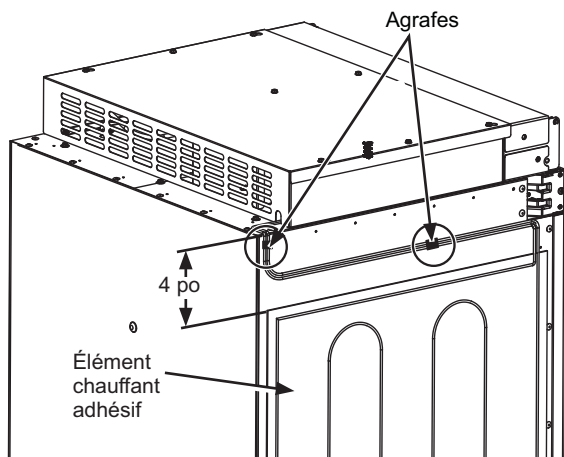
- Avec du ruban adhésif, fixez le tuyau de raccordement et le raccord en T sur le mur arrière. Les tuyaux d'eau seront fixés au plancher avec du ruban-cache après la pose de la ferrure antibasculement.

## ÉTAPE 3 PRÉPARATION DE L'APPAREIL POUR L'INSTALLATION - INSTALLATION DOUBLE

- Déballer la trousse d'union d'éléments chauffants (ZKMV) et assurez-vous que toutes les pièces de la liste sont incluses.

**REMARQUE :** Assurez-vous que le cordon de connexion de l'élément chauffant est orienté vers le haut de l'unité une fois installé.

- Placez l'appareil de droite devant l'ouverture à l'endroit où vous prévoyez l'installer.
- Installez l'élément chauffant adhésif sur l'extérieur de l'unité du côté gauche de la carrosserie. Installez l'élément chauffant à 4 po en dessous du dessus de la carrosserie. L'élément chauffant doit être centré d'avant en arrière sur la face arrière de la carrosserie métallique.
- Utilisez les agrafes pour attacher le cordon excédentaire solidement sur le côté de la carrosserie comme illustré. Nettoyez le côté avec de l'alcool à friction pour assurer une bonne adhérence des agrafes.



**REMARQUE :** L'installation de l'élément chauffant est possible seulement à la gauche des modèles compatibles.

## ÉTAPE 3 PRÉPARATION DE L'APPAREIL POUR L'INSTALLATION - INSTALLATION DOUBLE

### ⚠ AVERTISSEMENT ⚡ Risque

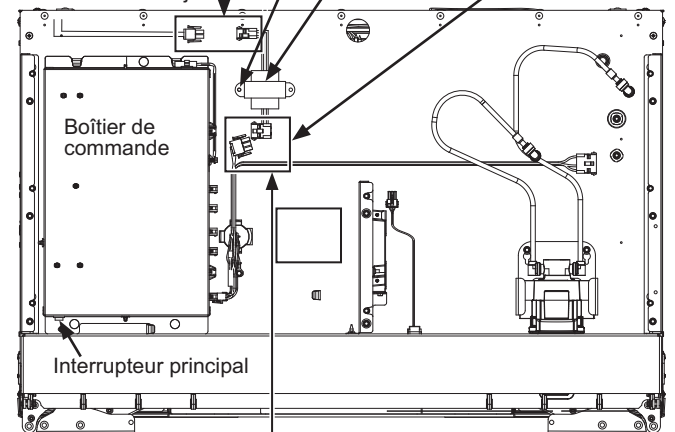
**d'électrocution.** Pour prévenir le risque d'électrocution, assurez-vous que le cordon électrique n'est pas branché dans la prise murale.

- Installez le transformateur dans l'assemblage supérieur de la carrosserie :
  1. Enlevez le dessus du couvercle en retirant huit vis hexagonales no 8 et conservez-les pour réassembler le dessus de couvercle.
  2. Placez le transformateur fourni avec la trousse ZKMV sur le dessus de la carrosserie. Fixez le transformateur à l'aide d'une vis hexagonale (1/4 po) sur le dessus de la carrosserie dans le trou existant du côté arrière droit du boîtier de commande supérieur.
  3. Branchez le connecteur du transformateur à 2 broches sur le connecteur de l'élément chauffant, et le connecteur à 3 broches sur le panneau de commande, en vous assurant que les languettes de verrouillage sont bien insérées.
  4. **REMARQUE :** Vérifiez que l'interrupteur principal est ouvert (ON).
  5. Montez le dessus de couvercle avec les vis conservées à l'étape précédente.

Branchez le connecteur à 2 positions de l'élément chauffant au connecteur à 2 positions du transformateur avec les fils bleu et jaune

Trou de vis pour le transformateur.

Retirer le boîtier de connecteur vide avant de brancher le transformateur.



Branchez le connecteur à 3 positions du transformateur avec les fils noir et blanc sur le connecteur à 3 positions du faisceau avec les fils brun et orange

L'assemblage de l'enceinte ci-dessus est illustré avec le couvercle retiré.

# Instrucciones de Instalación - Installation standard double

## ÉTAPE 4 INSTALLATION DE LA FERRURE ANTIBASCULEMENT

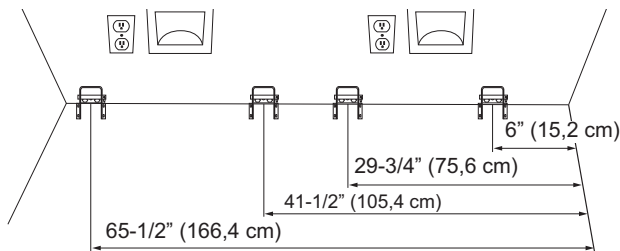
### ⚠ AVERTISSEMENT



### Risque de

**basculement.** Ces électroménagers sont lourds du haut, notamment lorsqu'une porte est ouverte, de sorte qu'ils doivent être fixés pour prévenir un basculement vers l'avant susceptible d'occasionner des blessures graves ou la mort. Lisez et observez la totalité des instructions d'installation pour connaître la façon de fixer l'électroménager sur le dispositif antibasculement.

- Retirez la ferrure antibasculement de la trousse de quincaillerie.
- Fixez les ferrures antibasculement sur le plancher de façon que l'arrière des ferrures se trouve à 22 5/8 po (57,5 cm) de l'avant de l'enceinte (la visserie des ferrures est fournie pour le montage dans le bois ou le béton).
- Mesurez et marquez à partir du côté droit de l'ouverture selon les dimensions indiquées.



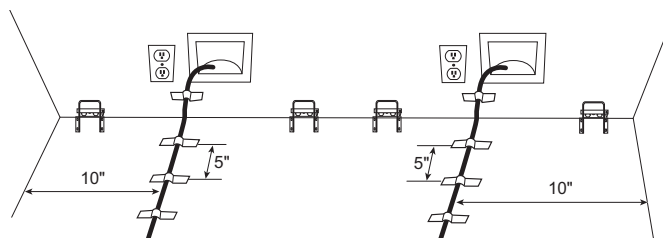
- Posez la ferrure antibasculement en la centrant par rapport aux marques et à égalité du plancher, comme illustré. Marquez 3 trous pour le montage sur mur et 4 trous pour le montage sur plancher.

**MONTAGE SUR BOIS:** Percez un avant-trou de 2 po de profondeur avec un foret 3/16 po, puis installez les tirefonds fournis à l'aide d'une visseuse 3/8 po.

**MONTAGE SUR BÉTON:** Percez un avant-trou de 2 po de profondeur avec un foret 5/32 po, puis installez les vis Tapcon fournies à l'aide d'une visseuse 5/16 po.

**REMARQUE:** Pour les substrats non mentionnés ci-dessus, contactez un entrepreneur agréé pour déterminer le matériel approprié.

- La ferrure doit être vissée dans le **PLANCHER** ou le **MUR ARRIÈRE**.
- Fixez le tuyau d'eau avec du ruban sur le mur et le plancher, comme illustré ci-dessous. Le tuyau d'eau doit se trouver à 10 po (25,4 cm) du mur adjacent. Appliquez du ruban tous les 5 pouces (12,7 cm) à devant l'appareil. Ceci permettra de garder la conduite d'eau éloignée des supports antibasculements et éviter que l'appareil ne roule sur la conduite d'eau pendant l'installation. N'appliquez pas de ruban près de la face de l'armoire pour que le ruban puisse rester camoufler sous l'appareil.

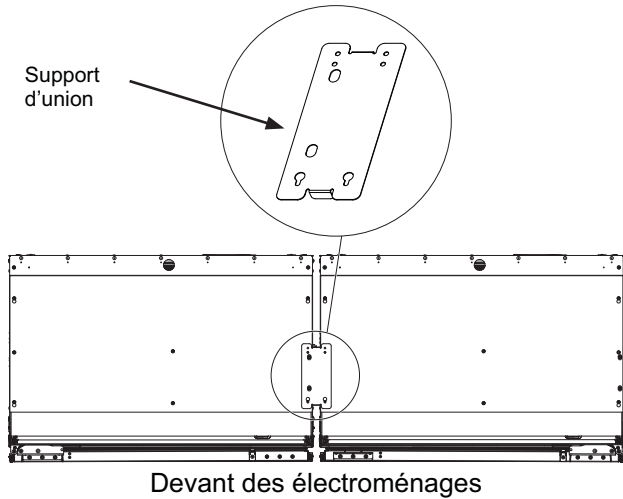


# Instrucciones de Instalación - Installation standard double

## ÉTAPE 5 ACCOUPLEMENT DES APPAREILS INSTALLÉS

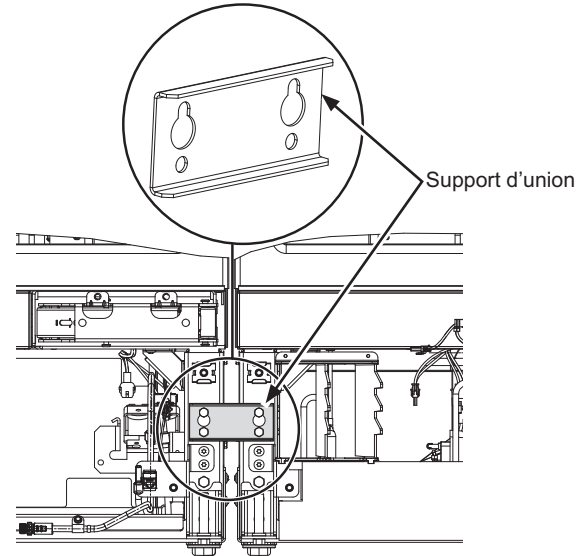
### UNION DE LA PARTIE SUPÉRIEURE

- Desserrez les deux vis du milieu, retirez les deux vis arrière.
- Montez le support sur les deux vis du milieu et réinstallez les vis arrière.
- Serrez les vis pour réunir les unités.



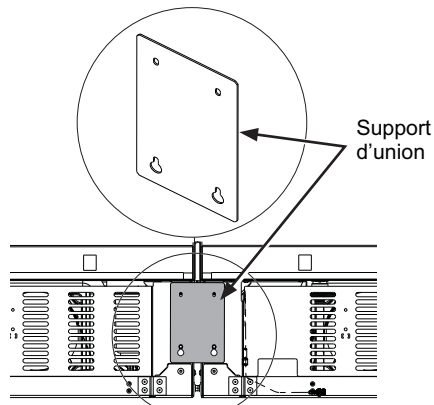
### UNION DE LA PARTIE INFÉRIEURE ARRIÈRE

- Installez le support d'union inférieur avant à l'aide d'une visseuse 3/8 po (4 vis).



### UNION DE LA PARTIE INFÉRIEURE ARRIÈRE

- Desserrez les deux vis inférieures des couvercles d'accès arrière des deux unités et retirez les vis supérieures.
- Accrochez le support d'union sur les vis inférieures et réinstallez les vis dans le haut.
- Serrez les vis pour réunir les unités.





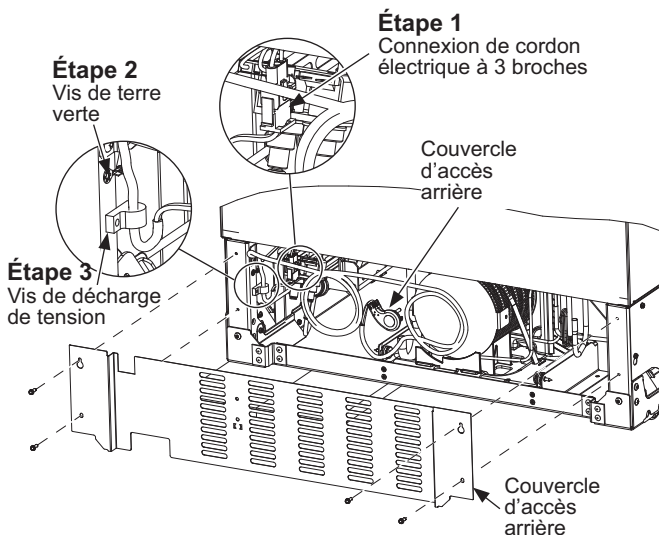
# Instrucciones de Instalación - Installation standard double

## ÉTAPE 6 REMPLACEMENT DU CORDON D'ALIMENTATION ÉLECTRIQUE

Si l'emplacement de votre prise électrique nécessite un cordon d'alimentation plus long, suivez les instructions ci-dessous pour utiliser le cordon d'alimentation plus long fourni avec la trousse d'installation standard.

**Des cordons d'alimentation électrique plus longs sont nécessaires avec la trousse d'installation standard.**

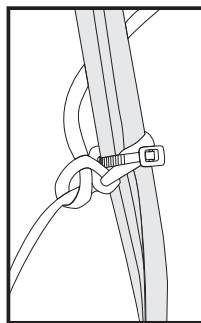
- Retirez les vis hexagonales de 0,6 cm (1/4 po) fixant le couvercle d'accès arrière.
  1. Débranchez la connexion de cordon électrique à 3 broches à l'intérieur du compartiment machine (poussez sur les côtés pour libérer les languettes de verrouillage).
  2. Retirez la vis hexagonale de terre verte (1/4 po) du cordon électrique.
  3. Retirez la vis hexagonale de décharge de tension (1/4 po).
  4. Retirez la ficelle du cordon d'alimentation court en coupant la ficelle près de l'attache de câble.



**Installez le nouveau cordon électrique long:**

1. Attachez la ficelle autour du cordon d'alimentation le plus long à 18 pouces (45,7 cm) de la bride de décharge de tension et placez l'attache de câble comme illustré.
2. Branchez le connecteur à 3 broches (assurez-vous que les languettes de verrouillage sont insérées).
3. Posez la vis de terre verte du cordon d'alimentation.
4. Posez la vis de décharge de tension.

**Remarque:** Ne serrez pas excessivement l'attache de câble. Un serrage excessif pourrait endommager le cordon d'alimentation.



## ÉTAPE 6 REMPLACEMENT DU CORDON D'ALIMENTATION ÉLECTRIQUE (suite)

### ⚠ AVERTISSEMENT Risque

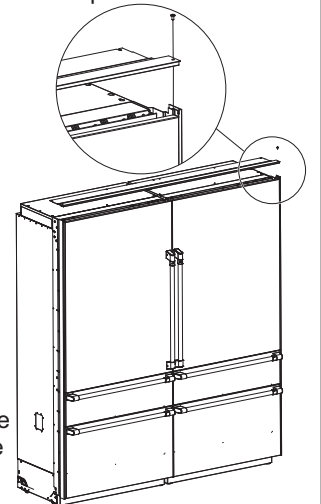
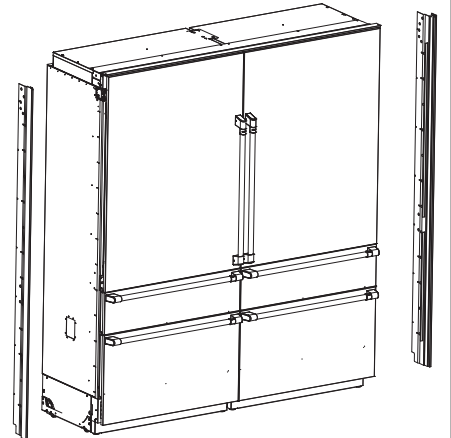
**d'électrocution.** L'omission d'observer ces instructions peut occasionner des blessures graves ou mortelles.

- L'entretien et la réparation du produit doivent être effectués par un technicien qualifié seulement.
- Débranchez l'alimentation électrique avant d'entretenir ou de réparer ce produit.
- Rebranchez tous les dispositifs de mise à la terre après l'entretien ou la réparation.
- Remettez en place toutes les pièces et tous les panneaux avant l'utilisation

- Remplacez le couvercle d'accès arrière. Assurez-vous que le cordon électrique et le fil de terre sont correctement acheminés à travers l'orifice du couvercle d'accès.

## ÉTAPE 7 INSTALLATION DE LA GARNITURE DE CARROSSERIE

- Installez les rails latéraux de la trousse de garniture sur les parois exposées gauche et droite du caisson avec les vis à tête cruciforme no 8 fournies – 8 vis par côté.
- Desserrez les vis à tête hexagonale du couvercle supérieur de manière que les fentes de la garniture supérieure puissent glisser entre les vis à tête hexagonale et le couvercle supérieur.
- Assemblez la garniture supérieure et les rails latéraux en faisant glisser les bords exposés de la garniture de coin dans les rails latéraux de la trousse de garniture droite et gauche. Alignez et insérez les deux vis à tête cruciforme numéro 8-32 dans les trous de vis des rails latéraux pour vous assurer que la garniture supérieure s'adapte parfaitement aux rails latéraux.
- Serrez les vis à tête hexagonale du couvercle supérieur de sorte que la garniture supérieure soit fixée à la carrosserie.

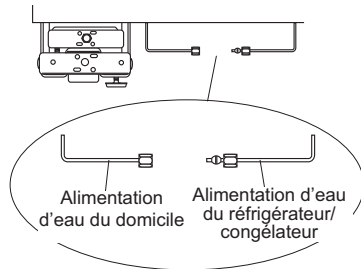


# Instrucciones de Instalación - Installation standard double

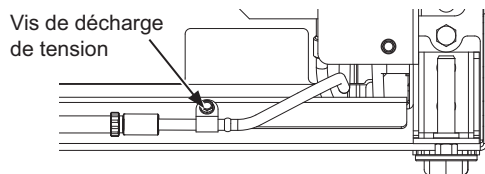
## ÉTAPE 8 RACCORDEMENT DE L'ALIMENTATION D'EAU

**⚠ AVERTISSEMENT** Raccordez l'appareil à une alimentation d'eau potable seulement. Une alimentation d'eau froide est requise pour faire fonctionner la machine à glaçons et le pichet à remplissage automatique. La pression d'eau doit se situer entre 40 et 120 psi. (275 à 827 kPa).

**⚠ AVERTISSEMENT**  **RISQUE DE DÉCHARGE ÉLECTRIQUE**  
Fixez le collier de serrage dans le trou présent seulement. NE PERCEZ PAS dans le réfrigérateur.



- Repérez et acheminez le tuyau à l'avant de l'armoire.
- Ouvrez l'alimentation d'eau pour rincer les débris de la conduite. Faites couler environ un litre d'eau à travers le tuyau aboutissant dans un seau, puis fermez l'alimentation d'eau.
- Retirez la vis de décharge de tension pour laisser suffisamment de jeu pour le raccordement d'eau. (La vis doit être reposée à l'étape suivante.)



### Tuyau de cuivre :

- Enfiler un écrou 1/4 po et une bague d'extrémité aux deux bouts du tuyau de cuivre. Insérez le tuyau dans le raccord union sur l'appareil et serrez l'écrou sur le raccord union.
- Ouvrez l'alimentation d'eau pour vérifier l'absence de fuites.

### Tuyau SmartConnect™ :

**REMARQUE :** Les seuls tuyaux en plastique approuvés par Café sont ceux inclus dans les trousse de tuyaux pour réfrigérateur SmartConnect™. N'utilisez pas d'autres tuyaux d'alimentation d'eau en plastique car ils seront sous pression constamment. D'autres types de plastique peuvent se fissurer ou se rompre avec le temps et occasionner des dégâts d'eau dans votre domicile.

- Insérez l'extrémité moulée du tube dans le raccord du réfrigérateur ou du congélateur. Serrez l'écrou à compression à la main.
- Suivez les instructions fournies avec la tuyauterie. Un serrage excessif peut causer des fuites!
- Ouvrez l'alimentation d'eau pour vérifier l'absence de fuites.

# Instrucciones de Instalación - Installation standard double

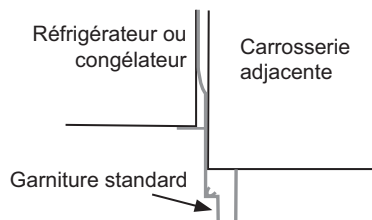
## ÉTAPE 9 PLACEMENT ET FIXATION DANS L'ENCADREMENT

- Branchez les deux appareils dans la prise murale.

### ⚠ AVERTISSEMENT Risque

**d'électrocution.** Afin de réduire le risque d'électrocution, usez de prudence lors des étapes d'installation suivantes afin de ne pas toucher au câblage ou composants électriques à l'intérieur du compartiment du compresseur une fois que l'électroménager est branché sans le couvercle d'accès refermé.

- Trouvez la corde d'installation fixé à l'avant de l'appareil; elle sert lorsque vous poussez l'appareil dans l'ouverture. Cette corde est attachée au cordon électrique; à mesure que vous poussez l'appareil dans l'ouverture, vous devez tirer fermement pour vous assurer que le cordon d'alimentation est acheminé sous l'appareil.
- Reliez la garniture supérieure et les profilés latéraux en glissant les bords exposés de la garniture d'angle dans les profilés latéraux gauche et droit de la trousse de garniture. L'arrière des garnitures supérieure et latérales standard doit toucher la bordure de la carrosserie lorsque les appareils sont repoussés.



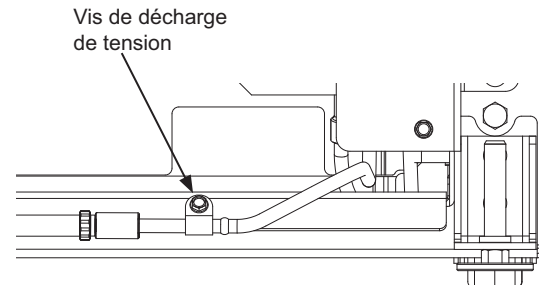
### ⚠ AVERTISSEMENT Risque de

**basculement.** Ces électroménagers sont lourds du haut, notamment lorsqu'une porte est ouverte, de sorte qu'ils doivent être fixés pour prévenir un basculement vers l'avant susceptible d'occasionner des blessures graves ou la mort.

- Placez le cordon électrique sur son bord et tirez-le au-dessous de l'appareil entre les roulettes et à l'écart des ferrures antibasculement afin que le cordon ne soit pas endommagé pendant l'installation.
- À mesure que vous poussez l'appareil dans l'ouverture, vous devez tirer la corde fermement pour vous assurer que le cordon électrique passe sous l'appareil.



- Reposez la vis de décharge de tension du tuyau d'eau.



- Rangez la bande excédentaire, la corde et le tuyau d'eau sous l'appareil.

### ⚠ AVERTISSEMENT Risque d'électrocution.

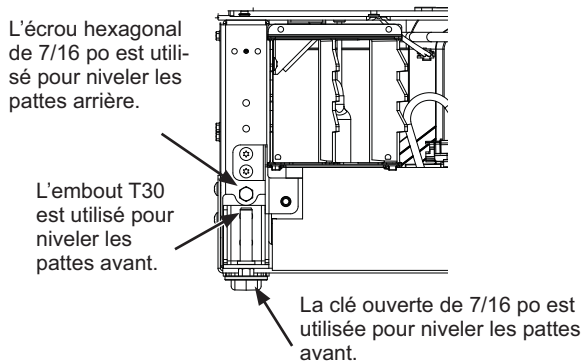
Reposez la vis de décharge de tension dans le profilé avant comme illustré.

# Instrucciones de Instalación - Installation standard double

## ÉTAPE 10 MISE À NIVEAU DE L'APPAREIL

Tous les modèles sont dotés de 4 points de nivellement. Le devant est supporté par des pieds de nivellement; l'arrière, par des roulettes réglables. Les deux types sont accessibles depuis le devant de l'appareil.

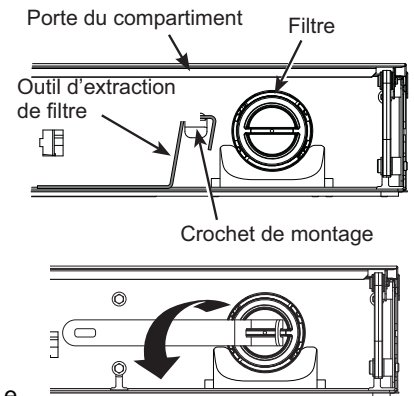
- Pour niveler l'arrière de l'appareil, tournez l'écrou hexagonal 7/16 po situé au-dessus des roulettes avant. Tournez dans le sens des aiguilles pour lever l'appareil, dans le sens inverse pour le baisser.
- Pour niveler le devant, utilisez un embout T30 sur le dessus de la patte de nivellement ou une clé ouverte de 7/16 po au bas de la patte de nivellement.
- Réglez la hauteur de l'appareil pour qu'elle corresponde à l'ouverture d'installation de 84 po. L'appareil doit être mis de niveau et d'équerre avec les armoires. Les roues avant doivent être à un minimum de 1/8 po (0,3 cm) du sol.



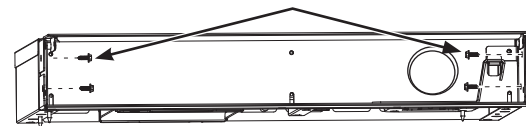
**AVIS :** Les roulettes de nivellement arrière et les pieds de nivellement avant sont limités à une hauteur de réglage maximale de 1 po. Si l'installation exige une hauteur supérieure à 84 po, l'installateur doit surélever l'appareil sur une feuille de contreplaqué ou des rails. On peut aussi ajouter une garniture d'armoire dans le haut de l'ouverture pour raccourcir celle-ci. Une tentative de lever l'appareil de plus de 1 po endommagera les pieds de nivellement avant et les roulettes de nivellement arrière.

## ÉTAPE 11 PRÉPARATION FINALE DE L'EXTÉRIEUR DE L'APPAREIL

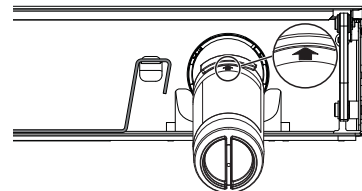
- Ouvrez le couvercle frontal de l'enceinte à 90°. Repérez le filtre et l'outil d'extraction du filtre. Le filtre doit se placer tel qu'illustré.
- Tournez le filtre de 1/4 de tour dans le sens contraire des aiguilles (utilisez l'outil d'extraction de filtre si nécessaire).
- Tirez le filtre vers vous pour le retirer. **NOTA :** Le système d'eau ne fonctionnera pas sans le filtre en place.
- Prépercez des trous de 1/16 po dans les deux côtés du contour sur une profondeur de 1/2 po à travers les trous dans l'enceinte.
- Fixez l'unité en vissant quatre vis hexagonales 1/4 po dans les deux côtés des armoires environnantes. Utilisez un outil à 90 degrés ou une rallonge alternative. **REMARQUE:** Cette étape ne remplace PAS la quincaillerie antibasculement. Reportez-vous à l'étape 4 Installation de la ferrure antibasculement et à l'étape 7 Insertion/Fixation dans le contour d'armoires pour des instructions détaillées sur l'installation de la ferrure antibasculement. Pour les installations doubles, répétez la procédure pour le deuxième appareil.



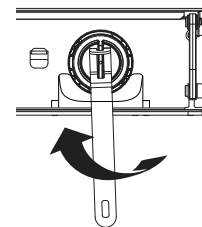
Vis hexagonales 1/4 po



- Repérez la flèche bleue sur le filtre. Tournez le filtre pour aligner la flèche comme illustré.



- Insérez le filtre en position et tournez-le de 1/4 de tour dans le sens des aiguilles (utilisez l'outil d'extraction de filtre si nécessaire).

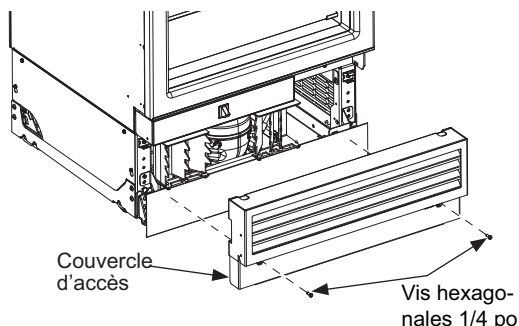


- Retournez l'outil d'extraction de filtre sur le crochet de montage.
- Fermez la porte du compartiment.

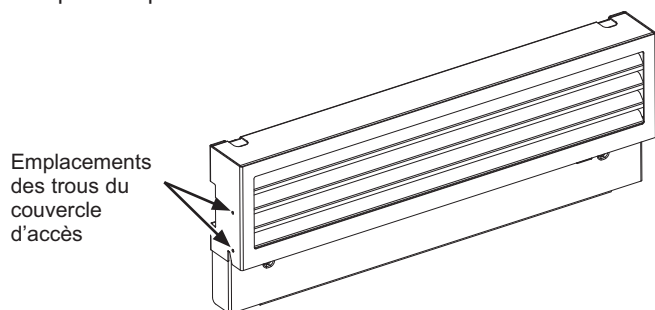
# Instrucciones de Instalación - Installation standard double

## ÉTAPE 11 PRÉPARATION FINALE DE L'EXTÉRIEUR DE L'APPAREIL (Suite)

- Remplacez le couvercle d'accès sur l'unité et fixez-le avec deux vis hexagonales 1/4 po.

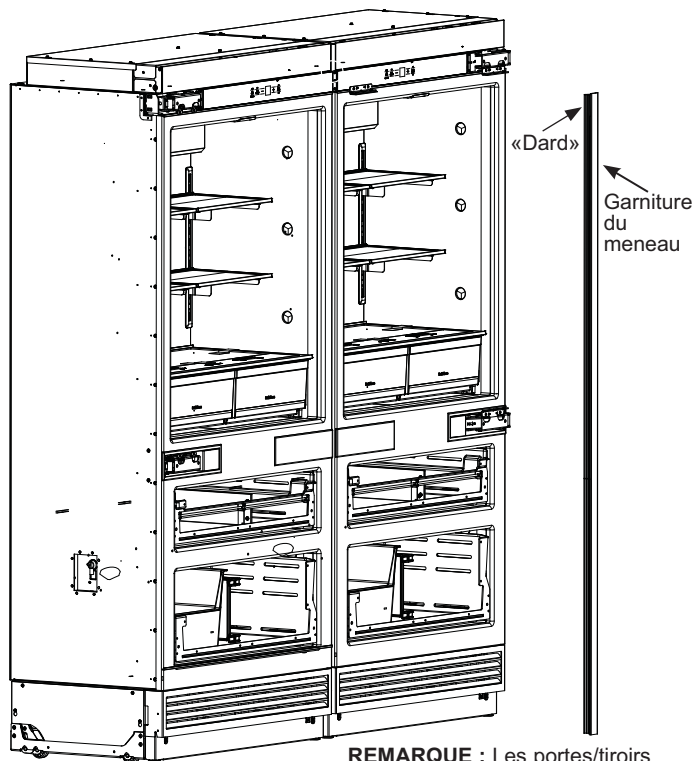


- Sur le côté du couvercle d'accès qui fera face au milieu de l'installation, insérez deux vis à tête hexagonale de 1/4 po. Ces vis améliorent la fixation de la garniture de meneau. Répétez l'opération sur le deuxième couvercle d'accès.



### Installation de la garniture de meneau

- Ouvrez toutes les portes et tous les tiroirs.
- Alignez le haut de la garniture de meneau avec le haut des panneaux de commande.
- Installez la garniture de meneau entre les deux unités en poussant la « fléchette » dans la zone entre les unités.
- Assurez-vous que la garniture est complètement rentrée contre la carrosserie. Ajustez si nécessaire.



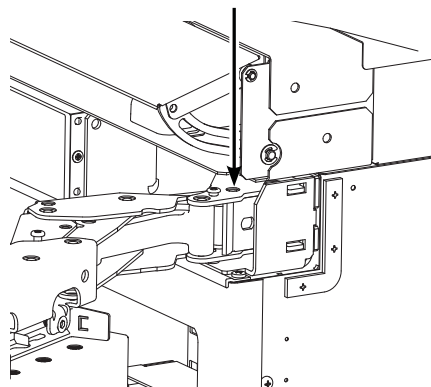
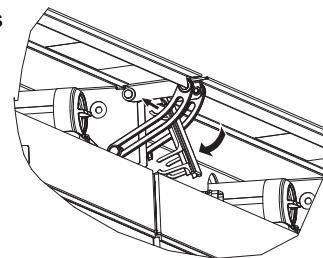
REMARQUE : Les portes/tiroirs non illustrés par souci de clarté.

- Ouvrez les deux portes d'accès au filtre à eau à 90°.

- Encliquetez la garniture sur les charnières assemblées des deux enceintes.

- Si l'installation doit permettre l'ouverture d'une porte à 90°, une cheville de limitation de charnière doit être installée sur la charnière supérieure.

- Ouvrez la porte pour exposer le trou dans le support de charnière arrière et installez la cheville de limitation. La cheville doit reposer à fond dans la charnière sinon la porte ne fermera pas correctement.

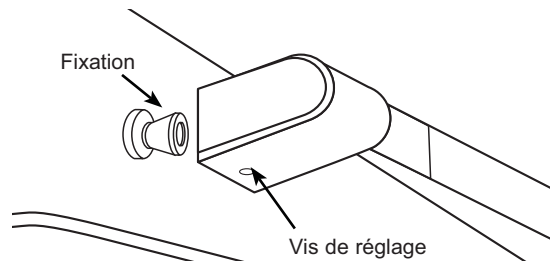




# Instrucciones de Instalación - Installation standard double

## ÉTAPE 12 INSTALLATION DE LA POIGNÉE

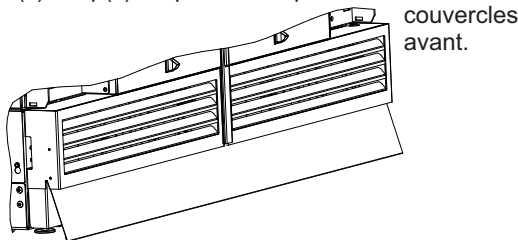
- Assurez-vous que les vis de réglage des couvercles de poignée sont desserrés. Placez la poignée sur les fixations de la porte (nous vous recommandons de placer le côté vis de la poignée vers le côté le moins visible). Prenez soin de soutenir la poignée de manière à ce qu'elle ne tombe pas et ne raye pas la finition de l'appareil. Assurez-vous que les deux couvercles de poignée reposent sur la face de la porte.



- Verrouillez une extrémité de la poignée en position en serrant la vis de réglage dans le couvercle de la poignée à l'aide de la clé hexagonale 1/8 po. Veillez à ne pas trop serrer.
- Continuez de soutenir la poignée tandis que vous verrouillez l'autre extrémité de la poignée en serrant la vis de serrage du couvercle de poignée avec la clé hexagonale 1/8 po. Veillez à ne pas trop serrer.
- Répétez ces instructions pour toutes les autres poignées.

## ÉTAPE 13 INSTALLATION DU COUP-DE-PIED

- Un coup-de-pied en acier inoxydable et un aimant sont compris dans la boîte de pièces qui était collée sur le côté de l'unité. Un coup-de-pied pleine largeur (ZKK72R) pour les installations standard doubles peut être acheté séparément.
- Pour les coups-de-pied individuels, collez l'aimant sur leur face arrière. La surface du coup-de-pied où l'aimant est placé doit être propre et exempte de corps étrangers. Centrez les aimants dans les sens vertical et horizontal.
- Placez le(s) coup(s)-de-pied sur la partie inférieure des couvercles d'accès avant.



## ÉTAPE 14 PRÉPARATION DE L'INTÉRIEUR DE L'APPAREIL

- Retirez tout le ruban, le carton et la mousse de chaque appareil.
- Retirez les balconnets emballés des tablettes.
- Déballez et installez les balconnets.

## ÉTAPE 15 DÉMARRAGE DE LA MACHINE À GLAÇONS

### ⚠ ATTENTION

Afin de réduire le risque de blessure, évitez tout contact avec les pièces mobiles du mécanisme d'éjection ou l'élément chauffant qui libère les cubes. Ne placez pas les doigts ou les mains sur le mécanisme de production de glace automatique lorsque l'électroménager est branché dans la prise électrique.

### Un congélateur nouvellement installé peut mettre de 12 à 24 heures pour commencer à produire de la glace.

La machine à glaçons produira sept glaçons par cycle, environ 15 cycles sur une période de 24 heures selon la température du compartiment congélateur, la température de la pièce, le nombre d'ouvertures de porte et d'autres conditions d'utilisation.

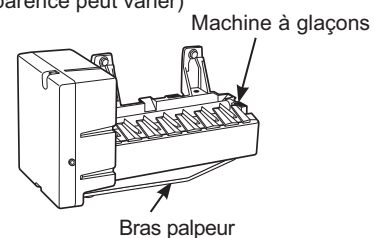
Si le congélateur est utilisé avant le raccordement de l'alimentation d'eau à la machine à glaçons, éteignez la machine à glaçons en maintenant Zone Select enfoncé jusqu'à ce que le message « Ice Off » s'affiche.

Une fois l'eau raccordée, allumez la machine à glaçons en maintenant **Zone Select** enfoncé jusqu'à ce que le message « Ice On » apparaisse.

Jetez les premiers remplissages de bac de glaçons pour permettre le nettoyage de la conduite d'eau.

Assurez-vous que rien ne gêne le mouvement du bras palpeur.

(L'apparence peut varier)



Lorsque le bac se remplit au niveau du bras palpeur, la machine à glaçons cesse de produire de la glace.

Il est normal que plusieurs glaçons s'agglutinent.

L'aspect, le goût et la taille des vieux glaçons seront altérés si ceux-ci ne sont pas consommés fréquemment.

**REMARQUE :** La machine à glaçons fonctionne mieux à une pression d'eau domestique entre 40 et 120 PSI (275 à 827 kPa).

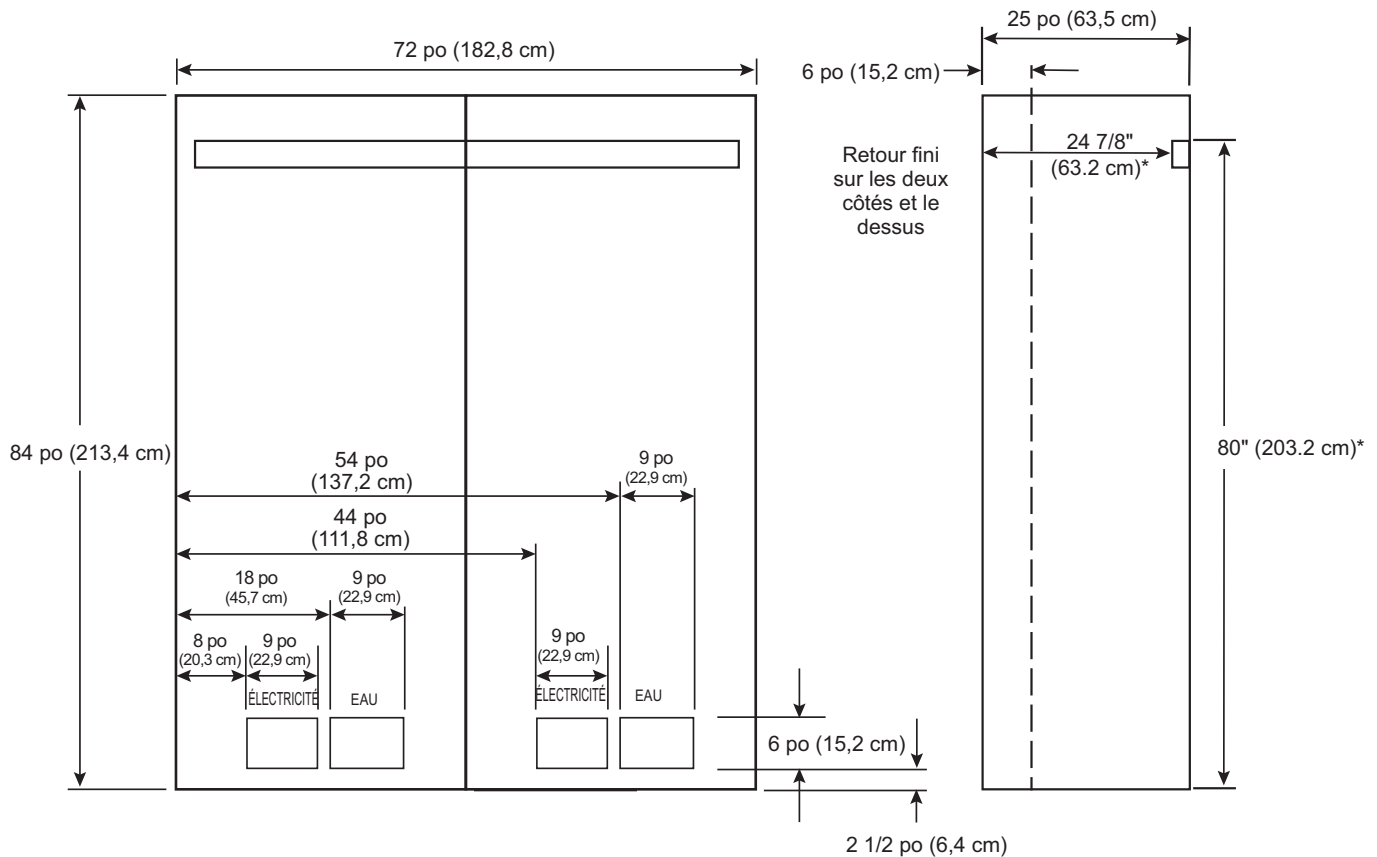
**Instructions pour une installation intégrée double  
(Modèles à une porte seulement)  
Installation dans une nouvelle construction avec des ouvertures  
de 25 po (63,5 cm) de profondeur**



# Guide de conception – Instructions pour une installation intégrée double

## DIMENSIONS D'UNE INSTALLATION INTÉGRÉE DOUBLE (Modèles à une porte seulement)

Les dimensions entre parenthèses sont en centimètres.



\*Pour les espaces d'installation de plus de 25 po de profond, il est recommandé d'installer un bloc d'espacement selon les dimensions indiquées.

# Guide de conception – Instructions pour une installation intégrée double

## DIMENSIONS D'UNE INSTALLATION INTÉGRÉE DOUBLE

### Position des tuyaux d'eau et du câblage électrique

Les alimentations d'eau et électrique doivent se situer comme illustré.

### La profondeur de l'ouverture doit être de 25 po

Les dimensions de l'ouverture sont basées sur l'installation de 2 produits à une porte avec une ouverture de porte vers la gauche et vers la droite.

Une trousse d'union d'éléments chauffants ZKMV est requise.

### Dégagements du produit

Ces appareils sont dotés d'une butée de porte à 2 positions. L'ouverture de porte de 115° réglée à l'usine peut s'ajuster à 90° si le dégagement aux armoires ou aux murs adjacents est restreint.

Reportez-vous à Dim A de la page 3 pour connaître les dégagements requis pour l'ouverture de la porte.

### Spécifications supplémentaires

- Une alimentation électrique distincte de 115 volts, 60Hz, 15 ou 20 ampères, est recommandée pour chaque produit. Un circuit de dérivation ou un disjoncteur distincts correctement mis à la terre sont recommandés. Installez une prise électrique à trois alvéoles correctement mise à la terre encastrée dans le mur arrière. Le câblage électrique doit se situer sur le mur arrière comme illustré.
- Le tuyau d'eau doit se situer sur le mur arrière comme illustré. Le tuyau d'eau doit être en cuivre d'un diamètre extérieur de 1/4 po ou un tuyau de la trousse QuickConnect™ (WX08X10006) qu'il faut installer entre la conduite d'eau froide et le raccord d'alimentation d'eau, d'une longueur suffisante pour atteindre le devant de l'appareil (8 pi [2,4 m]). L'installation d'un robinet de sectionnement aisément accessible est requise.
- **Un retour de finition d'un minimum de 6 po (15,2 cm) s'harmonisant avec l'extérieur des armoires est recommandé sur l'intérieur de tous les côtés et sur le devant dans le haut de l'ouverture.**
- **Les installations dont l'espace entre les unités est de 6 po (15,2 cm) ou moins nécessitent une trousse d'union d'éléments chauffants.**

## EMPLACEMENT DU RÉFRIGÉRATEUR/ CONGÉLATEUR

- N'installez pas le réfrigérateur/congélateur à un endroit où la température est susceptible de descendre en dessous de 55 °F (13 °C). L'appareil ne fonctionnera pas suffisamment souvent pour maintenir les températures appropriées.
- N'installez pas le réfrigérateur/congélateur à un endroit où la température dépassera 100 °F (37 °C). L'appareil ne fonctionnera pas correctement.
- N'installez pas le réfrigérateur/congélateur dans un endroit exposé à l'eau (pluie, etc.) ou aux rayons directs du soleil.
- Installez l'appareil sur un plancher suffisamment robuste pour supporter son poids à pleine capacité.

## QUINCAILLERIE FOURNIE (par appareil)

- Ferrure antibasculement (2)
- Tirefonds
- Vis Tapcon
- Vis hexagonales 1/4 po
- 2 cheville de limitation de charnière
- Trousse de quincaillerie de porte
- Aimant de coup-de-pied

## OUTILS ET MATÉRIEL REQUIS

- Cisaille à tôle (recommandé)
- Tournevis cruciformes nos 1 et 2
- Tournevis à lame plate
- Couteau à mastic (recommandé)
- Ruban à mesurer
- Perceuse et forets 1/16, 5/64, 3/16 po
- Foret à béton 5/32 po (si antibasculement posé sur béton)
- Visseuse/douille 1/4, 3/8, 1/2, 7/16 po
- Clé ouverte 7/16 po
- Visseuse/embout T10, T20, T30
- Visseuse hexagonale 1/8, 1/4 po (clé Allen)
- Niveau
- Robinet de sectionnement d'eau (facultatif mais recommandé)
- Conduite d'eau 8 pi (une par appareil raccordé à l'eau)
- Ruban-cache
- Alcool à friction
- Clé réglable 10 po
- Poinçon
- Trousse d'union d'éléments chauffants (ZKMV)
- Trousses de poignée (le cas échéant)
- Petite clé à cliquet 1/4 ou 3/8 po
- Tournevis à angle droit ou rallonge de mèche d'une longueur de 8 po minimum, 1/4 po de diamètre

# Instructions d'installation – Instructions pour une installation intégrée double

## PIÈCES FOURNIES AVEC LA TROUSSE ZKMV :

Élément chauffant adhésif

Transformateur

Meneau avant

Support de garniture

Support d'union supérieur

Support d'union avant inférieur

Support d'union arrière inférieur

Vis 8-18 de 3 1/4 po de long à tête hexagonale 5/8 po

Vis 8-32 de 5 1/4 po de long à tête hexagonale 5/8 po

Vis 1/4-20 de 5 3/8 po de long à tête hexagonale 1/2 po

4 attaches de fil

## MISE À LA TERRE DE L'APPAREIL

### ⚠ AVERTISSEMENT Risque d'électrocution

Le non-respect de ces instructions peut occasionner un décès, un incendie ou un choc électrique

Le cordon d'alimentation de cet appareil est muni d'une fiche à 3 broches (mise à la terre) qui se branche dans une prise murale ordinaire à 3 alvéoles (mise à la terre) pour réduire au minimum les risques de chocs électriques.

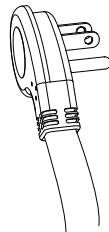
Faites examiner la prise de courant et le circuit par un électricien qualifié pour vous assurer que la prise est correctement mise à la terre.

Dans le cas d'une prise biphasée (2 alvéoles), l'installateur a la responsabilité et l'obligation de la remplacer par une prise triphasée correctement mise à la terre.

EN AUCUN CAS, NE COUPEZ NI NE RETIREZ LA TROISIÈME BROCHE (TERRE) DU CORDON ÉLECTRIQUE.

N'UTILISEZ PAS UNE FICHE D'ADAPTATION POUR BRANCHER LE RÉFRIGÉRATEUR DANS UNE PRISE À DEUX BORNES.

N'UTILISEZ PAS UN CORDON DE RALLONGE AVEC CET APPAREIL.



## PLANCHER

Une installation correcte exige que ce produit soit placé sur la surface de niveau d'un matériau solide de la même hauteur que le reste du plancher. Cette surface doit être suffisamment robuste pour supporter un réfrigérateur ou un congélateur totalement rempli, ou environ 1 200 lb (545 kg) par appareil.

**REMARQUE :** Protégez le fini du plancher.

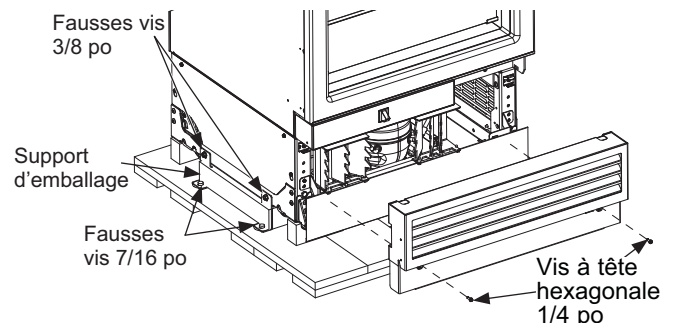
**REMARQUE :** Non recommandé pour une installation sur moquette.

## ÉTAPE 1 RETRAIT DE L'EMBALLAGE

### ⚠ AVERTISSEMENT Risque de

**basculement.** Cet électroménager est lourd du haut. Utilisez d'extrême prudence en le déplaçant afin de prévenir un basculement susceptible d'occasionner des blessures graves ou la mort.

- Retirez la boîte extérieure et autres parties de l'emballage extérieur des appareils.
- Il y a une boîte de pièces collée à l'extérieur du réfrigérateur. Cette boîte comprend un coup-de-pied pour des installations intégrées simples et des pièces de porte qui seront installées une fois les ajustements de panneau de porte effectués. Conservez ces pièces.
- Vérifiez l'absence de dommages.
- Assurez-vous que le plancher sur lequel reposeront les appareils est propre et exempt de débris pouvant s'agglutiner ou coincer l'avant des roulettes et endommager le plancher. Il est aussi recommandé que le plancher soit protégé par un recouvrement plastique pendant la durée de l'installation.
- Retirez les poignées de l'intérieur du compartiment réfrigérateur.
- Retirez les trousseaux de quincaillerie qui se trouvent à l'intérieur de l'appareil.
- Enlevez le couvercle d'accès frontal de l'appareil en retirant deux vis à tête hexagonale 1/4 po. Mettez le couvercle et les vis de côté pour l'installation à venir.



- Retirez deux fausses vis 3/8 po et deux fausses vis 7/16 po de chaque côté de l'appareil afin de le libérer du patin de manutention. Inclinez l'appareil depuis un côté suffisamment pour retirer le matériel d'emballage qui se trouve en dessous, mais au-dessus du patin de manutention. (deux côtés).
- AVEC PRÉCAUTION, roulez l'appareil pour le dégager du côté arrière du patin de manutention.
- Manipulez l'appareil depuis le côté seulement à l'aide d'un chariot.

## ÉTAPE 2 INSTALLEZ LA CONDUITE D'EAU

**⚠ AVERTISSEMENT** Raccordez l'appareil à une alimentation d'eau potable seulement. Une alimentation en eau froide est nécessaire pour le fonctionnement automatique. La pression d'eau doit se situer entre 40 et 120 psi. (275 à 827 kPa).

**⚠ AVERTISSEMENT**  **RISQUE DE DÉCHARGE ÉLECTRIQUE**  
Fixez le collier de serrage dans le trou présent seulement. **NE PERCEZ PAS** dans le réfrigérateur.

### Fermez l'alimentation d'eau principale.

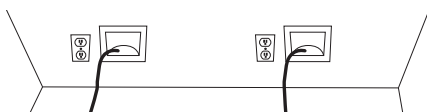
Ouvrez le robinet le plus près suffisamment longtemps pour nettoyer la conduite d'eau.

- Il est recommandé d'installer un robinet d'arrêt entre le robinet d'eau et le tuyau d'eau froide dans un sous-sol ou une armoire adjacente. Le robinet de sectionnement doit être situé à un endroit aisément accessible.
- Ouvrez l'alimentation d'eau principale et rincez les débris. Faites couler environ un litre d'eau à travers le tuyau aboutissant dans un seau. Coupez l'alimentation d'eau au robinet de sectionnement.

**REMARQUE :** Des robinets d'arrêt à étrier ne sont pas recommandés bien qu'ils soient inclus dans plusieurs trousse d'alimentation d'eau. Avant d'acheter, assurez-vous qu'un robinet de sectionnement à étrier satisfait les codes de plomberie de votre région.

**REMARQUE :** Les codes de plomberie 248CMR du Commonwealth du Massachusetts doivent être satisfaits. Les robinets à étrier sont illégaux et leur utilisation prohibée dans le Massachusetts. Consultez votre plombier agréé.

- Achetez un tuyau en cuivre de 1/4 po (D.E.) ou un tuyau en plastique SmartConnect™ (WX08X10006) entre le tuyau d'eau froide de la maison et l'emplacement du raccord d'eau à l'avant de chaque appareil.  
Des trousse de tuyau pour réfrigérateur SmartConnect™ sont disponibles. Un tuyau d'eau de 8 pi (2,4 m) (WX08X10006) est nécessaire pour chaque appareil. Le ou les tuyaux d'eau seront fixés au plancher avec du ruban cache après la pose de la ferrure antibasculement.



- Le tuyau doit être suffisamment long pour atteindre le devant de l'appareil. Prévoyez une longueur de tuyau suffisante pour la courbe menant au raccord de la conduite d'eau.

**REMARQUE :** Les seuls tuyaux en plastique approuvés par Café sont ceux inclus dans les trousse de tuyaux pour réfrigérateur SmartConnect™. N'utilisez pas d'autres tuyaux d'alimentation d'eau en plastique car ils seront sous pression constamment. D'autres types de plastique peuvent se fissurer ou se rompre avec le temps et occasionner des dégâts d'eau dans votre domicile.

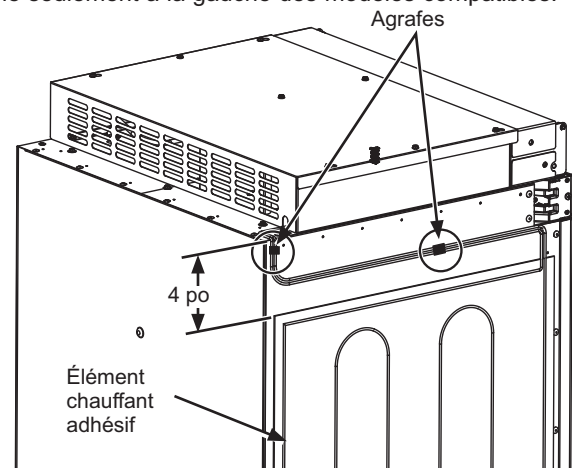
## ÉTAPE 3 PRÉPARATION DE L'APPAREIL POUR L'INSTALLATION

- Déballer la trousse d'union d'éléments chauffants (ZKMV) et assurez-vous que toutes les pièces de la liste sont incluses.

**NOTE :** Assurez-vous que le cordon de connexion de l'élément chauffant est orienté vers le haut de l'unité une fois installé.

- Placez l'unité de droite devant l'ouverture de l'installation de façon que l'unité se trouve devant l'endroit prévu une fois installé. Assurez-vous que l'appareil reste débranché et éteint.
- Installez l'élément chauffant adhésif sur l'extérieur de l'unité de droite du côté gauche de la carrosserie. Installez l'élément chauffant à 4 po en dessous du dessus de la carrosserie. L'élément chauffant doit être centré d'avant en arrière sur la face arrière de la carrosserie métallique.
- Utilisez les agrafes pour attacher le cordon excédentaire solidement sur le côté de la carrosserie comme illustré. Nettoyez le côté avec de l'alcool à friction pour assurer une bonne adhérence des agrafes.

**REMARQUE :** L'installation de l'élément chauffant est possible seulement à la gauche des modèles compatibles.



**⚠ AVERTISSEMENT**  **Risque d'électrocution.** Pour prévenir le risque d'électrocution, assurez-vous que le cordon électrique n'est pas branché dans la prise murale.

- Installez le transformateur dans l'assemblage supérieur de la carrosserie :
  1. Enlevez le dessus du couvercle en retirant huit vis hexagonales no 8 et conservez-les pour réassembler le dessus de couvercle.
  2. Placez le transformateur fourni avec la trousse ZKMV sur le dessus de la carrosserie. Fixez le transformateur à l'aide d'une vis hexagonale (1/4 po) sur le dessus de la carrosserie dans le trou existant du côté arrière droit du boîtier de commande supérieur.
  3. Branchez le connecteur du transformateur à 2 broches sur le connecteur de l'élément chauffant, et le connecteur à 3 broches sur le panneau de commande, en vous assurant que les languettes de verrouillage sont bien insérées.
  4. **REMARQUE :** Vérifiez que l'interrupteur principal est ouvert (ON).

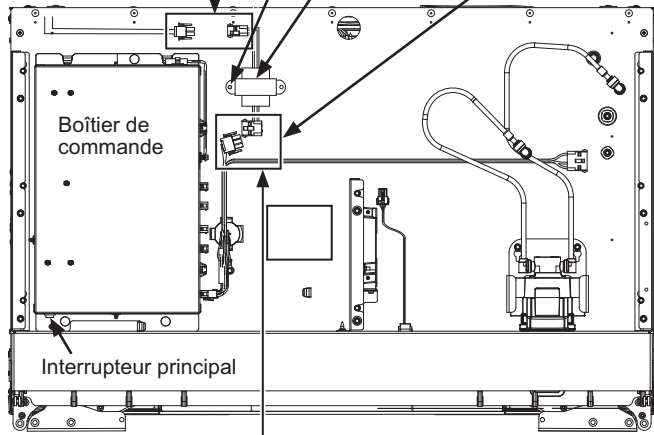
## ÉTAPE 3 PRÉPARATION DE L'APPAREIL POUR L'INSTALLATION (Suite)

5. Montez le dessus de couvercle avec les vis conservées à l'étape précédente.

Brancher le connecteur à 2 positions de l'élément chauffant sur le connecteur à 2 positions du transformateur avec les fils bleu et jaune.

Trou de vis pour le transformateur.

Retirer le boîtier de connecteur vide avant de brancher le transformateur.



Brancher le connecteur à 3 positions du transformateur avec les fils noir et blanc sur le connecteur à 3 positions du faisceau avec les fils brun et orange

L'assemblage de l'enceinte ci-dessus est illustré avec le couvercle retiré.

## ÉTAPE 4 INSTALLATION DE LA FERRURE ANTIBASCULEMENT

### ⚠ AVERTISSEMENT

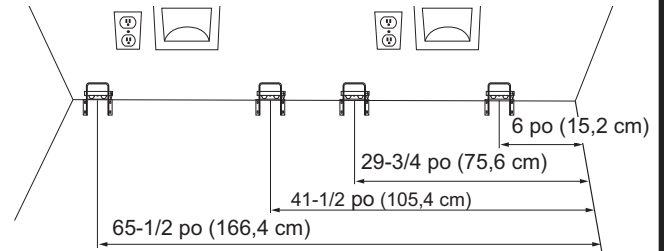


### Risque de

**basculement.** Ces électroménagers sont lourds du haut, notamment lorsqu'une porte est ouverte, de sorte qu'ils doivent être fixés pour prévenir un basculement vers l'avant susceptible d'occasionner des blessures graves ou la mort. Lisez et observez la totalité des instructions d'installation pour connaître la façon de fixer l'électroménager sur le dispositif antibasculement.

- Retirez les ferrures antibasculement de la trousse de quincaillerie.
- Les ferrures antibasculement doivent être montées contre le mur arrière, sauf si l'enceinte mesure plus de 25 1/2 po (64,7 cm) de profondeur. Si la profondeur de l'enceinte est supérieure à 25 1/2 po, la ferrure antibasculement doit être fixée au plancher de façon que sa face arrière se situe à 25 po de l'avant de l'enceinte (la quincaillerie de la ferrure est fournie pour le montage dans le bois ou le béton).
- Mesurez et marquez à partir du côté droit de l'ouverture selon les dimensions indiquées.

## ÉTAPE 4 INSTALLATION DE LA FERRURE ANTIBASCULEMENT (Suite)



- Posez la ferrure antibasculement en la centrant par rapport aux marques et à égalité du plancher, comme illustré. Marquez 3 trous pour le montage sur mur et 4 trous pour le montage sur plancher.

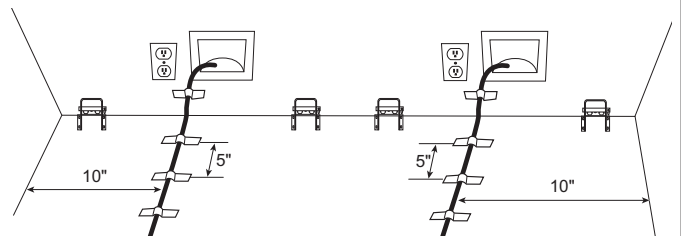
**MONTAGE SUR BOIS:** Percez un avant-trou de 2 po de profondeur avec un foret 3/16 po, puis installez les tirefonds fournis à l'aide d'une visseuse 3/8 po.

**MONTAGE SUR BÉTON:** Percez un avant-trou de 2 po de profondeur avec un foret 5/32 po, puis installez les vis Tapcon fournies à l'aide d'une visseuse 5/16 po.

**REMARQUE:** Pour les substrats non mentionnés ci-dessus, contactez un entrepreneur agréé pour déterminer le matériel approprié.

La ferrure doit être vissée dans le PLANCHER ou le MUR ARRIÈRE.

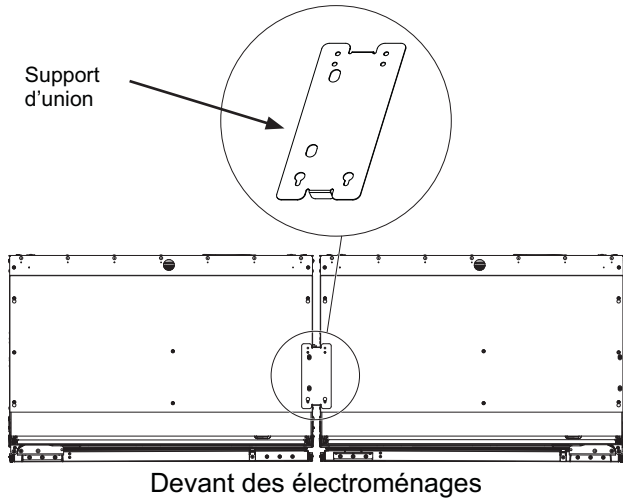
- Fixez le tuyau d'eau avec du ruban sur le mur et le plancher, comme illustré ci-dessous. Le tuyau d'eau doit se trouver à 10 po (25,4 cm) du mur adjacent. Appliquez du ruban tous les 5 pouces (12,7 cm) à devant l'appareil. Ceci permettra de garder la conduite d'eau éloignée des supports antibasculements et éviter que l'appareil ne roule sur la conduite d'eau pendant l'installation. N'appliquez pas de ruban près de la face de l'armoire pour que le ruban puisse rester camoufler sous l'appareil.



## ÉTAPE 5 ACCOUPLEMENT DES APPAREILS INSTALLÉS

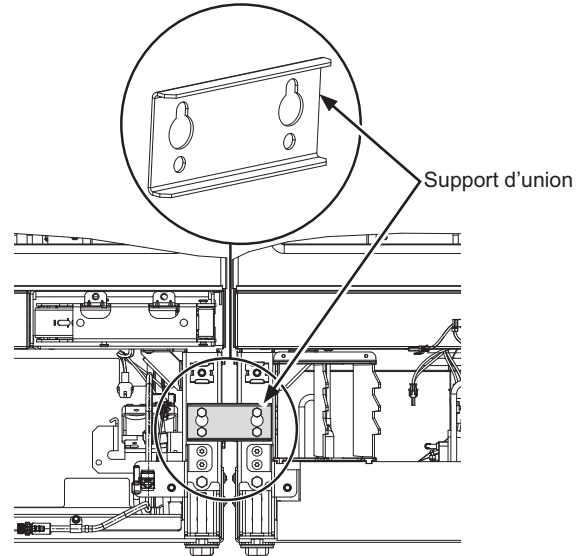
### UNION DE LA PARTIE SUPÉRIEURE

- Desserrez les deux vis du milieu, retirez les deux vis arrière.
- Montez le support sur les deux vis du milieu et réinstallez les vis arrière.
- Serrez les vis pour réunir les unités.



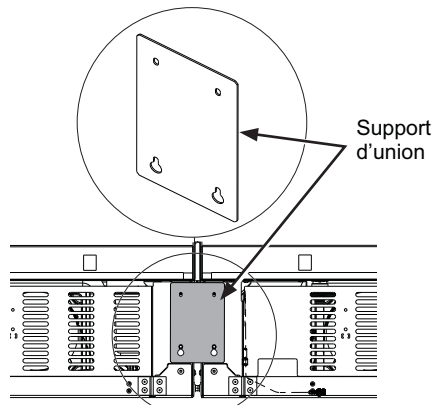
### UNION DE LA PARTIE INFÉRIEURE ARRIÈRE

- Installez le support d'union inférieur avant à l'aide d'une visseuse 3/8 po (4 vis).



### UNION DE LA PARTIE INFÉRIEURE ARRIÈRE

- Desserrez les deux vis inférieures des couvercles d'accès arrière des deux unités et retirez les vis supérieures.
- Accrochez le support d'union sur les vis inférieures et réinstallez les vis dans le haut.
- Serrez les vis pour réunir les unités.

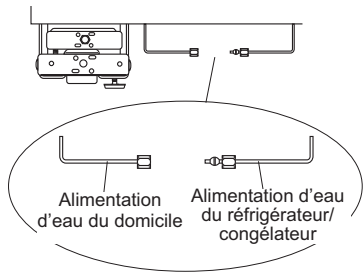




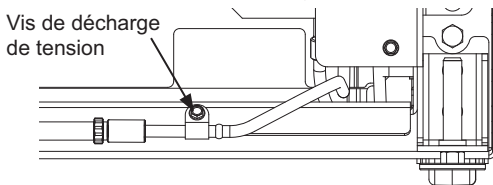
## ÉTAPE 6 RACCORDEMENT DE L'ALIMENTATION D'EAU

**⚠ AVERTISSEMENT** Raccordez l'appareil à une alimentation d'eau potable seulement. Une alimentation en eau froide est nécessaire pour le fonctionnement automatique.. La pression d'eau doit se situer entre 40 et 120 psi. (275 à 827 kPa).

**⚠ AVERTISSEMENT**  **RISQUE DE DÉCHARGE ÉLECTRIQUE**  
Fixez le collier de serrage dans le trou présent seulement. NE PERCEZ PAS dans le réfrigérateur.



- Repérez et acheminez le tuyau à l'avant de l'armoire.
- Ouvrez l'alimentation d'eau pour rincer les débris de la conduite. Faites couler environ un litre d'eau à travers le tuyau aboutissant dans un seau, puis fermez l'alimentation d'eau.
- Retirez la vis de décharge de tension pour laisser suffisamment de jeu pour le raccordement d'eau. (La vis doit être reposée à l'étape suivante.)



### Tuyau de cuivre :

- Enfiler un écrou 1/4 po et une bague d'extrémité aux deux bouts du tuyau de cuivre. Insérez le tuyau dans le raccord union sur l'appareil et serrez l'écrou sur le raccord union.
- Ouvrez l'alimentation d'eau pour vérifier l'absence de fuites.

### Tuyau SmartConnect™ :

**REMARQUE :** Les seuls tuyaux en plastique approuvés par Café sont ceux inclus dans les trousse de tuyaux pour réfrigérateur SmartConnect™. N'utilisez pas d'autres tuyaux d'alimentation d'eau en plastique car ils seront sous pression constamment. D'autres types de plastique peuvent se fissurer ou se rompre avec le temps et occasionner des dégâts d'eau dans votre domicile.

- Insérez l'extrémité moulée du tube dans le raccord du réfrigérateur ou du congélateur. Serrez l'écrou à compression à la main.
- Suivez les instructions fournies avec la tuyauterie. Un serrage excessif peut causer des fuites!
- Ouvrez l'alimentation d'eau pour vérifier l'absence de fuites.

## ÉTAPE 7 PLACEMENT ET FIXATION DANS L'ENCADREMENT

**⚠ AVERTISSEMENT**  **Risque**

**d'électrocution.** Afin de réduire le risque d'électrocution, usez de prudence lors des étapes d'installation suivantes afin de ne pas toucher au câblage ou composants électriques à l'intérieur du compartiment du compresseur une fois que l'électroménager est branché sans le couvercle d'accès refermé.

- Branchez les deux appareils dans la prise murale.
- Trouvez la corde d'installation fixé à l'avant de l'appareil; elle sert lorsque vous poussez l'appareil dans l'ouverture. Cette corde est attachée au cordon électrique; à mesure que vous poussez l'appareil dans l'ouverture, vous devez tirer fermement pour vous assurer que le cordon d'alimentation est acheminé sous l'appareil.
- Poussez lentement les deux appareils dans l'ouverture en vous assurant de ne pas toucher aux armoires des côtés et du dessus afin de prévenir les dommages. La face de la porte en acier inoxydable doit être ajustée avec la face avant des armoires adjacentes.

**⚠ AVERTISSEMENT**  **Risque de**

**basculement.** Ces électroménagers sont lourds du haut, notamment lorsqu'une porte est ouverte, de sorte qu'ils doivent être fixés pour prévenir un basculement vers l'avant susceptible d'occasionner des blessures graves ou la mort.

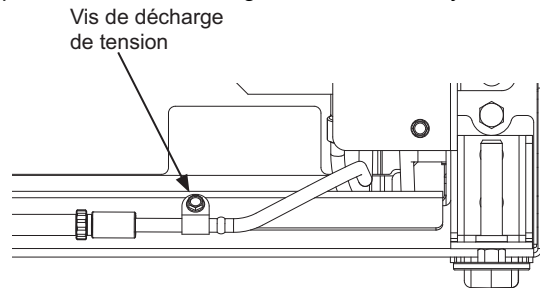
- Placez le cordon électrique sur son bord et tirez-le au-dessous de l'appareil entre les roulettes et à l'écart des ferrures antibasculement afin que le cordon ne soit pas endommagé pendant l'installation.
- À mesure que vous poussez l'appareil dans l'ouverture, vous devez tirer la corde fermement pour vous assurer que le cordon électrique passe sous l'appareil.





## ÉTAPE 7 PLACEMENT ET FIXATION DANS L'ENCADREMENT (Cont.)

- Reposez la vis de décharge de tension du tuyau d'eau.



- Rangez excédentaire la corde et le tuyau d'eau sous l'appareil.

### ⚠ AVERTISSEMENT Risque

**d'électrocution.** Reposez la vis de décharge de tension dans le profilé avant comme illustré.

## ÉTAPE 8 MISE À NIVEAU DE L'APPAREIL

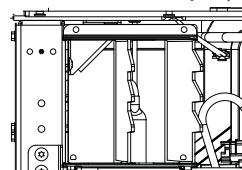
Tous les modèles sont dotés de 4 points de nivellement. Le devant est supporté par des pieds de nivellement; l'arrière, par des roulettes réglables. Les deux types sont accessibles depuis le devant de l'appareil.

- Pour niveler l'arrière de l'appareil, tournez l'écrou hexagonal 7/16 po situé au-dessus des roulettes avant. Tournez dans le sens des aiguilles pour lever l'appareil, dans le sens inverse pour le baisser.
- Pour niveler le devant, utilisez un embout T30 sur le dessus de la patte de nivellement ou une clé ouverte de 7/16 po au bas de la patte de nivellement.
- Réglez la hauteur de l'appareil pour qu'elle corresponde à l'ouverture d'installation de 84 po. L'appareil doit être mis de niveau et d'équerre avec les armoires. Les roues avant doivent être à un minimum de 1/8 po (0,3 cm) du sol.

L'écrou hexagonal de 7/16 po est utilisé pour niveler les pattes arrière.

L'embout T30 est utilisé pour niveler les pattes avant.

La clé ouverte de 7/16 po est utilisée pour niveler les pattes avant.



**AVIS :** Les roulettes de nivellement arrière et les pieds de nivellement avant sont limités à une hauteur de réglage maximale de 1 po. Si l'installation exige une hauteur supérieure à 84 po, l'installateur doit surélever l'appareil sur une feuille de contreplaqué ou des rails. On peut aussi ajouter une garniture d'armoire dans le haut de l'ouverture pour raccourcir celle-ci. Une tentative de lever l'appareil de plus de 1 po endommagera les pieds de nivellement avant et les roulettes de nivellement arrière.

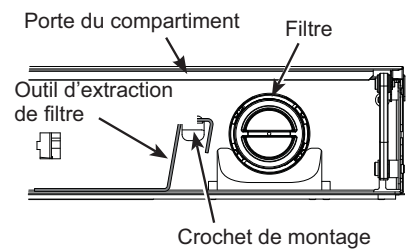
## ÉTAPE 9 Install Door Trims

- Assurez-vous que les ferrures antibasculement sont engagées avec l'arrière de l'unité.
- Voir la Section Réglage des panneaux de porte et installation des garnitures pour plus de détails.

## ÉTAPE 10 PRÉPARATION FINALE DE L'EXTÉRIEUR DE L'APPAREIL

**POUR UNE INSTALLATION AFFLEURANTE :** Assurez-vous que la surface avant de la porte est ajustée avec la face avant des armoires adjacentes **AVANT** de fixer les supports aux armoires adjacentes.

- Ouvrez la porte des unités. Repérez le filtre et l'outil d'extraction du filtre. Le filtre doit se placer tel qu'illustré.



- Tournez le filtre de 1/4 de tour dans le sens contraire des aiguilles (utilisez l'outil d'extraction de filtre si nécessaire).

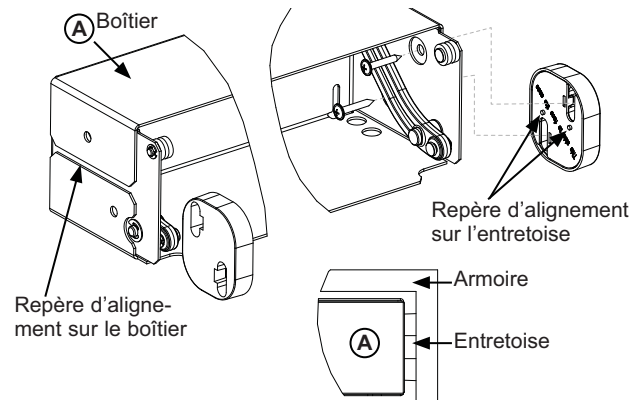
- Tirez le filtre vers vous pour le retirer.

**NOTA :** Le système d'eau ne fonctionnera pas sans le filtre en place.

- Prépercez des trous de 1/16 po dans les deux côtés du contour sur une profondeur de 1/2 po à travers les trous dans l'enceinte.

**⚠ CAUTION** Utilisez des gants et une protection pour les bras lors de l'installation des entretoises.

- Fixez l'unité aux armoires adjacentes en utilisant les entretoises et des vis à tête cruciforme de 1 po fournies avec l'unité. Sur les modèles à une porte : commencez par fixer la poignée avant de déplacer le côté charnière. Sur les modèles à porte française, ouvrez une porte et fixez ce côté avant de déplacer l'autre côté.

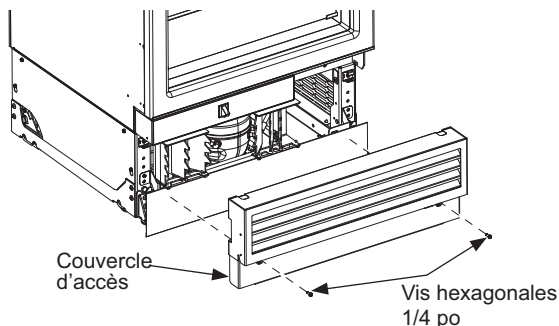
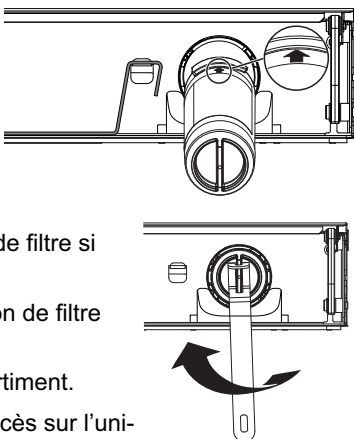


## ÉTAPE 10 PRÉPARATION FINALE DE L'EXTÉRIEUR DE L'APPAREIL (Suite)

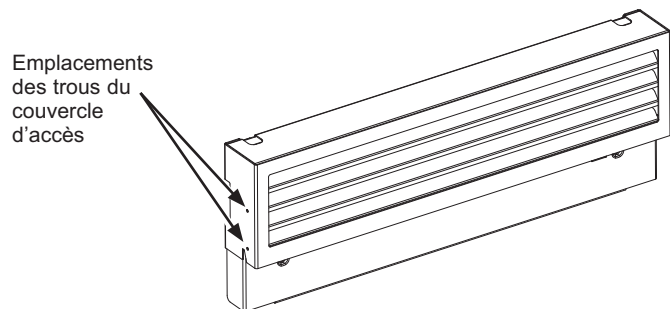
- Ouvrez la porte en pleine extension et passer le bras par l'ouverture entre la porte et la carrosserie pour aligner les entretoises. Faites glisser les entretoises en place en utilisant les repères d'alignement sur l'entretoise et le côté de la (A) carrosserie jusqu'à ce que les trous de vis d'entretoise et les trous de vis de boîtier soient alignés. Enfoncez les vis à tête cruciforme à travers le boîtier dans les armoires adjacentes.

**REMARQUE:** Cette étape ne remplace PAS la quincaillerie antibasculement. Reportez-vous à l'étape 3 « Installation de la ferrure antibasculement » et à l'étape 5 « Insertion et fixation dans les armoires environnantes » pour des instructions détaillées sur l'installation de la ferrure antibasculement.

- Repérez la flèche bleue sur le filtre. Tournez le filtre pour aligner la flèche comme illustré.
- Insérez le filtre en position et tournez-le de 1/4 de tour dans le sens des aiguilles (utilisez l'outil d'extraction de filtre si nécessaire).
- Retournez l'outil d'extraction de filtre sur le crochet de montage.
- Fermez la porte du compartiment.
- Remplacez le couvercle d'accès sur l'unité et fixez-le avec deux vis hexagonale 1/4 po.



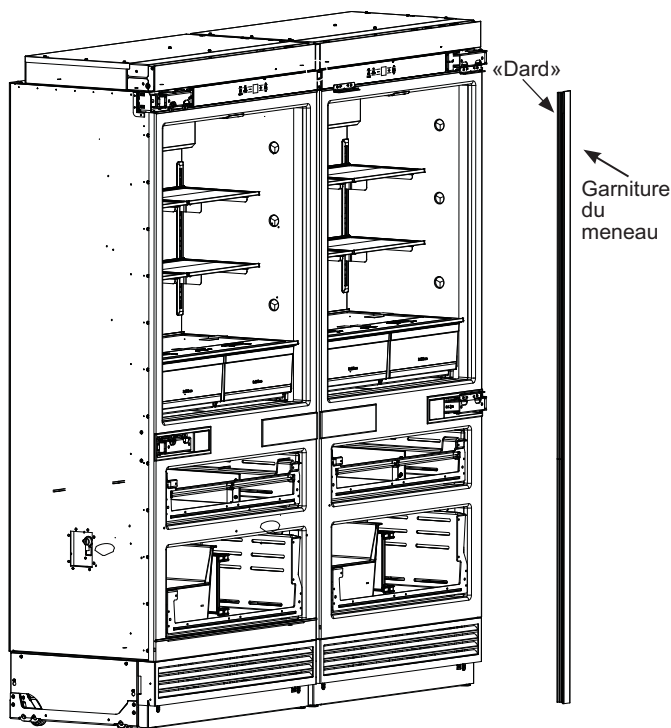
- Sur le côté du couvercle d'accès qui fera face au milieu de l'installation, insérez deux vis à tête hexagonale de 1/4 po. Ces vis améliorent la fixation de la garniture de meneau. Répétez l'opération sur le deuxième couvercle d'accès.



## ÉTAPE 10 PRÉPARATION FINALE DE L'EXTÉRIEUR DE L'APPAREIL (suite)

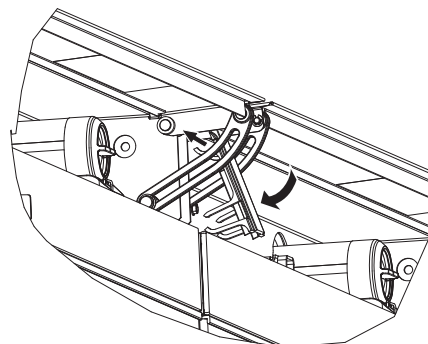
### Installation de la garniture de meneau

- Ouvrez toutes les portes et tous les tiroirs.
- Alignez le haut de la garniture de meneau avec le haut des panneaux de commande.
- Installez la garniture de meneau entre les deux unités en poussant la « fléchette » dans la zone entre les unités.
- Assurez-vous que la garniture est complètement rentrée contre la carrosserie. Ajustez si nécessaire.



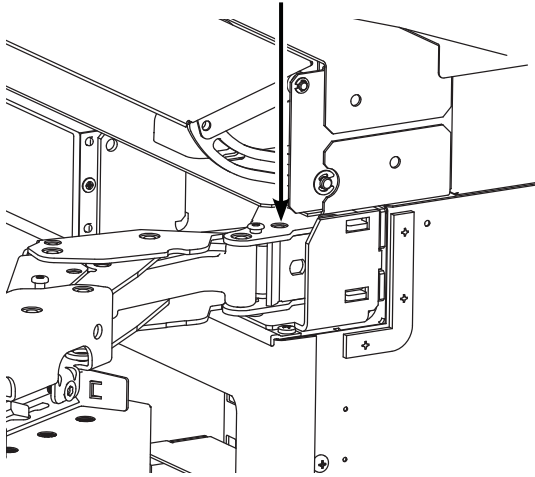
**REMARQUE :** Les portes/tiroirs non illustrés par souci de clarté.

- Ouvrez les deux portes d'enceinte à 90°.
- Encliquetez le support de garniture entre les enceintes d'accès au filtre à eau au-dessus des afficheurs.



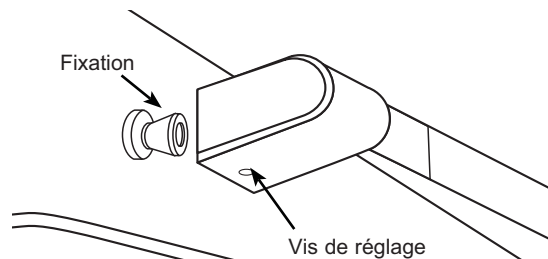
## ÉTAPE 10 PRÉPARATION FINALE DE L'EXTÉRIEUR DE L'APPAREIL (suite)

- Si l'installation nécessite une ouverture de porte à 90°, les axes de limitation de charnière doivent être installés dans les charnières supérieures. La cheville de limitation se trouve dans la trousse de quincaillerie.
- Ouvrez la porte pour exposer le trou dans le support de charnière arrière et installez la cheville de limitation. La cheville doit reposer à fond dans la charnière sinon la porte ne fermera pas correctement.



## ÉTAPE 11 INSTALLATION DE LA POIGNÉE

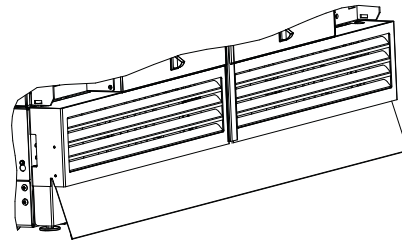
- Assurez-vous que les vis de réglage des couvercles de poignée sont desserrés. Placez la poignée sur les fixations de la porte (nous vous recommandons de placer le côté vis de la poignée vers le côté le moins visible). Prenez soin de soutenir la poignée de manière à ce qu'elle ne tombe pas et ne raye pas la finition de l'appareil. Assurez-vous que les deux couvercles de poignée reposent sur la face de la porte.



- Verrouillez une extrémité de la poignée en position en serrant la vis de réglage dans le couvercle de la poignée à l'aide de la clé hexagonale 1/8 po. Veillez à ne pas trop serrer.
- Continuez de soutenir la poignée tandis que vous verrouillez l'autre extrémité de la poignée en serrant la vis de serrage du couvercle de poignée avec la clé hexagonale 1/8 po. Veillez à ne pas trop serrer.
- Répétez ces instructions pour toutes les autres poignées.

## ÉTAPE 12 INSTALLATION DU COUP-DE-PIED

- Un coup-de-pied en acier inoxydable et un aimant sont inclus avec chaque réfrigérateur. Un coup-de-pied pleine largeur (ZKK72R) pour les installations standard doubles peut être acheté séparément.
- Pour les coups-de-pied individuels, collez l'aimant sur leur face arrière. La surface du coup-de-pied où l'aimant est placé doit être propre et exempte de corps étrangers. Centrez les aimants dans les sens vertical et horizontal.
- Placez le(s) coup(s)-de-pied sur la partie inférieure des couvercles d'accès avant.



## ÉTAPE 13 PRÉPARATION DE L'INTÉRIEUR DE L'APPAREIL

- Retirez tout le ruban, le carton et la mousse de chaque appareil.
- Retirez les balconnets emballés des tablettes.
- Déballez et installez les balconnets.

### ÉTAPE 14 DÉMARRAGE DE LA MACHINE À GLAÇONS

#### ⚠ ATTENTION

Afin de réduire le risque de blessure, évitez tout contact avec les pièces mobiles du mécanisme d'éjection ou l'élément chauffant qui libère les cubes. Ne placez pas les doigts ou les mains sur le mécanisme de production de glace automatique lorsque l'électroménager est branché dans la prise électrique.

**Un congélateur nouvellement installé peut mettre de 12 à 24 heures pour commencer à produire de la glace.**

La machine à glaçons produira sept glaçons par cycle, environ 15 cycles sur une période de 24 heures selon la température du compartiment congélateur, la température de la pièce, le nombre d'ouvertures de porte et d'autres conditions d'utilisation.

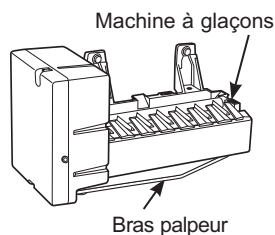
Si le congélateur est utilisé avant le raccordement de l'alimentation d'eau à la machine à glaçons, éteignez la machine à glaçons en maintenant Zone Select enfoncé jusqu'à ce que le message « Ice Off » s'affiche.

Une fois l'eau raccordée, allumez la machine à glaçons en maintenant **Zone Select** enfoncé jusqu'à ce que le message « Ice On » apparaisse.

Jetez les premiers remplissages de bac de glaçons pour permettre le nettoyage de la conduite d'eau.

Assurez-vous que rien ne gêne le mouvement du bras palpeur.

(L'apparence peut varier)



Lorsque le bac se remplit au niveau du bras palpeur, la machine à glaçons cesse de produire de la glace.

Il est normal que plusieurs glaçons s'agglutinent.

L'aspect, le goût et la taille des vieux glaçons seront altérés si ceux-ci ne sont pas consommés fréquemment.

**REMARQUE :** La machine à glaçons fonctionne mieux à une pression d'eau domestique entre 40 et 120 PSI (275 à 827 kPa).

## **Réglage des panneaux de porte et installation des garnitures**

**Cette étape peut être exécutée pour tous les types d'installation.**

# Instructions d'installation - Réglage des panneaux de porte et installation des garnitures

## QUINCAILLERIE FOURNIE (par appareil)



Garnitures de porte  
6 - Single Door  
10 - French Door



12 couvercles de garniture  
12 – Porte simple  
20 – Porte française



Clé Allen M4



Clé Allen M5

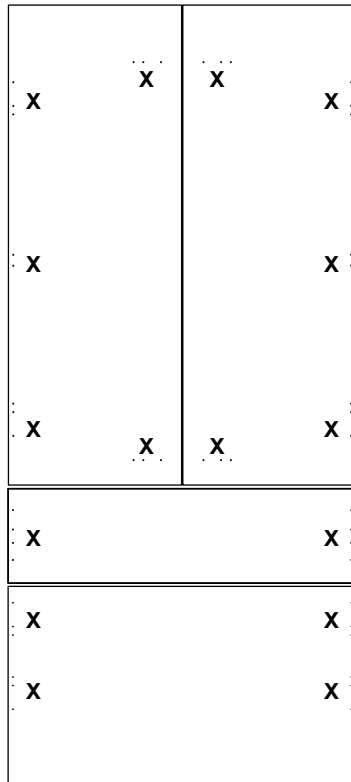
### ⚠ AVERTISSEMENT



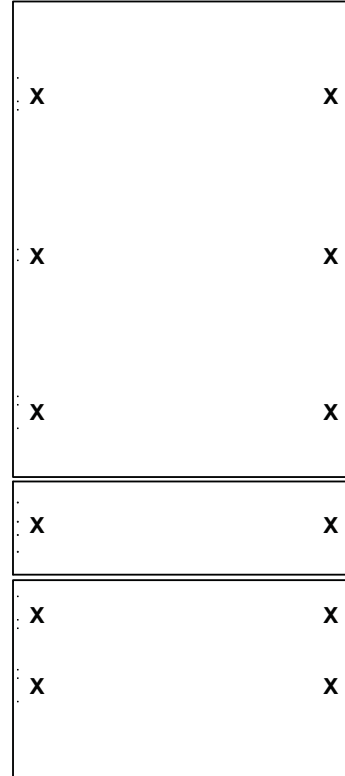
### Risque de pincement

**de doigts.** Une installation incorrecte peut poser un risque de coincement de doigts entre la garniture de porte latérale et les armoires en manipulant la porte, en particulier pour les enfants. Pour réduire ce risque, vous devez suivre les instructions d'installation relatives aux dimensions d'armoire, au montage des garnitures et à l'angle de l'arrêt de porte.

## Emplacements des supports de réglage des panneaux



Porte française



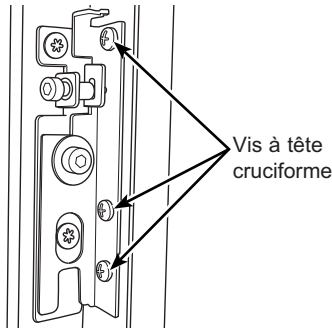
Porte simple



# Instructions d'installation - Réglage des panneaux de porte et installation des garnitures

## Réglage horizontal

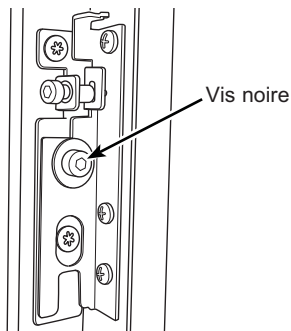
1. Desserrez les vis à tête cruciforme sur la face arrière du panneau en acier inoxydable à chaque emplacement de support.



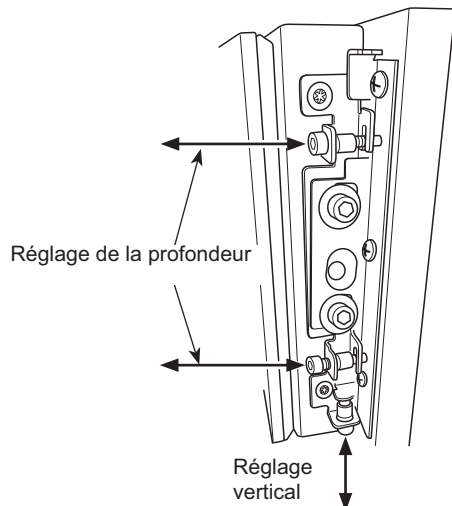
2. Réglez le ou les panneaux dans le sens horizontal.
3. Serrez les vis.

## Réglage en hauteur et profondeur

1. Desserrez les vis noires à chaque emplacement de support à l'aide d'une clé hexagonale M5.



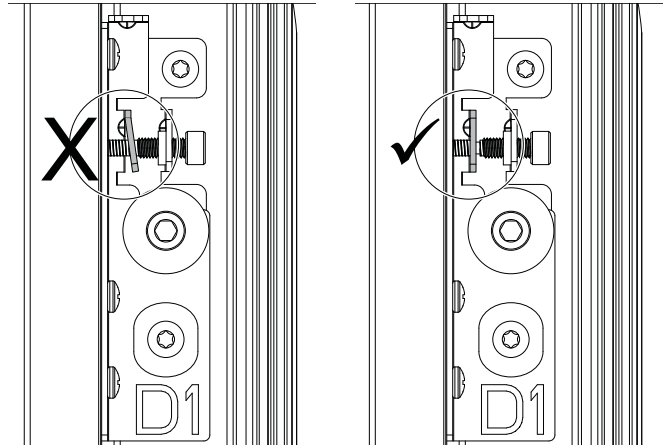
2. Utilisez la clé Allen M4 pour régler la profondeur et la hauteur du panneau de porte du réfrigérateur afin de l'aligner sur les armoires adjacentes. Ne serrez pas trop les vis de réglage, car les languettes du support de panneau se plieront et empêcheront la fixation correcte de la garniture. Il doit y avoir un espace minimum de 1/8 po entre le panneau et les armoires adjacentes.



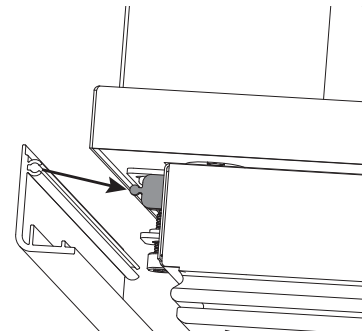
3. Une fois les réglages terminés, serrez les vis noires.

## Installation des garnitures

1. Avant d'installer les garnitures, inspectez les languettes du support pour vous assurer qu'elles ne sont pas pliées (voir l'image). Les languettes doivent être parallèles au panneau pour installer correctement les garnitures.

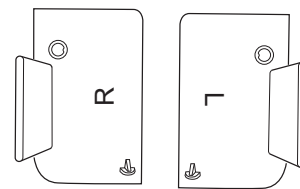


2. Clipsez les garnitures sur les supports pour masquer la visserie de réglage du panneau.



3. Add trim caps to cover the ends of the trim.

**Remarque:** Si les capuchons de garniture ne sont pas alignés avec le haut de la porte, tenez les capuchons supérieur et inférieur lors du réglage de la garniture vers le haut ou vers le bas afin qu'ils ne se détachent pas. Assurez-vous que les capuchons sont au ras des garnitures après le réglage.



REMARQUE : Il est recommandé de porter des lunettes de sécurité ou des lunettes étanches lors de l'installation de cet appareil.

REMARQUE : Au sein de GE Appliances, nous nous efforçons toujours d'améliorer nos produits. Ainsi, les matériaux, l'aspect et les spécifications peuvent être modifiés sans préavis.



DISTINCT BY DESIGN™

## Instruccione de Instalación

### Refrigeradores con Freezer Inferior Integrado

<b>Seguridad</b>	2	Piso	26
<b>Guía de Diseño</b>		Paso 1. Retire el Embalaje	27
Dimensiones y Espacios Libres 4	3	Paso 2. Instale el Suministro de Agua	27
Accesorios/ Kits	4	Paso 3. Prepare la Unidad para la Instalación - Instalación Dual	28
<b>Instrucciones para la Instalación Estándar Simple</b>	5	Paso 4. Instale el Soporte Anti Volcaduras	29
El Espacio de Instalación	6	Paso 5. Unión de las Unidades Duales Instaladas	30
Herramientas, Hardware, Materiales	7	Paso 6. Cambio del Cable de Corriente	31
Conexión a Tierra de la Unidad	7	Paso 7. Instalación del Borde de la Caja	31
Piso	7	Paso 8. Conexión del Suministro de Agua	32
Paso 1. Retire el Embalaje	8	Paso 9. Inserción/ Ajuste del Borde del Gabinete	33
Paso 2. Instale el Suministro de Agua	8	Paso 10. Nivele la Unidad	34
Paso 3. Instale el Soporte Anti Volcaduras	9	Paso 11. Preparación Final de la Unidad Externa	34
Paso 4. Cambie el Cable de Corriente	10	Paso 12. Instalación de la Manija	36
Paso 5. Instalación del Borde de la Caja	10	Paso 13. Instalación Del Zocalo	36
Paso 6. Conexión del Suministro de Agua	11	Paso 14. Preparación de la Unidad Interna	36
Paso 7. Inserción/ Ajuste del Borde del Gabinete	11	Paso 15. Inicie La Maquina De Hielos	36
Paso 8. Nivele la Unidad	12	<b>Instrucciones para una Instalación Integrada Dual (Sólo Modelos de Puerta Simple)</b>	37
Paso 9. Preparación Final de la Unidad Externa	13	El Espacio de Instalación	38
Paso 10. Instalación de la Manija	14	Herramientas, Equipamiento, Materiales	39
Paso 11. Instalación Del Zócalo	14	Conexión a Tierra de la Unidad	40
Paso 12. Preparación de la Unidad Interna	14	Piso	40
Paso 13. Inicie La Maquina De Hielos	14	Paso 1. Retire el Embalaje	40
<b>Instrucciones para una Instalación Integrada Simple</b>	15	Paso 2. Instale el Suministro de Agua	41
El Espacio de Instalación	16	Paso 3. Preparación de la Unidad para la Instalación	41
Herramientas, Equipamiento, Materiales	17	Paso 4. Instale el Soporte Antivolcaduras	42
Conexión a Tierra de la Unidad	17	Paso 5. Uniendo las Unidades Duales Instaladas	43
Piso	17	Paso 6. Conexión del Suministro de Agua	44
Paso 1. Retire el Embalaje	18	Paso 7. Inserción/ Ajuste del Borde del Gabinete	44
Paso 2. Instale el Suministro de Agua	18	Paso 8. Nivele la Unidad	45
Paso 3. Instalación Del Soportes Anti Volcaduras	19	Paso 9. Preparación Final de la Unidad Externa	45
Paso 4. Conexión del Suministro de Agua	19	Paso 10. Instalación de la Manija	47
Paso 5. Inserción/ Ajuste del Borde del Gabinete	20	Paso 11. Preparación de la Unidad Interna	47
Paso 6. Nivele la Unidad	21	Paso 12. Encienda la Máquina de Hielos r	47
Paso 7. Preparación Final de la Unidad Externa	21	Paso 13. Instale el Ensamble de la Jarra de Llenado Automático	48
Paso 8. Instalación de la Manija	22	<b>Ajustes del Panel frontal e Instalación del Marco</b>	49
Paso 9. Instalación Del Zocalo	22	Quincaillerie Fournie	50
Paso 10. Preparación de la Unidad Interna	22	Ubicaciones de los Soportes de Ajuste del Panel	50
Paso 11. Encienda la Máquina de Hielos	23	Ajuste de Lado a Lado	51
<b>Instrucciones para la Instalación Estándar Dual</b>	24	Ajuste de Altura y Profundidad	51
El Espacio de Instalación	25	Instalación de los Marcos	51
Herramientas, Hardware, Materiales	26		
Conexión a Tierra de la Unidad	26		

¿Preguntas? Visite [cafeappliances.com](http://cafeappliances.com).

Español

31-1000731 Rev. 3 04-24

# Información sobre Seguridad

## ANTES DE COMENZAR

Lea estas instrucciones en su totalidad y atentamente.

- **IMPORTANTE** – Conserve estas instrucciones para uso del inspector local. Cumpla con todos los códigos y ordenanzas gubernamentales.
- **Nota para el Instalador** – Asegúrese de que el Comprador conserve estas instrucciones.
- **Nota para el Consumidor** – Guarde estas instrucciones con su Manual del Propietario para referencia futura.

Si la unidad que recibió está dañada, se deberá comunicar de inmediato con su vendedor o fabricante.

**Nivel de habilidad** – La instalación de esta unidad requiere un nivel básico de habilidades mecánicas, de carpintería y plomería. La correcta instalación del producto es responsabilidad del instalador. Si se producen fallas en el producto debido a una instalación inadecuada, la Garantía de Café no cubrirá las mismas. Para obtener información sobre la garantía, consulte el Manual del Propietario.

### **⚠ ADVERTENCIA** **Riesgo de Descarga Eléctrica**

Enchufe en un tomacorriente con conexión a tierra de 3 cables.

No elimine el cable de conexión a tierra.

No use un adaptador.

Inmediatamente interrumpa el uso de un cable de suministro de corriente dañado. Si el cable de corriente se encuentra dañado, su reemplazo deberá ser realizado por un profesional calificado del servicio técnico, utilizando una pieza del servicio técnico autorizada por el fabricante.

No use un prolongador con este electrodoméstico. Si no se siguen estas instrucciones, se podrá producir la muerte, incendios o descargas eléctricas.

Siga las instrucciones que figuran en la sección de Conexión de tierra de la unidad.

Este electrodoméstico deberá ser instalado por algún medio en el cableado fijo del hogar o en un disyuntor para desconectar el electrodoméstico del suministro eléctrico luego de la instalación.

### **⚠ ADVERTENCIA** **Riesgo de Caídas**

Estos electrodomésticos son inestables, especialmente cuando una puerta se encuentre abierta, y deben estar asegurados a fin de evitar caídas hacia adelante que podrían resultar en la muerte o en lesiones graves. Lea y siga las instrucciones de instalación en su totalidad para asegurar el electrodoméstico con el sistema anti volcaduras.

### **⚠ ADVERTENCIA** **Riesgo de Incendio o Explosión.**

Mantenga cualquier material y vapores inflamables alejados del electrodoméstico. Si no se cumple con esto, se podrá producir una explosión, incendio o la muerte.

### **⚠ ADVERTENCIA** A fin de reducir el riesgo asociado con descargas, no permita que los niños menores de 3 años de edad tengan acceso a las partes pequeñas durante la instalación de este producto.

### **⚠ PRECAUCIÓN** **Riesgo al levantar la puerta**

Esta unidad es muy pesada. A fin de reducir el riesgo de lesión de una persona al maniobrar e instalar este electrodoméstico, se requiere contar con 3 personas para una correcta instalación.

### **⚠ PRECAUCIÓN** Mantenga los dedos fuera de los espacios de “riesgo de lastimaduras”; los espacios entre las puertas y entre las puertas y el gabinete son necesariamente pequeños. Tenga la precaución de cerrar las puertas cuando los niños se encuentren en el área.

## FORMA ADECUADA DE DESCARTAR SU ELECTRODOMÉSTICO

Descarte o recicle su electrodoméstico de acuerdo con las Regulaciones Federales y Locales. Comuníquese con las autoridades locales para descartar o reciclar su electrodoméstico de forma ambientalmente segura.

- Tenga en cuenta las opciones de reciclaje del material de embalaje de su electrodoméstico.

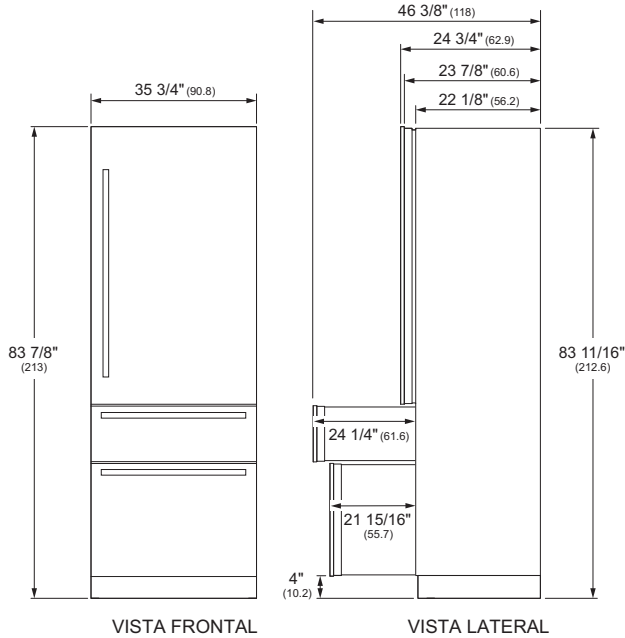
# Guía de Diseño

## DIMENSIONES Y ESPACIOS LIBRES

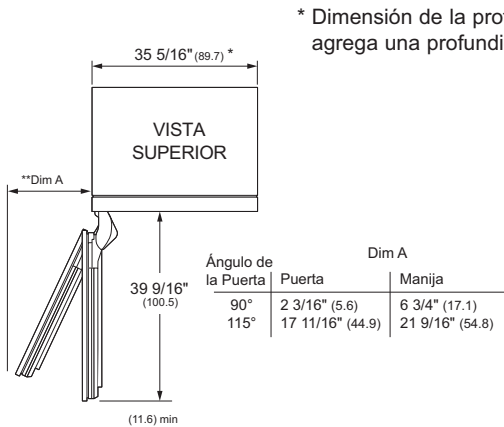
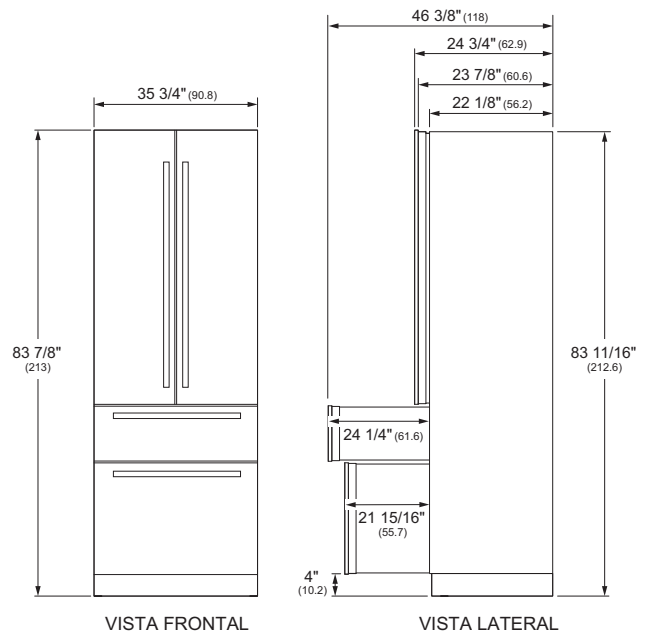
Las dimensiones que aparecen entre paréntesis están expresadas en centímetros..

### Dimensiones Totales (con los paneles de puerta de 3/4" instalados)

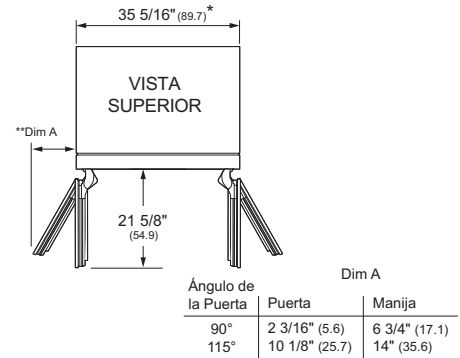
Modelos de Puerta Simple



Modelos de Puerta Francesa



\*Ancho de la carcasa en la parte más ancha.  
 \*\*Dim. A = Espacio libre necesario hasta la pared o el electrodoméstico adyacente.  
 Dimensiones basadas en la altura de la manija de 2 9/16" (6.5)  
 y un espacio libre de una mano de 2" (5).



\*Ancho de la carcasa en la parte más ancha.  
 \*\*Dim. A = Espacio libre necesario hasta la pared o el electrodoméstico adyacente.  
 Dimensiones basadas en la altura de la manija de 2 9/16" (6.5)  
 y un espacio libre de una mano de 2" (5.1)

### Altura del embalaje

Use las patas niveladoras y ruedas para ajustar la altura hasta 84" (213.46 cm). El ajuste máximo es de 1" (2.54 cm).

### Espacios Libres del Producto

Estas unidades están equipadas con un dispositivo de detención de la puerta de 2 posiciones. El giro de la puerta de 115° original de fábrica se podrá ajustar a 90° si el espacio libre hasta los gabinetes adyacentes o paredes es restringido.

Consulte la Dim. A por encima de los espacios libres para el balanceo de puerta.

# Guía de Diseño

Los Refrigeradores con Freezer Inferior Integrado de Café se podrán instalar en muchas configuraciones con diferentes situaciones de instalación.

## Instrucciones para la Instalación Integrada – Dual y Simple

Instalación en una construcción nueva con aberturas de 25" de profundidad

## Instrucciones para la Instalación Estándar – Dual y Simple

Instalación en construcciones existentes (espacios libres existentes) con aberturas de una profundidad de 24" que poseen un ancho de 35 ½", o instalaciones dobles con un ancho de 71 ½".

## ACCESSORIES/KITS

- Kit de Unificación del Calentador **ZKMV**
- Tubería de Agua de 8' (2.5 m) WX08X10006
- Kit de Instalación Estándar ZKW36V para la Instalación Simple
- Kit de Instalación Estándar ZKW72V para la Instalación Dual
- Zócalos de Acero Inoxidable para Instalaciones Dobles

72"	ZKK72R (Instalación Estándar)
72"	ZKN72V (Instalación Integrada)

- Kits de Manijas para Puerta Francesa

CXSB4H4PVBZ	Kit de 4 Manijas de Bronce
CXSB4H4PVCU	Kit de 4 Manijas de Cobre
CXSB4H4PVBT	Kit de 4 Manijas Negras
CXSB4H4PVCG	Kit de 4 Manijas de Latón
CXSB4H4PVFB	Kit de 4 Manijas Negras Planas

- Kits de Manijas para Puerta Simple

CXSB3H3PVBZ	Kit de 3 Manijas de Bronce
CXSB3H3PVCU	Kit de 3 Manijas de Cobre
CXSB3H3PVBT	Kit de 3 Manijas Negras
CXSB3H3PVCG	Kit de 3 Manijas de Latón
CXSB3H3PVFB	Kit de 3 Manijas Negras Planas



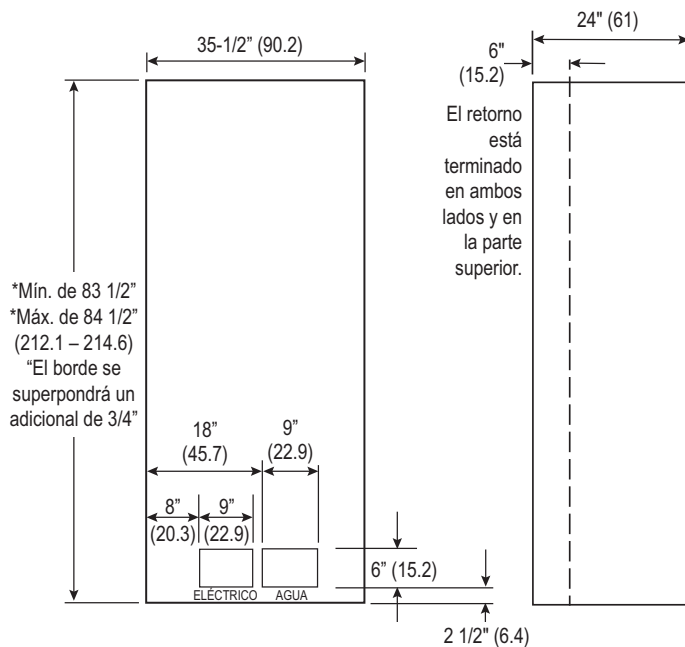
# **Instrucciones para la Instalación Estándar Simple**

**Instalación en una construcción existente con aberturas  
profundas de 24" de un ancho de 35 1/2"**

# Guía de Diseño – Instalación Estándar Simple

## ESPACIO DE INSTALACIÓN ESTÁNDAR SIMPLE

Las dimensiones que aparecen entre paréntesis están expresadas en centímetros.



### Para Recortes de 24" de Profundidad-

Es necesario un kit de marcos (ZKW36V) para las instalaciones estándares.

### Ubicaciones de Agua y Electricidad

En el diagrama se muestra la ubicación recomendada para la electricidad. Si la ubicación de la electricidad está más arriba de lo que se muestra, use el cable de corriente provisto con el kit del marco (ZKW36V). Siga las instrucciones del paso 4 para cambiar el cable de corriente.

El suministro de agua se deberá ubicar como se muestra.

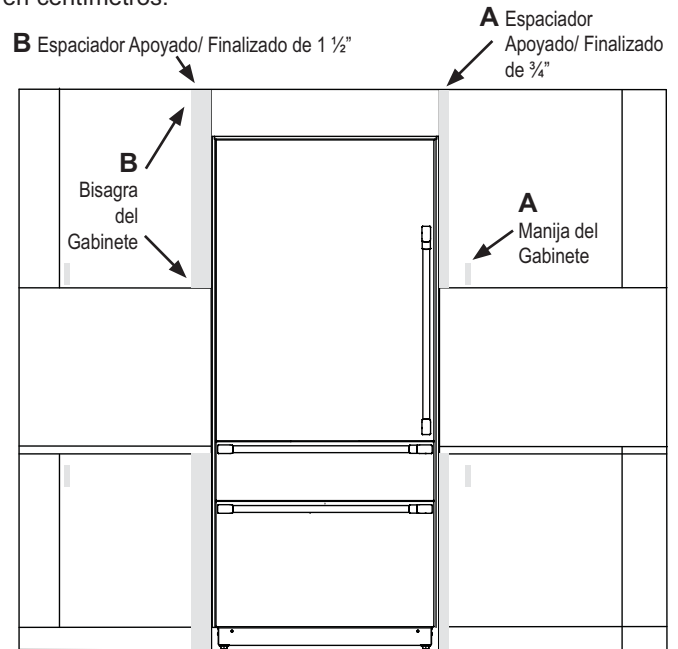
### Espacios Libres del Producto

Estas unidades están equipadas con un dispositivo de detención de la puerta de 2 posiciones. El giro de la puerta de 115° original de fábrica se podrá ajustar a 90° si el espacio libre hasta los gabinetes adyacentes o paredes es restringido.

Lea la Dim. A en la página 3 para consultar sobre los espacios libres necesarios para el balanceo de puerta.

### Especificaciones adicionales

- Se requiere un suministro de corriente aparte de 115 voltios, 60Hz., y 15 o 20 amperes para cada producto. Se recomienda el uso de un circuito individual derivado o un disyuntor correctamente conectado a tierra. Instale un receptáculo eléctrico de 3 patas correctamente conectado a tierra en la pared trasera. El receptáculo eléctrico deberá estar ubicado en la pared trasera como se muestra.
- La tubería de agua deberá estar ubicada en la pared trasera, como se muestra. La tubería de agua deberá ser de cobre y tener un diámetro externo de 1/4" o ser del kit QuickConnect™ (WX08X10006) entre la tubería de agua fría y la ubicación de la conexión de agua, siendo lo suficientemente larga como para alcanzar el frente de la unidad (8' [2.4m]). Se requiere la instalación de una válvula de cierre fácilmente accesible en la

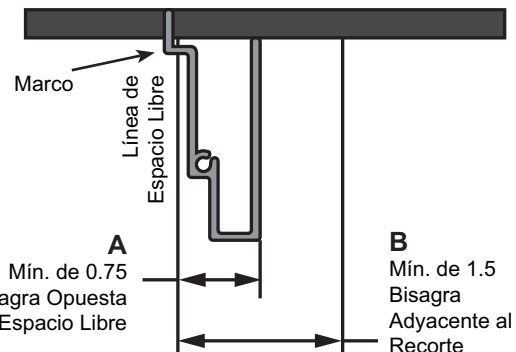


tubería de agua.

- Se recomienda un retorno finalizado mínimo de 3 1/2" que coincida con el gabinete exterior en la parte interna sobre todos los laterales y la parte superior del frente de la abertura.

### Dimensiones de los Espacios Libres Mínimos con los marcos Instalados

- Descanso de 3/4" necesario para el extremo adyacente de la puerta/ cajón del gabinete con bisagra opuesto al espacio libre.
- Descanso de 1 1/2" necesario para el extremo de la puerta/ cajón del gabinete con bisagra adyacente al espacio libre.



- Opción de espacio libre con la Manija del Gabinete junto al marco. Espacio libre de apoyo mínimo de 3/4" (Coincidiendo con el Acabado del Gabinete) necesario desde la abertura del espacio libre para el Marco Estándar.
- Opción de espacio libre con la bisagra del Gabinete junto al marco. Espacio libre de apoyo mínimo de 1 1/2" (Coincidiendo con el Acabado del Gabinete) necesario desde la abertura del espacio libre para el Marco Estándar, para despejar las bisagras de las puertas de los gabinetes.

# Instrucciones de Instalación - Instalación Estándar Simple

## UBICACIÓN DEL REFRIGERADOR/ FREEZER

- No instale el refrigerador/ freezer en lugares donde la temperatura sea inferior a los 55°F (13°C). Éste no funcionará con la frecuencia suficiente como para mantener las temperaturas apropiadas.
- No instale el refrigerador/ freezer en lugares donde la temperatura sea superior a los 100°F (37°C). Éste no funcionará correctamente.
- No instale el refrigerador/ freezer en una ubicación expuesta al agua (lluvia, etc.) o en contacto directo con la luz solar.
- Instale el mismo en un piso lo suficientemente fuerte como para soportarlo completamente cargado.

## HERRAMIENTAS Y MATERIALES NECESARIOS

- Tijeras de podar metálicas (recomendadas)
- Destornillador Phillips nn2
- Destornillador con punta plana
- Espátula (recomendadas)
- Cinta de medición
- Taladro y brocas de 1/16", 5/64", 3/16", 1/2"
- Broca de concreto de 5/32" (si instalará el soporte anti volcaduras en el concreto)
- Destornillador/ ficha de 1/4", 3/8", 7/16"
- Llave de tuercas de 7/16"
- Destornillador/ broca T10, T20, T30
- Destornillador hexagonal de 1/8", 1/4" (llave Allen)
- Nivel
- Válvulas de cierre de agua (opcional pero recomendada)
- Línea de flotación de 8'
- Alcohol desinfectante
- Llave de ajuste
- Llave ajustable de 10"
- Kit de manijas (si corresponde)
- Llave de Tubo Pequeña de 1/4" o 3/8"
- Kit de Marcos Estándar (ZKW36V)
- Taladro Angular Derecho de 90° o un extensor de broca con una longitud mínima de 8" y un diámetro de 1/4"

## MATERIALES SUMINISTRADOS (por unidad)

- Soporte Anti volcaduras (cant. de 2)
- Tornillos tirafondos
- Tornillos Tapco
- Tornillos Hexagonales de 1/4"
- Kit de Materiales para Puerta

## CONEXIÓN A TIERRA DE LA UNIDAD

**⚠ ADVERTENCIA**  **Riesgo de Descarga**  
Si no se siguen estas instrucciones, se podrá producir la muerte, incendios o descargas eléctricas.

El cable de corriente de este electrodoméstico cuenta con un enchufe de 3 cables (conexión a tierra) que se conecta a un tomacorriente de pared estándar de 3 cables (conexión a tierra) para minimizar el riesgo de posibles descargas eléctricas por parte del mismo.

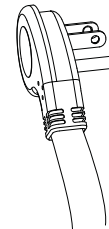
Contrate a un electricista calificado para que controle el tomacorriente y el circuito eléctrico, a fin de asegurar que el enchufe esté correctamente conectado a tierra.

En caso de contar con un tomacorriente de pared de 2 cables, es su responsabilidad y obligación reemplazarlo por un tomacorriente de pared de 3 cables correctamente conectado a tierra.

NUNCA, BAJO NINGUNA CIRCUNSTANCIA, CORTE NI ELIMINE EL TERCER CABLE (TIERRA) DEL CABLE DE CORRIENTE.

NO USE UN ENCHUFE ADAPTADOR PARA CONECTAR EL REFRIGERADOR A UN TOMACORRIENTE DE 2 PATAS.

NO USE UN PROLONGADOR CON ESTE ELECTRODOMÉSTICO.



## PISO

Para una instalación correcta, este producto se deberá ubicar en una superficie nivelada de material duro que posea la misma altura en el resto del piso. Esta superficie deberá ser lo suficientemente fuerte como para resistir el peso de un refrigerador o freezer totalmente cargado, o aproximadamente 1,200 libras por unidad.

**NOTA:** Proteja el acabado del piso..

**NOTA:** No recomendado para instalación en pisos alfombrados.

# Instrucciones de Instalación - Instalación Estándar Simple

## PASO 1 RETIRE EL EMBALAJE

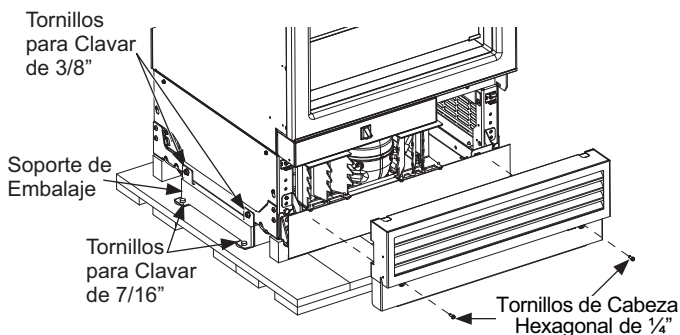
### ⚠ ADVERTENCIA



#### Riesgo de Caída.

Este electrodoméstico es inestable. Tenga extremo cuidado al moverlo, a fin de evitar caídas hacia adelante que podrían resultar en la muerte o lesiones graves.

- Retire el cartón externo y el embalaje externo de las unidades.
- En la parte exterior del refrigerador se encuentra una caja de piezas encintada. Esta caja incluye un zócalo para instalaciones integradas simples y partes de la puerta que serán instaladas una vez completados los ajustes del panel de la puerta. Guarde estas partes.
- Inspeccione que no haya daños.
- Controle que no haya daños.
- Asegúrese de que el piso donde las unidades se encuentran apoyadas esté despejado/ libre de escombros que podrían ser arrastrados o pellizcados frente a las ruedas y dañando así el piso. De forma adicional, se recomienda que el piso esté protegido por una cobertura plástica a través del proceso de instalación.
- Retire las manijas desde el interior del compartimiento del refrigerador.
- Retire los kits de materiales que se encuentran ubicados dentro de la unidad.
- Retire la tapa de acceso frontal de la unidad, retirando los dos tornillos de cabeza hexagonal de 1/4". Coloque la tapa y los tornillos al costado para una instalación futura.
- Retire dos tornillos para clavar de 3/8" y dos tornillos para clavar de 7/16" de cada lado de la unidad, a fin de liberar la misma de la superficie antideslizante. Incline la unidad desde el costado lo suficiente como para retirar el material de embalaje de la parte inferior de la unidad, pero sobre la superficie antideslizante (ambos lados).
- **CON CUIDADO** haga rodar la unidad fuera de la parte trasera de la superficie antideslizante.
- Sostenga la misma sólo de un lado con un carro manual.



## PASO 2 INSTALE EL SUMINISTRO DE AGUA

### ⚠ ADVERTENCIA

Realice la conexión a un suministro de agua potable únicamente. Se requiere un suministro de agua fría para el funcionamiento de la jarra automática de llenado y del dispensador de agua (algunos modelos). La presión del agua deberá estar entre 40 y 120 p.s.i. (275 – 827 kPa).

### ⚠ ADVERTENCIA



#### PELIGRO DE DESCARGA ELÉCTRICA

Adhiera la abrazadera de la tubería usando el agujero existente únicamente. NO perforo el refrigerador.

#### Cierre el suministro principal de agua.

Abra el grifo más cercano durante el tiempo suficiente como para despejar la tubería de agua.

- Se recomienda la instalación de una válvula de cierre entre la válvula de agua y la tubería de agua fría en un sótano o gabinete adyacente. **La válvula de cierre deberá ser ubicada donde estará fácilmente accesible.**
- Abra el suministro principal de agua y deje correr la suciedad. Deje correr aproximadamente un cuarto de galón de agua a través de la tubería a un balde. Cierre el suministro de agua desde la válvula de cierre.

**NOTA:** Las válvulas de cierre tipo montura no se recomiendan pero están incluidas en muchos kits de suministro de agua. Antes de su adquisición, asegúrese de que la válvula tipo montura cumpla con los códigos de plomería locales.

**NOTA:** Se deberá cumplir con los Códigos de Plomería del Commonwealth de Massachusetts 248CMR. Las válvulas tipo montura son ilegales y su uso está prohibido en Massachusetts. Consulte a un plomero matriculado.

- Haga circular una tubería de cobre de un diámetro externo de 1/4" o una tubería plástica SmartConnect™ (WX08X10006) entre el suministro de agua fría de la casa y la ubicación de la conexión de agua en el frente de la unidad.
- La tubería deberá ser de una extensión suficiente como para llegar hasta el frente de la unidad. Deje una cantidad de tubería suficiente como para hacer una inclinación que llegue hasta la conexión de la tubería de agua. La unidad deberá estar inclinada hacia un costado para conducir la tubería de agua por debajo y hacia el frente del electrodoméstico.

**NOTA:** La única tubería plástica aprobada por Café es suministrada en los Kits de Tuberías para Refrigerador de SmartConnect™. No use ningún otro suministro de agua plástico, ya que el suministro se encuentra bajo presión en todo momento. Otros tipos de plásticos podrán sufrir fisuras o roturas con el paso del tiempo y ocasionar problemas con el agua en su hogar.

- Las tuberías de agua deben ser encintadas al piso usando una cinta adhesiva luego de la instalación del soporte antivolcaduras.

# Instrucciones de Instalación - Instalación Estándar Simple

## PASO 3 | INSTALACIÓN DEL SOPORTE ANTI VOLCADURAS

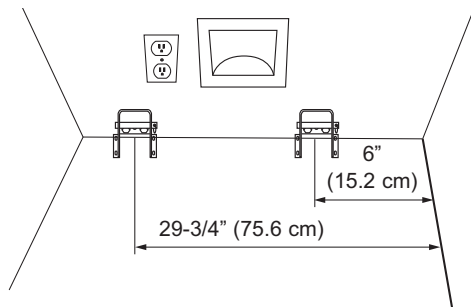
### ⚠ ADVERTENCIA



### Riesgo de

**Caídas** Estos electrodomésticos son inestables, especialmente cuando una puerta se encuentre abierta, y deben estar asegurados a fin de evitar caídas hacia adelante que podrían resultar en la muerte o en lesiones graves. Lea y siga las instrucciones de instalación en su totalidad para asegurar el electrodoméstico con el sistema anti volcaduras.

- Retire el soporte(s) antivolcaduras del kit de materiales.
- Asegure los soportes antivolcaduras al piso, de modo que el lado trasero del soporte antivolcaduras sea de  $22 \frac{5}{8}$ " (57.5 cm) desde el frente del espacio de protección (se brinda el material del soporte para el montaje en madera o concreto).
- Realice la medición y marca desde el lado derecho de la abertura, de acuerdo con las dimensiones mostradas.



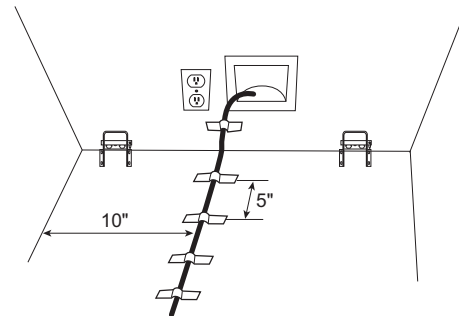
- Monte el soporte anti volcaduras centrado en torno a las marcas y la alineación con el piso, como se muestra. Marque los 3 agujeros para el montaje en la pared o los 4 agujeros para el montaje en el piso.

**MONTAJE SOBRE MADERA:** Haga marcas con una broca de  $\frac{3}{16}$ ", de 2" de profundidad, y luego instale los tirafondos provistos con un destornillador de  $\frac{3}{8}$ ".

**MONTAJE SOBRE CONCRETO:** Haga marcas con una broca para concreto de  $\frac{5}{32}$ ", de 2" de profundidad, y luego instale los tornillos tapcon con una llave de  $\frac{5}{16}$ ".

**NOTA:** Para consultas sobre substratos que no figuren más arriba, comuníquese con un contratista con licencia para consultarlo sobre las herramientas apropiadas.

- El soporte deberá ser atornillado al PISO o a la PARED TRASERA.
- Encinte la tubería de agua a la pared y el piso, como se muestra a continuación. La tubería de agua deberá estar alejada 10" (25.4 cm) desde la pared adyacente. Coloque cinta aproximadamente cada 5" (12.7 cm) hacia el frente de la unidad. Esto mantendrá alejada la tubería de agua del soporte(s) antivolcaduras y evitará que la unidad gire sobre la tubería de agua durante la instalación. No coloque cinta cerca del frente del gabinete, a fin de mantener la cinta oculta debajo de la unidad.



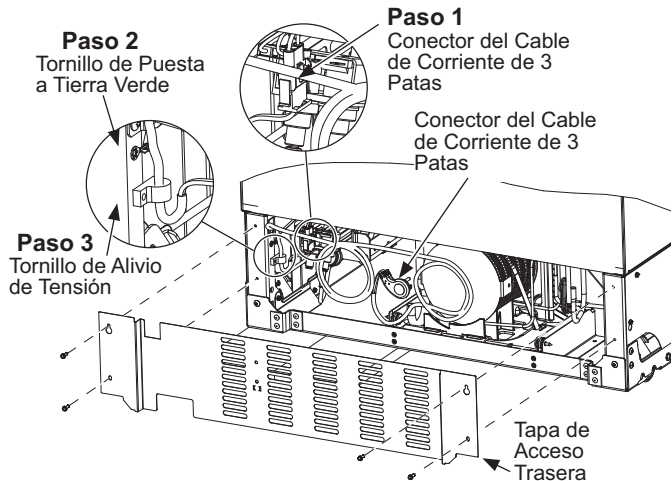
# Instrucciones de Instalación - Instalación Estándar Simple

## PASO 4 CAMBIE EL CABLE DE CORRIENTE

Si la ubicación de la salida de electricidad requiere un cable de corriente más largo, siga las instrucciones que figuran a continuación para cambiar el cable de corriente más largo provisto con el kit de instalación estándar.

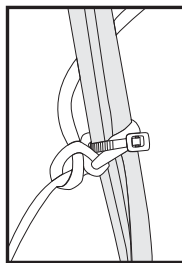
**Retire el cable de corriente corto existente con el ensamble de la cuerda:**

- Retire los tornillos hexagonales de ¼" que sostienen la tapa de acceso trasera.
  1. Desenchufe el conector del cable de corriente de 3 patas dentro del compartimiento de la máquina (presione sobre los costados para liberar las lengüetas de bloqueo).
  2. Retire el tornillo hexagonal de ¼" del cable de corriente de conexión a tierra verde
  3. Retire el tornillo hexagonal de ¼" del amortiguador de refuerzo.
  4. Retire la cuerda del cable de corriente corto, cortando la misma cerca del amarre del cable.



**Instale el nuevo cable de corriente más prolongado:**

1. Amarre la cuerda alrededor del cable de corriente más largo de 18 pulgadas desde el aliviador de tensión y coloque el amarre del cable como se muestra.
2. Enchufe el conector de 3 patas (asegúrese de que las lengüetas de bloqueo estén adheridas).
3. Instale el tornillo del cable de corriente de conexión a tierra verde
4. Instale el amortiguador de refuerzo del cable de corriente.



**Nota:** No ajuste en exceso el amarre del cable. Un ajuste excesivo podrá dañar el cable de corriente.

## PASO 4 CAMBIE EL CABLE DE CORRIENTE (cont.)

**⚠ ADVERTENCIA**  **Riesgo de Descarga Eléctrica**

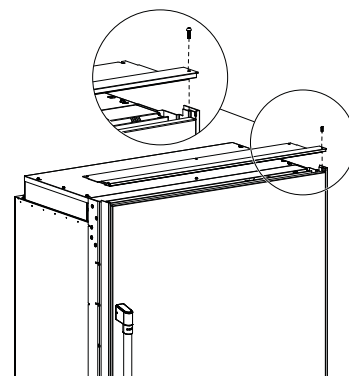
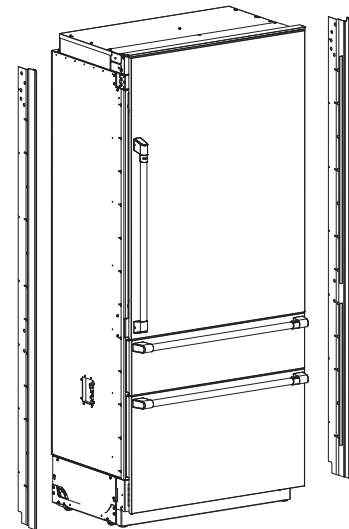
Se podrá producir la muerte o daños graves como resultado de no seguir estas instrucciones.

- El servicio técnico deberá ser realizado por un técnico calificado del servicio únicamente.
- Desconecte el cable de corriente antes de realizar el servicio técnico de este producto.
- Vuelva a conectar todos los dispositivos de conexión a tierra luego de realizar el servicio técnico.
- Vuelva a colocar todas las piezas y paneles antes del uso.

- Reemplace la tapa de acceso trasero. Asegúrese de que el cable de corriente y el cable de conexión a tierra estén correctamente dirigidos a través del recorte de la tapa de acceso.

## PASO 5 INSTALACIÓN DEL BORDE DE LA CAJA

- Instale los rieles laterales del kit de marcos en las paredes derecha e izquierda expuestas de la carcasa, usando los tornillos de cabezas Phillips n° 8 provistos - 8 tornillos por lado.
- Afloje los tornillos con cabeza hexagonal de la tapa superior, de modo que se puedan deslizar las ranuras del marco superior entre los tornillos de cabeza hexagonal y la tapa superior.
- Encastre los rieles del marco superior con aquellos del borde lateral, deslizando los extremos expuestos del marco de la esquina en los rieles laterales del kit de marcos derecho e izquierdo. Alinee y coloque los dos tornillos de cabeza Phillips número 8-32 en los agujeros de los tornillos de los rieles laterales, a fin de asegurar que el marco superior calce cómodamente sobre los rieles laterales.
- Ajuste los tornillos de cabeza hexagonal de la tapa superior, de modo que el marco superior quede asegurado al gabinete.



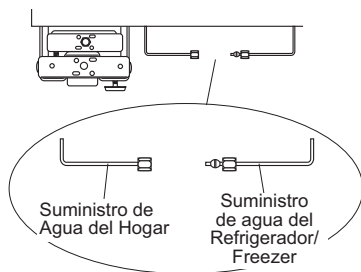


# Instrucciones de Instalación - Instalación Estándar Simple

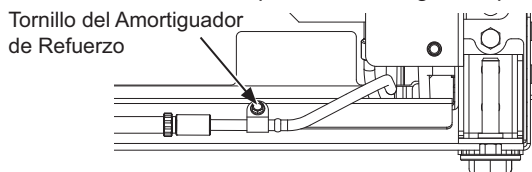
## PASO 6 CONEXIÓN DEL SUMINISTRO DE AGUA

**⚠ ADVERTENCIA** Realice la conexión a un suministro de agua potable únicamente. Se requiere un suministro de agua fría para el funcionamiento de la máquina de hielos automática y de la jarra de llenado automático. La presión del agua deberá estar entre 40 y 120 p.s.i. (275 – 827 kPa).

**⚠ ADVERTENCIA**  **PELIGRO DE DESCARGA ELÉCTRICA**  
Adhiera la abrazadera de la tubería usando el agujero existente únicamente. NO perforo el refrigerador.



- Encuentre y traiga la tubería al frente del gabinete.
- Abra y deje correr el agua para eliminar desechos de la tubería. Deje correr alrededor de un cuarto de galón de agua por la tubería a un balde, y luego cierre el suministro de agua.
- Retire el tornillo del amortiguador de refuerzo para que se afloje lo suficiente y poder realizar una adecuada conexión de agua. (El tornillo deberá ser reemplazado en el siguiente paso).



### Tubería de Cobre:

- Coloque una tuerca de 1/4" y una abrazadera de refuerzo sobre ambos extremos de la tubería de cobre. Inserte la tubería en el accesorio de unión con la unidad y ajuste la tuerca a la unión.
- Abra el suministro de agua para controlar que no haya pérdidas.

### Tubería SmartConnect™

**NOTA:** La única tubería plástica aprobada por Café es suministrada en los Kits de Tuberías para Refrigerador de SmartConnect™. No use ningún otro suministro de agua plástico, ya que el suministro se encuentra bajo presión en todo momento. Otros tipos de plásticos podrán sufrir fisuras o roturas con el paso del tiempo y ocasionar problemas con el agua en su hogar.

- Inserte el extremo moldeado de la tubería en la conexión del refrigerador o del freezer. Ajuste la tuerca de compresión hasta que quede fijada sólo con la presión manual.
- Siga las instrucciones provistas con la tubería. ¡Un ajuste excesivo podrá ocasionar pérdidas!
- Abra el suministro de agua para controlar que no haya pérdidas.

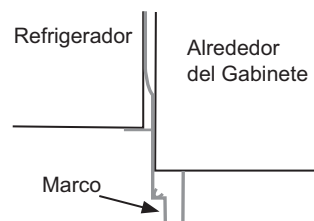
## PASO 7 INSERCIÓN/ AJUSTE DEL BORDE DEL GABINETE

- Enchufe la unidad en el tomacorriente de pared.

**⚠ ADVERTENCIA**  **Riesgo de Descarga**

**Eléctrica.** A fin de reducir el riesgo de descarga eléctrica, tenga cuidado en los pasos restantes de la instalación de no tocar el cableado ni los componentes eléctricos dentro del compartimiento del compresor mientras el electrodoméstico está enchufado y la tapa de acceso frontal no está en su lugar.

- Busque la cuerda de instalación que está adherida sobre el frente de la unidad; la misma deberá ser usada a medida que vuelve a empujar la unidad dentro de la abertura. La cuerda está adherida al cable de corriente; a medida que vuelve a colocar la unidad en la abertura, deberá tensar la cuerda para asegurarse de que el cable de corriente haga su recorrido por debajo de la unidad.
- De forma lenta, haga circular la unidad dentro de la abertura, asegurándose de no tocar los gabinetes sobre los costados y la parte superior, a fin de evitar daños. Ambas caras de la puerta deberán estar a 7/8" detrás de la cara frontal de los gabinetes circundantes en la instalación de un panel de acero inoxidable o personalizado.



**⚠ ADVERTENCIA**  **Riesgo de Caída**

Estos electrodomésticos son inestables, especialmente cuando una puerta se encuentre abierta, y deben estar asegurados a fin de evitar caídas hacia adelante que podrían resultar en la muerte o en lesiones graves

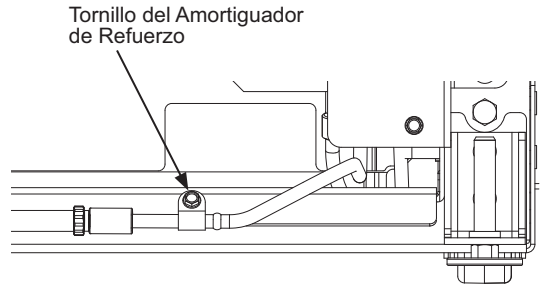
- Coloque el cable de corriente sobre su extremo y empuje el mismo por debajo del producto entre las ruedecillas y lejos del soporte antivoltaduras, a fin de asegurar que el cable no sea dañado durante la instalación.
- Al volver a colocar la unidad en la abertura, usted deberá empujar el cable y tensar el mismo a fin de asegurar que el cable de corriente se encuentre canalizado debajo de la unidad.




# Instrucciones de Instalación - Instalación Estándar Simple

## PASO 7 INSERCIÓN/ AJUSTE DEL BORDE DEL GABINETE (cont.)

- Reemplace el tornillo del amortiguador de refuerzo de la tubería de agua.



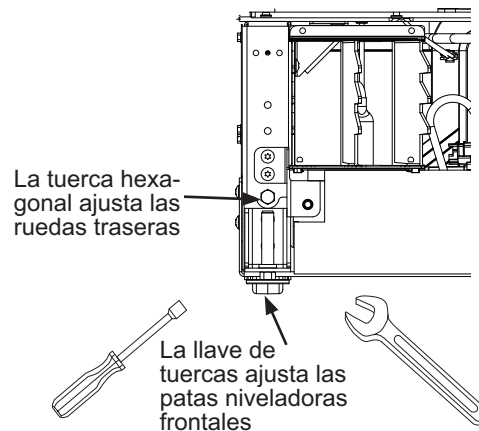
- Guarde la parte sobrante de la correa, de la cuerda, y de la tubería de agua debajo de la unidad.

**⚠ ADVERTENCIA**  **Riesgo de Descarga Eléctrica** Reemplace el amortiguador de refuerzo de la tubería de agua frente a la ubicación del riel, como se muestra.

## PASO 8 NIVELE LA UNIDAD

Todos los modelos cuentan con 4 puntos de nivelación. La parte frontal está apoyada sobre patas niveladoras; la parte trasera está apoyada sobre ruedas ajustables. Es posible acceder a ambas desde la parte frontal de la unidad.

- A fin de nivelar la parte trasera de la unidad, gire la tuerca hexagonal de 7/16" que se encuentra ubicada sobre las ruedas frontales. Gire en dirección de las agujas del reloj para subir la unidad, y en contra de las agujas del reloj para bajar la misma.
- Para nivelar la parte frontal, use una llave de tuercas de 7/16".
- Ajuste la altura de la unidad para que coincida con la abertura del recorte de la instalación de 84". La unidad deberá estar nivelada de forma vertical entre los muebles de cocina. Las ruedas frontales deberán estar alejadas del piso a un mínimo de 1/8" (0.3 cm).

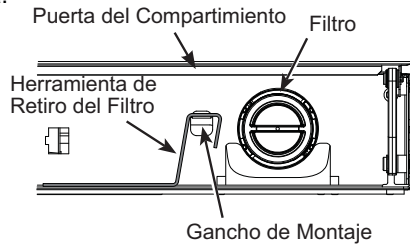


**AVISO:** Las ruedas niveladoras traseras y las patas niveladoras frontales cuentan con un límite de ajuste de altura máxima de 1". Si en la instalación se requiere una altura superior a 84-1/2", el instalador deberá elevar el refrigerador sobre una lámina de contrachapado o tirantes. También se podrá agregar un ajuste a los gabinetes sobre la parte superior de la abertura, a fin de acortar esta última. Si intenta elevar la unidad más de 1", dañará las patas niveladoras frontales y las ruedas niveladoras traseras.

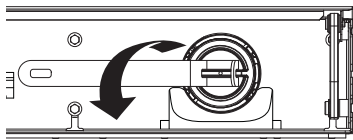
# Instrucciones de Instalación - Instalación Estándar Simple

## PASO 9 PREPARACIÓN FINAL DE LA UNIDAD EXTERNA

- Abra la puerta(s) de la unidad. Ubique el filtro y la herramienta de retiro del filtro. El filtro deberá aparecer como se muestra.



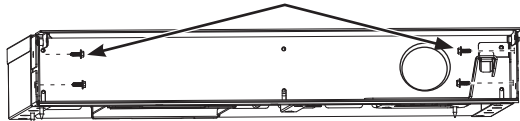
- Dé al filtro ¼ de giro en sentido antihorario (si es necesario, use la herramienta de retiro del filtro).
- Empuje el filtro hacia usted para retirar el mismo.



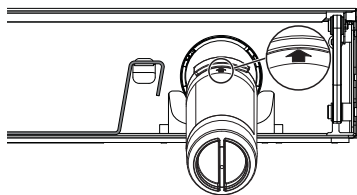
**NOTA:** El sistema de agua no funcionará si el filtro no está ubicado en su posición.

- Haga marcas de agujeros de 1/16" a ambos lados de la profundidad de 1/2" circundante a través de los agujeros de la carcasa.
- Asegure la unidad colocando cuatro agujeros hexagonales de ¼" a ambos lados del gabinete circundante. Use una herramienta de 90 grados o una extensión alternativa. **NOTA:** Este paso NO reemplaza los materiales de seguridad anti volcaduras. Consulte el Paso 4 sobre la Instalación del Soporte Anti Volcaduras y el Paso 7 sobre Inserción/ Ajuste Alrededor del Gabinete para más detalles sobre cómo instalar los materiales anti volcaduras. Para instalaciones duales, repite esto con la segunda unidad.

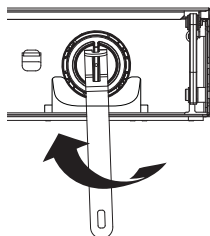
Tornillo Hexagonal de ¼"



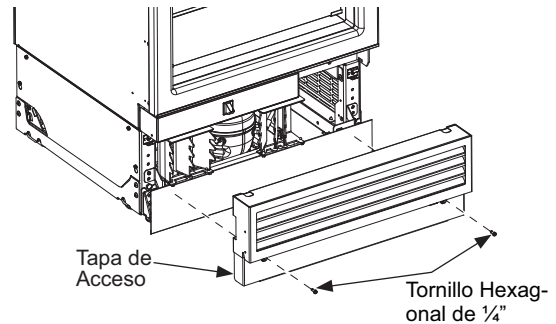
- Ubique la flecha azul del filtro. Gire el filtro para alinear la flecha como se muestra.



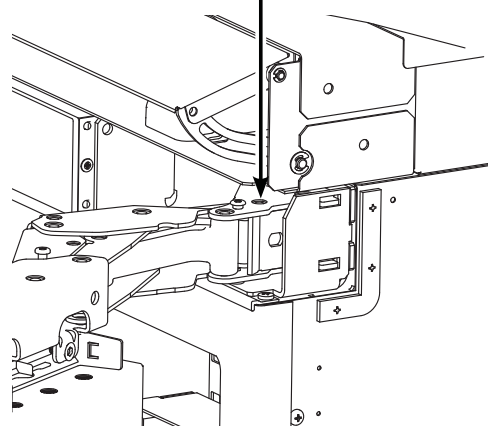
- Inserte el filtro en su posición y dé al mismo ¼ de giro en sentido horario (si es necesario, use la herramienta de retiro del filtro).



- Vuelva a colocar la herramienta de retiro del filtro en el gancho de montaje.
- Cierre la puerta del compartimiento.
- Vuelva a colocar la tapa de acceso en la unidad y asegure la misma con dos tornillos de cabeza hexagonal de ¼".



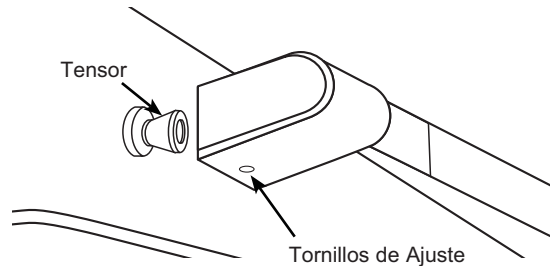
- Si la instalación requiere una apertura de puerta de 90°, el perno(s) limitador de la bisagra se deberá instalar en la bisagra(s) superior ANTES de que la unidad sea retirada de la superficie antideslizante. El perno está ubicado en el kit de materiales.  
- Abra la puerta para exponer el agujero en el soporte de la bisagra trasera e instale el perno limitante. El perno deberá estar completamente colocado en la bisagra o la puerta no se cerrará de forma apropiada.



# Instrucciones de Instalación - Instalación Estándar Simple

## PASO 10 INSTALACIÓN DE LA MANIJA

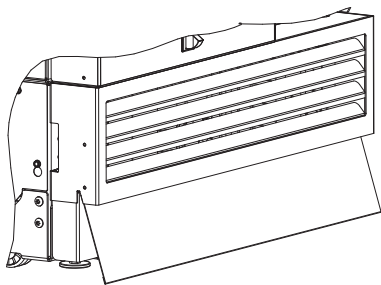
- Asegúrese de que los tornillos de ajuste estén flojos sobre las tapas de la manija. Coloque la manija sobre los tensores de la puerta (recomendamos colocar el lado donde se posiciona el tornillo en la manija hacia el lado menos visible). Asegúrese de sostener la manija de modo tal que no caiga y raye el acabado del electrodoméstico. Asegúrese de que ambas tapas de la manija estén apoyadas sobre la base de la puerta.



- Bloquee un extremo de la manija en su posición, ajustando el tornillo en la tapa de la manija con la llave Allen de 1/8". Asegúrese de no ajustar en exceso.
- Continúe sosteniendo la manija mientras bloquea el otro extremo de la misma en su posición, ajustando el tornillo en la tapa en la manija con la llave Allen de 1/8". Asegúrese de no ajustar en exceso.
- Repita estas instrucciones en todas las demás manijas.

## PASO 11 INSTALACION DEL ZOCALO

- Use el zócalo de acero inoxidable provisto con el Kit de Instalación Estándar Simple ZKW36V. El zócalo y el imán del zócalo que se envían con la unidad no se usarán en este tipo de instalación.
- Posicione el zócalo sobre la parte inferior de las tapas de acceso frontal.



## PASO 12 PREPARACIÓN DE LA UNIDAD INTERNA

- Retire toda la cita, cartón y gomaespuma de cada unidad.
- Retire de los estantes los cestos de puertas en cajas.
- Retire de la caja e instale los cestos de puerta.

## PASO 13 INICIE LA MÁQUINA DE HIELOS

### ⚠ PRECAUCIÓN

Para minimizar el riesgo de lesiones personales, evite el contacto con las partes móviles del mecanismo eyector o con el elemento de calefacción que libera los cubos. No coloque los dedos ni las manos en el mecanismo de la máquina de hielo automática mientras el electrodoméstico se encuentre enchufado.

**Puede llevar entre 12 y 24 horas que un freezer recién instalado comience a fabricar hielo.**

La máquina de hielos producirá siete cubos por ciclo - aproximadamente 15 ciclos en un período de 24 horas - dependiendo de la temperatura del compartimiento del freezer, la temperatura ambiente, la cantidad de veces que se abra la puerta y otras condiciones de uso.

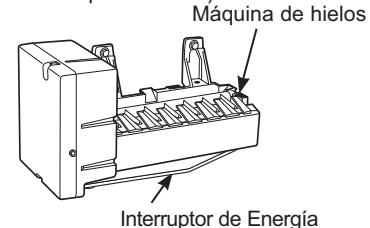
Si el freezer se utiliza antes de realizar la conexión del agua a la máquina de hielos, apague esta última manteniendo presionada la tecla Zone Select (Selección de Área) hasta que aparezca Ice OFF (Hielo Apagado).

Una vez conectada el agua al suministro de agua, encienda la máquina de hielo manteniendo presionada la tecla **Zone Select (Selección de Área)** hasta que se visualice Ice On (Hielo Encendido).

Descarte la primera cubitera de hielo para permitir que el suministro de agua se limpie.

Asegúrese de que nada interfiera con la extensión del interruptor de energía.

(La apariencia puede variar)



Cuando la cubitera se llene hasta el nivel del interruptor de energía, la máquina de hielos dejará de producir hielo.

Es normal que varios de los cubos queden juntos.

Si el hielo no se usa con frecuencia, los cubos de hielo viejos se volverán turbios, con sabor rancio y su tamaño se reducirá.

**NOTA:** La máquina de hielos funciona mejor con una presión hogareña de agua de entre 40 y 120 PSI (275-827 kPa).

# **Instrucciones para una Instalación**

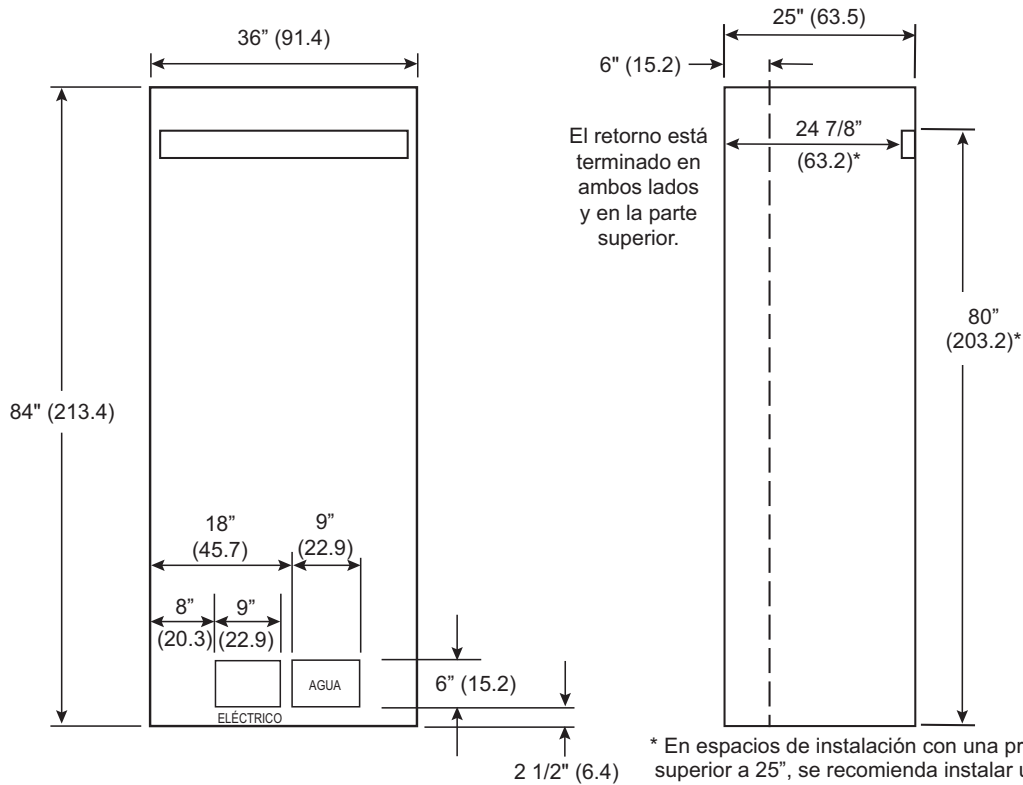
## **Integrada Simple**

**Instalación en una construcción nueva con aberturas de 25”  
de profundidad**

# Guía de Diseño – Instalación Integrada Simple

## ESPACIO DE INSTALACIÓN INTEGRADO SIMPLE

Las dimensiones que aparecen entre paréntesis están expresadas en centímetros.



### Espacios Libres del Producto

Estas unidades están equipadas con un dispositivo de detención de la puerta de 2 posiciones. El giro de la puerta de 115° original de fábrica se podrá ajustar a 90° si el espacio libre hasta los gabinetes adyacentes o paredes es restringido.

Lea la Dim. A en la página 3 para consultar sobre los espacios libres necesarios para el balanceo de puerta.

### Ubicaciones de Agua y Electricidad

Los suministros eléctricos y de agua deberán ser ubicados como se muestra.

### La Profundidad del Recorte Deberá Ser de 25"

### Especificaciones adicionales

- Se requiere un suministro de corriente aparte de 115 voltios, 60Hz., y 15 o 20 amperes para cada producto. Se recomienda el uso de un circuito individual derivado o un disyuntor correctamente conectado a tierra. Instale un receptáculo eléctrico de 3 patas correctamente conectado a tierra en la pared trasera. El receptáculo eléctrico deberá estar ubicado en la pared trasera como se muestra.
- La tubería de agua deberá estar ubicada en la pared trasera, como se muestra. La tubería de agua deberá ser de cobre y tener un diámetro externo de 1/4" o ser del kit QuickConnect™ (WX08X10006) entre la tubería de agua fría y la ubicación de la conexión de agua, siendo lo suficientemente larga como para alcanzar el frente de la unidad (8' [2.4m]). Se requiere la instalación de una válvula de cierre fácilmente accesible en la tubería de agua.
- Se recomienda un retorno finalizado mínimo de 6" (15.2 cm) que coincida con el gabinete exterior en la parte interior sobre todos los laterales y en la parte superior del frente de la abertura.

# Instrucciones de Instalación - Instalación Integrada Simple

## UBICACIÓN DEL REFRIGERADOR/ FREEZER

- No instale el refrigerador/ freezer en lugares donde la temperatura sea inferior a los 55°F (13°C). Éste no funcionará con la frecuencia suficiente como para mantener las temperaturas apropiadas.
- No instale el refrigerador/ freezer en lugares donde la temperatura sea superior a los 100°F (37°C). Éste no funcionará correctamente.
- No instale el refrigerador/ freezer en una ubicación expuesta al agua (lluvia, etc.) o en contacto directo con la luz solar.
- Instale el mismo en un piso lo suficientemente fuerte como para soportarlo completamente cargado.

## HERRAMIENTAS Y MATERIALES NECESARIOS

- Tijeras de podar metálicas (recomendadas)
- Destornillador Phillips nn2
- Destornillador con punta plana
- Espátula (recomendadas)
- Cinta de medición
- Taladro y brocas de 1/16", 5/64", 3/16", 1/2"
- Broca de concreto de 5/32" (si instalará el soporte anti volcaduras en el concreto)
- Destornillador/ ficha de 1/4", 3/8", 7/16"
- Llave de tuercas de 7/16"
- Destornillador/ broca T10, T20, T30
- Destornillador hexagonal de 1/8", 1/4" (llave Allen)
- Nivel
- Válvulas de cierre de agua (opcional pero recomendada)
- Línea de flotación de 8'
- Cinta adhesiva
- Alcohol desinfectante
- 10" Adjustable wrench
- Punzón
- Kits de manijas (si corresponde)
- Small Ratchet 1/4" or 3/8"
- Taladro Angular Derecho de 90° o un extensor de broca con una longitud mínima de 8" y un diámetro de 1/4"

## MATERIALES SUMINISTRADOS (por unidad)

- Soporte Anti volcaduras (cant. de 2)
- Tornillos tirafondos (cant. de 4)
- Tornillos Tapcon (cant. de 3)
- Tornillos Hexagonales de 1/4" (cant. de 4)
- 2 Perno limitadors de bisagra
- Kit de Marcos de Puerta

## CONEXIÓN A TIERRA DE LA UNIDAD

**⚠ ADVERTENCIA**  **Riesgo de Descarga**  
Si no se siguen estas instrucciones, se podrá producir la muerte, incendios o descargas eléctricas.

El cable de corriente de este electrodoméstico cuenta con un enchufe de 3 cables (conexión a tierra) que se conecta a un tomacorriente de pared estándar de 3 cables (conexión a tierra) para minimizar el riesgo de posibles descargas eléctricas por parte del mismo.

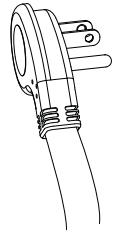
Contrate a un electricista calificado para que controle el tomacorriente y el circuito eléctrico, a fin de asegurar que el enchufe esté correctamente conectado a tierra.

En caso de contar con un tomacorriente de pared de 2 cables, es su responsabilidad y obligación reemplazarlo por un tomacorriente de pared de 3 cables correctamente conectado a tierra.

**NUNCA, BAJO NINGUNA CIRCUNSTANCIA, CORTE NI ELIMINE EL TERCER CABLE (TIERRA) DEL CABLE DE CORRIENTE.**

**NO USE UN ENCHUFE ADAPTADOR PARA CONECTAR EL REFRIGERADOR A UN TOMACORRIENTE DE 2 PATAS.**

**NO USE UN PROLONGADOR CON ESTE ELECTRODOMÉSTICO.**



## PISO

Para una instalación correcta, este producto se deberá ubicar en una superficie nivelada de material duro que posea la misma altura en el resto del piso. Esta superficie deberá ser lo suficientemente fuerte como para resistir el peso de un refrigerador o freezer totalmente cargado, o aproximadamente 1,200 libras por unidad.

**NOTA:** Proteja el acabado del piso..

**NOTA:** No recomendado para instalación en pisos alfombrados.



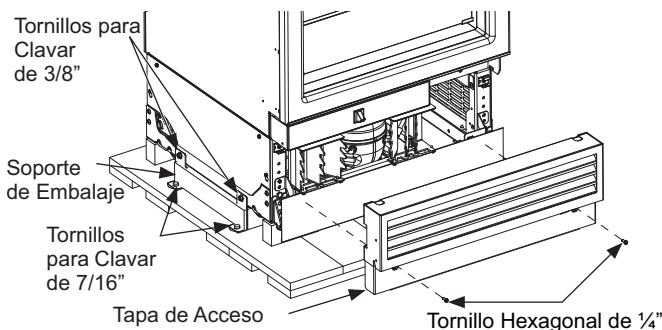
# Instrucciones de Instalación - Instalación Integrada Simple

## PASO 1 RETIRE EL EMBALAJE

### ⚠ ADVERTENCIA Riesgo de Caída.

Este electrodoméstico es inestable. Tenga extremo cuidado al moverlo, a fin de evitar caídas hacia adelante que podrían resultar en la muerte o lesiones graves.

- Retire el cartón externo y el embalaje externo de las unidades.
- En la parte exterior del refrigerador se encuentra una caja de piezas encintada. Esta caja incluye un zócalo para instalaciones integradas simples y partes de la puerta que serán instaladas una vez completados los ajustes del panel de la puerta. Guarde estas partes.
- Controle que no haya daños.
- Asegúrese de que el piso donde las unidades se encuentran apoyadas esté despejado/ libre de escombros que podrían ser arrastrados o pellizcados frente a las ruedas y dañando así el piso. De forma adicional, se recomienda que el piso esté protegido por una cobertura plástica a través del proceso de instalación.
- Retire las manijas desde el interior del compartimiento del refrigerador.
- Retire los kits de materiales que se encuentran ubicados dentro de la unidad.
- Retire la tapa de acceso frontal de la unidad, retirando los dos tornillos de cabeza hexagonal de 1/4". Coloque la tapa y los tornillos al costado para una instalación futura.
- Retire dos tornillos para clavar de 3/8" y dos tornillos para clavar de 7/16" de cada lado de la unidad, a fin de liberar la misma de la superficie antideslizante. Incline la unidad desde el costado lo suficiente como para retirar el material de embalaje de la parte inferior de la unidad, pero sobre la superficie antideslizante (ambos lados).
- CON CUIDADO haga rodar la unidad fuera de la parte trasera de la superficie antideslizante.
- Sostenga la misma sólo de un lado con un carro manual.



## PASO 2 INSTALE EL SUMINISTRO DE AGUA

⚠ ADVERTENCIA Realice la conexión a un suministro de agua potable únicamente. Se requiere un suministro de agua fría para el funcionamiento de la jarra automática. La presión del agua deberá estar entre 40 y 120 p.s.i. (275 – 827 kPa).

### ⚠ ADVERTENCIA PELIGRO DE DESCARGA ELÉCTRICA

Adhiera la abrazadera de la tubería usando el agujero existente únicamente. NO perforo el refrigerador.

#### Cierre el suministro principal de agua.

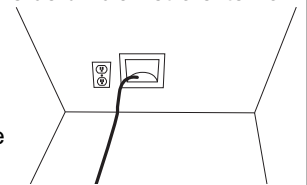
Abra el grifo más cercano durante el tiempo suficiente como para despejar la tubería de agua.

- Se recomienda la instalación de una válvula de cierre entre la válvula de agua y la tubería de agua fría en un sótano o gabinete adyacente. La válvula de cierre deberá ser ubicada donde estará fácilmente accesible.
- Abra el suministro principal de agua y deje correr la suciedad. Deje correr aproximadamente un cuarto de galón de agua a través de la tubería a un balde. Cierre el suministro de agua desde la válvula de cierre.

**NOTA:** Las válvulas de cierre tipo montura no se recomiendan pero están incluidas en muchos kits de suministro de agua. Antes de su adquisición, asegúrese de que la válvula tipo montura cumpla con los códigos de plomería locales.

**NOTA:** Se deberá cumplir con los Códigos de Plomería del Commonwealth de Massachusetts 248CMR. Las válvulas tipo montura son ilegales y su uso está prohibido en Massachusetts. Consulte a un plomero matriculado.

- Haga circular una tubería de cobre de un diámetro externo de 1/4" o SmartConnect™ (WX08X10006) entre el suministro de agua fría de la casa y la ubicación de la conexión de agua en el frente de la unidad.



Los Kits de Tubería para Refrigeradores SmartConnect™ están disponibles. Una tubería de agua de 8' (2.4m) (WX08X10006) es necesaria para cada unidad. La tubería(s) de agua se adherirá al piso usando una cinta adhesiva luego de la instalación del soporte anti volcaduras.

- La tubería deberá ser de una extensión suficiente como para llegar hasta el frente de la unidad. Deje una cantidad de tubería suficiente como para hacer una inclinación que llegue hasta la conexión de la tubería de agua.

**NOTA:** La única tubería plástica aprobada por Café es suministrada en los Kits de Tuberías para Refrigerador de SmartConnect™. No use ningún otro suministro de agua plástico, ya que el suministro se encuentra bajo presión en todo momento. Otros tipos de plásticos podrán sufrir fisuras o roturas con el paso del tiempo y ocasionar problemas con el agua en su hogar.

# Instrucciones de Instalación - Instalación Integrada Simple

## PASO 3 INSTALACIÓN DEL SOPORTES ANTI VOLCADURAS

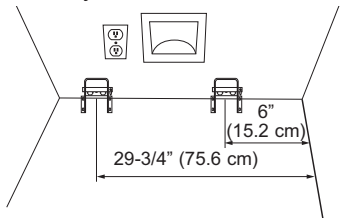
### ⚠ ADVERTENCIA



### Riesgo de

**Caídas** Estos electrodomésticos son inestables, especialmente cuando una puerta se encuentre abierta, y deben estar asegurados a fin de evitar caídas hacia adelante que podrían resultar en la muerte o en lesiones graves. Lea y siga las instrucciones de instalación en su totalidad para asegurar el electrodoméstico con el sistema anti volcaduras.

- Retire el soporte(s) antivolcaduras del kit de materiales.
- Los soportes antivolcaduras se deberán montar contra la pared trasera, a menos que el espacio de protección posea una profundidad superior a 25 1/2" (64.7 cm). Si el espacio de protección posee una profundidad superior a 25 1/2", el soporte antivolcaduras se deberá asegurar al piso de modo que el lado trasero del soporte antivolcaduras quede a 25" desde el frente del espacio de protección (se brinda el material del soporte para realizar el montaje en madera o concreto).
- Realice la medición y marca desde el lado derecho de la



abertura, de acuerdo con las dimensiones mostradas.

- Monte el soporte anti volcaduras centrado en torno a las marcas y la alineación con el piso, como se muestra. Marque los 3 agujeros para el montaje en la pared o los 4 agujeros para el montaje en el piso.

**MONTAJE SOBRE MADERA:** Haga marcas con una broca de 3/16", de 2" de profundidad, y luego instale los tirafondos provistos con un destornillador de 3/8".

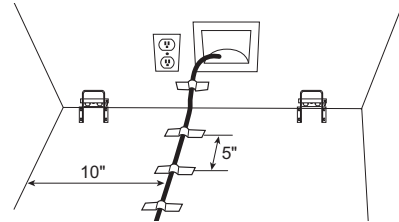
**MONTAJE SOBRE CONCRETO:** Haga marcas con una broca para concreto de 5/32", de 2" de profundidad, y luego instale los tornillos tapcon con una llave de 5/16".

**NOTA:** Para consultas sobre substratos que no figuren más arriba, comuníquese con un contratista con licencia para consultarlo sobre las herramientas apropiadas.

- El soporte deberá ser atornillado al PISO o a la PARED TRASERA.

## PASO 3 INSTALACIÓN DEL SOPORTES ANTI VOLCADURAS(Cont.)

- Enciente la tubería de agua a la pared y el piso, como se muestra a continuación. La tubería de agua deberá estar alejada 10" (25.4 cm) desde la pared adyacente. Coloque cinta aproximadamente cada 5" (12.7 cm) hacia el frente de la unidad. Esto mantendrá alejada la tubería de agua del soporte(s) antivolcaduras y evitará que la unidad gire sobre la tubería de agua durante la instalación. No coloque cinta cerca del frente del gabinete, a fin de mantener la cinta oculta debajo de la unidad.



## PASO 4 CONEXIÓN DEL SUMINISTRO DE AGUA

### ⚠ ADVERTENCIA

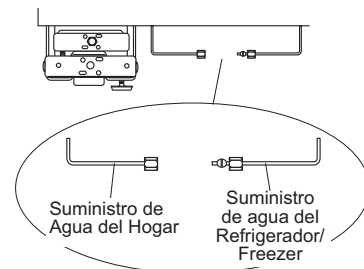
Realice la conexión a un suministro de agua potable únicamente. Se requiere un suministro de agua fría para el funcionamiento de la máquina de hielos automática y de la jarra de llenado automático. La presión del agua deberá estar entre 40 y 120 p.s.i. (275 – 827 kPa).

### ⚠ ADVERTENCIA

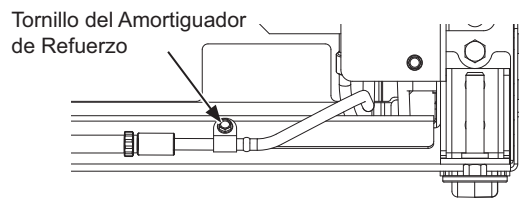


### PELIGRO DE DESCARGA ELÉCTRICA

Adhiera la abrazadera de la tubería usando el agujero existente únicamente. NO perforo el refrigerador.



- Retire el tornillo del amortiguador de refuerzo para que se afloje lo suficiente y poder realizar una adecuada conexión de agua. (El tornillo deberá ser reemplazado en el siguiente paso).



# Instrucciones de Instalación - Instalación Integrada Simple

## PASO 4 CONEXIÓN DEL SUMINISTRO DE AGUA (cont.)

### Tubería de Cobre:

- Coloque una tuerca de 1/4" y una abrazadera de refuerzo sobre ambos extremos de la tubería de cobre. Inserte la tubería en el accesorio de unión con la unidad y ajuste la tuerca a la unión.
- Abra el suministro de agua para controlar que no haya pérdidas.

### Tubería SmartConnect™

**NOTA:** La única tubería plástica aprobada por Café es suministrada en los Kits de Tuberías para Refrigerador de SmartConnect™. No use ningún otro suministro de agua plástico, ya que el suministro se encuentra bajo presión en todo momento. Otros tipos de plásticos podrán sufrir fisuras o roturas con el paso del tiempo y ocasionar problemas con el agua en su hogar.

- Inserte el extremo moldeado de la tubería en la conexión del refrigerador o del freezer. Ajuste la tuerca de compresión hasta que quede fijada sólo con la presión manual.
- Siga las instrucciones provistas con la tubería. ¡Un ajuste excesivo podrá ocasionar pérdidas!
- Abra el suministro de agua para controlar que no haya pérdidas.

## PASO 5 INSERCIÓN/ AJUSTE DEL BORDE DEL GABINETE

- Enchufe ambas unidades en el tomacorriente de la pared.

### ⚠ ADVERTENCIA Riesgo de Descarga Eléctrica

**Eléctrica.** A fin de reducir el riesgo de descarga eléctrica, tenga cuidado en los pasos restantes de la instalación de no tocar el cableado ni los componentes eléctricos dentro del compartimiento del compresor mientras el electrodoméstico está enchufado y la tapa de acceso frontal no está en su lugar.

- Busque la cuerda de instalación que está adherida sobre el frente de la unidad; la misma deberá ser usada a medida que vuelve a empujar la unidad dentro de la abertura. La cuerda está adherida al cable de corriente; a medida que vuelve a colocar la unidad en la abertura, deberá tensar la cuerda para asegurarse de que el cable de corriente haga su recorrido por debajo de la unidad.

## PASO 5 INSERCIÓN/ AJUSTE DEL BORDE DEL GABINETE (cont.)

- Lentamente coloque ambas unidades en la abertura, asegurándose de no tocar los gabinetes a los costados y de detenerse para evitar daños. La cara de la Puerta de Acero Inoxidable deberá estar nivelada con la cara frontal de los gabinetes circundantes.

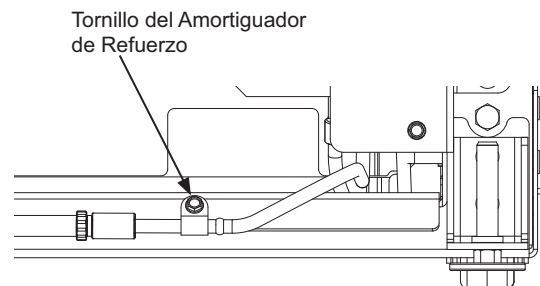
### ⚠ ADVERTENCIA Riesgo de Caída

Estos electrodomésticos son inestables, especialmente cuando una puerta se encuentre abierta, y deben estar asegurados a fin de evitar caídas hacia adelante que podrían resultar en la muerte o en lesiones graves

- Coloque el cable de corriente sobre su extremo y empuje el mismo por debajo del producto entre las ruedecillas y lejos del soporte antivolcaduras, a fin de asegurar que el cable no sea dañado durante la instalación.
- Al volver a colocar la unidad en la abertura, usted deberá empujar el cable y tensar el mismo a fin de asegurar que el cable de corriente se encuentre canalizado debajo de la unidad.



- Reemplace el tornillo del amortiguador de refuerzo de la tubería de agua.



### ⚠ ADVERTENCIA Riesgo de Descarga Eléctrica

**Eléctrica** Reemplace el amortiguador de refuerzo de la tubería de agua frente a la ubicación del riel, como se muestra.

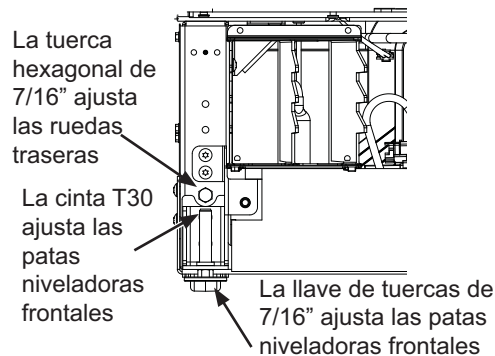
- Guarde la parte sobrante de la cuerda y de la tubería de agua debajo de la unidad.

# Instrucciones de Instalación - Instalación Integrada Simple

## PASO 6 NIVELE LA UNIDAD

Todos los modelos cuentan con 4 puntos de nivelación. La parte frontal está apoyada sobre patas niveladoras; la parte trasera está apoyada sobre ruedas ajustables. Es posible acceder a ambas desde la parte frontal de la unidad.

- A fin de nivelar la parte trasera de la unidad, gire la tuerca hexagonal de 7/16" que se encuentra ubicada sobre las ruedas frontales. Gire en dirección de las agujas del reloj para subir la unidad, y en contra de las agujas del reloj para bajar la misma.
- Para una nivelación frontal, use un poco de T-30 en la parte superior de la pata niveladora o una llave de tuercas de 7/16" en la parte inferior de la pata niveladora.
- Ajuste la altura de la unidad para que coincida con la abertura del recorte de la instalación de 84". La unidad deberá estar nivelada de forma vertical entre los muebles de cocina. Las ruedas frontales deberán estar a un mínimo de 1/8" (0.3 cm) fuera del piso.



**AVISO:** Las ruedas niveladoras traseras y las patas niveladoras frontales cuentan con un límite de ajuste de altura máxima de 1". Si en la instalación se requiere una altura superior a 84-1/2", el instalador deberá elevar el refrigerador sobre una lámina de contrachapado o tirantes. También se podrá agregar un ajuste a los gabinetes sobre la parte superior de la abertura, a fin de acortar esta última. Si intenta elevar la unidad más de 1", dañará las patas niveladoras frontales y las ruedas niveladoras traseras.

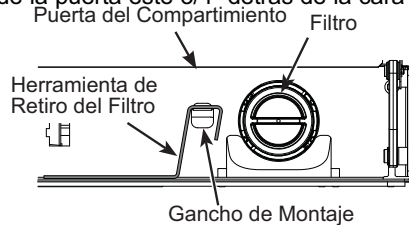
## PASO 7 Instale los Marcos de la Puerta

Asegúrese de que los soportes antivolcaduras estén adheridos a la parte trasera de la unidad.

Para más detalles, consulte la Sección de Ajustes del Panel de la Puerta y la Instalación de los Marcos.

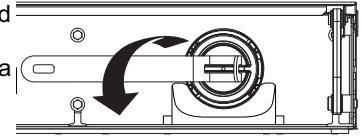
**PARA UNA INSTALACIÓN AL MISMO NIVEL:** Asegúrese de que la superficie frontal de la puerta esté 3/4" detrás de la cara frontal de los gabinetes circundantes ANTES de asegurar los soportes a dichos gabinetes.

- Abra la tapa frontal de la carcasa a 90°. Ubique el filtro y la herramienta de retiro del filtro. El filtro deberá aparecer como se muestra.
- Dé al filtro 1/4 de giro en sentido antihorario (si es necesario, use la herramienta de retiro del filtro).



## PASO 8 PREPARACIÓN FINAL DE LA UNIDAD EXTERNA (Cont.)

- Empuje el filtro hacia usted para retirar el mismo. **NOTA:** El sistema de agua no funcionará si el filtro no está ubicado en su posición.
- Haga marcas de agujeros de 1/16" a ambos lados de la profundidad de 1/2" circundante a través de los agujeros de la carcasa.

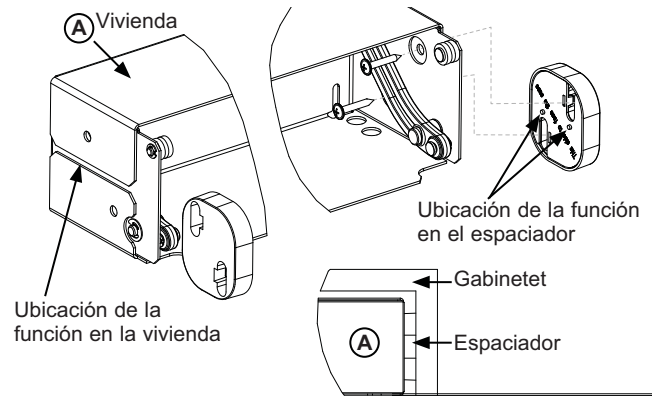


### CAUTION

Use guantes y protectores de brazos al instalar los espaciadores.

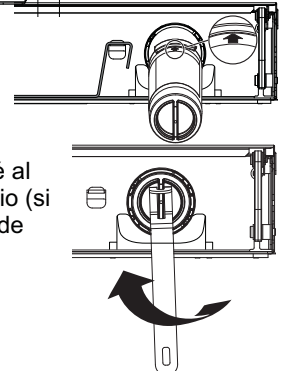
- Asegure la unidad a los gabinetes circundantes usando los espaciadores y los tornillos Phillips de 1" provistos con la unidad. En modelos con Puerta Simple: Asegure el lado de la manija antes de mover el lateral de la bisagra. En los Modelos con Puerta Francesa, abra una puerta y asegure ese lado antes de pasar al otro lado.
- Abra la puerta hasta su extensión total y pase el brazo a través de la abertura entre la puerta y la carcasa para alinear los espaciadores. Deslice los espaciadores hasta su posición usando las funciones de alineación sobre el espaciador y la parte lateral de la carcasa (A) hasta que los orificios de los tornillos del espaciador y los orificios de los tornillos de la carcasa estén alineados. Coloque los tornillos con cabeza Phillips a través de la carcasa en los gabinetes circundantes.

**NOTA:** Este paso NO reemplaza los materiales de seguridad antivolcaduras. Consulte el Paso 3 sobre la Instalación del Soporte Antivolcaduras y el Paso 5 sobre Inserción/ Ajuste Alrededor del Gabinete para más detalles sobre cómo instalar



los materiales antivolcaduras.

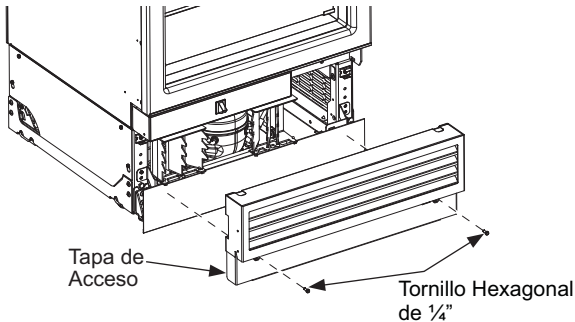
- Ubique la flecha azul del filtro. Gire el filtro para alinear la flecha como se muestra.
- Inserte el filtro en su posición y dé al mismo 1/4 de giro en sentido horario (si es necesario, use la herramienta de retiro del filtro).
- Vuelva a colocar la herramienta de retiro del filtro en el gancho de montaje.



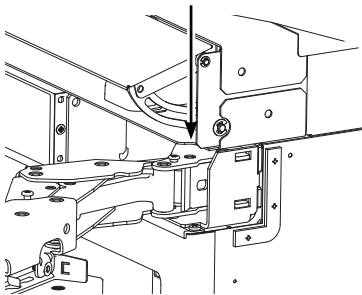
# Instrucciones de Instalación - Instalación Integrada Simple

## PASO 8 PREPARACIÓN FINAL DE LA UNIDAD EXTERNA (Cont.)

- Cierre la puerta del compartimento.
- Vuelva a colocar la tapa de acceso en la unidad y asegure la misma con dos tornillos de cabeza hexagonal de 1/4".

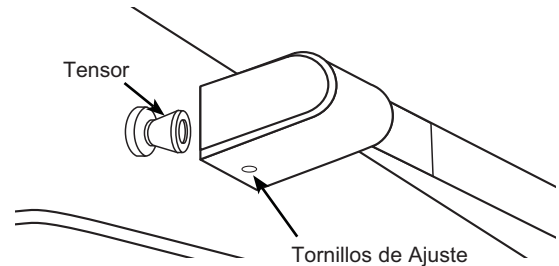


- Si la instalación requiere una apertura de puerta de 90°, el perno(s) limitador de la bisagra se deberá instalar en la bisagra(s) superior ANTES de que la unidad sea retirada de la superficie antideslizante. El perno está ubicado en el kit de materiales.  
- Abra la puerta para exponer el agujero en el soporte de la bisagra trasera e instale el perno limitante. El perno deberá estar completamente colocado en la bisagra o la puerta no se cerrará de forma apropiada.



## PASO 9 INSTALACIÓN DE LA MANIJA

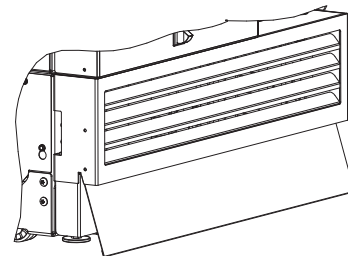
- Asegúrese de que los tornillos de ajuste estén flojos sobre las tapas de la manija. Coloque la manija sobre los tensores de la puerta (recomendamos colocar el lado donde se posiciona el tornillo en la manija hacia el lado menos visible). Asegúrese de sostener la manija de modo tal que no caiga y raye el acabado del electrodoméstico. Asegúrese de que ambas tapas de la manija estén apoyadas sobre la base de la puerta.



- Bloquee un extremo de la manija en su posición, ajustando el tornillo en la tapa de la manija con la llave Allen de 1/8". Asegúrese de no ajustar en exceso.
- Continúe sosteniendo la manija mientras bloquea el otro extremo de la misma en su posición, ajustando el tornillo en la tapa en la manija con la llave Allen de 1/8". Asegúrese de no ajustar en exceso.
- Repita estas instrucciones en todas las demás manijas.

## PASO 10 INSTALACIÓN DEL ZÓCALO

- Se incluyen un zócalo de acero inoxidable y un imán en la caja de partes que fue encintada sobre el lateral de la unidad.
- Adhiera el imán al lado trasero del zócalo. La superficie del zócalo sobre la cual se colocará el imán deberá estar limpia y libre de materiales extraños. Centre el imán de forma vertical y horizontal.
- Posicione el zócalo sobre la parte inferior de la tapa de acceso frontal.



## PASO 11 PREPARACIÓN DE LA UNIDAD INTERNA

- Retire toda la cinta, cartón y gomaespuma de cada unidad.
- Retire de los estantes los cestos de puertas en cajas.
- Retire de la caja e instale los cestos de puerta.



# Instrucciones de Instalación - Instalación Integrada Simple

## PASO 12 INICIE LA MÁQUINA DE HIELOS

### ⚠PRECAUCIÓN

Para minimizar el riesgo de lesiones personales, evite el contacto con las partes móviles del mecanismo eyector o con el elemento de calefacción que libera los cubos. No coloque los dedos ni las manos en el mecanismo de la máquina de hielo automática mientras el electrodoméstico se encuentre enchufado.

**Puede llevar entre 12 y 24 horas que un freezer recién instalado comience a fabricar hielo.**

La máquina de hielos producirá siete cubos por ciclo - aproximadamente 15 ciclos en un período de 24 horas - dependiendo de la temperatura del compartimiento del freezer, la temperatura ambiente, la cantidad de veces que se abra la puerta y otras condiciones de uso.

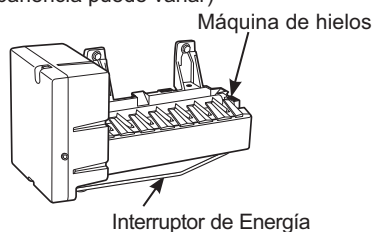
Si el freezer se utiliza antes de realizar la conexión del agua a la máquina de hielos, apague esta última manteniendo presionada la tecla **Zone Select (Selección de Área)** hasta que aparezca Ice OFF (Hielo Apagado).

Una vez conectada el agua al suministro de agua, encienda la máquina de hielo manteniendo presionada la tecla **Zone Select (Selección de Área)** hasta que se visualice Ice On (Hielo Encendido).

Descarte la primera cubitera de hielo para permitir que el suministro de agua se limpie.

Asegúrese de que nada interfiera con la extensión del interruptor de energía.

(La apariencia puede variar)



Cuando la cubitera se llene hasta el nivel del interruptor de energía, la máquina de hielos dejará de producir hielo.

Es normal que varios de los cubos queden juntos.

Si el hielo no se usa con frecuencia, los cubos de hielo viejos se volverán turbios, con sabor rancio y su tamaño se reducirá.

**NOTA:** La máquina de hielos funciona mejor con una presión hogareña de agua de entre 40 y 120 PSI (275-827 kPa).

# **Instrucciones para la Instalación Estándar Dual**

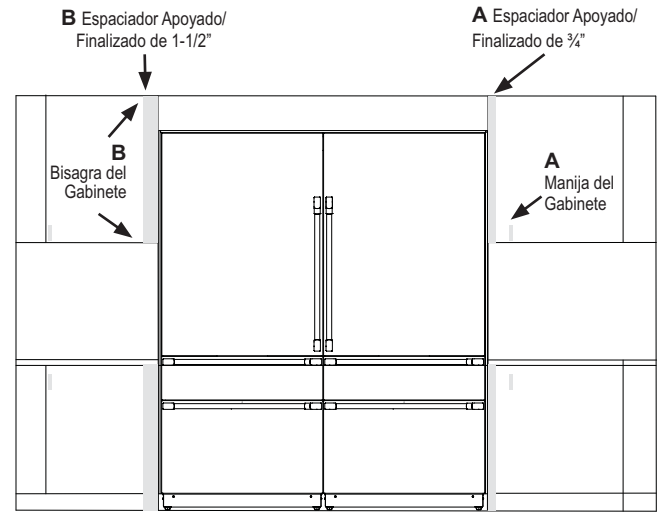
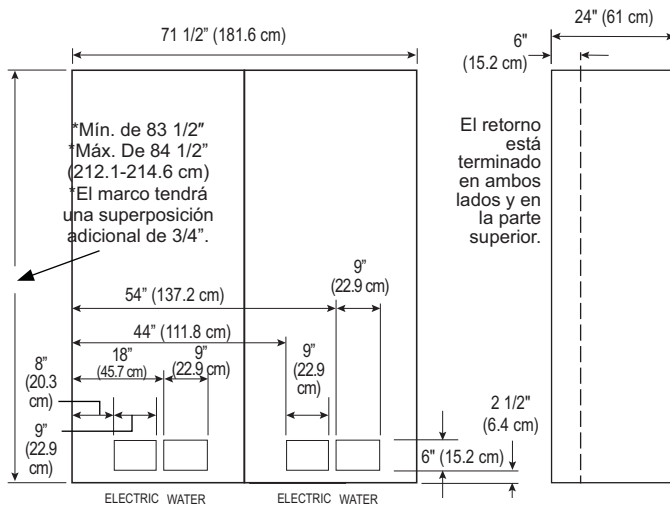
**Instalación en una construcción existente con aberturas profundas de 24" de un ancho 71 1/2"**



# Guía de Diseño – Instalación Estándar Dual

## ESPACIO DE INSTALACIÓN ESTÁNDAR DUAL

Las dimensiones que aparecen entre paréntesis están expresadas en centímetros.



### Para Recortes de 24” de Profundidad-

Es necesario un kit de marcos (ZKW72V) para las instalaciones estándares.

Kit ZKMV de Unificación de Calefacción requerido.

### Ubicaciones de Agua y Electricidad

En el diagrama se muestra la ubicación recomendada para la electricidad. Si la ubicación de la electricidad está más arriba de lo que se muestra, use los cables de corriente provistos con el kit del marco (ZKW72V). Siga las instrucciones del paso 6 para cambiar el cable de corriente.

El suministro de agua se deberá ubicar como se muestra.

### Espacios Libres del Producto

Estas unidades están equipadas con un dispositivo de detención de la puerta de 2 posiciones. El giro de la puerta de 115° original de fábrica se podrá ajustar a 90° si el espacio libre hasta los gabinetes adyacentes o paredes es restringido.

Lea la Dim. A en la página 3 para consultar sobre los espacios libres necesarios para el balanceo de puerta.

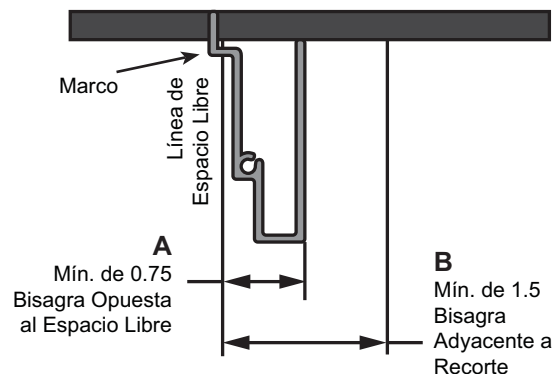
### Especificaciones adicionales

- Se requiere un suministro de corriente aparte de 115 voltios, 60Hz., y 15 o 20 amperes para cada producto. Se recomienda el uso de un circuito individual derivado o un disyuntor correctamente conectado a tierra. Instale un receptáculo eléctrico de 3 patas correctamente conectado a tierra en la pared trasera. El receptáculo eléctrico deberá estar ubicado en la pared trasera como se muestra.
- La tubería de agua deberá estar ubicada en la pared trasera, como se muestra. La tubería de agua deberá ser de cobre y tener un diámetro externo de 1/4” o ser del kit QuickConnect™ (WX08X10006) entre la tubería de agua fría y la ubicación de la conexión de agua, siendo lo suficientemente larga como para alcanzar el frente de la unidad (8’ [2.4m]). Se requiere la instalación de una válvula de cierre fácilmente accesible en la tubería de agua.

- Se recomienda un retorno finalizado mínimo de 3 1/2” que coincida con el gabinete exterior en la parte interna sobre todos los laterales y la parte superior del frente de la abertura.

### Dimensiones de los Espacios Libres Mínimos con los marcos Instalados

- Descanso de 3/4” necesario para el extremo adyacente de la puerta/ cajón del gabinete con bisagra opuesto al espacio libre
- Descanso de 1 1/2” necesario para el extremo de la puerta/ cajón del gabinete con bisagra adyacente al espacio libre.



- Opción de espacio libre con la Manija del Gabinete junto al marco. Espacio libre de apoyo mínimo de 3/4” (Coincidiendo con el Acabado del Gabinete) necesario desde la abertura del espacio libre para el Marco Estándar.
- Opción de espacio libre con la bisagra del Gabinete junto al marco. Espacio libre de apoyo mínimo de 1 1/2” (Coincidiendo con el Acabado del Gabinete) necesario desde la abertura del espacio libre para el Marco Estándar, para despejar las bisagras de las puertas de los gabinetes.

# Instrucciones de Instalación - Instalación Estándar Dual

## UBICACIÓN DEL REFRIGERADOR/ FREEZER

- No instale el refrigerador/ freezer en lugares donde la temperatura sea inferior a los 55°F (13°C). Éste no funcionará con la frecuencia suficiente como para mantener las temperaturas apropiadas.
- No instale el refrigerador/ freezer en lugares donde la temperatura sea superior a los 100°F (37°C). Éste no funcionará correctamente.
- No instale el refrigerador/ freezer en una ubicación expuesta al agua (lluvia, etc.) o en contacto directo con la luz solar.
- Instale el mismo en un piso lo suficientemente fuerte como para soportarlo completamente cargado.

## HERRAMIENTAS Y MATERIALES NECESARIOS

- Tijeras de podar metálicas (recomendadas)
- Destornillador Phillips nn2
- Destornillador con punta plana
- Espátula (recomendadas)
- Cinta de medición
- Taladro y brocas de 1/16", 5/64", 3/16", 1/2"
- Broca de concreto de 5/32" (si instalará el soporte anti volcaduras en el concreto)
- Destornillador/ ficha de 1/4", 3/8", 7/16"
- Llave de tuercas de 7/16"
- Destornillador/ broca T10, T20, T30
- Destornillador hexagonal de 1/8", 1/4" (llave Allen)
- Nivel
- Válvulas de cierre de agua (opcional pero recomendada)
- Línea de flotación de 8' (una por unidad requiriendo conexiones domésticas de agua)
- Cinta adhesiva
- Alcohol desinfectante
- Llave ajustable de 10"
- Punzón
- Kit de Unificación del Calentador (ZKMV) (para instalación dual únicamente)
- Kits de manijas (si corresponde)
- Llave de Tubo Pequeña de 1/4" o 3/8"
- Kit de Marcos Estándar (ZKW72V)
- Zócalo de Acero Inoxidable (si corresponde)
- Taladro Angular Derecho de 90° o un extensor de broca con una longitud mínima de 8" y un diámetro de 1/4"

## MATERIALES SUMINISTRADOS (por unidad)

- Soporte Anti volcaduras (cant. de 2)
- Tornillos tirafondos
- Tornillos Tapco
- Tornillos Hexagonales de 1/4"
- Kit de Materiales para Puerta

## CONEXIÓN A TIERRA DE LA UNIDAD

**⚠ ADVERTENCIA**  **Riesgo de Descarga**  
Si no se siguen estas instrucciones, se podrá producir la muerte, incendios o descargas eléctricas.

El cable de corriente de este electrodoméstico cuenta con un enchufe de 3 cables (conexión a tierra) que se conecta a un tomacorriente de pared estándar de 3 cables (conexión a tierra) para minimizar el riesgo de posibles descargas eléctricas por parte del mismo.

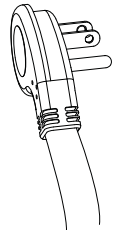
Contrate a un electricista calificado para que controle el tomacorriente y el circuito eléctrico, a fin de asegurar que el enchufe esté correctamente conectado a tierra.

En caso de contar con un tomacorriente de pared de 2 cables, es su responsabilidad y obligación reemplazarlo por un tomacorriente de pared de 3 cables correctamente conectado a tierra.

**NUNCA, BAJO NINGUNA CIRCUNSTANCIA, CORTE NI ELIMINE EL TERCER CABLE (TIERRA) DEL CABLE DE CORRIENTE.**

**NO USE UN ENCHUFE ADAPTADOR PARA CONECTAR EL REFRIGERADOR A UN TOMACORRIENTE DE 2 PATAS.**

**NO USE UN PROLONGADOR CON ESTE ELECTRODOMÉSTICO.**



## PISO

Para una instalación correcta, este producto se deberá ubicar en una superficie nivelada de material duro que posea la misma altura en el resto del piso. Esta superficie deberá ser lo suficientemente fuerte como para resistir el peso de un refrigerador o freezer totalmente cargado, o aproximadamente 1,200 libras por unidad.

**NOTA:** Proteja el acabado del piso..

**NOTA:** No recomendado para instalación en pisos alfombrados.

# Instrucciones de Instalación - Instalación Estándar Dual

## PIEZAS SUMINISTRADAS DEL KIT ZKMV:

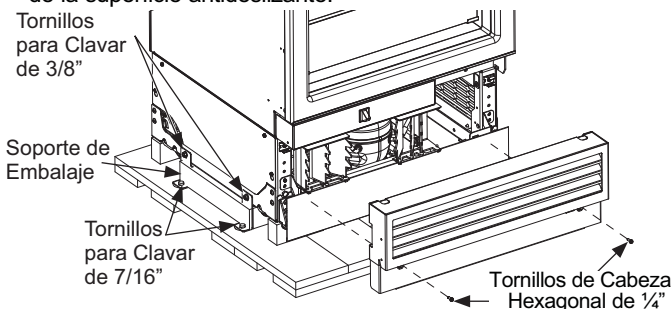
Calentador Adhesivo  
Transformador  
Parteluz Frontal  
Soporte con Terminación  
Soporte de Unificación Superior  
Soporte de Unificación Frontal Inferior  
Soporte de Unificación Inferior Trasero  
Tornillos Largos de Cabeza Hexagonal 8-18 5/8" de 3 1/4"  
Tornillos Largos de Cabeza Hexagonal 8-32 5/8" de 5 1/4"  
Tornillos Largos de Cabeza Hexagonal 1/4-20 1/2" de 3 3/8"  
4 ganchos para cables

## PASO 1 RETIRE EL EMBALAJE

### ⚠ ADVERTENCIA Riesgo de Caída.

Este electrodoméstico es inestable. Tenga extremo cuidado al moverlo, a fin de evitar caídas hacia adelante que podrían resultar en la muerte o lesiones graves.

- Retire el cartón externo y el embalaje externo de las unidades.
- En la parte exterior del refrigerador se encuentra una caja de piezas encintada. Esta caja incluye un zócalo para instalaciones integradas simples y partes de la puerta que serán instaladas una vez completados los ajustes del panel de la puerta. Guarde estas partes.
- Controle que no haya daños.
- Asegúrese de que el piso donde las unidades se encuentran apoyadas esté despejado/ libre de escombros que podrían ser arrastrados o pellizcados frente a las ruedas y dañando así el piso. De forma adicional, se recomienda que el piso esté protegido por una cobertura plástica a través del proceso de instalación.
- Retire las manijas desde el interior del compartimiento del refrigerador.
- Retire los kits de materiales que se encuentran ubicados dentro de la unidad.
- Retire la tapa de acceso frontal de la unidad, retirando los dos tornillos de cabeza hexagonal de 1/4". Coloque la tapa y los tornillos al costado para una instalación futura.
- Retire dos tornillos para clavar de 3/8" y dos tornillos para clavar de 7/16" de cada lado de la unidad, a fin de liberar la misma de la superficie antideslizante. Inclíne la unidad desde el costado lo suficiente como para retirar el material de embalaje de la parte inferior de la unidad, pero sobre la superficie antideslizante (ambos lados).
- **CON CUIDADO** haga rodar la unidad fuera de la parte trasera de la superficie antideslizante.



- Sustenga la misma sólo de un lado con un carro manual.

## PASO 2 INSTALE EL SUMINISTRO DE AGUA

**⚠ ADVERTENCIA** Realice la conexión a un suministro de agua potable únicamente. Se requiere un suministro de agua fría para el funcionamiento de la jarra automática. La presión del agua deberá estar entre 40 y 120 p.s.i. (275 – 827 kPa).

### ⚠ ADVERTENCIA PELIGRO DE DESCARGA ELÉCTRICA

Adhiera la abrazadera de la tubería usando el agujero existente únicamente. NO perforo el refrigerador.

### Cierre el suministro principal de agua.

Abra el grifo más cercano durante el tiempo suficiente como para despejar la tubería de agua.

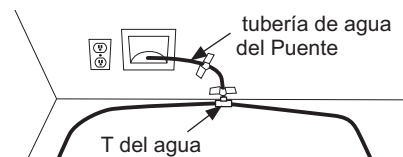
- Se recomienda la instalación de una válvula de cierre entre la válvula de agua y la tubería de agua fría en un sótano o gabinete adyacente. **La válvula de cierre deberá ser ubicada donde estará fácilmente accesible.**
- Abra el suministro principal de agua y deje correr la suciedad. Deje correr aproximadamente un cuarto de galón de agua a través de la tubería a un balde. Cierre el suministro de agua desde la válvula de cierre.

**NOTA:** Las válvulas de cierre tipo montura no se recomiendan pero están incluidas en muchos kits de suministro de agua. Antes de su adquisición, asegúrese de que la válvula tipo montura cumpla con los códigos de

**NOTA:** Se deberá cumplir con los Códigos de Plomería del Commonwealth de Massachusetts 248CMR. Las válvulas tipo montura son ilegales y su uso está prohibido en Massachusetts. Consulte a un plomero matriculado.

plomera locales.

- Conecte la tubería de agua del puente del Kit de Instalación Estándar ZKW72V en la tubería de agua fría del hogar. Ajuste la tuerca de compresión de forma manual, y luego dé un giro adicional con una llave. ¡Un ajuste excesivo podrá ocasionar pérdidas!
- Conecte el otro extremo de la tubería de agua del puente al accesorio en T del agua suministrado en el Kit de Instalación Estándar ZKW72V. Ajuste la tuerca de compresión de forma manual, y luego dé un giro adicional con una llave. ¡Un ajuste excesivo podrá ocasionar pérdidas!



- Haga circular una tubería de cobre de un diámetro externo de 1/4" o una tubería plástica SmartConnect™ (WX08X10006) entre el accesorio en T del agua y la ubicación de la conexión de agua en el frente de cada unidad.

# Instrucciones de Instalación - Instalación Estándar Dual

## PASO 2 INSTALE EL SUMINISTRO DE AGUA (Cont.)

- La tubería deberá ser de una extensión suficiente como para llegar hasta el frente de la unidad. Deje una cantidad de tubería suficiente como para hacer una inclinación que llegue hasta la conexión de la tubería de agua.

**NOTA:** La única tubería plástica aprobada por Café es suministrada en los Kits de Tuberías para Refrigerador de SmartConnect™. No use ningún otro suministro de agua plástico, ya que el suministro se encuentra bajo presión en todo momento. Otros tipos de plásticos podrán sufrir fisuras o roturas con el paso del tiempo y ocasionar problemas con el agua en su hogar.

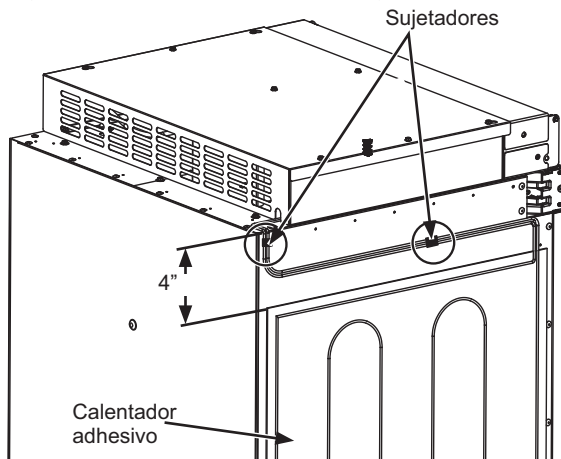
- Enciente la tubería de agua del puente y el accesorio en T del agua a la pared trasera. Las tuberías de agua deben ser encintadas al piso usando una cinta adhesiva luego de la instalación del soporte anti volcaduras.

## PASO 3 PREPARACIÓN DE LA UNIDAD PARA SU INSTALACIÓN - INSTALACIÓN DUAL

- Desembale el Kit de Unificación (ZKMV) de calefacción y asegúrese de que los componentes de la lista estén incluidos.

**NOTA:** Asegúrese de que el cable de conexión del calentador esté direccionado hacia la parte superior de la unidad al ser instalado.

- Coloque la unidad con apertura del lado derecho frente a la apertura de instalación, de modo que la unidad se encuentre frente a la ubicación de instalación esperada.
- Instale el calentador adhesivo en la parte exterior de la unidad, hacia el lado izquierdo de la carcasa. Instale el calentador 4" por debajo de la parte superior de la carcasa. El calentador deberá estar centrado del frente hacia atrás sobre la caja metálica.
- Use sujetadores para adherir el cable suelto de forma ajustada en el lateral de la carcasa, como se muestra. Limpie el lateral con alcohol desinfectante, a fin de asegurar la correcta adhesión del sujetador

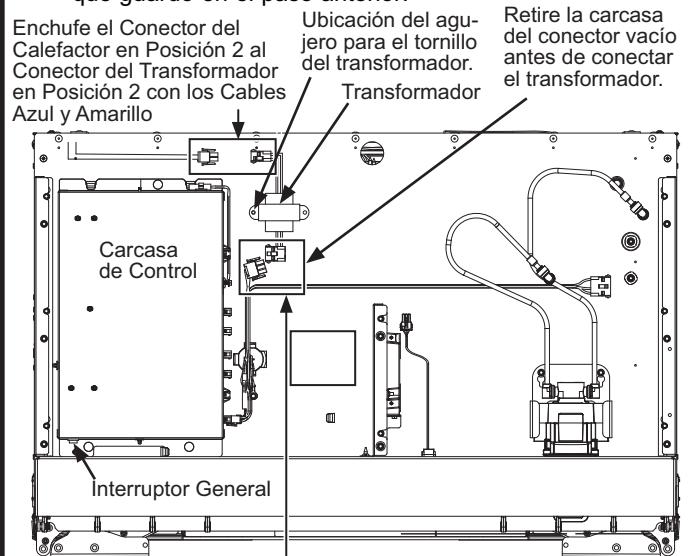


**REMARQUE :** L'installation de l'élément chauffant est possible seulement à la gauche des modèles compatibles.

## PASO 3 PREPARACIÓN DE LA UNIDAD PARA SU INSTALACIÓN - INSTALACIÓN DUAL (cont.)

**ADVERTENCIA**  **Riesgo de Descarga**  
Si no se siguen estas instrucciones, se podrá producir la muerte, incendios o descargas eléctricas.

- Instale el transformador en el ensamble de la parte superior de la carcasa:
  - Retire la parte superior de la tapa retirando los tornillos hexagonales n° 8 y guarde los mismos para volver a ensamblar la parte superior de la tapa.
  - Coloque el transformador provisto del kit ZKMV en la parte superior de la carcasa. Asegure el transformador con un tornillo hexagonal (1/4") a la parte superior de la carcasa, usando el agujero existente sobre el lado derecho trasero de la carcasa de control superior.
  - Conecte el conector del transformador de 2 clavijas al conector del calentador, y el conector de 3 clavijas al panel de control, y asegúrese de que las lengüetas de bloqueo queden ajustadas.
  - NOTA:** Verifique que el interruptor general esté activado.
  - Ensamble la parte superior de la tapa con los tornillos que guardó en el paso anterior.



Enchufe el Conector del Transformador en Posición 3 con los Cables Azul y Blanco al Conector con Arnés en Posición 3 con los Cables Marrón y Naranja

El ensamble adjunto que aparece más arriba se muestra con la tapa retirada.

# Instrucciones de Instalación - Instalación Estándar Dual

## PASO 4 INSTALACIÓN DEL SOPORTE ANTI VOLCADURAS

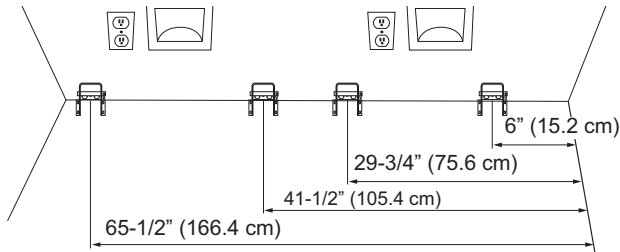
### ⚠ ADVERTENCIA



### Riesgo de

**Caídas** Estos electrodomésticos son inestables, especialmente cuando una puerta se encuentre abierta, y deben estar asegurados a fin de evitar caídas hacia adelante que podrían resultar en la muerte o en lesiones graves. Lea y siga las instrucciones de instalación en su totalidad para asegurar el electrodoméstico con el sistema anti volcaduras.

- Retire el soporte anti volcaduras del kit de materiales.
- Asegure los soportes antivolcaduras al piso, de modo que el lado trasero del soporte antivolcaduras sea de 22 5/8" (57.5 cm) desde el frente del espacio de protección (se brinda el material del soporte para el montaje en madera o concreto).
- Realice la medición y marca desde el lado derecho de la abertura, de acuerdo con las dimensiones mostradas.



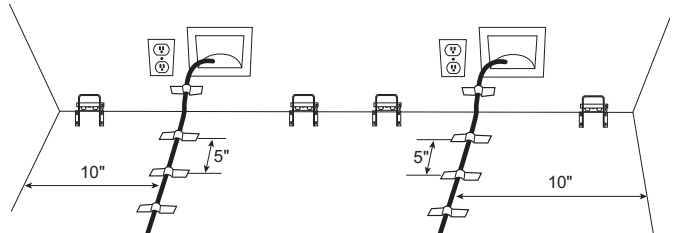
- Monte el soporte anti volcaduras centrado en torno a las marcas y la alineación con el piso, como se muestra. Marque los 3 agujeros para el montaje en la pared o los 4 agujeros para el montaje en el piso.

**MONTAJE SOBRE MADERA:** Haga marcas con una broca de 3/16", de 2" de profundidad, y luego instale los tirafondos provistos con un destornillador de 3/8".

**MONTAJE SOBRE CONCRETO:** Haga marcas con una broca para concreto de 5/32", de 2" de profundidad, y luego instale los tornillos tapcon con una llave de 5/16".

**NOTA:** Para consultas sobre substratos que no figuren más arriba, comuníquese con un contratista con licencia para consultarlo sobre las herramientas apropiadas.

- El soporte deberá ser atornillado al PISO o a la PARED TRASERA.
- Encinte la tubería de agua a la pared y el piso, como se muestra a continuación. La tubería de agua deberá estar alejada 10" (25.4 cm) desde la pared adyacente. Coloque cinta aproximadamente cada 5" (12.7 cm) hacia el frente de la unidad. Esto mantendrá alejada la tubería de agua del soporte(s) antivolcaduras y evitará que la unidad gire sobre la tubería de agua durante la instalación. No coloque cinta cerca del frente del gabinete, a fin de mantener la cinta oculta debajo de la unidad.



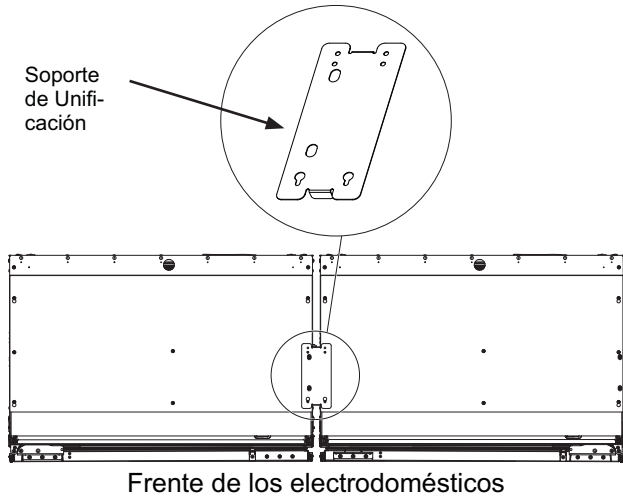


# Instrucciones de Instalación - Instalación Estándar Dual

## PASO 5 UNIENDO LAS UNIDADES DUALES INSTALADAS

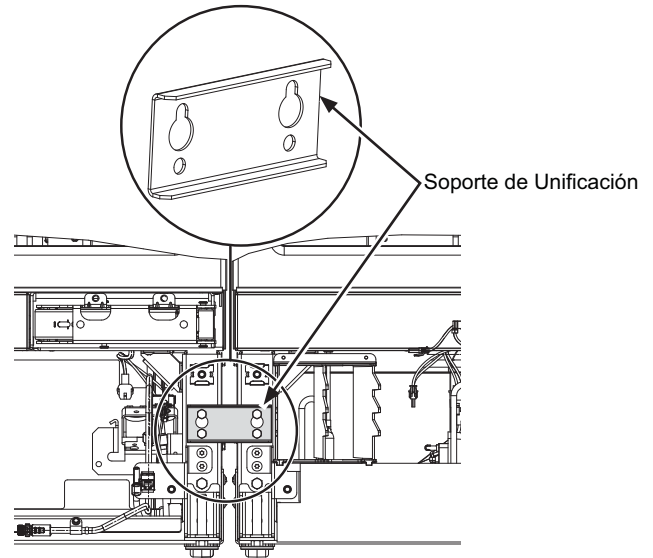
### UNIFICACIÓN SUPERIOR

- Afloje los dos tornillos intermedios, y retire los dos tornillos traseros.
- Ensamble el soporte sobre los tornillos intermedios y vuelva a ensamblar los tornillos traseros.
- Ajuste los tornillos para unir las unidades.



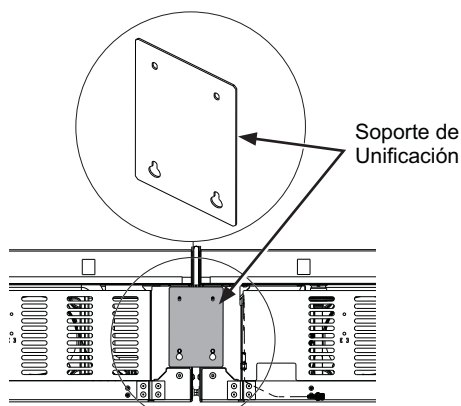
### UNIFICACIÓN DE LA PARTE FRONTAL INFERIOR

- Instale el soporte de unificación frontal inferior usando un destornillador de 3/8" (4 tornillos).



### UNIFICACIÓN DE LA PARTE INFERIOR TRASERA

- Afloje los dos tornillos inferiores de las tapas de acceso traseras de ambas unidades y retire los tornillos superiores.
- Cuelgue el soporte de unificación sobre los tornillos inferiores y vuelva a ensamblar los tornillos en la parte superior.
- Ajuste los tornillos para unir las unidades.



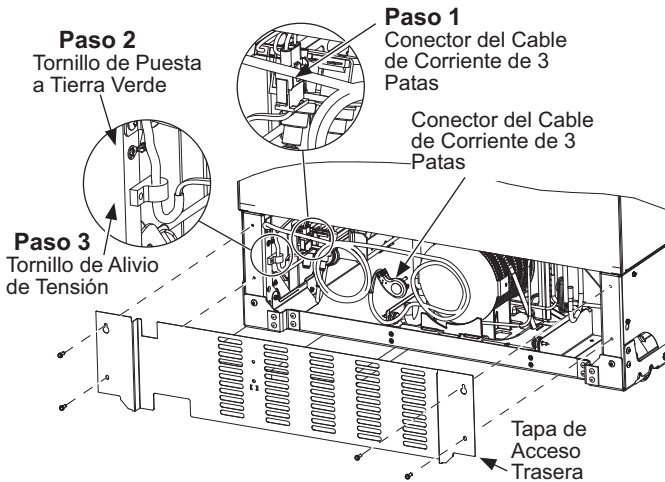
# Instrucciones de Instalación - Instalación Estándar Dual

## PASO 6 CAMBIE EL CABLE DE CORRIENTE

Si la ubicación de la salida de electricidad requiere un cable de corriente más largo, siga las instrucciones que figuran a continuación para cambiar el cable de corriente más largo provisto con el kit de instalación estándar.

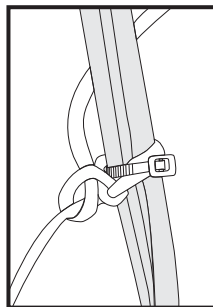
**Retire el cable de corriente corto existente con el ensamble de la cuerda:**

- Retire los tornillos hexagonales de 1/4" que sostienen la tapa de acceso trasera.
  1. Desenchufe el conector del cable de corriente de 3 patas dentro del compartimiento de la máquina (presione sobre los costados para liberar las lengüetas de bloqueo).
  2. Retire el tornillo hexagonal de 1/4" del cable de corriente de conexión a tierra verde
  3. Retire el tornillo hexagonal de 1/4" del amortiguador de refuerzo.
  4. Retire la cuerda del cable de corriente corto, cortando la misma cerca del amarre del cable.



**Instale el nuevo cable de corriente más prolongado:**

1. Amarre la cuerda alrededor del cable de corriente más largo de 18 pulgadas desde el aliviador de tensión y coloque el amarre del cable como se muestra.
2. Enchufe el conector de 3 patas (asegúrese de que las lengüetas de bloqueo estén adheridas).
3. Instale el tornillo del cable de corriente de conexión a tierra verde
4. Instale el amortiguador de refuerzo del cable de corriente.



**Nota:** No ajuste en exceso el amarre del cable. Un ajuste excesivo podrá dañar el cable de corriente.

## PASO 6 CAMBIE EL CABLE DE CORRIENTE (cont.)

### ⚠ ADVERTENCIA Riesgo de Descarga Eléctrica

**Eléctrica** Se podrá producir la muerte o daños graves como resultado de no seguir estas instrucciones.

- El servicio técnico deberá ser realizado por un técnico calificado del servicio únicamente.
- Desconecte el cable de corriente antes de realizar el servicio técnico de este producto.
- Vuelva a conectar todos los dispositivos de conexión a tierra luego de realizar el servicio técnico.
- Vuelva a colocar todas las piezas y paneles antes del uso.

- Reemplace la tapa de acceso trasero. Asegúrese de que el cable de corriente y el cable de conexión a tierra estén correctamente dirigidos a través del recorte de la tapa de acceso.

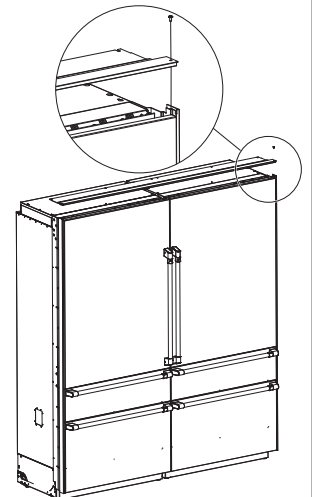
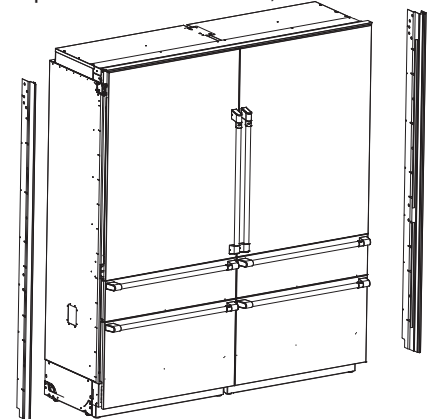
## PASO 7 INSTALACIÓN DEL BORDE DE LA CAJA

- Instale los rieles laterales del kit de marcos en las paredes derecha e izquierda expuestas de la carcasa, usando los tornillos de cabezas Phillips n° 8 provistos - 14 tornillos por lado.

- Afloje los tornillos con cabeza hexagonal de la tapa superior, de modo que se puedan deslizar las ranuras del marco superior entre los tornillos de cabeza hexagonal y la tapa superior.

- Encastre los rieles del marco superior con aquellos del borde lateral, deslizando los extremos expuestos del marco de la esquina en los rieles laterales del kit de marcos derecho e izquierdo. Alinee y coloque los dos tornillos de cabeza Phillips número 8-32 en los agujeros de los tornillos de los rieles laterales, a fin de asegurar que el marco superior calce cómodamente sobre los rieles laterales.

- Ajuste los tornillos de cabeza hexagonal de la tapa superior, de modo que el marco superior quede asegurado al gabinete.





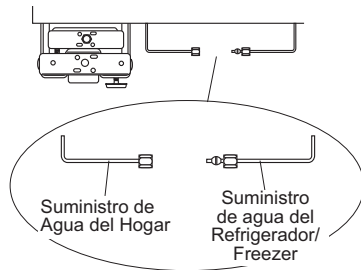
# Instrucciones de Instalación - Instalación Estándar Dual

## PASO 8 CONEXIÓN DEL SUMINISTRO DE AGUA

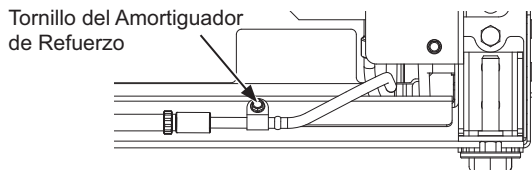
**⚠ ADVERTENCIA** Realice la conexión a un suministro de agua potable únicamente. Se requiere un suministro de agua fría para el funcionamiento de la máquina de hielos automática y de la jarra de llenado automático. La presión del agua deberá estar entre 40 y 120 p.s.i. (275 – 827 kPa).

**⚠ ADVERTENCIA**  PELIGRO DE DESCARGA ELÉCTRICA

Adhiera la abrazadera de la tubería usando el agujero existente únicamente. NO perforo el refrigerador.



- Encuentre y traiga la tubería al frente del gabinete.
- Abra y deje correr el agua para eliminar desechos de la tubería. Deje correr alrededor de un cuarto de galón de agua por la tubería a un balde, y luego cierre el suministro de agua.
- Retire el tornillo del amortiguador de refuerzo para que se afloje lo suficiente y poder realizar una adecuada conexión de agua. (El tornillo deberá ser reemplazado en el siguiente paso).



### Tubería de Cobre:

- Coloque una tuerca de 1/4" y una abrazadera de refuerzo sobre ambos extremos de la tubería de cobre. Inserte la tubería en el accesorio de unión con la unidad y ajuste la tuerca a la unión.
- Abra el suministro de agua para controlar que no haya pérdidas.

### Tubería SmartConnect™

**NOTA:** La única tubería plástica aprobada por Café es suministrada en los Kits de Tuberías para Refrigerador de SmartConnect™. No use ningún otro suministro de agua plástico, ya que el suministro se encuentra bajo presión en todo momento. Otros tipos de plásticos podrán sufrir fisuras o roturas con el paso del tiempo y ocasionar problemas con el agua en su hogar.

- Inserte el extremo moldeado de la tubería en la conexión del refrigerador o del freezer. Ajuste la tuerca de compresión hasta que quede fijada sólo con la presión manual.
- Siga las instrucciones provistas con la tubería. ¡Un ajuste excesivo podrá ocasionar pérdidas!
- Abra el suministro de agua para controlar que no haya pérdidas.

# Instrucciones de Instalación - Instalación Estándar Dual

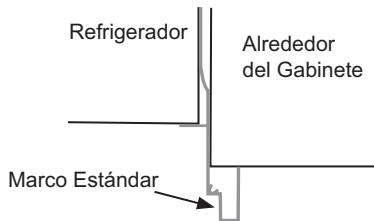
## PASO 9 INSERCIÓN/ AJUSTE DEL BORDE DEL GABINETE

- Enchufe ambas unidades en el tomacorriente de la pared.

### ⚠ ADVERTENCIA Riesgo de Descarga Eléctrica

**Eléctrica.** A fin de reducir el riesgo de descarga eléctrica, tenga cuidado en los pasos restantes de la instalación de no tocar el cableado ni los componentes eléctricos dentro del compartimiento del compresor mientras el electrodoméstico está enchufado y la tapa de acceso frontal no está en su lugar.

- Busque la cuerda de instalación que está adherida sobre el frente de la unidad; la misma deberá ser usada a medida que vuelve a empujar la unidad dentro de la abertura. La cuerda está adherida al cable de corriente; a medida que vuelve a colocar la unidad en la abertura, deberá tensar la cuerda para asegurarse de que el cable de corriente haga su recorrido por debajo de la unidad.
- Lentamente coloque ambas unidades en la abertura, asegurándose de no tocar los gabinetes a los costados y de detenerse para evitar daños. El lado trasero de los marcos estándares superior y lateral deberá estar en contacto con el borde del gabinete cuando las unidades se empujen hacia atrás.



### ⚠ ADVERTENCIA Riesgo de Caída

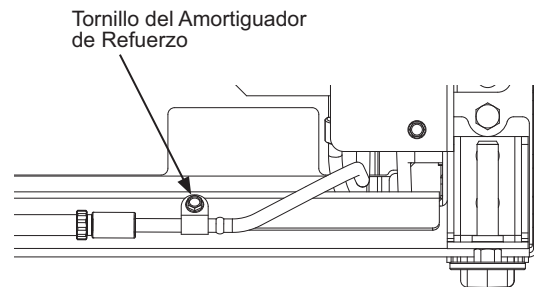
Estos electrodomésticos son inestables, especialmente cuando una puerta se encuentre abierta, y deben estar asegurados a fin de evitar caídas hacia adelante que podrían resultar en la muerte o en lesiones graves.

- Coloque el cable de corriente sobre su extremo y empuje el mismo por debajo del producto entre las ruedecillas y lejos del soporte antivolcaduras, a fin de asegurar que el cable no sea dañado durante la instalación.

- Al volver a colocar la unidad en la abertura, usted deberá empujar el cable y tensar el mismo a fin de asegurar que el cable de corriente se encuentre canalizado debajo de la unidad.



- Reemplace el tornillo del amortiguador de refuerzo de la tubería de agua.



- Guarde la parte sobrante de la correa, de la cuerda, y de la tubería de agua debajo de la unidad.

### ⚠ ADVERTENCIA Riesgo de Descarga Eléctrica

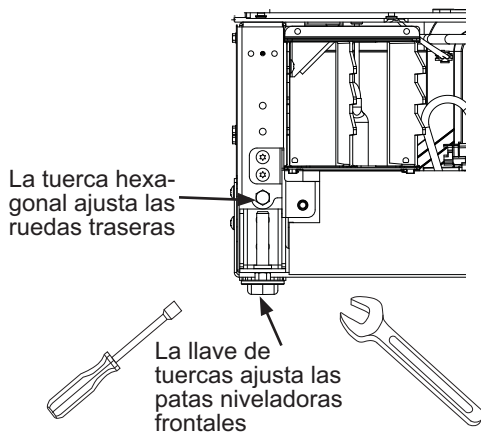
**Eléctrica** Reemplace el amortiguador de refuerzo de la tubería de agua frente a la ubicación del riel, como se muestra.

# Instrucciones de Instalación - Instalación Estándar Dual

## PASO 10 NIVELE LA UNIDAD

Todos los modelos cuentan con 4 puntos de nivelación. La parte frontal está apoyada sobre patas niveladoras; la parte trasera está apoyada sobre ruedas ajustables. Es posible acceder a ambas desde la parte frontal de la unidad.

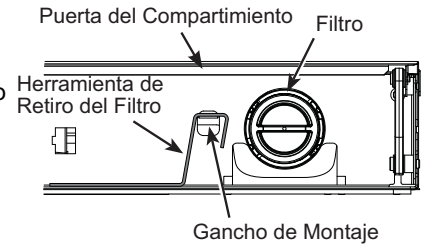
- A fin de nivelar la parte trasera de la unidad, gire la tuerca hexagonal de 7/16" que se encuentra ubicada sobre las ruedas frontales. Gire en dirección de las agujas del reloj para subir la unidad, y en contra de las agujas del reloj para bajar la misma.
- Para nivelar la parte frontal, use una llave de tuercas de 7/16".
- Ajuste la altura de la unidad para que coincida con la abertura del recorte de la instalación de 84". La unidad deberá estar nivelada de forma vertical entre los muebles de cocina. Las ruedas frontales deberán estar a un mínimo de 1/8" (0.3 cm) fuera del piso.



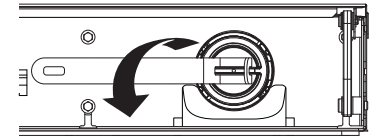
**AVISO:** Las ruedas niveladoras traseras y las patas niveladoras frontales cuentan con un límite de ajuste de altura máxima de 1". Si en la instalación se requiere una altura superior a 84-1/2", el instalador deberá elevar el refrigerador sobre una lámina de contrachapado o tirantes. También se podrá agregar un ajuste a los gabinetes sobre la parte superior de la abertura, a fin de acortar esta última. Si intenta elevar la unidad más de 1", dañará las patas niveladoras frontales y las ruedas niveladoras traseras.

## PASO 11 PREPARACIÓN FINAL DE LA UNIDAD EXTERNA

- Abra la tapa frontal de la carcasa a 90°. Ubique el filtro y la herramienta de retiro del filtro. El filtro deberá aparecer como se muestra.



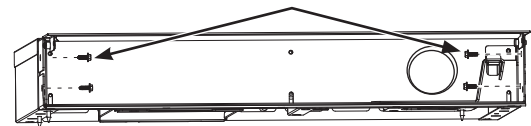
- Dé al filtro 1/4 de giro en sentido antihorario (si es necesario, use la herramienta de retiro del filtro).
- Empuje el filtro hacia usted para retirar el mismo.



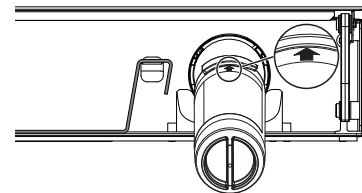
**NOTA:** El sistema de agua no funcionará si el filtro no está ubicado en su posición.

- Haga marcas de agujeros de 1/16" a ambos lados de la profundidad de 1/2" circundante a través de los agujeros de la carcasa.
  - Asegure la unidad colocando cuatro agujeros hexagonales de 1/4" a ambos lados del gabinete circundante. Use una herramienta de 90 grados o una extensión alternativa.
- NOTA:** Este paso NO reemplaza los materiales de seguridad anti volcaduras. Consulte el Paso 4 sobre la Instalación del Soporte Anti Volcaduras y el Paso 7 sobre Inserción/ Ajuste Alrededor del Gabinete para más detalles sobre cómo instalar los materiales anti volcaduras. En instalaciones duales, repite esto con la segunda unidad.

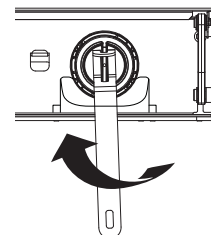
Tornillo Hexagonal de 1/4"



- Ubique la flecha azul del filtro. Gire el filtro para alinear la flecha como se muestra.



- Inserte el filtro en su posición y dé al mismo 1/4 de giro en sentido horario (si es necesario, use la herramienta de retiro del filtro).

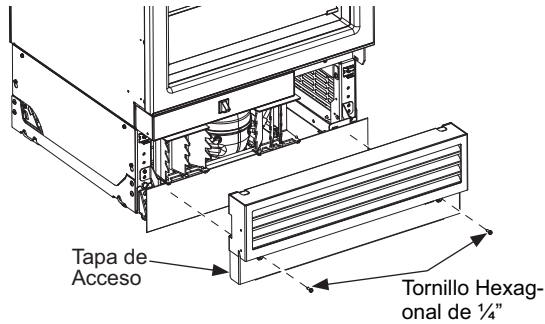


- Vuelva a colocar la herramienta de retiro del filtro en el gancho de montaje.
- Cierre la puerta del compartimiento.

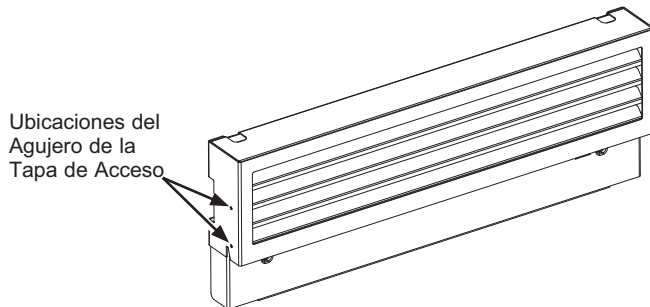
# Instrucciones de Instalación - Instalación Estándar Dual

## PASO 11 PREPARACIÓN FINAL DE LA UNIDAD EXTERNA (Cont.)

- Vuelva a colocar la tapa de acceso en la unidad y asegure la misma con dos tornillos de cabeza hexagonal de ¼".

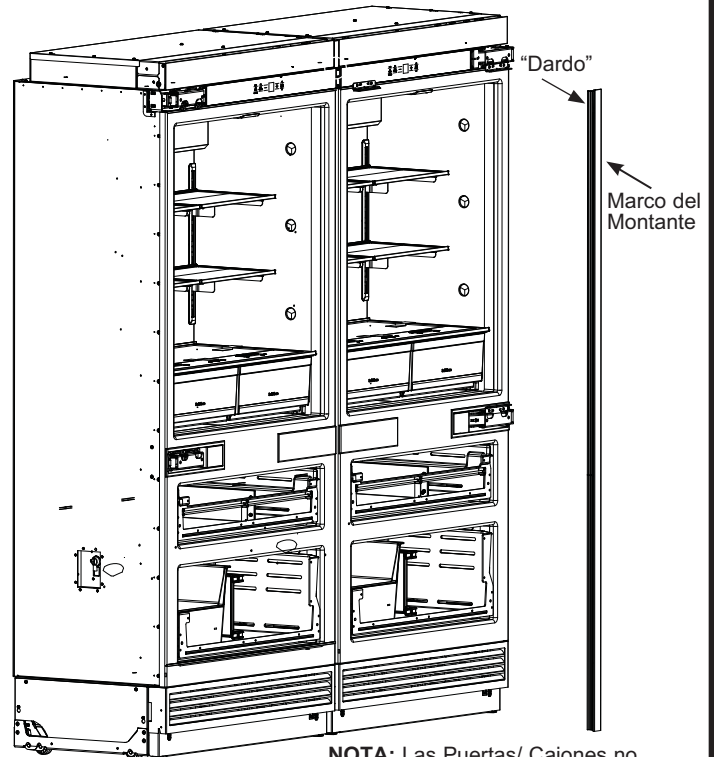


- Del lado de la tapa de acceso que mirará hacia la parte intermedia de la instalación, coloque dos tornillos de cabeza hexagonal de ¼". Estos tornillos mejorarán la adhesión del marco del montante. Repita este paso en la segunda tapa de acceso.



### Instalación del Marco del Montante

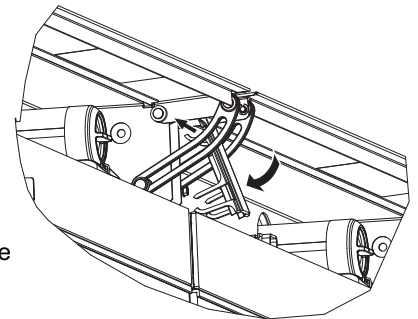
- Abra todas las puertas y cajones.
- Alinee el Marco del Montante con la parte superior de los paneles de control.
- Instale el marco del montante entre las dos unidades, empujando el dardo en el área entre las unidades.
- Asegúrese de que el marco esté completamente apoyado contra la carcasa. De ser necesario, realice ajustes.



**NOTA:** Las Puertas/ Cajones no se muestran para mayor claridad.

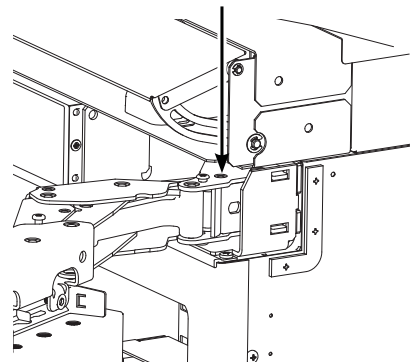
- Abra ambas puertas de acceso al filtro de agua a 90°.

- Calce el borde sobre los ensamblajes de las bisagras de ambos gabinetes.



- Si la instalación requiere una apertura de puerta de 90°, el perno limitador de la bisagra deberá ser instalado en la bisagra superior.

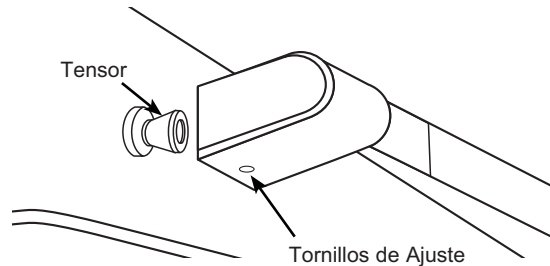
- Abra la puerta para exponer el agujero en el soporte de la bisagra trasera e instale el perno limitante. El perno deberá estar completamente colocado en la bisagra o la puerta no se cerrará de forma apropiada.



# Instrucciones de Instalación - Instalación Estándar Dual

## PASO 12 INSTALACIÓN DE LA MANIJA

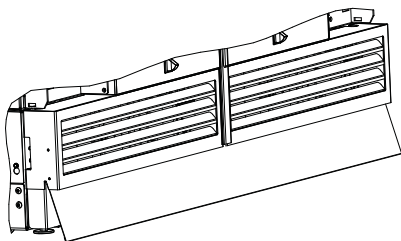
- Asegúrese de que los tornillos de ajuste estén flojos sobre las tapas de la manija. Coloque la manija sobre los tensores de la puerta (recomendamos colocar el lado donde se posiciona el tornillo en la manija hacia el lado menos visible). Asegúrese de sostener la manija de modo tal que no caiga y raye el acabado del electrodoméstico. Asegúrese de que ambas tapas de la manija estén apoyadas sobre la base de la puerta.



- Bloquee un extremo de la manija en su posición, ajustando el tornillo en la tapa de la manija con la llave Allen de 1/8". Asegúrese de no ajustar en exceso.
- Continúe sosteniendo la manija mientras bloquea el otro extremo de la misma en su posición, ajustando el tornillo en la tapa en la manija con la llave Allen de 1/8". Asegúrese de no ajustar en exceso.
- Repita estas instrucciones en todas las demás manijas.

## PASO 13 INSTALACIÓN DEL ZÓCALO

- Se incluyen un zócalo de acero inoxidable y un imán en la caja de partes que fue encintada sobre el lateral de cada refrigerador. Se podrá adquirir por separado un zócalo de ancho completo (ZKK72R) para instalaciones estándares.
- En los zócalos individuales, adhiera los imanes sobre el lado trasero de los zócalos. La superficie del zócalo sobre la cual se colocará el imán deberá estar limpia y libre de materiales extraños. Centre los imanes de forma vertical y horizontal.
- Posicione el zócalo(s) sobre la parte inferior de las tapas de acceso frontal.



## PASO 14 PREPARACIÓN DE LA UNIDAD INTERNA

- Retire toda la cita, cartón y gomaespuma de cada unidad.
- Retire de los estantes los cestos de puertas en cajas.
- Retire de la caja e instale los cestos de puerta.

## PASO 15 INICIE LA MÁQUINA DE HIELOS

### ⚠ PRECAUCIÓN

Para minimizar el riesgo de lesiones personales, evite el contacto con las partes móviles del mecanismo eyector o con el elemento de calefacción que libera los cubos. No coloque los dedos ni las manos en el mecanismo de la máquina de hielo automática mientras el electrodoméstico se encuentre enchufado.

**Puede llevar entre 12 y 24 horas que un freezer recién instalado comience a fabricar hielo.**

La máquina de hielos producirá siete cubos por ciclo - aproximadamente 15 ciclos en un período de 24 horas - dependiendo de la temperatura del compartimiento del freezer, la temperatura ambiente, la cantidad de veces que se abra la puerta y otras condiciones de uso.

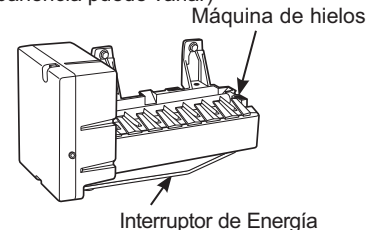
Si el freezer se utiliza antes de realizar la conexión del agua a la máquina de hielos, apague esta última manteniendo presionada la tecla **Zone Select (Selección de Área)** hasta que aparezca Ice OFF (Hielo Apagado).

Una vez conectada el agua al suministro de agua, encienda la máquina de hielo manteniendo presionada la tecla **Zone Select (Selección de Área)** hasta que se visualice Ice On (Hielo Encendido).

Descarte la primera cubitera de hielo para permitir que el suministro de agua se limpie.

Asegúrese de que nada interfiera con la extensión del interruptor de energía.

(La apariencia puede variar)



Cuando la cubitera se llene hasta el nivel del interruptor de energía, la máquina de hielos dejará de producir hielo.

Es normal que varios de los cubos queden juntos.

Si el hielo no se usa con frecuencia, los cubos de hielo viejos se volverán turbios, con sabor rancio y su tamaño se reducirá.

**NOTA:** La máquina de hielos funciona mejor con una presión hogareña de agua de entre 40 y 120 PSI (275-827 kPa).

**Instrucciones para una Instalación  
Integrada Dual (Sólo modelos  
de puerta simple)**

**Instalación en una construcción nueva con aberturas de 25”  
de profundidad**

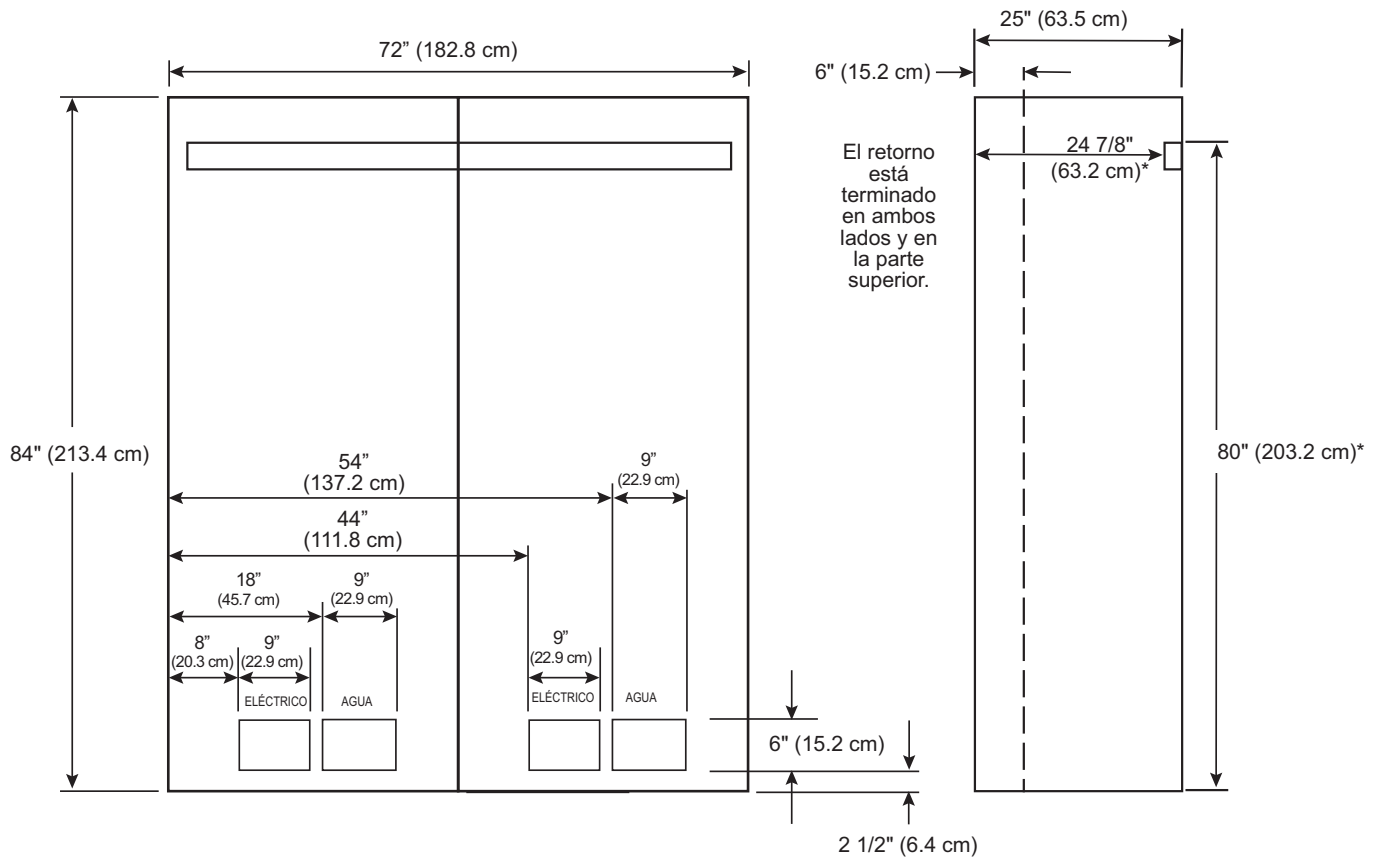


# Guía de Diseño – Instalación Integrada Dual

## ESPACIO DE INSTALACIÓN INTEGRADO DUAL

### (Sólo modelos de puerta simple)

Las dimensiones que aparecen entre paréntesis están expresadas en centímetros.



\* En espacios de instalación con una profundidad superior a 25", se recomienda instalar un bloque espaciador de acuerdo con las dimensiones mostradas.

# Guía de Diseño – Instalación Integrada Dual

## ESPACIO DE INSTALACIÓN INTEGRADO DUAL

### Ubicaciones de Agua y Electricidad

Los suministros eléctricos y de agua deberán ser ubicados como se muestra.

### La Profundidad del Recorte Deberá Ser de 25"

El recorte está basado en la instalación de 2 Producto con Puerta Simple con apertura de puerta hacia la izquierda y hacia la derecha.

Kit ZKMV de Unificación de Calefacción requerido.

### Espacios Libres del Producto

Estas unidades están equipadas con un dispositivo de detención de la puerta de 2 posiciones. El giro de la puerta de 115° original de fábrica se podrá ajustar a 90° si el espacio libre hasta los gabinetes adyacentes o paredes es restringido.

Lea la Dim. A en la página 3 para consultar sobre los espacios libres necesarios para el balanceo de puerta. .

### Especificaciones adicionales

- Se requiere un suministro de corriente aparte de 115 voltios, 60Hz., y 15 o 20 amperes para cada producto. Se recomienda el uso de un circuito individual derivado o un disyuntor correctamente conectado a tierra. Instale un receptáculo eléctrico de 3 patas correctamente conectado a tierra en la pared trasera. El receptáculo eléctrico deberá estar ubicado en la pared trasera como se muestra.
- La tubería de agua deberá estar ubicada en la pared trasera, como se muestra. La tubería de agua deberá ser de cobre y tener un diámetro externo de ¼" o ser del kit QuickConnect™ (WX08X10006) entre la tubería de agua fría y la ubicación de la conexión de agua, siendo lo suficientemente larga como para alcanzar el frente de la unidad (8' [2.4m]). Se requiere la instalación de una válvula de cierre fácilmente accesible en la tubería de agua.
- **Se recomienda un retorno finalizado mínimo de 6" (15.2 cm) que coincida con el gabinete exterior en la parte interna sobre todos los laterales y la parte superior del frente de la abertura.**
- **Las instalaciones con 6" (15.2 cm) o menos entre las unidades requieren el Kit de Unificación del Calentador.**

## UBICACIÓN DEL REFRIGERADOR/ FREEZER

- No instale el refrigerador/ freezer en lugares donde la temperatura sea inferior a los 55°F (13°C). Éste no funcionará con la frecuencia suficiente como para mantener las temperaturas apropiadas.
- No instale el refrigerador/ freezer en lugares donde la temperatura sea superior a los 100°F (37°C). Éste no funcionará correctamente.
- No instale el refrigerador/ freezer en una ubicación expuesta al agua (lluvia, etc.) o en contacto directo con la luz solar.
- Instale el mismo en un piso lo suficientemente fuerte como para soportarlo completamente cargado.

## MATERIALES SUMINISTRADOS (por unidad)

- Soporte Anti volcaduras (cant. de 2)
- Tornillos tirafondos
- Tornillos Tapcon
- Tornillos Hexagonales de ¼"
- 2 Perno limitador de bisagra
- Kit de Materiales para Puerta
- Imán del zócalo

## HERRAMIENTAS Y MATERIALES NECESARIOS

- Tijeras de podar metálicas (recomendadas)
- Destornillador Phillips nn2
- Destornillador con punta plana
- Espátula (recomendadas)
- Cinta de medición
- Taladro y brocas de 1/16", 5/64", 3/16", 1/2"
- Broca de concreto de 5/32" (si instalará el soporte anti volcaduras en el concreto)
- Destornillador/ ficha de 1/4", 3/8", 7/16"
- Llave de tuercas de 7/16"
- Destornillador/ broca T10, T20, T30
- Destornillador hexagonal de 1/8", 1/4" (llave Allen)
- Nivel
- Válvulas de cierre de agua (opcional pero recomendada)
- Línea de flotación de 8' (una por unidad requiriendo conexiones domésticas de agua)
- Cinta adhesiva
- Alcohol desinfectante
- Llave ajustable de 10"
- Punzón
- Kit de Unificación del Calentador (ZKMV)
- Kits de manijas (si corresponde)
- Llave de Tubo Pequeña de 1/4" o 3/8"
- Taladro Angular Derecho de 90° o un extensor de broca con una longitud mínima de 8" y un diámetro de ¼"

# Instrucciones de Instalación – Instalación Integrada Dual

## PIEZAS SUMINISTRADAS DEL KIT ZKMV:

Calentador Adhesivo  
Transformador  
Parteluz Frontal  
Soporte con Terminación  
Soporte de Unificación Superior  
Soporte de Unificación Frontal Inferior  
Soporte de Unificación Inferior Trasero  
Tornillos Largos de Cabeza Hexagonal 8-18 5/8" de 3 1/4"  
Tornillos Largos de Cabeza Hexagonal 8-32 5/8" de 5 1/4"  
Tornillos Largos de Cabeza Hexagonal 1/4-20 1/2" de 3 3/8"  
4 ganchos para cables

## CONEXIÓN A TIERRA DE LA UNIDAD

**⚠ ADVERTENCIA**  **Riesgo de Descarga**  
Si no se siguen estas instrucciones, se podrá producir la muerte, incendios o descargas eléctricas.

El cable de corriente de este electrodoméstico cuenta con un enchufe de 3 cables (conexión a tierra) que se conecta a un tomacorriente de pared estándar de 3 cables (conexión a tierra) para minimizar el riesgo de posibles descargas eléctricas por parte del mismo.

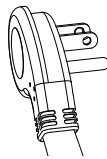
Contrate a un electricista calificado para que controle el tomacorriente y el circuito eléctrico, a fin de asegurar que el enchufe esté correctamente conectado a tierra.

En caso de contar con un tomacorriente de pared de 2 cables, es su responsabilidad y obligación reemplazarlo por un tomacorriente de pared de 3 cables correctamente conectado a tierra.

NUNCA, BAJO NINGUNA CIRCUNSTANCIA, CORTE NI ELIMINE EL TERCER CABLE (TIERRA) DEL CABLE DE CORRIENTE.

NO USE UN ENCHUFE ADAPTADOR PARA CONECTAR EL REFRIGERADOR A UN TOMACORRIENTE DE 2 PATAS.

NO USE UN PROLONGADOR CON ESTE ELECTRODOMÉSTICO.



## PISO

Para una instalación correcta, este producto se deberá ubicar en una superficie nivelada de material duro que posea la misma altura en el resto del piso. Esta superficie deberá ser lo suficientemente fuerte como para resistir el peso de un refrigerador o freezer totalmente cargado, o aproximadamente 1,200 libras por unidad.

**NOTA:** Proteja el acabado del piso..

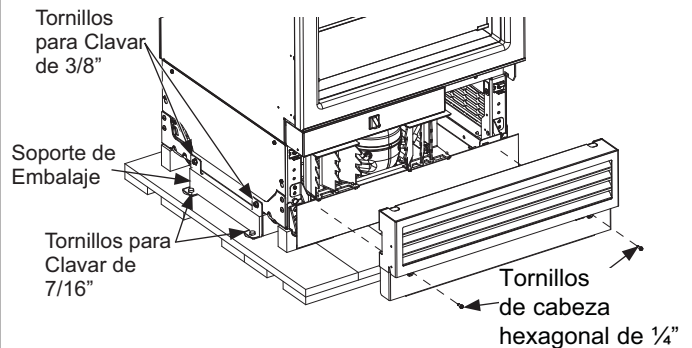
**NOTA:** No recomendado para instalación en pisos alfombrados.

## PASO 1 RETIRE EL EMBALAJE

**⚠ ADVERTENCIA**  **Riesgo de Caída.**

Este electrodoméstico es inestable. Tenga extremo cuidado al moverlo, a fin de evitar caídas hacia adelante que podrían resultar en la muerte o lesiones graves.

- Retire el cartón externo y el embalaje externo de las unidades.
- En la parte exterior del refrigerador se encuentra una caja de piezas encintada. Esta caja incluye un zócalo para instalaciones integradas simples y partes de la puerta que serán instaladas una vez completados los ajustes del panel de la puerta. Guarde estas partes.
- Controle que no haya daños.
- Asegúrese de que el piso donde las unidades se encuentran apoyadas esté despejado/ libre de escombros que podrían ser arrastrados o pellizcados frente a las ruedas y dañando así el piso. De forma adicional, se recomienda que el piso esté protegido por una cobertura plástica a través del proceso de instalación.
- Retire las manijas desde el interior del compartimiento del refrigerador.
- Retire los kits de materiales que se encuentran ubicados dentro de la unidad.
- Retire la tapa de acceso frontal de la unidad, retirando los dos tornillos de cabeza hexagonal de 1/4". Coloque la tapa y los tornillos al costado para una instalación futura.



- Retire dos tornillos para clavar de 3/8" y dos tornillos para clavar de 7/16" de cada lado de la unidad, a fin de liberar la misma de la superficie antideslizante. Incline la unidad desde el costado lo suficiente como para retirar el material de embalaje de la parte inferior de la unidad, pero sobre la superficie antideslizante (ambos lados).
- CON CUIDADO haga rodar la unidad fuera de la parte trasera de la superficie antideslizante.
- Sostenga la misma sólo de un lado con un carro manual.

# Instrucciones de Instalación – Instalación Integrada Dual

## PASO 2 INSTALE EL SUMINISTRO DE AGUA

**⚠ ADVERTENCIA** Realice la conexión a un suministro de agua potable únicamente. Se requiere un suministro de agua fría para el funcionamiento de la máquina de hielo automática. La presión del agua deberá estar entre 40 y 120 p.s.i. (275 – 827 kPa).

**⚠ ADVERTENCIA**  **PELIGRO DE DESCARGA ELÉCTRICA**

Adhiera la abrazadera de la tubería usando el agujero existente únicamente. NO perforo el refrigerador.

### Cierre el suministro principal de agua.

Abra el grifo más cercano durante el tiempo suficiente como para despejar la tubería de agua.

■ Se recomienda la instalación de una válvula de cierre entre la válvula de agua y la tubería de agua fría en un sótano o gabinete adyacente. **La válvula de cierre deberá ser ubicada donde estará fácilmente accesible.**

■ Abra el suministro principal de agua y deje correr la suciedad. Deje correr aproximadamente un cuarto de galón de agua a través de la tubería a un balde. Cierre el suministro de agua desde la válvula de cierre.

**NOTA:** Las válvulas de cierre tipo montura no se recomiendan pero están incluidas en muchos kits de suministro de agua. Antes de su adquisición, asegúrese de que la válvula tipo montura cumpla con los códigos de plomería locales.

**NOTA:** Se deberá cumplir con los Códigos de Plomería del Commonwealth de Massachusetts 248CMR. Las válvulas tipo montura son ilegales y su uso está prohibido en Massachusetts. Consulte a un plomero matriculado.

■ Haga circular una tubería de cobre de un diámetro externo de 1/4" o una tubería plástica SmartConnect™ (WX08X10006) entre el suministro de agua fría de la casa y la ubicación de la conexión de agua en el frente de cada unidad.

Los Kits de Tubería para Refrigeradores SmartConnect™ están disponibles. Una tubería de agua de 8' (2.4m) (WX08X10006) es necesaria para cada unidad. La tubería(s) de agua se adherirá al piso usando una cinta adhesiva luego de la instalación del soporte anti volcaduras.



■ La tubería deberá ser de una extensión suficiente como para llegar hasta el frente de la unidad. Deje una cantidad de tubería suficiente como para hacer una inclinación que llegue hasta la conexión de la tubería de agua.

**NOTA:** La única tubería plástica aprobada por Café es suministrada en los Kits de Tuberías para Refrigerador de SmartConnect™. No use ningún otro suministro de agua plástico, ya que el suministro se encuentra bajo presión en todo momento. Otros tipos de plásticos podrán sufrir fisuras o roturas con el paso del tiempo y ocasionar problemas con el agua en su hogar.

## PASO 3 PREPARACIÓN DE LA UNIDAD PARA SU INSTALACIÓN

■ Desembale el Kit de Unificación (ZKMV) de calefacción y asegúrese de que los componentes de la lista estén incluidos.

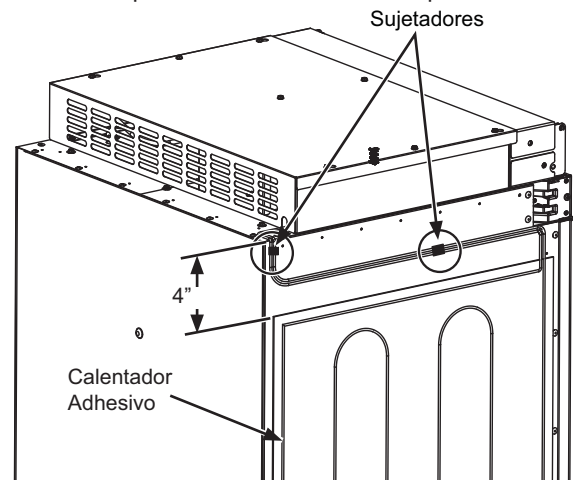
**NOTA:** Asegúrese de que el cable de conexión del calentador esté direccionado hacia la parte superior de la unidad al ser instalado.

■ Coloque la unidad con apertura del lado derecho frente a la apertura de instalación, de modo que la unidad se encuentre frente a la ubicación de instalación esperada. Asegúrese de que la unidad permanezca desenchufada y apagada.

■ Instale el calentador adhesivo en la parte exterior de la unidad ubicada del lado derecho, sobre el lado izquierdo de la carcasa. Instale el calentador 4" por debajo de la parte superior de la carcasa. El calentador deberá estar centrado del frente hacia atrás sobre la caja metálica.

■ Use sujetadores para adherir el cable suelto de forma ajustada en el lateral de la carcasa, como se muestra. Limpie el lateral con alcohol desinfectante, a fin de asegurar la correcta adhesión del sujetador.

**NOTA:** La instalación del calentador está disponible sólo para el lado izquierdo de los modelos compatibles.



**⚠ ADVERTENCIA**  **Riesgo de Descarga**  
**Si no se siguen estas instrucciones, se podrá producir la muerte, incendios o descargas eléctricas.**

■ Instale el transformador en el ensamble de la parte superior de la carcasa:

1. Retire la parte superior de la tapa retirando los tornillos hexagonales n° 8 y guarde los mismos para volver a ensamblar la parte superior de la tapa.

2. Coloque el transformador provisto del kit ZKMV en la parte superior de la carcasa. Asegure el transformador con un tornillo hexagonal (1/4") a la parte superior de la carcasa, usando el agujero existente sobre el lado derecho trasero de la carcasa de control superior.

3. Conecte el conector del transformador de 2 clavijas al conector del calentador, y el conector de 3 clavijas al panel de control, y asegúrese de que las lengüetas de bloqueo queden ajustadas.

4. **NOTA:** Verifique que el interruptor general esté activado.

# Instrucciones de Instalación – Instalación Integrada Dual

## PASO 3 PREPARACIÓN DE LA UNIDAD PARA SU INSTALACIÓN (Cont.)

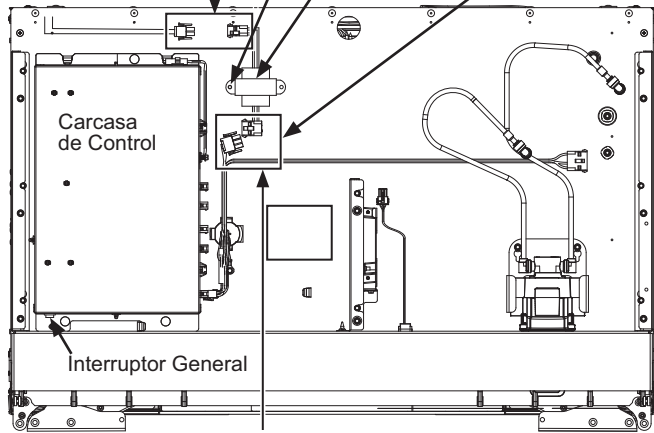
5. Ensamble la parte superior de la tapa con los tornillos que guardó en el paso anterior.

Enchufe el conector del calefactor en posición 2 al conector del transformador en posición 2 con los cables azul y amarillo.

Ubicación del agujero para el tornillo del transformador

Retire la carcasa del conector vacío antes de conectar el transformador.

Transformador



Enchufe el conector del transformador en posición 3 con los cables negro y blanco al conector con arnés en posición 3 con los cables marrón y naranja

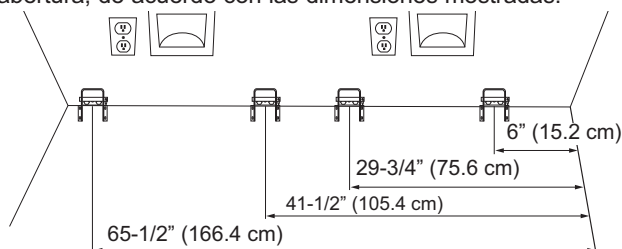
El ensamble adjunto que aparece más arriba se muestra con la tapa retirada.

## PASO 4 INSTALACIÓN DEL SOPORTE ANTI VOLCADURAS

### ⚠ ADVERTENCIA Riesgo de Caídas

Estos electrodomésticos son inestables, especialmente cuando una puerta se encuentre abierta, y deben estar asegurados a fin de evitar caídas hacia adelante que podrían resultar en la muerte o en lesiones graves. Lea y siga las instrucciones de instalación en su totalidad para asegurar el electrodoméstico con el sistema anti volcaduras.

- Retire los soportes antivolcaduras del kit de materiales.
- Los soportes antivolcaduras se deberán montar contra la pared trasera, a menos que el espacio de protección posea una profundidad superior a 25 1/2" (64.7 cm). Si el espacio de protección posee una profundidad superior a 25 1/2", el soporte antivolcaduras se deberá asegurar al piso de modo que el lado trasero del soporte antivolcaduras quede a 25" desde el frente del espacio de protección (se brinda el material del soporte para realizar el montaje en madera o concreto).
- Realice la medición y marca desde el lado derecho de la abertura, de acuerdo con las dimensiones mostradas.



## PASO 4 INSTALACIÓN DEL SOPORTE ANTI VOLCADURAS (Cont.)

- Monte el soporte anti volcaduras centrado en torno a las marcas y la alineación con el piso, como se muestra. Marque los 3 agujeros para el montaje en la pared o los 4 agujeros para el montaje en el piso.

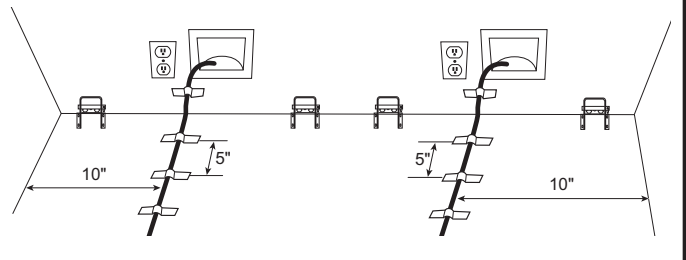
**MONTAJE SOBRE MADERA:** Haga marcas con una broca de 3/16", de 2" de profundidad, y luego instale los tirafondos provistos con un destornillador de 3/8".

**MONTAJE SOBRE CONCRETO:** Haga marcas con una broca para concreto de 5/32", de 2" de profundidad, y luego instale los tornillos tapcon con una llave de 5/16".

**NOTA:** Para consultas sobre substratos que no figuren más arriba, comuníquese con un contratista con licencia para consultarlo sobre las herramientas apropiadas.

El soporte deberá ser atornillado al PISO o a la PARED TRASERA.

- Enciente la tubería de agua a la pared y el piso, como se muestra a continuación. La tubería de agua deberá estar alejada 10" (25.4 cm) desde la pared adyacente. Coloque cinta aproximadamente cada 5" (12.7 cm) hacia el frente de la unidad. Esto mantendrá alejada la tubería de agua del soporte(s) antivolcaduras y evitará que la unidad gire sobre la tubería de agua durante la instalación. No coloque cinta cerca del frente del gabinete, a fin de mantener la cinta oculta debajo de la unidad.

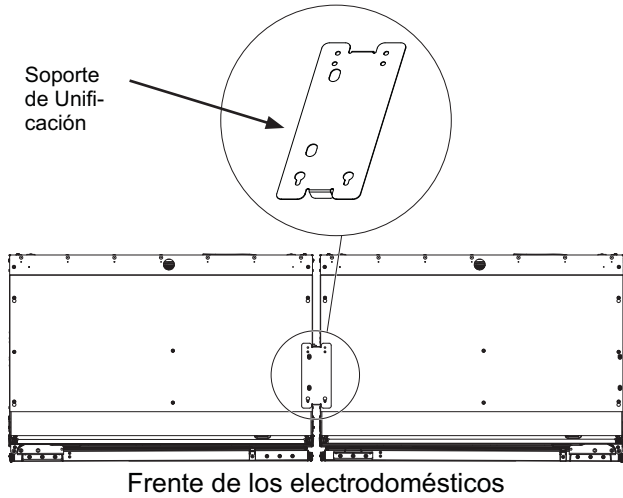


# Instrucciones de Instalación – Instalación Integrada Dual

## PASO 5 UNIENDO LAS UNIDADES DUALES INSTALADAS

### UNIFICACIÓN SUPERIOR

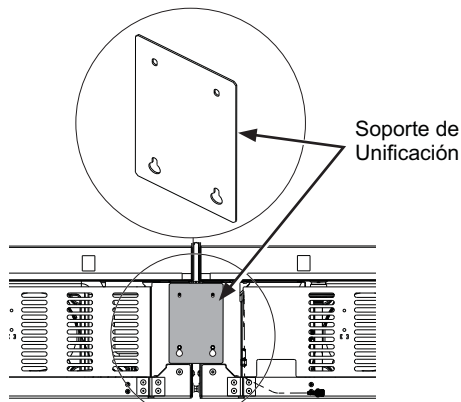
- Afloje los dos tornillos intermedios, y retire los dos tornillos traseros.
- Ensamble el soporte sobre los tornillos intermedios y vuelva a ensamblar los tornillos traseros.



- Ajuste los tornillos para unir las unidades.

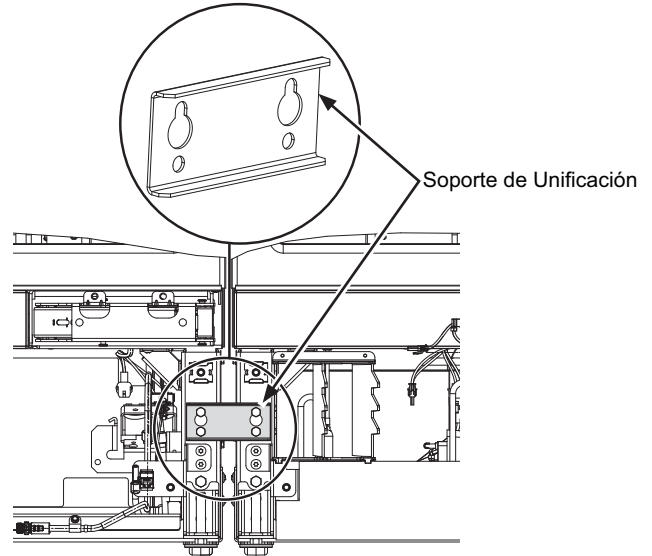
### UNIFICACIÓN DE LA PARTE INFERIOR TRASERA

- Afloje los dos tornillos inferiores de las tapas de acceso traseras de ambas unidades y retire los tornillos superiores.
- Cuelgue el soporte de unificación sobre los tornillos inferiores y vuelva a ensamblar los tornillos en la parte superior.
- Ajuste los tornillos para unir las unidades.



### UNIFICACIÓN DE LA PARTE FRONTAL INFERIOR

- Instale el soporte de unificación frontal inferior usando un destornillador de 3/8" (4 tornillos).





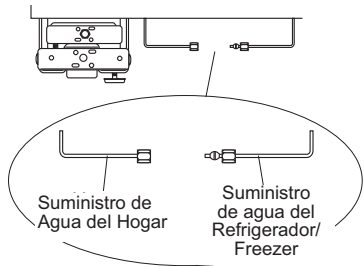
# Instrucciones de Instalación – Instalación Integrada Dual

## PASO 6 CONEXIÓN DEL SUMINISTRO DE AGUA

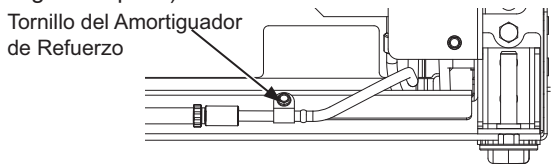
**⚠ ADVERTENCIA** Realice la conexión a un suministro de agua potable únicamente. Se requiere un suministro de agua fría para el funcionamiento de la máquina de hielo automática. La presión del agua deberá estar entre 40 y 120 p.s.i. (275 – 827 kPa).

**⚠ ADVERTENCIA**  **PELIGRO DE DESCARGA ELÉCTRICA**

Adhiera la abrazadera de la tubería usando el agujero existente únicamente. NO perforo el refrigerador.



- Encuentre y traiga la tubería al frente del gabinete.
- Abra y deje correr el agua para eliminar desechos de la tubería. Deje correr alrededor de un cuarto de galón de agua por la tubería a un balde, y luego cierre el suministro de agua.
- Retire el tornillo del amortiguador de refuerzo para que se afloje lo suficiente y poder realizar una adecuada conexión de agua. (El tornillo deberá ser reemplazado en el siguiente paso).



### Tubería de Cobre:

- Coloque una tuerca de 1/4" y una abrazadera de refuerzo sobre ambos extremos de la tubería de cobre. Inserte la tubería en el accesorio de unión con la unidad y ajuste la tuerca a la unión.
- Abra el suministro de agua para controlar que no haya pérdidas.

### Tubería SmartConnect™

**NOTA:** La única tubería plástica aprobada por Café es suministrada en los Kits de Tuberías para Refrigerador de SmartConnect™. No use ningún otro suministro de agua plástico, ya que el suministro se encuentra bajo presión en todo momento. Otros tipos de plásticos podrán sufrir fisuras o roturas con el paso del tiempo y ocasionar problemas con el agua en su hogar.

- Inserte el extremo moldeado de la tubería en la conexión del refrigerador o del freezer. Ajuste la tuerca de compresión hasta que quede fijada sólo con la presión manual.
- Siga las instrucciones provistas con la tubería. ¡Un ajuste excesivo podrá ocasionar pérdidas!
- Abra el suministro de agua para controlar que no haya pérdidas.

## PASO 7 INSERCIÓN/ AJUSTE DEL BORDE DEL GABINETE

**⚠ ADVERTENCIA**  **Riesgo de Descarga Eléctrica.**

A fin de reducir el riesgo de descarga eléctrica, tenga cuidado en los pasos restantes de la instalación de no tocar el cableado ni los componentes eléctricos dentro del compartimiento del compresor mientras el electrodoméstico está enchufado y la tapa de acceso frontal no está en su lugar.

- Enchufe ambas unidades en el tomacorriente de la pared.
- Busque la cuerda de instalación que está adherida sobre el frente de la unidad; la misma deberá ser usada a medida que vuelve a empujar la unidad dentro de la abertura. La cuerda está adherida al cable de corriente; a medida que vuelve a colocar la unidad en la abertura, deberá tensar la cuerda para asegurarse de que el cable de corriente haga su recorrido por debajo de la unidad.
- Lentamente coloque ambas unidades en la abertura, asegurándose de no tocar los gabinetes a los costados y de detenerse para evitar daños. La cara de la Puerta de Acero Inoxidable deberá estar nivelada con la cara frontal de los gabinetes circundantes.

**⚠ ADVERTENCIA**  **Riesgo de Caída**

Estos electrodomésticos son inestables, especialmente cuando una puerta se encuentre abierta, y deben estar asegurados a fin de evitar caídas hacia adelante que podrían resultar en la muerte o en lesiones graves

- Coloque el cable de corriente sobre su extremo y empuje el mismo por debajo del producto entre las ruedecillas y lejos del soporte antivolcaduras, a fin de asegurar que el cable no sea dañado durante la instalación.
- Al volver a colocar la unidad en la abertura, usted deberá empujar el cable y tensar el mismo a fin de asegurar que el cable de corriente se encuentre canalizado debajo de la unidad.

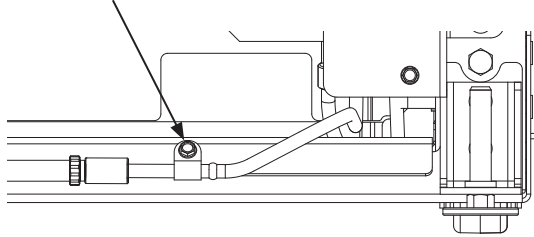


# Instrucciones de Instalación – Instalación Integrada Dual


## PASO 7 INSERCIÓN/ AJUSTE DEL BORDE DEL GABINETE (Cont.)

- Reemplace el tornillo del amortiguador de refuerzo de la tubería de agua.

Tornillo del Amortiguador de Refuerzo



- Guarde la parte sobrante de la cuerda y de la tubería de agua debajo de la unidad.

**⚠ ADVERTENCIA**  **Riesgo de Descarga Eléctrica** Reemplace el amortiguador de refuerzo de la tubería de agua frente a la ubicación del riel, como se muestra.

## PASO 8 NIVELE LA UNIDAD (Cont.)

**AVISO:** Las ruedas niveladoras traseras y las patas niveladoras frontales cuentan con un límite de ajuste de altura máxima de 1". Si en la instalación se requiere una altura superior a 84-1/2", el instalador deberá elevar el refrigerador sobre una lámina de contrachapado o tirantes. También se podrá agregar un ajuste a los gabinetes sobre la parte superior de la abertura, a fin de acortar esta última. Si intenta elevar la unidad más de 1", dañará las patas niveladoras frontales y las ruedas niveladoras traseras.

## ÉTAPE 9 Install Door Trims

- Asegúrese de que los soportes antivoltaduras estén adheridos a la parte trasera de la unidad.
- Para más detalles, consulte la Sección de Ajustes del Panel de la Puerta y la Instalación del Marco.

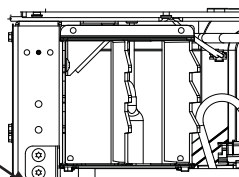
## PASO 8 NIVELE LA UNIDAD

Todos los modelos cuentan con 4 puntos de nivelación. La parte frontal está apoyada sobre patas niveladoras; la parte trasera está apoyada sobre ruedas ajustables. Es posible acceder a ambas desde la parte frontal de la unidad.

- A fin de nivelar la parte trasera de la unidad, gire la tuerca hexagonal de 7/16" que se encuentra ubicada sobre las ruedas frontales. Gire en dirección de las agujas del reloj para subir la unidad, y en contra de las agujas del reloj para bajar la misma.
- Para una nivelación frontal, use un poco de T-30 en la parte superior de la pata niveladora o una llave de tuercas de 7/16" en la parte inferior de la pata niveladora.
- Ajuste la altura de la unidad para que coincida con la abertura del recorte de la instalación de 84". La unidad deberá estar nivelada de forma vertical entre los muebles de cocina. Las ruedas frontales deberán estar a un mínimo de 1/8" (0.3 cm) fuera del piso.

La tuerca hexagonal de 7/16" ajusta las ruedas traseras

La cinta T30 ajusta las patas niveladoras frontales



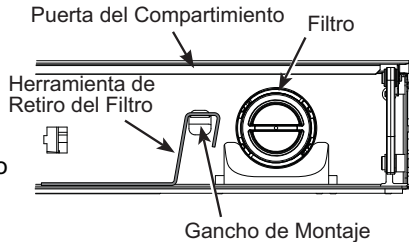
La llave de tuercas de 7/16" ajusta las patas niveladoras frontales

# Instrucciones de Instalación – Instalación Integrada Dual

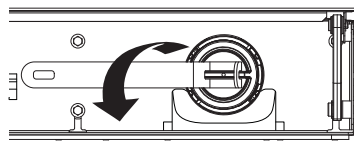
## PASO 10 PREPARACIÓN FINAL DE LA UNIDAD EXTERNA

**PARA UNA INSTALACIÓN AL MISMO NIVEL:** Asegúrese de que la superficie frontal de la puerta esté 3/4" detrás de la cara frontal de los gabinetes circundantes ANTES de asegurar los soportes a dichos gabinetes.

- Abra la tapa frontal de la carcasa a 90°. Ubique el filtro y la herramienta de retiro del filtro. El filtro deberá aparecer como se muestra.



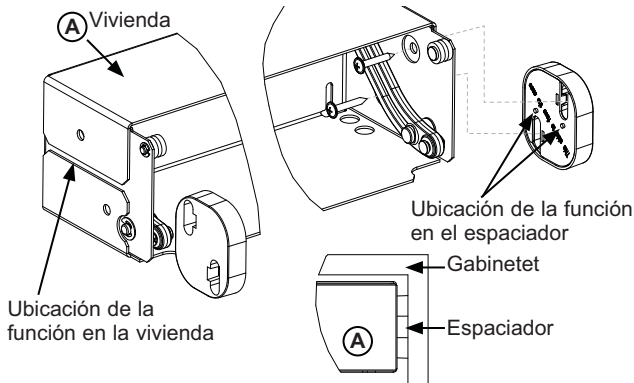
- Dé al filtro ¼ de giro en sentido antihorario (si es necesario, use la herramienta de retiro del filtro).



- Empuje el filtro hacia usted para retirar el mismo. **NOTA:** El sistema de agua no funcionará si el filtro no está ubicado en su posición.
- Haga marcas de agujeros de 1/16" a ambos lados de la profundidad de 1/2" circundante a través de los agujeros de la carcasa.

**CAUTION** Use guantes y protectores de brazos al instalar los espaciadores.

- Asegure la unidad a los gabinetes circundantes usando los espaciadores y los tornillos Phillips de 1" provistos con la unidad. En modelos con Puerta Simple: Asegure el lado de la manija antes de mover el lateral de la bisagra. En los Modelos con Puerta Francesa, abra una puerta y asegure ese lado antes de pasar al otro lado.

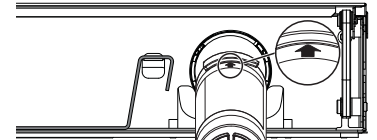


## PASO 10 PREPARACIÓN FINAL DE LA UNIDAD EXTERNA (Cont.)

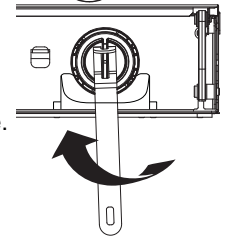
- Abra la puerta hasta su extensión total y pase el brazo a través de la abertura entre la puerta y la carcasa para alinear los espaciadores. Deslice los espaciadores hasta su posición usando las funciones de alineación sobre el espaciador y la parte lateral de la carcasa (A) hasta que los orificios de los tornillos del espaciador y los orificios de los tornillos de la carcasa estén alineados. Coloque los tornillos con cabeza Phillips a través de la carcasa en los gabinetes circundantes.

**NOTA:** Este paso NO reemplaza los materiales de seguridad antivoltaduras. Consulte el Paso 3 sobre la Instalación del Soporte Antivoltaduras y el Paso 5 sobre Inserción/ Ajuste Alrededor del Gabinete para más detalles sobre cómo instalar los materiales antivoltaduras.

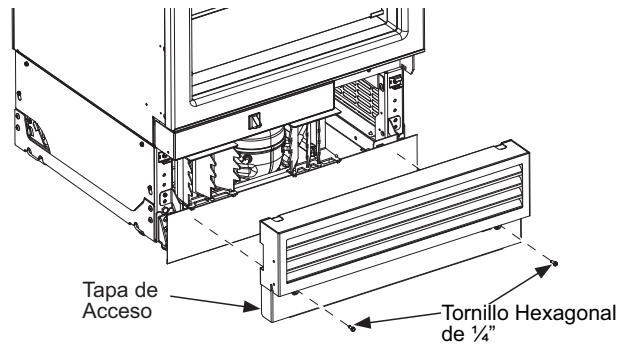
- Ubique la flecha azul del filtro. Gire el filtro para alinear la flecha como se muestra.



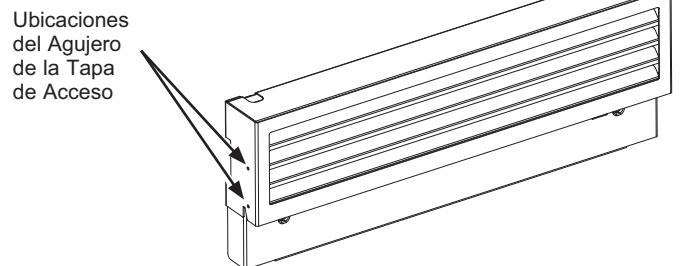
- Inserte el filtro en su posición y dé al mismo ¼ de giro en sentido horario (si es necesario, use la herramienta de retiro del filtro).



- Vuelva a colocar la herramienta de retiro del filtro en el gancho de montaje.
- Cierre la puerta del compartimiento.
- Vuelva a colocar la tapa de acceso en la unidad y asegure la misma con dos tornillos de cabeza hexagonal de 1/4".



- Del lado de la tapa de acceso que mirará hacia la parte intermedia de la instalación, coloque dos tornillos de cabeza hexagonal de 1/4". Estos tornillos mejorarán la adhesión del marco del montante. Repita este paso en la segunda tapa de acceso.

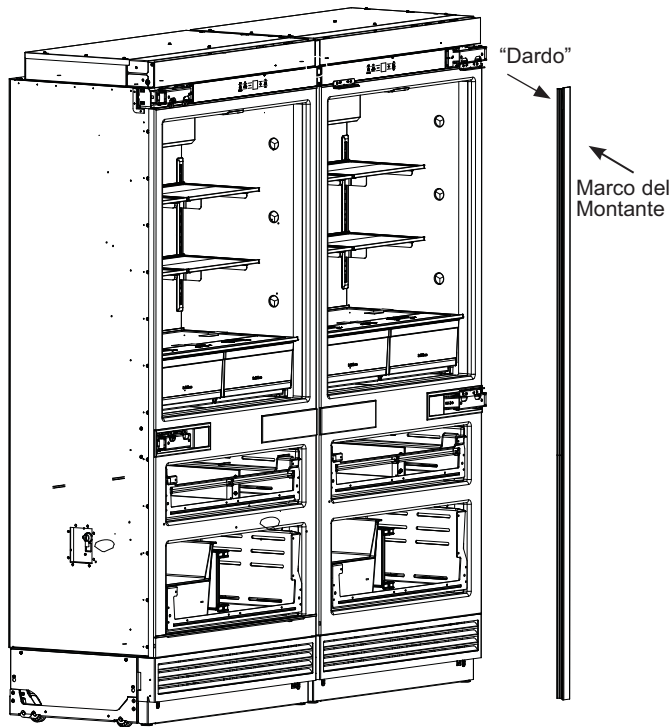


# Instrucciones de Instalación – Instalación Integrada Dual

## PASO 10 PREPARACIÓN FINAL DE LA UNIDAD EXTERNA (Cont.)

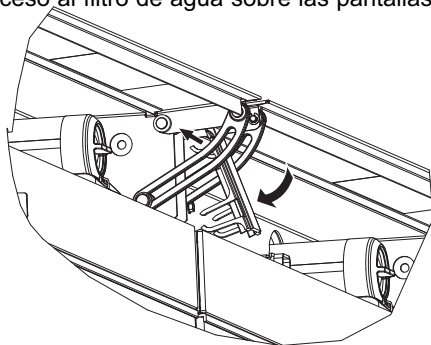
### Instalación del Marco del Montante

- Abra todas las puertas y cajones.
- Alinee el Marco del Montante con la parte superior de los paneles de control.
- Instale el marco del montante entre las dos unidades, empujando el dardo en el área entre las unidades.
- Asegúrese de que el marco esté completamente apoyado contra la carcasa. De ser necesario, realice ajustes.



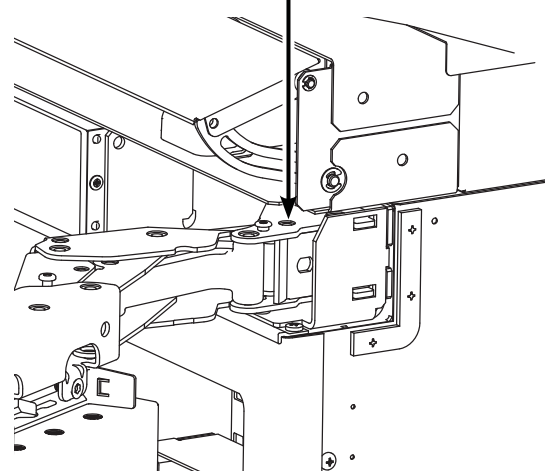
**NOTA:** Las Puertas/ Cajones no se muestran para mayor claridad.

- Abra ambas puertas del gabinete a 90°.
- Presione el soporte con terminación entre el cerramiento de acceso al filtro de agua sobre las pantallas.



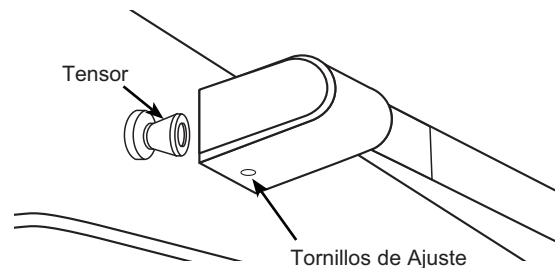
## PASO 10 PREPARACIÓN FINAL DE LA UNIDAD EXTERNA (Cont.)

- Si la instalación requiere una apertura de puerta de 90°, el pin(es) limitador de la bisagra se deberá instalar en la bisagra(s) superior. El perno está ubicado en el kit de materiales.
  - Abra la puerta para exponer el agujero en el soporte de la bisagra trasera e instale el perno limitante. El perno deberá estar completamente colocado en la bisagra o la puerta no se cerrará de forma apropiada.



## PASO 11 INSTALACIÓN DE LA MANIJA

- Asegúrese de que los tornillos de ajuste estén flojos sobre las tapas de la manija. Coloque la manija sobre los tensores de la puerta (recomendamos colocar el lado donde se posiciona el tornillo en la manija hacia el lado menos visible). Asegúrese de sostener la manija de modo tal que no caiga y raye el acabado del electrodoméstico. Asegúrese de que ambas tapas de la manija estén apoyadas sobre la base de la puerta.

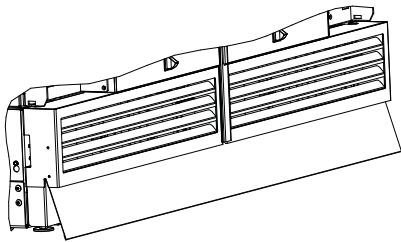


- Bloquee un extremo de la manija en su posición, ajustando el tornillo en la tapa de la manija con la llave Allen de 1/8". Asegúrese de no ajustar en exceso.
- Continúe sosteniendo la manija mientras bloquea el otro extremo de la misma en su posición, ajustando el tornillo en la tapa en la manija con la llave Allen de 1/8". Asegúrese de no ajustar en exceso.
- Repita estas instrucciones en todas las demás manijas.

# Instrucciones de Instalación – Instalación Integrada Dual

## PASO 12 INSTALACIÓN DEL ZÓCALO

- Se incluye un zócalo de acero inoxidable y un imán junto con cada refrigerador. Se podrá adquirir por separado un zócalo de ancho completo (ZKK72R) para instalaciones estándares.
- En los zócalos individuales, adhiera los imanes sobre el lado trasero de los zócalos. La superficie del zócalo sobre la cual se colocará el imán deberá estar limpia y libre de materiales extraños. Centre los imanes de forma vertical y horizontal.
- Posicione el zócalo(s) sobre la parte inferior de las tapas de acceso frontal.



## PASO 13 PREPARACIÓN DE LA UNIDAD INTERNA

- Retire toda la cinta, cartón y gomaespuma de cada unidad.
- Retire de los estantes los cestos de puertas en cajas.
- Retire de la caja e instale los cestos de puerta.
- Instale los tapetes de los cestos de puerta (algunos modelos).
- Instale el Filtro de Olores y el Filtro de Aire Fresco (algunos modelos). Para más detalles, consulte el Manual del Propietario.

## PASO 14 INICIE LA MÁQUINA DE HIELOS

### ⚠ PRECAUCIÓN

Para minimizar el riesgo de lesiones personales, evite el contacto con las partes móviles del mecanismo eyector o con el elemento de calefacción que libera los cubos. No coloque los dedos ni las manos en el mecanismo de la máquina de hielo automática mientras el electrodoméstico se encuentre enchufado.

**Puede llevar entre 12 y 24 horas que un freezer recién instalado comience a fabricar hielo.**

La máquina de hielos producirá siete cubos por ciclo - aproximadamente 15 ciclos en un período de 24 horas - dependiendo de la temperatura del compartimento del freezer, la temperatura ambiente, la cantidad de veces que se abra la puerta y otras condiciones de uso.

Si el freezer se utiliza antes de realizar la conexión del agua a la máquina de hielos, apague esta última manteniendo presionada la tecla **Zone Select (Selección de Área)** hasta que aparezca Ice OFF (Hielo Apagado).

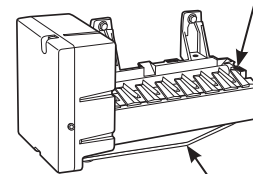
Una vez conectada el agua al suministro de agua, encienda la máquina de hielo manteniendo presionada la tecla **Zone Select (Selección de Área)** hasta que se visualice Ice On (Hielo Encendido).

Descarte la primera cubitera de hielo para permitir que el suministro de agua se limpie.

Asegúrese de que nada interfiera con la extensión del interruptor de energía.

Cuando la cubitera se llene hasta el nivel del interruptor de energía, la máquina de hielos dejará de producir hielo.

(La apariencia puede variar)  
Máquina de hielos



Interruptor de Energía

Es normal que varios de los cubos queden juntos.

Si el hielo no se usa con frecuencia, los cubos de hielo viejos se volverán turbios, con sabor rancio y su tamaño se reducirá.

**NOTA:** La máquina de hielos funciona mejor con una presión hogareña de agua de entre 40 y 120 PSI (275-827 kPa).

**Ajustes del Panel Frontal e Instalación del Marco**  
**Este paso puede ser realizado para todos los tipos de instalación.**



# Instrucciones de Instalación - Ajustes del Panel Frontal e Instalación del Marco

## MATERIALES SUMINISTRADOS (por unidad)



Marcos de Puerta  
6 – Puerta Simple  
10 – Puerta Francesa



Tapas de Marcos  
12 – Puerta Simple  
20 – Puerta Francesa



Llave Allen M5



Llave Allen M4

### ⚠ ADVERTENCIA

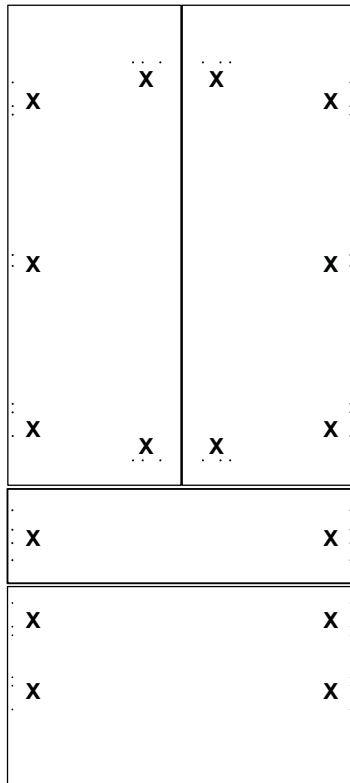


### Riesgo de

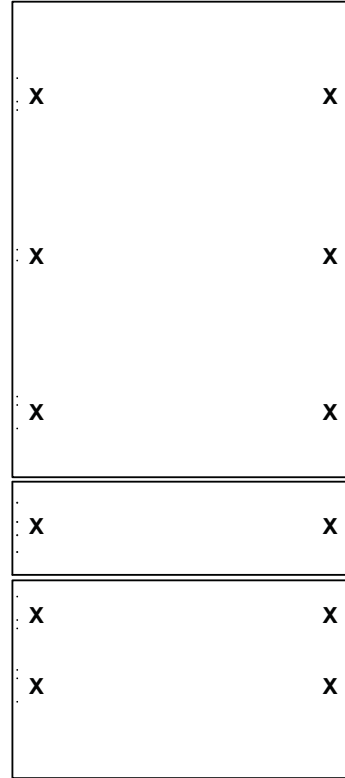
### Lastimadura con el Borde de la Puerta

Una instalación inadecuada puede conducir a riesgos de pellizcos de dedos entre el borde lateral de la puerta y los gabinetes al utilizar la puerta, especialmente con los niños. A fin de minimizar este riesgo, usted deberá seguir las instrucciones de instalación para dimensiones de gabinetes, ensambles de bordes y ángulos de detención de puertas.

## Ubicaciones de los Soportes de Ajuste del Panel



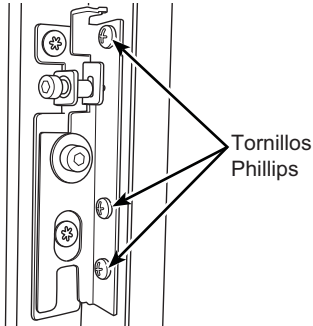
Puerta Francesa



Puerta Simple

## Ajuste de Lado a Lado

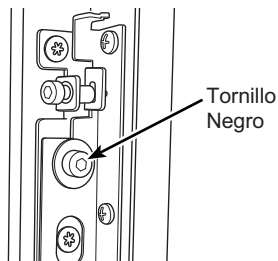
1. Afloje los tornillos Phillips sobre el lado trasero del panel de acero inoxidable en la ubicación de cada soporte.



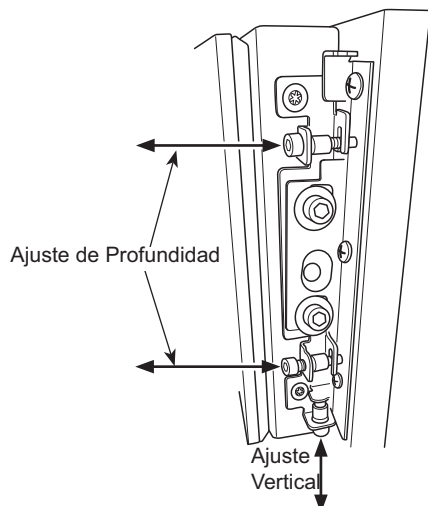
2. Ajuste el panel(es) de lado a lado.
3. Ajuste los tornillos.

## Ajuste de Altura y Profundidad

1. Afloje los tornillos traseros en cada ubicación de los soportes, usando la llave Allen M5.



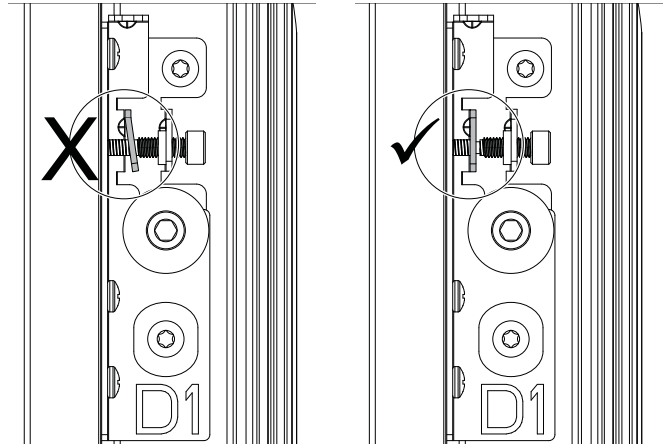
2. Use la llave Allen M4 para ajustar la profundidad y altura del panel de la puerta del refrigerador, a fin de realizar la alineación con los gabinetes adyacentes. No ajuste en exceso los tornillos, ya que las lengüetas del soporte del panel se inclinarán y esto impedirá la adhesión adecuada sobre el marco. Deberá haber un espacio mínimo de 1/8" entre el panel y los gabinetes circundantes.



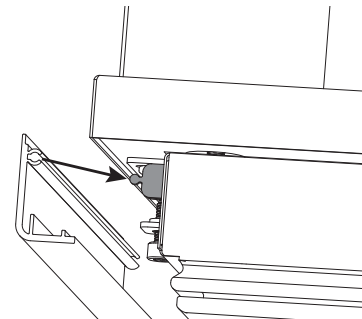
3. Una vez completados los ajustes, finalice el ajuste de los tornillos negros.

## Instalación de los Marcos

1. Antes de instalar los marcos, inspeccione las lengüetas del soporte para verificar que no se encuentren inclinadas (vea la imagen). Las lengüetas deberán estar paralelas al panel para poder instalar los marcos de forma apropiada.

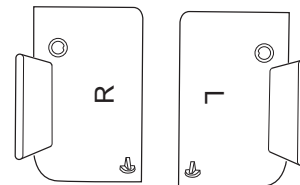


2. Sujete los marcos sobre los soportes para esconder el material de ajuste del panel.



3. Agregue las tapas de los marcos para cubrir los extremos del mismo.

**Nota:** Si las tapas de los marcos no se encuentran niveladas con la parte superior de la puerta, sostenga las tapas superior e inferior al ajustar el marco hacia arriba o hacia abajo, de modo que las tapas no queden flojas. Asegúrese de que las tapas estén niveladas con los marcos luego de realizar el ajuste.



**NOTA:** Al realizar las instalaciones descritas en este libro, se deberán usar anteojos o gafas de seguridad.

**NOTA:** L'amélioration des produits est un effort continu Café Appliances. Por lo tanto, los materiales, el aspecto y las especificaciones están sujetos a cambios sin aviso previo