



# INSTALLATION INSTRUCTIONS

## COMMERCIAL FRONT-LOAD WASHER

# INSTRUCTIONS D'INSTALLATION

## LAVEUSE COMMERCIALE À CHARGEMENT FRONTAL

# INSTRUCCIONES DE INSTALACIÓN

## LAVADORA COMERCIAL DE CARGA FRONTAL

### TABLE OF CONTENTS

<b>WASHER SAFETY</b> .....	<b>2</b>
<b>INSTALLATION REQUIREMENTS</b> .....	<b>3</b>
Tools and Parts.....	3
Options.....	3
Location Requirements .....	3
Drain System.....	4
Electrical Requirements.....	5
<b>INSTALLATION INSTRUCTIONS</b> .....	<b>5</b>
Remove Transport System .....	5
Connect the Inlet Hoses.....	6
Connect the Drain Hose.....	6
Secure the Drain Hose .....	7
Level the Washer .....	7
Complete Installation.....	8
<b>USER &amp; SET-UP INSTRUCTIONS</b> .....	<b>8</b>
General User Information .....	8
Control Set-Up Procedures.....	9
Start Operating Setup .....	9
<b>WASHER CARE</b> .....	<b>11</b>
Cleaning Your Washer .....	11
Water Inlet Hoses .....	12
<b>ASSISTANCE OR SERVICE</b> .....	<b>12</b>

### TABLE DES MATIÈRES

<b>SÉCURITÉ DE LA LAVEUSE</b> .....	<b>13</b>
<b>EXIGENCES D'INSTALLATION</b> .....	<b>14</b>
Outils et pièces.....	14
Options.....	14
Exigences d'emplacement .....	14
Système de vidange.....	15
Spécifications Électriques.....	15
<b>INSTRUCTIONS D'INSTALLATION</b> .....	<b>16</b>
Élimination des accessoires de transport .....	16
Raccordement des tuyaux d'alimentation.....	17
Raccordement du tuyau de vidange .....	17
Immobilisation du tuyau de vidange .....	18
Réglage de l'aplomb de la laveuse .....	18
Achever l'installation .....	19
<b>INSTRUCTION D'UTILISATION ET DE CONFIGURATION</b> .....	<b>19</b>
Informations générales d'utilisation.....	19
Procédures de configuration des commandes..	20
Configuration pour utilisation immédiate .....	20
<b>ENTRETIEN DE LA LAVEUSE</b> .....	<b>22</b>
Nettoyage de la laveuse .....	22
Tuyaux d'arrivée d'eau .....	23
<b>ASSISTANCE OU DÉPANNAGE</b> .....	<b>23</b>

### TABLA DE CONTENIDOS

<b>SEGURIDAD DE LA LAVADORA</b> .....	<b>24</b>
<b>REQUISITOS DE INSTALACIÓN</b> .....	<b>25</b>
Herramientas y piezas .....	25
Opciones .....	25
Requisitos de ubicación .....	25
Sistema de desagüe.....	26
Requisitos eléctricos .....	26
<b>INSTRUCCIONES DE INSTALACIÓN</b> .....	<b>27</b>
Eliminación del sistema de transporte .....	27
Conexión de las mangueras de entrada .....	28
Conexión de la manguera de desagüe .....	28
Ajuste de la manguera de desagüe.....	29
Nivelar la lavadora .....	29
Complete la instalación .....	30
<b>INSTRUCCIONES DE PREPARACIÓN Y PARA EL USUARIO</b> .....	<b>30</b>
Información general del usuario .....	30
Procedimientos de programación del control...31	
Programación para comenzar a usar .....	31
<b>CUIDADO DE LA LAVADORA</b> .....	<b>33</b>
Limpieza de la lavadora.....	33
Mangueras de entrada de agua .....	34
<b>ASISTENCIA O SERVICIO TÉCNICO</b> .....	<b>34</b>

# WASHER SAFETY

## Your safety and the safety of others are very important.

We have provided many important safety messages in this manual and on your appliance. Always read and obey all safety messages.



This is the safety alert symbol.

This symbol alerts you to potential hazards that can kill or hurt you and others.

All safety messages will follow the safety alert symbol and either the word “DANGER” or “WARNING.”

These words mean:

**⚠ DANGER**

You can be killed or seriously injured if you don't immediately follow instructions.

**⚠ WARNING**

You can be killed or seriously injured if you don't follow instructions.

All safety messages will tell you what the potential hazard is, tell you how to reduce the chance of injury, and tell you what can happen if the instructions are not followed.

## IMPORTANT SAFETY INSTRUCTIONS

**WARNING:** To reduce the risk of fire, electric shock, or injury to persons when using the washer, follow basic precautions, including the following:

- Read all instructions before using the washer.
- Do not wash articles that have been previously cleaned in, washed in, soaked in, or spotted with gasoline, dry-cleaning solvents, other flammable, or explosive substances as they give off vapors that could ignite or explode.
- Do not add gasoline, dry-cleaning solvents, or other flammable, or explosive substances to the wash water. These substances give off vapors that could ignite or explode.
- Under certain conditions, hydrogen gas may be produced in a hot water system that has not been used for 2 weeks or more. HYDROGEN GAS IS EXPLOSIVE. If the hot water system has not been used for such a period, before using the washing machine, turn on all hot water faucets and let the water flow from each for several minutes. This will release any accumulated hydrogen gas. As the gas is flammable, do not smoke or use an open flame during this time.
- Do not allow children to play on or in the washer. Close supervision of children is necessary when the washer is used near children.
- Before the washer is removed from service or discarded, remove the door or lid.
- Do not reach into the washer if the drum, tub or agitator is moving.
- Do not install or store the washer where it will be exposed to the weather.
- Do not tamper with controls.
- Do not repair or replace any part of the washer or attempt any servicing unless specifically recommended in this manual or in published user-repair instructions that you understand and have the skills to carry out.
- See “Electrical Requirements” for grounding instructions.

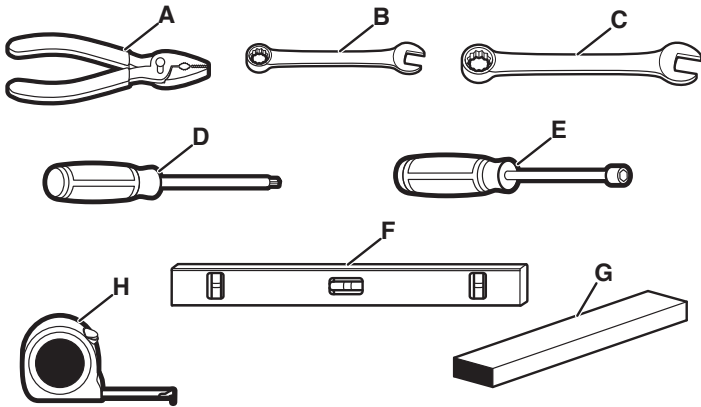
**SAVE THESE INSTRUCTIONS**

# INSTALLATION REQUIREMENTS

## Tools and Parts

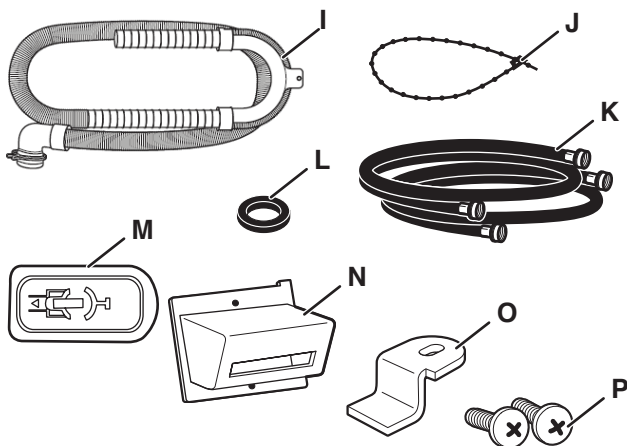
Gather the required tools and parts before starting installation. The parts supplied are in the washer drum.

### Tools & Parts Needed:



- A. Pliers open to 1<sup>9</sup>/<sub>16</sub>" (39 mm)
- B. 1/2" (13 mm) Open end wrench
- C. 9/16" (14 mm) Open end wrench
- D. TORX® T20<sup>®†</sup> security screwdriver
- E. 1/4" (6.3 mm) Nut driver
- F. Level
- G. Wood block
- H. Ruler or measuring tape

### Parts Supplied (actual parts supplied depends on model):



- I. Drain hose with clamp, u-form
- J. Removable tie strap
- K. Water inlet hoses (2)
- L. Inlet hose washers (4)
- M. Transit bold hole plug (4)
- N. Card reader bezel (on some models)
- O. Service door lock cam (on some models)
- P. Screws (on some models)

### Alternate Parts

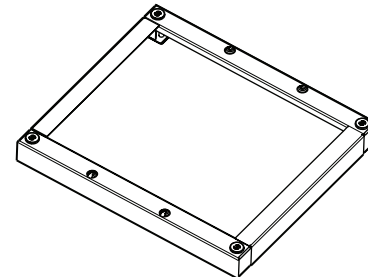
Your installation may require additional parts. If you are interested in purchasing one of the items listed here, call the toll-free number in "Accessories."

If you have	You will need to buy
Laundry tub or standpipe taller than 96" (2.4 m)	Sump pump system (if not already available)
Overhead sewer	Standard 20 gallons (76 L), 30" (762 mm) tall drain tub or utility sink and sump pump (available from local plumbing suppliers)
Floor drain	Siphon break, Part Number 285834; additional drain hose, Part Number 8318155; and connector kit, Part Number 285835
Drain hose too short	4 ft (1.2 m) drain hose extension kit, Part Number DRNEXT4
Water faucets beyond reach of fill hoses	2 longer water fill hoses: 6 ft (1.8 m), Part Number 76314 10 ft (3.0 m), Part Number 8212656PR

## Options

### Pedestal

You have the option of purchasing pedestals separately for this washer. The pedestal will add to the total height of the washer.



Optional pedestal

Pedestal Height	Approximate Height with Washer	Color	Part Number
2 <sup>7</sup> / <sub>8</sub> " (73 mm)	47 <sup>1</sup> / <sub>2</sub> " (1207 mm)	White	WHP0400VW

## Location Requirements

Selecting the proper location for your washer improves performance and minimizes noise and possible washer "walk." Your washer can be installed under a custom counter, or in a basement, laundry room, or recessed area. See "Drain System." Companion appliance location requirements should also be considered. Proper installation is your responsibility.

### You will need:

- A water heater set to deliver 120°F (49°C) water to the washer.
- An grounded electrical outlet located within 6 ft (1.8 m) of where the power cord is attached to the back of the washer. See "Electrical Requirements."
- Hot and cold water taps located within 4 ft (1.2 m) of the hot and cold water fill valves and water pressure of 20–100 psi (137.9–689.6 kPa).

<sup>†</sup>TORX and T20 are registered trademarks of Acument Intellectual Properties, LLC.

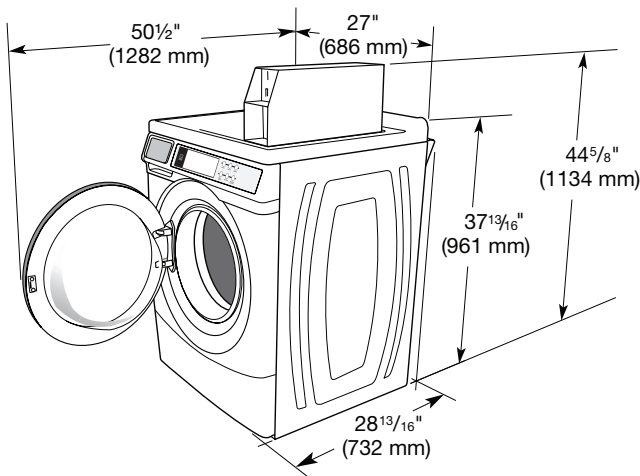
- A level floor with a maximum slope of 1" (25 mm) under entire washer. Installing the washer on soft floor surfaces, such as carpets or surfaces with foam backing, is not recommended.
- A sturdy and solid floor to support the washer with a total weight (water and load) of 400 lbs (180 kg).

Do not operate your washer in temperatures below 32°F (0°C). Some water can remain in the washer and can cause damage in low temperatures.

### Installation clearances

- The location must be large enough to allow the washer door to be fully opened.
- Additional spacing should be considered for ease of installation and servicing. The door opens more than 90° and is not reversible.
- Additional clearances might be required for wall, door, and floor moldings.
- Additional spacing of 1" (25 mm) on all sides of the washer is recommended to reduce noise transfer.
- Companion appliance spacing should also be considered.

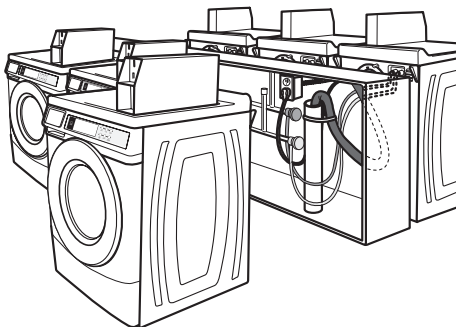
### Washer Dimensions



\*Height without leveling feet installed \*

**NOTE:** The door is not reversible.

A floor drain should be provided under the bulkhead. \* Prefabricated bulkheads with electrical outlets, water inlet lines, and drain facilities should be used only where local codes permit.



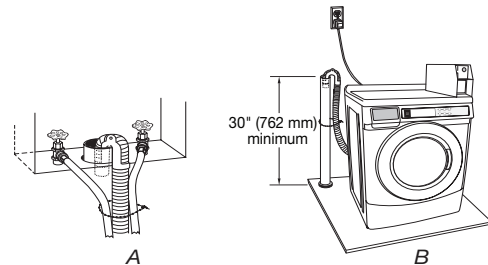
## Drain System

The washer can be installed using the standpipe drain system (floor or wall), the laundry tub drain system, or the floor drain system. Select the drain hose installation method you need. See "Tools and Parts."

### Standpipe drain system – wall or floor (views A & B)

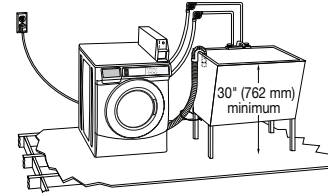
The standpipe drain requires a minimum diameter standpipe of 2" (50 mm). The minimum carry-away capacity can be no less than 12 gallon (45.5 L) per minute, per washer.

The top of the standpipe must be at least 30" (762 mm) high and no higher than 96" (2.4 m) from the bottom of the washer.



### Laundry tub drain system

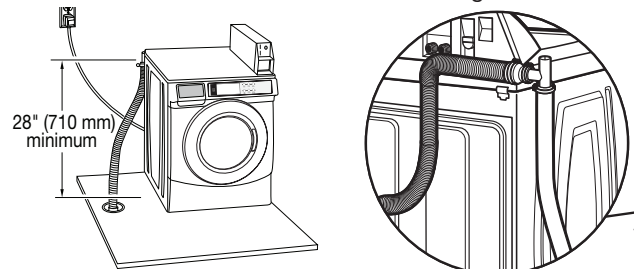
The laundry tub needs a minimum 20 gallons (76 L) capacity. The top of the laundry tub must be at least 30" (762 mm) above the floor.



### Floor drain system

The floor drain system requires a siphon break that may be purchased separately. See "Tools and Parts."

The siphon break must be a minimum of 28" (710 mm) from the bottom of the washer. Additional hoses might be needed.



Back view

## Electrical Requirements

### ⚠ WARNING



#### Electrical Shock Hazard

Plug into a grounded 3 prong outlet.

Do not remove ground prong.

Do not use an adapter.

Do not use an extension cord.

Failure to follow these instructions can result in death, fire, or electrical shock.

- A 120 V, 60 Hz AC only, 15 A or 20 A, fused electrical supply is required. A time-delay fuse or circuit breaker is recommended. It is recommended that a separate circuit serving only this washer be provided.
- This washer is equipped with a power supply cord having a 3 prong grounding plug.
- To minimize possible shock hazard, the cord must be plugged into a mating, 3 prong, grounding-type outlet, grounded in accordance with local codes and ordinances. If a mating outlet is not available, it is the personal responsibility and obligation of the customer to have the properly grounded outlet installed by a qualified electrician.
- If codes permit and a separate ground wire is used, it is recommended that a qualified electrician determine that the ground path is adequate.
- Do not ground to a gas pipe.
- Check with a qualified electrician if you are not sure the washer is properly grounded.
- Do not have a fuse in the neutral or ground circuit.

### GROUNDING INSTRUCTIONS

#### For a grounded, cord-connected washer:

This washer must be grounded. In the event of a malfunction or breakdown, grounding will reduce the risk of electrical shock by providing a path of least resistance for electric current. This washer is equipped with a cord having an equipment-grounding conductor and a grounding plug. The plug must be plugged into an appropriate outlet that is properly installed and grounded in accordance with all local codes and ordinances.

**WARNING:** Improper connection of the equipment-grounding conductor can result in a risk of electric shock. Check with a qualified electrician or serviceman if you are in doubt as to whether the appliance is properly grounded.

Do not modify the plug provided with the appliance – if it will not fit the outlet, have a proper outlet installed by a qualified electrician.

#### For a permanently connected washer:

This washer must be connected to a grounded metal, permanent wiring system, or an equipment grounding conductor must be run with the circuit conductors and connected to the equipment-grounding terminal or lead on the appliance.

## INSTALLATION INSTRUCTIONS

### Remove Transport System

### ⚠ WARNING

#### Excessive Weight Hazard

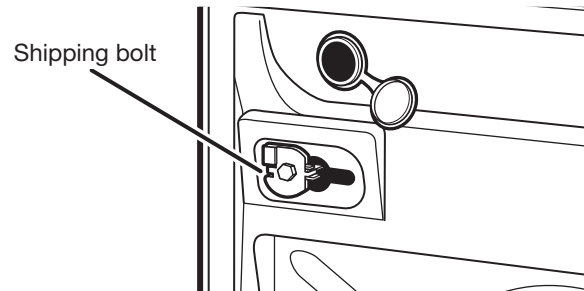
Use two or more people to move and install washer.

Failure to do so can result in back or other injury.

**IMPORTANT:** Position the washer so that the rear of the washer is within approximately 3 ft (900 mm) of its final location.

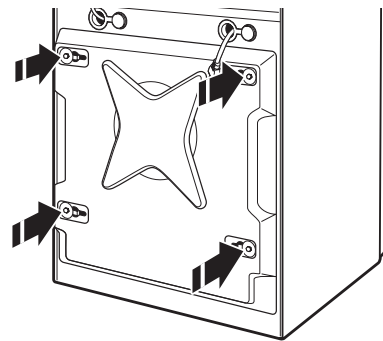
There are 4 shipping bolts in the rear panel of the washer that support the suspension system during transportation. These bolts also retain the power cord inside the washer until the bolts are removed.

1. Keep the washer in the upright position while removing the shipping bolts.



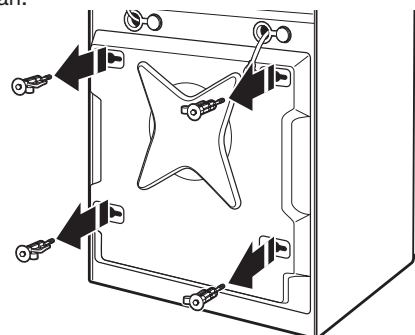
Shipping bolt with plastic spacer

2. Using a 1/2" (13 mm) wrench, loosen each of the bolts.



3. Once the bolt is loose, move it to the center of the hole and completely pull out the bolt, including the plastic spacer and store them in a location for use if the unit needs to be moved at a later date.

**IMPORTANT:** If the washer is to be transported at a later date, call your local service center for new transport bolts if the original set is misplaced. Machine must be transported in the upright position. To avoid structural or suspension damage to your washer, it must be properly set up for relocation by a certified technician.



4. Push the power cord plug into the opening on the right side of the rear panel and pull the power cord through the opening on the left side of the rear panel; then close holes with the attached cap. Do not pull plug end of power cord through the right side hole.

5. Close the bolt holes with the 4 transport bolt hole plugs.

**NOTE:** If the washer is to be transported at a later date, call your product distributor or installer. To avoid suspension and structural damage, your washer must be properly set up for relocation by a trained professional.

### Connect the Inlet Hoses

Insert new flat washers (supplied) into each end of the inlet hoses. Firmly seat the washers in the couplings.

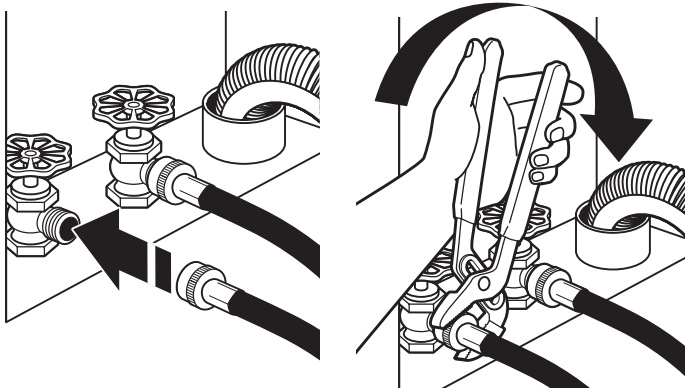


A. Coupling  
B. Washer

### Connect the inlet hoses to water faucets

Make sure the washer drum is empty.

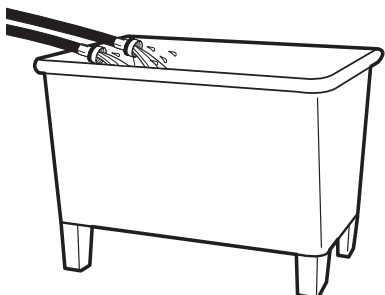
1. Attach a hose to the hot water faucet. Screw on coupling by hand until it is seated on the washer.
2. Attach a hose to the cold water faucet. Screw on coupling by hand until it is seated on the washer.
3. Using pliers, tighten the couplings with an additional two-thirds turn.



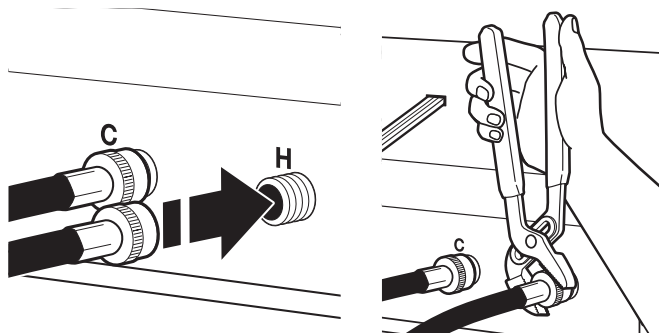
**NOTE:** Do not overtighten or use tape or sealants on the valve. Damage to the valves can result.

### Clear water lines

- Run water through both faucets and inlet hoses, into a laundry tub, drainpipe, or bucket, to get rid of particles in the water lines that might clog the inlet valve screens.
- Check the temperature of the water to make sure that the hot water hose is connected to the hot water faucet and that the cold water hose is connected to the cold water faucet.

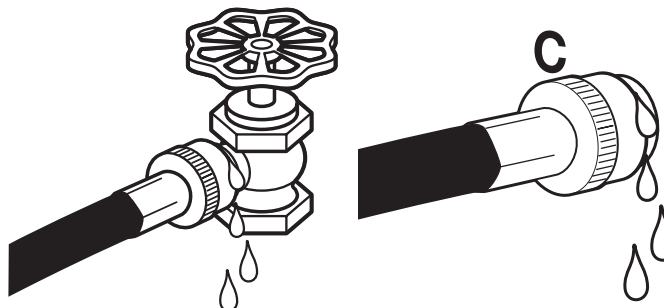


### Connect the inlet hoses to the washer



C. Cold water inlet  
H. Hot water inlet

1. Attach the hot water hose to the check valve on washer's hot (H) water inlet valve. Screw on coupling by hand until it is seated on the check valve.
2. Attach the cold water hose to the check valve on washer's cold (C) water inlet valve. Screw on coupling by hand until it is seated on the check valve.
3. Using pliers, tighten the couplings with an additional two-thirds turn.  
**NOTE:** Do not overtighten. Damage to the coupling can result.
4. Turn on the water faucets completely and check for leaks at water faucets and washer connections.



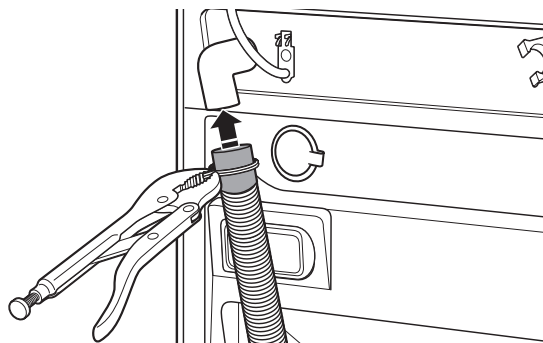
**NOTE:** Replace inlet hoses after 5 years of use to reduce the risk of hose failure. Record hose installation or replacement dates on the hoses for future reference.

Periodically inspect and replace hoses if bulges, kinks, cuts, wear, or leaks are found.

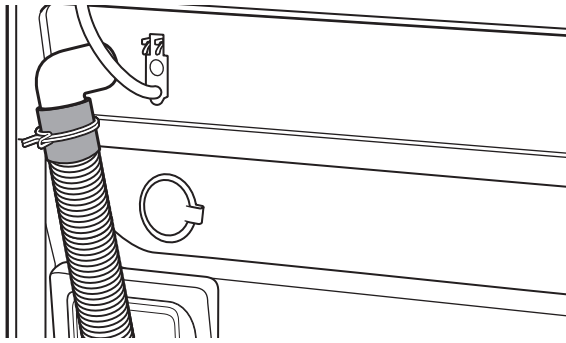
### Connect the Drain Hose

#### Remove drain hose from washer drum

1. Using locking pliers, squeeze hose clamp tabs together and insert over the end of drain hose.
2. Slide drain hose onto washer connection.



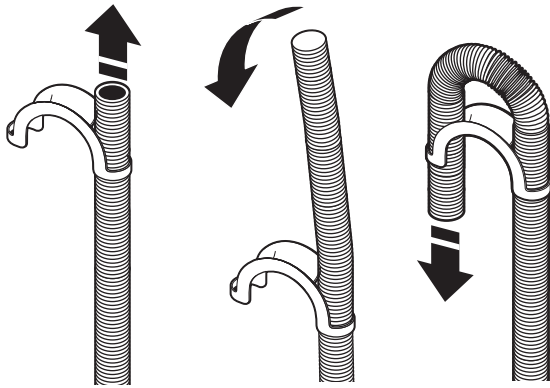
- Once drain hose is in place, release pliers.



Washer drain system can be installed using a floor drain, wall standpipe, floor standpipe, or laundry tub.

### Laundry tub drain or standpipe drain

Connect the drain hose form to the corrugated drain hose.



### To keep drain water from going back into the washer:

- Use the drain hose form and do not force excess drain hose into standpipe. Hose should be secure but loose enough to provide a gap for air.
- Do not lay excess hose on the bottom of the laundry tub.

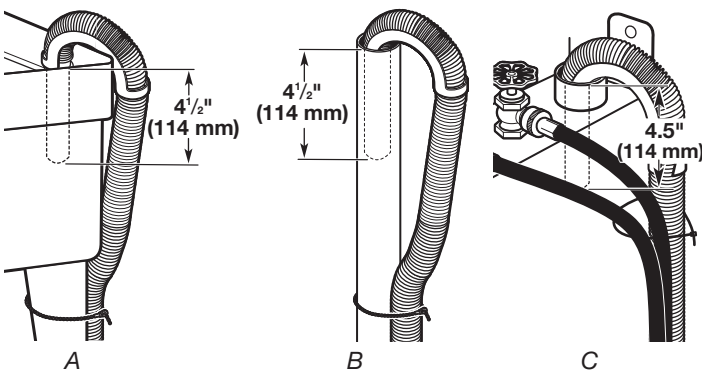
### Floor drain

You may need additional parts. See "Floor drain" under "Tools and Parts."

### Secure the Drain Hose

Drain hose must be secured to stop the hose from moving when water is pumped out. If the drain hose moves, water may end up on the floor.

- Drape the power cord over the washer top.
- Move the washer to its final location.
- Place the drain hose in the laundry tub or standpipe as shown. See illustrations A and B.



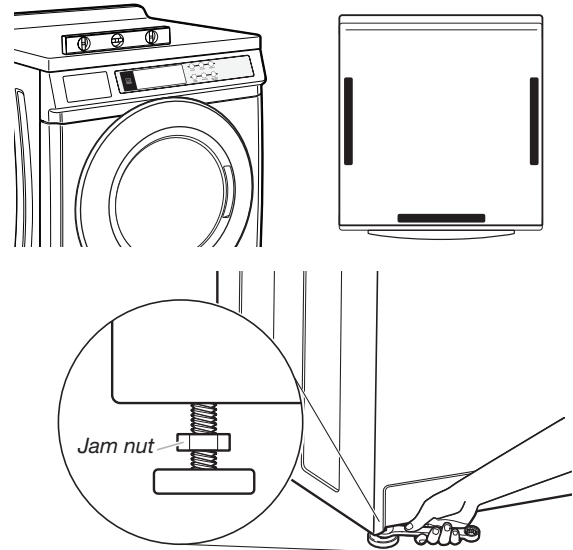
### NOTES:

- Do not force excess drain hose back into the rear of the washer.
- To avoid siphoning, do not seal or put more than 4 1/2" (114 mm) of the drain hose into drainpipe or standpipe.
- If the washer faucets and the drain standpipe are recessed, put the hooked end of the drain hose in the standpipe as shown. See illustration C.
- It is the responsibility of the installer to install and secure the drain hose into the provided plumbing/drain in a manner that will avoid the drain hose coming out of, or leaking from, the plumbing/drain.

### Level the Washer

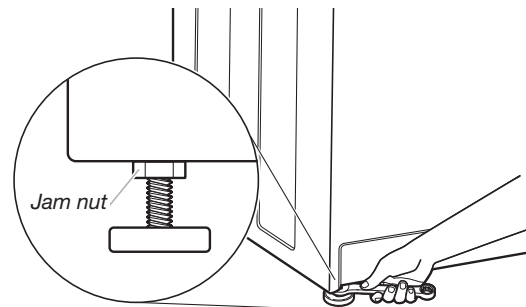
Properly leveling your washer avoids excessive noise and vibration.

- Check the levelness of the washer by placing a level on the top edge of the washer, first side to side, then front to back.



If the washer is against a wall, move the washer out slightly before tipping back. If the washer is not level, first prop the front with a wood block and adjust the feet as necessary; then prop the back and adjust feet as necessary. Repeat this step until washer is level.

- Make sure all 4 feet are stable and resting on the floor. Then check that the washer is perfectly level (use a level).
- After the washer is level, use a 9/16" (14 mm) open-end wrench to turn the nuts on the feet tightly against the washer cabinet.



**IMPORTANT:** All 4 feet must be tightened. If the nuts are not tight against the washer cabinet, the washer may vibrate.

- The washer should not move front to back, side to side, or diagonally when pushed on its top edges.
- Slide the washer to its final location.
- Confirm the levelness of the washer.

## Complete Installation

1. Check the electrical requirements. Be sure that you have the correct electrical supply and the recommended grounding method. See "Electrical Requirements."
2. Check that all parts are now installed. If there is an extra part, go back through the steps to see which step was skipped.
3. Check that you have all of your tools.
4. Dispose of/recycle all packaging materials.
5. Check that the water faucets are on.
6. Check for leaks around faucets and inlet hoses.

7. Plug into a grounded 3 prong outlet.
8. To test and clean your washer, measure 1/2 of the detergent manufacturer's recommended amount of High Efficiency (HE) detergent for a medium-size load. Pour the detergent into the detergent dispenser. Select any cycle and allow the washer to complete one whole cycle.



## ⚠ WARNING



### Electrical Shock Hazard

Plug into a grounded 3 prong outlet.

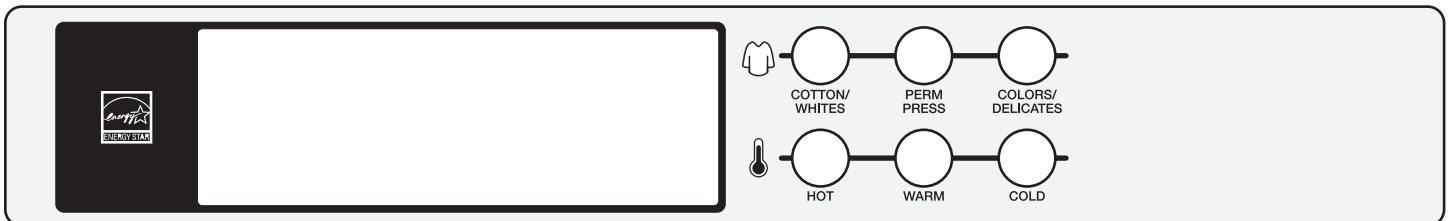
Do not remove ground prong.

Do not use an adapter.

Do not use an extension cord.

Failure to follow these instructions can result in death, fire, or electrical shock.

## USER & SET-UP INSTRUCTIONS



**NOTE:** After the washer has been installed and plugged in, the display may show '0 MINUTES'. Once the washer has been plugged in and the washer door opened and closed, the display will show the price. In washers set for free cycles, the display will flash 'SELECT CYCLE'.

1. Insert coins until 'SELECT CYCLE' flashes in display.
2. Door must be closed before cycle selection is made,
3. Press fabric setting button for the wash cycle desired. After the cycle is started, the time will display and count down.
4. If a cycle is interrupted by opening the door, 'RESELECT CYCLE' will flash in the display. To restart the washer, close door and reselect desired cycle.

- The Heavy Duty cycle has 3 minutes of Prewash, a 14 minutes wash period and 4 rinses, with the option to deselect the extra rinse.
- \$1.75 wash price for Normal and Delicates cycles, \$2.00 for Powerwash (coin models).
- \$0.00 wash price (non-coin models).

### WARM START (after power failure)

A few seconds after power is restored, if a cycle was in progress at the time of the power failure, 'RESELECT CYCLE' will flash in the display, indicating the need for a button press to restart the washer.

### DOOR LOCK

Prior to beginning a cycle, there is a door lock routine of lock/unlock/relock; then the cycle begins. The door will remain locked until the end of a cycle or approximately 2 minutes after a power interruption.

### PRICING

After the door is opened following the completion of a cycle, the display indicates the cycle price (unless set for free operation). As coins are dropped or debit inputs arrive, the display will change to lead the user through the initiation of a cycle.

## General User Information

### '0 MINUTES' SHOWING IN DISPLAY

This indicates the previous cycle is complete or a machine reset was performed. Opening the door will restore the display to the vend price or available state.

### FACTORY DEFAULT SETTING

Washer is programmed at the factory as follows:

- Normal and Delicates cycles have an 11 minutes wash period and 2 rinses, with the option of an extra rinse.



## FREE CYCLES

This is established by setting the cycle price to zero. When this happens, 'SELECT CYCLE' will appear rather than a cycle price.

## DEBIT CARD READY

This washer is debit card 'cable' ready. It will accept a variety of debit card systems but does NOT come with a debit card reader. Refer to the debit card reader manufacturer for proper washer setup. In models converted to a Generation 1 debit card system, debit pulses represent the equivalent of one coin (coin 1).

## Control Set-Up Procedures

**IMPORTANT:** Read all instructions before operating.

**Coin Models:** Insert access door key, turn, and lift to remove access door.

**Non-Coin Models:** Once the debit card reader is installed (according to the reader manufacturer's instructions), the set-up mode can only be entered by inserting a set-up card (supplied by the reader manufacturer) into the card slot. If a set-up card is not available, diagnostic modes can be entered by removing service connector on the circuit board or by using the Service Access Code (see "Service Access Code" section, page 11) for Non-Coin models.

## ⚠ WARNING



### Electrical Shock Hazard

**Disconnect power before servicing.**

**Replace all parts and panels before operating.**

**Failure to do so can result in death or electrical shock.**

**IMPORTANT:** Unplug washer or disconnect power before opening the console. To access service connector:

1. Unplug washer or disconnect power.
2. Open console, disconnect plug on service connector, and close console.
3. Plug in washer or reconnect power.

The washer is now in the set-up mode. The lower 3 button and the digital display are used to set up the controls. The display can contain 4 numbers and/or letters and a decimal point. These are used to indicate the set-up codes and related code values available for use in programming the washer.

## HOW TO USE THE BUTTONS TO PROGRAM THE CONTROLS

1. The Hot button is used to adjust the values associated with set-up codes. Pressing the button will change the value by increments. Rapid adjustment is possible by holding down the button.
2. The Warm button will advance through the set-up codes. Pressing the button will advance to the next available set-up code. Holding the button down will automatically advance through the set-up codes at a rate of 1 per second.
3. The Cold button is used to select or deselect options.

## Start Operating Setup

Before proceeding, it is worth noting that, despite all of the options available, an owner can simply choose to uncrate a new commercial washer, hook it up, plug it in, and have a washer that operates.

Washers are preset at the factory for an 11 minutes wash period and 3 rinses (no extra rinse).

## SET-UP CODES

CODE	EXPLANATION
<b>608</b>	<b>REGULAR CYCLE PRICE</b>
<b>608</b>	Represents the number of Coin or Debit inputs, (See VALUE OF COIN 1) required to start a cycle. Adjust from 0-39 by pressing Hot button. Advance pressing the Warm button.
<b>601</b>	When the d.xx is set to d.CS, this 6 xx value represents the number of push-in actuations of the coin slide to start the washer. 6 01 would equal one coin slide activation. → Press the WARM button once to advance to next code.
<b>711</b>	<b>WASH LENGTH</b>
<b>711</b>	This is the number of minutes for WASH. Washer comes from the factory preset with 11 minutes. Choose from 9-17 minutes by pressing the HOT button. → Press the WARM button once to advance to next code.
<b>800</b>	<b>ADDITIONAL RINSE OPTION</b> This option is either SELECTED 'ON' or NOT SELECTED 'OFF'.
<b>800</b>	Not Selected 'OFF'.
<b>8Ar</b>	Selected 'ON'. Press the COLD button once for this selection. → Press the WARM button once to advance to next code.
<b>900</b>	<b>CYCLE COUNTER OPTION</b> This option is either SELECTED 'ON' or NOT SELECTED 'OFF'.
<b>900</b>	Not Selected 'OFF'.
<b>90C</b>	Selected 'ON' and not able to be deselected. Press the COLD button 3 consecutive times to select 'ON'. Once selected 'ON' it cannot be deselected. → Press the WARM button once to advance to next code.
<b>1.00</b>	<b>MONEY COUNTER OPTION</b> This option is either SELECTED 'ON' or NOT SELECTED 'OFF'.
<b>1.00</b>	Not Selected 'OFF'.
<b>1.0C</b>	Selected 'ON'. Press the COLD button 3 consecutive times to select 'ON' and 3 consecutive times to deselect (Not Selected 'OFF'.) Counter resets by going from 'OFF' to 'ON'. → Press the WARM button once to advance to next code.
<b>1.C0</b>	Selected 'ON' and not able to be deselected. To select 'ON' and not able to be deselected, first select 'ON', then within 2 seconds press the COLD button twice, the HOT button once, and exit the set-up mode. → Press the WARM button once to advance to next code.
<b>2.00</b>	<b>SPECIAL PRICING OPTION</b> This option is either SELECTED 'ON' or NOT SELECTED 'OFF'.
<b>2.00</b>	Not Selected 'OFF', and next available code will be A.00.
<b>2.SP</b>	Selected 'ON'. Press the COLD button once for this selection. <b>If SPECIAL PRICING OPTION is selected, you have access to codes '3.XX' through '9.XX'.</b> → Press the WARM button once to advance to next code.
<b>OPTIONS TO USE IF SPECIAL PRICING IS SELECTED:</b>	
<b>3.08</b>	<b>SPECIAL CYCLE PRICE</b>
<b>3.08</b>	Represents the number of Coins or Debit inputs (coin 1) to start a cycle: may adjust from 0-39. (See VALUE OF COIN 1.) Advance from 0-39 by pressing the HOT button.
<b>3.00</b>	Non-Coin MODELS ONLY: Factory default of 0. → Press the WARM button once to advance to next code.

CODE	EXPLANATION																								
<b>OPTIONS TO USE IF SPECIAL PRICING IS SELECTED (cont.):</b>																									
<b>5.00</b>	<b>TIME-OF-DAY CLOCK, MINUTES</b>																								
<b>5.00</b>	This is the TIME-OF-DAY CLOCK, minute setting; select 0-59 minutes by pressing the HOT button. → Press the WARM button once to advance to next code.																								
<b>6.00</b>	<b>TIME-OF-DAY CLOCK, HOURS</b> <b>NOTE:</b> Uses 24-hour clock.																								
<b>6.00</b>	This is the TIME-OF-DAY CLOCK, hour setting; select 0-23 hours by pressing the HOT button. → Press the WARM button once to advance to next code.																								
<b>7.00</b>	<b>SPECIAL PRICE START HOUR</b> <b>NOTE:</b> Uses 24-hour clock.																								
<b>7.00</b>	This is the start hour; 0-23 hours. Select START HOUR by pressing the HOT button. → Press the WARM button once to advance to next code.																								
<b>8.00</b>	<b>SPECIAL PRICE STOP HOUR</b> <b>NOTE:</b> Uses 24-hour clock.																								
<b>8.00</b>	This is the stop hour; 0-23 hours. Select STOP HOUR by pressing the HOT button. → Press the WARM button once to advance to next code.																								
<b>9.10</b>	<b>SPECIAL PRICE DAY</b>																								
<b>9.10</b>	This represents the day of the week and whether special pricing is selected for that day. A number followed by '0' indicates no selection that particular day (9.10). A number followed by an 'S' indicates selected for that day (9.1S). To change the value of '0' and 'S', use the COLD button. Days of the week (1-7) are selected by pressing the HOT button. When exiting set-up code '9', the display must show current day of week: <table border="1" style="margin-left: 20px;"> <thead> <tr> <th>DISPLAY</th> <th>DAY OF WEEK</th> <th>CODE (selected)</th> </tr> </thead> <tbody> <tr><td>10</td><td>Day 1 = Sunday</td><td>1S</td></tr> <tr><td>20</td><td>Day 2 = Monday</td><td>2S</td></tr> <tr><td>30</td><td>Day 3 = Tuesday</td><td>3S</td></tr> <tr><td>40</td><td>Day 4 = Wednesday</td><td>4S</td></tr> <tr><td>50</td><td>Day 5 = Thursday</td><td>5S</td></tr> <tr><td>60</td><td>Day 6 = Friday</td><td>6S</td></tr> <tr><td>70</td><td>Day 7 = Saturday</td><td>7S</td></tr> </tbody> </table> → Press the WARM button once to advance to next code.	DISPLAY	DAY OF WEEK	CODE (selected)	10	Day 1 = Sunday	1S	20	Day 2 = Monday	2S	30	Day 3 = Tuesday	3S	40	Day 4 = Wednesday	4S	50	Day 5 = Thursday	5S	60	Day 6 = Friday	6S	70	Day 7 = Saturday	7S
DISPLAY	DAY OF WEEK	CODE (selected)																							
10	Day 1 = Sunday	1S																							
20	Day 2 = Monday	2S																							
30	Day 3 = Tuesday	3S																							
40	Day 4 = Wednesday	4S																							
50	Day 5 = Thursday	5S																							
60	Day 6 = Friday	6S																							
70	Day 7 = Saturday	7S																							
<b>A.00</b>	<b>VAULT VIEWING OPTION</b> This option is either SELECTED 'ON' or NOT SELECTED 'OFF'.																								
<b>A.00</b>	Not Selected 'OFF'.																								
<b>A.SC</b>	Selected 'ON'. Press the COLD button once for this selection. When selected, the money and/or cycle counts will be viewable (if counter option[s] is selected) when the coin box is removed. → Press the WARM button once to advance to next code.																								
<b>b.05</b>	<b>VALUE OF COIN 1</b>																								
<b>b.05</b>	This represents the value of coin 1 in the number of \$0.05 increments of the larger coin value. Example: 5 x \$0.05 = \$0.25. By pressing the Hot button, there is the option of 1-199 in quantity of \$0.05 increments. With coin slide activation, this represents the total vend price. → Press the WARM button once to advance to next code.																								
<b>C.20</b>	<b>VALUE OF COIN 2</b>																								
<b>C.20</b>	This represents the value of coin 2 in the number of \$0.05 increments of the larger coin value. Example: 20 x \$0.05 = \$1.00. By pressing the Hot button, there is the option of 1-199 in quantity of \$0.05 increments. → Press the WARM button once to advance to next code.																								

CODE	EXPLANATION
<b>d.00</b>	<b>COIN SLIDE OPTION</b> This option is either SELECTED 'ON' or NOT SELECTED 'OFF'.
<b>d.00</b>	Not Selected 'OFF'.
<b>d.CS</b>	Selected 'ON'. Press the COLD button 3 consecutive times for this selection. When coin slide mode is selected, set 'b.' equal to value of slide in \$0.05 increments. Set step 6 (regular cycle price) and step 3 (special cycle price) to number of slide operations. If the installer sets up 'CS' on a coin drop model, it will not register coins. → Press the WARM button once to advance to next code.
<b>E.00</b>	<b>ADD COINS OPTION</b> This option is either SELECTED 'ON' or NOT SELECTED 'OFF'. This option causes the customer display to show the number of coins (coin 1) to enter, rather than the monetary amount.
<b>E.00</b>	Not Selected 'OFF'.
<b>E.AC</b>	Selected 'ON'. Press the COLD button 3 consecutive times for this selection. → Press the WARM button once to advance to next code.
<b>F.00</b>	<b>ENHANCED PRICING OPTION</b>
<b>F.00</b>	Not Selected 'OFF'.
<b>F.SU</b>	Super Cycle pricing enabled. This option allows customers to upgrade cycles by depositing extra money. Set-up codes 'H.' and 'h.' will be displayed only when this option is enabled. Press the COLD button for this selection. → Press the WARM button once to advance to next code.
<b>H.01</b>	<b>SUPER CYCLE UPGRADE PRICE</b> (Skipped unless Super Cycle pricing is enabled.)
<b>H.01</b>	This represents the number of coin 1 required to upgrade a base cycle to a super cycle. Advance from 0-33 by pressing the HOT button. → Press the WARM button once to advance to next code.
<b>h.01</b>	<b>SUPER CYCLE TYPE</b> (Skipped unless Super Cycle pricing is enabled.)
<b>h.01</b>	This represents the Super Cycle upgrade option. Press the HOT button to step through upgrade options 1 through 3 as follows: 01 - enhanced wash, extra 3 minutes of wash tumble in addition to the programmed wash time. 02 - extra rinse for all cycles. 03 - both 01 and 02. → Press the WARM button once to advance to next code.
<b>J.Cd</b>	<b>COIN/DEBIT OPTION</b>
<b>J.Cd</b>	Both coin & debit selected. Press the COLD button 3 consecutive times to change this selection. (Default for 9150 models)
<b>J.C_</b>	Coins selected, debit disabled. Press the COLD button 3 consecutive times to change this selection.
<b>J._d</b>	Debit Card selected, coins disabled. Press the COLD button 3 consecutive times to change this selection. (Default for Non-Coin models)
<b>J.Ed</b>	Enhanced Debit is self-selected when a Generation 2 card reader is installed in the washer. The Ed option cannot be manually selected or deselected. → Press the WARM button once to advance to next code.

CODE	EXPLANATION
<b>L.00</b>	<b>PRICE SUPPRESSION OPTION</b> This option causes the customer display to show 'ADD' or 'AVAILABLE' rather than the amount of money to add. (Used mainly in debit installations.)
<b>L.00</b>	Not Selected 'OFF'.
<b>L.PS</b>	Selected 'ON'. Press the COLD button once for this selection. → Press the WARM button once to advance to next code.
<b>n.CE</b>	<b>CLEAR ESCROW OPTION</b> When selected, money held in escrow for 30 minutes without further escrow or cycle activity will be cleared.
<b>n.00</b>	Not selected 'OFF'.
<b>n.CE</b>	Selected 'ON'. Press the COLD button once for this selection. → Press the WARM button once to advance to next code.
<b>U.00</b>	<b>COIN (HUNDREDTH) INCREMENT OFFSET</b>
<b>U.00</b>	This represents the penny increment price offset used with Gen. 2 card readers. Choose from 0-4 pennies by pressing the HOT button. → Press the WARM button once to advance to next code.
<b>A1.00</b>	<b>PREWASH LENGTH</b>
<b>A1.00</b>	This is the number of minutes of PREWASH. Choose 00 to disable the prewash or select between 02 and 07 minutes by pressing the HOT button. → Press the WARM button once to advance to next code.

If cycle counter (9 0C) is selected, the following is true:			
1 00	Represents the number of cycles in HUNDREDS	1 02 =	200
2 00	Represents the number of cycles in ONES	2 25 =	25
TOTAL CYCLES		=	225
This is "VIEW ONLY" and cannot be cleared.			
Press the Temperature keypad once to advance to next code.			
If money counter (1.0C or 1.C0) is selected, the following is true:			
3 00	Number of dollars in HUNDREDS	3 01 =	\$100.00
4 00	Number of dollars in ONES	4 68 =	\$ 68.00
5 00	Number of CENTS	5 75 =	\$ 00.75
TOTAL		=	\$168.75

### SERVICE ACCESS CODE

This code can be entered to access service mode without removing the console. It only functions on washers set up for 0 vend price, and the Coin/Debit Option must be set to "J\_d". If the washer is not in failure mode, the door must be opened to proceed. Service Access Code contains 4 steps. Perform the following steps:

1. Press the upper left keypad.
2. Press the lower right keypad.
3. Press the upper right keypad.
4. Press the lower left keypad.

**NOTE:** If the Service Access Code procedure is not completed properly, as noted above, there is a 15-second delay before it can be attempted again.

### There are 3 options to exit from the Service Mode:

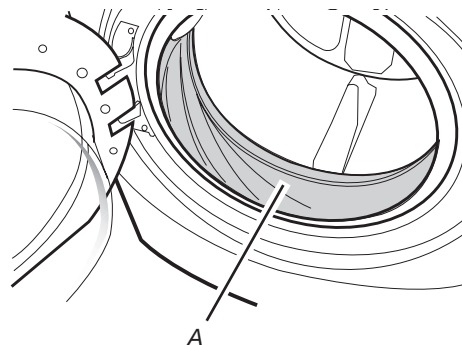
1. From Set-up Code 8, press keypad #1 for 4 seconds.
2. Wait 2 minutes without touching any keypads (without diagnostic modes running).
3. Power down the washer; then reapply power.

# WASHER CARE

## Cleaning Your Washer

### Cleaning the Door Seal/Bellow

1. Open the washer door and remove any clothing or items from the washer.
2. Inspect inner glass door. If debris is present, wipe off debris using damp cloth.
3. Inspect the colored seal/bellow between the door opening and the drum for stained areas. Pull back the seal/bellow to inspect all areas under the seal/bellow and to check for foreign objects.



A. Seal/Bellow

4. If stained areas are found, wipe down these areas of the seal/bellow using the procedure that follows:
  - a) Mix a dilute solution, using 3/4 cup (177 mL) of liquid chlorine bleach, and 1 gallon (3.8 L) of warm tap water.
  - b) Wipe the seal/bellow area with the dilute solution, using a damp cloth.
  - c) Let stand 5 minutes.
  - d) Wipe down area thoroughly with a dry cloth and let the washer interior air dry with door open.

### IMPORTANT:

- Wear rubber gloves when cleaning for prolonged periods.
- Refer to the bleach manufacturer's instructions for proper use.

### Washer Maintenance Procedure

This washer has a special cycle that uses higher water volumes in combination with liquid chlorine bleach to thoroughly clean the inside of the washer.

### NOTES:

- Read these instructions completely before beginning the cleaning process.
- If necessary, the cleaning cycle may be interrupted by pressing the COLD keypad twice. However, this will not immediately stop the cycle. The washer will continue with several rinse and drain steps to ensure that all remaining bleach is rinsed from the washer.

### Begin procedure

1. Open the washer door and remove any clothing or items from the washer.
2. **Use liquid chlorine bleach:**  
Open the dispenser drawer and immediately add 2/3 cup (160 mL) of liquid chlorine bleach to the bleach compartment.  
**NOTE:** Do not add any detergent to this cycle. Use of more than 2/3 cup (160 mL) of bleach will cause product damage over time.
3. Close the washer door and the dispenser drawer.

4. To start the Clean Washer cycle, first enter “Start Operating Set-up.” Then press and hold COLD for 1 second. With the entire display flashing, press COLORS/DELICATES.

**NOTE:** The drum will rotate, then the door will unlock, lock again, and then the cycle will continue.

- The washer will not fill, but the drum will rotate while the washer runs a short sensing cycle. This will take approximately 3 minutes.
5. The cycle will determine whether clothing or other items are in the washer.
    - a) If no items are detected in the washer, it will proceed to Step 7.
    - b) If any items are detected in the washer, “rL” or “F-34” will be displayed. Then the door will unlock.
  - Press COLD to cancel the failure code. Then repeat steps 1, 3, and 4 to start the cycle again.
  6. Once the cycle has begun, allow the cycle to complete.
  7. After the cycle is complete, leave the door open slightly to allow for better ventilation and drying of washer interior.

**Always do the following to maintain washer freshness:**

- Use only “HE” High Efficiency detergent.
- Leave the door slightly open after each cycle to allow for better ventilation and drying of washer interior.
- Clean the washer monthly using the Washer Maintenance Procedure and 2/3 cup (160 mL) of liquid chlorine bleach.
- If the procedure does not sufficiently improve the washer freshness, please evaluate your installation and usage conditions for other causes.

---

### Cleaning the exterior

---

Use a soft damp cloth or sponge to wipe up any spills. Occasionally wipe the outside of your washer to keep it looking new. Use mild soap and water. Do not use abrasive products.

---

### Cleaning the dispenser drawer

---

The dispenser drawer is removable for easy cleaning.

1. Unlock the dispenser drawer by pressing the Release Lever. Remove the drawer.
2. Remove the inserts (the siphon from the softener and bleach compartments).
3. Wash the parts under running water.

**NOTE:** Do not wash components in the dishwasher.
4. Re-install the inserts and return the dispenser to the drawer.

### Water Inlet Hoses

Replace water inlet hoses after 5 years of use to reduce the risk of hose failure. Periodically inspect and replace water inlet hoses if bulges, kinks, cuts, wear, or leaks are found.

When replacing your water inlet hoses, mark the date of replacement on the label with a permanent marker.

## ASSISTANCE OR SERVICE

**If you need assistance:**

Contact the distributor where the washer was purchased; locate an authorized Whirlpool Commercial Laundry distributor or visit [www.whirlpoolcommerciallaundry.com](http://www.whirlpoolcommerciallaundry.com).

When you call, have the washer model number and serial number. Both numbers can be found on the serial/rating plate located on your washer.

# SÉCURITÉ DE LA LAVEUSE

## Votre sécurité et celle des autres est très importante.

Nous donnons de nombreux messages de sécurité importants dans ce manuel et sur votre appareil ménager. Assurez-vous de toujours lire tous les messages de sécurité et de vous y conformer.



Voici le symbole d'alerte de sécurité.

Ce symbole d'alerte de sécurité vous signale les dangers potentiels de décès et de blessures graves à vous et à d'autres.

Tous les messages de sécurité suivront le symbole d'alerte de sécurité et le mot "DANGER" ou "AVERTISSEMENT". Ces mots signifient :

**⚠ DANGER**

**Risque possible de décès ou de blessure grave si vous ne suivez pas immédiatement les instructions.**

**⚠ AVERTISSEMENT**

**Risque possible de décès ou de blessure grave si vous ne suivez pas les instructions.**

Tous les messages de sécurité vous diront quel est le danger potentiel et vous disent comment réduire le risque de blessure et ce qui peut se produire en cas de non-respect des instructions.

## IMPORTANTES INSTRUCTIONS DE SÉCURITÉ

**AVERTISSEMENT** : Afin de réduire le risque d'incendie, de décharge électrique ou de blessures lors de l'utilisation de la laveuse, il convient d'observer certaines précautions fondamentales, notamment :

- Lire toutes les instructions avant d'utiliser la laveuse.
- Ne pas laver d'articles qui ont été précédemment nettoyés, lavés, trempés ou tachés avec de l'essence, des solvants pour nettoyage à sec et d'autres substances inflammables ou explosives; ces substances dégagent des vapeurs qui pourraient s'enflammer ou exploser.
- Ne pas ajouter d'essence, de solvants pour nettoyage à sec ou d'autres substances inflammables ou explosives à l'eau de lavage. Ces substances dégagent des vapeurs qui pourraient s'enflammer ou exploser.
- Dans certaines conditions, un système d'eau chaude qui n'a pas été utilisé depuis 2 semaines ou plus peut produire de l'hydrogène. L'HYDROGÈNE EST UN GAZ EXPLOSIF. Si le système d'eau chaude est resté inutilisé pendant une telle période, ouvrir tous les robinets d'eau chaude et laisser l'eau s'y écouler pendant plusieurs minutes avant d'utiliser la laveuse. Ceci libérera toute accumulation d'hydrogène. Le gaz est inflammable : ne pas fumer ou utiliser une flamme nue durant cette période.
- Ne pas laisser des enfants jouer sur la laveuse ou à l'intérieur de celui-ci. Une surveillance étroite des enfants est nécessaire lorsque la laveuse est utilisée à proximité d'enfants.
- Retirer la porte ou le couvercle de la laveuse avant de le retirer du service ou de le mettre au rebut.
- Ne pas accéder à l'intérieur de la laveuse si le tambour, la cuve ou l'agitateur sont en mouvement.
- Ne pas installer ou entreposer la laveuse dans un endroit où elle serait exposée aux intempéries.
- Ne pas effectuer d'intervention non autorisée sur les commandes.
- Ne pas réparer ou remplacer une quelconque pièce de la laveuse ou effectuer tout entretien qui ne serait pas expressément recommandé dans ce manuel ou dans des instructions de réparation par l'utilisateur que vous comprenez et que vous êtes capables d'exécuter.
- Consulter les instructions d'installation pour savoir comment effectuer la mise à la terre.

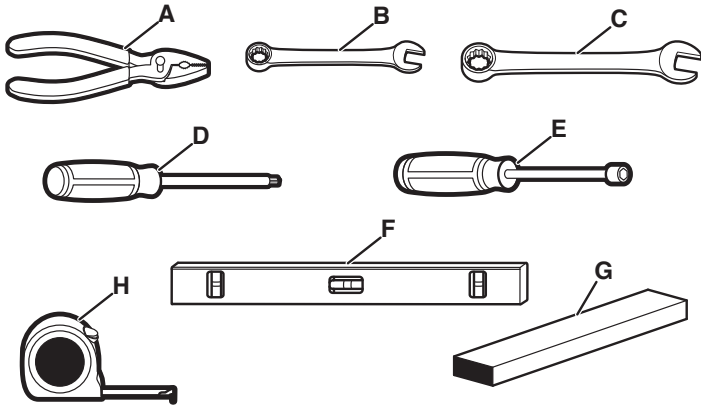
## CONSERVER CES INSTRUCTIONS

# EXIGENCES D'INSTALLATION

## Outils et pièces

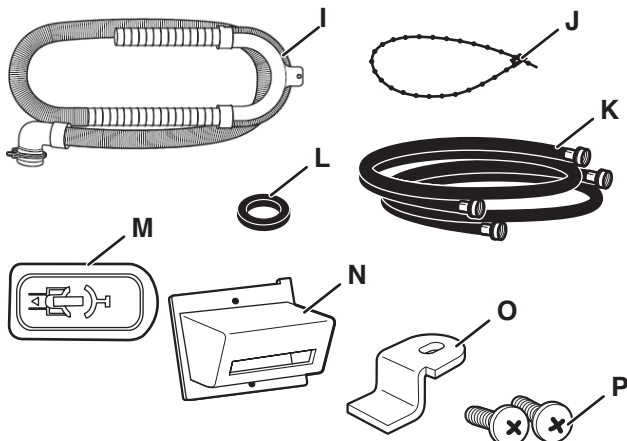
Rassembler les outils et pièces nécessaires avant d'entreprendre l'installation. Les pièces fournies se trouvent dans le tambour de la laveuse.

### Outils et pièces nécessaires :



- A. Pince – ouverture jusqu'à 1 9/16 po (39 mm)
- B. Clé ouverte de 1/2 po (13 mm)
- C. Clé ouverte de 9/16 po (14 mm)
- D. Tournevis de sécurité Torx® T20®†
- E. Tourne-écrou de 1/4 po (6,3 mm)
- F. Niveau
- G. Cale en bois
- H. Règle ou ruban à mesurer

### Pièces fournies (les pièces fournies dépendent du modèle) :



- I. Tuyau d'évacuation avec bride, forme en U
- J. Attache de fixation amovible
- K. Tuyaux d'admission d'eau (2)
- L. Rondelle pour tuyau d'alimentation (4)
- M. Bouchon pour les trous des gras de transport (4)
- N. Cadre du lecteur de cartes (sur certains modèles)
- O. Came de verrouillage de la porte de service (sur certains modèles)
- P. Vis (sur certains modèles)

## Pièces facultatives

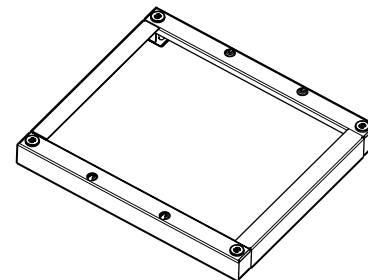
Il se peut que l'installation nécessite des pièces supplémentaires. Pour acheter l'un des articles indiqués ici, composer le numéro sans frais indiqué à la section « Accessoires ».

Si vous avez	Vous devez acheter
Évier de buanderie ou tuyau de rejet à l'égout plus haut que 96 po (2,4 m)	Système de pompe de puisard (si pas déjà en place)
Égout surélevé	Tuyau rigide d'évacuation standard de 20 gal (76 L) de 30 po (762 mm) de haut ou évier de décharge et pompe de puisard (offerts chez les vendeurs de matériel de plomberie locaux)
Vidange au plancher	Brise-siphon, numéro de pièce 285834, tuyau de vidange supplémentaire, numéro de pièce 8318155 et trousse de connexion, numéro de pièce 285835
Tuyau de vidange trop court	Trousse de rallonge du tuyau de vidange de 4 pi (1,2 m), pièce no DRNEXT4
Robinets d'eau hors d'atteinte des tuyaux d'alimentation	2 tuyaux d'admission d'eau plus longs : 6 pi (1,8 m), pièce no 76314 10 pi (3 m), pièce no 8212656PR

## Options

### Piédestal

Vous pouvez acheter séparément des piédestaux pour cette laveuse. Les piédestaux augmenteront la hauteur totale de la laveuse.



Piédestal facultatif

Hauteur du piédestal	Hauteur approximative avec laveuse	Couleur	Référence
2 7/8 po (73 mm)	47 1/2 po (1207 mm)	Blanc	WHP0400VW

## Exigences d'emplacement

Le choix d'un emplacement approprié pour la laveuse en améliore le rendement et réduit au minimum le bruit et le « déplacement » de la laveuse.

La laveuse peut être installée sous un comptoir personnalisé, dans un sous-sol, une salle de buanderie ou un encastrement. Voir la section « Système de vidange ».

Il faut aussi prendre en compte les exigences d'emplacement des appareils voisins. C'est à l'utilisateur qu'incombe la responsabilité de réaliser une installation correcte.

### Il vous faudra :

- Un chauffe-eau pour fournir de l'eau à 120 °F (49 °C) à la laveuse.
- Une prise électrique reliée à la terre située à moins de 6 pi (1,8 m) de la prise du cordon électrique se trouvant à l'arrière de la laveuse. Consulter les « Spécifications électriques ».
- Des robinets d'eau chaude et froide situés à 4 pi (1,2 m) des valves de remplissage d'eau chaude et froide et une pression d'eau de 20-100 psi (137,9-689,6 kPa).

†TORX et T20 sont des marques déposées d'Acument Intellectual, LLC.

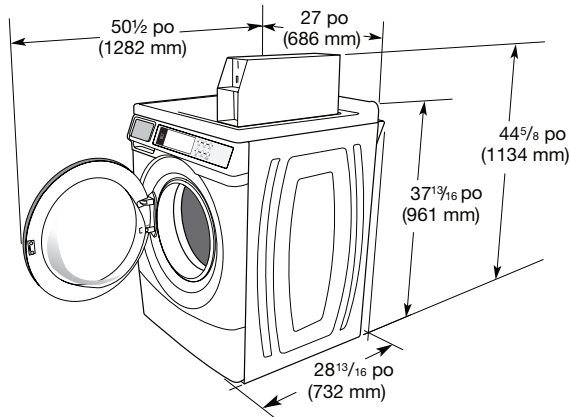
- Un plancher de niveau avec une pente maximale de 1 po (25 mm) sous l'ensemble de la laveuse. L'installation de la laveuse sur des surfaces molles, comme un tapis ou des surfaces avec sous-couche en mousse n'est pas recommandée.
- Un plancher robuste et solide capable de soutenir le poids total de la laveuse (eau et charge) de 400 lb (180 kg).

Ne pas faire fonctionner la laveuse à des températures inférieures à 32 °F (0 °C). Une quantité d'eau peut demeurer dans la laveuse et causer des dommages à des températures basses.

#### Distances de dégagement à respecter

- L'emplacement doit être assez grand pour permettre d'ouvrir complètement la porte de la laveuse.
- Prévoir davantage d'espace pour faciliter l'installation et l'entretien. La porte s'ouvre à plus de 90° et n'est pas réversible.
- Un espace supplémentaire peut être requis pour les moulures de porte et de plancher et pour les plinthes.
- Un espace supplémentaire de 1 po (25 mm) de tous les côtés de la laveuse est recommandé pour réduire le transfert du bruit.
- Il faut aussi prendre en compte l'espace requis entre les appareils voisins.

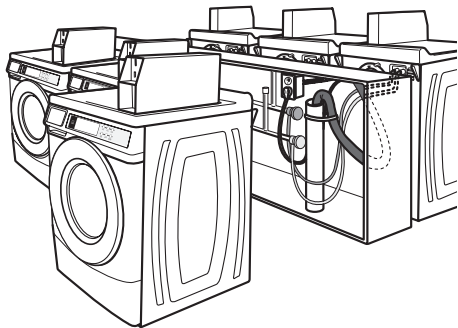
#### Dimensions de la laveuse



\*Hauteur sans les pieds de nivellement installés

**REMARQUE :** La porte n'est pas réversible.

Une vidange au plancher doit être installée sous le module de la cloison. Les coffrages préfabriqués équipés de prises électriques, tuyaux d'arrivée d'eau et conduites d'évacuation doivent être utilisés seulement là où les codes locaux l'autorisent\*.



#### Système de vidange

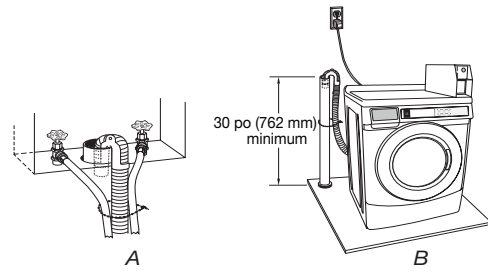
La laveuse peut être installée en utilisant le système de rejet à l'égout (au plancher ou au mur), le système de vidange de l'évier de buanderie ou la vidange au plancher. Sélectionner la méthode d'installation du tuyau de vidange selon les besoins. Voir la section « Outils et pièces ».

#### Système de vidange avec tuyau de rejet à l'égout – au mur ou au plancher (vues A et B)

Le système de rejet à l'égout nécessite un tuyau de diamètre minimum de 2 po (50 mm). La capacité minimale d'acheminement ne doit pas être inférieure à 12 gallons (45,5 L) par minute.

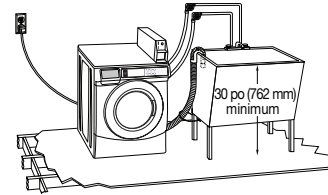
Le sommet du tuyau de rejet à l'égout doit être au moins à 30 po

(762 mm) de hauteur et au maximum à 96 po (2,4 m) de la base de la laveuse.



#### Système de vidange dans un évier de buanderie

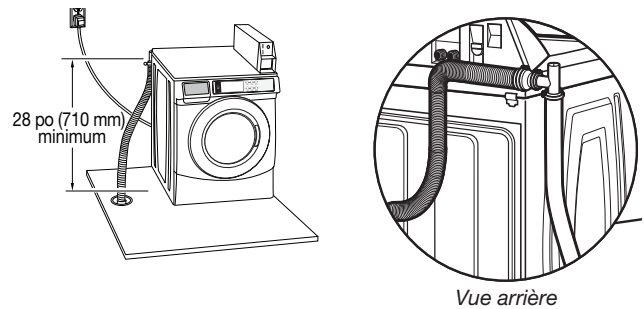
L'évier de buanderie doit avoir une capacité minimale 20 gallons (76 L). La partie supérieure de l'évier de buanderie doit être à au moins 30 po (762 mm) au-dessus du sol.



#### Système de vidange au sol

Le système de vidange au plancher nécessite un brise-siphon qui peut être acheté séparément. Voir la section « Outils et pièces ».

Le brise-siphon doit être au moins à 28 po (710 mm) de la base de la laveuse. Des tuyaux supplémentaires peuvent s'avérer nécessaires.



#### Spécifications Électriques

### ⚠ AVERTISSEMENT



#### Risque de choc électrique

**Brancher sur une prise à 3 alvéoles reliée à la terre.**

**Ne pas enlever la broche de liaison à la terre.**

**Ne pas utiliser un adaptateur.**

**Ne pas utiliser un câble de rallonge.**

**Le non-respect de ces instructions peut causer un décès, un incendie ou un choc électrique.**

- Une source d'alimentation de 120 V CA à 60 Hz uniquement et protégée par fusible de 15 ou 20 A est nécessaire. On recommande d'utiliser un fusible ou un disjoncteur temporisé. Il est recommandé de raccorder la laveuse sur un circuit distinct exclusif à cet appareil.

- Cette laveuse comporte un cordon d'alimentation électrique à trois broches pour liaison à la terre.
- Pour minimiser les risques de décharge électrique, on doit brancher le cordon sur une prise de courant de configuration correspondante, à 3 alvéoles, reliée à la terre et installée conformément aux codes et règlements locaux. Si une prise de courant de configuration correspondante n'est pas accessible, le client a la responsabilité et l'obligation de faire installer par un électricien qualifié une prise de courant correctement reliée à la terre.
- Si les codes le permettent et si on utilise un conducteur distinct de liaison à la terre, il est recommandé qu'un électricien qualifié vérifie la qualité de la liaison à la terre.
- Ne pas utiliser une tuyauterie de gaz pour le raccordement à la terre.
- En cas de doute quant à la qualité de la mise à la terre de la laveuse, consulter un électricien qualifié.
- Ne pas installer un fusible dans le conducteur neutre ou le circuit de mise à la terre.

## INSTRUCTIONS DE LIAISON À LA TERRE

### Pour une laveuse reliée à la terre et connectée par un cordon :

Cette laveuse doit être reliée à la terre. En cas d'anomalie de fonctionnement ou de panne, la liaison à la terre réduira le risque de choc électrique en offrant au courant électrique un itinéraire d'évacuation de moindre résistance. Cette laveuse est alimentée par un cordon électrique comportant un conducteur relié à la terre et une fiche de branchement munie d'une broche de liaison à la terre. La fiche doit être branchée sur une prise de courant appropriée qui est bien installée et reliée à la terre conformément à tous les codes et règlements locaux.

**AVERTISSEMENT** : Le raccordement incorrect de cet appareil au conducteur de liaison à la terre peut susciter un risque de choc électrique. En cas de doute quant à la qualité de la liaison à la terre de l'appareil, consulter un électricien ou technicien d'entretien qualifié.

Ne pas modifier la fiche de branchement fournie avec l'appareil – si la fiche ne correspond pas à la configuration de la prise de courant, demander à un électricien qualifié d'installer une prise de courant convenable.

### Pour une laveuse raccordée en permanence :

Cette laveuse doit être raccordée à un système de câblage permanent en métal relié à la terre ou un conducteur relié à la terre doit être en fonction avec les conducteurs de circuit et raccordés à la borne de liaison à la terre ou la borne sur l'appareil ménager.

# INSTRUCTIONS D'INSTALLATION

## Élimination des accessoires de transport

### ⚠ AVERTISSEMENT

#### Risque de poids excessif

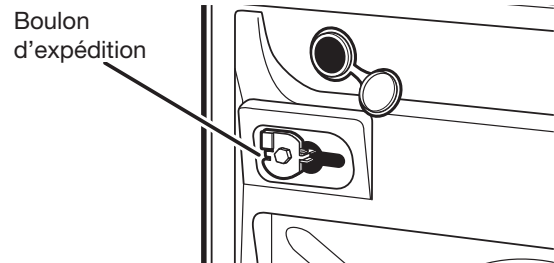
Utiliser deux personnes ou plus pour déplacer et installer le lave-linge.

Le non-respect de cette instruction peut causer une blessure au dos ou d'autres types de blessure.

**IMPORTANT** : Positionner la laveuse de sorte que l'arrière de la laveuse se trouve à environ 3 pi (900 mm) de son emplacement final.

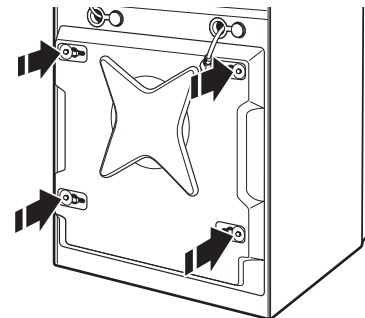
Sur le panneau arrière de la laveuse, 4 boulons de calage supportent le système de suspension durant le transport. Ces boulons retiennent aussi le cordon d'alimentation à l'intérieur de la laveuse jusqu'à ce qu'on les retire.

1. La laveuse doit se trouver en position verticale lors du retrait des boulons de calage.



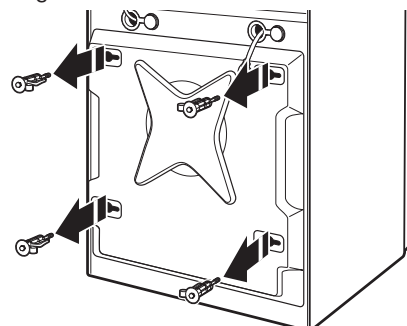
Boulon d'expédition avec cale en plastique

2. À l'aide d'une clé de 1/2 po (13 mm), desserrer chaque boulon.



3. Une fois chaque boulon desserré, déplacer les boulons vers le centre du trou et les retirer complètement, y compris l'entretoise en plastique, puis les ranger dans un endroit où ils pourront être utilisés si l'unité doit être déplacée à une date ultérieure.

**IMPORTANT** : Si la laveuse doit être transportée ultérieurement, appeler votre centre de service local pour obtenir de nouveaux boulons de transport si le jeu d'origine a été égaré. La machine doit être transportée en position verticale. Pour éviter d'endommager la structure ou la suspension de la laveuse, celle-ci doit être correctement installée pour pouvoir être déplacée par un technicien agréé.



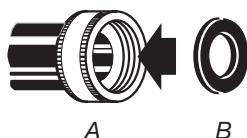


- Enfoncer la fiche du cordon d'alimentation dans l'ouverture à droite du panneau arrière; tirer le cordon d'alimentation à travers l'ouverture à gauche du panneau arrière, puis boucher les trous à l'aide du capuchon fourni. Ne pas tirer l'extrémité du côté fiche du cordon d'alimentation par le trou de droite.
- Obturer les trous des boulons de transport avec les 4 bouchons prévus à cet effet.

**REMARQUE :** Si la laveuse doit être transportée, appeler le revendeur ou l'installateur du produit. Pour éviter d'endommager la suspension et la structure de la laveuse, celle-ci doit être correctement préparée pour déplacement éventuel par un technicien certifié.

### Raccordement des tuyaux d'alimentation

Insérer les rondelles plates neuves (incluses) dans chaque extrémité des tuyaux d'arrivée d'eau. Insérer fermement les rondelles dans les raccords.

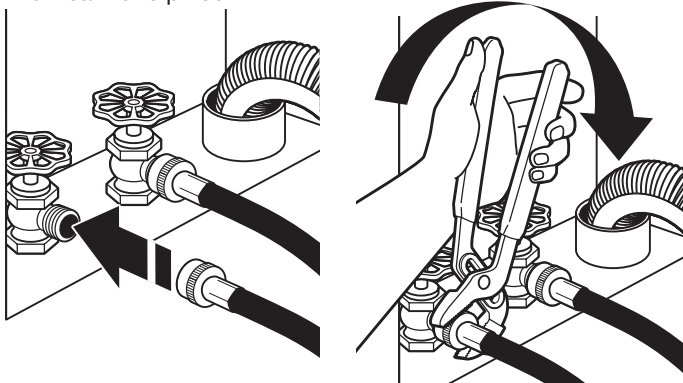


A. Raccord  
B. Rondelle

### Raccorder les tuyaux d'alimentation aux robinets

S'assurer que le tambour de la laveuse est vide.

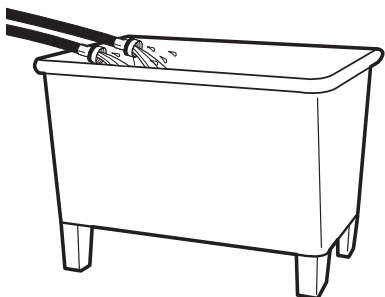
- Fixer un tuyau au robinet d'eau chaude. Visser complètement le raccord à la main pour qu'il comprime la rondelle.
- Fixer un tuyau au robinet d'eau froide. Visser complètement le raccord à la main pour qu'il comprime la rondelle.
- Terminer le serrage des raccords de deux tiers de tour en utilisant une pince.



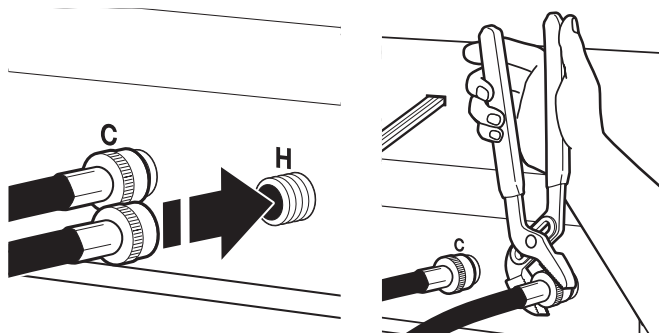
**REMARQUE :** Ne pas serrer excessivement ou utiliser du ruban adhésif ou un calfeutrant sur le robinet. Les robinets risquent d'être endommagés.

### Purger les canalisations d'eau

- Laisser s'écouler l'eau des deux robinets et tuyaux d'arrivée d'eau dans un évier de buanderie, un tuyau rigide de rejet à l'égout ou un seau pour éliminer les particules se trouvant dans les canalisations d'eau qui pourraient obstruer les tamis de la valve d'arrivée d'eau.
- Vérifier la température de l'eau pour s'assurer que le tuyau d'eau chaude est connecté au robinet d'eau chaude et que le tuyau d'eau froide est connecté au robinet d'eau froide.



### Raccorder les tuyaux d'alimentation à la laveuse

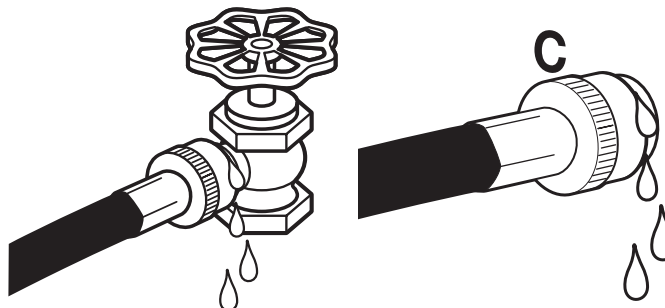


C. Tuyau d'eau froide  
H. Tuyau d'eau chaude

- Fixer le tuyau d'eau chaude au clapet antiretour du tuyau d'arrivée d'eau chaude (H) de la laveuse. Visser complètement le raccord à la main pour qu'il comprime le clapet antiretour.
- Fixer le tuyau d'eau froide au clapet antiretour du tuyau d'arrivée d'eau froide (C) de la laveuse. Visser complètement le raccord à la main pour qu'il comprime le clapet antiretour.
- Terminer le serrage des raccords de deux tiers de tour en utilisant une pince.

**REMARQUE :** Ne pas serrer excessivement. Le raccord risque d'être endommagé.

- Ouvrir complètement les robinets d'eau et vérifier s'il y a des fuites aux robinets et aux raccordements à la laveuse.



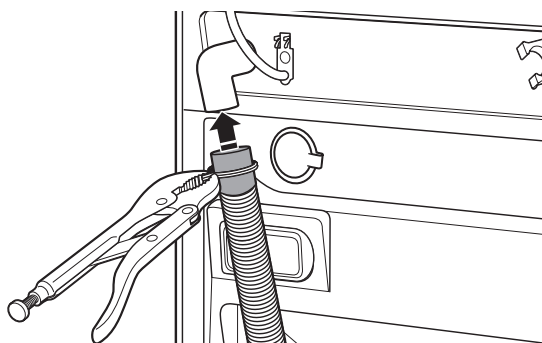
**REMARQUE :** Remplacer les tuyaux d'arrivée d'eau après 5 ans d'utilisation pour réduire le risque de défaillance intempestive. Inscrire la date d'installation ou de remplacement du tuyau sur celui-ci, pour référence ultérieure.

Inspecter périodiquement les tuyaux et les remplacer en cas de renflement, de déformation, de coupure, d'usure ou de fuite.

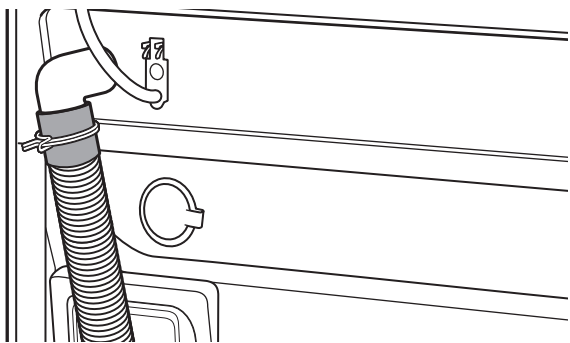
### Raccordement du tuyau de vidange

#### Retrait du tuyau de vidange fixé sur le tambour de la laveuse

- À l'aide d'une pince multiprise, serrer les deux onglets de la bride de tuyau et insérer la bride sur l'extrémité du tuyau de vidange.
- Faire glisser le tuyau de vidange sur le raccord de la laveuse.



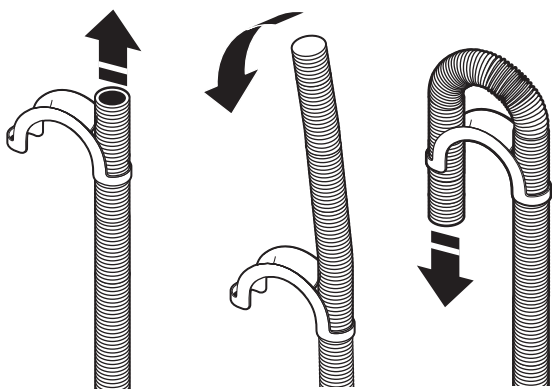
- Une fois le tuyau de vidange en place, relâcher la prise de la pince.



Le système de vidange de la laveuse peut être installé à l'aide d'un conduit d'évacuation au plancher, un tuyau de rejet à l'égout mural (rigide), un tuyau de rejet à l'égout au plancher (rigide) ou un évier de buanderie.

### Vidange de l'eau de lavage dans un évier de buanderie ou tuyau de rejet à l'égout

Connecter la bride de retenue pour tuyau de vidange sur le tuyau de vidange ondulé.



### Pour empêcher l'eau de vidange de refluer dans la laveuse :

- Utiliser le tuyau de vidange et ne pas forcer l'excédent de tuyau dans le tuyau de rejet à l'égout. Le tuyau doit être bien immobilisé, tout en permettant le passage d'air.
- Ne pas mettre l'excédent du tuyau de vidange dans le fond de l'évier de buanderie.

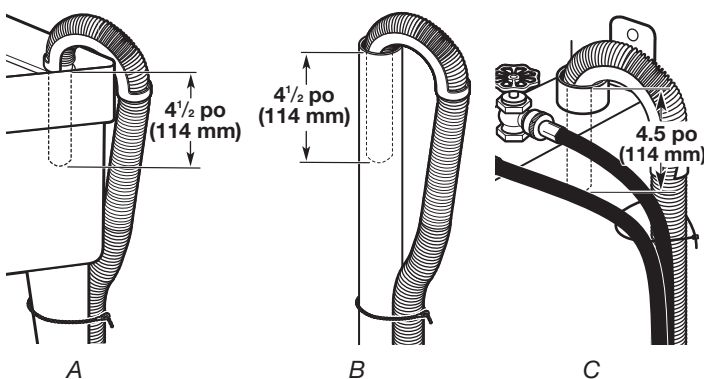
### Vidange au plancher

Il vous faudra peut-être des pièces supplémentaires. Voir le point « Égout au plancher » dans la section « Outils et pièces ».

### Immobilisation du tuyau de vidange

Le tuyau d'évacuation doit être bien fixé pour empêcher le tuyau de bouger lorsque l'eau est pompée. Si le tuyau d'évacuation bouge, de l'eau peut couler sur le plancher.

- Faire passer le cordon d'alimentation par-dessus la laveuse.
- Déplacer la laveuse à son emplacement final.
- Placer le tuyau de vidange dans l'évier de buanderie ou le tuyau de rejet à l'égout – voir l'illustration. Voir les illustrations A et B.



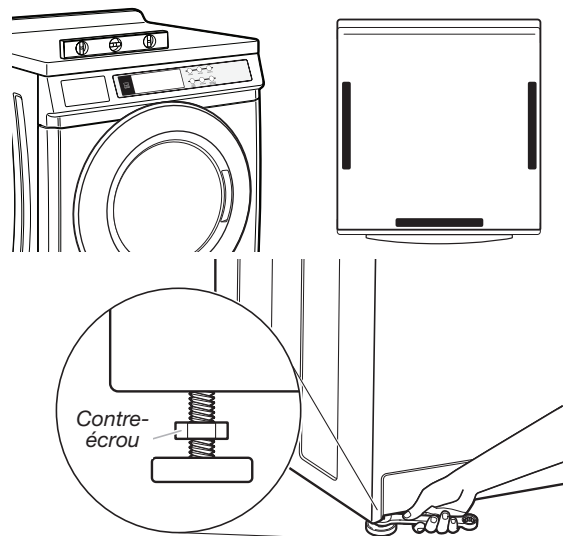
### REMARQUES :

- Ne pas forcer l'excédent de tuyau de vidange dans l'arrière de la laveuse.
- Pour éviter un effet de siphon, ne pas sceller ou placer plus de 4 ½ po (114 mm) du tuyau d'évacuation dans le tuyau de rejet à l'égout.
- Si les robinets d'eau et le tuyau rigide de rejet à l'égout sont placés en retrait, introduire l'extrémité en crochet du tuyau de vidange dans le tuyau rigide de rejet à l'égout – voir l'illustration. Voir l'illustration C.
- Il incombe à l'installateur d'installer et de fixer solidement le tuyau de vidange à la canalisation d'évacuation de manière que le tuyau de vidange ne puisse sortir et causer d'éventuelles fuites de la canalisation d'évacuation.

### Réglage de l'aplomb de la laveuse

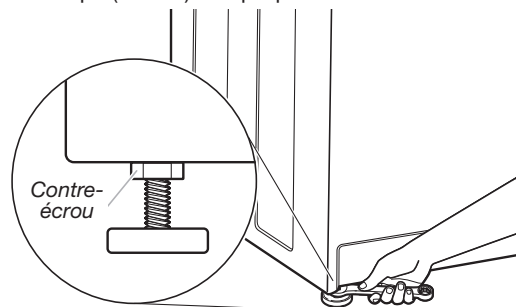
Un bon aplomb de la laveuse évite le bruit et les vibrations excessifs.

- Utiliser un niveau placé sur le bord supérieur de la laveuse pour vérifier l'aplomb, d'abord transversalement, puis dans le sens avant arrière.



Si la laveuse est placée contre un mur, on doit l'écarter légèrement du mur avant de l'incliner vers l'arrière. Si la laveuse n'est pas d'aplomb, soulever l'avant de la laveuse avec une cale de bois et ajuster la position des pieds selon le besoin; soulever ensuite l'arrière de la laveuse et ajuster la longueur des pieds selon le besoin. Répéter ces opérations jusqu'à l'obtention d'un aplomb correct de la laveuse.

- Vérifier que les 4 pieds sont stables et reposent sur le plancher. Vérifier ensuite que la laveuse est parfaitement d'aplomb (utiliser un niveau).
- Après avoir établi l'aplomb correct de la laveuse, utiliser une clé plate de 9/16 po (14 mm) chaque pied contre la caisse de la laveuse.



**IMPORTANT :** Les 4 pieds doivent être bien serrés. Si les écrous ne sont pas bloqués contre la caisse de la laveuse, la laveuse peut vibrer.

- La laveuse ne doit pas bouger d'avant en arrière, latéralement ou transversalement lorsqu'on appuie sur les bords supérieurs.
- Faire glisser la laveuse à son emplacement final.
- Vérifier le bon aplomb de la laveuse.

## Achever l'installation

1. Consulter les spécifications électriques. Vérifier que la tension électrique disponible est correcte et que la prise de courant est convenablement reliée à la terre. Consulter les « Spécifications électriques ».
2. Vérifier que toutes les pièces sont maintenant installées. S'il y a des pièces supplémentaires, relire les étapes pour savoir quelle étape a été passée.
3. Vérifier la présence de tous les outils.
4. Éliminer/recycler tous les matériaux d'emballage.
5. Vérifier que les robinets d'eau sont ouverts.
6. Vérifier qu'il n'y a pas de fuite autour des robinets et des tuyaux d'arrivée d'eau.

7. Brancher l'appareil sur une prise à 3 alvéoles reliée à la terre.
8. Pour tester et nettoyer la laveuse, mesurer la moitié quantité de détergent HE (Haute efficacité) recommandée par le fabricant pour une charge de taille moyenne. Verser le détergent dans le distributeur de détergent. Sélectionner un programme et laisser la laveuse exécuter ce programme en entier.



## ⚠ AVERTISSEMENT



### Risque de choc électrique

Brancher sur une prise à 3 alvéoles reliée à la terre.

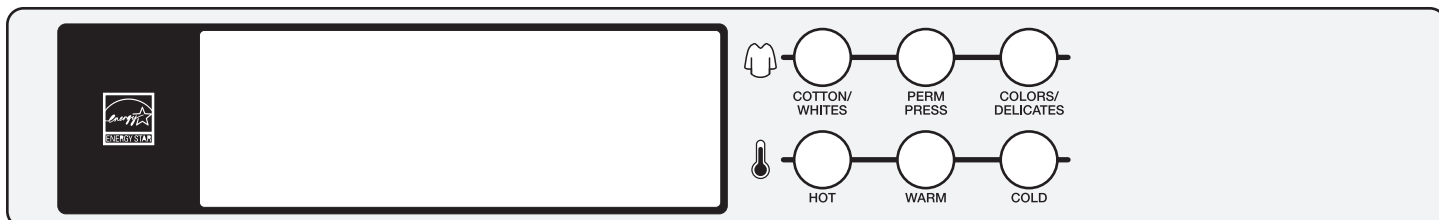
Ne pas enlever la broche de liaison à la terre.

Ne pas utiliser un adaptateur.

Ne pas utiliser un câble de rallonge.

Le non-respect de ces instructions peut causer un décès, un incendie ou un choc électrique.

## INSTRUCTION D'UTILISATION ET DE CONFIGURATION



**REMARQUE :** Une fois la laveuse installée et branchée, l'affichage peut indiquer « 0 MINUTES ». Une fois la laveuse branchée et sa porte ouverte puis fermée, l'affichage indique le prix. Sur les modèles réglés sur des programmes gratuits, l'affichage fait clignoter « SELECT CYCLE » (SÉLECTIONNER PROGRAMME).

1. Insérez des pièces jusqu'à ce que « SELECT CYCLE » (SÉLECTIONNER PROGRAMME) clignote à l'écran.
2. La porte doit être fermée avant de sélectionner un programme.
3. Appuyer sur le bouton de réglage du tissu pour le programme de laveuse souhaité. Une fois le programme commencé, un compte à rebours s'affiche.
4. Si un programme est interrompu par l'ouverture de la porte, la mention « RESELECT CYCLE » (RESÉLECTIONNER LE PROGRAMME) clignote sur l'affichage. Pour remettre la laveuse en marche, fermer la porte et sélectionner le programme souhaité.

### Informations générales d'utilisation

#### « 0 MINUTES » APPARAÎT SUR L'AFFICHAGE

Cela indique que le programme précédent est terminé ou qu'une réinitialisation de la machine a été effectuée. L'ouverture de la porte restaurera l'affichage à l'état prix de vente ou disponible.

#### CONFIGURATIONS D'USINE PAR DÉFAUT

La laveuse est programmée à l'usine comme suit :

- Les programmes Normal and Delicates (Articles Délicats) comprennent une période de lavage de 11 minutes et

2 rinçages, avec l'option d'un rinçage supplémentaire.

- Le programme Heavy Duty (service intense) comprend un Prewash (prélavage) de 3 minutes, une période de lavage de 14 minutes et 4 rinçages, avec option de désélectionner le rinçage supplémentaire.
- Prix de lavage de 1,75 \$ pour les programmes Normal et Delicates (Articles délicats), 2,00 \$ pour Powerwash (lavage haute puissance) (modèles à pièces).
- Prix du lavage 0,00 \$ (modèles sans pièce).

#### DÉMARRAGE À CHAUD (après une panne de courant)

Quelques secondes après le rétablissement de l'alimentation, si un programme était en cours au moment de la coupure, « RESELECT CYCLE » (RESÉLECTIONNER PROGRAMME) clignote sur l'affichage, indiquant qu'il faut appuyer sur un bouton pour redémarrer la laveuse.

#### VERROUILLAGE DE LA PORTE DE LA LAVEUSE

Avant le début d'un programme; une séquence de verrouillage/déverrouillage/reverrouillage de la porte a lieu, puis le programme commence. La porte est verrouillée jusqu'à la fin d'un programme ou environ 2 minutes après une coupure d'électricité.

#### TARIF

Une fois la porte ouverte, puis fermée après la fin de programme, l'affichage indique le prix du programme (à moins d'un réglage pour un fonctionnement gratuit). Après l'insertion de pièces ou l'utilisation de la carte de débit, les portions de l'affichage changent pour guider l'utilisateur dans le lancement d'un programme.

## PROGRAMME GRATUIT

Cette fonction est établie en réglant le prix du programme sur zéro. Dans ce cas, « SELECT CYCLE » (SÉLECTIONNER PROGRAMME) s'affiche à la place du prix du programme.

## COMPATIBLE CARTE DE DÉBIT

Cette laveuse est compatible avec les cartes de débit. Elle accepte divers systèmes de cartes de débit est livrée SANS lecteur de carte de débit. Consulter le fabricant du lecteur de carte de débit pour une installation correcte avec la laveuse. Dans les modèles convertis avec un système à carte de débit de 1<sup>re</sup> génération, les impulsions de débit représentent l'équivalent d'une pièce (pièce 1).

## Procédures de configuration des commandes

**IMPORTANT :** Lire toutes les instructions avant la mise en marche.

**Modèles à pièce :** Insérer la clé d'accès dans la porte, la tourner et la soulever pour retirer la porte d'accès.

**Modèles sans pièce :** Une fois le lecteur de carte de débit installé (conformément aux instructions du fabricant du lecteur), on peut entrer au mode de paramétrage uniquement en insérant une carte de paramétrage (fournie par le fabricant du lecteur) dans la fente d'insertion de carte. Si l'on ne dispose pas de carte de paramétrage, on peut accéder aux modes de diagnostic en retirant le connecteur de service de la carte de circuits ou utiliser le code d'accès pour entretien (voir « la » section Code d'accès pour entretien, page 22) pour modèles sans pièce.

## ⚠ AVERTISSEMENT



### Risque de choc électrique

**Déconnecter la source de courant électrique avant l'entretien.**

**Replacer pièces et panneaux avant de faire la remise en marche.**

**Le non-respect de ces instructions peut causer un décès ou un choc électrique.**

**IMPORTANT :** Débrancher la laveuse ou déconnecter la source de courant électrique avant d'ouvrir la console. Pour accéder au connecteur de service :

1. Débrancher la laveuse ou déconnecter la source de courant électrique.
2. Ouvrir la console, débrancher la fiche du connecteur de service et fermer la console.
3. Brancher la laveuse ou reconnecter la source de courant électrique.

La laveuse est à présent en mode de configuration. Le paramétrage des commandes se fait à l'aide des 3 boutons du bas et de l'affichage numérique. L'affichage peut contenir 4 chiffres ou lettres et un point décimal. Il indique les codes de configuration et les valeurs correspondantes pour la programmation de la laveuse.

## UTILISATION DES BOUTONS POUR LA PROGRAMMATION DES COMMANDES

1. Le bouton Hot (chaud) est utilisé pour régler les valeurs associées au code de paramétrage. En appuyant sur le bouton, la valeur change par paliers. Un réglage rapide est possible en maintenant le bouton enfoncé.
2. Le bouton Warm (tiède) fait défiler les codes de paramétrage. Le code de configuration disponible suivant est atteint en appuyant sur ce bouton. Pour passer aux codes de paramétrage suivants à un rythme d'un (1) par seconde, maintenir le bouton enfoncé.
3. Le bouton Cold (froid) sélectionne les options ou les annule.

## Configuration pour utilisation immédiate

Avant de poursuivre, il convient de noter que malgré toutes les options disponibles, une personne peut simplement choisir de débarrer une laveuse commerciale neuve, la brancher et disposer d'une laveuse fonctionnelle.

Les laveuses sont préréglées en usine pour une période de lavage de 11 minutes et 3 rinçages (sans rinçage supplémentaire).

## CODES DE PARAMÉTRAGE

CODE	EXPLICATION
<b>608</b>	<b>PRIX DU PROGRAMME NORMAL</b>
<b>608</b>	Représente le nombre d'insertions de Pièces ou le Débit de la carte de débit génération (voir la VALEUR DE LA PIÈCE 1) nécessaire pour démarrer le programme. Régler de 0 à 39 en appuyant sur le bouton Hot (chaud). Avancer en appuyant sur le bouton Warm (tiède).
<b>601</b>	Lorsque d.xx est réglé sur le paramétrage d.CS, cette valeur 6 xx représente le nombre d'activations par poussée de la glissière à pièces nécessaires pour démarrer la laveuse. 6 01 serait l'équivalent d'une activation de la glissière à pièces. → Appuyer sur le bouton WARM (TIÈDE) une fois pour passer au code suivant.
<b>711</b>	<b>DURÉE DU LAVAGE</b>
<b>711</b>	Ce code correspond au nombre de minutes du programme WASH (LAVAGE). La laveuse est livrée avec le préréglage d'usine sur 11 minutes. Choisir entre 9 et 17 minutes en appuyant sur le bouton HOT (CHAUD). → Appuyer sur le bouton WARM (TIÈDE) une fois pour passer au code suivant.
<b>800</b>	<b>OPTION DE RINÇAGE SUPPLÉMENTAIRE</b>
<b>800</b>	Cette option est soit SÉLECTIONNÉE « ON » (ACTIVÉE), soit NON SÉLECTIONNÉE « OFF » (DÉSACTIVÉE).
<b>800</b>	Non sélectionnée : « OFF » (DÉSACTIVÉE).
<b>8Ar</b>	Option sélectionnée « ON » (ACTIVÉE). Appuyer sur le bouton COLD (FROID) pour modifier cette sélection. → Appuyer sur le bouton WARM (TIÈDE) une fois pour passer au code suivant.
<b>900</b>	<b>OPTION DE COMPTAGE DES PROGRAMMES</b>
<b>900</b>	Cette option est soit SÉLECTIONNÉE « ON » (ACTIVÉE), soit NON SÉLECTIONNÉE « OFF » (DÉSACTIVÉE).
<b>900</b>	Non sélectionnée : « OFF » (DÉSACTIVÉE).
<b>9.0C</b>	« ON » (ACTIVÉ) sélectionné et ne peut pas être annulé. Appuyer sur le bouton COLD (FROID) 3 fois de suite pour sélectionner « ON » (ACTIVE). Une fois à « ON » (ACTIVE), il n'est pas possible d'annuler la sélection. → Appuyer sur le bouton WARM (TIÈDE) une fois pour passer au code suivant.
<b>1.00</b>	<b>OPTION DE COMPTAGE DE MONNAIE</b>
<b>1.00</b>	Cette option est soit SÉLECTIONNÉE « ON » (ACTIVÉE), soit NON SÉLECTIONNÉE « OFF » (DÉSACTIVÉE).
<b>1.00</b>	Non sélectionnée : « OFF » (DÉSACTIVÉE).
<b>1.0C</b>	Option sélectionnée « ON » (ACTIVÉE). Appuyer sur le bouton COLD (FROID) 3 fois de suite pour sélectionner « ON » et 3 autres fois de suite pour la désélectionner (non sélectionnée « OFF »). Le compteur se remet à zéro en passant de l'option « OFF » (DÉSACTIVE) à l'option « ON » (ACTIVE). → Appuyer sur le bouton WARM (TIÈDE) une fois pour passer au code suivant.
<b>1.0C</b>	« ON » (ACTIVÉ) sélectionné et ne peut pas être annulé. Pour sélectionner l'option « ON » sans possibilité de l'annuler, sélectionner d'abord « ON », puis, en moins de deux secondes, appuyer deux fois sur le bouton COLD (FROID) et une fois sur le bouton HOT (CHAUD), puis quitter le mode de paramétrage. → Appuyer sur le bouton WARM (TIÈDE) une fois pour passer au code suivant.
<b>2.00</b>	<b>OPTION DE TARIF SPÉCIAL</b>
<b>2.00</b>	Cette option est soit SÉLECTIONNÉE « ON » (ACTIVÉE), soit NON SÉLECTIONNÉE « OFF » (DÉSACTIVÉE).
<b>2.00</b>	Non sélectionnée « OFF » (DÉSACTIVÉE), et le code suivant sera A.00.
<b>2.SP</b>	Option sélectionnée « ON » (ACTIVÉE). Appuyer sur le bouton COLD (FROID) pour modifier cette sélection. <b>Si L'OPTION DE TARIF SPÉCIAL est sélectionnée, les codes « 3.XX » à « 9.XX » sont accessibles.</b> → Appuyer sur le bouton WARM (TIÈDE) une fois pour passer au code suivant.
<b>OPTIONS ACCESSIBLES LORSQUE L'OPTION DE TARIF SPÉCIAL EST SÉLECTIONNÉE :</b>	
<b>3.08</b>	<b>PRIX DU PROGRAMME SPÉCIAL</b>
<b>3.08</b>	Représente le nombre de pièces ou un débit (pièce 1) nécessaire pour mettre en marche un programme; peut être réglé de 0 à 39. (Voir VALEUR DE LA PIÈCE 1) Avancer de 0 à 39 en appuyant sur le bouton HOT (CHAUD).
<b>3.00</b>	MODÈLES SANS PIÈCES SEULEMENT : Valeur par défaut définie en usine de 0. → Appuyer sur le bouton WARM (TIÈDE) une fois pour passer au code suivant.

CODE	EXPLICATION																								
<b>OPTIONS ACCESSIBLES LORSQUE L'OPTION DE PRIX SPÉCIAL EST SÉLECTIONNÉE (suite) :</b>																									
<b>5.00</b>	<b>MINUTES DE L'HORLOGE</b>																								
<b>5.00</b>	Paramétrage de TIME-OF-DAY CLOCK (MINUTES DE L'HORLOGE); choisir une valeur entre 0 et 59 minutes en appuyant sur le bouton HOT (CHAUD). → Appuyer sur le bouton WARM (TIÈDE) une fois pour passer au code suivant.																								
<b>6.00</b>	<b>HEURE DE L'HORLOGE</b> <b>REMARQUE :</b> Utilise une horloge de 24 – heures.																								
<b>6.00</b>	Paramétrage de TIME-OF-DAY CLOCK (HEURE DE L'HORLOGE); choisir une valeur entre 0 et 23 heures en appuyant sur le bouton HOT (CHAUD). → Appuyer sur le bouton WARM (TIÈDE) une fois pour passer au code suivant.																								
<b>7.00</b>	<b>HEURE DE DÉBUT DU PRIX SPÉCIAL</b> <b>REMARQUE :</b> Utilise une horloge de 24 – heures.																								
<b>7.00</b>	Représente l'heure de début, entre 0 et 23 heures. Sélectionner START HOUR (HEURE DE DÉBUT) en appuyant sur le bouton HOT (CHAUD). → Appuyer sur le bouton WARM (TIÈDE) une fois pour passer au code suivant.																								
<b>8.00</b>	<b>HEURE DE FIN DU PRIX SPÉCIAL</b> <b>REMARQUE :</b> Utilise une horloge de 24 – heures.																								
<b>8.00</b>	Représente l'heure de fin, entre 0 et 23 heures. Sélectionner STOP HOUR (HEURE DE FIN) en appuyant sur le bouton HOT (CHAUD). → Appuyer sur le bouton WARM (TIÈDE) une fois pour passer au code suivant.																								
<b>9.10</b>	<b>JOUR À TARIF SPÉCIAL</b>																								
<b>9.10</b>	Représente le jour de la semaine et indique si un prix spécial est sélectionné pour ce jour. Un nombre suivi de « 0 » indique l'absence de sélection pour ce jour particulier (9,10). Un nombre suivi de « S » indique une sélection pour ce jour particulier (9,1S). Pour changer la valeur de « 0 » et « S », utiliser le bouton COLD (FROID). Les jours de la semaine (1 à 7) sont sélectionnés en appuyant sur le bouton HOT (CHAUD). En quittant le code de paramétrage « 9 », l'affichage doit indiquer le jour actuel de la semaine : <table border="1" style="width: 100%; border-collapse: collapse;"> <thead> <tr> <th>AFFICHAGE</th> <th>JOUR DE LA SEMAINE</th> <th>CODE (sélectionné)</th> </tr> </thead> <tbody> <tr> <td>10</td> <td>Jour 1 = dimanche</td> <td>1S</td> </tr> <tr> <td>20</td> <td>Jour 2 = lundi</td> <td>2S</td> </tr> <tr> <td>30</td> <td>Jour 3 = mardi</td> <td>3S</td> </tr> <tr> <td>40</td> <td>Jour 4 = mercredi</td> <td>4S</td> </tr> <tr> <td>50</td> <td>Jour 5 = jeudi</td> <td>5S</td> </tr> <tr> <td>60</td> <td>Jour 6 = vendredi</td> <td>6S</td> </tr> <tr> <td>70</td> <td>Jour 7 = samedi</td> <td>7S</td> </tr> </tbody> </table> → Appuyer sur le bouton WARM (TIÈDE) une fois pour passer au code suivant.	AFFICHAGE	JOUR DE LA SEMAINE	CODE (sélectionné)	10	Jour 1 = dimanche	1S	20	Jour 2 = lundi	2S	30	Jour 3 = mardi	3S	40	Jour 4 = mercredi	4S	50	Jour 5 = jeudi	5S	60	Jour 6 = vendredi	6S	70	Jour 7 = samedi	7S
AFFICHAGE	JOUR DE LA SEMAINE	CODE (sélectionné)																							
10	Jour 1 = dimanche	1S																							
20	Jour 2 = lundi	2S																							
30	Jour 3 = mardi	3S																							
40	Jour 4 = mercredi	4S																							
50	Jour 5 = jeudi	5S																							
60	Jour 6 = vendredi	6S																							
70	Jour 7 = samedi	7S																							
<b>A.00</b>	<b>OPTION D'AFFICHAGE DU COFFRE</b> Cette option est soit SELECTED 'ON' (SÉLECTIONNÉE « ACTIVÉE »), soit NOT SELECTED 'OFF' (NON SÉLECTIONNÉE « DÉSACTIVÉE »).																								
<b>A.00</b>	Non sélectionnée : « OFF » (DÉSACTIVÉE).																								
<b>A.SC</b>	Option sélectionnée « ON » (ACTIVÉE). Appuyer sur le bouton COLD (FROID) pour modifier cette sélection. Lorsque cette option est sélectionnée, le compteur de monnaie ou de programmes peut être affiché (si le ou les options de compteur correspondantes sont sélectionnées) lorsque la boîte à monnaie est retirée. → Appuyer sur le bouton WARM (TIÈDE) une fois pour passer au code suivant.																								
<b>b.05</b>	<b>VALEUR DE LA PIÈCE 1</b>																								
<b>b.05</b>	Cela représente la valeur de la pièce de monnaie 1 en nombre d'incrément de 0,05 \$ de la pièce de monnaie de valeur la plus grande. Exemple : 5 x 0,05 \$ = 0,25 \$. En appuyant sur la touche le bouton Hot (CHAUD), l'option de 1 à 199 pour la quantité est disponible en incréments de 0,05 \$. Avec la glissière à pièces activée, ceci représente le prix de vente total. → Appuyer sur le bouton WARM (TIÈDE) une fois pour passer au code suivant.																								
<b>C.20</b>	<b>VALEUR DE LA PIÈCE 2</b>																								
<b>C.20</b>	Cela représente la valeur de la pièce de monnaie 2 en nombre d'incrément de 0,05 \$ de la pièce de monnaie de valeur la plus grande. Exemple : 20 x 0,05 \$ = 1,00 \$. En appuyant sur la touche le bouton Hot (chaud), l'option de 1 à 199 pour la quantité est disponible en incréments de 0,05 \$. → Appuyer sur le bouton WARM (TIÈDE) une fois pour passer au code suivant.																								

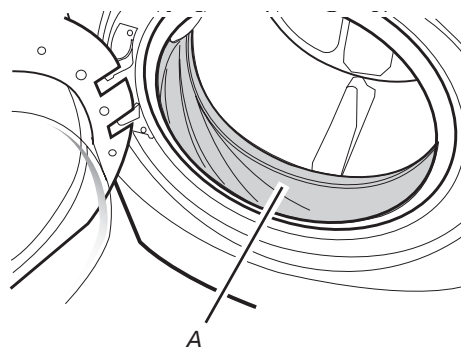
CODE	EXPLICATION
<b>d.00</b>	<b>OPTION GLISSIÈRE À PIÈCES</b> Cette option est soit SELECTED 'ON' (SÉLECTIONNÉE « ACTIVÉE »), soit NOT SELECTED 'OFF' (NON SÉLECTIONNÉE « DÉSACTIVÉE »).
<b>d.00</b>	Non sélectionnée : « OFF » (DÉSACTIVÉE).
<b>d.CS</b>	Option sélectionnée « ON » (ACTIVÉE). Appuyer trois fois de suite sur le bouton COLD (FROID) pour cette sélection. Une fois le mode glissière à pièces sélectionné, paramétrer « b. » égale à la valeur sur la glissière en incréments de 0,05 \$. Régler l'étape 6 (prix de programme normal) et l'étape 3 (prix de programme spécial) sur le nombre de descentes de pièces. Si l'installateur règle « CS » sur un modèle de chute de pièces, les pièces ne sont pas enregistrées. → Appuyer sur le bouton WARM (TIÈDE) une fois pour passer au code suivant.
<b>E.00</b>	<b>OPTIONS NOMBRE DE PIÈCES</b> Cette option est soit SELECTED 'ON' (SÉLECTIONNÉE « ACTIVÉE »), soit NOT SELECTED 'OFF' (NON SÉLECTIONNÉE « DÉSACTIVÉE »). Avec cette option, l'écran client affiche le nombre de pièces (pièce 1) à insérer plutôt que le montant monétaire.
<b>E.00</b>	Non sélectionnée : « OFF » (DÉSACTIVÉE).
<b>E.AC</b>	Option sélectionnée « ON » (ACTIVÉE). Appuyer trois fois de suite sur le bouton COLD (FROID) pour cette sélection. → Appuyer sur le bouton WARM (TIÈDE) une fois pour passer au code suivant.
<b>F.00</b>	<b>OPTION DE TARIF AMÉLIORÉ</b>
<b>F.00</b>	Non sélectionnée : « OFF » (DÉSACTIVÉE).
<b>F.SU</b>	Tarif Super Cycle (programme amélioré) activé. Cette option permet aux clients de passer au programme supérieur en insérant de la monnaie supplémentaire. Les codes de paramétrage « H. » et « h. » sont affichés uniquement lorsque cette option est activée. Appuyer sur le bouton COLD (FROID) pour modifier cette sélection. → Appuyer sur le bouton WARM (TIÈDE) une fois pour passer au code suivant.
<b>H.01</b>	<b>PRIX DU PASSAGE AU PROGRAMME AMÉLIORÉ</b> (Non affiché si le tarif de Super Cycle (programme amélioré) n'est pas activé.)
<b>H.01</b>	Représente le nombre de pièces 1 nécessaires pour passer d'un programme normal à un programme amélioré. Avancer de 0 à 33 en appuyant sur le bouton HOT (CHAUD). → Appuyer sur le bouton WARM (TIÈDE) une fois pour passer au code suivant.
<b>h.01</b>	<b>TYPE DE PROGRAMME AMÉLIORÉ</b> (Non affiché si le tarif de Super Cycle [programme amélioré] n'est pas activé.)
<b>h.01</b>	Représente l'option de passage au Super Cycle (programme amélioré). Appuyer sur le bouton HOT (CHAUD) pour faire défiler les options d'amélioration de 1 à 3 comme suit : 01 – lavage prolongé, 3 minutes supplémentaires de culbute de lavage en plus de la durée de lavage programmée. 02 – rinçage supplémentaire pour tous les programmes. 03 – options 01 et 02 ensemble. → Appuyer sur le bouton WARM (TIÈDE) une fois pour passer au code suivant.
<b>J.Cd</b>	<b>OPTION DE PIÈCES/DÉBIT</b>
<b>J.Cd</b>	Modes pièces et carte de débit sélectionnés. Appuyer sur le bouton COLD (FROID) 3 fois de suite pour modifier cette sélection. (par défaut pour les modèles 9150)
<b>J.C_</b>	Mode pièces sélectionné, mode carte de débit désactivé. Appuyer sur le bouton COLD (FROID) 3 fois de suite pour modifier cette sélection.
<b>J_d</b>	Mode Carte de Débit sélectionné, mode pièces désactivé. Appuyer sur le bouton COLD (FROID) 3 fois de suite pour modifier cette sélection. (défaut pour les modèles sans pièce)
<b>J.Ed</b>	L'option Enhanced Debi (Débit Amélioré) est automatiquement sélectionnée lorsqu'un lecteur de cartes de 2 <sup>e</sup> génération est installé dans la laveuse. L'option « Ed » ne peut pas être sélectionnée ou désactivée manuellement. → Appuyer sur le bouton WARM (TIÈDE) une fois pour passer au code suivant.

# ENTRETIEN DE LA LAVEUSE

## Nettoyage de la laveuse

### Nettoyage du joint/soufflet de la porte

- Ouvrir la porte de la laveuse et retirer tout vêtement ou article de la laveuse.
- Inspecter la porte de verre interne. Si l'on note la présence de résidus, essuyer les résidus avec un chiffon humide.
- Examiner le joint/soufflet coloré entre l'ouverture de la porte et le tambour pour déceler d'éventuelles zones tachées. Tirer sur le joint/soufflet pour examiner toutes les zones sous le joint/soufflet et voir s'il n'y a pas d'objets étrangers.



A. Joint/soufflet

- Si des zones tachées sont décelées, essuyer ces zones en respectant la procédure :
  - Préparer une solution diluée de 3/4 tasse (177 mL) d'eau de Javel et 1 gallon (3,8 L) d'eau tiède puisée au robinet.
  - Essuyer la zone du joint/soufflet avec la solution diluée, en utilisant un chiffon humide.
  - Laisser agir pendant 5 minutes.
  - Bien essuyer la zone avec un chiffon sec et laisser l'intérieur de la laveuse sécher à l'air en laissant la porte ouverte.

### IMPORTANT :

- Porter des gants en caoutchouc en cas de nettoyage pendant une période prolongée.
- Consulter les instructions du fabricant de l'eau de javel pour une utilisation correcte.

### Procédure d'entretien de la laveuse

Cette laveuse comporte un programme spécial qui utilise des volumes d'eau plus importants en combinaison avec l'eau de javel pour nettoyer à fond l'intérieur de la laveuse.

### REMARQUES :

- Lire ces instructions complètement avant de débiter la procédure de nettoyage.
- Si nécessaire, le programme de nettoyage peut être interrompu en appuyant deux fois sur la touche COLD (FROID). Cependant, ceci n'arrêtera pas immédiatement le programme. La laveuse poursuit avec plusieurs rinçages et vidanges afin d'évacuer toute trace d'eau de javel de la laveuse.

### Début de la procédure

- Ouvrir la porte de la laveuse et retirer tout vêtement ou article de la laveuse.
- Utilisation de l'eau de javel au chlore :**  
Ouvrir le tiroir distributeur et ajouter immédiatement 2/3 de tasse (160 mL) d'agent de blanchiment liquide au chlore dans le compartiment d'agent de blanchiment.

**REMARQUE :** Ne pas utiliser de détergent pour ce programme. L'utilisation de plus de 2/3 de tasse (160 mL) d'agent de blanchiment endommagera le produit avec le temps.

- Fermer la porte de la laveuse et le tiroir distributeur.

CODE	EXPLICATION
<b>L.00</b>	<b>OPTION DE SUPPRESSION DU PRIX</b> Cette option indique sur l'afficheur client « ADD » (INTRODUIRE) ou « AVAILABLE » (DISPONIBLE) au lieu du montant à ajouter (utilisé principalement avec les installations à carte de débit).
<b>L.00</b>	Non sélectionnée : « OFF » (DÉSACTIVÉE).
<b>L.PS</b>	Option sélectionnée « ON » (ACTIVÉE). Appuyer sur le bouton COLD (FROID) pour modifier cette sélection. → Appuyer sur le bouton WARM (TIÈDE) une fois pour passer au code suivant.
<b>n.CE</b>	<b>OPTION D'ANNULATION D'AVOIR</b> Lorsque cette option est sélectionnée, l'argent détenu en dépôt sans ajout supplémentaire ou activité de programme pendant 30 minutes est effacé.
<b>n.00</b>	Non sélectionnée : « OFF » (DÉSACTIVÉE).
<b>n.CE</b>	Option sélectionnée « ON » (ACTIVÉE). Appuyer sur le bouton COLD (FROID) pour modifier cette sélection. → Appuyer sur le bouton WARM (TIÈDE) une fois pour passer au code suivant.
<b>U.00</b>	<b>DÉCALAGE D'AUGMENTATION DE PIÈCES DE MONNAIE (AU CENTIÈME)</b>
<b>U.00</b>	Représente la compensation du prix par incréments en cents utilisée avec les lecteurs de cartes de 2 <sup>e</sup> génération. Choisir entre 0 et 4 cents en appuyant sur le bouton HOT (CHAUD). → Appuyer sur le bouton WARM (TIÈDE) une fois pour passer au code suivant.
<b>A1.00</b>	<b>DURÉE DU PRÉLAVAGE</b>
<b>A1.00</b>	Ce code correspond au nombre de minutes du PREWASH (PRÉLAVAGE). Choisir 00 pour désactiver le pré-lavage ou sélectionner entre 02 et 07 minutes en appuyant sur le bouton HOT (CHAUD). → Appuyer sur le bouton WARM (TIÈDE) une fois pour passer au code suivant.

### Si le compteur de programmes (9 0C) est sélectionné, le calcul du total est le suivant :

1 00	Représente le nombre de programmes en CENTAINES	1 02	=	200
2 00	Représente le nombre de programmes en UNITÉS	2 25	=	25
		<b>NOMBRE TOTAL</b>	=	<b>225</b>

VIEW ONLY (AFFICHAGE SEULEMENT) : l'annulation n'est pas possible.

Appuyer une fois sur la touche Temperature (Température) pour passer au code suivant.

### Si le compteur de monnaie (1.0C ou 1.C0) est sélectionné, le calcul du total est le suivant :

3 00	Nombre de CENTAINES de dollars	3 01	=	100,00 \$.
4 00	Nombre de dollars UNITAIRES	4 68	=	68,00 \$
5 00	Nombre de CENTS	5 75	=	00,75 \$
		<b>TOTAL</b>	=	<b>168,75 \$.</b>

### CODE D'ACCÈS POUR ENTRETIEN

Ce code peut être entré pour accéder au mode d'entretien sans retirer la console. Il fonctionne uniquement sur les laveuses configurées pour un prix de vente de 0 et l'option de pièces/carte de débit doit être réglée à « J\_d ». Si la laveuse n'est pas au mode d'échec, la porte doit être ouverte pour pouvoir poursuivre. La section Code d'Accès pour Entretien contient 4 étapes. Exécuter les étapes suivantes :

- Appuyer sur la touche supérieure gauche.
- Appuyer sur la touche inférieure droite.
- Appuyer sur la touche supérieure droite.
- Appuyer sur la touche inférieure gauche.

**REMARQUE :** Si la procédure du Code d'Accès pour Entretien n'est pas effectuée correctement comme indiqué ci-dessus, un délai de 15 secondes s'écoulera avant que l'on puisse retenter la manœuvre.

### Il existe 3 façons de quitter le Mode d'Entretien :

- À partir du code de paramétrage 8, appuyer sur la touche no1 pendant 4 secondes.
- Attendre 2 minutes sans toucher aucune touche (sans qu'aucun mode de diagnostic ne soit activé).
- Couper l'alimentation électrique de la laveuse, puis rétablir l'alimentation électrique.

4. Pour lancer le programme Clean Washer (nettoyage de la laveuse), il faut d'abord accéder à « Start Operating Setup » (Configuration pour utilisation immédiate). Ensuite, maintenir enfoncé la touche COLD (FROID) pendant 1 seconde. Lorsque l'ensemble de l'affichage clignote, appuyez sur COLORS/DELICATES (COULEURS/ARTICLES DÉLICATS).

**REMARQUE :** le tambour pivote, puis la porte se déverrouille, se verrouille à nouveau et le programme se poursuit ensuite.

- La laveuse ne se remplit pas, mais le tambour pivote tandis que la laveuse effectue un court programme de détection. Ceci prend environ 3 minutes.
5. Le programme détermine si des vêtements ou autres articles se trouvent dans la laveuse.
- a) Si aucun article n'est détecté dans la laveuse, la machine passe à l'étape 7.
  - b) Si des articles sont détectés dans la laveuse, « rL » ou « F-34 » s'affichera. La porte se déverrouille ensuite.
- Appuyer COLD (FROID) pour annuler le code d'échec. Répéter ensuite les étapes 1, 3 et 4 pour remettre le programme en marche.
6. Une fois que le programme a commencé, laisser le programme s'achever.
7. Une fois le programme terminé, laisser la porte entrouverte pour une meilleure aération et pour que l'intérieur de la laveuse puisse sécher.

#### Toujours suivre la procédure qui suit afin de préserver la fraîcheur de la laveuse :

- Utiliser uniquement du détergent HE (HAUTE EFFICACITÉ).
- Laisser la porte entrouverte après chaque programme pour permettre une meilleure ventilation et pour que l'intérieur de la laveuse puisse sécher.
- Nettoyer la laveuse chaque mois à l'aide de la procédure de nettoyage de la laveuse et 2/3 de tasse (160 mL) d'agent de blanchiment liquide au chlore.
- Si cette procédure ne permet pas de remédier efficacement aux problèmes de fraîcheur de la machine, examiner les conditions d'installation et d'utilisation pour déceler les autres causes possibles.

---

#### Nettoyage de l'extérieur

Utiliser une éponge ou un chiffon doux humide pour essuyer les renversements. Essuyer occasionnellement les surfaces externes de la laveuse pour maintenir son apparence d'appareil neuf. Utiliser un savon doux et de l'eau. Ne pas utiliser de produits abrasifs.

---

#### Nettoyage du tiroir distributeur

---

Le tiroir distributeur est amovible pour faciliter le nettoyage.

1. Déverrouiller le tiroir distributeur en appuyant sur le levier de dégagement. Retirer le tiroir.
2. Ôter les insertions (le siphon des compartiments de l'assouplissant de tissu et de l'eau de javel).
3. Laver les pièces sous l'eau du robinet.  
**REMARQUE :** Ne pas laver les composants au lave-vaisselle.
4. Replacer les insertions et remettre le distributeur dans le tiroir.

#### Tuyaux d'arrivée d'eau

Remplacer les tuyaux d'arrivée d'eau après 5 ans d'utilisation pour réduire le risque de défaillance intempestive. Inspecter périodiquement les tuyaux; les remplacer en cas de renflement, de déformation, de coupure et d'usure ou de fuite.

Lors du remplacement des tuyaux d'arrivée d'eau, noter la date de remplacement au marqueur indélébile sur l'étiquette.

## ASSISTANCE OU DÉPANNAGE

#### Si vous avez besoin d'assistance :

Communiquer avec le distributeur où la laveuse a été achetée; localiser un distributeur agréé Whirlpool Commercial Laundry ou visitez le [www.whirlpoolcommerciallaundry.com](http://www.whirlpoolcommerciallaundry.com).

Lors de l'appel, vous aurez besoin du numéro de modèle et de série de la laveuse. Vous trouverez ces deux numéros sur la plaque signalétique située sur votre laveuse.

# SEGURIDAD DE LA LAVADORA

## Su seguridad y la seguridad de los demás es muy importante.

Hemos incluido muchos mensajes importantes de seguridad en este manual y en su electrodoméstico. Lea y obedezca siempre todos los mensajes de seguridad.



Este es el símbolo de alerta de seguridad.

Este símbolo le llama la atención sobre peligros potenciales que pueden ocasionar la muerte o una lesión a usted y a los demás.

Todos los mensajes de seguridad irán a continuación del símbolo de advertencia de seguridad y de la palabra "PELIGRO" o "ADVERTENCIA". Estas palabras significan:

**⚠ PELIGRO**

Si no sigue las instrucciones de inmediato, usted puede morir o sufrir una lesión grave.

**⚠ ADVERTENCIA**

Si no sigue las instrucciones, usted puede morir o sufrir una lesión grave.

Todos los mensajes de seguridad le dirán el peligro potencial, le dirán cómo reducir las posibilidades de sufrir una lesión y lo que puede suceder si no se siguen las instrucciones.

## INSTRUCCIONES DE SEGURIDAD IMPORTANTES

**ADVERTENCIA:** Para reducir el riesgo de incendio, descargas eléctricas o daños personales al utilizar la lavadora, adopte las precauciones básicas siguientes:

- Lea todas las instrucciones antes de usar la lavadora.
- No lave artículos que ya se hayan limpiado, lavado, remojado o manchado con gasolina, disolventes de limpieza en seco u otras sustancias inflamables o explosivas, ya que despiden vapores que pueden encenderse o causar una explosión.
- No agregue gasolina, solventes para limpiar en seco u otras sustancias inflamables o explosivas al agua de lavado. Estas sustancias despiden vapores que pueden encenderse o causar una explosión.
- En ciertas condiciones, puede producirse gas hidrógeno en un sistema de agua caliente que no se ha utilizado durante dos semanas o más. **EL GAS DE HIDRÓGENO ES EXPLOSIVO.** Si no se ha usado el agua caliente durante dicho período, antes de usar la lavadora, abra todos los grifos de agua caliente y deje que corra el agua por varios minutos. De este modo, se eliminará cualquier acumulación de gas de hidrógeno. Puesto que el gas es inflamable, se recomienda no fumar ni utilizar llamas en ese momento.
- No permita que los niños jueguen sobre la lavadora o dentro de esta. Es necesario supervisar a los niños cuando se use la lavadora cerca de ellos.
- Antes de retirar de servicio o desechar la lavadora, quite la puerta o la tapa.
- No introduzca las manos en la lavadora si el tambor, la tina o el agitador están en movimiento.
- No instale o almacene la lavadora en lugares donde quede expuesta a la intemperie.
- No altere los controles.
- No repare ni reemplace ninguna pieza de la lavadora ni trate de repararla a menos que esto se recomiende específicamente en este manual o en instrucciones de reparación publicadas para el usuario que usted comprenda; solo debe hacerlo si cuenta con la experiencia necesaria para llevar a cabo dicha reparación.
- Consulte las Instrucciones de instalación para conocer las instrucciones de conexión a tierra.

## CONSERVE ESTAS INSTRUCCIONES

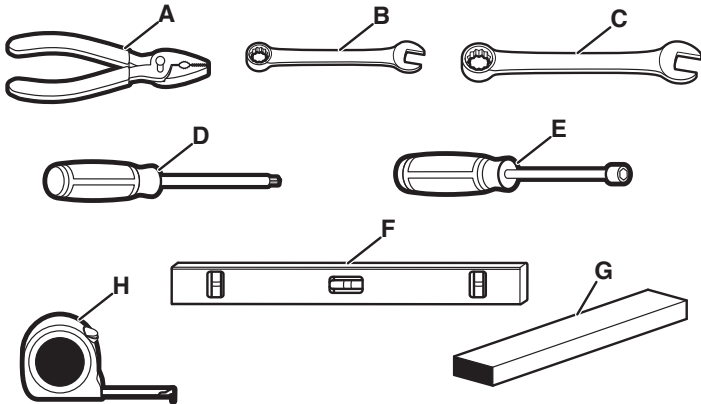


# REQUISITOS DE INSTALACIÓN

## Herramientas y piezas

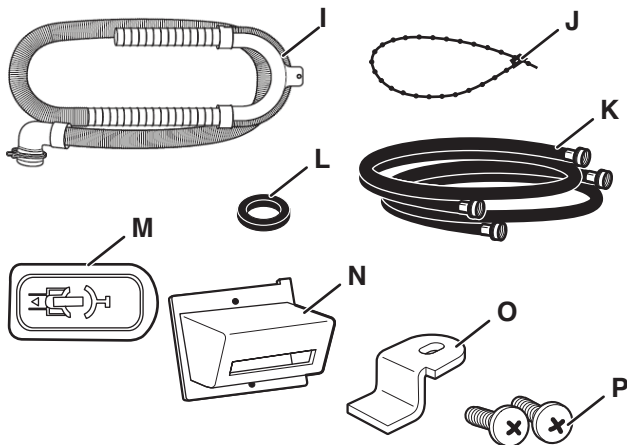
Reúna las herramientas y las piezas necesarias antes de comenzar la instalación. Las piezas provistas están en el tambor de la lavadora.

### Piezas y herramientas necesarias:



- A. Alicates abiertos a 1<sup>9</sup>/<sub>16</sub>" (39 mm)
- B. Llave de extremo abierto de 1/2" (13 mm)
- C. Llave de extremo abierto de 9/16" (14 mm)
- D. Destornillador de seguridad TORX® T20®†
- E. Llave de tuercas de 1/4" (6,3 mm)
- F. Nivel
- G. Bloque de madera
- H. Regla o cinta métrica

### Piezas suministradas (las piezas reales suministradas dependen del modelo):



- I. Manguera de desagüe con abrazadera, molde en U
- J. Correa de amarre extraíble
- K. Mangueras de entrada de agua (2)
- L. Arandelas de las mangueras de entrada (4)
- M. Tapón del agujero del perno de tránsito (4)
- N. Bisel del lector de tarjetas (en algunos modelos)
- O. Leva de bloqueo de la puerta de servicio (en algunos modelos)
- P. Tornillos (en algunos modelos)

### Piezas adicionales

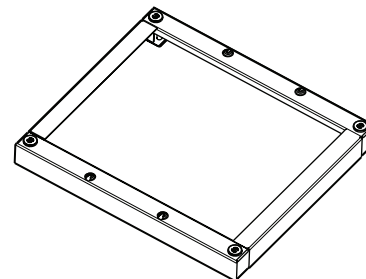
Su instalación puede requerir piezas adicionales. Si está interesado en adquirir una de las piezas aquí enlistadas, llame al número gratuito que se encuentra en "Accesorios".

Si tiene	Debe comprar
Tina de lavadero o tubo vertical de más de 96" (2,4 m) de altura	Sistema de bomba de sumidero (si no está disponible)
Desagüe en altura	Un tubo de desagüe estándar de 20 galones (76 l), 30" (762 mm) de altura o un fregadero de uso general y una bomba de sumidero (disponible en tiendas locales de artículos de plomería)
Desagüe de suelo	Interruptor de efecto de sifón, número de pieza 285834; manguera de desagüe adicional, número de pieza 8318155 y juego de conectores, número de pieza 285835
manguera de desagüe demasiado corta	Kit de extensión de la manguera de desagüe de 4 pies (1,2 m), número de pieza DRNEXT4
Grifos de agua fuera del alcance de las mangueras de llenado	2 mangueras de llenado de agua más largas: 6 pies (1,8 m), Pieza número 76314 10 pies (3 m), Pieza número 8212656PR

## Opciones

### Pedestal

Tiene la opción de comprar por separado pedestales para esta lavadora. El pedestal se añadirá a la altura total de la lavadora.



Pedestal opcional

Altura del pedestal	Altura aproximada con lavadora	Color	Número de pieza
2 <sup>7</sup> / <sub>8</sub> " (73 mm)	47 <sup>1</sup> / <sub>2</sub> " (1207 mm)	Blanca	WHP0400VW

## Requisitos de ubicación

La selección de la ubicación adecuada para su lavadora mejora el rendimiento y minimiza el ruido y un posible "desplazamiento" de la lavadora.

La lavadora se puede instalar debajo de un mostrador a la medida o en un sótano, cuarto para lavar o un lugar empotrado. Consulte "Sistema de desagüe".

También deberán tenerse en cuenta los requisitos de ubicación de otro aparato que le acompañe. Usted es responsable de su correcta instalación.

### Necesitará lo siguiente:

- Un calentador de agua fijado para suministrar a la lavadora agua a 120°F (49°C).
- Un tomacorriente eléctrico con conexión a tierra ubicado a una distancia máxima de 6 pies (1,8 m) del lugar donde el cable eléctrico está fijado a la parte trasera de la lavadora. Consulte "Requisitos eléctricos".
- Grifos de agua caliente y de agua fría ubicados a una distancia de 4 pies (1,2 m) de las válvulas de llenado del agua caliente y agua fría y una presión de agua de 20–100 psi (137,9–689,6 kPa).

†TORX y T20 son marcas comerciales registradas de Acument Intellectual Properties, LLC.

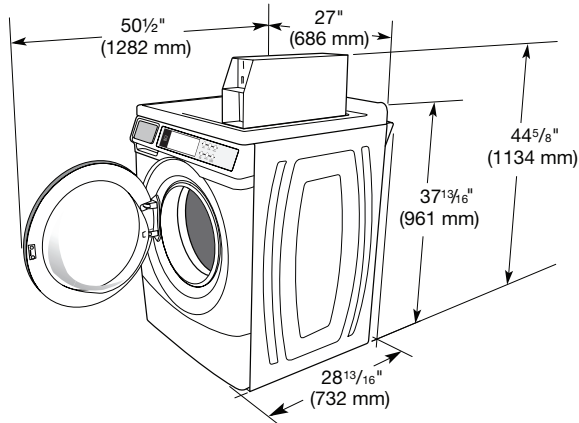
- Un piso nivelado con un declive máximo de 1" (25 mm) debajo de la lavadora completa. No se recomienda la instalación de la lavadora en superficies de suelo suave, como alfombras o superficies con soporte de espuma.
- Un piso resistente y firme que soporte la lavadora con un peso total (del agua y de la carga) de 400 lb (180 kg).

No ponga a funcionar su lavadora en un lugar cuyas temperaturas sean inferiores a 32°F (0°C). El agua que quede en la lavadora puede ocasionar daños a bajas temperaturas.

#### Espacios libres para la instalación

- El lugar debe ser lo suficientemente grande para permitir que la puerta de la lavadora se abra completamente.
- Debe considerarse espacio adicional para facilitar la instalación y el servicio técnico. La puerta se abre a más de 90° y no es reversible.
- Se podrían necesitar espacios libres adicionales para las molduras de la pared, de la puerta y del piso.
- Se recomienda un espacio adicional de 1" (25 mm) en todos los lados de la lavadora para reducir la transferencia de ruido.
- También se deberán tener en cuenta los requisitos para la ubicación de otro electrodoméstico que lo acompañe.

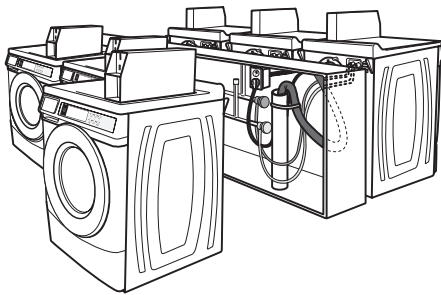
#### Dimensiones de la lavadora



\* Altura sin patas niveladoras instaladas

**NOTA:** La puerta no es reversible.

Debe proveerse un desagüe por el piso bajo el tabique divisorio. Los tabiques divisorios prefabricados con contactos eléctricos, las líneas de entrada de agua y las instalaciones con desagües deben ser usados únicamente donde los códigos locales lo permitan.



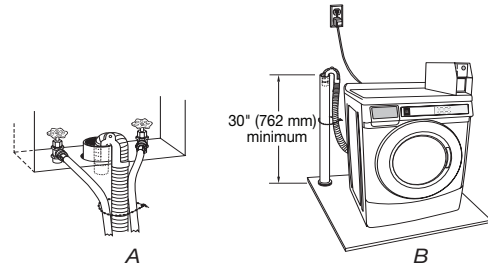
#### Sistema de desagüe

Se puede instalar la lavadora utilizando el sistema de desagüe por tubo vertical (en el piso o en la pared), el sistema de desagüe por la tina de lavadero, o el sistema de desagüe por el piso. Seleccione el método de instalación de la manguera de desagüe que necesite. Consulte "Herramientas y piezas".

#### Sistema de desagüe por tubo vertical: en la pared o en el piso (vistas A y B)

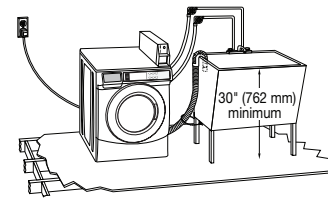
El desagüe por tubo vertical necesita un tubo vertical con un diámetro mínimo de 2" (50 mm). La capacidad mínima de desagüe no puede ser menor de 12 galones (45,5 l) por minuto por lavadora.

La parte superior del tubo vertical debe tener una altura mínima de 30" (762 mm) y máxima de 96" (2,4 m) desde la parte inferior de la lavadora.



#### Sistema de desagüe de tina de lavadero

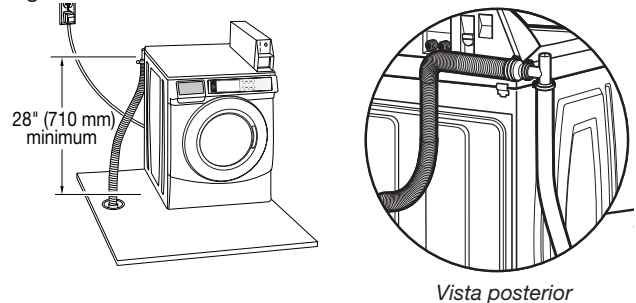
La tina del lavadero necesita una capacidad mínima de 20 galones (76 L). La parte superior de la tina del lavadero debe estar a una altura mínima de 30" (762 mm) del piso.



#### Sistema de desagüe por el piso

El sistema de desagüe por el piso necesita una desviación de sifón que puede adquirirse por separado. Consulte "Herramientas y piezas".

La desviación del sifón debe estar a una distancia mínima de 28" (710 mm) de la parte inferior de la lavadora. Se pueden necesitar mangueras adicionales.



#### Requisitos eléctricos

### ⚠ ADVERTENCIA



#### Peligro de Choque Eléctrico

Conecte a un contacto de pared de conexión a tierra de 3 terminales.

No quite la terminal de conexión a tierra.

No use un adaptador.

No use un cable eléctrico de extensión.

No seguir estas instrucciones puede ocasionar la muerte, incendio o choque eléctrico.

- Se requiere un suministro eléctrico de 120 V, 60 Hz, CA solamente, con fusibles de 15 o 20 A. Se recomienda un fusible retardador o un cortacircuitos. Se recomienda el uso de un circuito independiente que preste servicio únicamente a esta lavadora.

- Esta lavadora viene equipada con un cable eléctrico que tiene un enchufe de 3 terminales con conexión a tierra.
- Para reducir al mínimo el peligro de posibles choques eléctricos, el cable debe estar enchufado en un tomacorriente de 3 terminales, conectado a tierra de acuerdo con los códigos y las ordenanzas locales. Si no hay disponible un tomacorriente equivalente, es responsabilidad y obligación personal del cliente el hacer instalar un tomacorriente debidamente conectado a tierra por un electricista calificado.
- Si los códigos lo permiten y se emplea un cable de conexión a tierra separado, se recomienda que un electricista competente determine si la trayectoria de descarga a tierra es adecuada.
- No conecte la descarga a tierra a un tubo de gas.
- Si no está seguro de que la conexión a tierra de la lavadora sea la adecuada, verifíquela con un electricista competente.
- No coloque un fusible en el circuito neutro o de conexión a tierra.

## INSTRUCCIONES PARA LA CONEXIÓN A TIERRA

### Para una lavadora conectada a tierra con cable eléctrico:

Esta lavadora debe conectarse a tierra. En caso de funcionamiento defectuoso o avería, la conexión a tierra reducirá el riesgo de choque eléctrico al proporcionar una vía de menor resistencia para la corriente eléctrica. Esta lavadora viene equipada con un cable eléctrico que tiene un conductor de conexión a tierra del equipo y un enchufe con conexión a tierra. El enchufe debe conectarse en un contacto de pared apropiado que haya sido debidamente instalado y conectado a tierra de conformidad con todos los códigos y ordenanzas locales.

**ADVERTENCIA:** La conexión incorrecta de la terminal de conexión a tierra del equipo puede ocasionar un riesgo de choque eléctrico. Consulte con un electricista o técnico en reparaciones calificado si tiene duda alguna en cuanto a la conexión a tierra correcta del electrodoméstico.

No modifique el enchufe provisto con el electrodoméstico. Si éste no encaja en el contacto de pared, pida a un electricista calificado que le instale un contacto de pared apropiado.

### Para una lavadora con contacto eléctrico permanente:

Esta lavadora debe estar conectada a un sistema de cableado de metal permanente, conectado a tierra, o se debe tender un conducto para la conexión a tierra del equipo con los conductores de circuito y conectado a la terminal de tierra del equipo o al conductor de suministro del electrodoméstico.

# INSTRUCCIONES DE INSTALACIÓN

## Eliminación del sistema de transporte

### ⚠ ADVERTENCIA

#### Peligro de Peso Excesivo

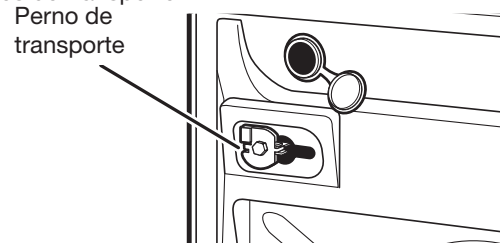
Utilice dos o más personas para mover e instalar la lavadora.

En caso de no seguir estas instrucciones se puede provocar una lesión en la espalda u otro tipo de lesiones.

**IMPORTANTE:** Coloque la lavadora de modo que la parte posterior de la lavadora esté aproximadamente a 3 pies (900 mm) de distancia de su ubicación final.

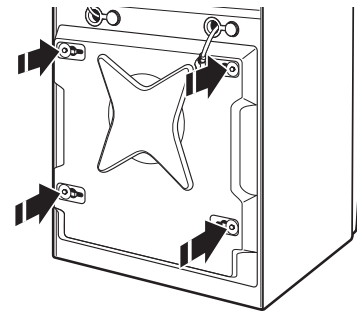
Hay 4 pernos de transporte en el panel posterior de la lavadora que sostienen el sistema de suspensión durante el transporte. Estos pernos también retienen el cable eléctrico dentro de la lavadora hasta quitarlos.

1. Mantenga la lavadora en la posición vertical mientras quite los pernos de transporte.



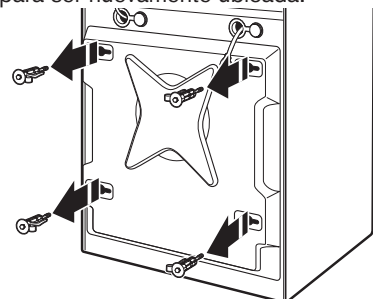
Perno de transporte con espaciador de plástico

2. Afloje cada uno de los pernos con una llave de tuercas de 1/2" (13 mm).



3. Una vez que cada perno esté flojo, muévelo al centro del orificio y saque completamente el perno, incluyendo el espaciador de plástico y guárdelos en un lugar para usarlos si la unidad necesita ser movida en una fecha posterior.

**IMPORTANTE:** Si la lavadora va a ser transportada posteriormente, llame a su centro de servicio local para obtener nuevos pernos de transporte en caso de que se extravié el juego original. La máquina debe ser transportada en posición vertical. Para prevenir daños estructurales o de la suspensión de la lavadora, debe estar debidamente preparada por un técnico certificado para ser nuevamente ubicada.

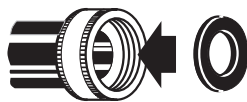


- Empuje el cable de suministro de energía dentro de la abertura, en lado derecho del panel posterior, y jale el cable de suministro de energía a través de la abertura en el lado izquierdo del panel posterior; cierre los orificios con la tapa provista. No jale el extremo del cable eléctrico a través del orificio del lado derecho.
- Cierre los orificios de los pernos con los 4 tapones para orificios de pernos de transporte.

**NOTA:** Llame al distribuidor del producto o al instalador si la lavadora se va a transportar unos días más tarde. Para prevenir daños estructurales y de suspensión, su lavadora debe estar debidamente preparada para ser nuevamente ubicada por un profesional competente.

### Conexión de las mangueras de entrada

Inserte nuevas arandelas planas (suministradas) en cada extremo de las mangueras de entrada. Asiente firmemente las arandelas en los acoplamientos.

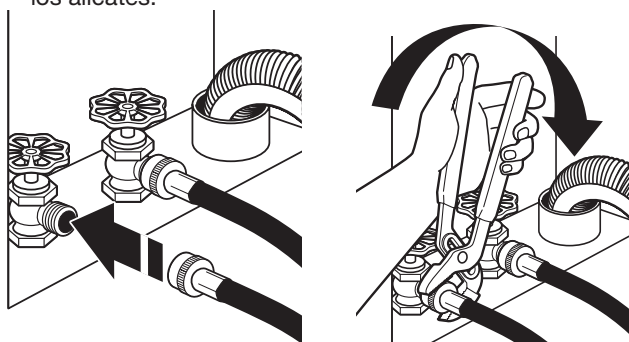


A. Acoplamiento  
B. Arandela

### Conecte las mangueras de entrada a los grifos de agua

Asegúrese de que el tambor de la lavadora esté vacío.

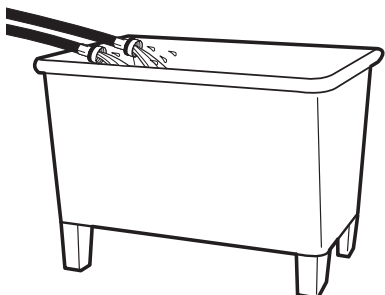
- Conecte una manguera al grifo de agua caliente. Atornille el acoplamiento con la mano hasta que se asiente en la arandela.
- Conecte una manguera al grifo de agua fría. Atornille el acoplamiento con la mano hasta que se asiente en la arandela.
- Apriete los acoplamientos dos tercios de vuelta adicional con los alicates.



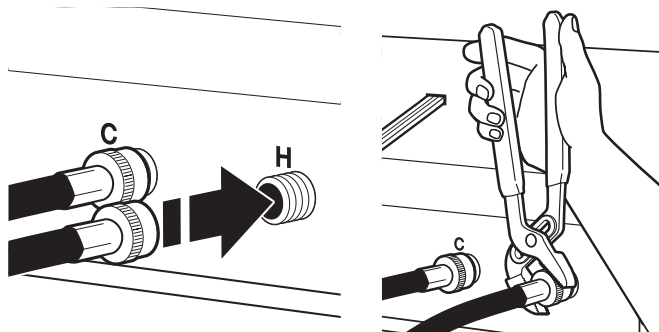
**NOTA:** No apriete la válvula en exceso ni use cinta o selladores en la misma. Se pueden dañar las válvulas.

### Despeje las líneas de agua

- Deje correr el agua de los grifos y las mangueras de desagüe en un lavadero, tubo de desagüe o cubeta para eliminar las partículas que se encuentran en las tuberías del agua, las cuales podrían obstruir los filtros de la válvula de entrada.
- Verifique la temperatura del agua para asegurarse de que la manguera de agua caliente esté conectada al grifo de agua caliente y que la manguera de agua fría esté conectada al grifo de agua fría.

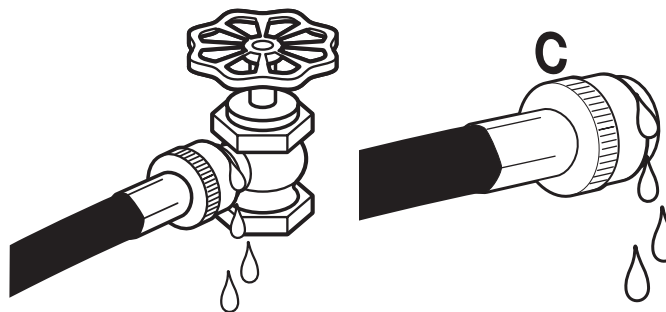


### Conecte las mangueras de entrada a la lavadora



C. Entrada de agua fría  
H. Entrada de agua caliente

- Fije la manguera de agua caliente a la válvula de regulación en la válvula de entrada de agua caliente (H) de la lavadora. Atornille el acoplamiento con la mano hasta que se asiente en la válvula de regulación.
- Conecte la manguera de agua fría a la válvula de retención en la válvula de entrada de agua fría (C) de la lavadora. Atornille el acoplamiento con la mano hasta que se asiente en la válvula de regulación.
- Apriete los acoplamientos dos tercios de vuelta adicional con los alicates.  
**NOTA:** No ajuste demasiado. Se pueden producir daños en el acoplamiento.
- Abra por completo los grifos del agua y revise si hay fugas en los grifos y en las conexiones de la lavadora.



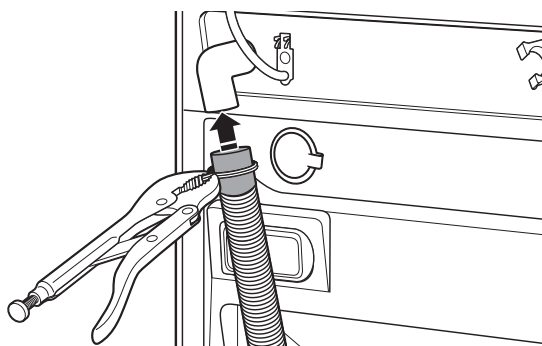
**NOTA:** Reemplace las mangueras de entrada después de 5 años de uso para reducir el riesgo de que fallen. Para consulta en el futuro, anote en las mangueras la fecha de instalación o la fecha de reposición de estas.

Inspeccione periódicamente y reemplace las mangueras si aparecen bultos, torceduras, cortaduras, desgaste o filtraciones de agua.

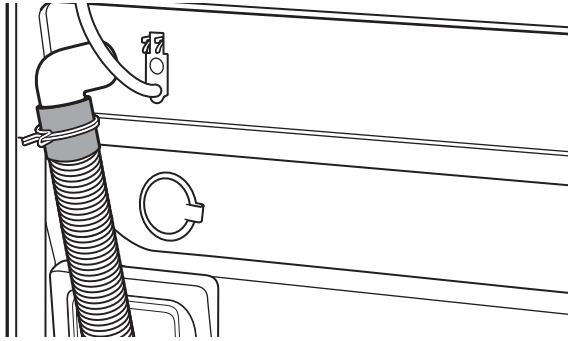
### Conexión de la manguera de desagüe

#### Retire la manguera de desagüe del tambor de la lavadora

- Con las pinzas de presión, apriete las lengüetas de la abrazadera para manguera para unir las e insértelas en el extremo de la manguera de desagüe.
- Deslice la manguera de desagüe en la conexión de la lavadora.



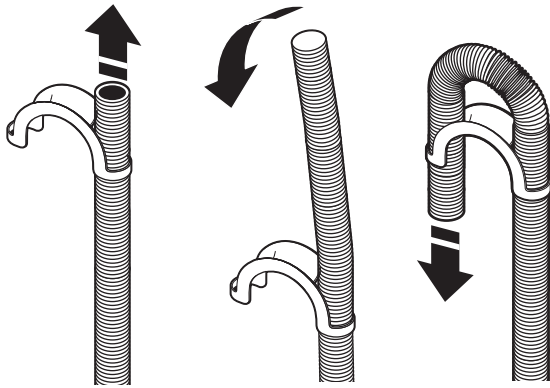
- Una vez que la manguera de desagüe esté en su lugar, suelte las pinzas.



El sistema de desagüe de la lavadora puede instalarse utilizando un desagüe de piso, un tubo vertical de pared, un tubo vertical de piso o una tina de lavadero.

#### Desagüe de tina de lavadero o desagüe de tubo vertical

Conecte el molde de la manguera de desagüe a la manguera de desagüe corrugada.



#### Para evitar que el agua de desagüe vuelva a la lavadora:

- Use el molde de la manguera de desagüe, y no fuerce el exceso de la manguera de desagüe dentro del tubo vertical. La manguera debe quedar asegurada pero lo suficientemente floja que permita un espacio para el aire.
- No tienda el exceso de la manguera en el fondo de la tina del lavadero.

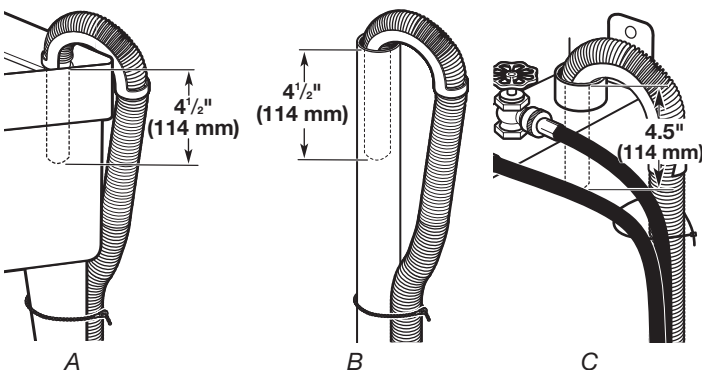
#### Desagüe de suelo

Quizás necesite piezas adicionales. Consulte "Desagüe de piso" en "Piezas y herramientas".

### Ajuste de la manguera de desagüe

La manguera de desagüe debe asegurarse para evitar que se mueva cuando se drena el agua. Si la manguera de desagüe se mueve, el agua puede terminar en el piso.

- Coloque el cable eléctrico encima de la lavadora.
- Mueva la lavadora a su ubicación final.
- Ubique la manguera de desagüe en la tina de lavadero o el tubo vertical, como se muestra. Consulte las ilustraciones A y B.



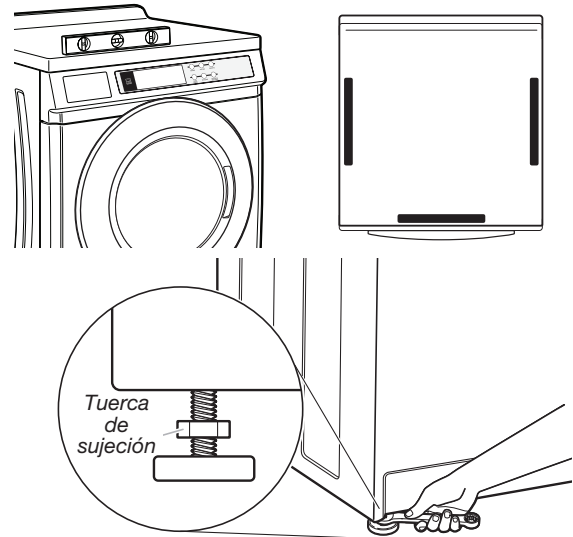
#### NOTAS:

- No fuerce el exceso de manguera de desagüe dentro de la parte trasera de la lavadora.
- Para evitar el efecto de sifón, no selle ni ponga más de 4 1/2" (114 mm) de la manguera de desagüe en el tubo de desagüe o en el tubo vertical.
- Si los grifos de suministro de la lavadora y el tubo vertical de desagote están empotrados, coloque el extremo en forma de gancho de la manguera de desagote en el tubo vertical, como se muestra. Vea la ilustración C.
- Es responsabilidad del instalador instalar y asegurar la manguera de desagüe en el drenaje/la plomería que se provee de una manera que impida que la manguera de desagüe se salga o presente fugas de la plomería/desagüe.

### Nivelar la lavadora

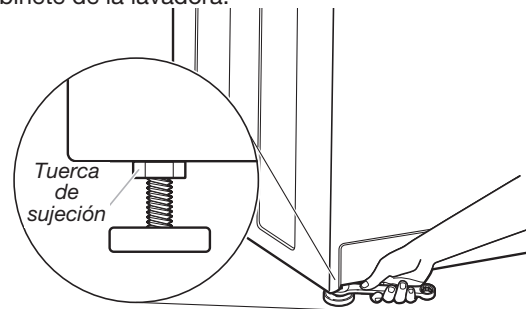
Una nivelación apropiada de la lavadora evita el ruido y la vibración excesivos.

- Revise si la lavadora está nivelada colocando un nivel en el borde superior de la lavadora, primero de lado a lado, luego de frente hacia atrás.



Si la lavadora está contra una pared, mueva la lavadora ligeramente hacia fuera antes de inclinarla hacia atrás. Si la lavadora no está nivelada, primero apunte la parte frontal con un bloque de madera y regule las patas según sea necesario, después apunte la parte de atrás y regule las patas según sea necesario. Repita este paso hasta que la lavadora quede nivelada.

- Asegúrese de que las cuatro patas estén estables y apoyadas en el piso. Después verifique que la lavadora esté perfectamente nivelada (use un nivel).
- Una vez que la lavadora esté nivelada, use una llave de boca de 9/16" (14 mm) para apretar las tuercas de las patas contra el gabinete de la lavadora.



**IMPORTANTE:** Se deben apretar las cuatro patas. Si no se aprietan las tuercas contra la gabinete de la lavadora, la lavadora podría vibrar.

- La lavadora no deberá moverse del frente hacia atrás, de lado a lado o diagonalmente cuando se la empuje sobre sus bordes superiores.
- Deslice la lavadora a su ubicación final.
- Verifique la nivelación de la lavadora.

## Complete la instalación

1. Revise los requisitos eléctricos. Asegúrese de contar con la fuente de electricidad correcta y el método recomendado de conexión a tierra. Consulte "Requisitos eléctricos".
2. Verifique que todas las piezas estén ahora instaladas. Si hay alguna pieza extra, vuelva a revisar todos los pasos para ver cuál se omitió.
3. Verifique que tenga todas las herramientas.
4. Deseche o recicle todo el material de embalaje.
5. Verifique que los grifos de agua estén abiertos.
6. Verifique si hay fugas alrededor de los grifos y de las mangueras de entrada.

7. Conecte a un tomacorriente con conexión a tierra de 3 terminales.
8. Para probar y limpiar la lavadora, mida la mitad de la cantidad de detergente de HE (Alto Rendimiento) recomendada por el fabricante para una carga mediana. Vierta el detergente en el depósito del detergente. Seleccione cualquier ciclo y permita que la lavadora termine un ciclo completo.



## ⚠ ADVERTENCIA



### Peligro de Choque Eléctrico

Conecte a un contacto de pared de conexión a tierra de 3 terminales.

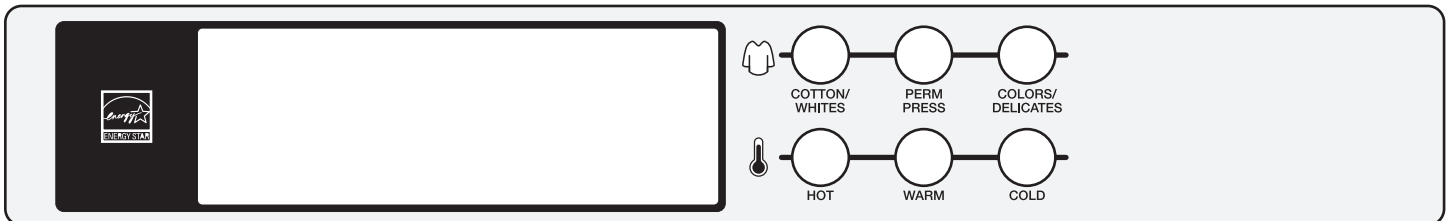
No quite la terminal de conexión a tierra.

No use un adaptador.

No use un cable eléctrico de extensión.

No seguir estas instrucciones puede ocasionar la muerte, incendio o choque eléctrico.

## INSTRUCCIONES DE PREPARACIÓN Y PARA EL USUARIO



**NOTA:** Después de que se instale y enchufe la lavadora, la pantalla puede mostrar "0 MINUTOS" (0 minutos). Una vez que la lavadora se ha enchufado y la puerta de esta se ha abierto y cerrado, la pantalla mostrará el precio. En las lavadoras que se hayan programado para dar ciclos gratuitos, destellará "SELECT CYCLE" (SELECCIONAR CICLO) en la pantalla.

1. Inserte las monedas hasta que destelle "SELECT CYCLE" (SELECCIONAR CICLO) en la pantalla.
2. La puerta se debe cerrar antes de seleccionar el ciclo.
3. Presione el botón del ajuste de telas para el ciclo de lavado deseado. Después de que ha comenzado el ciclo, el tiempo aparecerá en la pantalla e iniciará la cuenta regresiva.
4. Si se interrumpe un ciclo al abrir la puerta, destellará en la pantalla "RESELECT CYCLE" (VUELVA A SELECCIONAR EL CICLO). Para reiniciar la lavadora, cierre la puerta y vuelva a seleccionar el ciclo deseado.

### Información general del usuario

#### '0 MINUTOS' SE MUESTRA EN LA PANTALLA

Esto indica que el ciclo anterior se ha completado o que se ha realizado un reinicio de la máquina. Al abrir la puerta se restablece la visualización del precio de venta o del estado disponible.

#### AJUSTE POR DEFECTO DE FÁBRICA

La lavadora viene programada de fábrica de la siguiente manera:

- Los ciclos Normal (Normal) y Delicates (Ropa delicada) tienen un periodo de lavado de 11 minutos y 2 enjuagues,

con opción de un enjuague extra.

- El ciclo Heavy Duty (Intenso) tiene 3 minutos de Prewash (Prelavado), un periodo de lavado de 14 minutos y 4 enjuagues, con la opción de anular la selección del enjuague adicional.
- Precio de lavado de 1,75 \$ para los ciclos Normal (Normal) y Delicates (Ropa delicada); 2,00 \$ para Powerwash (Lavado intenso) (modelos con tragamonedas).
- Precio de lavado de \$0,00 (modelos sin tragamonedas).

#### INICIO CON AGUA TIBIA (después de un corte de corriente)

Unos segundos después de que se restablezca la electricidad, si un ciclo se encontraba funcionando cuando ocurrió el corte de corriente, destellará "RESELECT CYCLE" (VUELVA A SELECCIONAR EL CICLO), lo cual indica que se necesita presionar un botón para que la lavadora vuelva a funcionar.

#### BLOQUEO DE LA PUERTA

Antes de que comience un ciclo, se realiza una rutina de bloqueo/desbloqueo/nuevo bloqueo del seguro de la puerta; después se pone en marcha el ciclo. La puerta permanecerá con seguro hasta el fin de un ciclo o aproximadamente por 2 minutos después de un corte de corriente.

#### PRECIOS

Después de que se ha abierto la puerta siguiendo la finalización de un ciclo, la pantalla indica el precio del ciclo (a menos que se haya programado para un funcionamiento gratuito). A medida que caen las monedas o llega el pago con débito, la pantalla cambiará para guiar al usuario para que comience un ciclo.

## CICLOS GRATUITOS

Esto se establece cuando ajusta el precio del ciclo en cero. Cuando esto ocurre, aparecerá 'SELECT CYCLE' (SELECCIONAR CICLO) en lugar del precio del ciclo.

## LISTA PARA TARJETA DE DÉBITO

Esta lavadora está lista para las tarjetas de débito de pago automático. Aceptará una variedad de sistemas de tarjeta de débito, pero NO viene con un lector de tarjetas de débito. Consulte al fabricante de lectores de tarjeta de pago automático para informarse sobre la programación adecuada en lavadoras. En los modelos convertidos al sistema de tarjetas de débito de Generación 1, los pulsos de débito representan al equivalente de una moneda (moneda 1).

## Procedimientos de programación del control

**IMPORTANTE:** Lea todas las instrucciones antes de usarlo.

**Modelos con tragamonedas:** Inserte la llave de acceso para la puerta, gírela y levante para quitar la puerta de acceso.

**Modelos sin tragamonedas:** Una vez que se haya instalado el lector de tarjeta de débito (según las instrucciones del fabricante de lectores), solo se puede ingresar al modo de programación insertando una tarjeta de programación (provista por el fabricante de lectores) en la ranura para tarjeta. Si no hay disponible una tarjeta de programación, se puede ingresar a los modos de diagnóstico quitando el conector de servicio en el tablero del circuito o usando el código de acceso de servicio (consulte la sección "Código de acceso de servicio", en la página 33) para los modelos sin tragamonedas.

## ⚠ ADVERTENCIA



### Peligro de Choque Eléctrico

**Desconecte el suministro de energía antes de darle mantenimiento.**

**Vuelva a colocar todos los componentes y paneles antes de hacerlo funcionar.**

**No seguir estas instrucciones puede ocasionar la muerte o choque eléctrico.**

**IMPORTANTE:** Desenchufe la lavadora o desconecte el suministro eléctrico antes de abrir la consola. Para acceder al conector de servicio:

1. Desenchufe la lavadora o desconecte el suministro de energía.
2. Abra la consola, desconecte el enchufe del conector de servicio y cierre la consola.
3. Conecte la lavadora o reconecte el suministro de energía.

La lavadora se encuentra ahora en el modo de programación. Los tres botones inferiores y la pantalla digital se utilizan para la programación de los controles. La pantalla puede contener 4 números y/o letras y un punto decimal. Estos se usan para indicar los códigos de la programación y los valores de los códigos relacionados, los cuales se usan para programar la lavadora.

## CÓMO UTILIZAR LOS BOTONES PARA PROGRAMAR LOS CONTROLES

1. El botón Hot (Caliente) se utiliza para ajustar los valores asociados con los códigos de programación. Presionando el botón se cambia el valor en incrementos. Es posible efectuar ajustes rápidamente si se mantiene presionado el botón.
2. El botón Warm (Tibia) hará avanzar los códigos de programación. Presionando el botón se avanza al siguiente código de programación disponible. Al mantener presionada el botón, se avanza automáticamente a través de los códigos de programación a una velocidad de 1 por segundo.
3. El botón Cold (Fría) se utiliza para seleccionar o quitar opciones.

## Programación para comenzar a usar

Antes de continuar, es importante mencionar que a pesar de todas las opciones disponibles, el dueño puede simplemente elegir desempacar una lavadora comercial nueva, hacer las conexiones necesarias, conectarla al suministro de energía y tener una lavadora que funciona. Las lavadoras están prefijadas de fábrica para un periodo de lavado de 11 minutos y 3 enjuagues (sin enjuague adicional).

## CÓDIGOS DE PROGRAMACIÓN

CÓDIGO	EXPLICACIÓN
<b>608</b>	<b>PRECIO DEL CICLO NORMAL</b>
<b>608</b>	Representa el número de entradas de monedas o débitos requerido para empezar un ciclo (consulte VALOR DE LA MONEDA 1). Ajuste entre 0 y 39 presionando el botón Hot (Caliente). Avance presionando el botón Warm (Tibia).
<b>601</b>	Cuando d.xx está configurado en d.CS, este valor 6 xx representa la cantidad de accionamientos de presión del tragamonedas para iniciar la lavadora. 6 01 sería el equivalente a una activación del tragamonedas. → Presione el botón WARM (TIBIA) una vez para ver el siguiente código.
<b>711</b>	<b>DURACIÓN DEL LAVADO</b>
<b>711</b>	Este es el número de minutos para WASH (LAVADO). La lavadora sale de fábrica previamente ajustada con 11 minutos. Elija de 9 a 17 minutos presionando el botón HOT (CALIENTE). → Presione el botón WARM (TIBIA) una vez para ver el siguiente código.
<b>800</b>	<b>OPCIÓN DE ENJUAGUE ADICIONAL</b> Esta opción ESTÁ SELECCIONADA 'ON' (ACTIVADA) o NO ESTÁ SELECCIONADA 'OFF' (DESACTIVADA).
<b>800</b>	No seleccionada 'OFF' (DESACTIVADA).
<b>8Ar</b>	Seleccionada 'ON' (ACTIVADA). Presione el botón COLD (FRÍA) una vez para hacer esta selección. → Presione el botón WARM (TIBIA) una vez para ver el siguiente código.
<b>900</b>	<b>OPCIÓN DE CONTADOR DE CICLOS</b> Esta opción ESTÁ SELECCIONADA 'ON' (ACTIVADA) o NO ESTÁ SELECCIONADA 'OFF' (DESACTIVADA).
<b>900</b>	No seleccionada 'OFF' (DESACTIVADA).
<b>90C</b>	Seleccionada 'ON' (ACTIVADA) y no puede deseleccionarse. Presione el botón COLD (FRÍA) 3 veces consecutivas para seleccionar 'ON' (ACTIVADA). Una vez que se seleccione 'ON' (ACTIVADA), no puede deseleccionarse. → Presione el botón WARM (TIBIA) una vez para ver el siguiente código.
<b>1.00</b>	<b>OPCIÓN DE CONTADOR DE DINERO</b> Esta opción ESTÁ SELECCIONADA 'ON' (ACTIVADA) o NO ESTÁ SELECCIONADA 'OFF' (DESACTIVADA).
<b>1.00</b>	No seleccionada 'OFF' (DESACTIVADA).
<b>1.0C</b>	Seleccionada 'ON' (ACTIVADA). Presione el botón COLD (FRÍA) 3 veces consecutivas para seleccionar 'ON' (ACTIVADA) y 3 veces consecutivas para deseleccionar (No seleccionada 'OFF' (DESACTIVADA)). El contador se reinicia al pasar de 'OFF' (DESACTIVADO) a 'ON' (ACTIVADO). → Presione el botón WARM (TIBIA) una vez para ver el siguiente código.
<b>1.0C</b>	Seleccionada 'ON' (ACTIVADA) y no puede deseleccionarse. Para seleccionar 'ON' (ACTIVADA) y que no pueda deseleccionarse, seleccione primero 'ON' (ACTIVADA) y, a continuación, en menos de dos segundos presione dos veces el botón COLD (FRÍA), una vez el botón HOT (CALIENTE) y salga del modo de programación. → Presione el botón WARM (TIBIA) una vez para ver el siguiente código.
<b>2.00</b>	<b>OPCIÓN DE PRECIOS ESPECIALES</b> Esta opción ESTÁ SELECCIONADA 'ON' (ACTIVADA) o NO ESTÁ SELECCIONADA 'OFF' (DESACTIVADA).
<b>2.00</b>	No seleccionada 'OFF' (APAGADO) y el próximo código disponible será A.00.
<b>2.SP</b>	Seleccionada 'ON' (ACTIVADA). Presione el botón COLD (FRÍA) una vez para hacer esta selección. <b>Si LA OPCIÓN DE PRECIOS ESPECIALES está seleccionada, se puede acceder a los códigos desde '3.XX' hasta '9.XX'.</b> → Presione el botón WARM (TIBIA) una vez para ver el siguiente código.
<b>OPCIONES DISPONIBLES SI SE SELECCIONA PRECIOS ESPECIALES:</b>	
<b>3.08</b>	<b>PRECIO DE CICLO ESPECIAL</b>
<b>3.08</b>	Representa el número de monedas o entradas de débito (moneda 1) necesario para iniciar un ciclo; se puede ajustar de 0 a 39. (Consulte VALOR DE LA MONEDA 1). Avance de 0 a 39 presionando el botón HOT (CALIENTE).
<b>3.00</b>	SOLO PARA MODELOS SIN TRAGAMONEDAS: El valor de fábrica es 0. → Presione el botón WARM (TIBIA) una vez para ver el siguiente código.

CÓDIGO	EXPLICACIÓN																								
<b>OPCIONES DISPONIBLES SI SE SELECCIONAN PRECIOS ESPECIALES (cont.):</b>																									
<b>5.00</b>	<b>RELOJ CON LA HORA DEL DÍA, MINUTOS</b>																								
<b>5.00</b>	Este es TIME-OF-DAY CLOCK (RELOJ CON LA HORA DEL DÍA), para ajustar los minutos, seleccione de 0 a 59 minutos presionando el botón HOT (Caliente). → Presione el botón WARM (TIBIA) una vez para ver el siguiente código.																								
<b>6.00</b>	<b>RELOJ CON LA HORA DEL DÍA, HORAS</b> <b>NOTA:</b> Utiliza el reloj de 24 horas.																								
<b>6.00</b>	Este es el TIME-OF-DAY CLOCK (RELOJ CON LA HORA DEL DÍA). Para ajustar las horas, seleccione de 0 a 23 horas presionando el botón HOT (CALIENTE). → Presione el botón WARM (TIBIA) una vez para ver el siguiente código.																								
<b>7.00</b>	<b>HORA EN QUE EMPIEZA EL PRECIO ESPECIAL</b> <b>NOTA:</b> Utiliza el reloj de 24 horas.																								
<b>7.00</b>	Esta es la hora de inicio; de 0 a 23 horas. Seleccione START HOUR (HORA DE INICIO) presionando el botón HOT (CALIENTE). → Presione el botón WARM (TIBIA) una vez para ver el siguiente código.																								
<b>8.00</b>	<b>HORA EN QUE TERMINA EL PRECIO ESPECIAL</b> <b>NOTA:</b> Utiliza el reloj de 24 horas.																								
<b>8.00</b>	Esta es la hora de detención; de 0 a 23 horas. Seleccione STOP HOUR (HORA DE FINALIZACIÓN) presionando el botón HOT (Caliente). → Presione el botón WARM (TIBIA) una vez para ver el siguiente código.																								
<b>9.10</b>	<b>DÍA DE PRECIO ESPECIAL</b>																								
<b>9.10</b>	Esto representa el día de la semana y si se ha seleccionado o no un precio especial para ese día. Un número seguido por un '0' indica que no se hizo una selección para ese día en particular (9.10). Un número seguido por la letra 'S' indica que se ha hecho una selección para ese día (9.15). Para cambiar el valor de '0' y 'S', use el botón COLD (FRÍA). Los días de la semana (de 1 a 7) se seleccionan presionando el botón HOT (CALIENTE). Cuando salga de la programación del código '9', la pantalla debe mostrar el día actual de la semana: <table border="1"> <thead> <tr> <th>PANTALLA</th> <th>DÍA DE LA SEMANA</th> <th>CÓDIGO (seleccionado)</th> </tr> </thead> <tbody> <tr><td>10</td><td>Día 1 = Domingo</td><td>1S</td></tr> <tr><td>20</td><td>Día 2 = Lunes</td><td>2S</td></tr> <tr><td>30</td><td>Día 3 = Martes</td><td>3S</td></tr> <tr><td>40</td><td>Día 4 = Miércoles</td><td>4S</td></tr> <tr><td>50</td><td>Día 5 = Jueves</td><td>5S</td></tr> <tr><td>60</td><td>Día 6 = Viernes</td><td>6S</td></tr> <tr><td>70</td><td>Día 7 = Sábado</td><td>7S</td></tr> </tbody> </table> → Presione el botón WARM (TIBIA) una vez para ver el siguiente código.	PANTALLA	DÍA DE LA SEMANA	CÓDIGO (seleccionado)	10	Día 1 = Domingo	1S	20	Día 2 = Lunes	2S	30	Día 3 = Martes	3S	40	Día 4 = Miércoles	4S	50	Día 5 = Jueves	5S	60	Día 6 = Viernes	6S	70	Día 7 = Sábado	7S
PANTALLA	DÍA DE LA SEMANA	CÓDIGO (seleccionado)																							
10	Día 1 = Domingo	1S																							
20	Día 2 = Lunes	2S																							
30	Día 3 = Martes	3S																							
40	Día 4 = Miércoles	4S																							
50	Día 5 = Jueves	5S																							
60	Día 6 = Viernes	6S																							
70	Día 7 = Sábado	7S																							
<b>A.00</b>	<b>OPCIÓN PARA VER EL DEPÓSITO</b> Esta opción está SELECTED 'ON' (SELECCIONADA 'ACTIVADA') o NOT SELECTED 'OFF' (NO ESTÁ SELECCIONADA 'DESACTIVADA').																								
<b>A.00</b>	No seleccionada 'OFF' (DESACTIVADA).																								
<b>A.SC</b>	Seleccionada 'ON' (ACTIVADA). Presione el botón COLD (FRÍA) una vez para hacer esta selección. Cuando esté seleccionada, se podrá ver el recuento del dinero o el ciclo (si las opciones de contador están seleccionadas) al retirar la caja de las monedas. → Presione el botón WARM (TIBIA) una vez para ver el siguiente código.																								
<b>b.05</b>	<b>VALOR DE MONEDA 1</b>																								
<b>b.05</b>	Esto representa el valor de la moneda 1 en el número de incrementos de \$0,05 del mayor valor de la moneda. Ejemplo: 5 x \$0,05 = \$0,25. Al presionar el botón Hot (CALIENTE), existe la opción de 1 a 199 para la cantidad de incrementos de \$0,05. Con la activación del tragamonedas, esto representa el precio de venta total. → Presione el botón WARM (TIBIA) una vez para ver el siguiente código.																								
<b>C.20</b>	<b>VALOR DE MONEDA 2</b>																								
<b>C.20</b>	Esto representa el valor de la moneda 2 en el número de incrementos de \$0,05 del mayor valor de la moneda. Ejemplo: 20 x \$0,05 = \$1,00. Al presionar el botón Hot (Caliente), existe la opción de 1 a 199 para la cantidad de incrementos de \$0,05. → Presione el botón WARM (TIBIA) una vez para ver el siguiente código.																								

CÓDIGO	EXPLICACIÓN
<b>d.00</b>	<b>OPCIÓN DE TRAGAMONEDAS</b> Esta opción está SELECTED 'ON' (SELECCIONADA 'ACTIVADA') o NOT SELECTED 'OFF' (NO ESTÁ SELECCIONADA 'DESACTIVADA').
<b>d.00</b>	No seleccionada 'OFF' (DESACTIVADA).
<b>d.CS</b>	Seleccionada 'ON' (ACTIVADA). Presione el botón COLD (FRÍA) 3 veces consecutivas para esta selección. Cuando se seleccione el modo tragamonedas con corredera, establezca 'b' en un valor igual al del tragamonedas en incrementos de \$0,05. Establezca el paso 6 (precio para ciclo normal) y el paso 3 (precio para ciclo especial) en el número de veces que funcione el tragamonedas. Si el instalador programa 'CS' en un modelo con tragamonedas, este no registrará las monedas. → Presione el botón WARM (TIBIA) una vez para ver el siguiente código.
<b>E.00</b>	<b>OPCIÓN DE AÑADIR MONEDAS</b> Esta opción está SELECTED 'ON' (SELECCIONADA 'Activada') o NOT SELECTED 'OFF' (NO ESTÁ SELECCIONADA 'DESACTIVADA'). Esta opción hace que la pantalla del cliente muestre el número de monedas (moneda 1) que deben insertarse en lugar de la cantidad monetaria.
<b>E.00</b>	No seleccionada 'OFF' (DESACTIVADA).
<b>E.AC</b>	Seleccionada 'ON' (ACTIVADA). Presione el botón COLD (FRÍA) 3 veces consecutivas para esta selección. → Presione el botón WARM (TIBIA) una vez para ver el siguiente código.
<b>F.00</b>	<b>OPCIÓN DE PRECIO MEJORADO</b>
<b>F.00</b>	No seleccionada 'OFF' (DESACTIVADA).
<b>F.SU</b>	Precio de Super Cycle (Ciclo superior) activado. Esta opción permite que los clientes mejoren los ciclos si depositan más dinero. Los códigos de programación 'H.' y 'h.' solo se mostrarán cuando esta opción esté activada. Presione el botón COLD (FRÍA) para hacer esta selección. → Presione el botón WARM (TIBIA) una vez para ver el siguiente código.
<b>H.01</b>	<b>PRECIO DE ACTUALIZACIÓN DEL SUPER CYCLE</b> (Se omite a menos que el precio del Super Cycle [Ciclo superior] esté activado.)
<b>H.01</b>	Esto representa el número de monedas 1 que se necesitan para cambiar de un ciclo básico a uno superior. Avance de 0 a 33 presionando el botón HOT (CALIENTE). → Presione el botón WARM (TIBIA) una vez para ver el siguiente código.
<b>h.01</b>	<b>TIPO DE SUPER CYCLE</b> (Se omite a menos que el precio del Super Cycle [Ciclo superior] esté activado.)
<b>h.01</b>	Esto representa la opción para mejorar el Super Cycle (Ciclo superior). Presione el botón HOT (CALIENTE) para avanzar por las opciones de mejora de 1 a 3 como sigue: 01 - lavado mejorado, 3 minutos adicionales de rotación de lavado además del tiempo de lavado programado. 02 - enjuague adicional para todos los ciclos. 03 - tanto 01 como 02. → Presione el botón WARM (TIBIA) una vez para ver el siguiente código.
<b>J.Cd</b>	<b>OPCIÓN DE MONEDA/TARJETA DE PAGO AUTOMÁTICO</b>
<b>J.Cd</b>	Se han seleccionado tanto moneda como el pago con tarjeta de pago automático. Presione el botón COLD (FRÍA) 3 veces consecutivas para cambiar esta selección. (Valor por defecto para los modelos 9150)
<b>J.C_</b>	Pago con monedas activado, pago con tarjeta de pago automático desactivado. Presione el botón COLD (FRÍA) 3 veces consecutivas para cambiar esta selección.
<b>J_d</b>	Tarjeta de débito seleccionada, pago con monedas desactivado. Presione el botón COLD (FRÍA) 3 veces consecutivas para cambiar esta selección. (Valor por defecto para modelos sin tragamonedas)
<b>J.Ed</b>	Enhanced Debit (modo mejorado) de tarjeta de débito se elige automáticamente cuando un lector de tarjeta de generación 2 se instala en la lavadora. La opción Ed (Débito mejorado) no se puede seleccionar ni cancelar manualmente. → Presione el botón WARM (TIBIA) una vez para ver el siguiente código.

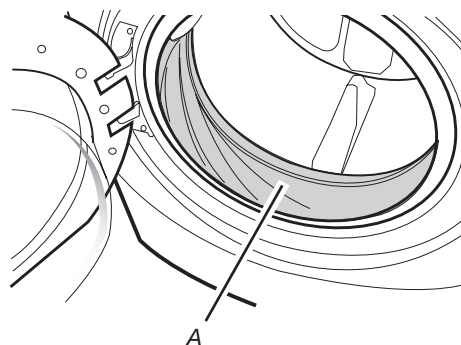


# CUIDADO DE LA LAVADORA

## Limpeza de la lavadora

### Limpeza del sello/fuelle de la puerta

1. Abra la puerta de la lavadora y saque cualquier prenda o elemento que estuviera dentro.
2. Inspeccione la puerta interior de vidrio. Si hay desechos en esta, límpiela con un paño húmedo.
3. Inspeccione el sello/fuelle de color que se encuentra entre la abertura de la puerta y el tambor para detectar si hay áreas manchadas. Empuje el sello/fuelle hacia atrás para inspeccionar todas las áreas debajo del sello/fuelle y controle si hay objetos extraños.



A. Sello/Fuelle

4. Si se encuentran áreas manchadas en el sello/fuelle, límpielas siguiendo este procedimiento.
  - a) Haga una solución diluida con 3/4 de tazas (177 mL) de blanqueador líquido de cloro y 1 galón (3,8 L) de agua templada del grifo.
  - b) Limpie el área del sello/fuelle con la solución diluida y un paño húmedo.
  - c) Déjelo reposar durante 5 minutos.
  - d) Limpie el área meticulosamente con un paño seco y deje que el interior de la lavadora se seque al aire con la puerta abierta.

### IMPORTANTE:

- Use guantes de goma cuando limpie por períodos prolongados.
- Consulte las instrucciones del fabricante sobre el uso adecuado del blanqueador.

### Procedimiento para el mantenimiento de la lavadora

Esta lavadora tiene un ciclo especial que utiliza mayores volúmenes de agua junto con blanqueador líquido con cloro para limpiar meticulosamente el interior de su lavadora.

### NOTAS:

- Lea estas instrucciones completamente antes de comenzar el proceso de limpieza.
- Si es necesario, el ciclo de limpieza puede interrumpirse presionando dos veces el botón COLD (FRÍA). Sin embargo, el ciclo no se detendrá inmediatamente. La lavadora continuará con varios pasos de enjuague y desagüe para asegurar que se haya enjuagado todo el blanqueador de la lavadora.

### Comience el procedimiento

1. Abra la puerta de la lavadora y saque cualquier prenda o elemento que estuviera dentro.
2. **Use blanqueador líquido con cloro:** Abra el cajón del depósito y agregue inmediatamente 2/3 de taza (160 mL) de blanqueador líquido con cloro en el compartimiento del blanqueador.

**NOTA:** No agregue ningún detergente a este ciclo. Si usa más de 2/3 de taza (160 mL) de blanqueador, el producto se dañará con el tiempo.

3. Cierre la puerta de la lavadora y la gaveta de depósito.

CÓDIGO	EXPLICACIÓN
<b>L.00</b>	<b>OPCIÓN DE SUPRESIÓN DE PRECIO</b> Con esta opción, la pantalla muestra "ADD" (AGREGAR) o "AVAILABLE" (DISPONIBLE) en lugar del monto para agregar. (Se utiliza principalmente en las instalaciones con débito).
<b>L.00</b>	No seleccionada 'OFF' (DESACTIVADA).
<b>L.PS</b>	Seleccionada 'ON' (ACTIVADA). Presione el botón COLD (FRÍA) una vez para hacer esta selección. → Presione el botón WARM (TIBIA) una vez para ver el siguiente código.
<b>n.CE</b>	<b>OPCIÓN PARA BORRAR LA CANTIDAD EN EL DEPÓSITO</b> Cuando la seleccione, el dinero que esté depositado durante 30 minutos sin más depósitos o actividad de ciclos se eliminará.
<b>n.00</b>	No seleccionada 'OFF' (DESACTIVADA).
<b>n.CE</b>	Seleccionada 'ON' (ACTIVADA). Presione el botón COLD (FRÍA) una vez para hacer esta selección. → Presione el botón WARM (TIBIA) una vez para ver el siguiente código.
<b>U.00</b>	<b>COMPENSACIÓN DE INCREMENTO DE CENTÉSIMOS</b>
<b>U.00</b>	Esto representa la compensación del precio en incrementos de centavos que utilizar con los lectores de tarjetas de generación 2. Elija de 0 a 4 centavos presionando el botón HOT (CALIENTE). → Presione el botón WARM (TIBIA) una vez para ver el siguiente código.
<b>A1.00</b>	<b>DURACIÓN DEL PRELAVADO</b>
<b>A1.00</b>	Este es el número de minutos para el PREWASH (PRELAVADO). Elija 00 para desactivar el prelavado, o seleccione entre 02 y 07 minutos presionando el botón HOT (CALIENTE). → Presione el botón WARM (TIBIA) una vez para ver el siguiente código.

### Si se selecciona el contador de ciclos (9 0C), lo siguiente es correcto:

1 00	Representa el número de ciclos en CIENTOS.	1 02 = 200
2 00	Representa el número de ciclos en UNIDADES.	2 25 = 25
NÚMERO TOTAL DE CICLOS		= 225

Esto es "VIEW ONLY" (SOLO LECTURA) y no se puede borrar.

Presione el botón Temperatura (Temperatura) una vez para ver el siguiente código.

### Si se selecciona el contador de dinero (1.0C o 1.C0), lo siguiente es correcto:

3 00	Número de dólares en CIENTOS	3 01 = 100,00 \$
4 00	Número de dólares en UNIDADES	4 68 = \$ 68.00
5 00	Número de CENTAVOS	5 75 = \$ 00.75
TOTAL		= \$168,75

### CÓDIGO DE ACCESO DE SERVICIO

Este código se puede ingresar para entrar al modo de servicio sin quitar la consola. El código de acceso de servicio funciona solamente en lavadoras programadas para un precio de venta de 0, y la opción de monedas/tarjeta de pago automático deberá fijarse en "J\_d". Si la lavadora no está en modo de falla, deberá abrirse la puerta para continuar. Para el código de acceso de servicio, se deben seguir 4 pasos. Complete los pasos siguientes:

1. Presione el botón superior izquierdo.
2. Presione el botón inferior derecho.
3. Presione el botón superior derecho.
4. Presione el botón inferior izquierdo.

**NOTA:** Si el procedimiento del Código de acceso de servicio no se realiza correctamente, como se explica arriba, hay una demora de 15 segundos antes de que se pueda realizar nuevamente.

### Hay 3 opciones para salir del Modo de servicio:

1. Desde el código de programación 8, presione el botón n.º 1 durante 4 segundos.
2. Espere 2 minutos sin tocar ningún botón (sin que estén funcionando los modos de diagnóstico).
3. Apague la lavadora y luego vuelva a encenderla.

4. Para poner a funcionar el ciclo Clean Washer (Limpiar la lavadora), primero ingrese "Start Operating Set-up" (Iniciar la preparación del funcionamiento). Luego mantenga presionado COLD (FRÍA) durante 1 segundo. Cuando esté destellando todo en la pantalla, presione COLORS/DELICATES (ROPA DE COLOR/ROPA DELICADA).

**NOTA:** El tambor girará, la puerta se desbloqueará, se bloqueará de nuevo y el ciclo continuará.

- La lavadora no se llenará, pero el tambor rotará mientras la lavadora hace un ciclo corto de detección. Esto tardará aproximadamente 3 minutos.
5. El ciclo determinará si hay ropa u otros artículos en la lavadora.
    - a) Si no se detectan artículos en la lavadora, se procederá al paso 7.
    - b) Si se detecta algún artículo en la lavadora, la pantalla mostrará "rL" o "F-34". Luego la puerta se desbloqueará.
  - Presione COLD (FRÍA) para anular el código de falla. Después repita los pasos 1, 3 y 4 para comenzar nuevamente el ciclo.
  6. Una vez que haya comenzado el ciclo, deje que finalice.
  7. Una vez que haya finalizado el ciclo, deje la puerta levemente abierta para que haya una mejor ventilación y secado del interior de la lavadora.

**Siempre haga lo siguiente para mantener la frescura de la lavadora:**

- Utilice solamente un detergente de alto rendimiento "HE" (ALTO RENDIMIENTO).
- Deje la puerta levemente abierta después de cada ciclo para permitir una mejor ventilación y secado del interior de la lavadora.
- Limpie la lavadora cada mes usando el Procedimiento de mantenimiento para la lavadora usando 2/3 de taza (160 ml) de blanqueador líquido con cloro.
- Si el procedimiento no mejora suficientemente la frescura de la lavadora, sírvase evaluar su instalación y las condiciones de uso para detectar otras causas.

---

### Limpeza externa

---

Use un paño suave y húmedo o una esponja para limpiar cualquier derrame. De vez en cuando, limpie el exterior de su lavadora para que se vea como nueva. Use jabón suave y agua. No use productos abrasivos.

---

### Limpeza del cajón del dosificador

---

El cajón del dosificador es desmontable para facilitar la limpieza.

1. Desbloquee la gaveta de depósito presionando la palanca de desenganche. Retire la gaveta.
2. Quite los insertos (el sifón de los compartimientos del suavizante y del blanqueador).
3. Lave las piezas con agua de grifo.

**NOTA:** No lave los componentes en la lavavajillas.

4. Vuelva a colocar los insertos y coloque nuevamente el dosificador en el cajón.

### Mangueras de entrada de agua

Reemplace las mangueras de entrada de agua después de 5 años de uso para reducir el riesgo de que fallen. Inspeccione periódicamente y cambie las mangueras de entrada de agua si se hallan protuberancias, torceduras, cortes, desgaste o pérdidas de agua.

Cuando reemplace sus mangueras de entrada de agua, anote la fecha de reposición en la etiqueta con un marcador permanente.

## ASISTENCIA O SERVICIO TÉCNICO

**Si necesita asistencia:**

Póngase en contacto con el distribuidor donde compró la lavadora, localice a un distribuidor autorizado de productos de lavandería comercial de Whirlpool, o visite [www.whirlpoolcommerciallaundry.com](http://www.whirlpoolcommerciallaundry.com).

Cuando llame, usted necesitará tener a mano el número del modelo y de la serie de la lavadora. Ambos números se encuentran en la placa de clasificación de serie que está ubicada en su lavadora.

## NOTES

## NOTES

## NOTES

## NOTES

## NOTES

