



# INSTALLATION INSTRUCTIONS

## Commercial Stacked Dryer Gas or Electric

# INSTRUCTIONS D'INSTALLATION

## Sécheuse commerciale superposée (gaz et électrique)

# INSTRUCCIONES DE INSTALACIÓN

## Secadora apiladas comerciales eléctricas o a gas

TABLE OF CONTENTS	TABLE DES MATIÈRES	ÍNDICE
DRYER SAFETY..... 2	SÉCURITÉ DE LA SÈCHEUSE..... 26	SEGURIDAD DE LA SECADORA..... 51
TOOLS & PARTS..... 5	OUTILS ET PIÈCES ..... 29	HERRAMIENTAS Y PIEZAS..... 54
DIMENSIONS/CLEARANCES ..... 6	DIMENSIONS/DISTANCES DE	DIMENSIONES Y ESPACIOS LIBRES .. 55
LOCATION REQUIREMENTS..... 7	DEGAGEMENT ..... 30	REQUISITOS DE LA UBICACIÓN ..... 56
GAS DRYER ELECTRICAL	EXIGENCES D'EMPLACEMENT..... 31	REQUISITOS ELÉCTRICOS DE
REQUIREMENTS ..... 7	SPECIFICATIONS ÉLECTRIQUES DE	LA SECADORA A GAS..... 57
GAS REQUIREMENTS ..... 8	LA SÈCHEUSE À GAZ..... 32	REQUISITOS DE GAS ..... 57
ELECTRIC DRYER ELECTRICAL	EXIGENCES CONCERNANT	REQUISITOS ELÉCTRICOS DE
REQUIREMENTS - U.S.A. ONLY..... 9	L'ALIMENTATION EN GAZ..... 32	LA SECADORA ELÉCTRICA
DRYER VENTING REQUIREMENTS ..... 10	SPECIFICATIONS ÉLECTRIQUES	(SOLO PARA EE. UU.)..... 58
LEVELING FEET ..... 12	DE LA SÈCHEUSE ÉLECTRIQUE -	REQUISITOS DE VENTILACION DE
LEVELING ..... 12	E.-U. SEULEMENT..... 33	LA SECADORA..... 59
GAS SUPPLY CONNECTION..... 13	EXIGENCES CONCERNANT	PATAS NIVELADORAS..... 61
ELECTRIC DRYER ELECTRICAL	L'ÉVACUATION DE LA SÈCHEUSE..... 34	NIVELACIÓN..... 62
CONNECTIONS - U.S.A. ONLY..... 14	PIEDS DE NIVELLEMENT..... 36	CONEXIÓN DEL SUMINISTRO DE GAS... 62
COMPLETE INSTALLATION ..... 18	NIVELLEMENT..... 37	CONEXIONES ELÉCTRICAS DE LA
REVERSING DRYER DOOR SWING	RACCORDEMENT DE L'ALIMENTATION	SECADORA ELÉCTRICA
(OPTIONAL) ..... 18	EN GAZ..... 37	(SOLO PARA EE. UU.)..... 63
MAINTENANCE INSTRUCTIONS..... 19	CONNEXIONS ÉLECTRIQUES DE	INSTALACIÓN COMPLETA ..... 68
IF YOU NEED ASSISTANCE..... 19	LA SÈCHEUSE ÉLECTRIQUE -	CAMBIO DE SENTIDO DE LA
ELECTRONIC CONTROL SETUP	É.-U. SEULEMENT..... 38	APERTURA DE LA PUERTA
INSTRUCTIONS ..... 20	FIN DE L'INSTALLATION..... 43	(OPCIONAL)..... 68
ACCESS TO USB PORT..... 25	INVERSION DU SENS D'OUVERTURE	INSTRUCCIONES DE
	DE LA PORTE DE LA SÈCHEUSE	MANTENIMIENTO ..... 69
	(OPTIONNEL)..... 43	SI NECESITA ASISTENCIA ..... 69
	INSTRUCTIONS D'ENTRETIEN ..... 44	INSTRUCCIONES DE PROGRAMACIÓN
	EN CAS DE BESOIN D'ASSISTANCE... 44	DEL CONTROL ELECTRÓNICO..... 69
	INSTRUCTIONS DE CONFIGURATION	CÓMO ACCEDER AL PUERTO USB..... 74
	DES COMMANDES ÉLECTRONIQUES... 44	
	ACCÈS AU PORT USB..... 49	

# DRYER SAFETY

## Your safety and the safety of others are very important.

We have provided many important safety messages in this manual and on your appliance. Always read and obey all safety messages.



This is the safety alert symbol.

This symbol alerts you to potential hazards that can kill or hurt you and others.

All safety messages will follow the safety alert symbol and either the word “DANGER” or “WARNING.”

These words mean:

**⚠ DANGER**

You can be killed or seriously injured if you don't immediately follow instructions.

**⚠ WARNING**

You can be killed or seriously injured if you don't follow instructions.

All safety messages will tell you what the potential hazard is, tell you how to reduce the chance of injury, and tell you what can happen if the instructions are not followed.



## **WARNING - “Risk of Fire”**

- Clothes dryer installation must be performed by a qualified installer.
- Install the clothes dryer according to the manufacturer's instructions and local codes.
- Do not install a clothes dryer with flexible plastic venting materials or flexible metal (foil type) duct. If flexible metal duct is installed, it must be of a specific type identified by the appliance manufacturer as suitable for use with clothes dryers. Flexible venting materials are known to collapse, be easily crushed, and trap lint. These conditions will obstruct clothes dryer airflow and increase the risk of fire.
- To reduce the risk of severe injury or death, follow all installation instructions.
- Save these instructions.

- It is recommended that the owner post, in a prominent location, instructions for the customer's use in the event the customer smells gas. This information should be obtained from your gas supplier.
- Post the following warning in a prominent location.

### FOR YOUR SAFETY

Do not store or use gasoline or other flammable vapors and liquids in the vicinity of this or any other appliance.

### IMPORTANT SAFETY INSTRUCTIONS

When discarding or storing your old clothes dryer, remove the door.

**SAVE THESE INSTRUCTIONS**

# DRYER SAFETY

## **WARNING:**

### **FIRE OR EXPLOSION HAZARD**

Failure to follow safety warnings exactly could result in serious injury, death or property damage.

- Do not store or use gasoline or other flammable vapors and liquids in the vicinity of this or any other appliance.
- **WHAT TO DO IF YOU SMELL GAS:**
  - Do not try to light any appliance.
  - Do not touch any electrical switch; do not use any phone in your building.
  - Clear the room, building, or area of all occupants.
  - Immediately call your gas supplier from a neighbor's phone. Follow the gas supplier's instructions.
  - If you cannot reach your gas supplier, call the fire department.
- Installation and service must be performed by a qualified installer, service agency, or the gas supplier.

**WARNING:** Gas leaks cannot always be detected by smell.

Gas suppliers recommend that you use a gas detector approved by UL or CSA.

For more information, contact your gas supplier.

If a gas leak is detected, follow the "What to do if you smell gas" instructions.

In the State of Massachusetts, the following installation instructions apply:

- Installations and repairs must be performed by a qualified or licensed contractor, plumber, or gas fitter qualified or licensed by the State of Massachusetts.
- Acceptable Shut-off Devices: Gas Cocks and Ball Valves installed for use shall be listed.
- A flexible gas connector, when used, must not exceed 4 feet (121.9 cm).

**IMPORTANT:** The gas installation must conform with local codes, or in the absence of local codes, with the National Fuel Gas Code, ANSI Z223.1/NFPA 54, or the Natural Gas and Propane Installation Code, CSA B149.1.

The dryer must be electrically grounded in accordance with local codes, or in the absence of local codes, with the National Electrical Code, ANSI/NFPA 70, or the Canadian Electrical Code, Part 1, CSA C22.1.

## **WARNING**

### **Fire Hazard**

Failure to follow safety warnings exactly could result in serious injury, death, or property damage.

Do not install a booster fan in the exhaust duct.

Install all clothes dryers in accordance with the installation instructions of the manufacturer of the dryer.

# DRYER SAFETY

## IMPORTANT SAFETY INSTRUCTIONS

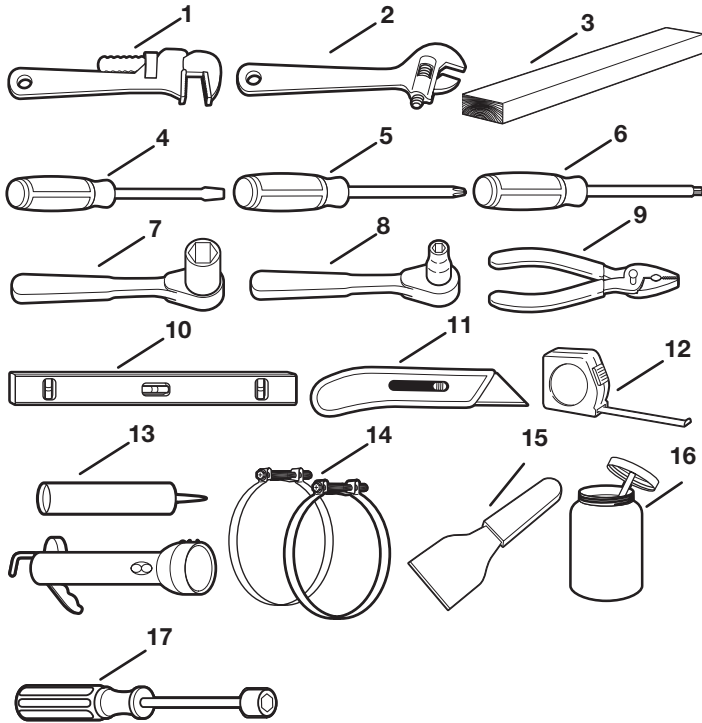
**WARNING:** To reduce the risk of fire, electric shock, or injury to persons when using the dryer, follow basic precautions, including the following:

- Read all instructions before using the dryer.
- This dryer is intended only for drying clothes and textiles that have been washed in water. Do not use for any other purpose.
- **WARNING:** If you smell gas, do not use the dryer or any electrical equipment nearby. Warn other people to clear the area. Contact the dryer owner immediately.
- Do not place items exposed to cooking oils in your dryer. Items contaminated with cooking oils may contribute to a chemical reaction that could cause a load to catch fire.
- To reduce the risk of fire due to contaminated loads, the final part of a tumble dryer cycle occurs without heat (cool down period). Avoid stopping a tumble dryer before the end of the drying cycle unless all items are quickly removed and spread out so that the heat is dissipated.
- Do not dry articles that have been previously cleaned in, washed in, soaked in, or spotted with gasoline, dry-cleaning solvents, other flammable, or explosive substances as they give off vapors that could ignite or explode.
- Do not dry unwashed items in the dryer.
- Risk of Suffocation and Injury from Entrapment: Do not allow children to play on or in the appliance. Close supervision of children is necessary when the appliance is used near children.
- Before the dryer is removed from service or discarded, remove the doors to the dryer compartment.
- Do not reach into the dryer if the drum is moving.
- Do not open door while dryer is in operation. It will stop.
- Do not install or store the dryer where it will be exposed to water and/or the weather.
- Do not tamper with controls.
- Do not use replacement parts that have not been recommended by the manufacturer (e.g. parts made at home using a 3D printer).
- Clean dryer lint screen before or after each load.
- Do not use this dryer without the lint screen in place.
- Do not repair or replace any part of the dryer or attempt any servicing unless specifically recommended in this Installation Instructions or in published user-repair instructions that you understand and have the skills to carry out.
- Do not use fabric softeners or products to eliminate static unless recommended by the manufacturer of the fabric softener or product.
- Do not use heat to dry articles containing foam rubber or similarly textured rubber-like materials.
- The final part of a tumble dryer cycle occurs without heat (cool-down cycle) to ensure that the articles are left at a temperature that ensures that the items will not be damaged.
- **WARNING:** Never stop a tumble dryer before the end of the drying cycle unless all items are quickly removed and spread out so that the heat is dissipated. (Avoids risk of spontaneous combustion).
- Keep area around the exhaust opening and adjacent surrounding areas free from the accumulation of lint, dust, and dirt.
- The interior of the dryer and dryer exhaust vent should be cleaned periodically by qualified service personnel.
- See "Electrical Requirements" section for grounding instructions.
- Do not install a booster fan in the exhaust duct.
- **NOTE:** The booster fan warning does not apply to clothes dryers intended to be installed in a multiple clothes dryer system, with an engineered exhaust duct system that is installed per the clothes dryer manufacturer's guidelines.

**SAVE THESE INSTRUCTIONS**

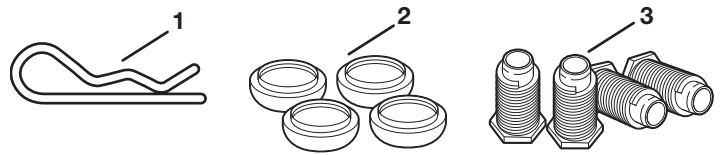
# TOOLS & PARTS

## Tools Needed:



1. 8" (200 mm) or 10" (250 mm) Pipe wrench
2. 8" (200 mm) or 10" (250 mm) Adjustable wrench that opens to 1" (25 mm)
3. 27" (686 mm) Wood block
4. Flat-blade screwdriver
5. Phillips screwdriver
6. TORX® T20®† security screwdriver or bit
7. 1" (25 mm) Hex-head socket wrench
8. 5/16" (8 mm) Socket wrench
9. Pliers (that open to 1<sup>9</sup>/<sub>16</sub>" [39 mm])
10. Level
11. Utility knife
12. Ruler or measuring tape
13. Caulk gun and caulk (for installing new exhaust vent)
14. Vent clamps
15. Putty knife
16. Pipe-joint compound suitable for gas type
17. 1/4" (6 mm) Nut driver

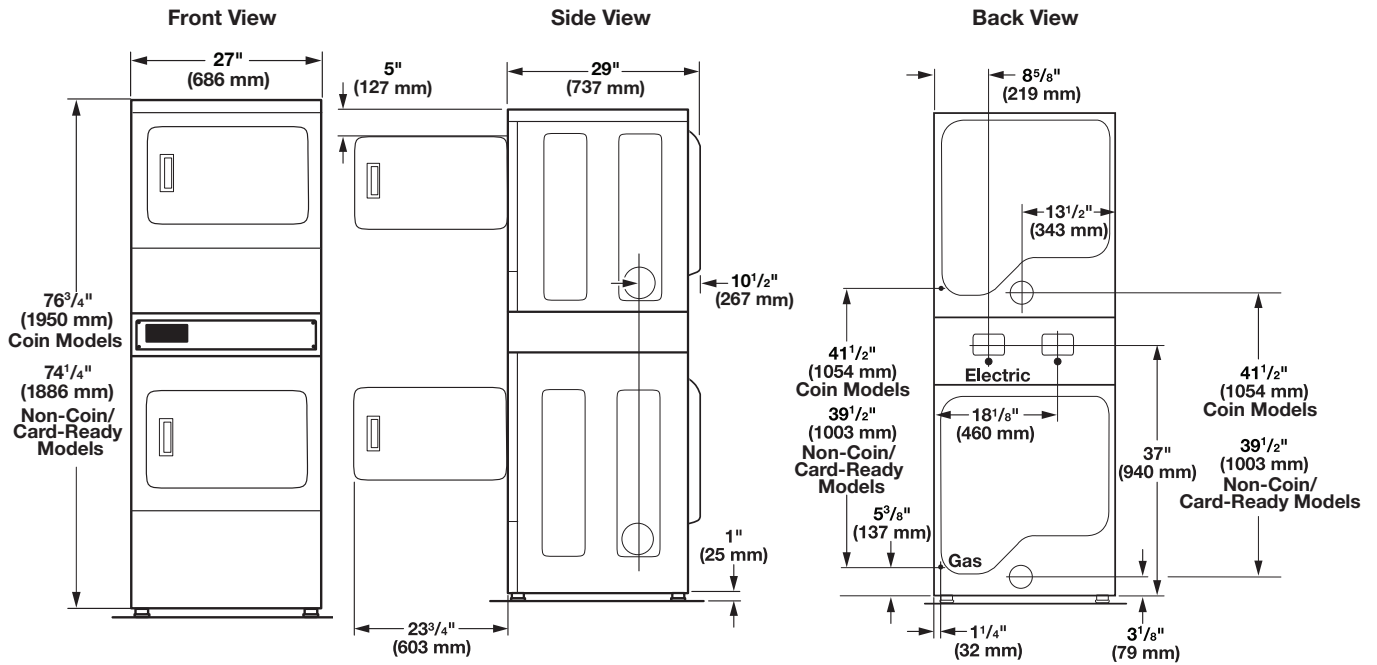
## Parts Supplied:



1. Security cotter pins (2) (located in bag inside the drum)
2. Foot Boots (4) (located in bag inside the drum)
3. Foot (4) for leveling

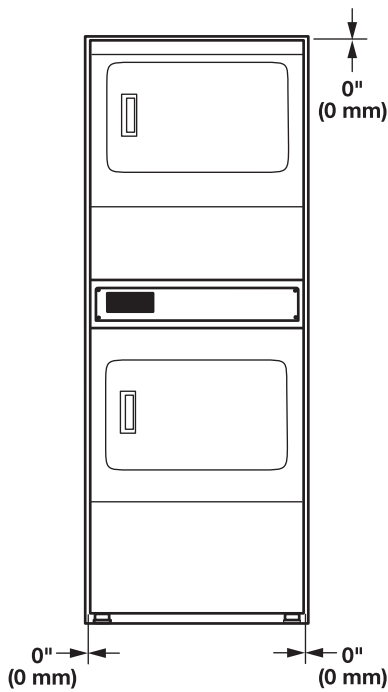
# DIMENSIONS/CLEARANCES

## Dimension:

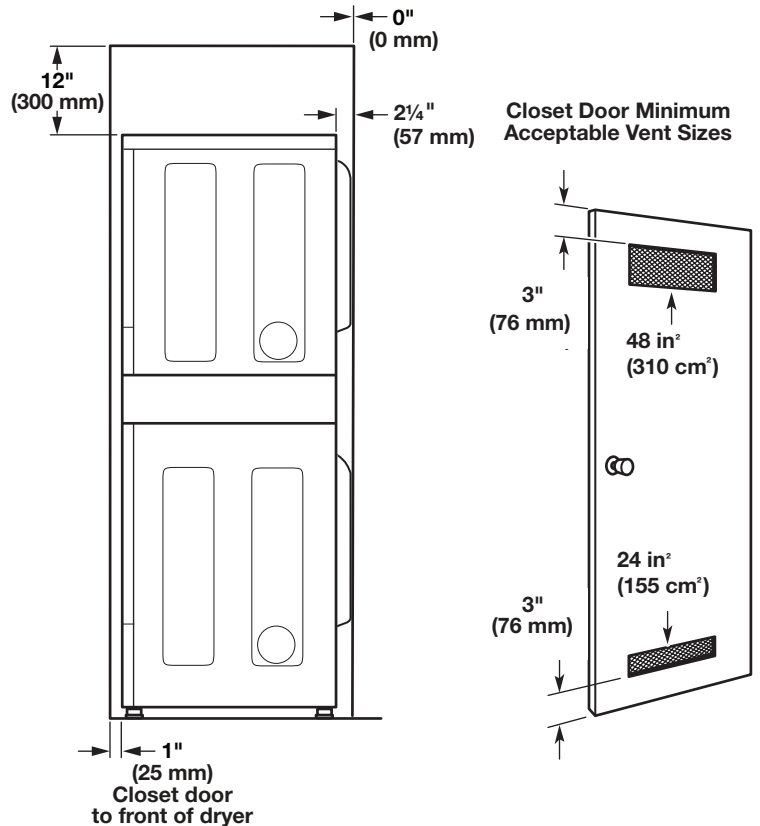


## Minimum Clearance:

Front View, Recessed Opening



Side View, Recessed In Closet



## LOCATION REQUIREMENTS

### **WARNING**



#### **Explosion Hazard**

**Keep flammable materials and vapors, such as gasoline, away from dryer.**

**Do not install in a garage.**

**Failure to do so can result in death, explosion, or fire.**

Your dryer can be installed in a basement, laundry room, or recessed area.

Dryer as received is not intended for Manufactured/Mobile homes. An adapter kit per this install instruction is required for this dryer to be used for a Manufactured/Mobile home.

Companion appliance location requirements should also be considered.

**IMPORTANT:** Do not install or store the dryer where it will be exposed to water and/or the weather. Proper installation is your responsibility.

#### **You will need:**

- A grounded electrical outlet located within 6 ft (1.8 m) of where the power cord is attached to the back of the dryer. See "Electrical Requirements."
- A level floor with a maximum slope of 1" (25 mm) under entire dryer. Installing the dryer on soft floor surfaces, such as carpets or surfaces with foam backing, is not recommended.

#### **Dryer installation clearances**

- The location must be large enough to allow the dryer door to be fully opened.
- Additional spacing should be considered for ease of installation and servicing. The door opens more than 180°.
- Additional clearances might be required for wall, door, and floor moldings.
- Additional spacing of 1" (25 mm) on all sides of the dryer is recommended to reduce noise transfer.
- The back of the dryer shall be installed against a wall. Refer to the minimum installation dimensions/clearances in the diagrams.

#### **When installing a gas dryer:**

**IMPORTANT:** Observe all governing codes and ordinances.

- Check code requirements: Some codes limit or do not permit installation of clothes dryers in garages, closets, or sleeping quarters. Contact your local building inspector.
- Make sure that lower edges of the cabinet, plus the back and bottom sides of the dryer, are free of obstructions to permit adequate clearance of air openings for combustion air. See "Recessed Area Installation Instructions" below for minimum spacing requirements.

## Recessed Area Installation Instructions

This dryer may be installed in a recessed area. For recessed area installations, minimum clearances can be found on the warning label on the rear of the dryer or in "Dimensions/Clearances."

The installation spacing is in inches and is the minimum allowable. Additional spacing should be considered for ease of installation, servicing, and compliance with local codes and ordinances.

The dryer must be exhausted outdoors.

No other fuel-burning appliance may be installed in the same closet as the dryer.

## GAS DRYER ELECTRICAL REQUIREMENTS

### **WARNING**



#### **Electrical Shock Hazard**

**Plug into a grounded 3 prong outlet.**

**Do not remove ground prong.**

**Do not use an adapter.**

**Do not use an extension cord.**

**Failure to follow these instructions can result in death, fire, or electrical shock.**

**IMPORTANT:** The dryer must be electrically grounded in accordance with local codes and ordinances or, in the absence of local codes, with the National Electrical Code, ANSI/NFPA 70, latest edition, or Canadian Electrical Code, CSA C22.1. If codes permit and a separate ground wire is used, it is recommended that a qualified electrical installer determine that the ground path is adequate.

A copy of the above code standards can be obtained from:

National Fire Protection Association  
One Batterymarch Park, Quincy, MA 02269

CSA International  
8501 East Pleasant Valley Road  
Cleveland, Ohio 44131-5575

- Do not ground to a gas pipe.
- Do not have a fuse in the neutral or ground circuit.
- A 120 V, 60 Hz AC only, 15 A, fused electrical circuit is required. A time-delay fuse or circuit breaker is also recommended. It is recommended that a separate circuit serving only this dryer be provided.
- If codes permit and a separate ground wire is used, it is recommended that a qualified electrician determine that the ground path is adequate.
- Check with a qualified electrician if you are not sure the dryer is properly grounded.

## Gas Dryer Grounding

### GROUNDING INSTRUCTIONS

■ For a grounded, cord-connected dryer:  
This dryer must be grounded. In the event of malfunction or breakdown, grounding will reduce the risk of electric shock by providing a path of least resistance for electric current. This dryer uses a cord having an equipment-grounding conductor and a grounding plug. The plug must be plugged into an appropriate outlet that is properly installed and grounded in accordance with all local codes and ordinances.

■ For a permanently connected dryer:  
This dryer must be connected to a grounded metal, permanent wiring system, or an equipment-grounding conductor must be run with the circuit conductors and connected to the equipment-grounding terminal or lead on the dryer.

**WARNING:** Improper connection of the equipment-grounding conductor can result in a risk of electric shock. Check with a qualified electrician or service representative or personnel if you are in doubt as to whether the dryer is properly grounded. Do not modify the plug on the power supply cord: if it will not fit the outlet, have a proper outlet installed by a qualified electrician.

**SAVE THESE INSTRUCTIONS**

## GAS REQUIREMENTS

### Gas Supply

### WARNING



#### Explosion Hazard

Use a new CSA International approved gas supply line.

Install a shut-off valve.

Securely tighten all gas connections.

If connected to propane, have a qualified person make sure gas pressure does not exceed 13" (33 cm) water column.

Examples of a qualified person include:

licensed heating personnel,  
authorized gas company personnel, and  
authorized service personnel.

Failure to do so can result in death, explosion, or fire.

**IMPORTANT:** Observe all governing codes and ordinances.

This installation must conform with all local codes and ordinances. In the absence of local codes, installation must conform with American National Standard, National Fuel Gas Code ANSI Z223.1/NFPA 54 or CAN/CSA B149.

A copy of the above code standards can be obtained from:

National Fire Protection Association  
One Batterymarch Park, Quincy, MA 02269

CSA International  
8501 East Pleasant Valley Road  
Cleveland, Ohio 44131-5575

The design of this dryer has been certified by CSA International for use at altitudes up to 10,000 feet (3,048 m) above sea level at the B.T.U. rating indicated on the model/serial plate. Burner input adjustments are not required when the dryer is operated up to this elevation.

When installed above 10,000 feet (3,048 m), a four percent (4%) reduction of the burner B.T.U. rating shown on the model/serial plate is required for each 1,000 feet (305 m) increase in elevation. For assistance when converting to other gas types and/or installing above 10,000 feet (3,048 m) elevation, contact your local service company.



# ELECTRIC DRYER ELECTRICAL REQUIREMENTS - U.S.A. ONLY

## It is your responsibility:

- To contact a qualified electrical installer.
- To be sure that the electrical connection is adequate and in conformance with the National Electrical Code, ANSI/NFPA 70-latest edition and all local codes and ordinances.
- The National Electrical Code requires a 4-wire power supply connection for homes built after 1996, dryer circuits involved in remodeling after 1996, and all mobile home installations.
- A copy of the above code standards can be obtained from: National Fire Protection Association, One Batterymarch Park, Quincy, MA 02269.
- To supply the required 3- or 4-wire, single phase, 120/240 V, 60 Hz AC only electrical supply (or 3- or 4-wire, 120/208 V electrical supply, if specified on the serial/rating plate) on a separate 30 A circuit, fused on both sides of the line. A time delay fuse or circuit breaker is recommended. Connect to an individual branch circuit. Do not have a fuse in the neutral or grounding circuit.
- Do not use an extension cord.
- If codes permit and a separate ground wire is used, it is recommended that a qualified electrician determine that the ground path is adequate.

## Electrical Connection

To properly install your dryer, you must determine the type of electrical connection you will be using and follow the instructions provided for it here.

- This dryer is manufactured ready to install with a 3-wire electrical supply connection. The neutral ground conductor is permanently connected to the neutral conductor (white wire) within the dryer. If the dryer is installed with a 4-wire electrical supply connection, the neutral ground conductor must be removed from the external ground connector (green screw), and secured under the neutral terminal (center or white wire) of the terminal block. When the neutral ground conductor is secured under the neutral terminal (center or white wire) of the terminal block, the dryer cabinet is isolated from the neutral conductor.
- If local codes do not permit the connection of a neutral ground wire to the neutral wire, see "Optional 3-wire connection" section.
- A 4-wire power supply connection must be used when the appliance is installed in a location where grounding through the neutral conductor is prohibited. Grounding through the neutral is prohibited for (1) new branch-circuit installations and (2) areas where local codes prohibit grounding through the neutral conductor.

## Electric Dryer Grounding

### GROUNDING INSTRUCTIONS

- For a grounded, cord-connected dryer:  
This dryer must be grounded. In the event of malfunction or breakdown, grounding will reduce the risk of electric shock by providing a path of least resistance for electric current. This dryer uses a cord having an equipment-grounding conductor and a grounding plug. The plug must be plugged into an appropriate outlet that is properly installed and grounded in accordance with all local codes and ordinances.
- For a permanently connected dryer:  
This dryer must be connected to a grounded metal, permanent wiring system, or an equipment-grounding conductor must be run with the circuit conductors and connected to the equipment-grounding terminal or lead on the dryer.

**WARNING:** Improper connection of the equipment-grounding conductor can result in a risk of electric shock. Check with a qualified electrician or service representative or personnel if you are in doubt as to whether the dryer is properly grounded. Do not modify the plug on the power supply cord: if it will not fit the outlet, have a proper outlet installed by a qualified electrician.

### SAVE THESE INSTRUCTIONS

## Electric Dryer Power Supply Cord

### WARNING



#### Fire Hazard

- Use a new UL listed 30 A power supply cord.**
- Use a UL listed strain relief.**
- Disconnect power before making electrical connections.**
- Connect neutral wire (white or center wire) to center terminal.**
- Ground wire (green or bare wire) must be connected to green ground connector.**
- Connect remaining 2 supply wires to remaining 2 terminals.**
- Securely tighten all electrical connections.**
- Failure to do so can result in death, fire, or electrical shock.**

## If using a power supply cord:

Use a UL Listed power supply cord kit marked for use with clothes dryers. The kit should contain:

- A UL Listed 30 A power supply cord, rated 120/240 V minimum. The cord should be type SRD or SRDT and be at least 4 ft (1.22 m) long. The wires that connect to the dryer must end in ring terminals or "U" shaped spade terminals with upturned ends.
- A UL Listed strain relief.

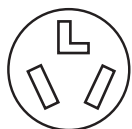
## If your outlet looks like this:



**4-wire  
receptacle  
(14-30R)**

Choose a 4-wire power supply cord with ring or spade terminals and UL Listed strain relief. The 4-wire power supply cord, at least 4 ft (1.22 m) long, must have four 10 gauge copper wires and match a 4-wire receptacle of NEMA Type 14-30R. The ground wire (ground conductor) may be either green or bare. The neutral conductor must be identified by a white cover.

## If your outlet looks like this:



**3-wire  
receptacle  
(10-30R)**

Choose a 3-wire power supply cord with ring or spade terminals and UL Listed strain relief. The 3-wire power supply cord, at least 4 ft (1.22 m) long, must have three 10 gauge copper wires and match a 3-wire receptacle of NEMA Type 10-30R.

## Direct Wire

### **⚠ WARNING**



#### **Fire Hazard**

- Use 10 gauge copper wire.**
- Use a UL listed strain relief.**
- Disconnect power before making electrical connections.**
- Connect neutral wire (white or center wire) to center terminal.**
- Ground wire (green or bare wire) must be connected to green ground connector.**
- Connect remaining 2 supply wires to remaining 2 terminals.**
- Securely tighten all electrical connections.**
- Failure to do so can result in death, fire, or electrical shock.**

## If connecting by direct wire:

Direct wire cable must match power supply (4-wire or 3-wire) and be:

- Flexible armored cable or nonmetallic sheathed copper cable (with ground wire), covered with flexible metallic conduit. All current-carrying wires must be insulated.
- 10 gauge copper wire (do not use aluminum).
- At least 5 ft (1.52 m) long.

## DRYER VENTING REQUIREMENTS

### **⚠ WARNING**



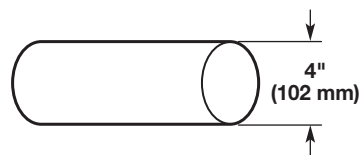
#### **Fire Hazard**

- Use a heavy metal vent.**
- Do not use a plastic vent.**
- Do not use a metal foil vent.**
- Failure to follow these instructions can result in death or fire.**

**WARNING:** To reduce the risk of fire, this dryer **MUST BE EXHAUSTED OUTDOORS.**

**IMPORTANT:** Observe all governing codes and ordinances.

Dryer exhaust must not be connected into any gas vent, chimney, wall, ceiling, attic, crawlspace, or a concealed space of a building. Only rigid or flexible metal vent shall be used for exhausting.



**4" (102 mm) Heavy, metal exhaust vent**

- Only a 4" (102 mm) heavy, metal exhaust vent and clamps may be used.
- Do not use plastic or metal foil vent.

### **Rigid metal vent:**

- Recommended for best drying performance and to avoid crushing and kinking.

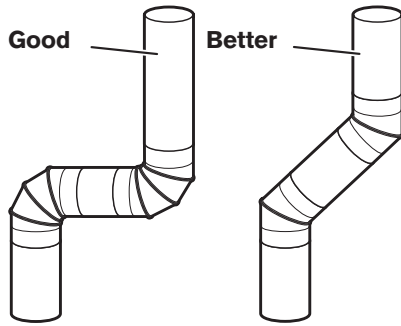
### **Flexible metal vent:** (Acceptable only if accessible to clean)

- Must be fully extended and supported in final dryer location.
- Remove excess to avoid sagging and kinking that may result in reduced airflow and poor performance.
- Do not install in enclosed walls, ceilings, or floors.
- The total length should not exceed 7¾ ft (2.4 m).

**NOTE:** If using an existing vent system, clean lint from entire length of the system and make sure exhaust hood is not plugged with lint. Replace plastic or metal foil vents with rigid metal or flexible metal vents. Review "Vent System Chart" and if necessary, modify existing vent system to achieve best drying performance.

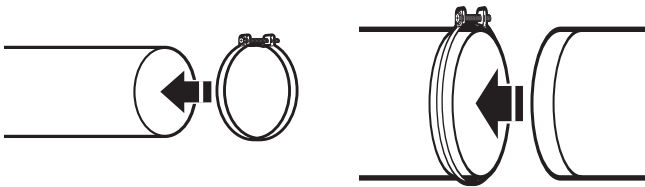
**Elbows:**

- 45° elbows provide better airflow than 90° elbows.



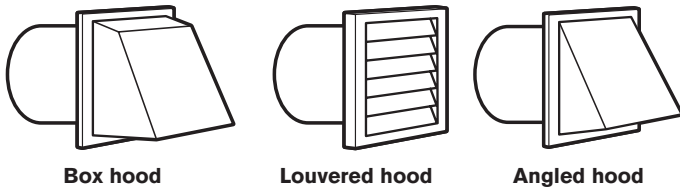
**Clamps:**

- Use clamps to seal all joints.
- Exhaust vent must not be connected or secured with screws or other fastening devices that extend into interior of duct and catch lint. Do not use duct tape.

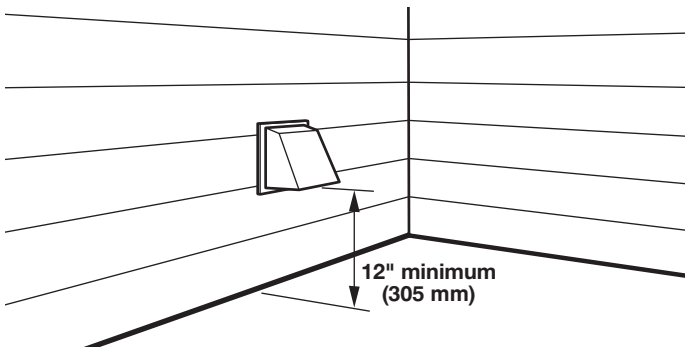


**Vent Hoods:**

**4" (102 mm) Diameter Exhaust Hoods**



Exhaust hood must be at least 12" (305 mm) from the ground or any object that may be in the path of the exhaust (such as flowers, rocks, bushes, or snow).



**Vent System Length**

**Maximum Vent Length/Vent Connection**

Maximum length of vent system depends upon the type of vent used, number of elbows, and type of exhaust hood.

Vent System Length		
No. of 90° Turns	Box and	
	Louvered Hood	Angled Hood
0	64 ft (19.5 m)	58 ft (17.7 m)
1	54 ft (16.5 m)	48 ft (14.6 m)
2	44 ft (13.4 m)	38 ft (11.6 m)
3	35 ft (10.7 m)	29 ft (8.8 m)
4	27 ft (8.2 m)	21 ft (6.4 m)

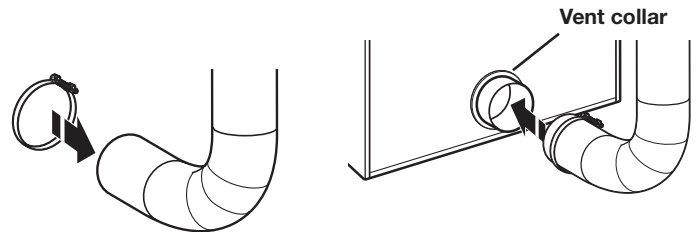
For vent systems not covered by the vent specification chart, see your parts distributor.

Provision must be made for enough air for combustion and ventilation. (Check governing codes and ordinances.) See "Recessed Area Installation Instructions" in the "Location Requirements" sections.

A 4" (102 mm) outlet hood is preferred. However, a 2½" (64 mm) outlet exhaust hood may be used. A 2½" (64 mm) outlet creates greater back pressure than other hood types. For permanent installation, a stationary vent system is required.

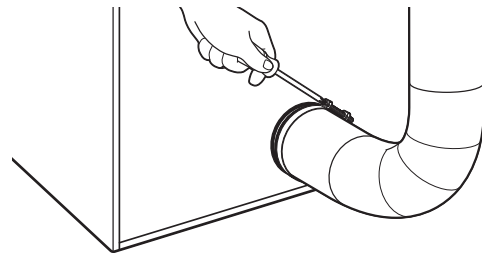
**Connect Vent**

1. If connecting to existing vent, make sure the vent is clean.
2. Using a 4" (102 mm) clamp, connect vent to exhaust outlet in dryer.

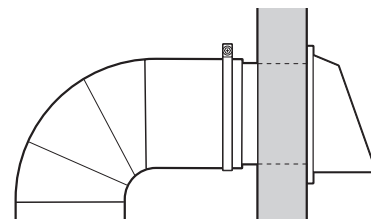


**NOTE:** Do not remove vent collar.

3. Tighten hose clamp with Phillips screwdriver.



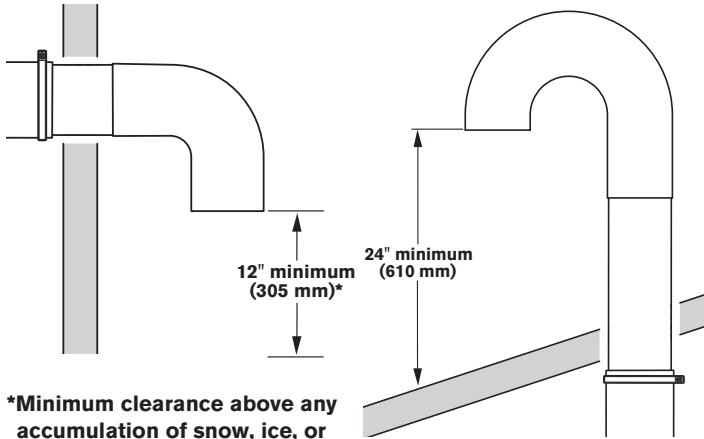
4. Make sure the vent is secured to exhaust hood with a 4" (102 mm) clamp.



5. Move dryer into final position. Do not crush or kink vent. Make sure dryer is level.

### If an Exhaust Hood Cannot be Used

The outside end of main vent should have a sweep elbow directed downward.



**\*Minimum clearance above any accumulation of snow, ice, or debris such as leaves**

If the main vent travels vertically through the roof, rather than through the wall, install a 180° sweep elbow on the end of the vent at least 2 ft (610 mm) above the surface of the roof.

The opening in wall or roof shall have a diameter 1/2" (13 mm) larger than vent diameter. Vent should be centered in opening.

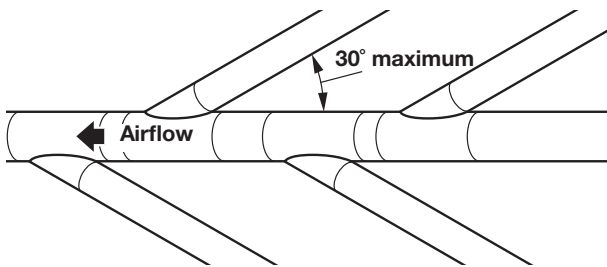
Do not install screening over end of vent for best performance.

### Multiple Dryer Venting

A main vent can be used for venting a group of dryers. The main vent should be sized to remove 5,663 L/min (200 CFM) of air per dryer. Large-capacity lint screens of proper design may be used in main vent if checked and cleaned frequently. The room where the dryers are located should have make-up air equal to or greater than CFM of all the dryers in the room.

Back-draft dampers are available from your distributor and should be installed in the vent of each dryer to keep exhausted air from returning into dryers and to keep exhaust in balance within main vent. Unobstructed return air openings are required.

Each vent should enter the main vent at an angle pointing in the direction of the airflow. Vents entering from the opposite side should be staggered to reduce the exhausted air from interfering with the other vents.



The maximum angle of each vent entering the main vent should be no more than 30°.

Keep air openings free of dry cleaning fluid fumes. Fumes create acids which, when drawn through the dryer heating units, can damage dryers and items being dried.

A clean-out cover should be located on the main vent for periodic cleaning of the vent system.

## LEVELING FEET

### ⚠ WARNING

#### Excessive Weight Hazard

**Use two or more people to move and install dryer.  
Failure to do so can result in back or other injury.**

#### 1. Feet have already been installed on this unit.

**NOTE:** Slide dryer onto cardboard or hardboard before moving to avoid damaging floor covering.

Using two or more people, move dryer to desired installation location.

Take tape off front corners of dryer. Open dryer and remove the literature and parts packages. Wipe drum interior with damp cloth to remove any dust.

Fit a covered foot boot over each leg foot.

To protect the floor, use a large piece of cardboard from the dryer carton. Stand dryer up on the cardboard. Slide the dryer until it is close to its final location. Leave enough room for electrical connection and to connect the exhaust vent.

## LEVELING

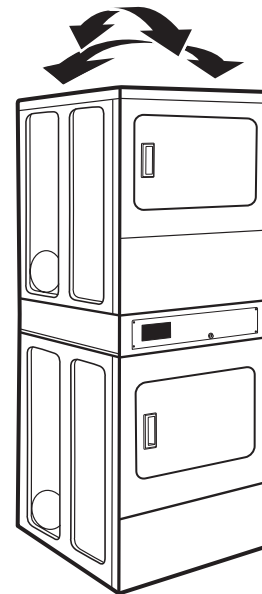
Leveling your dryer properly reduces excess noise and vibration.

### ⚠ WARNING

#### Excessive Weight Hazard

**Use two or more people to move and install dryer.  
Failure to do so can result in back or other injury.**

1. Remove cardboard from beneath dryer. Place a level on top edges of dryer, checking each side and front. If not level, tip dryer and adjust feet up or down, repeating as necessary.
2. Grip dryer from top and rock back and forth, making sure all four feet are firmly on floor. Repeat, rocking dryer from side to side. If dryer rocks, adjust leveling feet.



3. If dryer is not level, turn the leveling feet counterclockwise to lower the dryer or clockwise to raise the dryer. Recheck levelness of dryer and that all four feet are firmly in contact with the floor. Repeat as needed.

**HELPFUL TIP:** You may want to prop up front of dryer about 4" (102 mm) with a wood block or similar object that will support weight of dryer.

## GAS SUPPLY CONNECTION

### Make Gas Connection

#### **⚠ WARNING**



#### Explosion Hazard

Use a new CSA International approved gas supply line.

Install a shut-off valve.

Securely tighten all gas connections.

If connected to propane, have a qualified person make sure gas pressure does not exceed 13" (33 cm) water column.

Examples of a qualified person include:  
licensed heating personnel,  
authorized gas company personnel, and  
authorized service personnel.

Failure to do so can result in death, explosion, or fire.

1. Remove red cap from gas pipe on back of dryer.
2. Connect gas supply to dryer. Use a pipe thread compound approved for the type of gas supplied. If flexible metal tubing is used, be certain there are no kinks.  
  
If necessary for service, open the toe panel. Use a putty knife to press on the toe panel locks located at the upper corners of the toe panel. Pull downward on the toe panel to open. Toe panel is hinged at the bottom.
3. Open the shut-off valve in the gas supply line and make sure the dryer has its own gas supply opened.
4. Test all connections by brushing on an approved noncorrosive leak-detection solution. Bubbles will show a leak. Correct any leaks found.

#### Type of Gas

This dryer is equipped for use with natural gas. It is certified by UL for use with propane gas with appropriate conversion. No attempt shall be made to convert dryer from gas specified on serial/rating plate for use with a different gas without consulting the serving gas supplier. Conversion must be done by a qualified service technician.

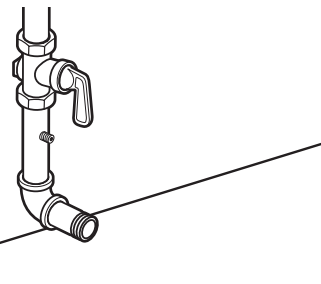
Refer to parts list or [www.whirlpool.com](http://www.whirlpool.com) for gas conversion kit part numbers.

#### Gas Supply Line

##### Recommended Method

Provide a gas supply line of 1/2" (13 mm) rigid (IPS) pipe to dryer location. Pipe joint compounds that resist action of propane gas must be used. Do not use TEFLON<sup>†</sup> tape. With propane gas, piping or tubing size can be 1/2" (13 mm) minimum. Usually, propane gas suppliers determine size and materials used in the system.

<sup>†</sup>TEFLON is a registered trademark of Chemours.



#### Gas Supply Pressure Testing

A 1/8" NPT minimum plugged tapping, accessible for gauge testing, must be installed immediately downstream of the installed shut-off valve to the dryer (as shown above). The dryer must be disconnected from the gas supply piping system during any pressure testing of the system at test pressures in excess of 1/2" psig (352 kg/m<sup>2</sup>).

#### Alternate Method

The gas supply may also be connected using 3/8" (10 mm) approved copper or aluminum tubing. If the total length of the supply line is more than 20 ft (6.1 m), larger tubing will be required.

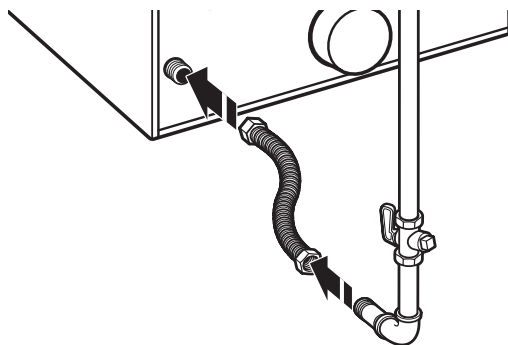
If using natural gas, do not use copper tubing. Pipe joint compounds that resist action of type of gas supplied must be used.

#### Shut-off valve required

The supply line must be equipped with a manual shut-off valve installed within 6 ft (1.8 m) of dryer in accordance with National Fuel Gas Code, ANSI Z223.1. This valve should be located in same room as dryer. It should be in a location that allows ease of opening and closing. Do not block access to shut-off valve.

#### Flexible Metal Appliance Connector

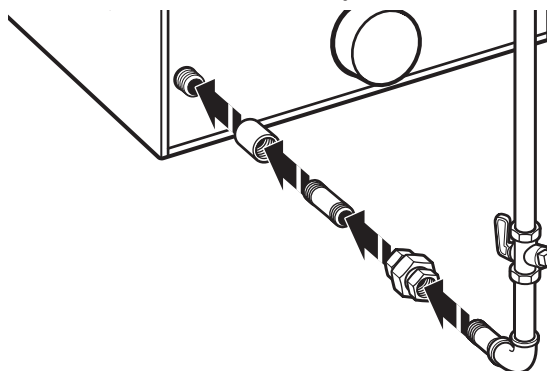
It is recommended that a new flexible stainless steel gas line, design-certified by CSA International, be used for connecting the dryer to the gas supply line. (The gas pipe that extends through the lower rear of the dryer is provided with 3/8" male pipe thread.)



**NOTE:** Do not kink or damage the flexible stainless steel gas line when moving the dryer.

#### Rigid Pipe Connection

The rigid pipe connection requires a combination of pipe fittings to obtain an in-line connection to the dryer.



# ELECTRIC DRYER ELECTRICAL CONNECTIONS - U.S.A. ONLY

## Power Supply Cord Connection

**WARNING**



### Fire Hazard

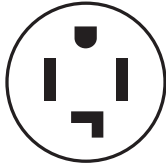
- Use a new UL listed 30 A power supply cord.
- Use a UL listed strain relief.
- Disconnect power before making electrical connections.
- Connect neutral wire (white or center wire) to center terminal.
- Ground wire (green or bare wire) must be connected to green ground connector.
- Connect remaining 2 supply wires to remaining 2 terminals.
- Securely tighten all electrical connections.
- Failure to do so can result in death, fire, or electrical shock.

## Connection Options

### Power Cord

4-wire receptacle (NEMA Type 14-30R)

Go to "Connecting 4-Wire Connection: Power Supply Cord" section.



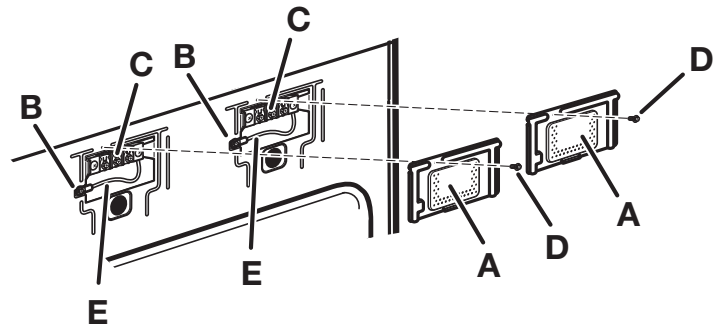
3-wire receptacle (NEMA Type 10-30R)

Go to "Connecting 3-Wire Connection: Power Supply Cord" section.



**NOTE:** If local codes do not permit connection of a cabinet-ground conductor to neutral wire, go to "Connecting 3-Wire Connection: Optional" section. This connection may be used with either a power supply cord or a direct wire connection.

## Remove Terminal Block Cover



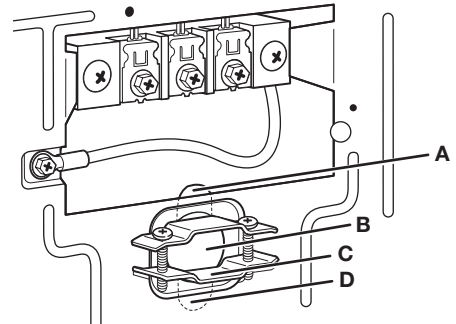
Before you start, disconnect power. Remove hold-down screw (D) and terminal block cover (A).

- A. Terminal block cover
- B. External ground conductor screw
- C. Center terminal block screw
- D. Hold-down screw
- E. Neutral ground wire

## Power Supply Cord Strain Relief

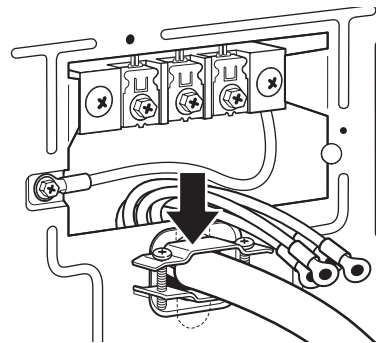
### 1. Insert strain relief

Remove the screws from a 3/4" (19 mm) UL Listed strain relief. Put the tabs of the two clamp sections (C) into the hole below the terminal block opening (B) so that one tab is pointing up (A) and the other is pointing down (D), and hold in place. Tighten strain relief screws just enough to hold the two clamp sections (C) together.



### 2. Insert power cord into strain relief

Put power supply cord through the strain relief. Be sure that the wire insulation on the power supply cord is inside the strain relief. The strain relief should have a tight fit with the dryer cabinet and be in a horizontal position. Do not further tighten strain relief screws at this point.



## Connecting 4-Wire Connection: Power Supply Cord

**IMPORTANT:** A 4-wire connection is required where local codes do not permit the use of 3-wire connections.

Standard Power Supply Cord Connectors



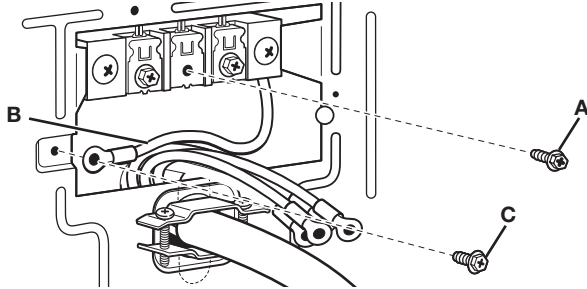
Flanged spade connector



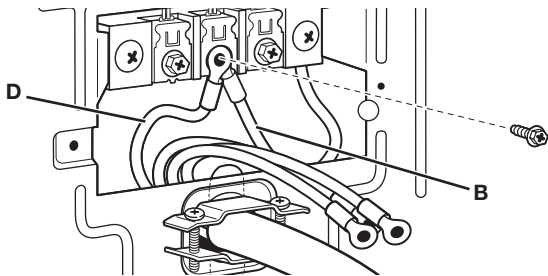
Ring Connector

### Connecting Ground and Neutral Wires

1. Remove center terminal block screw (A) and neutral ground wire (B) by removing the external ground connector screw (C).

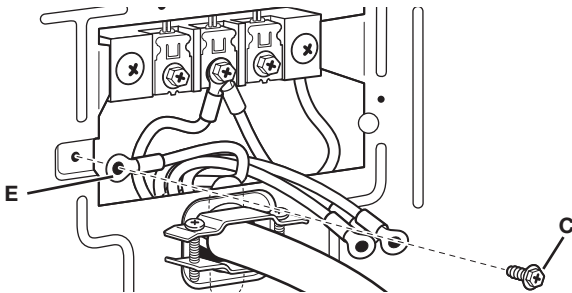


2. Connect neutral ground (B) and neutral wire (white or center) (D) to center terminal block. Tighten screw.



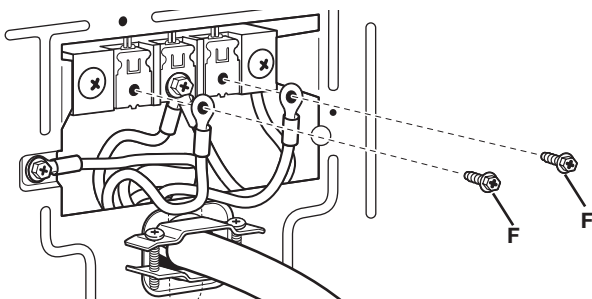
### Connecting Power Cord Ground Wire

3. Connect ground wire (green or bare) (E) with external ground connector screw (C). Tighten screw.



### Connecting Remaining Wires

4. Connect remaining wires with outer terminal block screws (F). Tighten screws. Finally, re-install terminal block cover and tighten hold-down screw. Go to "Complete Installation" section.



## Connecting 3-Wire Connection: Power Supply Cord

Standard Power Supply Cord Connectors



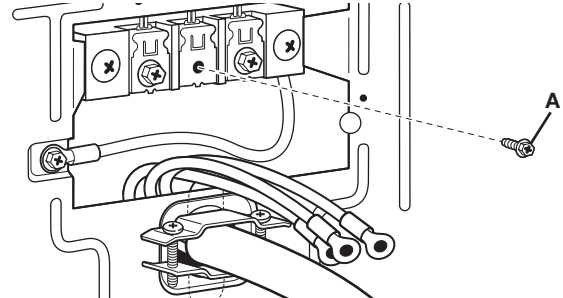
Flanged spade connector



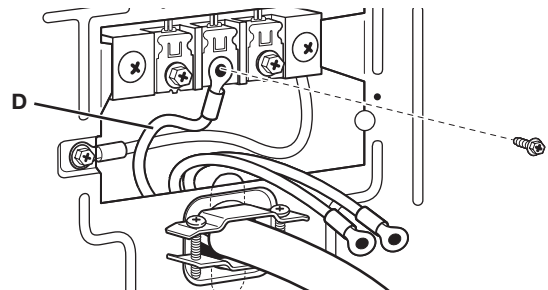
Ring Connector

### Connecting Neutral Wire

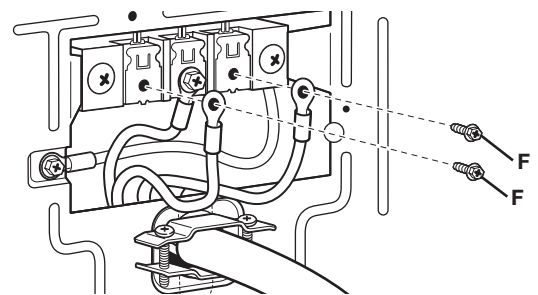
1. Loosen or remove center terminal block screw (A).



2. Connect white neutral wire (white or center) (D) to center terminal block. Tighten screw.



3. Connect remaining wires with outer terminal block screws (F). Tighten screws. Finally, re-install terminal block cover and tighten hold-down screw. Go to "Complete Installation" section.



## Direct Wire Connection

### **⚠️ WARNING**



#### Fire Hazard

Use 10 gauge copper wire.

Use a UL listed strain relief.

Disconnect power before making electrical connections.

Connect neutral wire (white or center wire) to center terminal.

Ground wire (green or bare wire) must be connected to green ground connector.

Connect remaining 2 supply wires to remaining 2 terminals.

Securely tighten all electrical connections.

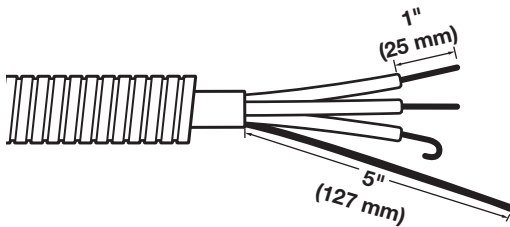
Failure to do so can result in death, fire, or electrical shock.

## Connection Options

### Direct Wire

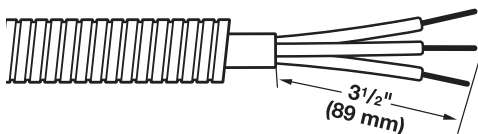
4-wire direct

Go to "Connecting 4-Wire Connection: Direct Wire" section.



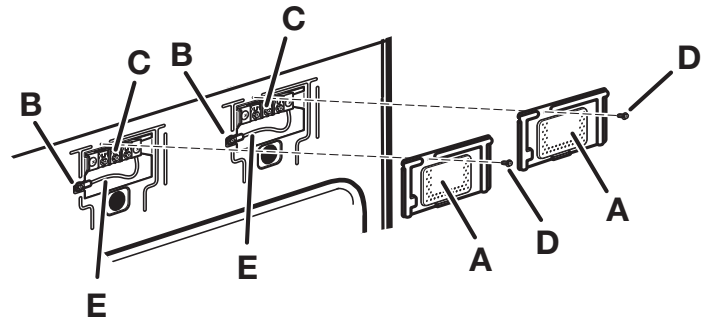
3-wire direct

Go to "Connecting 3-Wire Connection: Direct Wire" section.



**NOTE:** If local codes do not permit connection of a cabinet-ground conductor to neutral wire, go to "Connecting 3-Wire Connection: Optional" section. This connection may be used with either a power supply cord or a direct wire connection.

## Remove Terminal Block Cover



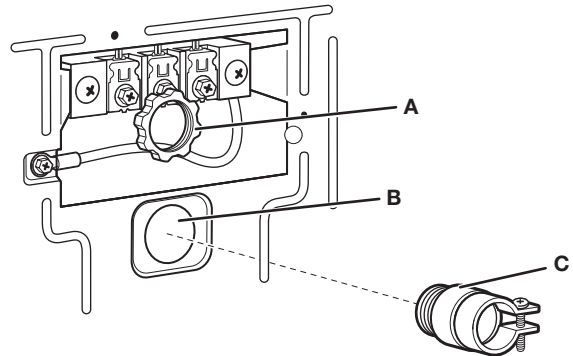
Before you start, disconnect power. Remove hold-down screw (D) and terminal block cover (A).

- A. Terminal block cover
- B. External ground conductor screw
- C. Center terminal block screw
- D. Hold-down screw
- E. Neutral ground wire

## Direct Wire Strain Relief

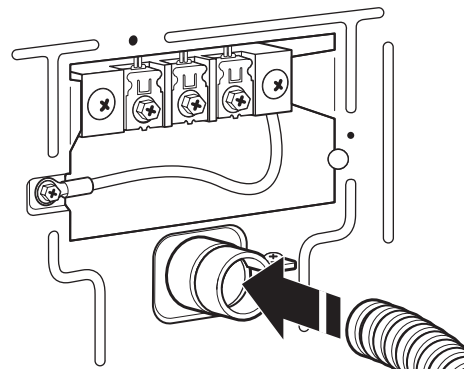
### 1. Insert strain relief.

Unscrew the removable conduit connector (A) and any screws from a from a 3/4" (19 mm) UL Listed strain relief. Put the threaded section of the strain relief (C) through the hole below the terminal block opening (B), screw the removable conduit connector (A) onto the strain relief threads.



### 2. Insert conduit into strain relief and tighten clamp.

Put direct wire cable through the strain relief. The strain relief should have a tight fit with the dryer cabinet and be in a horizontal position. Tighten strain relief screw against the direct wire cable.





### Connecting 4-Wire Connection: Direct Wire

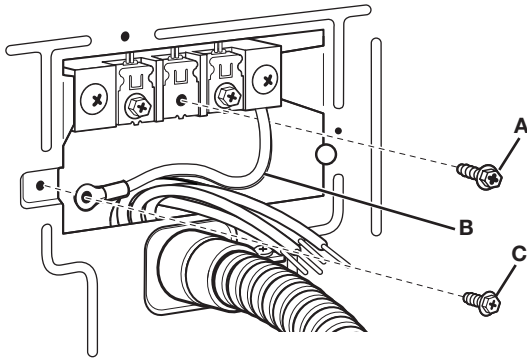
**IMPORTANT:** A 4-wire connection is required where local codes do not permit the use of 3-wire connections.

Direct wire cable must have 5 ft (1.52 m) of extra length so dryer can be moved if needed.

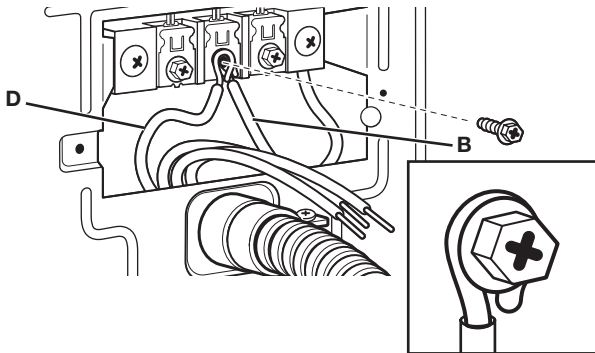
Strip 5" (127 mm) of outer covering from end of cable, leaving bare ground wire at 5" (127 mm). Cut 1½" (38 mm) from three remaining wires. Strip insulation back 1" (25 mm). Shape ends of wires into a hook shape.

### Connecting Neutral Ground and Neutral Wires

1. Remove center terminal block screw (A) and neutral ground wire (B) by removing the external ground connector screw (C).

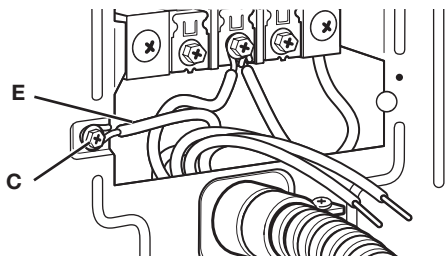


2. Connect neutral ground (B) and place hooked end (hook facing right) of neutral wire (white or center wire) cable under center terminal block screw (B). Squeeze hooked end together. Tighten screw.



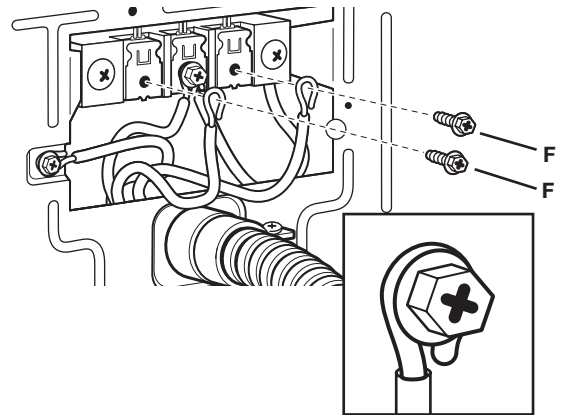
### Connecting Direct Wire Ground

3. Connect ground wire (green or bare) (E) with external ground connector screw (C). Tighten screw.



### Connecting Remaining Wires

4. Place hooked ends of remaining direct wire cables (hooks facing right). Squeeze hooded ends together and tighten screws. Finally, re-install terminal block cover and tighten hold-down screw. Tighten screws. Go to "Complete Installation" section.



### Connecting 3-Wire Connection: Direct Wire

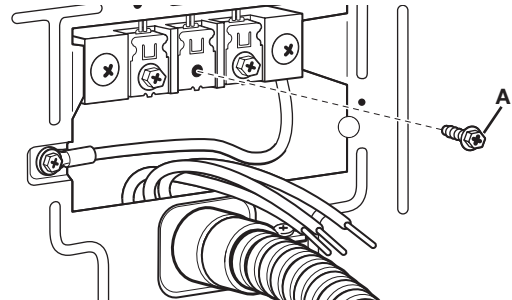
Use where local codes permit connecting cabinet-ground conductor to neutral wire.

Direct wire cable must have 5 ft (1.52 m) of extra length so dryer can be moved if needed.

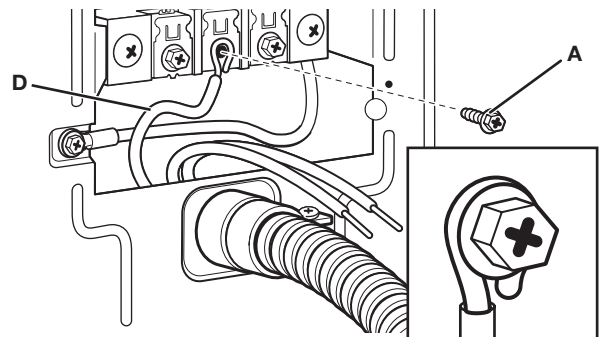
Strip 3½" (89 mm) of outer covering from end of cable. Strip insulation back 1" (25 mm). If using 3-wire cable with ground wire, cut bare wire even with outer covering. Shape ends of wires into a hook shape.

### Connecting Neutral Wire

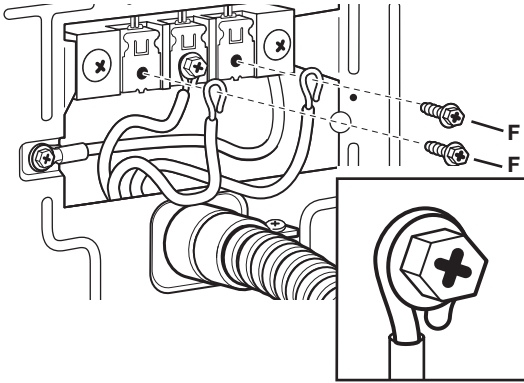
1. Loosen or remove center terminal block screw (A).



2. Place hooked end (hook facing right) of neutral wire (white or center wire) (D) cable under center terminal block screw (B). Squeeze hooked end together. Tighten screw.



- Place hooked ends of remaining direct wire cables (hooks facing right). Squeeze hooked ends together and tighten screws. Finally, re-install terminal block cover and tighten hold-down screw. Tighten screws. Go to "Complete Installation" section.

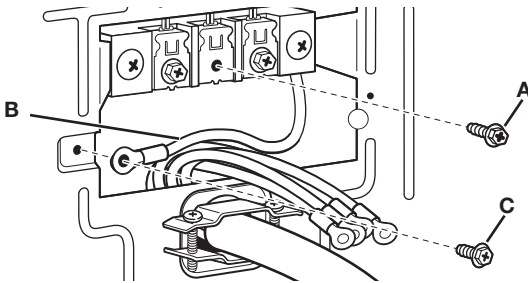


### Connecting 3-Wire Connection: Optional

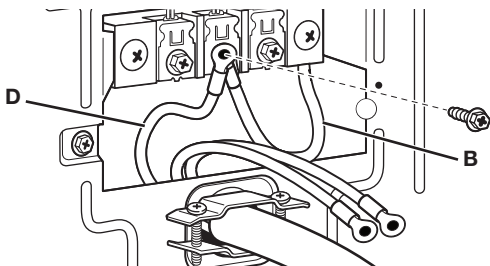
Use for direct wire or power supply cord where local codes do not permit connecting cabinet-ground conductor to neutral wire.

### Connecting Neutral Wire

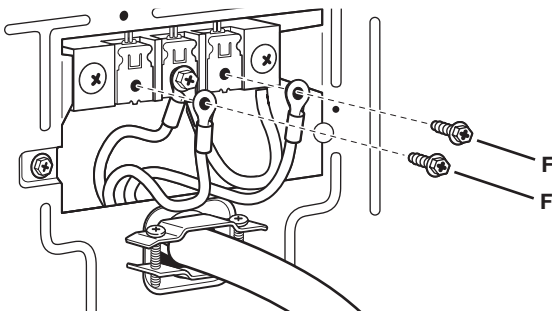
- Remove center terminal block screw (A). Also remove neutral ground wire (B) by removing external ground conductor screw (C).



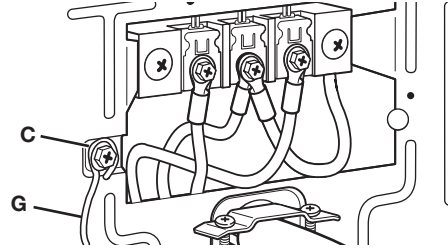
- Connect neutral ground wire (B) and neutral wire (white or center) (D) of power supply cord/cable under center terminal block. Tighten screw.



- Connect remaining wires under outer terminal block. Tighten screws.



- Connect a separate copper ground wire (G) under the external ground conductor to screw (C) an adequate ground. Finally, re-install terminal block cover and tighten hold-down screw. Go to "Complete Installation" section.



## COMPLETE INSTALLATION

- Check the electrical requirements. Be sure that you have the correct electrical supply and the recommended grounding method. See "Electrical Requirements."
- Check that all parts are now installed. If there is an extra part, go back through the steps.
- Check that you have all of your tools.
- Dispose of/recycle all packaging materials.
- Plug into a grounded outlet, or connect power.
- Check dryer operation. Close dryer door. Select the cycle. Using a full heat cycle (not the air cycle), let the dryer run for at least five minutes. Dryer will stop when time is used up.
 

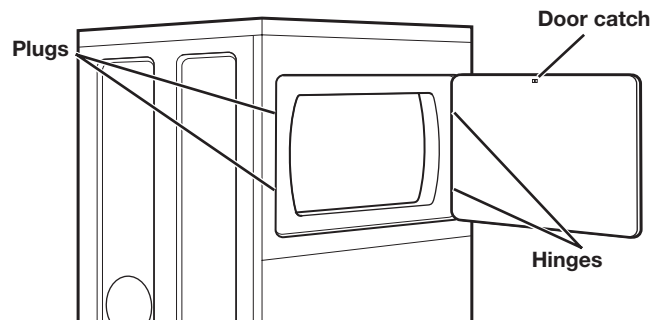
**NOTE:** Dryer door must be closed for dryer to operate. When door is open, dryer stops, but timer continues to run. To restart dryer, close door and re-select the cycle.
- Open the dryer door. Check that the inside of the dryer is warm. If the burner does not ignite and you can feel no heat inside the dryer, shut off dryer for five minutes. Check that all supply valve controls are in "ON" position and that the electrical cord is plugged in. Repeat 5 minutes test.
- If drying time is too long, make sure that the lint screen is clean and that there are no obstructions to airflow in the dryer vent system.
- Restart the dryer and allow it to complete a full heat cycle (not air cycle) to make sure it is working properly.

## REVERSING DRYER DOOR SWING (OPTIONAL)

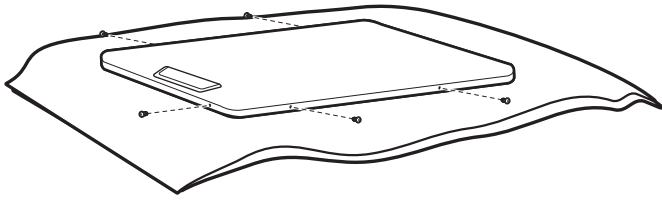
You can change your door swing from a right-side opening to left-side opening, if desired.

### Remove the Door Assembly

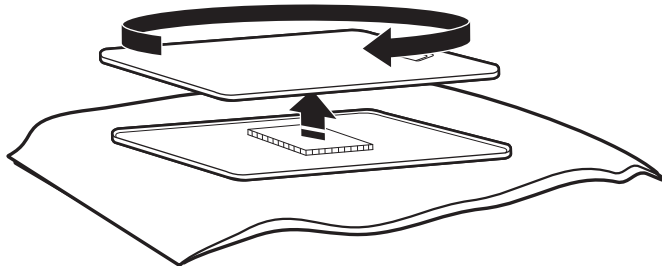
- Place a towel or soft cloth on top of work space to avoid scratching of the surface.
- Open dryer door. Remove button screws from cabinet side of hinges. Loosen (do not remove) top screws from cabinet side of hinges.



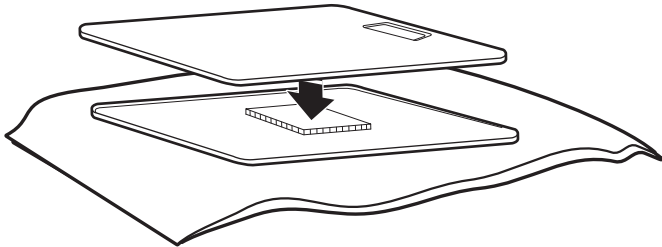
3. Lift door until top screws in cabinet are in large part of hinge slot. Pull forward off screws. Set door (handle side up) on top of towel. Remove top screws from cabinet.
4. Remove screws attaching hinges to door.
5. Remove screws at top, bottom, and side of door (five screws).



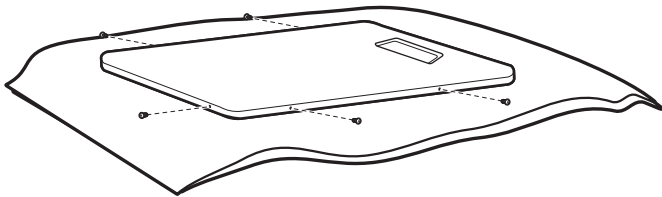
6. Holding door over towel, grasp sides of outer door and gently lift to separate it from inner door. Do not use a putty knife to pry apart. Do not pull on door seal or plastic door catch.



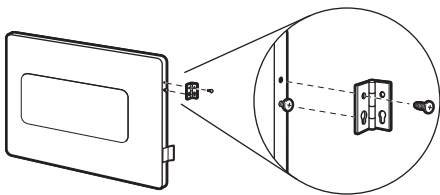
7. Be certain to keep cardboard spacer centered between doors. Reattach outer door panel to inner door panel so handle is on the side where hinges were just removed.



8. Reattach screws at top, bottom, and side of door (five screws).

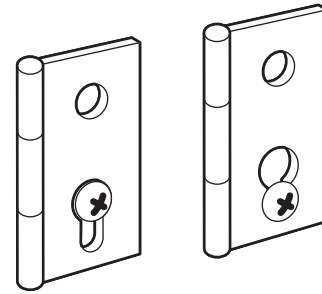


9. Attach door hinges to dryer door so that larger hole is at the bottom of the hinge and the hinge pin is toward the door front.



10. Remove the four screws that attach two plugs on the left side. Attach plugs to right side using the same four screws.

11. Insert screws into bottom holes on left side of cabinet. Tighten screws halfway. Position door so large end of door hinge slot is over screws. Slide door up so screws are in bottom of slots. Tighten screws. Insert and tighten top screws in hinges.



12. Close door and check that door strike aligns with door catch. If needed, slide door catch left or right within slot to adjust alignment.

## MAINTENANCE INSTRUCTIONS

- Clean lint screen before and after each cycle.
- Removing accumulated lint:  
From inside the dryer cabinet:  
Lint should be removed every two years or more often, depending on dryer usage. Cleaning should be done by a qualified person.  
From the exhaust vent:  
Lint should be removed every two years, or more often, depending on dryer usage.
- Keep area around dryer clear and free from combustible materials, gasoline, and other flammable vapors and liquids.
- Keep dryer area clear and free from items that would obstruct the flow of combustion and ventilation air.

### If dryer does not operate, check the following:

- Electrical supply is connected.
- Circuit breaker is not tripped or house fuse is not blown.
- Door is closed.
- Controls are set in a running or "on" position.
- Cycle has been selected.
- For gas dryers, check that gas supply shut-off valves are set in open position.

## IF YOU NEED ASSISTANCE

Contact your authorized Commercial Laundry distributor. To locate your authorized Commercial Laundry distributor, or for web inquiries, visit [www.whirlpoolcommerciallaundry.com](http://www.whirlpoolcommerciallaundry.com).

If you cannot locate your distributor, the Commercial Laundry Support Center will answer any questions about operating or maintaining your dryer not covered in the Installation Instructions.

Just dial **1-866-698-2538** — the call is toll free.

When you call, you will need the dryer model number and serial number. Both numbers can be found on the serial-rating plate located in the dryer door opening.

# ELECTRONIC CONTROL SETUP INSTRUCTIONS

## IMPORTANT

### Electrostatic Discharge (ESD) Sensitive Electronics

ESD problems are present everywhere. ESD may damage or weaken the electronic control assembly. The new control assembly may appear to work well after repair is finished, but failure may occur at a later date due to ESD stress.

- Use an anti-static wrist strap. Connect wrist strap to green ground connection point or unpainted metal in the appliance.
- OR-
- Touch your finger repeatedly to a green ground connection point or unpainted metal in the appliance.
- Before removing the part from its package, touch the anti-static bag to a green ground connection point or unpainted metal in the appliance.
  - Avoid touching electronic parts or terminal contacts; handle electronic control assembly by edges only.
  - When repackaging failed electronic control assembly in anti-static bag, observe above instructions.

## General User Information

**LOCATE KEY** – The key is located in the drum with this literature and foot caps.

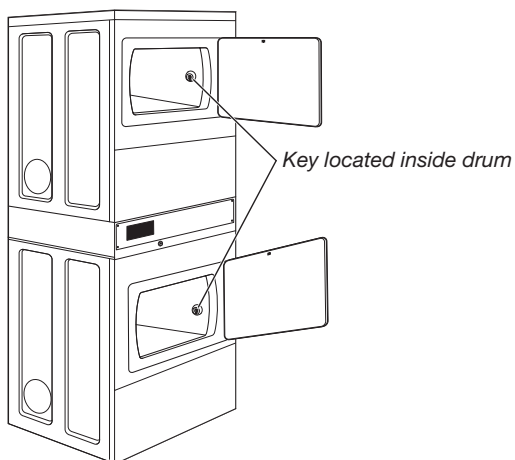
**DO NOT LOSE** this key - The key is used to enter service mode to allow you to set up machine for use. The machines come pre-configured from the factory:  
**COIN MODEL** (coin drop or free vend see note): These models are configured for 30 minutes dryer cycle time at a cost of \$1.50 per cycle as default from factory.  
 Mode 6 default is 06.  
 Mode 7 default is 05 from factory (maximum time is 75 minutes).

Price and Time is primarily set up through mode 6 & 7. Mode 6 is how many Coin or Debit Inputs (i.e. default = 6 = \$1.50) & Mode 7 is how much cycle time per Coin or Debit Inputs. Mode 7 defaults to 5 from factory (maximum time is 75 minutes).

Mode 6 and 7 gets multiplied to determine cycle time.  
 (6 X 5 = 30 minutes per cycle by default).

**NOTE:** If you set mode 6 to 00, this will be a free vend and the cycle time treats it as a 1 so if Mode 6 = 00 and Mode 7 = 45 the cycle time is 45 minutes and no cost.

**NON-COIN MODEL** (free or pay reader ready)  
 These models default to mode 6 = 00 and Mode 7 = 45 from factory (maximum time is 75 minutes). This is a free vend with a cycle time of 45 minutes.



**BLANK DISPLAY** – This condition indicates the appliance is inoperative. Check power to the machine. (**Note:** On electric models upper and lower dryers have separate power cords, check power to both dryers). If the machine has the correct power supply; enter Service Mode and check diagnostics codes.

**“0 MINUTES” SHOWING IN DISPLAY** – This indicates the previous cycle is complete or a machine reset was performed. Opening the door(s) will restore the display to the Vend Price or Available state.

**Factory Default Settings** – Dryer is programmed at the factory as follows:

5 minutes dry time/Coin or Debit Inputs (coin 1)

\$1.50 dry price (fixed cycle with top off – Coin Models)

\$0.00 dry price (fixed cycle – Non-Coin/Card-Ready Models)

**WARM START (after power failure)** – A few seconds after power is restored, if a cycle was in progress at the time of the power failure, “RESELECT CYCLE” will flash in the display, indicating a keypad needs to be pressed to restart dryer.

**PRICING** – After the door is opened and then closed following the completion of a cycle, the display indicates the cycle price (unless set for free operation). As coins are dropped or debit inputs arrive, the display will change to lead the user through the initiation of a cycle.

**There are four (4) types of dryer pricing:**

### Fixed “Vend” Pricing

A dryer set up for “Fixed Cycle” operation can only accept additional time accumulated by increments equal to the length of a complete dry cycle. A maximum number of minutes may be purchased; no additional credit is given for coins dropped when the maximum minutes are displayed.

### Accumulator Pricing

If the price is set to one coin 1, then accumulator pricing is in effect (Fixed Cycle with Top Off option must also be selected). Cycle time can be purchased one coin at a time up to the maximum time of 75 minutes. All money will be credited to a cycle with a single keypad press while in accumulator pricing.

### Fixed Cycle With Top Off Pricing

A dryer set to offer “Top Off” capability will allow time to be added to an existing dry cycle in increments equal to the number of minutes of dry time per Coin or Debit Inputs (coin 1), up to the maximum minutes, regardless of the cost required to start the dryer. No credit is given for coins or debit inputs entered when the control is displaying the maximum minutes.

Non-Coin/Card-Ready Models: In Enhanced Debit Mode, the top off price can be set independently. (See VALUE OF COIN 2), and the top off time is calculated according to the following equation:

$$\frac{\text{top off price}}{\text{full cycle price}} = \frac{\text{top off time}}{\text{full cycle length}}$$

Penny increment offset is not applied to top off purchases.

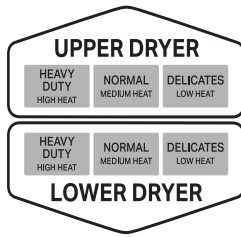
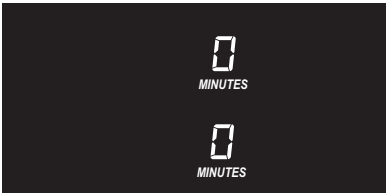
**FREE CYCLES** – This is established by setting the cycle price to zero. When this happens, “SELECT CYCLE” will appear rather than a cycle price. Any cycle started as a free cycle will automatically terminate when the door is opened.

**DEBIT CARD READY** – This dryer is debit card ready. It will accept a variety of debit card systems, but does NOT come with a debit card reader. Refer to the debit card reader manufacturer for proper dryer setup. In models converted to a Generation 1 debit card system, debit pulses represent the equivalent of one coin (coin 1).

### Display

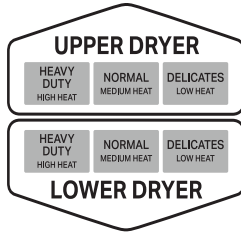
After the dryer has been installed and plugged in, the display will show “0 minutes.”

## Non-Coin/Card-Ready Models



Once the unit has been plugged in and the dryer door opened and closed, the display will show the price. In Non-Coin/Card-Ready models set for free cycles, the display will flash “SELECT CYCLE” (not shown).

## Coin Models



## Control Setup Procedures

**IMPORTANT:** Read all instructions before operating.

The fabric setting keypads along with the digital display are used to set up the dryer controls. The display can contain four numbers and/or letters and a decimal point. These are used to indicate the setup codes and related code values available for use in programming the appliance.

## How to Use the Keypads to Program the Controls

1. The HEAVY DUTY keypad is used to adjust the values associated with setup code. Pressing the keypad will change the value by increments of one (1). Rapid adjustment is possible by holding down the keypad.
2. The NORMAL keypad will advance through the setup codes. Pressing the keypad will advance to the next available setup code. Holding down the NORMAL keypad will automatically advance through the setup codes at a rate faster than one (1) per second.
3. The DELICATES keypad is used to select or deselect options.
  - Coin Models: Insert access panel key and turn counterclockwise.
  - Non-Coin/Card-Ready Models: If card reader installed, once the debit card reader is installed (according to the reader manufacturer’s instructions), the setup mode can be entered by inserting a manual setup card (supplied by the reader manufacturer) into the card slot. If no card reader install, insert access panel key and turn counterclockwise.

If manual setup card is not available, manual setup mode can be entered by turning the access panel key.

The dryer is now in the setup mode.

**NOTE:** This dryer is preset at the factory and does not require any programming. However, if you want to change the settings, follow the “Setup Codes” guide below.

- This dryer is pre-set at the factory for fixed cycle price with top off.

## Setup Codes

FOR NON-COIN/CARD-READY MODELS: The setup codes are the same as for the Coin models except where noted.

**NOTE:** Programming selections apply to both dryers. Stacked dryer selections are accessed by pressing the LOWER DRYER keypads, you can not program upper dryer differently than lower dryer and vice versa.

The setup code is indicated by the one or two left-hand characters. The setup code value is indicated by the two or three right-hand characters.

**NOTE:** Set-up codes marked with \* are able to transfer from one machine to another machine (must be same model type) via USB stick.

Code	Explanation
606	<b>REGULAR CYCLE AMOUNT TO START *</b> Mode 6 allows you to set up how many Coins or debit pulses you want customers to pay for cycle (i.e. if mode 6 set to 6 that means it will take 6 coins or debits or \$1.50 to start cycle).
606	Represents the amount of Coins or Gen 1 Debit Pulses required to start a Regular Cycle. See Value of Coin 1 setting. Coin Models Factory Default is 606 (Requires 6 Coins or Gen 1 Debit Pulses). Non-Coin Models Factory Default is 600 (Free Vend). Use HEAVY DUTY Keypad to adjust from 0 to 39. Use NORMAL Keypad to Advance to next code.
705	<b>REGULAR CYCLE DRY TIME *</b> Mode 7 is the amount of time per cycle in minutes. It uses the number of coins or debits from mode 6 and multiplies to number set in mode 7 to give cycle time (i.e. if mode 6 = 6 and mode 7 = 5, then the time per cycle is 6 X 5 or 30 minutes).
705	Represents the amount of Regular Cycle Minutes per Coin or Gen 1 Debit Pulses. Example - Regular Amount Start Setting = 606 and Regular Cycle Dry Time Setting = 705 then 6 X 5 = 30. Regular Cycle Time is 30 Minutes. Factory Default is 705 (5 Minutes per Coin/Debit Pulse). Adjustable from 01 to 75 using the HEAVY DUTY Keypad. Use NORMAL Keypad to advance to next code.
800	<b>TYPE OF DRYER PRICING *</b> Mode 8 allows you to set up an additional time for user to keep clothes in and continue cycle (i.e. if set to 00 then customer can get an additional cycle time for each coin or debit inserted). Additional time is based on Value of Mode 7. If mode 8 set to FC then no top off allowed.
800	Fixed Cycle with Top Off.
8FC	Fixed Cycle. Use DELICATES keypad to make this selection. NON-COIN/CARD-READY MODELS ONLY(PR): Factory preset for FC. COIN MODEL: Factory preset to 00. ■ Press the NORMAL keypad once to advance to next code.

Code	Explanation
9 00	<b>CYCLE COUNTER OPTION *</b> This option is either NOT SELECTED "OFF" or SELECTED "ON."
Mode 9 allows you to keep track of how many cycles your machine has done.	
<b>If cycle counter (9 0C) is selected, the following is true:</b>	
1 00	Cycles in HUNDREDS <span style="float:right">1 <u>02</u> = 200</span>
2 00	Cycles in ONES <span style="float:right">2 <u>25</u> = 25</span>
TOTAL CYCLES = 225	
This is "VIEW ONLY" and cannot be cleared. ■ Press the NORMAL keypad once to advance to next code.	
Mode 1.00 turns on how much money machine has collected if you would like to keep track of that.	
1. 00	<b>MONEY COUNTER OPTION *</b> This option is either NOT SELECTED "OFF" or SELECTED "ON."
1. 00	Not Selected "OFF"
1. 0C	Selected "ON." ■ Press the DELICATES keypad three consecutive times to select "ON" and three consecutive times to remove (Not Selected "OFF"). Counter resets by going from "ON" to "OFF"
1. C0	Selected "ON" and not able to be deselected. ■ To select "ON" and not able to be deselected, first select "ON," then within two seconds, press the DELICATES keypad twice, the HEAVY DUTY keypad once, and exit setup mode. ■ Press the NORMAL keypad once to advance to next code.
<b>If money counter (1.0C or 1.C0) is selected, the following is true:</b>	
3 00	Dollars in HUNDREDS <span style="float:right">3 <u>01</u> = \$100.00</span>
4 00	Dollars in ONES <span style="float:right">4 <u>68</u> = \$ 68.00</span>
5 00	Number of CENTS <span style="float:right">5 <u>75</u> = \$ 00.75</span>
TOTAL = \$168.75	
Mode 2.00 allows you to set special pricing for instance different cost and/or different cycle times at specific times of specific day.	
2.00	<b>SPECIAL PRICING OPTIONS</b> This option is either NOT SELECTED "OFF" or SELECTED "ON."
2. 00	Not Selected "OFF", and next available code will be A.00.
2. SP	Selected "ON." ■ Press the DELICATES keypad once to change this selection.
<b>If SPECIAL PRICING OPTION is selected, there is access to codes "3.XX" through "9.XX."</b>	
■ Press the NORMAL keypad once to advance to next code.	
<b>OPTIONS 3.XX – 9.XX TO USE IF SPECIAL PRICING IS SELECTED. If not in special pricing these options are ignored and defaults back to Mode 6 &amp; 7 times.</b>	

Code	Explanation
3.06	<b>SPECIAL CYCLE PRICE</b>
3.06	Represents the number of coins or debits to start the dryer; may adjust from 0–39. (See VALUE OF COIN 1 b.05.) Advance from 0–39 by pressing the HEAVY DUTY button. Factory default of 6 coins or debits = \$1.50. PR MODELS ONLY: Factory preset for 0 Coins or Gen 1 Debit Pulses. ■ Press the NORMAL keypad once to advance to next code.
4.05	<b>SPECIAL DRY TIME</b>
4.05	Represents the number of minutes per coin or debit (see value of Coin 1). ■ Factory default of 5 minutes per coin. Example: 6 coins or debits x 5 minutes = 30 minutes. ■ By pressing the HEAVY DUTY keypad, the value can be adjusted from 1 to the maximum minutes. ■ Press the NORMAL keypad once to advance to next code.
5.00	<b>TIME-OF-DAY CLOCK, MINUTES</b>
5.00	This is the TIME-OF-DAY CLOCK, minute setting; select 0-59 minutes by pressing the HEAVY DUTY keypad. ■ Press the NORMAL keypad once to advance to next code.
6.00	<b>TIME-OF-DAY CLOCK, HOURS</b> <b>NOTE:</b> Uses 24 hours clock.
6.00	This is the TIME-OF-DAY CLOCK, hour setting; select 0-23 hours by pressing the HEAVY DUTY keypad. ■ Press the NORMAL keypad once to advance to next code.
7. 00	<b>SPECIAL PRICE START HOUR</b> <b>NOTE:</b> Uses 24 hours clock.
7. 00	This is the start hour; 0–23 hours. ■ Select START HOUR by pressing the HEAVY DUTY keypad. ■ Press the NORMAL keypad once to advance to next code.
8. 00	<b>SPECIAL PRICE STOP HOUR</b> <b>NOTE:</b> Uses 24 hour clock.
8. 00	This is the stop hour; 0–23 hours. ■ Select STOP HOUR by pressing the HEAVY DUTY keypad. ■ Press the NORMAL keypad once to advance to next code.
9. 10	<b>SPECIAL PRICE DAY</b>
9. 10	This represents the day of the week and whether special pricing is selected for that day. A number followed by "0" indicates no selection that particular day (9.10). A number followed by an "S" indicates selected for that day (9.1S). Days of the week (1–7) are selected by pressing the HEAVY DUTY keypad. Press the DELICATES keypad once to select special pricing for each day chosen.

Code	Explanation																								
When exiting setup code "9," the display must show the current day of week:																									
	<table border="1"> <thead> <tr> <th>DISPLAY</th> <th>DAY OF WEEK</th> <th>CODE (selected)</th> </tr> </thead> <tbody> <tr> <td>10</td> <td>Day 1 = Sunday</td> <td>1S</td> </tr> <tr> <td>20</td> <td>Day 2 = Monday</td> <td>2S</td> </tr> <tr> <td>30</td> <td>Day 3 = Tuesday</td> <td>3S</td> </tr> <tr> <td>40</td> <td>Day 4 = Wednesday</td> <td>4S</td> </tr> <tr> <td>50</td> <td>Day 5 = Thursday</td> <td>5S</td> </tr> <tr> <td>60</td> <td>Day 6 = Friday</td> <td>6S</td> </tr> <tr> <td>70</td> <td>Day 7 = Saturday</td> <td>7S</td> </tr> </tbody> </table>	DISPLAY	DAY OF WEEK	CODE (selected)	10	Day 1 = Sunday	1S	20	Day 2 = Monday	2S	30	Day 3 = Tuesday	3S	40	Day 4 = Wednesday	4S	50	Day 5 = Thursday	5S	60	Day 6 = Friday	6S	70	Day 7 = Saturday	7S
DISPLAY	DAY OF WEEK	CODE (selected)																							
10	Day 1 = Sunday	1S																							
20	Day 2 = Monday	2S																							
30	Day 3 = Tuesday	3S																							
40	Day 4 = Wednesday	4S																							
50	Day 5 = Thursday	5S																							
60	Day 6 = Friday	6S																							
70	Day 7 = Saturday	7S																							
■ Press the NORMAL keypad once to advance to next code.																									
A. 00	<b>VAULT VIEWING OPTION *</b> This option is either NOT SELECTED "OFF" or SELECTED "ON."																								
A. 00 in Mode A if it is set to SC, you can view money and/or cycle counts when the coin holder box is removed. Not Selected "OFF"																									
A. SC	Selected "ON." ■ Press the DELICATES keypad once to change this selection. When selected, the money and/or cycle counts will be viewable (if counter option(s) is selected) when the coin box is removed. ■ Press the NORMAL keypad once to advance to next code.																								
b. 05	<b>VALUE OF COIN 1 *</b>																								
This represents the value of Coin 1 in number of \$0.05 increments of the larger coin value. $5 \times \$0.05 = \$0.25$ .																									
b. 05	■ By pressing the HEAVY DUTY key pad, there is the option of 1–199 for the quantity of \$0.05 increments. ■ Press the NORMAL keypad once to advance to next code.																								
C. 20	<b>VALUE OF COIN 2 *</b>																								
This represents the value of coin 2 in the number of \$0.05 increments of the larger coin value. $20 \times \$0.05 = \$1.00$ .																									
C. 20	<b>PR MODELS:</b> Factory default of \$0.25. For models using Enhanced Debit, this field represents the value of top off in \$0.05 increments. ■ By pressing the HEAVY DUTY key pad, there is the option of 1–199 for the quantity of \$0.05 increments. ■ Press the NORMAL keypad once to advance to next code.																								
E. 00	<b>ADD COINS OPTION *</b> This option is either NOT SELECTED "OFF" or SELECTED "ON." This option causes the customer display to show the number of coins (coin 1) to enter, rather than the dollars-and-cents amount. The number in the display changes as the coins are accepted.																								
Mode E allows you to change display to show how many coins left to add to start cycle or the price to add for the cycle.																									

Code	Explanation
E. 00	Not Selected "OFF"
E. AC	Selected "ON." ■ Press the DELICATES keypad three consecutive times to change this selection. NON-COIN/CARD-READY MODELS ONLY: In enhanced debit mode, this option is not selectable. ■ Press the NORMAL keypad once to advance to next code.
J. Cd	<b>PAYMENT MODE (COIN/DEBIT OPTION) *</b>
Mode J is the mode that the control is in, a PD model = JCd(default) and a PR model = _d (default) for debit.	
J. Cd	Both coin and debit selected. Press the DELICATES keypad three consecutive times to change this selection.
J. C_	Coins selected, debit disabled. Press the DELICATES keypad three consecutive times to change this selection.
J._d	Debit Card selected, coins disabled. Press the DELICATES keypad three consecutive times to change this selection.
J. Ed	Enhanced Debit is self-selected when a Generation 2 card reader is installed in the dryer. The Ed option cannot be manually selected or deselected. ■ Press the NORMAL keypad once to advance to next code.
L. 00	<b>PRICE SUPPRESSION OPTION *</b> This option is either NOT SELECTED "OFF" or SELECTED "ON."
Mode L allows you to have control display ADD if more money needed to start cycle or Available after payment completed if L = PS. (it still displays card balance amount if applicable).	
L. 00	Not Selected "OFF"
L. PS	Selected "ON." ■ Press the DELICATES keypad once to change this selection. ■ Press the NORMAL keypad once to advance to next code.
Mode n allows you to clear escrow in 30 minutes meaning machine will not maintain escrow longer than 30 minutes when set to CE.	
n. CE	<b>CLEAR ESCROW OPTION *</b> This option is either NOT SELECTED "OFF" or SELECTED "ON." When selected, money held in escrow for 30 minutes without further escrow or cycle activity will be cleared.
n. 00	Not Selected "OFF"
n. CE	Selected "ON." ■ Press the DELICATES keypad once to change this selection. ■ Press the NORMAL keypad once to advance to next code.

## CONTROLS SET-UP THROUGH USB

To access the USB setup menu, navigate to set-up code 2.xx (special pricing option). Pressing HEAVY DUTY keypad activates the help mode sub-menu. The first sub-mode within the help mode is USB option. Press HEAVY DUTY keypad at any time to exit help mode.

Submode	Description	Note
USB	While on this screen, press the HEAVY DUTY keypad to enter into USB menu. USB menu allows for software update and import/export machine settings.	Allows user to enter USB menu. See USB MENU section for more info.

## USB MENU

To access USB menu enter into Help Mode. While on the USB screen press the HEAVY DUTY keypad. To advance through the USB sub menu, use the NORMAL keypad. The DELICATES keypad is the Select key. Press the HEAVY DUTY keypad at any time to exit USB Menu.

In order to complete any of the USB functions, both dryers must not be running a cycle, a payment must not be in process, and both dryer doors should be opened.

See Page 25 for location of the USB Port on the appliance and instructions for how to install a USB Stick onto the appliance and to remove a USB stick from the appliance.

Code	Explanation
U0.00	USB drive Inserted? (Status only).
U0.00	This will be displayed if USB drive is NOT detected.
U0.01	This will be displayed if USB drive IS detected.
Press the NORMAL keypad once to advance to next code.	
U1.00	Programming Mode.
U1.00	This will be displayed if USB drive not detected.
U1.01	This will be displayed if USB drive is detected. If you wish to reprogram the controls Press the DELICATES key 3 times. Display will toggle between U1.01 and ProG and then --.-- while programming in process. Please wait until process is complete, this could take several minutes. After software is successfully downloaded to machine, the control could take several minutes to reset. After reset is complete the machine will return to customer mode or service mode depending on Service Switch status.
donE	Display will toggle between U1.01 and donE when programming finished successfully for 5 seconds. Display will then return to main Service Menu.
FCE4 or FCE5	If the software programming was unsuccessful the display will toggle between U1.01 and FCE4 or FCE5 for 5 seconds. Display will then return to main Service Menu.
Press the NORMAL keypad once to advance to next code.	
U2.00	Export Machine Settings to USB Drive.
U2.00	This will be displayed if USB drive is not detected.
U2.01	This will be displayed if USB drive is detected. If you wish to export machine settings to USB drive press the DELICATES key 3 times. Display will toggle between U2.01 and ProG and then --.-- while export in process.
donE	Display will toggle between U2.01 and donE when export finished successfully for 5 seconds. Display will then return to main Service Menu.

Code	Explanation
FCE4 or FCE5	If the export was unsuccessful the display will toggle between U2.01 and FCE4 or FCE5 for 5 seconds. Display will then return to main Service Menu.
Press the NORMAL keypad once to advance to next code.	
U3.00	Import Machine Settings from USB Drive.
U3.00	This will be displayed if USB drive is not detected.
U3.01	This will be displayed if USB drive is detected. If you wish to import machine settings from USB drive to machine press the DELICATES keypad 3 times. Display will toggle between U3.01 and ProG and then --.-- while import in process.
donE	Display will toggle between U3.01 and donE when import finished successfully for 5 seconds. Display will then return to main Service Menu.
FCE4 or FCE5	If the import was unsuccessful the display will toggle between U3.01 and FCE4 or FCE5 for 5 seconds. Display will then return to main Service Menu.
Press the NORMAL keypad once to advance to next code.	
U4.00	Export Machine Audit Data to USB Drive.
U4.00	This will be displayed if USB drive is not detected.
U4.01	This will be displayed if USB drive is detected. If you wish to export machine audit data to USB drive press the DELICATES key 3 times. Display will toggle between U4.01 and ProG, then U2.01 and ProG and then --.-- while export in process.
donE	Display will toggle between U4.01 and donE when export finished successfully for 5 seconds. Display will then return to main Service Menu.
FCE4 or FCE5	If the export was unsuccessful the display will toggle between U4.01 and FCE4 or FCE5 for 5 seconds. Display will then return to main Service Menu.
Press the NORMAL keypad once to advance to next code.	

## END of SETUP PROCEDURES

### EXIT FROM SETUP MODE


Turn access panel key back to original position.



# ACCESS TO USB PORT

If using USB Stick to change Electronic Controls Settings

## ⚠ WARNING



**Electrical Shock Hazard**

**Disconnect power before servicing.**

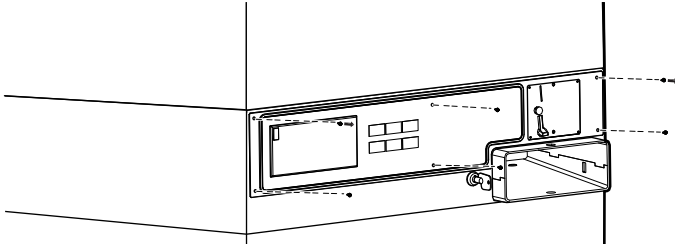
**Replace all parts and panels before operating.**

**Failure to do so can result in death or electrical shock.**

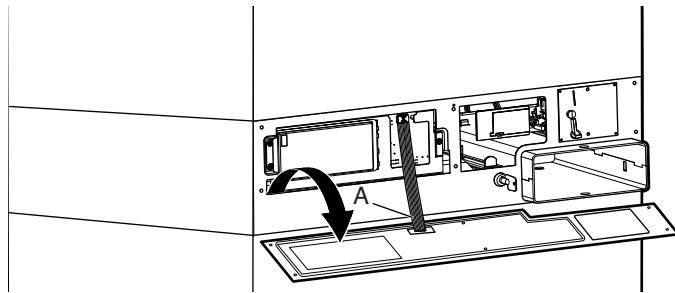
### To Install or Remove USB Stick

USB Port is located on the Display Control Board.

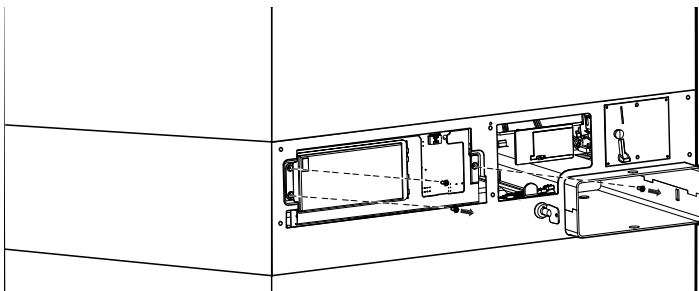
1. Remove six screws to allow the Fascia Panel to pull and rotate outward from collar assembly. Do not discard fascia panel screws.



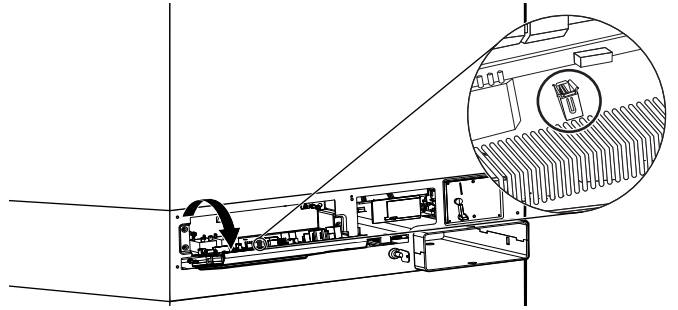
2. Remove six screws to allow the Fascia Panel to pull and rotate outward from collar assembly. Do not discard fascia panel screws.



3. Remove three screws from Bracket to allow Display Control Board and Bracket Assembly to rotate outward from Collar Assembly. Do not discard screws.




4. Rotate Display Control Board and Bracket Assembly outward to provide access to User Interface Control Board.



5. Install USB Stick into USB Port or remove the USB Stick from USB Port.
6. Replace Display Control Board and Bracket Assembly with three screws previously removed.
7. Replace Fascia Panel with six screws previously removed.

## ⚠ WARNING



**Electrical Shock Hazard**

**Plug into a grounded 3 prong outlet.**

**Do not remove ground prong.**

**Do not use an adapter.**

**Do not use an extension cord.**

**Failure to follow these instructions can result in death, fire, or electrical shock.**

8. Reconnect power.

# SÉCURITÉ DE LA SÈCHEUSE

## Votre sécurité et celle des autres est très importante.

Nous donnons de nombreux messages de sécurité importants dans ce manuel et sur votre appareil ménager. Assurez-vous de toujours lire tous les messages de sécurité et de vous y conformer.



Voici le symbole d'alerte de sécurité.

Ce symbole d'alerte de sécurité vous signale les dangers potentiels de décès et de blessures graves à vous et à d'autres.

Tous les messages de sécurité suivront le symbole d'alerte de sécurité et le mot "DANGER" ou "AVERTISSEMENT". Ces mots signifient :

**⚠ DANGER**

**Risque possible de décès ou de blessure grave si vous ne suivez pas immédiatement les instructions.**

**⚠ AVERTISSEMENT**

**Risque possible de décès ou de blessure grave si vous ne suivez pas les instructions.**

Tous les messages de sécurité vous diront quel est le danger potentiel et vous disent comment réduire le risque de blessure et ce qui peut se produire en cas de non-respect des instructions.



## **AVERTISSEMENT - "Risque d'incendie"**

- L'installation de la sècheuse à linge doit être effectuée par un installateur qualifié.
- Installer la sècheuse conformément aux instructions du fabricant et aux codes locaux.
- Ne pas installer de sècheuse à linge avec des matériaux d'évacuation en plastique souple ou un conduit métallique souple (de type papier d'aluminium). Si un conduit métallique souple est installé, celui-ci doit être d'un type spécifique identifié par le fabricant de l'appareil et convenir à une utilisation avec les sècheuses à linge. Les matériaux d'évacuation souples sont connus pour s'affaisser, être facilement écrasés et bloquer la charpie. Ces situations obstrueront le débit d'air de la sècheuse à linge et augmenteront le risque d'incendie.
- Pour réduire le risque de blessure grave ou de décès, suivre toutes les instructions d'installation.
- Conserver ces instructions.

- On recommande que le propriétaire place les instructions à l'usage du client en un lieu bien visible, au cas où le client percevrait une odeur de gaz. Ces renseignements doivent être obtenus auprès de votre fournisseur en gaz.
- Placer l'avertissement qui suit à un endroit bien visible.

### POUR VOTRE SÉCURITÉ

Ne rangez et n'utilisez pas d'essence ou d'autres vapeurs ou liquides inflammables à proximité de cet appareil ou de tout autre appareil.

### IMPORTANTES INSTRUCTIONS DE SÉCURITÉ

Avant de jeter ou de ranger votre vieille sècheuse, enlever la porte.

**CONSERVEZ CES INSTRUCTIONS**

# SÉCURITÉ DE LA SÈCHEUSE

## AVERTISSEMENT :

### RISQUE D'INCENDIE OU D'EXPLOSION

Le non-respect des avertissements de sécurité peut causer des dommages à la propriété, des blessures graves, voire la mort.

- Ne pas entreposer ou utiliser de l'essence ou d'autres vapeurs ou liquides inflammables à proximité de cet appareil ou de tout autre appareil électroménager.
- **QUE FAIRE DANS LE CAS D'UNE ODEUR DE GAZ :**
  - Ne pas tenter d'allumer un appareil.
  - Ne pas toucher à un commutateur électrique; ne pas utiliser le téléphone se trouvant sur les lieux.
  - Évacuer tous les gens de la pièce, de l'édifice ou du quartier.
  - Appeler immédiatement le fournisseur de gaz d'un téléphone voisin. Suivre ses instructions.
  - À défaut de joindre votre fournisseur de gaz, appeler les pompiers.
- L'installation et l'entretien doivent être effectués par un installateur qualifié, une agence de service ou le fournisseur de gaz.

**AVERTISSEMENT :** L'odorat ne permet pas toujours la détection d'une fuite de gaz.

Les distributeurs de gaz recommandent l'emploi d'un détecteur de gaz (homologation UL ou CSA).

Pour d'autre information, contacter le fournisseur de gaz local.

En cas de détection d'une fuite de gaz, exécuter les instructions "Que faire dans le cas d'une odeur de gaz".

Dans l'État du Massachusetts, les instructions d'installation suivantes sont applicables :

- Les travaux d'installation et réparation doivent être exécutés par un plombier ou tuyauteur qualifié ou licencié, ou par le personnel qualifié d'une entreprise licenciée par l'État du Massachusetts.
- Remplacer par des dispositifs de fermeture acceptables : Les robinets de gaz et robinets à bille installés pour l'utilisation devraient être indiqués.
- Si un conduit de raccordement flexible est utilisé, sa longueur ne doit pas dépasser 4 pi (121,9 cm).

**IMPORTANT :** L'installation au gaz doit être conforme aux codes locaux, ou en l'absence de codes locaux, au Code National d'alimentation au gaz, à la norme ANSI Z223.1/NFPA 54 ou au Code des installations au gaz naturel et au propane, CSA-B149.1.

La sècheuse doit être correctement reliée à la terre en conformité avec les codes locaux en vigueur, ou en l'absence de tels codes, avec le National Electrical Code, ANSI/NFPA 70 ou le Code canadien des installations électriques, CSA C22.1 partie 1.

## AVERTISSEMENT

### Risque d'incendie

Le non-respect de cet avertissement peut causer des blessures graves, des dommages à la propriété ou le décès.

**Ne pas installer de ventilateur d'appoint dans le conduit d'évacuation.**

**Installer toutes les sècheuses en respectant les instructions d'installation du fabricant de la sècheuse.**

# SÉCURITÉ DE LA SÈCHEUSE

## IMPORTANTES INSTRUCTIONS DE SÉCURITÉ

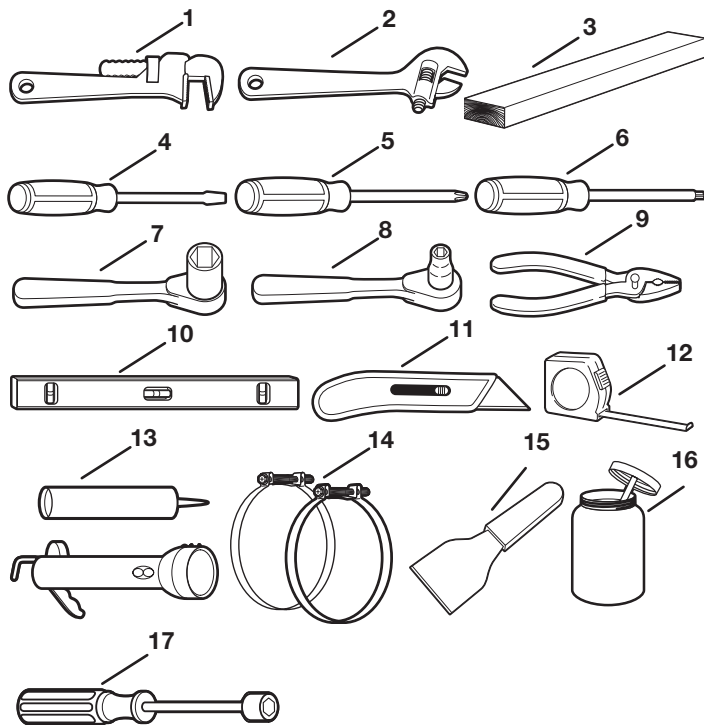
**AVERTISSEMENT :** Afin de réduire le risque d'incendie, de décharge électrique ou de blessures lors de l'utilisation de la sècheuse, il convient d'observer certaines précautions fondamentales, notamment :

- Lire toutes les instructions avant d'utiliser la sècheuse.
- Cette sècheuse est conçue uniquement pour le séchage de vêtements et de textiles ayant été nettoyés à l'eau. Ne pas l'utiliser à toute autre fin.
- **AVERTISSEMENT :** Si l'on détecte une odeur de gaz, ne pas utiliser la sècheuse ou tout autre équipement électrique situé à proximité. Avertir les autres personnes qu'elles doivent évacuer cette zone. Contacter le propriétaire de la sècheuse immédiatement.
- Ne pas placer d'articles tachés d'huile de cuisson dans la sècheuse. Les articles couverts d'huile de cuisson peuvent provoquer une réaction chimique et enflammer la charge de vêtements.
- Pour réduire le risque d'incendie dû à des charges contaminées, la partie finale du programme de séchage par culbutage a lieu sans chaleur (période de refroidissement). Éviter d'arrêter une sècheuse en phase de culbutage avant la fin du programme de séchage, à moins de retirer et d'étendre rapidement tous les articles afin que la chaleur se dissipe.
- Ne pas sécher d'articles qui ont été précédemment nettoyés, lavés, trempés ou tachés avec de l'essence, des solvants pour nettoyage à sec ou d'autres substances inflammables ou explosives; ces substances dégagent des vapeurs qui pourraient s'enflammer ou exploser.
- Ne pas faire sécher d'articles non lavés dans cette sècheuse.
- Risque de suffocation et de blessure par coincement : Ne pas laisser des enfants jouer sur l'appareil ou à l'intérieur de celui-ci. Une surveillance étroite des enfants est nécessaire lorsque l'appareil est utilisé à proximité d'enfants.
- Avant de retirer la sècheuse du service ou pour la mettre au rebut, enlever la porte.
- Ne pas accéder à l'intérieur de la sècheuse pendant le fonctionnement du tambour.
- Ne pas ouvrir la porte pendant que la sècheuse fonctionne. Celle-ci s'arrêtera.
- Ne pas installer ou remiser la sècheuse dans un endroit où elle sera exposée à l'eau ou aux intempéries.
- Ne pas effectuer d'intervention non autorisée sur les commandes.
- Ne pas utiliser de pièces de remplacement qui n'ont pas été recommandées par le fabricant (c.-à-d., des pièces fabriquées à la maison à l'aide d'une imprimante 3D).
- Nettoyer le filtre à charpie de la sècheuse avant ou après chaque charge.
- Ne pas utiliser cette sècheuse si le filtre à peluches n'est pas installé.
- Ne pas réparer ou remplacer une quelconque pièce de la sècheuse ou effectuer tout entretien qui ne serait pas expressément recommandé dans le guide d'utilisation et d'entretien ou dans des instructions de réparation par l'utilisateur et s'assurer de bien comprendre ces instructions et d'être capable de les exécuter.
- Ne pas utiliser d'assouplissant ou de produits pour éliminer l'électricité statique à moins que cela ne soit recommandé par le fabricant de l'assouplissant ou du produit.
- Ne pas sécher à la chaleur des articles contenant du caoutchouc mousse ou des matières similaires.
- La partie finale du programme de séchage par culbutage a lieu sans chaleur (programme de refroidissement) pour que les articles soient laissés à une température qui ne risque pas de les endommager.
- **AVERTISSEMENT :** Ne jamais arrêter une sècheuse en phase de culbutage avant la fin du programme de séchage, à moins de retirer et d'étendre rapidement tous les articles afin que la chaleur se dissipe. (Évitez les risques de combustion spontanée.)
- La zone située autour de l'ouverture d'évacuation et les zones adjacentes doivent être propres, exemptes de peluches et poussières.
- L'intérieur de la sècheuse et son conduit d'évacuation doivent être nettoyés régulièrement par un personnel d'entretien qualifié.
- Voir la section « Spécifications électriques » pour les instructions de mise à la terre.
- Ne pas installer de ventilateur secondaire dans le conduit d'évacuation.
- **REMARQUE :** L'avertissement de ventilateur secondaire ne s'applique pas aux sècheuses conçues pour être installées dans un système où il y a plusieurs sècheuses, avec un système de conduit d'évacuation conçu sur mesure et installé selon les directives du fabricant de la sècheuse.

**CONSERVER CES INSTRUCTIONS**

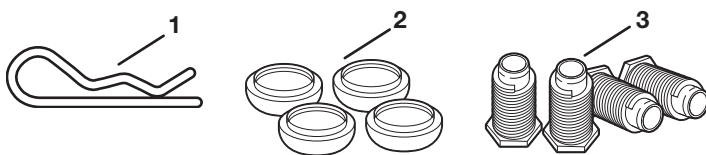
# OUTILS ET PIÈCES

## Outils requis :



1. Clé à tuyau de 8 po (200 mm) ou 10 po (250 mm)
2. Clé à molette de 8 po (200 mm) ou 10 po (250 mm) (ouverture jusqu'à 1 po [25 mm])
3. Cale de bois de 27 po (686 mm)
4. Tournevis à tête plate
5. Tournevis à tête cruciforme
6. Tournevis ou embout de sécurité TORX® T20®†
7. Clé à douille hexagonale de 1 po (25 mm)
8. Clé à douille de 5/16 po (8 mm)
9. Pince – ouverture jusqu'à 1 9/16 po (39 mm)
10. Niveau
11. Couteau utilitaire
12. Règle ou mètre ruban
13. Pistolet à calfeutrage et composé de calfeutrage (pour l'installation d'un nouveau conduit d'évacuation)
14. Brides de conduit
15. Couteau à mastic
16. Composé d'étanchéité des tuyauteries résistant au type de gaz utilisé
17. Tourne-écrou de 1/4 po (6 mm)

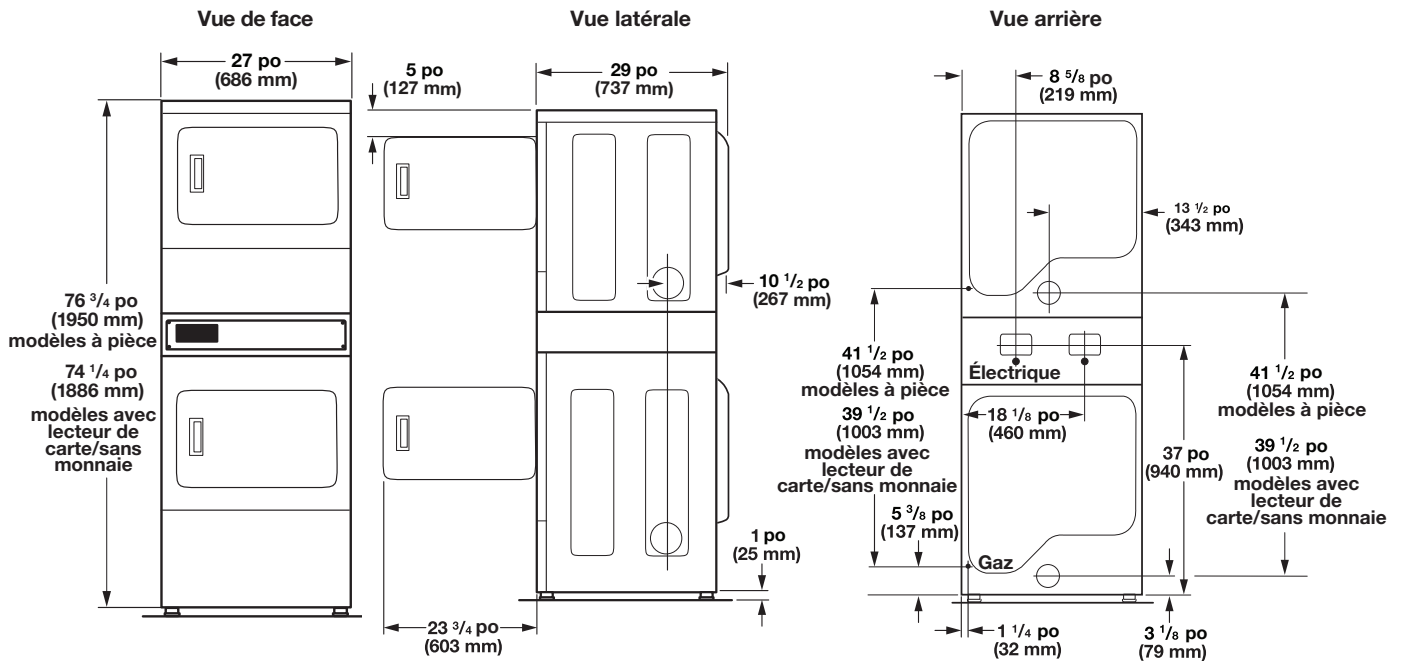
## Pièces fournies :



1. Goupilles bêta de sécurité (2) (situées dans le sac à l'intérieur du tambour)
2. Patins (4) (situées dans le sac à l'intérieur du tambour)
3. Pieds (4) pour le nivellement

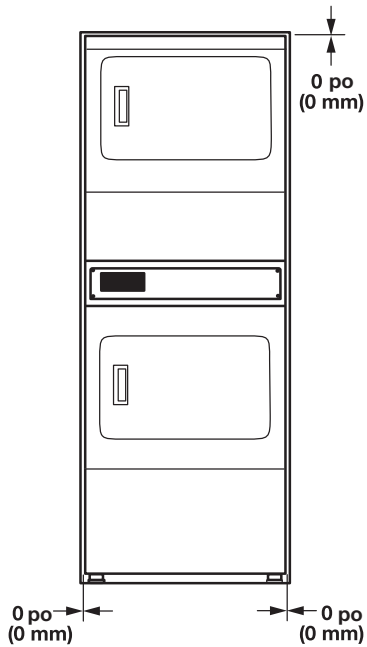
# DIMENSIONS/DISTANCES DE DÉGAGEMENT

Dimension :

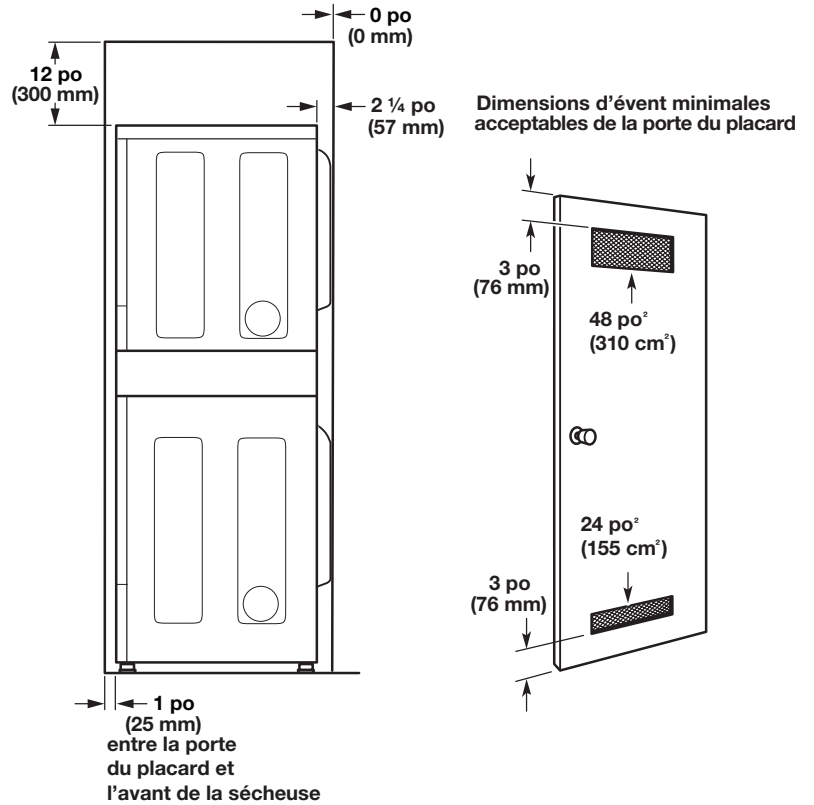


Dégagements minimums :

Vue d'avant, encastrement



Vue latérale, encastrement dans une armoire



## EXIGENCES D'EMPLACEMENT

### **⚠ AVERTISSEMENT**



#### Risque d'explosion

**Garder les matières et les vapeurs inflammables, telles que l'essence, à l'écart de la sècheuse.**

**Ne pas installer dans un garage.**

**Le non-respect de ces instructions peut causer un décès, une explosion ou un incendie.**

La sècheuse peut être installée dans un sous-sol, une salle de buanderie ou un encastrement.

La sècheuse telle que reçue n'est pas conçue pour une maison préfabriquée/mobile. Un ensemble d'adaptateur comme indiqué dans ces instructions d'installation est requis pour utiliser la sècheuse dans une maison préfabriquée/mobile.

Il faut aussi prendre en compte les exigences d'emplacement des appareils voisins.

**IMPORTANT :** Ne pas installer ou remiser la sècheuse dans un endroit où elle sera exposée à l'eau ou aux intempéries. C'est à l'utilisateur qu'incombe la responsabilité de réaliser une installation correcte.

#### **Il vous faudra :**

- Une prise électrique reliée à la terre située à moins de 6 pi (1,8 m) de la fiche du cordon électrique se trouvant à l'arrière de la sècheuse. Consulter les « Spécifications électriques ».
- Un plancher de niveau ayant une pente maximale de 1 po (25 mm) sous l'ensemble de la sècheuse. L'installation de la sècheuse sur une surface molle, comme un tapis ou un plancher avec sous-couche en mousse, n'est pas recommandée.

#### **Distances de dégagement pour l'installation de la sècheuse**

- L'emplacement doit être assez grand pour permettre d'ouvrir complètement la porte de la sècheuse.
- Prévoir davantage d'espace pour faciliter l'installation et l'entretien. La porte ouvre de plus de 180°.
- Un espace supplémentaire peut être requis pour les moulures de porte et de plancher et pour les plinthes.
- Un espace supplémentaire de 1 po (25 mm) de tous les côtés de la sècheuse est recommandé pour réduire le transfert du bruit.
- L'arrière de la sècheuse doit être placé contre le mur. Consulter les dimensions/dégagements d'installation minimum dans les schémas.

#### **Lors de l'installation d'une sècheuse à gaz :**

**IMPORTANT :** Observer les dispositions de tous les codes et règlements en vigueur.

- Vérifier les exigences des codes : Certains codes limitent ou n'autorisent pas l'installation d'une sècheuse dans un garage, une armoire ou une chambre à coucher. Contacter l'inspecteur en bâtiments local.
- S'assurer que les rebords inférieurs de l'armoire, ainsi que l'arrière et le côté inférieur de la sècheuse, sont bien dégagés pour permettre une évacuation adéquate de l'air de combustion. Voir la section « Instructions d'installation dans un encastrement » ci-dessous pour connaître les distances de dégagement minimales.

#### **Instructions d'installation dans un encastrement**

Cette sècheuse peut être installée dans un encastrement. Pour les installations dans un encastrement, les distances de dégagement minimales sont indiquées sur l'étiquette d'avertissement à l'arrière de la sècheuse ou à la section « Dimensions/Distances de dégagement ».

Les dimensions d'installation sont en pouces et constituent le minimum applicable. Un espace supplémentaire peut être nécessaire pour faciliter l'installation, l'entretien et pour observer les codes et règlements locaux.

La sècheuse doit évacuer à l'extérieur.

Aucun autre appareil consommant un combustible ne doit être installé dans la même armoire que la sècheuse.

# SPÉCIFICATIONS ÉLECTRIQUES DE LA SÈCHEUSE À GAZ

## **⚠ AVERTISSEMENT**



### **Risque de choc électrique**

**Brancher sur une prise à 3 alvéoles reliée à la terre.**

**Ne pas enlever la broche de liaison à la terre.**

**Ne pas utiliser un adaptateur.**

**Ne pas utiliser un câble de rallonge.**

**Le non-respect de ces instructions peut causer un décès, un incendie ou un choc électrique.**

**IMPORTANT :** La sècheuse doit être correctement reliée à la terre en conformité avec les codes et règlements locaux en vigueur, ou en l'absence de tels codes, avec le National Electrical Code, ANSI/NFPA 70 – dernière édition, ou le Code canadien des installations électriques, CSA C22.1. Si on utilise un conducteur distinct de mise à la terre lorsque les codes le permettent, il est recommandé qu'un électricien qualifié vérifie que la mise à la terre est adéquate.

Pour obtenir un exemplaire des normes des codes ci-dessus, contacter :

National Fire Protection Association  
One Batterymarch Park, Quincy, MA 02269

CSA International  
8501 East Pleasant Valley Road  
Cleveland, Ohio 44131-5575

- Ne pas utiliser une tuyauterie de gaz pour le raccordement à la terre.
- Ne pas installer un fusible dans le conducteur neutre ou le circuit de mise à la terre.
- L'appareil doit être alimenté par un circuit de 120 V CA à 60 Hz seulement et protégé par fusible de 15 A. On recommande également d'utiliser un fusible ou un disjoncteur temporisé. Il est recommandé de raccorder l'appareil sur un circuit distinct exclusif à cet appareil.
- Si les codes le permettent et si on utilise un conducteur distinct de liaison à la terre, il est recommandé qu'un électricien qualifié vérifie la qualité de la liaison à la terre.
- En cas de doute quant à la qualité de la liaison à la terre de la sècheuse, consulter un électricien qualifié.

## Mise à la terre de la sècheuse à gaz

### **INSTRUCTIONS DE LIAISON À LA TERRE**

- Pour une sècheuse reliée à la terre et connectée par un cordon :

Cette sècheuse doit être reliée à la terre. En cas de mauvais fonctionnement ou de panne, la liaison à la terre réduira le risque de choc électrique en offrant au courant électrique un acheminement d'évacuation de moindre résistance. Cette sècheuse est alimentée par un cordon électrique comportant un conducteur relié à la terre et une fiche de branchement munie d'une broche de liaison à la terre. La fiche doit être branchée sur une prise appropriée qui est bien installée et reliée à la terre conformément à tous les codes et règlements locaux.

- Pour une sècheuse raccordée en permanence :

Cette sècheuse doit être raccordée à un système de câblage permanent en métal relié à la terre ou un conducteur relié à la terre doit être en fonction avec les conducteurs de circuit et raccordé à la borne de liaison à la terre ou la borne sur la sècheuse.

**AVERTISSEMENT :** Le raccordement incorrect de cet appareil au conducteur de liaison à la terre peut susciter un risque de choc électrique. En cas de doute quant à la qualité de liaison à la terre de la sècheuse, consulter un électricien ou un technicien ou un personnel qualifié. Ne pas modifier la fiche de branchement fournie avec la sècheuse; si la fiche ne correspond pas à la configuration de la prise de courant, demander à un électricien qualifié d'installer une prise de courant appropriée.

### **CONSERVEZ CES INSTRUCTIONS**

## **EXIGENCES CONCERNANT L'ALIMENTATION EN GAZ**

### **Alimentation en gaz**

## **⚠ AVERTISSEMENT**



### **Risque d'explosion**

**Utiliser une canalisation neuve d'arrivée de gaz approuvée par CSA International.**

**Installer un robinet d'arrêt.**

**Bien serrer chaque organe de connexion de la canalisation de gaz.**

**En cas de connexion au gaz propane, demander à une personne qualifiée de s'assurer que la pression de gaz ne dépasse pas 330 mm (13 po) de la colonne d'eau.**

**Par personne qualifiée, on comprend :**

**le personnel autorisé de chauffage,  
le personnel autorisé d'une compagnie de gaz, et  
le personnel d'entretien autorisé.**

**Le non-respect de ces instructions peut causer un décès, un explosion ou un incendie.**



**IMPORTANT :** Observer les dispositions de tous les codes et règlements en vigueur.

Cette installation doit être effectuée conformément avec les codes et règlements locaux. En l'absence de code local, l'installation doit satisfaire aux prescriptions de la norme American National Standard, National Fuel Gas Code ANSI Z223.1/NFPA 54 ou CAN/CSA B149.

Pour obtenir un exemplaire des normes des codes ci-dessus, contacter :

National Fire Protection Association  
One Batterymarch Park, Quincy, MA 02269

CSA International  
8501 East Pleasant Valley Road  
Cleveland, Ohio 44131-5575

La conception de cette sécheuse a été homologuée par CSA International pour une utilisation jusqu'à une altitude de 10 000 pi (3 048 m) au-dessus du niveau de la mer pour le débit thermique indiqué sur la plaque signalétique. Aucun réglage du brûleur n'est nécessaire lorsque la sécheuse est utilisée à une altitude inférieure à cette valeur maximale.

Lorsque l'appareil est installé à une altitude supérieure à 10 000 pi (3 048 m), on doit réduire de 4 % le débit thermique du brûleur indiqué sur la plaque signalétique pour chaque tranche de 1 000 pi (305 m) d'augmentation de l'altitude. Pour obtenir de l'aide lors de la conversion à d'autres types de gaz ou l'installation de l'appareil à une altitude supérieure à 10 000 pi (3 048 m), contacter la société de dépannage la plus proche.

## SPÉCIFICATIONS ÉLECTRIQUES DE LA SÉCHEUSE ÉLECTRIQUE – É.-U. SEULEMENT

**C'est à l'utilisateur qu'incombe la responsabilité de :**

- Contacter un électricien qualifié.
- S'assurer que le raccordement électrique est adéquat et conforme au code national de l'électricité, ANSI/NFPA 70 – dernière édition, et à tous les codes et règlements locaux en vigueur.
- Le National Electrical Code impose un raccordement à 4 fils de l'alimentation électrique pour les maisons construites après 1996, les circuits de sécheuse modifiés après 1996 et toutes les installations de maisons mobiles.
- Pour obtenir un exemplaire des normes des codes ci-dessus, contacter : National Fire Protection Association One Batterymarch Park, Quincy, MA 02269.
- L'appareil doit être alimenté uniquement par un circuit monophasé à 3 ou 4 fils de 120/240 V CA, 60 Hz (ou 3 ou 4 fils, 120/208 V, si précisé sur la plaque signalétique) sur un circuit séparé et protégé par un fusible ou un disjoncteur de 30 A sur chacun des 2 câbles. On recommande d'utiliser un fusible ou un disjoncteur temporisé. On recommande également que cet appareil soit alimenté par un circuit indépendant. Ne pas avoir de fusible dans le circuit neutre ou de mise à la terre.
- Ne pas utiliser de rallonge.
- Si les codes le permettent et si on utilise un conducteur distinct de liaison à la terre, il est recommandé qu'un électricien qualifié vérifie la qualité de la liaison à la terre.

### Raccordement électrique

Pour installer la sécheuse de façon appropriée, il faut établir le type de raccords électriques que l'on utilisera et suivre les instructions de ce document.

- Cette sécheuse est prête à l'installation avec un raccordement à l'alimentation électrique à 3 fils. Le fil de terre neutre est définitivement raccordé au conducteur neutre (fil blanc) à l'intérieur de la sécheuse. Si la sécheuse est installée avec un raccordement à 4 fils à l'alimentation électrique, le fil de terre neutre doit être retiré de la vis du connecteur de terre externe (vis verte) et fixé sous la borne du neutre (fil du centre ou blanc) du bornier. Lorsque le fil de terre neutre est fixé sous la borne du neutre (fil du centre ou blanc) du bornier, la caisse de la sécheuse est isolée du conducteur neutre.

- Si les codes locaux n'autorisent pas le raccordement d'un conducteur de liaison à la terre au fil neutre, voir « Raccordement optionnel à 3 fils ».
- Un raccordement à 4 fils de l'alimentation électrique doit être utilisé lorsque l'appareil est installé dans un lieu où la mise à la terre par le conducteur neutre est interdite. Il est interdit de relier l'appareil à la terre par l'intermédiaire du conducteur neutre dans les cas suivants : (1) nouvelle installation de circuit de dérivation, et (2) juridictions dans lesquelles le code local interdit la liaison à la terre par l'intermédiaire du conducteur neutre.

### Mise à la terre de la sécheuse électrique

#### INSTRUCTIONS DE LIAISON À LA TERRE

- Pour une sécheuse reliée à la terre et connectée par un cordon :

Cette sécheuse doit être reliée à la terre. En cas de mauvais fonctionnement ou de panne, la liaison à la terre réduira le risque de choc électrique en offrant au courant électrique un acheminement d'évacuation de moindre résistance. Cette sécheuse est alimentée par un cordon électrique comportant un conducteur relié à la terre et une fiche de branchement munie d'une broche de liaison à la terre. La fiche doit être branchée sur une prise appropriée qui est bien installée et reliée à la terre conformément à tous les codes et règlements locaux.

- Pour une sécheuse raccordée en permanence : Cette sécheuse doit être raccordée à un système de câblage permanent en métal relié à la terre ou un conducteur relié à la terre doit être en fonction avec les conducteurs de circuit et raccordé à la borne de liaison à la terre ou la borne sur la sécheuse.

**AVERTISSEMENT :** Le raccordement incorrect de cet appareil au conducteur de liaison à la terre peut susciter un risque de choc électrique. En cas de doute quant à la qualité de liaison à la terre de la sécheuse, consulter un électricien ou un technicien ou un personnel qualifié. Ne pas modifier la fiche de branchement fournie avec la sécheuse; si la fiche ne correspond pas à la configuration de la prise de courant, demander à un électricien qualifié d'installer une prise de courant appropriée.

#### CONSERVEZ CES INSTRUCTIONS

## ⚠️ AVERTISSEMENT



### Risque d'incendie

Utiliser un cordon d'alimentation électrique neuf homologué UL de 30 ampères.

Utiliser un réducteur de tension homologué UL.

Déconnecter la source de courant électrique avant de réaliser les connexions électriques.

Connecter le conducteur neutre (blanc ou conducteur central) à la borne centrale.

Le conducteur de liaison à la terre (vert ou nu) doit être relié au connecteur vert de liaison à la terre.

Connecter les 2 conducteurs d'alimentation restants aux 2 bornes restantes.

Bien serrer chaque organe de connexion du branchement électrique.

Le non-respect de cette instruction peut causer un décès, un incendie ou un choc électrique.

### En cas d'utilisation d'un cordon d'alimentation :

Utiliser un ensemble de cordon d'alimentation électrique homologué UL marqué pour utilisation avec les sècheuses à vêtements. La trousse doit contenir :

- Un cordon d'alimentation électrique homologué UL de 30 A, 120/240 V minimum. Le câble doit être de type SRD ou SRDT et mesurer au moins 4 pi (1,22 m) de long. Les fils raccordés à la sècheuse doivent se terminer par des cosses rondes ou des cosses en « U » à fourche, à pointes relevées.
- Un serre-câbles homologué UL.

### Si la prise murale ressemble à ceci :



Prise murale à 4 conducteurs (14-30R)

Choisir un cordon d'alimentation à 4 fils avec cosses rondes ou à fourche et un serre-câbles homologué UL. Le cordon d'alimentation électrique à 4 fils, d'au moins 4 pi (1,22 m) de long, doit avoir 4 fils en cuivre torsadés de calibre no 10 et une fiche à 4 fils correspondante de type NEMA 14-30R. Le fil de mise à la terre (le conducteur de mise à la terre) peut être vert ou nu. Le conducteur neutre doit être identifié par une gaine blanche.

### Si la prise murale ressemble à ceci :



Prise murale à 3 conducteurs (10-30R)

Choisir un cordon d'alimentation à 3 fils avec cosses rondes ou à fourche et un serre-câble homologué UL. Le cordon d'alimentation électrique à 3 fils, d'au moins 4 pi (1,22 m) de long, doit comporter trois fils en cuivre torsadés de calibre no 10 et une fiche à 3 fils correspondante de type NEMA 10-30R.

## ⚠️ AVERTISSEMENT



### Risque d'incendie

Utiliser du fil en cuivre solide de calibre 10.

Utiliser un réducteur de tension homologué UL.

Déconnecter la source de courant électrique avant de réaliser les connexions électriques.

Connecter le conducteur neutre (blanc ou conducteur central) à la borne centrale.

Le conducteur de liaison à la terre (vert ou nu) doit être relié au connecteur vert de liaison à la terre.

Connecter les 2 conducteurs d'alimentation restants aux 2 bornes restantes.

Bien serrer chaque organe de connexion du branchement électrique.

Le non-respect de cette instruction peut causer un décès, un incendie ou un choc électrique.

### Pour le raccordement direct :

Le câble à raccordement direct doit correspondre à l'alimentation électrique (4 fils ou 3 fils) et être :

- Un câble en cuivre à gaine non métallique ou blindé souple (avec fil de mise à la terre), avec conduit métallique souple. Tous les fils sous tension doivent être isolés.
- Conducteur en cuivre de calibre 10 (ne pas utiliser d'aluminium).
- D'au moins 5 pi (1,52 m) de long.

## EXIGENCES CONCERNANT L'ÉVACUATION DE LA SÈCHEUSE

## ⚠️ AVERTISSEMENT



### Risque d'incendie

Utiliser un conduit d'évacuation en métal lourd.

Ne pas utiliser un conduit d'évacuation en plastique.

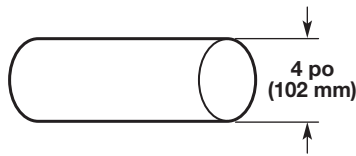
Ne pas utiliser un conduit d'évacuation en feuille de métal.

Le non-respect de ces instructions peut causer un décès ou un incendie.

**AVERTISSEMENT :** Pour réduire le risque d'incendie, cette sècheuse doit ÉVACUER L'AIR À L'EXTÉRIEUR.

**IMPORTANT :** Observer les dispositions de tous les codes et règlements en vigueur.

Le conduit d'évacuation de la sècheuse ne doit pas être raccordé à une évacuation de gaz, une cheminée, un mur, un plafond, un grenier, un vide sanitaire ou un vide de construction. Seul un conduit d'évacuation métallique rigide ou souple doit être utilisé pour le système d'évacuation.



**Conduit d'évacuation en métal lourd de 4 po (102 mm)**

- Il ne faut utiliser qu'un conduit d'évacuation en métal lourd de 4 po (102 mm) et des brides de serrage.
- Ne pas utiliser de conduit de plastique ou de métal très mince.

**Conduit métallique rigide :**

- Recommandé pour une performance de séchage idéale afin d'éviter tout écrasement ou déformation.

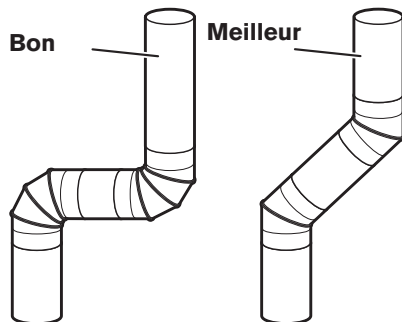
**Conduit métallique flexible :** (acceptable uniquement si l'accès reste facile pour le nettoyage)

- Doit être entièrement déployé et soutenu à l'emplacement d'installation final de la sècheuse.
- Enlever tout excès de conduit flexible pour éviter tout affaissement et déformation susceptible de réduire la capacité d'évacuation et le rendement.
- Ne pas installer le conduit métallique flexible dans des cavités fermées de murs, plafonds ou planchers.
- La longueur totale ne doit pas dépasser 7 3/4 pi (2,4 m).

**REMARQUE :** Lors de l'utilisation d'un système d'évacuation existant, nettoyer et éliminer la charpie sur toute la longueur du système, et veiller à ce que l'évent d'évacuation ne soit pas obstrué par de la charpie. Remplacer tout conduit de plastique ou en aluminium par un conduit métallique rigide ou souple. Consulter à nouveau le tableau des systèmes d'évacuations et modifier le système d'évacuation existant au besoin pour obtenir un meilleur séchage.

**Coudes :**

- Les coudes à 45° permettent une meilleure circulation de l'air que les coudes à 90°.



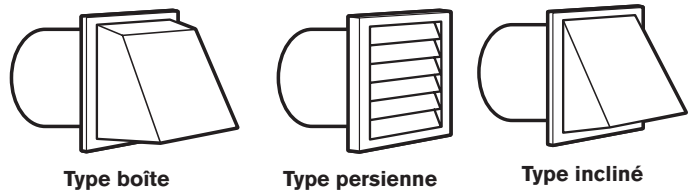
**Brides de fixation :**

- Utiliser des brides pour sceller tous les joints.
- Le conduit d'évacuation ne doit pas être raccordé ou fixé avec des vis ou tout autre dispositif de serrage qui se prolongerait à l'intérieur du conduit et retiendrait la charpie. Ne pas utiliser de ruban adhésif pour conduit.

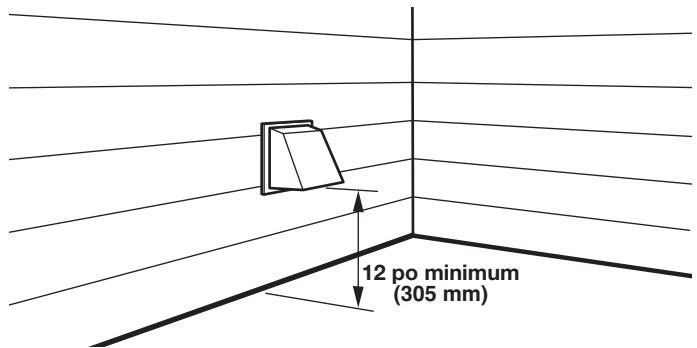


**Hottes d'extraction :**

**Clapets d'évacuation – Diamètre de 4 po (102 mm)**



Le clapet de décharge doit se trouver à au moins 12 po (305 mm) au-dessus du sol ou de tout autre objet susceptible de se trouver sur le trajet de l'air humide rejeté (par exemple, fleurs, roches, buissons ou neige).



**Longueur du système d'évacuation**

**Longueur maximale du conduit/raccord**

La longueur maximale du système d'évacuation dépend du type de conduit utilisé, du nombre de coudes et du type de clapet d'évacuation.

**Longueur du système d'évacuation**

Nbre de changements de direction à 90°	Évent carré et à lames	Type incliné
0	64 pi (19,5 m)	58 pi (17,7 m)
1	54 pi (16,5 m)	48 pi (14,6 m)
2	44 pi (13,4 m)	38 pi (11,6 m)
3	35 pi (10,7 m)	29 pi (8,8 m)
4	27 pi (8,2 m)	21 pi (6,4 m)

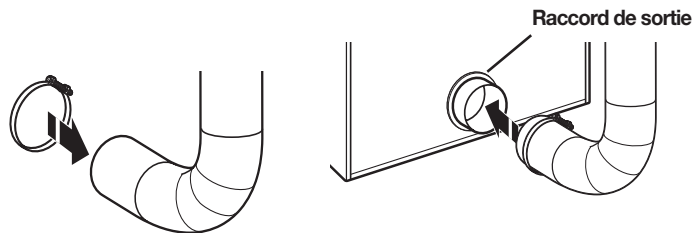
Pour les systèmes d'évacuation autres que ceux indiqués dans le tableau des systèmes d'évacuation, consulter le revendeur de pièces.

Prévoir un espace suffisant pour la combustion et la ventilation de l'air. (Vérifier les dispositions des codes et règlements en vigueur.) Voir « Instructions d'installation dans un encastrement » dans la section « Exigences d'emplacement ».

Il est préférable d'utiliser une sortie de hotte de 4 po (102 mm). Cependant, on peut utiliser un clapet d'évacuation de 2 1/2 po (64 mm). Une sortie de 2 1/2 po (64 mm) cause davantage de contre-pression que les autres types d'installation. Pour une installation permanente, un système d'évacuation fixe est requis.

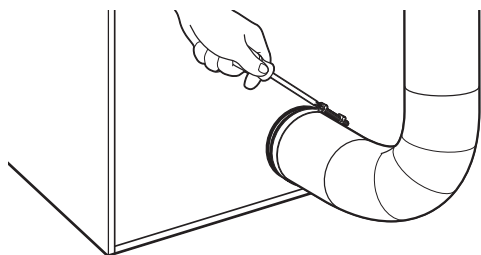
## Raccordement du conduit d'évacuation

1. Si on utilise le conduit d'évacuation existant, s'assurer qu'il est propre.
2. À l'aide d'une bride de fixation de 4 po (102 mm), relier le conduit d'évacuation à la bouche d'évacuation de la sècheuse.

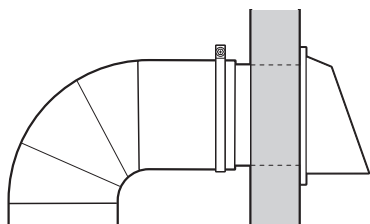


**REMARQUE :** Ne pas enlever le raccord de sortie.

3. Serrer la bride de serrage de tuyau avec un tournevis à tête cruciforme.



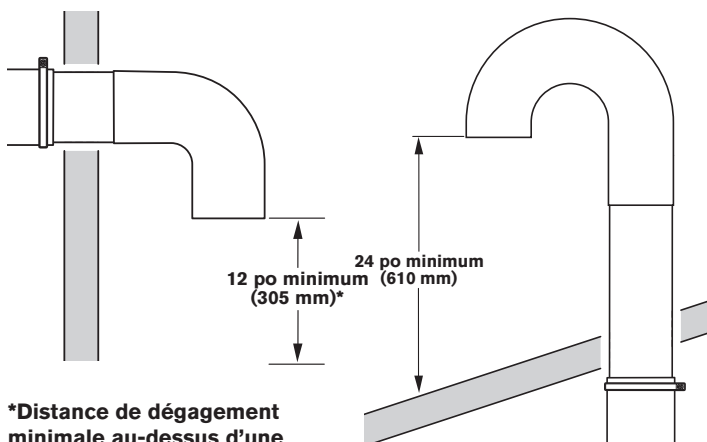
4. S'assurer que le conduit d'évacuation est fixé au clapet d'évacuation à l'aide d'une bride de fixation de 4 po (102 mm).



5. Placer la sècheuse à son emplacement final. Ne pas écraser ni pincer le conduit d'évacuation. Vérifier que la sècheuse est d'aplomb.

## Si on ne peut pas utiliser d'évent d'évacuation

L'extérieur du conduit d'évacuation principal doit comporter un conduit de déviation orienté vers le bas.



\*Distance de dégagement minimale au-dessus d'une accumulation de neige, de glace ou de débris tels des feuilles

Si le conduit principal monte verticalement à travers le toit et non à travers le mur, installer un coude de déviation à 180° à l'extrémité du conduit d'au moins 2 pi (610 mm) au-dessus de la surface ou du toit. Le diamètre de l'ouverture dans le toit ou le mur doit être supérieur de 1/2 po (13 mm) à celui du conduit. Le conduit doit être centré dans l'ouverture.

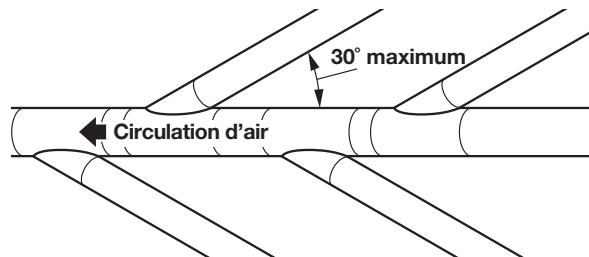
Pour de meilleures performances, ne pas installer de grillage à l'extrémité de l'évacuation.

## Évacuation pour plusieurs sècheuses

On peut utiliser un conduit principal pour assurer l'évacuation d'un ensemble de sècheuses. La taille du conduit principal doit permettre une évacuation de 5 663 L/min. (200 pi<sup>3</sup>/min) d'air par sècheuse. On peut utiliser des filtres à charpie haute capacité correctement conçus dans le conduit principal s'ils sont inspectés et nettoyés régulièrement. La pièce dans laquelle se trouvent les sècheuses doit comporter un système d'air d'appoint au moins égal au pi<sup>3</sup>/min de toutes les sècheuses qui se trouvent dans la pièce.

Des clapets antireflux peuvent être achetés chez votre fournisseur et devraient être installés dans l'évacuation de chaque sècheuse pour empêcher l'air évacué de revenir dans les sècheuses et pour équilibrer l'évacuation du conduit principal. Des ouvertures dégagées pour le retour d'air sont nécessaires.

Chaque conduit doit pénétrer dans le conduit principal en direction du mouvement de circulation de l'air. Les évacuations par l'autre côté doivent être placées en quinconce (décalées) pour réduire les interférences avec l'air sortant des autres évacuations en face.



L'inclinaison maximale de chaque conduit qui pénètre dans le conduit principal ne doit pas dépasser 30°.

Veiller à ce que les ouvertures de passage d'air demeurent exemptes de vapeurs de solvants de nettoyage à sec. Les vapeurs sont source de formation de composés acides, dont l'introduction par les modules de chauffage de la sècheuse peut provoquer la détérioration de la sècheuse et du linge en cours de séchage.

Le conduit d'évacuation principal devrait comporter un couvercle amovible, ce qui permet le nettoyage périodique du circuit d'extraction.

## PIEDS DE NIVELLEMENT

### ⚠ AVERTISSEMENT

**Risque de poids excessif**

**Deux personnes ou plus sont nécessaires pour déplacer et installer la sècheuse.  
Le non-respect de cette instruction peut causer une blessure au dos ou d'autres blessures.**

## 1. Les pieds sont déjà installés sur l'appareil.

**REMARQUE :** Faire glisser la sècheuse sur le carton ou le panneau dur avant de la déplacer pour éviter d'endommager la surface du plancher.

À l'aide d'au moins deux personnes, déplacer la sècheuse à l'emplacement d'installation souhaité.

Retirer le ruban des coins avant de la sècheuse. Ouvrir la sècheuse et ôter les sachets de pièces et le document de référence. Essuyer l'intérieur du tambour avec un chiffon humide pour éliminer toute trace de poussière.

Placer ensuite un patin sur chaque pied.

Pour protéger le plancher, utiliser un grand morceau de carton provenant de l'emballage de la sècheuse. Redresser la sècheuse sur le morceau de carton. Faire glisser la sècheuse jusqu'à ce qu'elle se trouve à proximité de son emplacement final. Laisser suffisamment d'espace pour pouvoir réaliser le raccordement électrique et du conduit d'évacuation.

## NIVELLEMENT

Niveler votre sècheuse pour réduire de façon adéquate le niveau sonore et les vibrations excessifs.

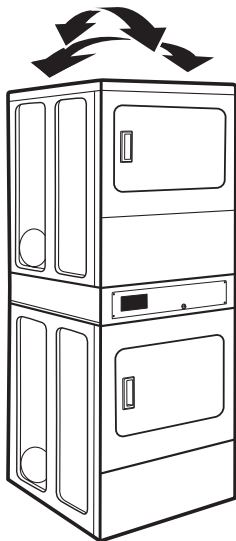
### **AVERTISSEMENT**

#### Risque de poids excessif

**Deux personnes ou plus sont nécessaires pour déplacer et installer la sècheuse.**

**Le non-respect de cette instruction peut causer une blessure au dos ou d'autres blessures.**

1. Enlever le morceau de carton placé sous la sècheuse. Placer un niveau sur les bords supérieurs de la sècheuse en vérifiant chaque côté et l'avant. Si elle n'est pas d'aplomb, faire basculer la sècheuse et régler les pieds vers le haut ou vers le bas puis recommencer si nécessaire.
2. Saisir la sècheuse par le dessus et la faire basculer d'avant en arrière tout en s'assurant que les quatre pieds sont en contact ferme avec le sol. Faire de nouveau basculer la sècheuse transversalement. Si la sècheuse bascule, ajuster les pieds de nivellement.



3. Si la sècheuse n'est pas d'aplomb, tourner les pieds de nivellement dans le sens antihoraire pour abaisser la sècheuse ou dans le sens horaire pour la soulever. Vérifier de nouveau l'aplomb de la sècheuse et s'assurer que les quatre pieds touchent fermement le sol. Répéter si nécessaire.

**CONSEIL UTILE :** Il serait judicieux de soulever l'avant de la sècheuse d'environ 4 po (102 mm) à l'aide d'un bloc de bois ou un objet semblable qui pourra soutenir le poids de l'appareil.

## RACCORDEMENT DE L'ALIMENTATION EN GAZ

### Raccordement au gaz

### **AVERTISSEMENT**



#### Risque d'explosion

**Utiliser une canalisation neuve d'arrivée de gaz approuvée par CSA International.**

**Installer un robinet d'arrêt.**

**Bien serrer chaque organe de connexion de la canalisation de gaz.**

**En cas de connexion au gaz propane, demander à une personne qualifiée de s'assurer que la pression de gaz ne dépasse pas 330 mm (13 po) de la colonne d'eau.**

**Par personne qualifiée, on comprend :**

**le personnel autorisé de chauffage,  
le personnel autorisé d'une compagnie de gaz, et  
le personnel d'entretien autorisé.**

**Le non-respect de ces instructions peut causer un décès, un explosion ou un incendie.**

1. Retirer le capuchon rouge de la canalisation de gaz à l'arrière de la sècheuse.
2. Connecter l'alimentation en gaz à la sècheuse. Utiliser un composé d'étanchéité de tuyauterie approuvé pour le type de gaz utilisé. Si on utilise un conduit métallique souple, veiller à ce qu'il ne soit pas pincé. Si nécessaire pour une intervention d'entretien, ouvrir la plinthe. Appuyer sur les dispositifs de verrouillage de la plinthe avec un couteau à mastic pour l'ouvrir – les dispositifs se trouvent sur les coins supérieurs de la plinthe. Tirer la plinthe vers le bas pour l'ouvrir. La plinthe comporte une charnière sur sa partie inférieure.
3. Ouvrir le robinet d'arrêt de la canalisation d'alimentation en gaz et s'assurer que l'entrée en gaz de la sècheuse est aussi ouverte.
4. Vérifier tous les raccordements en les badigeonnant d'une solution de détection des fuites non corrosive approuvée. La formation de bulles indique la présence d'une fuite. Éliminer toute fuite détectée.

### Type de gaz

Cette sècheuse est équipée pour une alimentation au gaz naturel. Elle est homologuée par UL pour l'alimentation au gaz propane après conversion appropriée. Ne pas entreprendre de convertir la sècheuse pour une utilisation avec un gaz différent de celui indiqué sur la plaque signalétique sans consulter le fournisseur de gaz au préalable. L'opération de conversion doit être exécutée par un technicien de réparation qualifié.

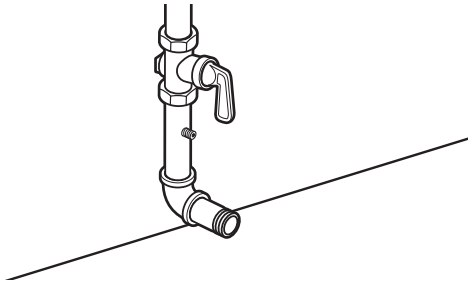
Consulter la liste des pièces ou visiter le [www.whirlpool.com](http://www.whirlpool.com) pour connaître les numéros de pièce de la trousse de conversion.

### Conduite de gaz

#### Méthode recommandée

Installer une canalisation de gaz rigide de 1/2 po (13 mm) jusqu'à l'emplacement d'installation de la sècheuse. On doit utiliser un composé d'étanchéité des tuyauteries résistant à l'action du gaz propane. Ne pas utiliser de ruban TEFLON<sup>®†</sup>. Pour l'alimentation au propane, le diamètre des canalisations ou tuyaux doit être de 1/2 po (13 mm) minimum. En général, le fournisseur de gaz propane détermine les matériaux à utiliser et le diamètre approprié.

<sup>†</sup> TEFLON est une marque déposée de Chemours.



### Essai de pression de la canalisation de gaz

Un piquage bouché de 1/8 po NPT minimum, accessible pour le contrôle de pression, doit être installé immédiatement en aval du robinet d'arrêt installé pour la sècheuse (comme illustré ci-dessous). Lors de toute épreuve de pressurisation du système à une pression supérieure à 1/2 lb/po<sup>2</sup> (352 kg/m<sup>2</sup>), on doit déconnecter la sècheuse de la tuyauterie de l'alimentation en gaz.

### Méthode alternative

L'alimentation en gaz peut aussi être raccordée à l'aide d'un conduit en cuivre ou en aluminium homologué de 3/8 po (10 mm). Si la longueur totale de la canalisation d'alimentation est supérieure à 20 pi (6,1 m), utiliser un conduit de taille supérieure.

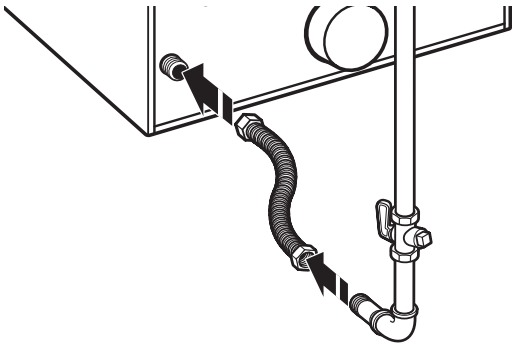
Pour le gaz naturel, ne pas utiliser de conduits en cuivre. On doit utiliser un composé d'étanchéité des tuyauteries résistant à l'action du gaz d'alimentation.

### Robinet d'arrêt nécessaire

La canalisation d'alimentation doit comporter un robinet d'arrêt individuel manuel installé à 6 pi (1,8 m) maximum de la sècheuse conformément au National Fuel Gas Code, ANSI Z223.1. Le robinet doit se trouver dans la même pièce que la sècheuse. Il doit se trouver en un endroit facilement accessible pour les manœuvres d'ouverture/fermeture. Ne pas entraver l'accès au robinet d'arrêt manuel.

### Raccord métallique flexible pour appareil ménager

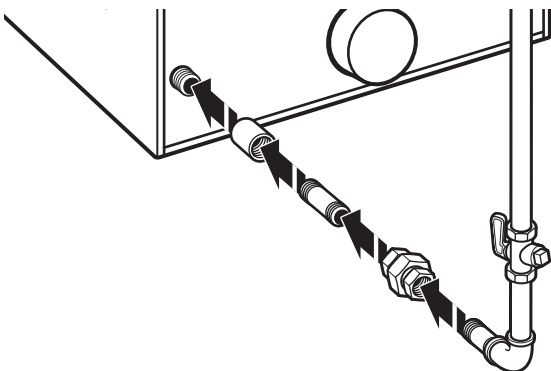
Il est recommandé d'utiliser une canalisation en acier inoxydable souple neuve, conception homologuée par CSA International, pour raccorder la sècheuse à la conduite d'alimentation en gaz. (La canalisation d'arrivée de gaz sortant à l'arrière/le bas de la sècheuse est dotée d'un filetage mâle de 3/8 po.)



**REMARQUE :** Ne pas déformer/endommager la canalisation en acier inoxydable flexible lors du déplacement de la sècheuse.

### Raccordement par conduit rigide

On doit utiliser une combinaison de raccords pour réaliser un raccordement aligné entre la sècheuse et la canalisation de gaz.



# CONNEXIONS ÉLECTRIQUES DE LA SÈCHEUSE ÉLECTRIQUE – É.-U. SEULEMENT

## Raccordement du cordon d'alimentation

### ⚠ AVERTISSEMENT



#### Risque d'incendie

Utiliser un cordon d'alimentation électrique neuf homologué UL de 30 ampères.

Utiliser un réducteur de tension homologué UL.

Déconnecter la source de courant électrique avant de réaliser les connexions électriques.

Connecter le conducteur neutre (blanc ou conducteur central) à la borne centrale.

Le conducteur de liaison à la terre (vert ou nu) doit être relié au connecteur vert de liaison à la terre.

Connecter les 2 conducteurs d'alimentation restants aux 2 bornes restantes.

Bien serrer chaque organe de connexion du branchement électrique.

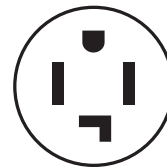
Le non-respect de cette instruction peut causer un décès, un incendie ou un choc électrique.

## Options de raccordement

### Cordon d'alimentation

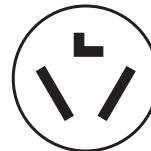
Prise murale à 4 fils (type NEMA 14-30R)

Aller à la section « Raccordement de la connexion à 4 fils : Cordon d'alimentation ».



Prise murale à 3 fils (type NEMA 10-30R)

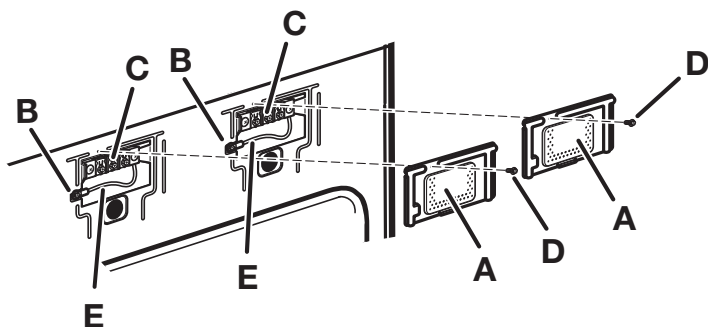
Aller à la section « Raccordement de la connexion à 3 fils : Cordon d'alimentation ».



**REMARQUE :** Si les codes locaux n'autorisent pas le raccordement d'un conducteur de masse de la caisse au fil neutre, voir la section « Raccordement de la connexion à 3 fils : optionnel ».

Ce raccordement peut servir pour un cordon d'alimentation ou une connexion directe des conducteurs.

## Retirer le couvercle du bornier



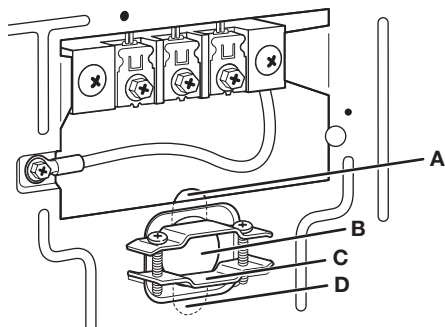
Avant de commencer, débrancher l'alimentation. Retirer la vis de retenue (D) et le couvercle du bornier (A).

- A. Couvercle du bornier
- B. Vis du conducteur de terre externe
- C. Vis de la borne centrale
- D. Vis de retenue
- E. Connecteur neutre de mise à la terre

## Serre-câbles du cordon d'alimentation

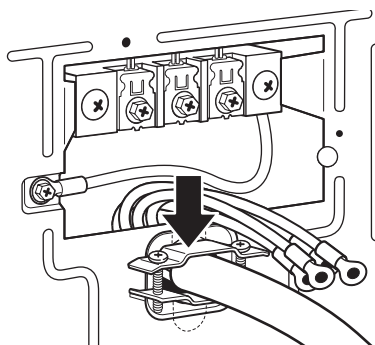
### 1. Insérer le serre-câbles

Retirer les vis d'un serre-câbles homologué UL de 3/4 po (19 mm). Placer les languettes des deux moitiés de pince (C) dans le trou sous l'ouverture du bornier (B), de sorte qu'une d'entre elles pointe vers le haut (A) et l'autre vers le bas (D). Maintenir en place. Serrer les vis du serre-câbles juste assez pour maintenir ensemble les deux moitiés de pince (C).



### 2. Insérer le cordon d'alimentation dans le serre-câbles

Passer le cordon d'alimentation à travers le serre-câbles. Vérifier que la gaine d'isolation du cordon d'alimentation rentre à l'intérieur du serre-câbles. Le serre-câbles doit être bien relié à la caisse de la sècheuse et se trouver en position horizontale. Ne pas visser davantage les vis du serre-câbles à ce stade.



## Raccordement de la connexion à 4 fils : Cordon d'alimentation

**IMPORTANT :** Un raccordement à 4 fils est obligatoire lorsque les codes locaux n'autorisent pas l'utilisation de raccordements à 3 fils.

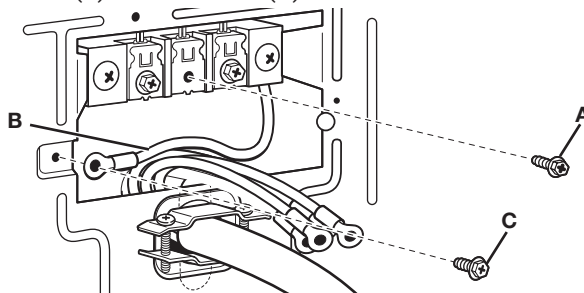
Connecteurs standard pour cordon d'alimentation



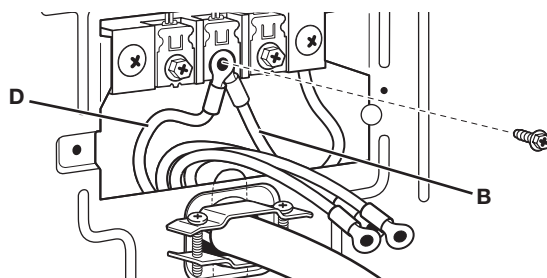
Connecteur à fourche et pointes relevées      Connecteur rond

## Raccordement du conducteur de mise à la terre et du conducteur neutre

1. Retirer la vis (A) de la borne centrale du bornier et le conducteur de terre neutre (B) en retirant la vis (C) du connecteur de terre externe.

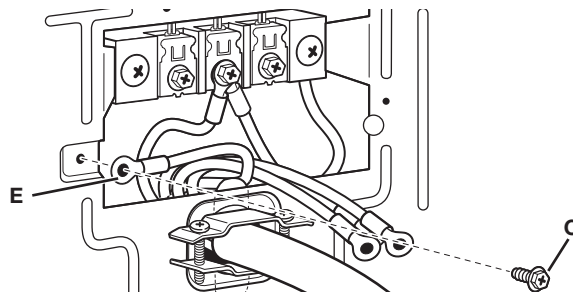


2. Connecter le conducteur terre neutre (B) et le conducteur neutre (blanc ou central) à la borne centrale du bornier. Serrer la vis.



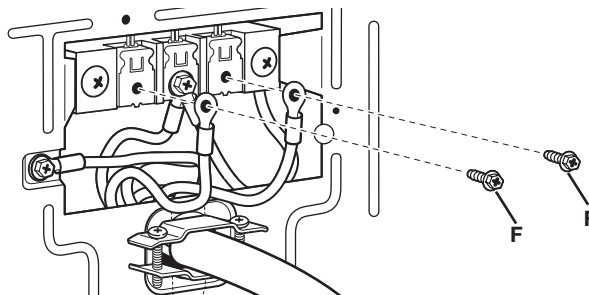
## Connecter le conducteur de terre du cordon d'alimentation

3. Connecter le conducteur de mise à la terre (vert ou nu) (E) à la vis du connecteur de mise à la terre externe (C). Serrer la vis.



## Connecter les conducteurs restants

4. Connecter les conducteurs restants au moyen des vis les plus à l'extérieur du bornier (F). Serrer les vis. Enfin, réinstaller le couvercle du bornier et serrer la vis de retenue. Passer à la section « Achever l'installation ».



## Raccordement de la connexion à 3 fils : Cordon d'alimentation

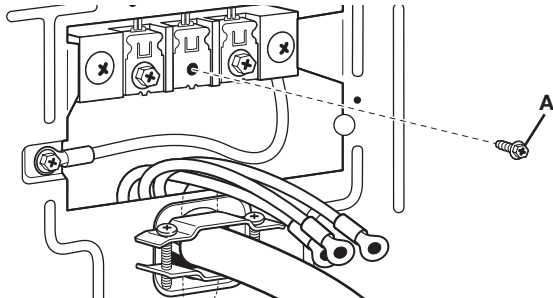
Connecteurs standard pour cordon d'alimentation



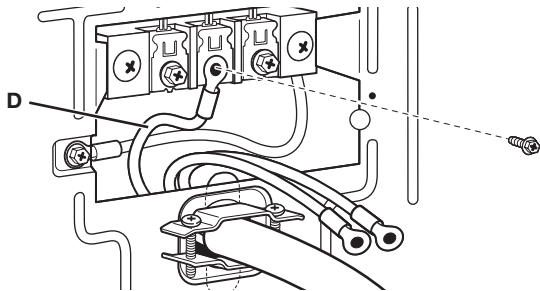
Connecteur à fourche et pointes relevées    Connecteur rond

### Raccordement du conducteur neutre

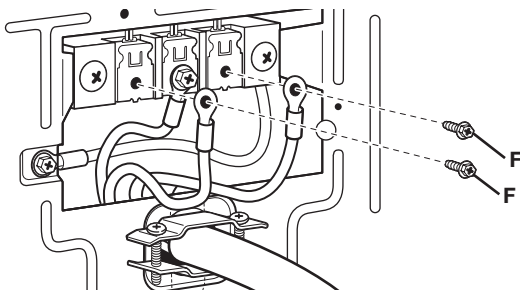
1. Desserrer ou retirer la vis de la borne centrale du bornier (A).



2. Connecter le conducteur neutre blanc (blanc ou conducteur central) (D) à la borne centrale (argent). Serrer la vis.



3. Connecter les conducteurs restants au moyen des vis les plus à l'extérieur du bornier (F). Serrer les vis. Enfin, réinstaller le couvercle du bornier et serrer la vis de retenue. Passer à la section « Achever l'installation ».



## Méthode de raccordement direct

### ⚠ AVERTISSEMENT



#### Risque d'incendie

Utiliser du fil en cuivre solide de calibre 10.

Utiliser un réducteur de tension homologué UL.

Déconnecter la source de courant électrique avant de réaliser les connexions électriques.

Connecter le conducteur neutre (blanc ou conducteur central) à la borne centrale.

Le conducteur de liaison à la terre (vert ou nu) doit être relié au connecteur vert de liaison à la terre.

Connecter les 2 conducteurs d'alimentation restants aux 2 bornes restantes.

Bien serrer chaque organe de connexion du branchement électrique.

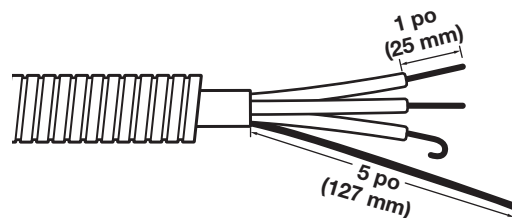
Le non-respect de cette instruction peut causer un décès, un incendie ou un choc électrique.

### Options de raccordement

#### Raccordement direct

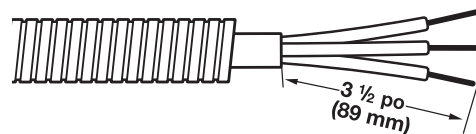
Direct – 4 fils

Lire la section « Raccordement de la connexion à 4 fils : câblage direct ».



Direct – 3 fils

Lire la section « Raccordement de la connexion à 3 fils : câblage direct ».

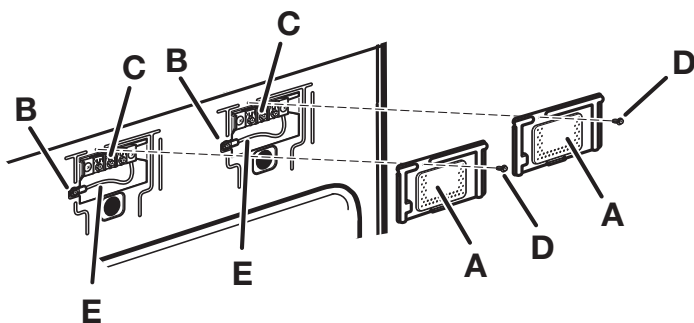


**REMARQUE :** Si les codes locaux n'autorisent pas le raccordement d'un conducteur de masse de la caisse au fil neutre, voir la section « Raccordement de la connexion à 3 fils : optionnel ».

Ce raccordement peut servir pour un cordon d'alimentation ou une connexion directe des conducteurs.



## Retirer le couvercle du bornier



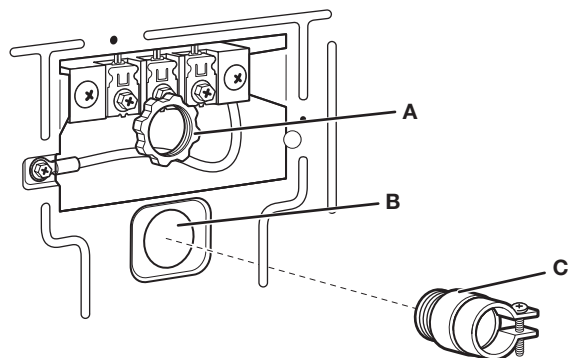
Avant de commencer, débrancher l'alimentation. Retirer la vis de retenue (D) et le couvercle du bornier (A).

- A. Couvercle du bornier
- B. Vis du conducteur de terre externe
- C. Vis de la borne centrale
- D. Vis de retenue
- E. Connecteur neutre de mise à la terre

## Serre-câbles pour câblage direct

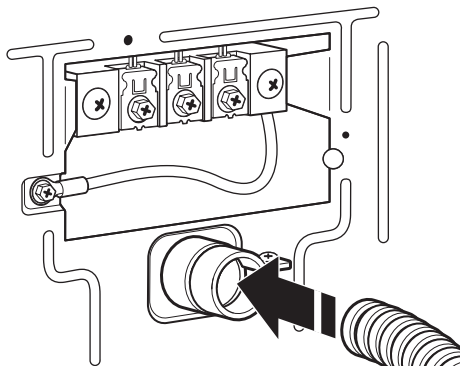
### 1. Insérer le serre-câbles.

Dévisser le raccord de conduit amovible (A) et les vis d'un serre-câbles homologué UL de 3/4 po (19 mm). Mettre la section filetée du serre-câbles (C) dans le trou dessous l'ouverture du bornier (B), visser le raccord de conduit amovible (A) sur le filetage du serre-câbles.



### 2. Insérer le conduit dans le serre-câbles et serrer la bride.

Passer le câble à raccordement direct à travers le serre-câbles. Le serre-câbles doit être bien relié à la caisse de la sécheuse et se trouver en position horizontale. Serrer la vis du serre-câbles autour du câble à raccordement direct.



## Raccordement de la connexion à 4 fils : Raccordement direct

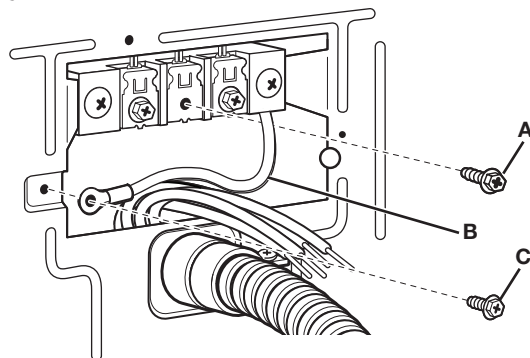
**IMPORTANT :** Un raccordement à 4 fils est obligatoire lorsque les codes locaux n'autorisent pas l'utilisation de raccordements à 3 fils.

Le câble à raccordement direct doit avoir une longueur supplémentaire de 5 pi (1,52 m) pour pouvoir déplacer la sécheuse si nécessaire.

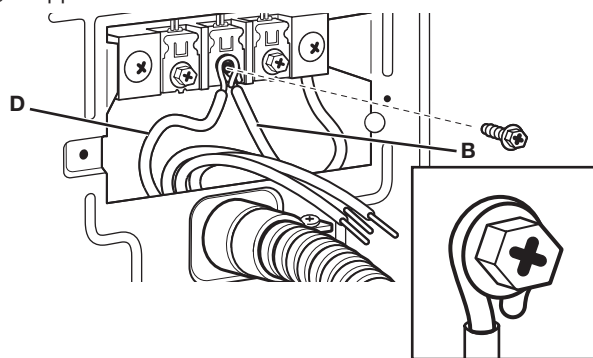
Dénuder une longueur de 5 po (127 mm) de gaine extérieure à l'extrémité du câble, en laissant le conducteur de mise à la terre nu à la longueur de 5 po (127 mm). Couper 1 1/2 po (38 mm) des trois conducteurs restants. Dénuder les conducteurs sur une longueur de 1 po (25 mm). Former des crochets aux extrémités des conducteurs.

## Raccordement du conducteur de terre neutre et du conducteur neutre

1. Retirer la vis (A) de la borne centrale du bornier et le conducteur de terre neutre (B) en retirant la vis (C) du connecteur de terre externe.

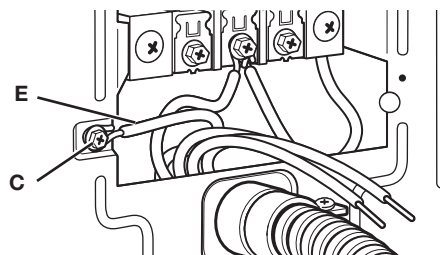


2. Connecter le conducteur de terre neutre (B) et placer l'extrémité en crochet (crochet orienté vers la droite) du conducteur neutre (blanc ou conducteur central) sous la vis de la borne centrale (B). Rapprocher les extrémités du crochet. Serrer la vis.



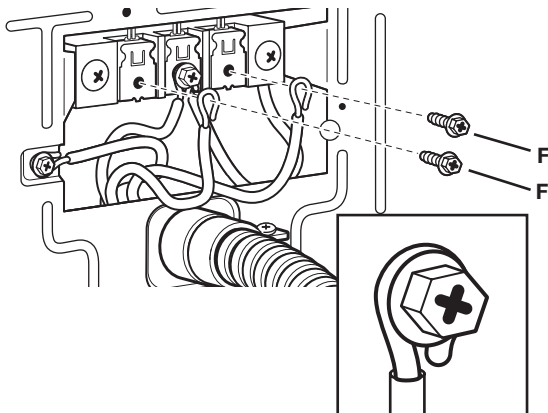
## Raccordement direct du conducteur de terre

3. Connecter le conducteur de mise à la terre (vert ou nu) (E) à la vis du connecteur de mise à la terre externe (C). Serrer la vis.



## Connecter les conducteurs restants

- Placer les extrémités en crochet des conducteurs à raccordement direct (crochets orientés vers la droite). Rapprocher les extrémités en crochet et serrer les vis. Enfin, réinstaller le couvercle du bornier et serrer la vis de retenue. Serrer les vis. Passer à la section « Achever l'installation ».



## Raccordement de la connexion à 3 fils : Raccordement direct

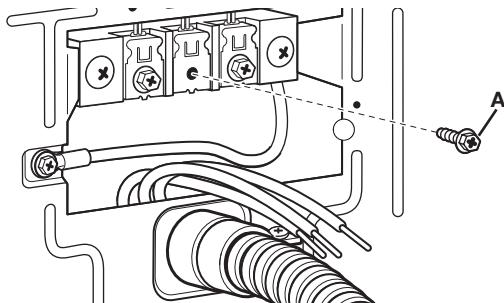
### À utiliser lorsque les codes locaux autorisent la connexion du conducteur de masse de la caisse au conducteur neutre.

Le câble à raccordement direct doit avoir une longueur supplémentaire de 5 pi (1,52 m) pour pouvoir déplacer la sècheuse si nécessaire.

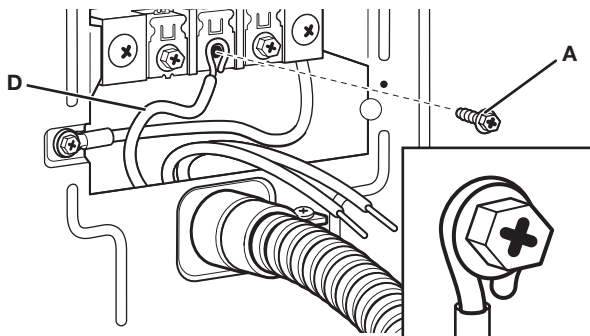
Dénuder une longueur de 3 1/2 po (89 mm) de gaine extérieure à l'extrémité du câble. Dénuder les conducteurs sur une longueur de 1 po (25 mm). Si un câble à 3 fils avec conducteur de mise à la terre est utilisé, couper le fil nu au même niveau que la gaine extérieure. Former des crochets aux extrémités des conducteurs.

## Raccordement du conducteur neutre

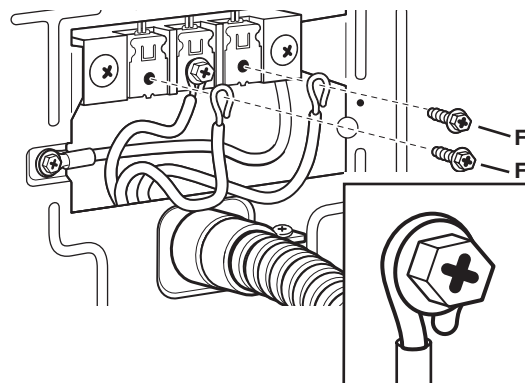
- Desserrer ou retirer la vis de la borne centrale du bornier (A).



- Placer l'extrémité en crochet (crochet orienté vers la droite) du conducteur neutre (blanc ou conducteur central) (D) sous la vis de la borne centrale (B). Rapprocher les extrémités du crochet. Serrer la vis.



- Placer les extrémités en crochet des conducteurs à raccordement direct (crochets orientés vers la droite). Rapprocher les extrémités en crochet et serrer les vis. Enfin, réinstaller le couvercle du bornier et serrer la vis de retenue. Serrer les vis. Passer à la section « Achever l'installation ».

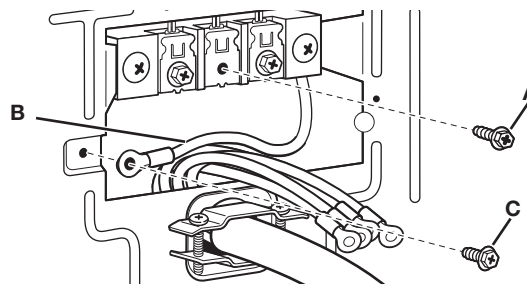


## Raccordement de la connexion à 3 fils : en option

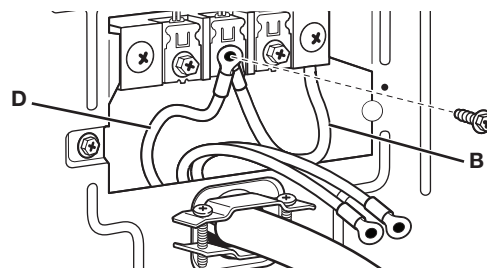
À utiliser pour le raccordement direct ou le cordon d'alimentation si les codes locaux ne permettent pas le raccordement du conducteur de terre de la caisse au neutre.

## Raccordement du conducteur neutre

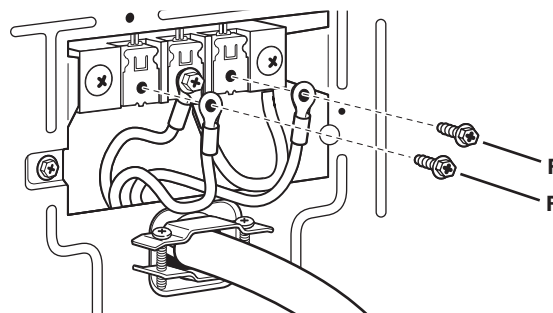
- Retirer la vis de la borne centrale (A). Retirer également le conducteur de terre neutre (B) en retirant la vis du conducteur de mise à la terre externe (C).



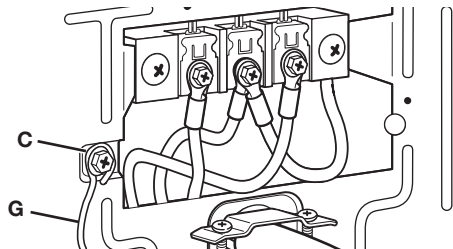
- Connecter le conducteur de terre neutre (B) et le conducteur neutre (blanc ou central) (D) du cordon/câble d'alimentation sous la borne centrale du bornier. Serrer la vis.



- Connecter les conducteurs restants sous le bornier extérieur. Serrer les vis.



- Raccorder un autre conducteur de terre en cuivre (G) sous la vis de conducteur de terre externe (A) pour mise à la terre adéquate. Enfin, réinstaller le couvercle du bornier et serrer la vis de retenue. Passer à la section « Achever l'installation ».



## FIN DE L'INSTALLATION

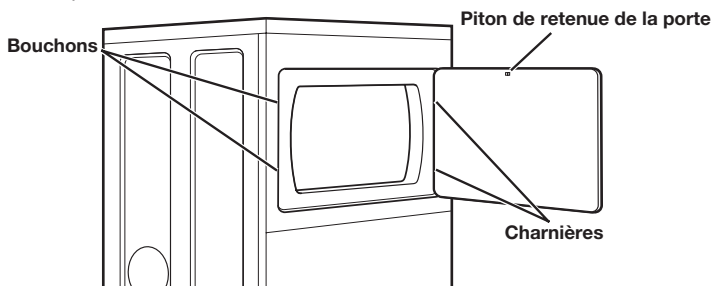
- Consulter les spécifications électriques. Vérifier que la tension électrique disponible est correcte et que la prise de courant est convenablement reliée à la terre. Consulter les « Spécifications électriques ».
- Vérifier que toutes les pièces sont maintenant installées. S'il reste une pièce, passer en revue les différentes étapes.
- Vérifier la présence de tous les outils.
- Éliminer/recycler tous les matériaux d'emballage.
- Brancher sur une prise reliée à la terre ou connecter la source de courant électrique.
- Vérifier le bon fonctionnement de la sècheuse. Fermer la porte de la sècheuse. Sélectionner un programme. Choisir un programme de séchage complet (pas le programme de séchage sans chaleur) et laisser la sècheuse fonctionner pendant au moins cinq minutes. La sècheuse s'arrête une fois la durée écoulée.  
**REMARQUE :** La porte de la sècheuse doit être fermée pour que celle-ci puisse fonctionner. Si l'on ouvre la porte, la sècheuse s'arrête, mais la minuterie continue à fonctionner. Pour remettre la sècheuse en marche, fermer la porte et sélectionner le programme à nouveau.
- Ouvrir la porte de la sècheuse. Vérifier que l'intérieur de la sècheuse est chaud. Si le brûleur ne s'allume pas et qu'on ne ressent pas de chaleur à l'intérieur de la sècheuse, éteindre la sècheuse pendant cinq minutes. Vérifier que toutes les manettes des vannes d'alimentation sont en position ouverte « ON » et que le cordon électrique est branché. Effectuer de nouveau le test de 5 minutes.
- Si le temps de séchage est trop long, s'assurer que le filtre à charpie est propre et qu'il n'y a pas d'obstruction dans le système d'évacuation de l'air.
- Démarrer à nouveau la sècheuse et la laisser terminer un programme avec chaleur (pas un programme de séchage à l'air) pour s'assurer qu'elle fonctionne correctement.

## INVERSION DU SENS D'OUVERTURE DE LA PORTE DE LA SÈCHEUSE (OPTIONNEL)

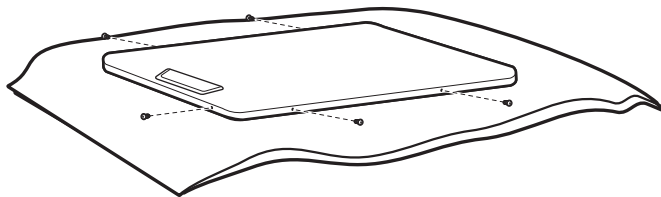
Au besoin, il est possible d'inverser le sens d'ouverture de la porte de la sècheuse.

### Retrait de la porte

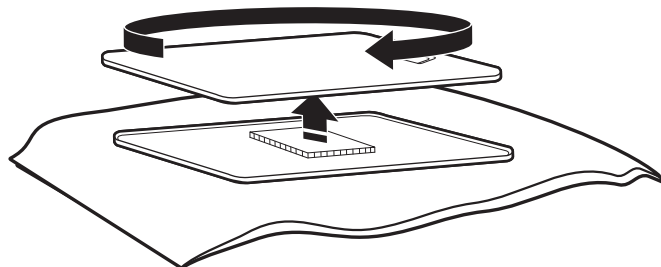
- Placer une serviette ou un chiffon doux sur le dessus du plan de travail pour éviter d'érafler la surface.
- Ouvrir la porte de la sècheuse. Ôter les vis inférieures du côté charnière de la caisse. Desserrer (ne pas retirer) les vis supérieures du côté charnière de la caisse.



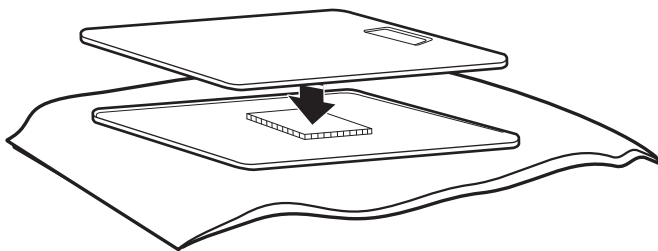
- Soulever la porte jusqu'à ce que les vis supérieures dans la caisse se trouvent dans la partie large de l'encoche de la charnière. Tirer vers l'avant pour dégager des vis. Placer la porte (côté poignée vers le haut) sur une serviette. Retirer les vis supérieures de la caisse.
- Retirer les vis fixant les charnières à la porte.
- Retirer les vis du sommet, du bas et du côté de la porte (cinq vis).



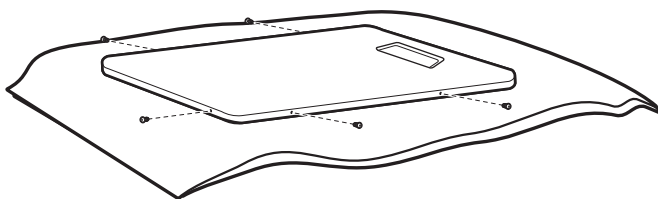
- Tout en maintenant la porte sur une serviette, saisir les côtés de la porte externe et soulever doucement pour la séparer de la porte interne. Ne pas utiliser un couteau à mastic pour séparer les parties. Ne pas tirer sur le joint ou le piton de retenue en plastique de la porte.



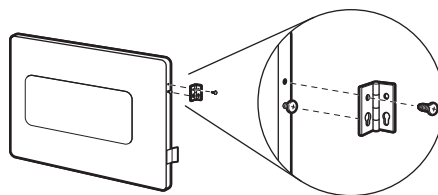
- Veiller à maintenir la cale d'espacement en carton centrée entre les portes. Fixer à nouveau le panneau de porte à la porte interne de façon à ce que la poignée se trouve du côté où les vis viennent d'être retirées.



- Refixer les vis au sommet, au bas et au côté de la porte (cinq vis).

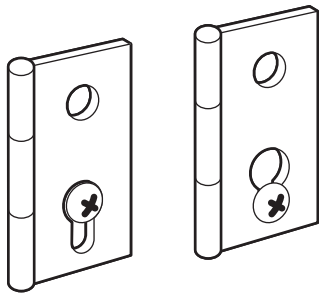


- Fixer les charnières de porte à la porte de la sècheuse de façon à ce que le trou le plus gros se trouve au fond de la charnière et que l'axe de la charnière soit orienté vers l'avant de la porte.



- Ôter les quatre vis fixant les 2 bouchons d'obturation du côté gauche. Fixer les bouchons d'obturation sur le côté droit à l'aide des mêmes quatre vis.

11. Insérer les vis dans les trous inférieurs du côté gauche de la caisse. Serrer les vis à moitié. Positionner la porte de façon à ce que le côté large de l'encoche de la charnière de porte se trouve au-dessus des vis. Faire glisser la porte vers le haut de façon à ce que les vis se trouvent au fond des encoches. Serrer les vis. Insérer les vis supérieures dans les charnières et les serrer.



12. Fermer la porte et vérifier que la gâche de la porte est alignée avec le piton de retenue de la porte. Au besoin, faire glisser le piton de retenue de la porte vers la gauche ou vers la droite à l'intérieur de l'encoche pour régler l'alignement.

## INSTRUCTIONS D'ENTRETIEN

- Nettoyer le filtre à charpie avant ou après chaque programme.
- Comment enlever la charpie accumulée :  
À l'intérieur de la caisse de la sècheuse :  
La charpie doit être enlevée tous les deux ans, ou plus souvent, selon l'utilisation de la sècheuse. Le nettoyage doit être effectué par une personne qualifiée.  
De l'intérieur du conduit d'évacuation :  
La charpie doit être enlevée tous les deux ans, ou plus souvent, selon l'utilisation de la sècheuse.
- Dégager l'espace autour de la sècheuse; aucune matière combustible, aucune essence ou d'autres vapeurs ou liquides inflammables ne doivent s'y trouver.
- Dégager l'emplacement de la sècheuse de façon à ce qu'il soit libre de tout élément susceptible d'obstruer le débit d'air de combustion et de ventilation.

### Si la sècheuse ne fonctionne pas, contrôler ce qui suit :

- La prise de courant est correctement alimentée.
- Le disjoncteur ne s'est pas déclenché et aucun fusible n'est grillé.
- La porte est fermée.
- Les commandes sont réglées à la position de marche ou « on ».
- Le programme a été sélectionné.
- Pour les sècheuses à gaz, vérifier que chaque robinet d'arrêt de gaz est ouvert.

## EN CAS DE BESOIN D'ASSISTANCE

Communiquez avec votre distributeur de produits de buanderie commerciaux autorisé. Pour localiser votre distributeur autorisé de buanderie à usage commercial ou pour toute question par Internet, consultez le [www.whirlpoolcommerciallaundry.com](http://www.whirlpoolcommerciallaundry.com).

Si vous ne parvenez pas à localiser un revendeur, le centre d'aide pour les appareils de buanderie à usage commercial répond à toute question qui n'aurait pas été abordée dans les Instructions d'installation au sujet du fonctionnement ou de l'entretien de la sècheuse.

Il suffit de composer le **1-866-698-2538** – l'appel est gratuit.

Lors de l'appel, vous aurez besoin des numéros de modèle et de série de la sècheuse. Ces deux numéros figurent sur la plaque signalétique située dans l'ouverture de la porte de la sècheuse.

## INSTRUCTIONS DE CONFIGURATION DES COMMANDES ÉLECTRONIQUES

### IMPORTANT

#### Circuits électroniques sensibles aux décharges électrostatiques

Le risque de décharge électrostatique est permanent. Une décharge électrostatique peut détruire ou détériorer les circuits électroniques de la machine. La nouvelle carte peut sembler fonctionner correctement après la réparation, mais une décharge électrostatique peut lui avoir fait subir des contraintes qui provoqueront une défaillance plus tard.

- Utiliser un bracelet de décharge électrostatique. Connecter le bracelet de décharge électrostatique au point vert de raccordement à la terre ou à une surface métallique non peinte à l'intérieur de l'appareil.  
– OU –  
Toucher avec le doigt à plusieurs reprises un point vert de raccordement à la terre ou une surface métallique non peinte à l'intérieur de l'appareil.
- Avant de retirer la pièce de son emballage, placer le sachet antistatique en contact avec un point vert de raccordement à la terre ou une surface métallique non peinte à l'intérieur de l'appareil.
- Éviter de toucher les composants électroniques ou les broches de contact; manipuler les circuits électroniques de la machine uniquement par les bords.
- Lors du emballage de circuits électroniques défectueux dans le sachet antistatique, observer les instructions ci-dessus.

### Informations générales d'utilisation

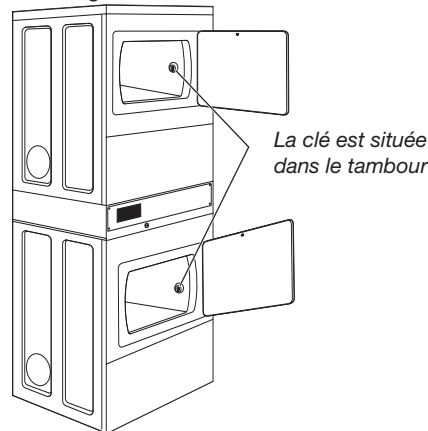
**SITUER LA CLÉ** – La clé est rangée avec les documents et les patins dans le tambour.

**NE PAS PERDRE** cette clé – La clé est utilisée pour accéder au mode d'entretien et permettre de régler la machine en vue de son utilisation. Les machines sont déjà configurées à l'usine :  
**MODÈLE À PIÈCE** (chute de pièces ou fonctionnement gratuit, voir la remarque) : Ces modèles sont configurés par défaut à l'usine pour lancer un programme de séchage de 30 minutes au coût de 1,50 \$ par programme. Le mode 6 est par défaut à 06. Le mode 7 est réglé par défaut à 05 à l'usine (durée maximum de 75 minutes).

Le tarif et la durée sont à la base configurés à l'aide des modes 6 et 7. Le mode 6 règle le nombre d'entrées de pièces de monnaie ou d'impulsions de carte de débit (p. ex., par défaut = 6 = 1,50 \$) et le mode 7 règle la durée du programme par entrée de pièces de monnaie ou impulsion de carte de débit. Le mode 7 est réglé par défaut à 5 à l'usine (durée maximum de 75 minutes).

Les modes 6 et 7 sont multipliés pour déterminer la durée du programme. (6 X 5 = 30 minutes par défaut par programme).

**REMARQUE** : Si on place le mode 6 sur 00, la machine fonctionnera gratuitement et le temps de programme le perçoit comme un 1. Alors, si le mode 6 = 00 et le mode 7 = 45, la durée du programme sera de 45 minutes et ne coûtera rien.  
**MODÈLES SANS PIÈCE** (gratuit ou prêt pour un lecteur de paiement) Ces modèles sont réglés par défaut au mode 6 = 00 et mode 7 = 45 à l'usine (durée maximum de 75 minutes). Il s'agit de machines à fonctionnement gratuit de 45 minutes.



**AFFICHAGE VIDE** – Ce problème indique que l'appareil est défectueux. Vérifier l'alimentation de la machine. (**Remarque** : Sur les modèles électriques, les sècheuses supérieures et inférieures comprennent des cordons d'alimentation séparés. Vérifier l'alimentation des deux sècheuses). Si la machine a la bonne alimentation électrique; accéder au mode Entretien et vérifier les codes de diagnostic.

**« 0 MINUTES » APPARAÎT SUR L’AFFICHAGE** – Cela indique que le programme précédent est terminé ou qu’une réinitialisation de la machine a été effectuée. L’ouverture de la porte restaurera l’affichage à l’état Vend Price (prix de vente) ou Available (disponible).

**Configurations d’usine par défaut** – La sècheuse est programmée à l’usine comme suit :

5 minutes de temps de séchage par pièce ou par impulsion de la carte de débit (monnaie 1)

Prix du séchage 1,50 \$ (programme fixe avec durée supplémentaire – Modèles avec pièces)

Prix du séchage 0,00 \$ (programme fixe – modèles avec lecteur de carte/sans pièce)

**DÉMARRAGE À CHAUD (après une panne de courant)** –

Quelques secondes après le rétablissement de l'alimentation, si un programme était en cours au moment de la coupure, « RESELECT CYCLE » (resélectionner programme) clignote sur l’affichage, indiquant qu’il faut appuyer sur une touche pour redémarrer la sècheuse.

**TARIFS** – Une fois la porte ouverte, puis fermée après la fin de programme, l’affichage indique le prix du programme (à moins d’un réglage pour un fonctionnement gratuit). Après l’insertion de pièces ou l’utilisation de la carte de débit, les portions de l’affichage changent pour guider l’utilisateur dans le lancement d’un programme.

**Il existe quatre (4) types de prix pour la sècheuse :**

**Prix de vente fixe**

Une sècheuse réglée pour un fonctionnement en programme fixe accepte uniquement les durées supplémentaires accumulées par paliers égaux à la durée d’un programme de séchage complet. Un maximum nombre de minutes peut être acheté; aucun crédit supplémentaire n’est accordé pour les pièces insérées lorsque les minutes maximales sont affichées.

**Prix par accumulation**

Si le prix est défini pour une pièce 1, alors le prix par accumulation est en vigueur (Programme fixe avec durée supplémentaire doit aussi être sélectionné). La durée du programme peut être augmentée avec une pièce à la fois jusqu’à une durée maximale de 75 minutes.

En prix par accumulation, tout l’argent sera crédité sur un programme en appuyant une fois sur une touche.

**Programme fixe avec prix de durée supplémentaire**

Une sècheuse réglée pour proposer une fonctionnalité de « durée supplémentaire » permet d’ajouter une durée à un programme de séchage existant par paliers égaux au nombre de minutes de durée de séchage par pièce ou d’impulsion de débit (pièce 1), jusqu’aux minutes maximales, quel que soit le coût nécessaire pour mettre en marche la sècheuse. Aucun crédit n’est accordé pour les pièces insérées ou les apports par carte de débit lorsque l’affichage indique les minutes maximales.

Modèles avec lecteur de carte/sans monnaie : En mode Débit amélioré, le prix d’appoint peut être réglé individuellement. (Voir VALEUR DE LA PIÈCE 2), et la durée de l’appoint est calculée en fonction de l’équation suivante :

$$\frac{\text{prix d'appoint}}{\text{prix du programme complet}} = \frac{\text{durée de l'appoint}}{\text{durée du programme complet}}$$

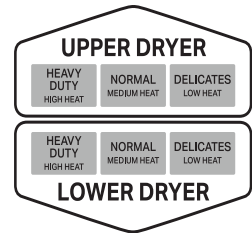
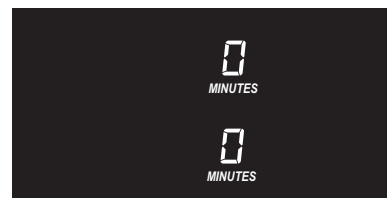
La compensation par incréments en cents ne s’applique pas aux achats d’appoint.

**PROGRAMME GRATUIT** – Cette fonction est établie en réglant le prix du programme sur zéro. Dans ce cas, « SELECT CYCLE » (sélectionner un programme) s’affiche à la place du prix du programme. En mode gratuit, un programme commencé se termine automatiquement à l’ouverture de la porte.

**COMPATIBLE CARTE DE DÉBIT** – Cette sècheuse est compatible avec les cartes de débit. Elle accepte divers systèmes de cartes de débit, mais est livrée SANS lecteur de carte de débit. Consulter le fabricant du lecteur de carte de débit pour une installation correcte avec la sècheuse. Dans les modèles convertis avec un système à carte de débit de 1<sup>re</sup> génération, les impulsions de débit représentent l’équivalent d’une pièce (pièce 1).

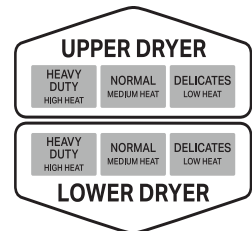
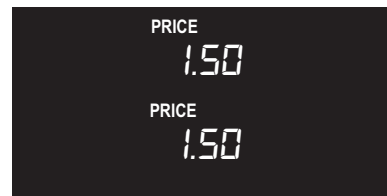
**Affichage** : Une fois la sècheuse installée et branchée pour la première fois, l’affichage indique « 0 minutes » (0 minute).

**Modèles avec lecteur de carte/sans monnaie**



Une fois la sècheuse branchée et sa porte ouverte puis fermée, l’affichage indique le prix. Sur les modèles avec lecteur de carte/sans monnaie réglés sur des programmes gratuits, l’affichage indique « SELECT CYCLE » (sélectionner programme) en clignotant (non illustré).

**Modèles à pièce**



**Procédures de configuration des commandes**

**IMPORTANT** : Lire toutes les instructions avant la mise en marche.

Les touches de réglage du tissu, associées à l’affichage numérique, servent à régler les commandes de la sècheuse. L’affichage peut contenir quatre chiffres ou lettres et un point décimal. Il indique les codes de paramétrage et les valeurs correspondantes pour la programmation de l’appareil.

**Utilisation des touches pour la programmation des commandes**

1. La touche HEAVY DUTY (service intense) sert à régler les valeurs associées au code de paramétrage. En appuyant sur la touche, la valeur change par incréments de un (1). Un réglage rapide est possible en maintenant la touche enfoncée.
  2. La touche NORMAL permet de parcourir les codes de paramétrage. Le code de paramétrage disponible suivant est atteint en appuyant sur cette touche. Pour passer aux codes de paramétrage suivants à un rythme supérieur à un (1) par seconde, maintenir la touche NORMAL enfoncée.
  3. La touche DELICATES (articles délicats) sélectionne les options ou les annule.
- Modèles à pièce : insérer la clé du panneau d’accès et le tourner en sens antihoraire.
  - Modèles avec lecteur de carte/sans monnaie : Si un lecteur de carte est installé, une fois le lecteur de carte de débit installé (conformément aux instructions du fabricant du lecteur), on peut entrer au mode de paramétrage en insérant une carte de paramétrage manuelle (fournie par le fabricant du lecteur) dans la fente d’insertion de carte. Si aucun lecteur de cartes n’est installé, insérer la clé du panneau d’accès et le tourner en sens antihoraire.

Si la carte de paramétrage manuelle n’est pas disponible, le mode de paramétrage manuel peut être accédé en tournant la clé du panneau d’accès.

La sècheuse est maintenant en mode réglage.

**REMARQUE** : Cette sècheuse est préréglée à l’usine et ne nécessite aucune programmation. Cependant, pour modifier les paramètres, suivre le guide des « Codes de paramétrage » ci-dessous.

- Cette sècheuse est préréglée en usine avec prix de programme fixe avec appoint.

## Codes de configuration

MODÈLES AVEC LECTEUR DE CARTE/SANS MONNAIE : les codes de paramétrage sont les mêmes que pour les modèles à pièce, sauf indication contraire.

**REMARQUE :** Les sélections de programmations s'appliquent aux deux sècheuses. Les sélections de sècheuses superposées sont accessibles en appuyant sur les touches LOWER DRYER (sècheuse du bas). Il est impossible de programmer différemment la sècheuse du haut de la sècheuse du bas ou le contraire.

Le code de paramétrage est indiqué par un ou deux caractères à gauche. La valeur du code de paramétrage est indiquée par deux ou trois caractères à droite.

**REMARQUE :** Les codes de configuration marqués d'un \* peuvent être transférés d'une machine à une autre (doivent être du même type de modèle) à l'aide d'une clé USB.

Code	Explication
606	<b>MONTANT NÉCESSAIRE POUR COMMENCER UN PROGRAMME NORMAL*</b>
Le mode 6 permet de régler le nombre de pièces ou le montant de débit que le client devra payer pour un programme (p. ex., si le mode 6 est réglé à 6, il faut 6 pièces ou entrées 1,50 % sur la carte de débit, pour mettre la machine en marche).	
606	Représente le montant en pièces ou le débit de 1 <sup>re</sup> génération de la carte de débit nécessaire pour commencer le programme normal. Voir le réglage de la valeur de la pièce 1. Le réglage par défaut réglé en usine des modèles avec pièces est 606 (demande 6 pièces ou un débit de 1 <sup>re</sup> génération). Le réglage par défaut réglé en usine des modèles sans pièce est 600 (gratuit). Utiliser la touche HEAVY DUTY (service intense) pour modifier de 0 à 39. Utiliser la touche Normal pour passer au prochain code.
705	<b>DURÉE DU PROGRAMME DE SÉCHAGE NORMAL*</b>
Le mode 7 règle la durée du programme en minutes. Il utilise le nombre de pièces ou un débit du mode 6 et le multiplie par le chiffre réglé au mode 7 pour calculer la durée du programme (p. ex., si le mode 6 = 6 et que le mode 7 = 5, alors la durée du programme est de 6 X 5 ou 30 minutes).	
705	Représente le nombre de minutes par pièce ou valeur de débit de 1 <sup>re</sup> génération d'un programme normal. Exemple – Réglage du montant de mise en marche d'un programme normal = 606 et Réglage de la durée de séchage d'un programme normal = 705, puis 6 X 5 = 30. La durée d'un programme normal est 30 minutes. Le réglage d'usine par défaut est 705 (5 minutes par pièce/montant débité). Peut être réglé de 01 à 75 en utilisant la touche HEAVY DUTY (service intense). Utiliser la touche Normal pour passer au prochain code.
800	<b>TYPE DE PRIX DE LA SÈCHEUSE*</b>
Le mode 8 permet de définir un temps supplémentaire pour que l'utilisateur puisse garder ses vêtements et poursuivre le programme (c'est-à-dire que si le mode est réglé sur 00, le client peut profiter d'un temps de programme supplémentaire pour chaque pièce de monnaie ou débit ajoutée). La durée supplémentaire est basé sur la valeur du mode 7. Si le mode 8 est réglé sur FC, aucun ajout n'est permis.	
800	Programme fixe avec appoint.
8FC	Programme fixe. Pour choisir ce réglage, appuyer sur la touche DELICATES (articles délicats). MODÈLES AVEC LECTEUR DE CARTE/SANS MONNAIE SEULEMENT (PR) : Valeur pré-réglée en usine pour FC. MODÈLE À PIÈCE : Réglé en usine sur 00. <b>■</b> Appuyer sur le bouton NORMAL (tiède) une fois pour passer au code suivant.

Code	Explication
9 00	<b>OPTION DE COMPTAGE DES PROGRAMMES *</b> Cette option est soit NON SÉLECTIONNÉE (« OFF »), soit SÉLECTIONNÉE (« ON »).
Le mode 9 permet d'effectuer le suivi du nombre de programmes effectué par la machine.	
<b>Si le compteur de programmes (9 0C) est sélectionné, le calcul du total est le suivant :</b>	
1 00	Programmes en CENTAINES $1 \underline{02} = 200$
2 00	Programmes en UNITÉS $2 \underline{25} = 25$
TOTAL DE PROGRAMMES = 225	
AFFICHAGE SEULEMENT : l'annulation n'est pas possible.	
<b>■</b> Appuyer sur le bouton NORMAL (tiède) une fois pour passer au pcode suivant.	
Le mode 1.00 indique le montant collecté par la machine, pour permettre de garder le compte de cette information.	
1. 00	<b>OPTION DE COMPTAGE DE MONNAIE *</b> Cette option est soit NON SÉLECTIONNÉE (« OFF »), soit SÉLECTIONNÉE (« ON »).
1. 00	Non sélectionnée : « OFF »
1. 0C	Sélectionnée : « ON » <b>■</b> Appuyer sur la touche DELICATES (articles délicats) trois fois de suite pour sélectionner « ON » et trois autres fois de suite pour l'annuler (non sélectionnée « OFF »). Le compteur se remet à zéro en passant de l'option « ON » (activée) à l'option « OFF » (désactivée).
1. C0	Sélectionnée : « ON » ; ne peut pas être désélectionnée. <b>■</b> Pour sélectionner l'option « ON » sans possibilité de l'annuler, sélectionner d'abord « ON », puis, en moins de deux secondes, appuyer deux fois sur la touche DELICATES (articles délicats) et une fois sur la touche HEAVY DUTY (service intense), puis quitter le mode de configuration. <b>■</b> Appuyer sur le bouton NORMAL (tiède) une fois pour passer au pcode suivant.
<b>Si le compteur de monnaie (1.0C ou 1.C0) est sélectionné, le calcul du total est le suivant :</b>	
3 00	CENTAINES de dollars $3 \underline{01} = 100,00 \$$
4 00	Dollars en UNITÉS $4 \underline{68} = 68,00 \$$
5 00	Valeur en MONNAIE $5 \underline{75} = 00,75 \$$
TOTAL = 168,75 \$	
Le mode 2.00 permet de régler un tarif spécial, par exemple, un tarif différent ou une durée différente à une heure précise d'une journée précise.	
2.00	<b>OPTIONS DE TARIF SPÉCIAL</b> Cette option est soit NON SÉLECTIONNÉE (« OFF »), soit SÉLECTIONNÉE (« ON »).
2. 00	Non sélectionnée (« OFF »), et le code suivant sera A.00.
2. SP	Sélectionnée : « ON » <b>■</b> Appuyer sur la touche DELICATES (articles délicats) pour modifier cette sélection.
<b>Si l'OPTION DE TARIF SPÉCIAL est sélectionnée, les codes « 3.XX » à « 9.XX » sont accessibles.</b>	
<b>■</b> Appuyer sur le bouton NORMAL (tiède) une fois pour passer au pcode suivant.	
<b>OPTIONS 3.XX – 9.XX À UTILISER EN CAS DE SÉLECTION DE TARIF SPÉCIAL. Si la machine n'est pas en mode de tarif spécial, ces options ne sont pas prises en compte et les réglages reviennent aux modes 6 et 7 par défaut.</b>	

Code	Explication
3.06	<b>PRIX DU PROGRAMME SPÉCIAL</b>
3.06	Représente le nombre de pièces ou un débit pour mettre en marche la sécheuse; peut être réglé de 0 à 39. (voir VALEUR DE LA PIÈCE 1, code b.05.) Avancer de 0 à 39 en appuyant sur le bouton HEAVY DUTY (SERVICE INTENSE). Valeur par défaut de 6 pièces ou débit = 1,50 \$. MODÈLES PR UNIQUEMENT : Valeur pré-réglée en usine pour 0 pièce ou débit de 1 <sup>re</sup> génération. ■ Appuyer sur le bouton NORMAL (TIÈDE) une fois pour passer au code suivant.
4.05	<b>DURÉE DU SÉCHAGE SPÉCIAL</b>
4.05	Représente le nombre de minutes par pièce (voir valeur de pièce 1). ■ La valeur par défaut en usine est de 5 minutes par pièce. Exemple : 6 pièces ou débit x 5 minutes = 30 minutes. ■ En appuyant sur le bouton HEAVY DUTY (SERVICE INTENSE), la valeur peut être réglée entre 1 et minutes maximales. ■ Appuyer sur le bouton NORMAL (TIÈDE) une fois pour passer au code suivant.
5.00	<b>MINUTES DE L'HORLOGE</b>
5.00	Paramétrage des minutes de l'horloge; choisir une valeur entre 0 et 59 minutes en appuyant sur la touche HEAVY DUTY (service intense). ■ Appuyer sur le bouton NORMAL (tiède) une fois pour passer au pcode suivant.
6.00	<b>HEURES DE L'HORLOGE</b> <b>REMARQUE</b> : Utilise le format sur 24 heures.
6.00	Paramétrage de l'heure de l'horloge; choisir une valeur entre 0 et 23 heures en appuyant sur la touche HEAVY DUTY (service intense). ■ Appuyer sur le bouton NORMAL (tiède) une fois pour passer au pcode suivant.
7.00	<b>HEURE DE DÉBUT DU TARIF SPÉCIAL</b> <b>REMARQUE</b> : Utilise le format sur 24 heures.
7.00	Représente l'heure de début, entre 0 et 23 heures. ■ Sélectionner l'heure de mise en marche en appuyant sur la touche HEAVY DUTY (service intense). ■ Appuyer sur le bouton NORMAL (tiède) une fois pour passer au pcode suivant.
8.00	<b>HEURE DE FIN DU TARIF SPÉCIAL</b> <b>REMARQUE</b> : Utilise le format sur 24 heures.
8.00	Représente l'heure de fin, entre 0 et 23 heures. ■ Sélectionner l'heure d'arrêt en appuyant sur la touche HEAVY DUTY (service intense). ■ Appuyer sur le bouton NORMAL (tiède) une fois pour passer au pcode suivant.
9.10	<b>JOUR À TARIF SPÉCIAL</b>
9.10	Représente le jour de la semaine et indique si un prix spécial est sélectionné pour ce jour. Un nombre suivi de « 0 » indique l'absence de sélection pour ce jour particulier (9.10). Un nombre suivi de « S » indique une sélection pour ce jour particulier (9,1S). Les jours de la semaine (1 à 7) sont sélectionnés en appuyant sur la touche HEAVY DUTY (service intense). Appuyer une fois sur la touche DELICATES (articles délicats) pour sélectionner le prix spécial pour chaque jour choisi.

Code	Explication																								
En quittant le code de paramétrage « 9 », l'affichage doit indiquer le jour actuel de la semaine :																									
	<table border="1"> <thead> <tr> <th>AFFICHAGE</th> <th>JOUR DE LA SEMAINE</th> <th>CODE (sélectionné)</th> </tr> </thead> <tbody> <tr> <td>10</td> <td>Jour 1 = dimanche</td> <td>1S</td> </tr> <tr> <td>20</td> <td>Jour 2 = lundi</td> <td>2S</td> </tr> <tr> <td>30</td> <td>Jour 3 = mardi</td> <td>3S</td> </tr> <tr> <td>40</td> <td>Jour 4 = mercredi</td> <td>4S</td> </tr> <tr> <td>50</td> <td>Jour 5 = jeudi</td> <td>5S</td> </tr> <tr> <td>60</td> <td>Jour 6 = vendredi</td> <td>6S</td> </tr> <tr> <td>70</td> <td>Jour 7 = samedi</td> <td>7S</td> </tr> </tbody> </table>	AFFICHAGE	JOUR DE LA SEMAINE	CODE (sélectionné)	10	Jour 1 = dimanche	1S	20	Jour 2 = lundi	2S	30	Jour 3 = mardi	3S	40	Jour 4 = mercredi	4S	50	Jour 5 = jeudi	5S	60	Jour 6 = vendredi	6S	70	Jour 7 = samedi	7S
AFFICHAGE	JOUR DE LA SEMAINE	CODE (sélectionné)																							
10	Jour 1 = dimanche	1S																							
20	Jour 2 = lundi	2S																							
30	Jour 3 = mardi	3S																							
40	Jour 4 = mercredi	4S																							
50	Jour 5 = jeudi	5S																							
60	Jour 6 = vendredi	6S																							
70	Jour 7 = samedi	7S																							
■ Appuyer sur le bouton NORMAL (tiède) une fois pour passer au pcode suivant.																									
A. 00	<b>OPTION D'AFFICHAGE DU COFFRE *</b> Cette option est soit NON SÉLECTIONNÉE (« OFF »), soit SÉLECTIONNÉE (« ON »).																								
A. 00 Le mode A, si réglé sur SC, permet d'afficher le compte de la monnaie ou du nombre de programmes lorsque la boîte à monnaie est retirée. Non sélectionnée : « OFF »																									
A. SC	Sélectionnée : « ON » ■ Appuyer sur la touche DELICATES (articles délicats) pour modifier cette sélection. Lorsque cette option est sélectionnée, le compteur de monnaie ou de programmes peut être affiché (si les options de compteur correspondantes sont sélectionnées) lorsque la boîte à monnaie est retirée. ■ Appuyer sur le bouton NORMAL (tiède) une fois pour passer au pcode suivant.																								
b. 05	<b>VALEUR DE LA PIÈCE 1 *</b>																								
Cela représente la valeur de la pièce de monnaie 1 en nombre d'incrément de 0,05 \$ de la pièce de monnaie de valeur la plus grande. 5 x 0,05 \$ = 0,25 \$.																									
b. 05	■ En appuyant sur la touche HEAVY DUTY (SERVICE INTENSE), l'option de 1 à 199 est disponible pour la quantité en incréments de 0,05 \$. ■ Appuyer sur le bouton NORMAL (tiède) une fois pour passer au pcode suivant.																								
C. 20	<b>VALEUR DE LA PIÈCE 2 *</b>																								
Cela représente la valeur de la pièce de monnaie 2 en nombre d'incrément de 0,05 \$ de la pièce de monnaie de valeur la plus grande. 20 x 0,05 \$ = 1,00 \$.																									
C. 20	<b>MODÈLES PR</b> : Valeur par défaut définie en usine sur 0,25 \$. Pour le modèle utilisant le mode débit amélioré, ce champ représente la valeur de la durée supplémentaire en pièces de 0,05 \$. ■ En appuyant sur la touche HEAVY DUTY (SERVICE INTENSE), l'option de 1 à 199 est disponible pour la quantité en incréments de 0,05 \$. ■ Appuyer sur le bouton NORMAL (tiède) une fois pour passer au pcode suivant.																								
E. 00	<b>OPTIONS AJOUT DE PIÈCES *</b> Cette option est soit NON SÉLECTIONNÉE (« OFF »), soit SÉLECTIONNÉE (« ON »). Avec cette option, l'affichage client indique le nombre de pièces (pièce 1) à insérer plutôt que le montant en dollars et cents. Le nombre affiché change à mesure que les pièces sont insérées.																								

Code	Explication
	Le mode E permet de modifier l'écran pour qu'il affiche le nombre de pièces qu'il reste à ajouter pour lancer un programme ou le tarif d'un programme.
E. 00	Non sélectionnée : « OFF »
E. AC	Sélectionnée : « ON » <ul style="list-style-type: none"> <li>■ Appuyer sur la touche DELICATES (articles délicats) trois fois de suite pour modifier cette sélection.</li> </ul> <b>MODÈLES AVEC LECTEUR DE CARTE/SANS MONNAIE SEULEMENT</b> : Dans le mode Débit amélioré, cette option n'est pas accessible. <ul style="list-style-type: none"> <li>■ Appuyer sur le bouton NORMAL (tiède) une fois pour passer au pcode suivant.</li> </ul>
J. Cd	<b>MODE DE PAIEMENT (OPTIONS PIÈCES/DÉBIT)*</b>
	Le mode J sert à choisir la commande. Un modèle PD = JCd (par défaut) et un modèle PR = _d (par défaut) pour le débit.
J. Cd	Modes pièces et carte de débit sélectionnés. Appuyer sur la touche DELICATES (articles délicats) trois fois de suite pour modifier cette sélection.
J. C_	Mode pièces sélectionné, mode carte de débit désactivé. Appuyer sur la touche DELICATES (articles délicats) trois fois de suite pour modifier cette sélection.
J._d	Mode carte de débit sélectionné, mode pièces désactivé. Appuyer sur la touche DELICATES (articles délicats) trois fois de suite pour modifier cette sélection.
J. Ed	L'option débit amélioré est automatiquement sélectionnée lorsqu'un lecteur de cartes de 2° génération est installé dans la sècheuse. L'option « Ed » ne peut pas être sélectionnée ou désactivée manuellement. <ul style="list-style-type: none"> <li>■ Appuyer sur le bouton NORMAL (tiède) une fois pour passer au pcode suivant.</li> </ul>
L. 00	<b>OPTION DE SUPPRESSION DU PRIX *</b> Cette option est soit NON SÉLECTIONNÉE (« OFF »), soit SÉLECTIONNÉE (« ON »).
	Le mode L permet de gérer l'affichage ADD si plus de monnaie est requis pour lancer un programme ou pour indiquer ce qu'il reste après le paiement si L = PS. (Il affiche toujours le solde de la carte, si applicable.)
L. 00	Non sélectionnée : « OFF »
L. PS	Sélectionnée : « ON » <ul style="list-style-type: none"> <li>■ Appuyer sur la touche DELICATES (articles délicats) pour modifier cette sélection.</li> <li>■ Appuyer sur le bouton NORMAL (tiède) une fois pour passer au pcode suivant.</li> </ul>
	Le mode n permet d'annuler le crédit après 30 minutes, ce qui signifie que la machine ne conserva pas en mémoire un crédit pour une durée de plus de 30 minutes lorsque réglée sur CE.
n. CE	<b>OPTION D'ANNULATION D'AVOIR *</b> Cette option est soit NON SÉLECTIONNÉE (« OFF »), soit SÉLECTIONNÉE (« ON »). Lorsque cette option est sélectionnée, l'argent détenu en dépôt sans ajout supplémentaire ou activité de programme pendant 30 minutes est effacé.
n. 00	Non sélectionnée : « OFF »
n. CE	Sélectionnée : « ON » <ul style="list-style-type: none"> <li>■ Appuyer sur la touche DELICATES (articles délicats) pour modifier cette sélection.</li> <li>■ Appuyer sur le bouton NORMAL (tiède) une fois pour passer au pcode suivant.</li> </ul>

## CONFIGURATION DES COMMANDES PAR USB

Pour accéder au menu de configuration USB, accéder au code de configuration 2.xx (tarif spécial en option). Appuyer sur la touche HEAVY DUTY (service intense) pour activer le sous-menu du mode d'aide. Le premier sous-mode du mode d'aide est l'option USB. Appuyer à tout moment sur la touche HEAVY DUTY (service intense) pour quitter le mode d'aide.

Sous-mode	Description	Remarque
USB	Sur cet écran, appuyer sur la touche HEAVY DUTY (service intense) pour accéder au menu USB. Le menu USB permet la mise à jour du logiciel et l'importation/exportation des paramètres de la machine.	Permet à l'utilisateur d'accéder au menu USB. Voir la section MENU USB pour plus d'infos.

## MENU USB

Pour accéder au menu USB, passer par le mode Help (aide). Sur l'écran USB, appuyer sur la touche HEAVY DUTY (service intense). Pour avancer dans le sous-menu USB, utiliser la touche NORMAL. La touche DELICATES (articles délicats) est la touche Select (sélectionner). Appuyer à tout moment sur la touche HEAVY DUTY (service intense) pour quitter le menu USB.

Pour effectuer les fonctionnalités USB, aucun programme ne doit fonctionner sur les deux sècheuses, aucun paiement ne doit être traité et les portes des deux sècheuses doivent être ouvertes.

Voir la page 49 pour connaître l'emplacement du port USB sur l'appareil et les instructions pour installer une clé USB sur l'appareil et pour retirer une clé USB de l'appareil.

Code	Explication
U0.00	Clé USB insérée? (État uniquement).
U0.00	Ce code s'affiche si la clé USB n'est PAS détectée.
U0.01	Ce code s'affiche si la clé USB est détectée.
Appuyer une fois sur la touche NORMAL pour passer au code suivant.	
U1.00	Mode de programmation.
U1.00	Ce code s'affiche si la clé USB n'est PAS détectée.
U1.01	Ce code s'affiche si la clé USB est détectée. Si l'on souhaite reprogrammer les commandes, appuyer 3 fois sur la touche DELICATES (articles délicats). L'affichage bascule entre U1.01 et ProG, puis --.-- pendant la programmation en cours. Patienter jusqu'à la fin du processus, cela peut prendre plusieurs minutes. Une fois le logiciel téléchargé avec succès sur la machine, le contrôle peut prendre plusieurs minutes pour se réinitialiser. Après la réinitialisation complète, la machine revient en mode client ou en mode service en fonction de l'état du commutateur de service.
DonE (terminé)	L'affichage bascule entre U1.01 et donE pendant 5 secondes une fois la programmation terminée avec succès. L'affichage reviendra ensuite au menu d'entretien principal.
FCE4 ou FCE5	Si la programmation du logiciel a échoué, l'affichage bascule entre U1.01 et FCE4 ou FCE5 pendant 5 secondes. L'affichage reviendra ensuite au menu d'entretien principal.
Appuyer une fois sur la touche NORMAL pour passer au code suivant.	



Code	Explication
U2.00	Exporter les paramètres de la machine sur une clé USB.
U2.00	Ce code s'affiche si la clé USB n'est pas détectée.
U2.01	Ce code s'affiche si la clé USB est détectée. Si l'on souhaite exporter les paramètres de la machine vers une clé USB, appuyer 3 fois sur la touche DELICATES (articles délicats). L'affichage bascule entre U2.01 et ProG, puis --- pendant l'exportation en cours.
DonE (terminé)	L'affichage bascule entre U2.01 et donE pendant 5 secondes une fois l'exportation terminée avec succès. L'affichage reviendra ensuite au menu d'entretien principal.
FCE4 ou FCE5	Si l'exportation a échoué, l'affichage bascule entre U2.01 et FCE4 ou FCE5 pendant 5 secondes. L'affichage reviendra ensuite au menu d'entretien principal.
Appuyer une fois sur la touche NORMAL pour passer au code suivant.	
U3.00	Importer les paramètres de la machine de la clé USB.
U3.00	Ce code s'affiche si la clé USB n'est pas détectée.
U3.01	Ce code s'affiche si la clé USB est détectée. Si l'on souhaite importer les paramètres de la machine de la clé USB vers la machine, appuyer 3 fois sur la touche DELICATES (articles délicats). L'affichage bascule entre U3.01 et ProG, puis --- pendant l'importation en cours.
DonE (terminé)	L'affichage bascule entre U3.01 et donE pendant 5 secondes une fois l'importation terminée avec succès. L'affichage reviendra ensuite au menu d'entretien principal.
FCE4 ou FCE5	Si l'importation a échoué, l'affichage bascule entre U3.01 et FCE4 ou FCE5 pendant 5 secondes. L'affichage reviendra ensuite au menu d'entretien principal.
Appuyer une fois sur la touche NORMAL pour passer au code suivant.	
U4.00	Exporter les données d'audit de la machine sur une clé USB.
U4.00	Exporter les données d'audit de la machine sur une clé USB.
U4.01	Ce code s'affiche si la clé USB est détectée. Si l'on souhaite exporter les données d'audit de la machine sur une clé USB, appuyer 3 fois sur la touche DELICATES (articles délicats). L'affichage bascule entre U4.01 et ProG, puis U2.01 pendant l'exportation en cours.
DonE (terminé)	L'affichage bascule entre U4.01 et donE pendant 5 secondes une fois l'exportation terminée avec succès. L'affichage reviendra ensuite au menu d'entretien principal.
FCE4 ou FCE5	Si l'exportation a échoué, l'affichage bascule entre U4.01 et FCE4 ou FCE5 pendant 5 secondes. L'affichage reviendra ensuite au menu d'entretien principal.
Appuyer une fois sur la touche NORMAL pour passer au code suivant.	

## FIN DES PROCÉDURES DE PARAMÉTRAGE

### QUITTER LE MODE DE PARAMÉTRAGE

Tourner la clé du panneau d'accès en la ramenant à sa position d'origine.

## ACCÈS AU PORT USB

Si une clé USB est utilisée pour modifier les réglages des commandes électroniques

### ⚠ AVERTISSEMENT



#### Risque de choc électrique

**Déconnecter la source de courant électrique avant l'entretien.**

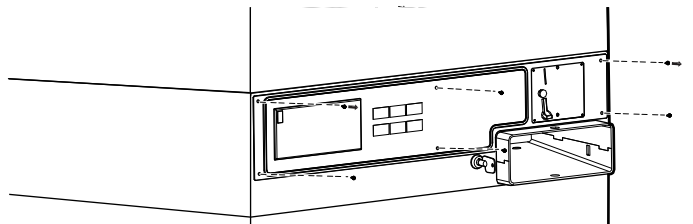
**Replacer pièces et panneaux avant de faire la remise en marche.**

**Le non-respect de ces instructions peut causer un décès ou un choc électrique.**

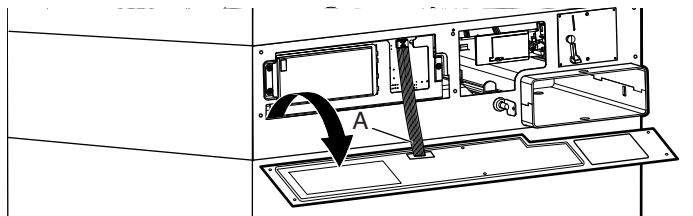
### Pour installer ou retirer une clé USB

Le port USB est situé sur la carte de commande de l'affichage.

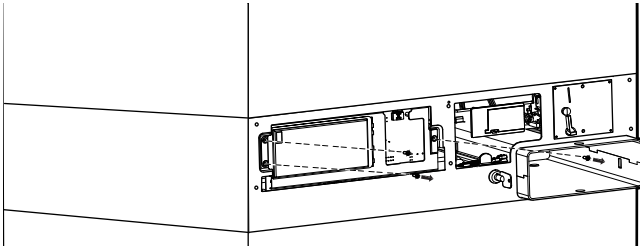
1. Retirer les six vis pour permettre au panneau de façade pour tirer et faire pivoter vers l'extérieur du collier. Ne pas jeter les vis du panneau de façade.



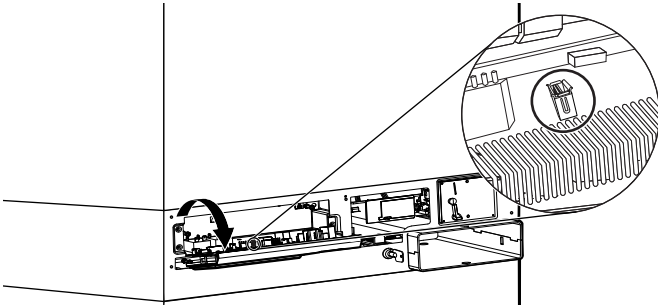
2. Retirer les six vis pour permettre au panneau de façade pour tirer et faire pivoter vers l'extérieur du collier. Ne pas jeter les vis du panneau de façade.



3. Retirer trois vis du support pour permettre à la carte de commande de l'affichage et au support de tourner vers l'extérieur du collier. Ne pas jeter les vis.



4. Faire tourner la carte de commande de l'écran et le support vers l'extérieur pour permettre l'accès à la carte de commande de l'interface utilisateur.



5. Installer la clé USB dans le port USB ou retirer la clé USB du port USB.
6. Replacer la carte de commande de l'affichage et le support en utilisant les trois vis précédemment enlevées.
7. Replacer le panneau de façade et les six vis précédemment enlevés.

## **⚠ AVERTISSEMENT**



### **Risque de choc électrique**

**Brancher sur une prise à 3 alvéoles reliée à la terre.**

**Ne pas enlever la broche de liaison à la terre.**

**Ne pas utiliser un adaptateur.**

**Ne pas utiliser un câble de rallonge.**

**Le non-respect de ces instructions peut causer un décès, un incendie ou un choc électrique.**

8. Rebrancher l'alimentation.

# SEGURIDAD DE LA SECADORA

## Su seguridad y la seguridad de los demás es muy importante.

Hemos incluido muchos mensajes importantes de seguridad en este manual y en su electrodoméstico. Lea y obedezca siempre todos los mensajes de seguridad.



Este es el símbolo de alerta de seguridad.

Este símbolo le llama la atención sobre peligros potenciales que pueden ocasionar la muerte o una lesión a usted y a los demás.

Todos los mensajes de seguridad irán a continuación del símbolo de advertencia de seguridad y de la palabra "PELIGRO" o "ADVERTENCIA". Estas palabras significan:

**⚠ PELIGRO**

Si no sigue las instrucciones de inmediato, usted puede morir o sufrir una lesión grave.

**⚠ ADVERTENCIA**

Si no sigue las instrucciones, usted puede morir o sufrir una lesión grave.

Todos los mensajes de seguridad le dirán el peligro potencial, le dirán cómo reducir las posibilidades de sufrir una lesión y lo que puede suceder si no se siguen las instrucciones.



## ADVERTENCIA - "Riesgo de Incendio"

- La instalación de la secadora de ropa debe ser realizada por un técnico calificado.
- Instalar la secadora de ropa de acuerdo con las instrucciones del fabricante.
- No instalar la secadora de ropa con materiales de ventilación de plástico. Si se instala ducto flexible metálico (tipo aluminio), éste debe ser de un tipo específico que sea avalado por el fabricante como apto para el uso con secadora de ropa. Los materiales de ventilación flexibles son bien conocidos por colapsarse, se aplastan fácilmente y retienen pelusa. Estas condiciones bloquearán el flujo de aire de la secadora e incrementarán el riesgo de incendio.
- Para reducir el riesgo de lesiones graves o muerte, siga todas las instrucciones de instalación.
- Guarde estas instrucciones.

■ Se recomienda que el propietario coloque las instrucciones para el uso del cliente en un lugar a la vista, en caso de que el cliente sienta olor a gas. Esta información deberá obtenerse con su proveedor de gas.

■ Coloque a la vista la siguiente advertencia.

### PARA SU SEGURIDAD

No almacene ni use gasolina u otros vapores y líquidos inflamables cerca de este ni ningún otro electrodoméstico.

### INSTRUCCIONES IMPORTANTES DE SEGURIDAD

Antes de guardar o descartar su vieja secadora, quítele la puerta.

**GUARDE ESTAS INSTRUCCIONES**

# SEGURIDAD DE LA SECADORA

## ADVERTENCIA:

### PELIGRO DE INCENDIO O EXPLOSIÓN

Si no se siguen las advertencias de seguridad con exactitud, se podrían producir lesiones graves, muertes o daños a la propiedad.

- No almacene o use gasolina u otros líquidos y vapores inflamables cerca de éste u otro aparato electrodoméstico.
- PASOS QUE USTED DEBE SEGUIR SI HUELE A GAS:
  - No trate de encender ningún aparato electrodoméstico.
  - No toque ningún interruptor eléctrico; no use ningún teléfono en su edificio.
  - Desaloje a todos los ocupantes del cuarto, edificio o área.
  - Llame inmediatamente a su proveedor de gas desde el teléfono de un vecino. Siga las instrucciones de su proveedor de gas.
  - Si usted no puede comunicarse con su proveedor de gas, llame al departamento de bomberos.
- La instalación y el servicio deben ser efectuados por un instalador calificado, una agencia de servicio o por el proveedor de gas.

**ADVERTENCIA:** Las pérdidas de gas no siempre se pueden detectar por el olfato.

Los proveedores de gas recomiendan que usted use un detector de gas aprobado por UL (Laboratorio de normalización) o CSA (Asociación canadiense de seguridad).

Para obtener más información, póngase en contacto con su proveedor de gas.

Si se detecta una fuga de gas, siga las instrucciones de "Pasos que usted debe seguir si huele a gas".

En el estado de Massachusetts se aplican las siguientes instrucciones de instalación:

- Las instalaciones y reparaciones se deben efectuar por un contratista, plomero o gasista calificado o licenciado por el estado de Massachusetts.
- Reemplace con dispositivos de cierre aceptables: las llaves de gas y las válvulas de bola instaladas para el uso deben estar en la lista.
- Si se usa un conector de gas flexible no debe exceder de 4 pies (121,9 cm).

**IMPORTANTE:** La instalación de gas debe cumplir con los códigos locales y en la ausencia de códigos locales, con el Código nacional de gas combustible (National Fuel Gas Code), ANSI Z223.1/NFPA 54 o el Código de instalación de gas natural y propano, CSA B149.1.

La secadora deberá estar conectada a tierra de acuerdo con los códigos locales, o en la ausencia de códigos locales, con el Código nacional eléctrico (National Electrical Code), ANSI/NFPA 70 o el Código canadiense de electricidad (Canadian Electrical Code), Parte 1, CSA C22.1.

## ADVERTENCIA

### Peligro de incendio

Si no se siguen las advertencias de seguridad con exactitud, se podrían producir lesiones graves, muertes o daños a la propiedad.

No instale un ventilador de refuerzo en el conducto de escape.

Instale todas las secadoras de ropa de acuerdo con las instrucciones de instalación del fabricante de las secadoras.

# SEGURIDAD DE LA SECADORA

## INSTRUCCIONES DE SEGURIDAD IMPORTANTES

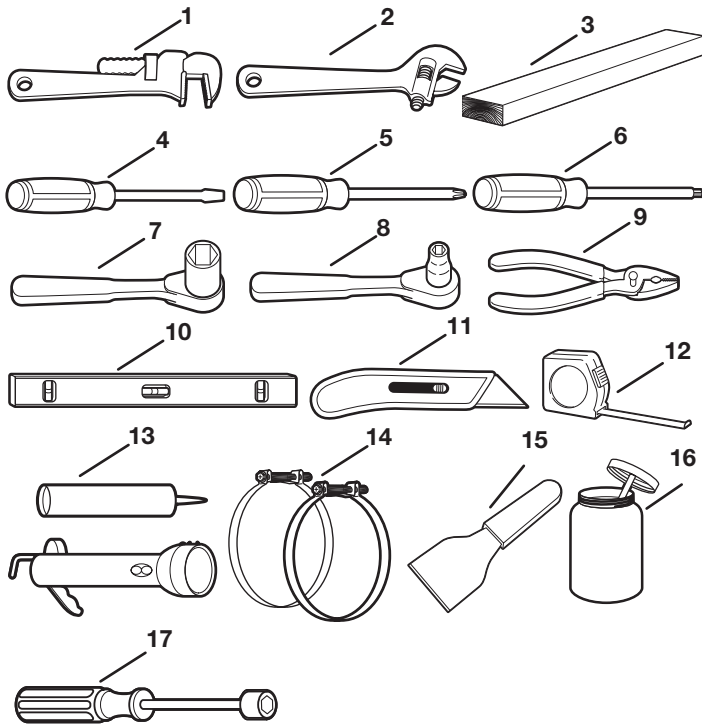
**ADVERTENCIA:** A fin de reducir el riesgo de incendio, choque eléctrico o de daño a las personas que usen la secadora, deben seguirse las precauciones básicas, incluidas las siguientes:

- Lea todas las instrucciones antes de usar la secadora.
- Esta secadora se ha diseñado solamente para secar ropa y materiales textiles que hayan sido lavados en agua. No la use para ningún otro propósito.
- **ADVERTENCIA:** Si usted siente olor a gas, no use la secadora ni ningún equipo eléctrico que esté cerca. Advierta a otras personas que deben despejar el área. Comuníquese inmediatamente con el dueño de la secadora.
- No coloque objetos expuestos a aceites para cocinar en su secadora. Los objetos expuestos a aceites para cocinar pueden contribuir a una reacción química que podría causar que una carga se incendie.
- Para reducir el riesgo de incendio debido a cargas contaminadas, la parte final de un ciclo en la secadora se produce sin calor (período de enfriamiento). Evite detener una secadora antes de que termine el ciclo de secado a menos que todos los objetos se saquen y separen rápidamente de modo que el calor se disipe.
- No seque artículos que ya se hayan limpiado, lavado, remojado o manchado con gasolina, disolventes de limpieza en seco, u otras sustancias inflamables o explosivas ya que despiden vapores que pueden encenderse o causar una explosión.
- No seque en la secadora artículos que no hayan sido lavados.
- Riesgo de asfixia y lesiones por atrapamiento: No permita que los niños jueguen sobre o dentro del electrodoméstico. Es necesaria la cuidadosa vigilancia de los niños siempre que estén cerca cuando se use el electrodoméstico.
- Quite la puerta de la secadora al compartimiento de secado antes de ponerla fuera de funcionamiento o de descartarla.
- No introduzca las manos en la secadora cuando el tambor está en movimiento.
- No abra la puerta mientras la secadora esté funcionando. Se detendrá.
- No instale ni almacene la secadora en un lugar expuesto al agua o el clima.
- No altere los controles.
- No use piezas de repuesto que no hayan sido recomendadas por el fabricante (por ejemplo, piezas hechas en casa con una impresora 3D).
- Limpie el filtro de pelusa antes o después de cada carga.
- No use esta secadora sin el filtro de pelusa en su lugar.
- No repare o reemplace ninguna pieza de la secadora ni trate de repararla a menos que esto se recomiende específicamente en estas instrucciones de instalación o en las instrucciones de reparación publicadas para el usuario que usted comprenda y solo si cuenta con la experiencia necesaria para llevar a cabo dicha reparación.
- No utilice suavizantes de telas o productos para eliminar la estática de prendas a menos que lo recomiende el fabricante del suavizante de telas o del producto en uso.
- No utilice calor para secar prendas que contengan goma espuma o materiales con textura similar a la goma.
- La parte final de un ciclo de rotación en la secadora ocurre sin calor (ciclo de enfriamiento) para asegurarse de que los artículos se dejen a una temperatura que asegure que no se dañarán.
- **ADVERTENCIA:** Nunca detenga una secadora que esté girando antes de que se termine el ciclo de secado, a menos que todos los artículos se hayan sacado y separado, para que se disipe el calor. (Evite los riesgos de combustión espontánea).
- Mantenga el área alrededor de la abertura de ventilación y las áreas adyacentes a esta abertura sin pelusas, polvo o tierra.
- La parte interior de la secadora y el ducto de ventilación de ésta se deben limpiar periódicamente por personal de servicio calificado.
- Consulte "Requisitos eléctricos" para obtener las instrucciones de conexión a tierra.
- No instale un ventilador de refuerzo en el ducto de escape.
- **NOTA:** La advertencia del ventilador de refuerzo no se aplica a las secadoras de ropa diseñadas para ser instaladas en un sistema de secadora de ropa múltiple, con un sistema de conducto de escape diseñado que se instala según las pautas del fabricante de dicha secadora.

## GUARDE ESTAS INSTRUCCIONES

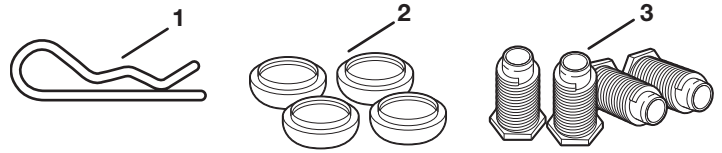
# HERRAMIENTAS Y PIEZAS

## Herramientas necesarias:



1. Llave para tubos de 8" (200 mm) o 10" (250 mm)
2. Llave ajustable de 8" (200 mm) o 10" (250 mm) que se abra a 1" (25 mm)
3. Bloque de madera de 27" (686 mm)
4. Destornillador de cabeza plana
5. Destornillador Phillips
6. Destornillador o broca de seguridad TORX® T20†
7. Llave de cubo de cabeza hexagonal de 1" (25 mm)
8. Llave de cubo de 5/16" (8 mm)
9. Pinzas que se abran a 1<sup>9</sup>/<sub>16</sub>" (39 mm)
10. Nivel
11. Cuchillo multiusos
12. Regla o cinta para medir
13. Pistola y masilla para calafateo (para instalar el nuevo ducto de escape)
14. Abrazaderas para ducto de ventilación
15. Cuchillo para masilla
16. Compuesto para unión de tuberías que sea adecuado para el tipo de gas
17. Sacatuercas de 1/4" (6 mm)

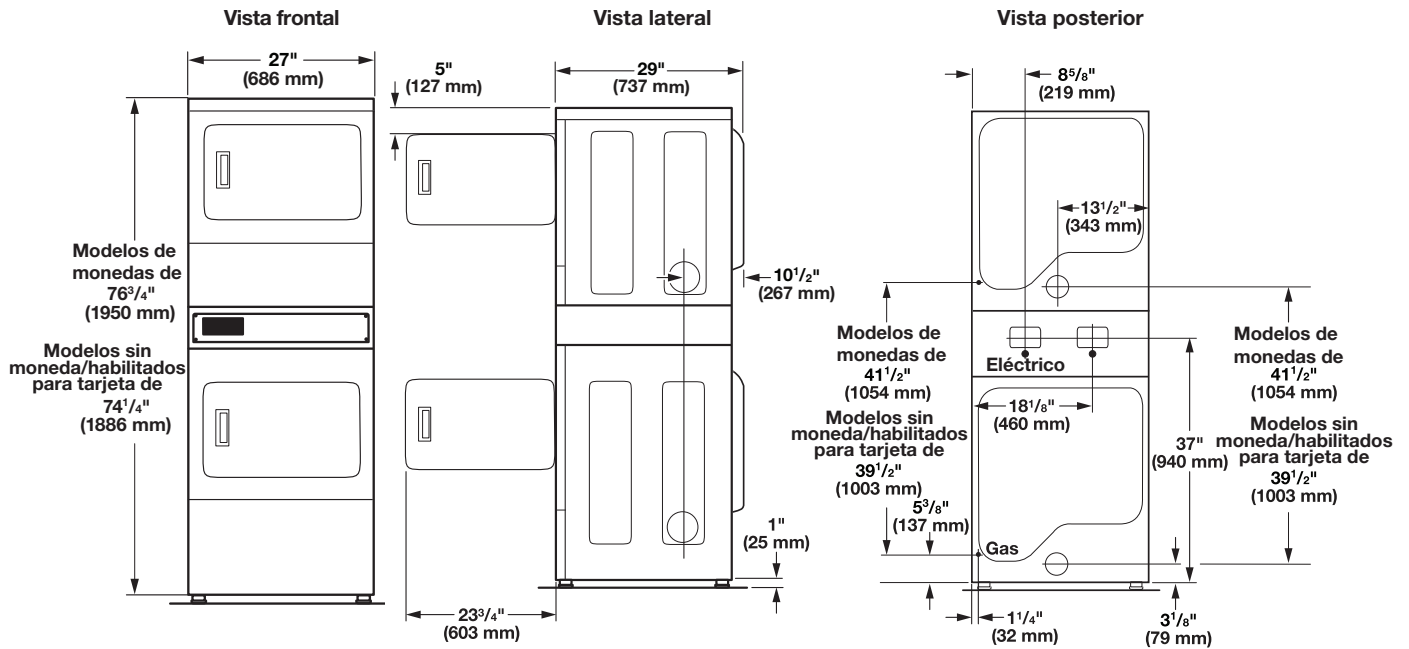
## Piezas suministradas:



1. Chavetas de seguridad (2) (ubicadas en la bolsa que está dentro del tambor)
2. Tapas protectoras (4) (ubicadas en la bolsa que está dentro del tambor)
3. Pata (4) para nivelar

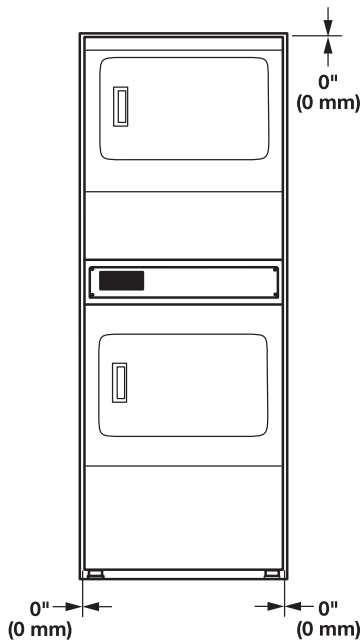
# DIMENSIONES Y ESPACIOS LIBRES

## Dimensiones:

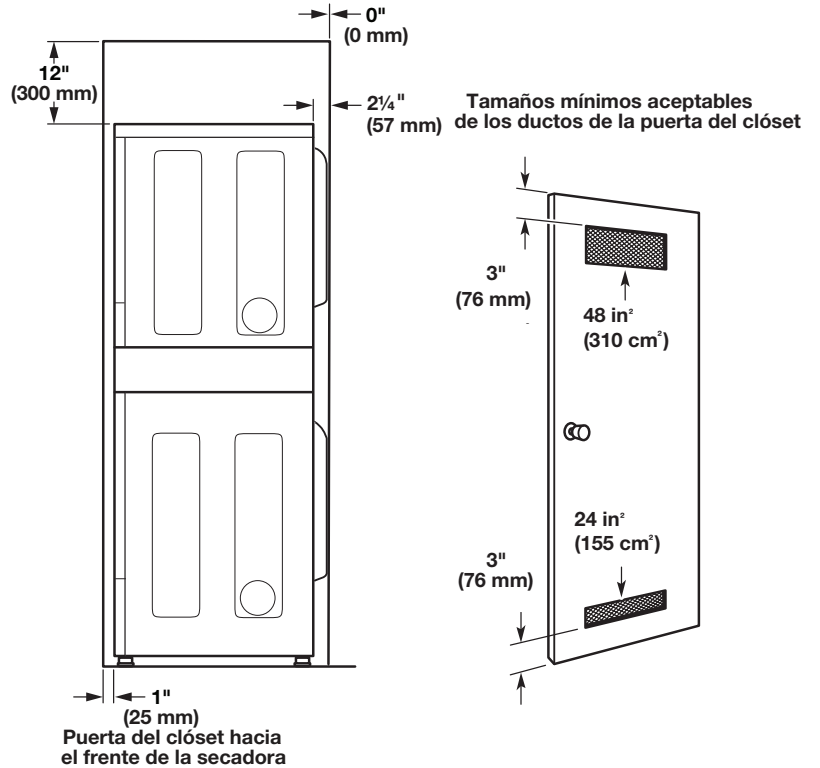


## Espacios mínimos:

Vista frontal, Apertura empotrada



Vista lateral, Empotrada en clóset



## REQUISITOS DE LA UBICACIÓN

### ⚠️ ADVERTENCIA



#### Peligro de Explosión

Mantenga los materiales y vapores inflamables, tales como la gasolina, alejados de la secadora.

No instale en un garaje.

No seguir estas instrucciones puede ocasionar la muerte, explosión o incendio.

La secadora se puede instalar en un sótano, un cuarto para lavar o un lugar empotrado.

La secadora, como se recibe no está diseñada para casas fabricadas/rodantes. Se requiere un juego de adaptadores de acuerdo con estas instrucciones de instalación para que esta secadora se use en una casa prefabricada o rodante.

También se deberán tener en cuenta los requisitos para la ubicación de otro electrodoméstico que lo acompañe.

**IMPORTANTE:** No instale ni almacene la secadora en un lugar expuesto al agua o el clima. La instalación correcta es su responsabilidad.

#### Necesitará lo siguiente:

- Un tomacorriente eléctrico con conexión a tierra ubicado a una distancia máxima de 6 pies (1,8 m) del lugar donde el cable de alimentación está fijado a la parte trasera de la secadora. Consulte "Requisitos eléctricos".
- Un piso nivelado con un declive máximo de 1" (25 mm) debajo de la secadora completa. No se recomienda la instalación de la secadora en superficies de suelo suave, como alfombras o superficies con soporte de espuma.

#### Espacio libre en la instalación de la secadora

- El lugar debe ser lo suficientemente grande para permitir que la puerta de la secadora se abra completamente.
- Debe considerarse espacio adicional para facilitar la instalación y el servicio técnico. La puerta se abre más de 180°.
- Se podrían necesitar espacios libres adicionales para las molduras de la pared, de la puerta y del piso.
- Se recomienda dejar un espacio adicional de 1" (25 mm) en todos los lados de la secadora para reducir la transferencia de ruido.
- La parte trasera de la secadora deberá estar instalada contra una pared. Consulte las dimensiones y espacios mínimos de instalación en los diagramas.

#### Cuando instale una secadora a gas:

**IMPORTANTE:** Respete todos los códigos y las ordenanzas vigentes.

- Verifique los requisitos de los códigos: Algunos códigos limitan, o no permiten, la instalación de la secadora en garajes, clósets o en dormitorios. Comuníquese con el inspector de construcciones de su localidad.
- Asegúrese de que los bordes inferiores del armario, además de los lados de la parte posterior e inferior de la secadora, estén libres de obstrucciones, para permitir el espacio adecuado de aberturas para la combustión de aire. Consulte "Instrucciones para la instalación empotrada" a continuación para los requisitos mínimos de espacio.

#### Instrucciones para la instalación empotrada

Esta secadora podrá instalarse en un área empotrada. Para las instalaciones en áreas empotradas, se pueden encontrar los espacios mínimos en la etiqueta de advertencia, en la parte posterior de la secadora o en la sección "Dimensiones y espacios libres".

El espacio de instalación es en pulgadas (centímetros) y es el mínimo permitido. Debe considerarse espacio adicional para facilitar la instalación, el servicio técnico y el cumplimiento de los códigos y ordenanzas locales.

La secadora deberá ventilarse al exterior.

No se puede instalar otro electrodoméstico que usa combustible en el mismo clóset en que se encuentra la secadora.



# REQUISITOS ELÉCTRICOS DE LA SECADORA A GAS

## ⚠ ADVERTENCIA



### Peligro de Choque Eléctrico

**Conecte a un contacto de pared de conexión a tierra de 3 terminales.**

**No quite la terminal de conexión a tierra.**

**No use un adaptador.**

**No use un cable eléctrico de extensión.**

**No seguir estas instrucciones puede ocasionar la muerte, incendio o choque eléctrico.**

**IMPORTANTE:** La secadora debe tener una conexión de electricidad a tierra de acuerdo con los códigos y las ordenanzas locales o, en ausencia de códigos locales, con el Código nacional de electricidad (National Electrical Code), ANSI/NFPA 70, la última edición, o el Código canadiense de electricidad (Canadian Electrical Code), CSA C22.1. Si los códigos lo permiten y se emplea un cable de conexión a tierra separado, es recomendable que un instalador eléctrico competente determine si la ruta de conexión a tierra es adecuada.

Puede obtener una copia de las normas de los códigos antes indicados en:

National Fire Protection Association,  
One Batterymarch Park, Quincy, MA 02269

CSA International  
8501 East Pleasant Valley Road  
Cleveland, Ohio 44131-5575

- No conecte la descarga a tierra a un tubo de gas.
- No coloque un fusible en el circuito neutro o de conexión a tierra.
- Se necesita un circuito eléctrico de 120 V, 60 Hz CA solamente, protegido con fusible de 15 A. También se recomienda usar un fusible retardador o disyuntor. Asimismo se recomienda el uso de un circuito independiente que preste servicio únicamente a esta secadora.
- Si los códigos lo permiten y se emplea un cable de conexión a tierra separado, se recomienda que un electricista competente determine si la trayectoria de descarga a tierra es adecuada.
- Si no está seguro de que la conexión a tierra de la secadora sea la adecuada, verifique con un electricista competente.

## Conexión a tierra de la secadora a gas

### INSTRUCCIONES DE PUESTA A TIERRA

- **Para la conexión de una lavavajillas mediante cable eléctrico conectado a tierra:**

La lavavajillas debe tener conexión a tierra. En el caso de funcionamiento defectuoso o avería, la conexión a tierra reducirá el riesgo de choque eléctrico al proporcionar una vía de menor resistencia para la corriente eléctrica. La lavavajillas está equipada con un cable que cuenta con un conductor para la conexión a tierra del equipo y un enchufe de conexión a tierra. El enchufe debe conectarse en un tomacorriente apropiado, debidamente instalado y conectado a tierra de acuerdo con todos los códigos y las ordenanzas locales.

**ADVERTENCIA:** La conexión incorrecta del conductor de conexión a tierra del equipo puede dar como resultado el riesgo de un choque eléctrico. Si no está seguro de que la conexión a tierra de la lavavajillas sea la adecuada, consulte a un electricista o a un representante de servicio técnico competente. No modifique el enchufe provisto con la lavavajillas; si no encaja en el tomacorriente, consulte a un electricista competente para instalar un tomacorriente adecuado.

- **Para una lavavajillas conectada permanentemente:**

Esta lavavajillas debe estar conectada a un sistema de cableado de metal permanente, conectado a tierra, o se debe tender un conducto para la conexión a tierra del equipo con los conductores de circuito y conectado a la terminal de tierra del equipo o al conductor de suministro de la lavavajillas.

### GUARDE ESTAS INSTRUCCIONES

## REQUISITOS DE GAS

### Suministro de gas

## ⚠ ADVERTENCIA



### Peligro de Explosión

**Use una línea de suministro de gas nueva con aprobación CSA Internacional.**

**Instale una válvula de cierre.**

**Apriete firmemente todas las conexiones de gas.**

**Si se conecta a un suministro de gas propano, la presión no debe exceder una columna de agua de 330 mm (13 pulgada) y debe ser verificada por una persona calificada.**

**Ejemplos de una persona calificada incluyen:**  
personal de servicio del sistema de calefacción con licencia,  
personal autorizado de la compañía de gas, y  
personal autorizado para dar servicio.

**No seguir estas instrucciones puede ocasionar la muerte, explosión o incendio.**

**IMPORTANTE:** Respete todos los códigos y las ordenanzas vigentes.

Esta instalación debe hacerse de acuerdo con todos los códigos y ordenanzas locales. Si no hay códigos locales, la instalación deberá hacerse de acuerdo al Código nacional estadounidense (American National Standard), el Código Nacional de Gas Combustible (National Fuel Gas Code), ANSI Z223.1/NFPA 54 o CAN/CSA B149.

Puede obtener una copia de las normas de los códigos antes indicados en:

National Fire Protection Association,  
One Batterymarch Park, Quincy, MA 02269

CSA International  
8501 East Pleasant Valley Road  
Cleveland, Ohio 44131-5575

El diseño de esta secadora ha sido certificado por CSA International para uso en altitudes que alcanzan los 10.000 pies (3,048 m) sobre el nivel del mar, en la categoría de B.T.U. indicada en la placa del número de modelo/serie. No se requieren ajustes de la entrada del quemador cuando se usa la secadora hasta esta altitud.

Si se instala a un nivel superior a los 10.000 pies (3,048 m) de altitud, se requiere una reducción de categoría de B.T.U. del cuatro por ciento (4%) del quemador, que se muestra en la placa del número de modelo/serie, por cada incremento de 1.000 pies (305 m) de altitud. Para obtener asistencia para convertir el aparato a otros tipos de gas y/o instalar el aparato a una altitud superior a 10.000 pies (3,048 m), póngase en contacto con su compañía de servicio más cercana.

## REQUISITOS ELÉCTRICOS DE LA SECADORA ELÉCTRICA (SOLO PARA EE. UU.)

### Es su responsabilidad:

- Comunicarse con un instalador eléctrico calificado.
- Asegurarse de que la conexión eléctrica sea adecuada y de conformidad con el Código Nacional Eléctrico, ANSI/NFPA 70 (última edición) y con todos los códigos y ordenanzas locales.
- El Código Nacional Eléctrico requiere una conexión de suministro eléctrico de 4 hilos para aquellos hogares construidos después de 1996, para los circuitos de secadora que se hayan reformado después de 1996 y todas las instalaciones de casas rodantes.
- Puede obtener una copia de las normas de los códigos antes indicados en: National Fire Protection Association, One Batterymarch Park, Quincy, MA 02269.
- Proveer el suministro eléctrico requerido de 3 o 4 hilos, monofásico, de 120/240 V, 60 Hz CA solamente (o un suministro eléctrico de 3 o 4 hilos, de 120/208 V, si se especifica en la placa indicadora de clasificación/de la serie) en un circuito separado de 30 A, protegido con fusibles en ambos lados de la línea. Se recomienda un fusible retardador o un cortacircuitos. Conectar a un circuito derivado individual. No coloque un fusible en el circuito neutro o de conexión a tierra.
- No use un cable de extensión.
- Si los códigos lo permiten y se emplea un cable de conexión a tierra separado, se recomienda que un electricista competente determine si la trayectoria de descarga a tierra es adecuada.

### Conexión eléctrica

Para instalar su secadora adecuadamente, usted debe determinar el tipo de conexión eléctrica que va a usar y seguir las instrucciones que aquí se proveen para el caso.

- Esta secadora ha sido manufacturada lista para ser instalada en una conexión de suministro eléctrico de 3 hilos. El conductor neutro de conexión a tierra está permanentemente conectado al conductor neutro (cable blanco), dentro de la secadora. Si la secadora está instalada con una conexión de suministro eléctrico de 4 hilos, el conductor neutro de conexión a tierra se debe quitar del conector de conexión a tierra exterior (tornillo verde) y se debe ajustar debajo de la terminal neutra (cable central o blanco) del bloque de terminal. Cuando el conductor neutro de conexión a tierra esté ajustado debajo de la terminal neutra (cable central o blanco) del bloque de terminal, el gabinete de la secadora queda aislado del conductor neutro.

- Si los códigos locales no permiten la conexión de un cable neutro de conexión a tierra al cable neutro, consulte la sección "Conexión opcional de 3 hilos".
- Deberá usarse una conexión con suministro eléctrico de 4 hilos cuando el aparato esté instalado en una ubicación en la cual esté prohibida la conexión a tierra a través del conductor neutro. Está prohibido hacer la puesta a tierra a través del conductor neutro para (1) las nuevas instalaciones de circuito derivado y (2) las áreas donde los códigos locales prohíben la conexión a tierra a través de conductores neutros.

### Conexión a tierra de la secadora eléctrica

#### INSTRUCCIONES DE PUESTA A TIERRA

##### ■ Para la conexión de una lavavajillas mediante cable eléctrico conectado a tierra:

La lavavajillas debe tener conexión a tierra. En el caso de funcionamiento defectuoso o avería, la conexión a tierra reducirá el riesgo de choque eléctrico al proporcionar una vía de menor resistencia para la corriente eléctrica. La lavavajillas está equipada con un cable que cuenta con un conductor para la conexión a tierra del equipo y un enchufe de conexión a tierra. El enchufe debe conectarse en un tomacorriente apropiado, debidamente instalado y conectado a tierra de acuerdo con todos los códigos y las ordenanzas locales.

**ADVERTENCIA:** La conexión incorrecta del conductor de conexión a tierra del equipo puede dar como resultado el riesgo de un choque eléctrico. Si no está seguro de que la conexión a tierra de la lavavajillas sea la adecuada, consulte a un electricista o a un representante de servicio técnico competente. No modifique el enchufe provisto con la lavavajillas; si no encaja en el tomacorriente, consulte a un electricista competente para instalar un tomacorriente adecuado.

##### ■ Para una lavavajillas conectada permanentemente:

Esta lavavajillas debe estar conectada a un sistema de cableado de metal permanente, conectado a tierra, o se debe tender un conducto para la conexión a tierra del equipo con los conductores de circuito y conectado a la terminal de tierra del equipo o al conductor de suministro de la lavavajillas.

#### GUARDE ESTAS INSTRUCCIONES

## Cable de suministro eléctrico de la secadora eléctrica

### **ADVERTENCIA**



#### **Peligro de Incendio**

Use un cable de suministro eléctrico nuevo de 30 amperios que esté en la lista de UL.

Use un protector de cables que esté en la lista de UL.

Desconecte el suministro eléctrico antes de hacer las conexiones eléctricas.

Conecte el alambre neutro (el blanco o el del centro) a la terminal central.

El alambre de tierra (el verde o el no aislado) se debe conectar con el conector verde de tierra.

Conecte los 2 alambres de suministro restantes con las 2 terminales restantes.

Apretete firmemente todas las conexiones eléctricas.

No seguir estas instrucciones puede causar la muerte, incendio, o choque eléctrico.

#### **Si emplea un cable eléctrico:**

Use un juego de cable de suministro de energía que esté en la lista de UL, para ser usado con secadoras de ropa. El juego deberá incluir:

- Un cable de suministro de energía de 30 A que esté en la lista de UL, de 120/240 V, como mínimo. El cable deberá ser del tipo SRD o SRDT, y tener por lo menos 4 pies (1,22 m) de largo. Los cables que lo conectan a la secadora deben acabar en terminales de anillo o de horquilla en forma de "U" con los extremos hacia arriba.
- Un protector de cables que esté en la lista de UL.

#### **Si el contacto de pared luce como éste:**



**Tomacorriente de 4 hilos (14-30R)**

Elija un cable de suministro eléctrico de 4 hilos con terminales de anillo o de horquilla y con protector de cables que esté en la lista de UL. El cable eléctrico de 4 hilos, de por lo menos 4 pies (1,22 m) de largo, debe tener cuatro hilos de cobre de calibre 10 y encajar en un tomacorriente para 4 hilos de NEMA Tipo 14-30R. El cable de conexión a tierra (conductor de conexión a tierra) debe ser verde o desnudo. Se deberá indicar el conductor neutro con una cubierta blanca.

#### **Si el contacto de pared luce como éste:**



**Tomacorriente de 3 hilos (10-30R)**

Elija un cable de suministro eléctrico de 3 hilos con terminales de anillo o de horquilla y con protector de cables que esté en la lista de UL. El cable eléctrico de 3 hilos, de por lo menos 4 pies (1,22 m) de largo, debe tener 3 hilos de cobre de calibre 10 y encajar en un tomacorriente para 3 hilos de NEMA Tipo 10-30R.

## Cable directo

### **ADVERTENCIA**



#### **Peligro de Incendio**

Utilice alambres de cobre sólido de ancho 10.

Use un protector de cables que esté en la lista de UL.

Desconecte el suministro eléctrico antes de hacer las conexiones eléctricas.

Conecte el alambre neutro (el blanco o el del centro) al terminal central.

El alambre de tierra (el verde o el no aislado) se debe conectar con el conector verde de tierra.

Conecte los 2 alambres de suministro restantes con las 2 terminales restantes.

Apretete firmemente todas las conexiones eléctricas.

No seguir estas instrucciones puede causar la muerte, incendio o choque eléctrico.

#### **Si hace la conexión con cableado directo:**

El cable directo debe ser igual al suministro eléctrico (de 4 hilos o de 3 hilos) y debe ser:

- Cable blindado flexible o cable de cobre forrado no metálico (con cable de conexión a tierra), cubierto con un conducto metálico flexible. Todos los cables conductores de corriente deben estar aislados.
- cable de cobre sólido de calibre 10 (no utilice aluminio).
- Al menos 5 pies (1,52 m) de longitud.

## **REQUISITOS DE VENTILACIÓN DE LA SECADORA**

### **ADVERTENCIA**



#### **Peligro de Incendio**

Use un ducto de escape de metal pesado.

No use un ducto de escape de plástico.

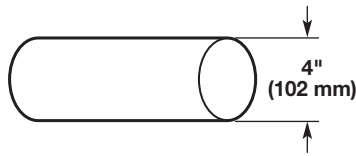
No use un ducto de escape de aluminio.

No seguir estas instrucciones puede ocasionar la muerte o incendio.

**ADVERTENCIA:** Para reducir el riesgo de incendio, esta secadora DEBE VENTILARSE EN EL EXTERIOR.

**IMPORTANTE:** Respete todos los códigos y las ordenanzas vigentes.

El ducto de escape de la secadora no debe conectarse en ningún ducto de gas, chimenea, pared, techo, desván, espacio angosto o el espacio oculto de un edificio. Deberá usarse solamente un ducto de metal rígido o flexible para la ventilación.



**Ducto de escape de metal pesado de 4" (102 mm)**

- Solo puede usarse un ducto de ventilación de metal pesado de 4" (102 mm) y abrazaderas.
- No utilice un ducto de escape de plástico ni de aluminio.

**Ducto de escape de metal rígido:**

- Se recomienda para un mejor desempeño en el secado y para evitar que se aplaste o se tuerza.

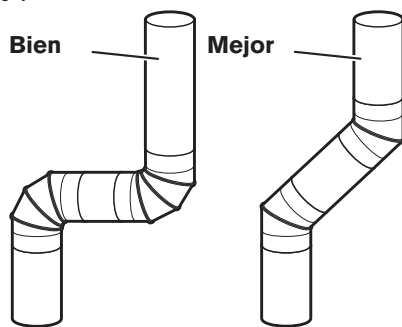
**Ducto de escape de metal flexible:** (Es aceptable solo si es accesible para la limpieza)

- Deberá extenderse por completo y tener soporte en la ubicación final de la secadora.
- Quite el exceso del mismo para evitar que se doble y se tuerza, lo cual podría dar lugar a una reducción del flujo de aire y a un rendimiento insuficiente.
- No instale un ducto de escape de metal flexible en paredes, techos o pisos encerrados.
- La longitud total no deberá exceder los 7¾ pies (2,4 m).

**NOTA:** Si se usa un sistema de ventilación existente, limpie la pelusa de toda la longitud del sistema y asegúrese de que la capota de ventilación no esté obstruida con pelusa. Reemplace los ductos de escape de plástico o de hoja de metal por ductos de metal rígido o de metal flexible. Consulte "Cuadros del sistema de ventilación" y, si es necesario, modifique el sistema de ventilación existente para lograr el mejor desempeño de secado.

**Codos:**

- Los codos de 45° proveen un mejor flujo de aire que los codos de 90°.



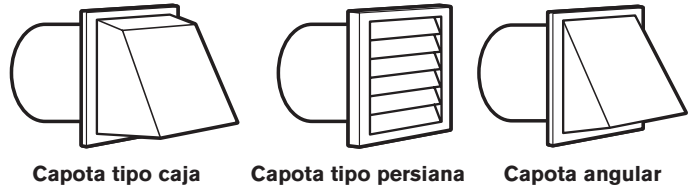
**Abrazaderas:**

- Utilice abrazaderas para sellar todas las juntas.
- No debe conectarse ni asegurarse el ducto de escape con tornillos ni con ningún otro dispositivo de sujeción que se extienda hacia el interior de dicho ducto y atrape pelusa. No utilice cinta para ductos.

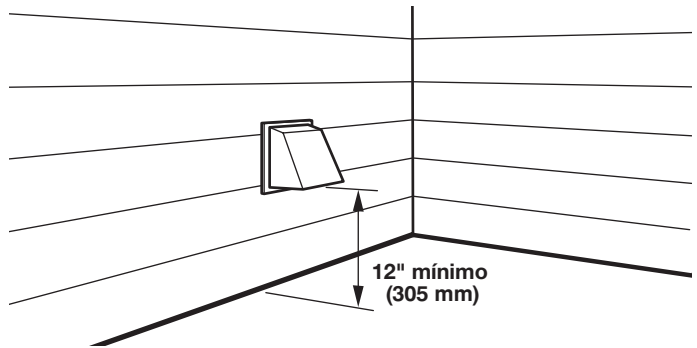


**Capotas de ventilación:**

**Capotas de ventilación de 102 mm (4") de diámetro**



La capota de ventilación debe estar por lo menos a 12" (305 mm) de distancia del piso o de cualquier objeto que pudiese estar en el trayecto del ducto de escape (como flores, rocas, arbustos o nieve).



**Largo del sistema de ventilación**

**Largo máximo del ducto de ventilación/Conexión de la ventilación**

La longitud máxima del sistema de ventilación depende del tipo de ventilación que use, la cantidad de codos y el tipo de capota extractora.

**Largo del sistema de ventilación**

N.º de vueltas de 90°	Capota de caja y tipo persiana	Capota angular
0	64 pies (19,5 m)	58 pies (17,7 m)
1	54 pies (16,5 m)	48 pies (14,6 m)
2	44 pies (13,4 m)	38 pies (11,6 m)
3	35 pies (10,7 m)	29 pies (8,8 m)
4	27 pies (8,2 m)	21 pies (6,4 m)

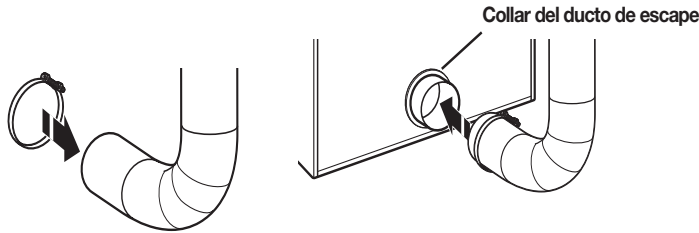
Para los sistemas de ventilación que no se cubren en la tabla de especificación de ventilación, consulte con su distribuidor de piezas.

Se deben realizar previsiones para que haya suficiente aire para la combustión y la ventilación. (Verifique los códigos y reglamentos aplicables.) Consulte "Instrucciones para la instalación empotrada" en la sección "Requisitos de ubicación".

Se prefiere una capota de salida de 4" (102 mm). Aún así, podrá usarse una salida de escape de 2½" (64 mm). Una salida de 2½" (64 mm) ocasiona mayor contrapresión que los otros tipos de capotas. Para una instalación permanente, se necesita un sistema fijo de ventilación.

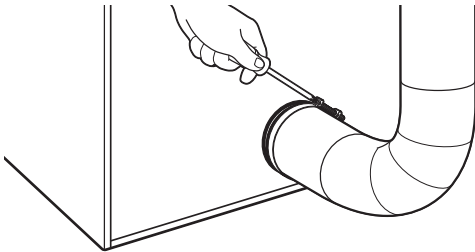
## Conexión del ducto de escape

1. Si se conecta a un ducto de escape existente, asegúrese de que el mismo esté limpio.
2. Con una abrazadera de 4" (102 mm), conecte el ducto de escape a la salida de ventilación en la secadora.

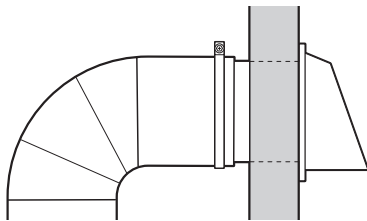


**NOTA:** No quite el collar del ducto de ventilación.

3. Apriete la abrazadera de manguera con un destornillador Phillips.



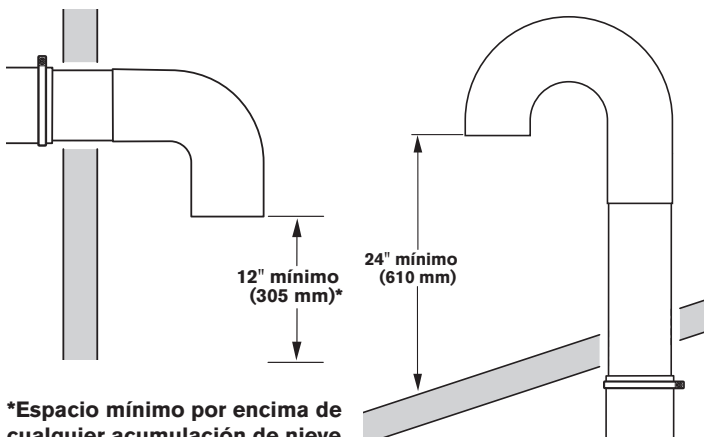
4. Cerciórese de que el ducto de escape esté asegurado a la capota de ventilación con una abrazadera de 4" (102 mm).



5. Mueva la secadora a su posición final. No aplaste ni retuerza el ducto de escape. Asegúrese de que la secadora esté nivelada.

## Si no se puede usar una capota de ventilación

El extremo exterior del ducto de ventilación principal debe tener un codo barredero dirigido hacia abajo.



\*Espacio mínimo por encima de cualquier acumulación de nieve, hielo o desechos tales como hojas

Si el ducto principal viaja verticalmente a través del techo y no a través de la pared, instale un codo barredero de 180° en el extremo del ducto por lo menos 2 pies (610 mm) por encima de la superficie del techo.

La abertura en la pared o el techo deberá tener un diámetro de 1/2" (13 mm) mayor que el diámetro del ducto. El ducto debe centrarse en la abertura.

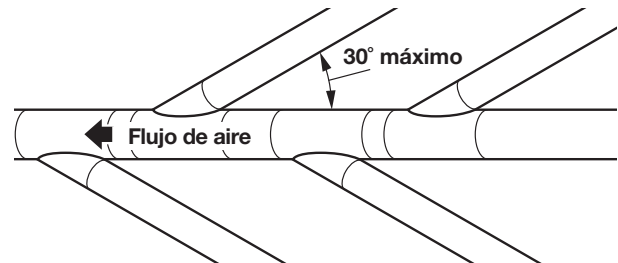
Para obtener el mejor desempeño, no debe instalar una pantalla sobre el extremo del ducto.

## Ventilación para múltiples secadoras

Puede usar un ducto principal para ventilar un grupo de secadoras. El ducto principal debe tener el tamaño suficiente para remover 5.663 L/min (200 CFM) de aire por secadora. Pueden usarse filtros de pelusa de gran capacidad con el diseño adecuado en el ducto principal si se controlan y se limpian con frecuencia. La habitación en donde estén ubicadas las secadoras deberá tener aire suficiente o mayor que los CFM de todas las secadoras en la habitación.

Su distribuidor tiene reguladores de contracorriente que se deben instalar en el ducto de cada secadora para evitar que el aire expulsado vuelva a entrar en las secadoras y mantener la expulsión en equilibrio dentro del ducto principal. Se requieren aberturas de aire de retorno sin obstrucciones.

Cada ducto debe unirse al ducto principal en un ángulo que apunte en la dirección del flujo de aire. Los ductos que entran del lado opuesto deberán alternarse para reducir la interferencia del aire de salida con los otros ductos.



El ángulo máximo de cada ducto que entra en el ducto principal deberá ser no más de 30°.

Mantenga las aberturas de aire libres de los gases de los líquidos de limpieza en seco. Las emanaciones crean ácidos que, cuando se extraen mediante las unidades de calefacción de la secadora, pueden dañar las secadoras y los artículos que esté secando.

Debe usarse una cobertura de limpieza en el ducto principal para limpiar periódicamente el sistema de ventilación.

## PATAS NIVELADORAS

### ⚠ ADVERTENCIA

**Peligro de peso excesivo**

**Use dos o más personas para mover e instalar las botellas.**

**No seguir esta instrucción puede ocasionar lesiones en la espalda o de otro tipo.**

## 1. Las patas ya se han instalado en esta unidad.

**NOTA:** Deslice la secadora sobre un pedazo de cartón o madera dura antes de moverla por el piso para no dañar el acabado de éste.

Con la ayuda de dos o más personas, mueva la secadora al lugar deseado para su instalación.

Retire la cinta de las esquinas frontales de la secadora. Abra la secadora y saque los paquetes que contienen la bolsa con documentos y las piezas. Limpie el interior de la secadora con un paño húmedo para quitar residuos de polvo.

Haga encajar una cubierta protectora sobre cada pata.

Para proteger el piso, use un pedazo de cartón grande de la caja de la secadora. Coloque la secadora en posición vertical sobre el cartón. Deslice la secadora cerca de su ubicación final. Deje suficiente espacio para la conexión eléctrica y para conectar el ducto de escape.

## NIVELACIÓN

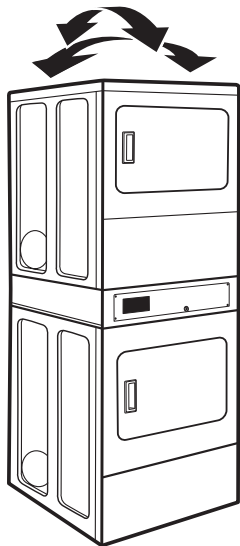
La nivelación adecuada de su secadora reduce el exceso de ruido y vibración.

### ⚠ ADVERTENCIA

#### Peligro de peso excesivo

Use dos o más personas para mover e instalar las botellas.  
No seguir esta instrucción puede ocasionar lesiones en la espalda o de otro tipo.

1. Retire el cartón de debajo de la secadora. Coloque un nivel en los bordes superiores de la secadora, revisando cada lado y el frente. Si no está nivelada, incline la secadora y ajuste las patas hacia arriba o hacia abajo. Repita si es necesario.
2. Tome la secadora desde arriba y muévela de adelante hacia atrás, cerciorándose de que todas las patas estén firmes en el suelo. Repita lo anterior, moviendo la secadora de lado a lado. Si la secadora se mueve, ajuste las patas niveladoras.



3. Si la secadora no está nivelada, gire la pata niveladora en dirección contraria a las manecillas del reloj para bajar la secadora o en sentido opuesto para levantarla. Vuelva a verificar la nivelación de la secadora y que las cuatro patas estén firmemente en contacto con el suelo. Repita el procedimiento según sea necesario.

**SUGERENCIA ÚTIL:** Podría elevar la parte delantera de la secadora aproximadamente 4" (102 mm) con un bloque de madera o un objeto similar que soporte su peso.

## CONEXIÓN DEL SUMINISTRO DE GAS

### Conexión del suministro de gas

### ⚠ ADVERTENCIA



#### Peligro de Explosión

Use una línea de suministro de gas nueva con aprobación CSA Internacional.

Instale una válvula de cierre.

Apriete firmemente todas las conexiones de gas.

Si se conecta a un suministro de gas propano, la presión no debe exceder una columna de agua de 330 mm (13 pulgada) y debe ser verificada por una persona calificada.

Ejemplos de una persona calificada incluyen:

personal de servicio del sistema de calefacción con licencia,  
personal autorizado de la compañía de gas, y  
personal autorizado para dar servicio.

No seguir estas instrucciones puede ocasionar la muerte, explosión o incendio.

1. Quite la tapa roja del tubo de gas de la parte posterior de la secadora.
2. Conecte el suministro de gas a la secadora. Utilice un compuesto de rosca de tuberías aprobado para el tipo de gas suministrado. Si se usa tubería flexible de metal, asegúrese de que no hayan partes retorcidas.  
Si es necesario para darle servicio, abra el panel de pie. Use un cuchillo para masilla para presionar los seguros del panel, ubicados en las esquinas superiores del panel de pie. Jale el panel de pie hacia abajo para abrir. El panel de pie tiene bisagras en la parte inferior.
3. Abra la válvula de paso de la línea de suministro de gas y cerciórese de que la secadora tenga su propio suministro de gas abierto.
4. Pruebe todas las conexiones aplicando con un pincel una solución aprobada para detección de fugas que no sea corrosiva. Se observarán burbujas si hay fugas. Corrija todas las fugas que encuentre.

### Tipo de gas

Esta secadora está equipada para uso con gas natural. Cuenta con la certificación de UL para el uso con gas propano con la conversión adecuada. No se deberá hacer intento alguno para convertir la secadora del gas especificado en la placa indicadora de la serie/clasificación para utilizar un gas distinto sin consultar con el abastecedor de gas. La conversión deberá llevarla a cabo un técnico de servicio calificado.

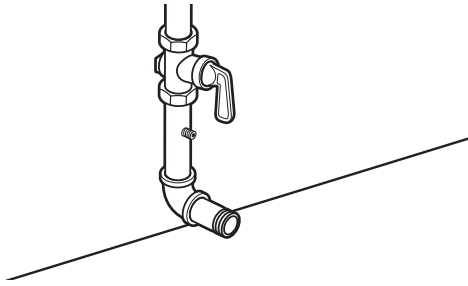
Consulte la lista de piezas o [www.whirlpool.com](http://www.whirlpool.com) para ver los números de piezas del kit de conversión.

### Línea de suministro de gas

#### Método recomendado

Provea una línea de suministro de gas de tubería rígida (IPS) de 1/2" (13 mm) hacia la ubicación de la secadora. Pueden usarse compuestos para uniones de tubería que sean resistentes a la acción del gas propano. No utilice cinta de TEFLON<sup>®</sup>. Con gas propano, el tamaño de la tubería o los tubos puede ser de 1/2" (13 mm) como mínimo. Por lo general, los proveedores de gas propano determinan el tamaño y los materiales que deben usarse en el sistema.

†<sup>®</sup>TEFLON es una marca comercial registrada de Chemours.



### Prueba de presión del suministro de gas

Se debe instalar una derivación tapada NTP de por lo menos 1/8" (3 mm), accesible para las pruebas de calibre, inmediatamente debajo de la válvula de cierre instalada que va a la secadora (como se muestra arriba). Se debe desconectar la secadora del sistema de tubería del suministro de gas, siempre que se hagan pruebas de presión de dicho sistema a presiones de prueba que excedan 1/2" psig (352 kg/m<sup>2</sup>).

### Método opcional

El suministro de gas también se puede conectar usando tubería aprobada de cobre o aluminio de 3/8" (10 mm). Si la longitud total de la línea de suministro es mayor que 20 pies (6,1 m), deberá usarse tubos más largos.

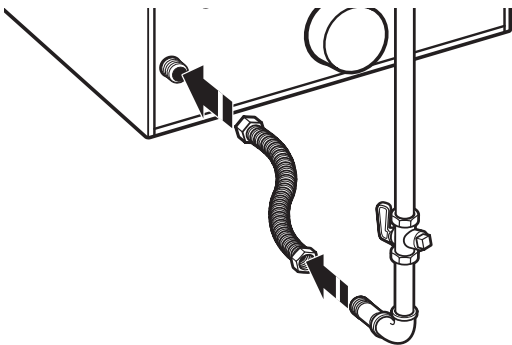
Si va a usar gas natural, no use tubería de cobre. Pueden usarse compuestos para uniones de tubería que sean resistentes a la acción del tipo de gas provisto.

### Se requiere una válvula de cierre

La línea de suministro debe estar equipada con una válvula de cierre manual instalada a una distancia menor de 6 pies (1,8 m) de la secadora, de acuerdo al National Fuel Gas Code (Código nacional de gas combustible), ANSI Z223.1. Esta válvula debe encontrarse en la misma habitación que la secadora. Debe estar en una ubicación que permita abrir y cerrar con facilidad. No bloquee el acceso a la válvula de cierre.

### Conector flexible de metal para el aparato

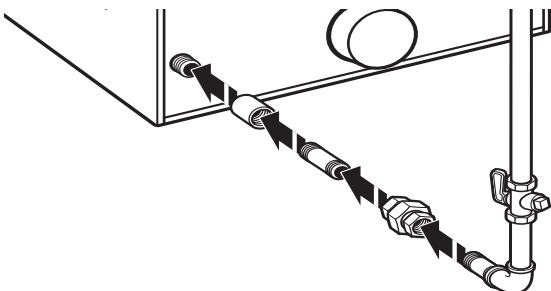
Se recomienda usar una nueva línea flexible de gas de acero inoxidable, cuyo diseño esté certificado por CSA (Asociación canadiense de seguridad), para conectar la secadora a la línea de suministro de gas. (La tubería de gas, que se extiende a través de la parte posterior inferior de la secadora, está suministrada con una rosca macho para tubería de 3/8").



**NOTA:** No tuerza ni dañe la línea de gas flexible de acero inoxidable cuando mueva la secadora.

### Conexión de tubería rígida

La conexión de tubería rígida requiere una combinación de accesorios de tubería para obtener una conexión en línea hacia la secadora.



# CONEXIONES ELÉCTRICAS DE LA SECADORA ELÉCTRICA (SOLO PARA EE. UU.)

Conexión por cable de suministro de energía

## ⚠ ADVERTENCIA



### Peligro de Incendio

Use un cable de suministro eléctrico nuevo de 30 amperios que esté en la lista de UL.

Use un protector de cables que esté en la lista de UL.

Desconecte el suministro eléctrico antes de hacer las conexiones eléctricas.

Conecte el alambre neutro (el blanco o el del centro) a la terminal central.

El alambre de tierra (el verde o el no aislado) se debe conectar con el conector verde de tierra.

Conecte los 2 alambres de suministro restantes con las 2 terminales restantes.

Apriete firmemente todas las conexiones eléctricas.

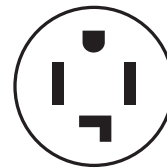
No seguir estas instrucciones puede causar la muerte, incendio, o choque eléctrico.

### Opciones de conexión

#### Cable eléctrico

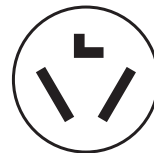
Tomacorriente de 4 hilos (tipo NEMA 14-30R)

Vaya a la sección "Conexión de 4 hilos: Cable eléctrico".



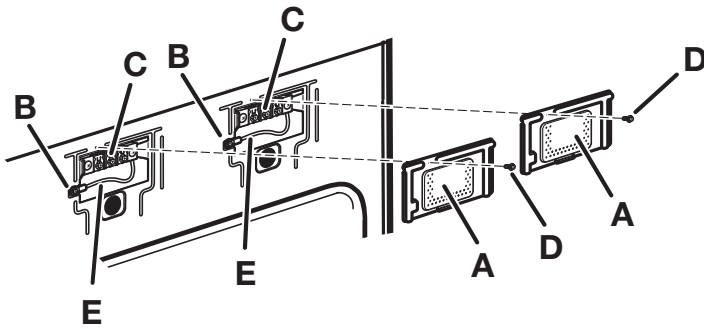
Tomacorriente de 3 hilos (tipo NEMA 10-30R)

Vaya a la sección "Conexión de 3 hilos: Cable eléctrico".



**NOTA:** Si los códigos locales no permiten la conexión de un conductor para conexión a tierra de la carcasa al cable neutro, consulte la sección "Conexión opcional de 3 hilos". Esta conexión se puede utilizar con un cable eléctrico o un cable directo.

## Quite la tapa del bloque de terminal



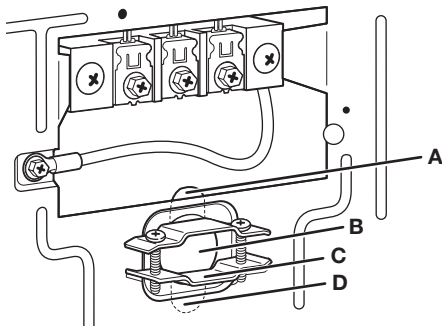
Desconecte el suministro de energía antes de comenzar. Quite el tornillo de sujeción (D) y la tapa del bloque de terminal (A).

- A. Tapa del bloque de terminal
- B. Tornillo conductor de tierra externo
- C. Tornillo central del bloque de terminal
- D. Tornillo de sujeción
- E. Cable neutro de conexión a tierra

## Protector del cable de suministro eléctrico

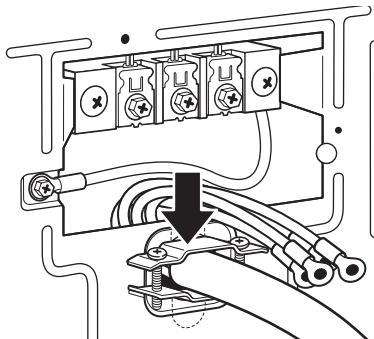
### 1. Inserte el protector de cables

Quite los tornillos de un protector de cables de 3/4" (19 mm) que esté en la lista de UL. Coloque las lengüetas de las dos secciones de la abrazadera (C) en el orificio que está debajo de la abertura del bloque de terminal (B) de manera que una lengüeta esté apuntando hacia arriba (A) y la otra esté apuntando hacia abajo (D), y sujételas en su lugar. Apriete los tornillos del protector de cables solo lo suficiente para mantener las dos secciones de la abrazadera (C) juntas.



### 2. Inserte el cable eléctrico en el protector de cables

Haga pasar el cable de suministro eléctrico a través del protector de cables. Asegúrese de que el aislamiento de cables del cable eléctrico esté dentro del protector de cables. El protector de cables deberá encajar de manera ajustada con el gabinete de la secadora y estar en posición horizontal. No ajuste más los tornillos del protector de cables en este momento.



## Cómo hacer la conexión de 4 hilos: Cable de suministro eléctrico

**IMPORTANTE:** Se necesita una conexión de 4 hilos donde los códigos locales no permitan el uso de conexiones de 3 hilos.

Conectores estándar del cable de suministro eléctrico



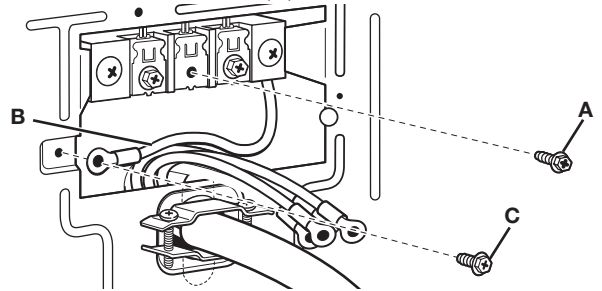
Conector de horquilla



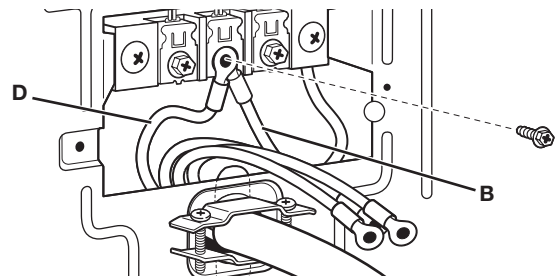
Conector de anillo

## Cómo hacer la conexión de los cables a tierra y neutro

1. Para quitar el tornillo central del bloque de terminal (A) y el cable de conexión a tierra neutro (B), retire el tornillo externo del conector de conexión a tierra (C).

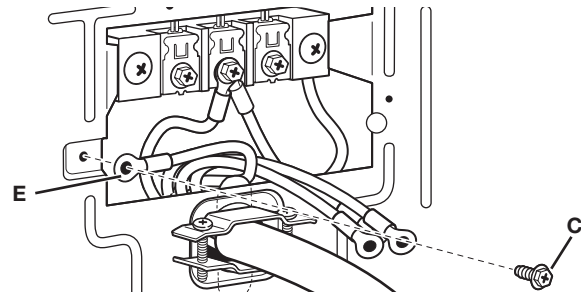


2. Conecte el cable de conexión a tierra neutro (B) y el cable neutro (blanco o central) (D) en el bloque de terminal central. Apriete el tornillo.



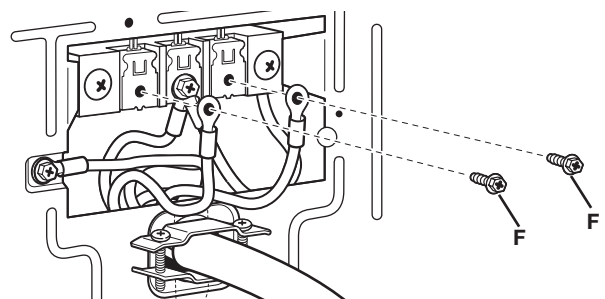
## Conexión del cable eléctrico de conexión a tierra

3. Conecte el cable de conexión a tierra (verde o desnudo) (E) con el tornillo conector de conexión a tierra exterior (C). Apriete el tornillo.



## Cómo conectar los cables restantes

4. Conecte los cables restantes a los tornillos de los bloques de terminal de los extremos (F). Apriete los tornillos. Por último, vuelva a colocar la tapa del bloque de terminal y apriete el tornillo de sujeción. Consulte la sección "Completar instalación".





## Cómo hacer la conexión de 3 hilos: Cable de suministro eléctrico

Conectores estándar del cable de suministro eléctrico



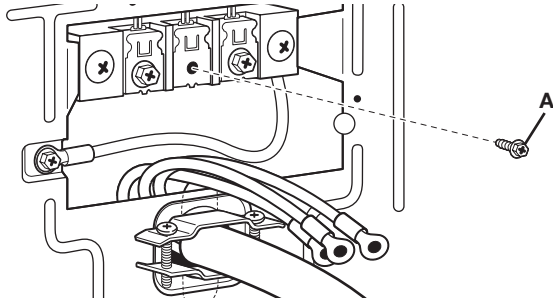
Conector de horquilla



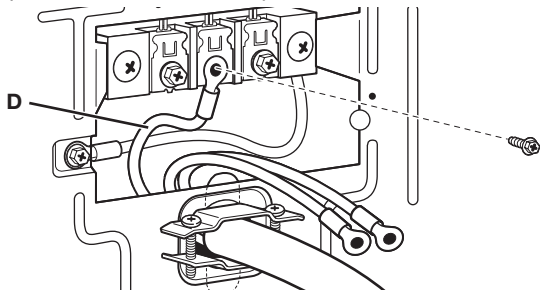
Conector de anillo

### Cómo conectar el cable neutro

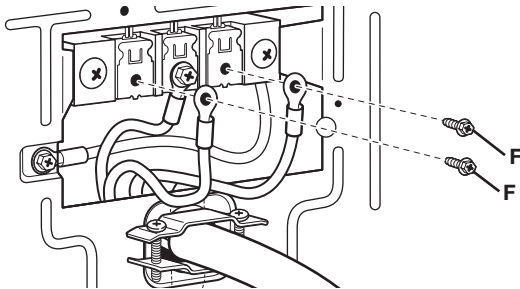
1. Afloje o saque el tornillo central del bloque de terminal (A).



2. Conecte el cable blanco neutro (blanco o central) (D) en el bloque de terminal central. Apriete el tornillo.



3. Conecte los cables restantes a los tornillos de los bloques de terminal de los extremos (F). Apriete los tornillos. Por último, vuelva a colocar la tapa del bloque de terminal y apriete el tornillo de sujeción. Consulte la sección "Completar instalación".



## Conexión por cable directo

### ⚠ ADVERTENCIA



#### Peligro de Incendio

Utilice alambres de cobre sólido de ancho 10.

Use un protector de cables que esté en la lista de UL.

Desconecte el suministro eléctrico antes de hacer las conexiones eléctricas.

Conecte el alambre neutro (el blanco o el del centro) al terminal central.

El alambre de tierra (el verde o el no aislado) se debe conectar con el conector verde de tierra.

Conecte los 2 alambres de suministro restantes con las 2 terminales restantes.

Apriete firmemente todas las conexiones eléctricas.

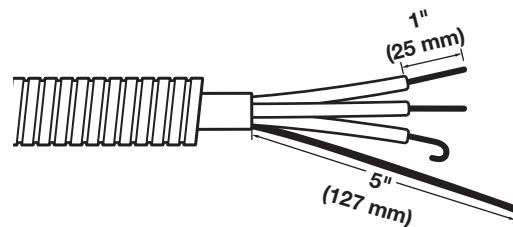
No seguir estas instrucciones puede causar la muerte, incendio o choque eléctrico.

### Opciones de conexión

#### Cable directo

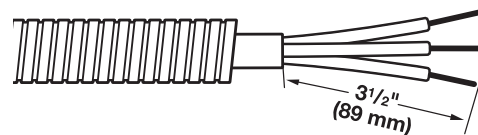
Conexión por cable directo de 4 hilos

Consulte la sección "Cómo hacer la conexión de 4 hilos: Cable directo".



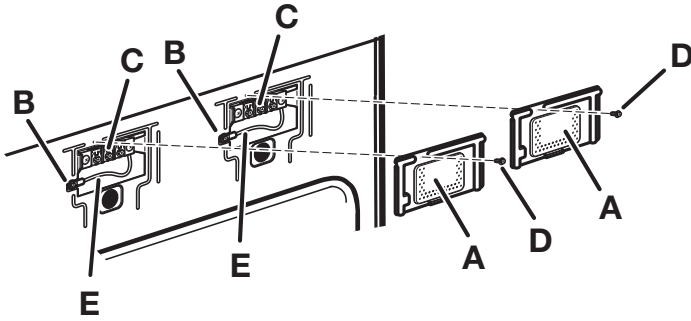
Conexión por cable directo de 3 cables

Consulte la sección "Cómo hacer la conexión de 3 cables: Cable directo".



**NOTA:** Si los códigos locales no permiten la conexión de un conductor para conexión a tierra de la carcasa al cable neutro, consulte la sección "Conexión opcional de 3 hilos". Esta conexión se puede utilizar con un cable eléctrico o un cable directo.

## Quite la tapa del bloque de terminal



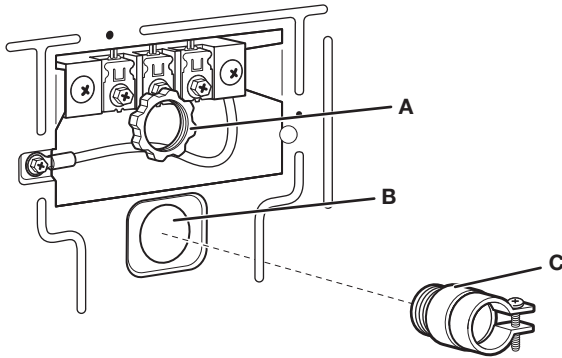
Desconecte el suministro de energía antes de comenzar. Quite el tornillo de sujeción (D) y la tapa del bloque de terminal (A).

- A. Tapa del bloque de terminal
- B. Tornillo conductor de tierra externo
- C. Tornillo central del bloque de terminal
- D. Tornillo de sujeción
- E. cable neutro de conexión a tierra

## Protector de cables para cable directo

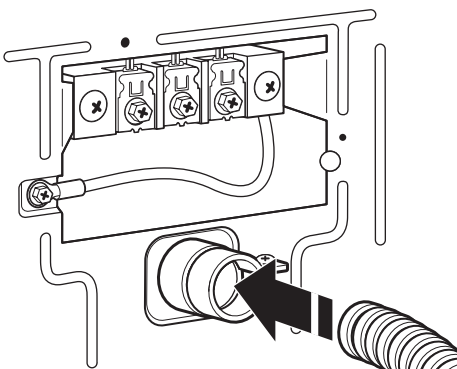
### 1. Inserte el protector de cables.

Desatornille el conector de conducto removible (A) y cualquier tornillo del protector de cables de 3/4" (19 mm) que está en la lista de UL. Coloque la sección roscada del protector de cables (C) a través del orificio que está debajo de la abertura del bloque de terminal (B) y atornille el conector del conducto removible (A) sobre las roscas del protector de cables.



### 2. Inserte el conducto en el protector de cables y apriete la abrazadera.

Haga pasar el cable directo a través del protector de cables. El protector de cables deberá encajar de manera ajustada con el gabinete de la secadora y estar en posición horizontal. Apriete el tornillo del protector de cables contra el cable directo.



## Cómo hacer la conexión de 4 hilos: Cable directo

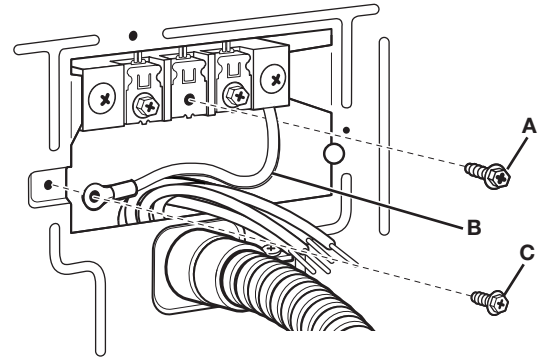
**IMPORTANTE:** Se necesita una conexión de 4 hilos donde los códigos locales no permitan el uso de conexiones de 3 hilos.

El cable directo deberá tener 5 pies (1,52 m) de largo adicional para poder mover la secadora si es necesario.

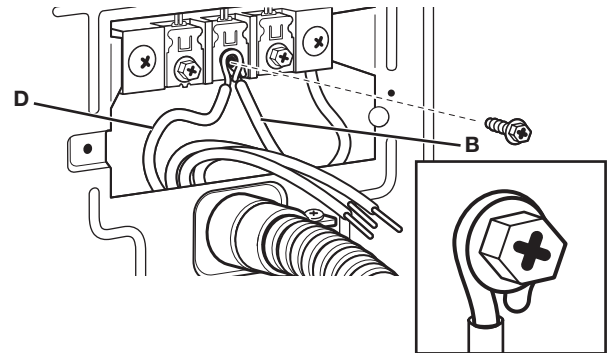
Pele 5" (127 mm) de la cubierta exterior del extremo del cable, dejando el cable a tierra desnudo a 5" (127 mm). Corte 1 1/2" (38 mm) de los tres cables restantes. Pele el aislamiento 1" (25 mm). Doble los extremos de los cables para formar un gancho.

## Cómo hacer la conexión de los cables de conexión a tierra y neutros

- Para quitar el tornillo central del bloque de terminal (A) y el cable de conexión a tierra neutro (B), retire el tornillo externo del conector de conexión a tierra (C).

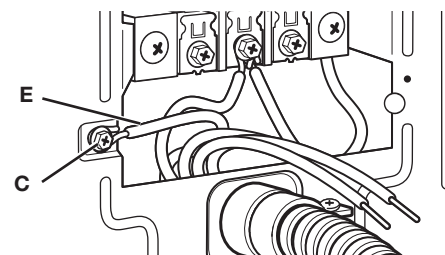


- Conecte el cable de conexión a tierra neutro (B) y coloque el extremo en forma de gancho (gancho mirando hacia la derecha) del cable neutro (cable blanco o central) debajo del tornillo central del bloque de terminal (B). Apriete y junte el extremo en forma de gancho. Apriete el tornillo.



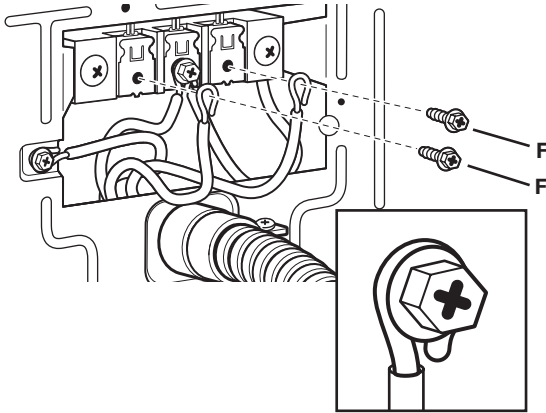
## Cómo hacer la conexión a tierra del cable directo

- Conecte el cable de conexión a tierra (verde o desnudo) (E) con el tornillo conector de conexión a tierra exterior (C). Apriete el tornillo.



## Cómo conectar los cables restantes

- Coloque los extremos en forma de gancho de los cables directos restantes (con los ganchos mirando hacia la derecha). Apriete los extremos en forma de gancho y apriete los tornillos. Por último, vuelva a colocar la tapa del bloque de terminal y apriete el tornillo de sujeción. Apriete los tornillos. Consulte la sección "Completar instalación".



## Cómo hacer la conexión de 3 hilos: Cable directo

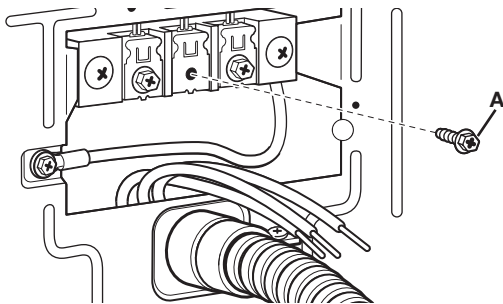
Úselo donde los códigos locales permitan la conexión del conductor de tierra de la carcasa al cable neutro.

El cable directo deberá tener 5 pies (1,52 m) de largo adicional para poder mover la secadora si es necesario.

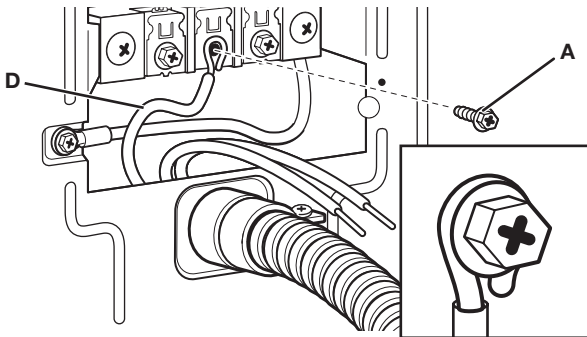
Pele 3 1/2" (89 mm) de la cubierta exterior del extremo del cable. Pele el aislamiento 1" (25 mm). Si va a usar el cable de 3 hilos con cable a tierra, corte el cable desnudo alineado con la cubierta exterior. Doble los extremos de los cables para formar un gancho.

## Cómo conectar el cable neutro

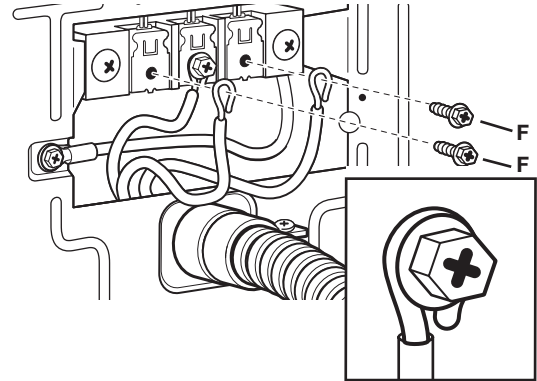
- Afloje o saque el tornillo central del bloque de terminal (A).



- Coloque el extremo en forma de gancho (gancho mirando hacia la derecha) del cable neutro (cable blanco o central) (D) debajo del tornillo central del bloque de terminal (B). Apriete y junte el extremo en forma de gancho. Apriete el tornillo.



- Coloque los extremos en forma de gancho de los cables directos restantes (con los ganchos mirando hacia la derecha). Apriete los extremos en forma de gancho y apriete los tornillos. Por último, vuelva a colocar la tapa del bloque de terminal y apriete el tornillo de sujeción. Apriete los tornillos. Consulte la sección "Completar instalación".

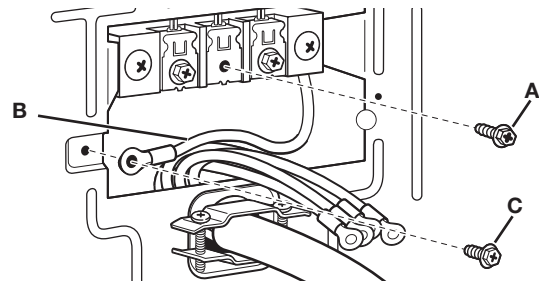


## Cómo hacer la conexión de 3 hilos: Opcional

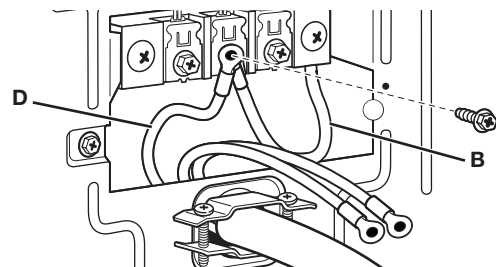
Úselo para el cable directo o el cable de suministro eléctrico donde los códigos locales no permiten conectar un conductor de conexión a tierra de la carcasa al cable neutro.

## Cómo conectar el cable neutro

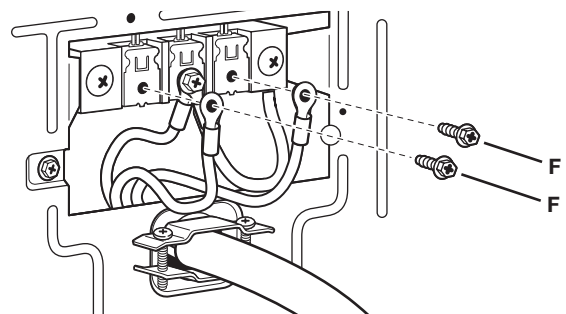
- Quite el tornillo del bloque de terminal central (A). Saque también el cable neutro de conexión a tierra (B) quitando del tornillo conductor de tierra externo (C).



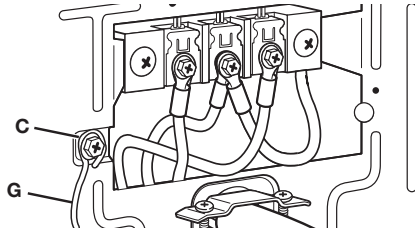
- Conecte el cable neutro de conexión a tierra (B) y el cable neutro (cable blanco o central) (D) del cable de suministro de energía debajo del bloque de terminal central. Apriete el tornillo.



- Conecte los cables restantes debajo del bloque de terminal externo. Apriete los tornillos.



4. Conecte un cable de conexión a tierra de cobre separado (G) debajo del conductor de conexión a tierra externo al tornillo (C) para una conexión a tierra adecuada. Por último, vuelva a colocar la tapa del bloque de terminal y apriete el tornillo de sujeción. Consulte la sección "Completar instalación".



## INSTALACIÓN COMPLETA

1. Revise los requisitos eléctricos. Asegúrese de contar con la fuente de electricidad correcta y el método recomendado de conexión a tierra. Consulte "Requisitos eléctricos".
2. Verifique que todas las piezas estén ahora instaladas. Si hay una pieza extra, repita los pasos.
3. Verifique que tenga todas las herramientas.
4. Deseche o recicle todo el material de embalaje.
5. Enchufe en un contacto con conexión a tierra o reconecte el suministro de energía.
6. Verifique el funcionamiento de la secadora. Cierre la puerta de la secadora. Seleccione el ciclo. Cuando use un ciclo con calor máximo (no el ciclo de aire), deje que la secadora funcione durante al menos cinco minutos. La secadora se detendrá cuando se haya transcrito el tiempo.

**NOTA:** La puerta debe estar cerrada para que la secadora funcione. Cuando se abre la puerta, la secadora se detiene, pero el temporizador continúa funcionando. Para reiniciar la secadora, cierre la puerta y vuelva a seleccionar el ciclo.

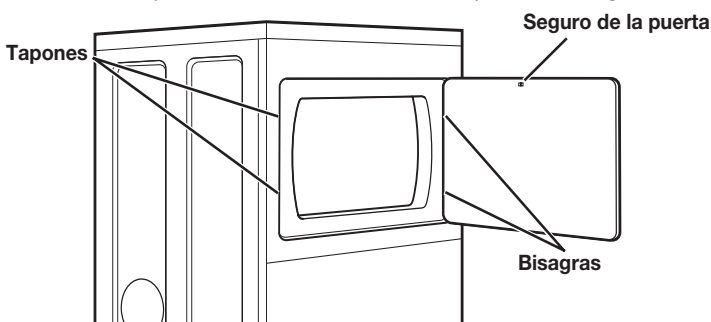
7. Abra la puerta de la secadora. Fíjese si el interior de la secadora está tibio. Si el quemador no se enciende y no siente calor dentro de la secadora, apáguela por cinco minutos. Revise que todos los controles de la válvula de suministro estén en la posición ON (Encendido), y que el cable eléctrico esté enchufado. Repita la prueba de cinco minutos.
8. Si el tiempo de secado es demasiado largo, cerciórese de que el filtro de pelusa esté limpio y no hayan obstrucciones del flujo de aire en el sistema de ventilación de la secadora.
9. Reinicie la secadora y deje que complete un ciclo de calor completo (no un ciclo de aire) para asegurarse de que esté funcionando adecuadamente.

## CAMBIO DE SENTIDO DE LA APERTURA DE LA PUERTA (OPCIONAL)

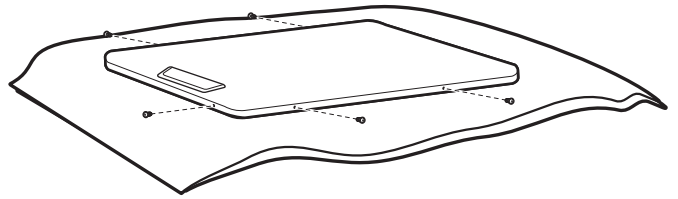
Puede cambiar el sentido de apertura de la puerta de una apertura al lado derecho al lado izquierdo si así lo desea.

### Cómo quitar el ensamblaje de la puerta

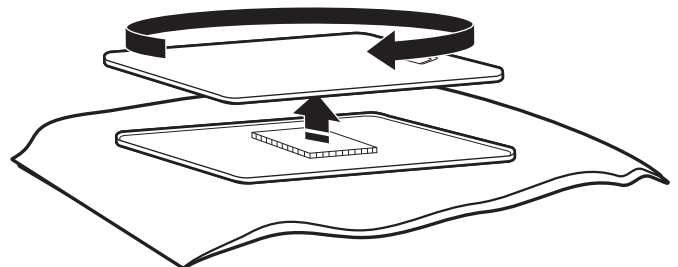
1. Coloque una toalla o un paño suave en la parte superior de la superficie de trabajo para evitar rayar la superficie.
2. Abra la puerta de la secadora. Quite los tornillos cabeza de botón del lado de las bisagras sujetado a la carcasa. Afloje (no quite) los tornillos superiores del lado de la carcasa que tiene bisagras.



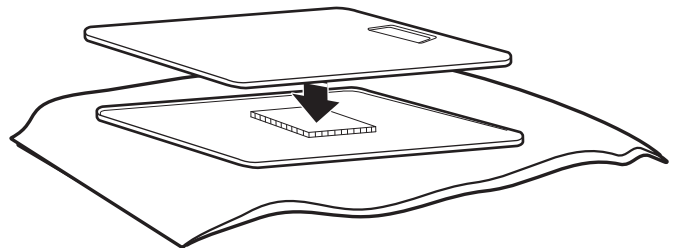
3. Levante la puerta hasta que los tornillos superiores de la carcasa estén en la parte grande de la ranura de la bisagra. Jale hacia adelante para sacarla de los tornillos. Coloque la puerta (con el lado de la manija hacia arriba) encima de la toalla. Quite los tornillos superiores de la carcasa.
4. Retire los tornillos que fijan las bisagras a la puerta.
5. Quite los tornillos de la parte superior, inferior y lateral de la puerta (cinco tornillos).



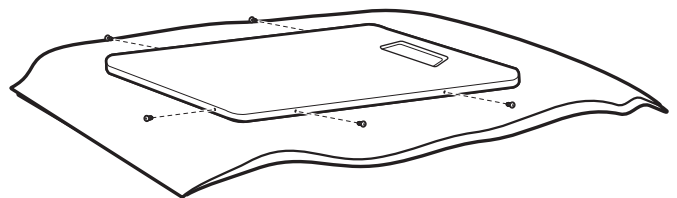
6. Sosteniendo la puerta sobre la toalla, tome los lados de la parte exterior de la puerta y levántela suavemente para separarla de la puerta interior. Do use un cuchillo para masilla para apalancar. No jale el sello de la puerta ni el seguro de plástico de la puerta.



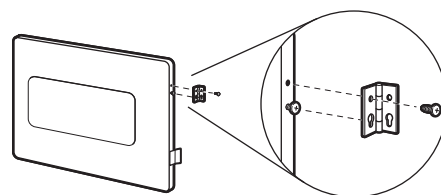
7. Asegúrese de mantener el espaciador de cartón centrado entre las puertas. Vuelva a sujetar el panel exterior al panel interior de la puerta, de modo que la manija quede en el lado en donde recién se han quitado las bisagras.



8. Vuelva a colocar los tornillos en la parte superior, inferior y lateral de la puerta (cinco tornillos).

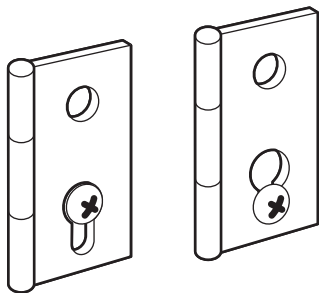


9. Fije las bisagras de la puerta a la puerta de la secadora para que el orificio más grande quede en la parte inferior de la bisagra y el pasador de la bisagra mire hacia la puerta frontal.



10. Quite los cuatro tornillos que sujetan dos tapones en el lado izquierdo. Sujete los tapones al lado derecho con los mismos cuatro tornillos.

11. Inserte los tornillos en los orificios inferiores del lado izquierdo de la carcasa. Apriete los tornillos hasta la mitad. Coloque la puerta de modo que el extremo grande de la ranura de la bisagra de la puerta esté sobre los tornillos. Deslice la puerta hacia arriba, de modo que los tornillos queden en la parte inferior de las ranuras. Apriete los tornillos. Inserte y apriete los tornillos superiores en las bisagras.



12. Cierre la puerta y verifique que el tope de la misma esté alineado con el seguro de la puerta. De ser necesario, deslice el seguro de la puerta hacia la izquierda o derecha dentro de la ranura para ajustar el alineamiento.

## INSTRUCCIONES DE MANTENIMIENTO

- Limpie el filtro de pelusa antes y después de cada ciclo.
- Eliminación de pelusa acumulada  
En el interior del gabinete de la secadora:  
La pelusa debe ser quitada por lo menos cada dos años o con más frecuencia, dependiendo del uso que se le dé a la secadora. La limpieza deberá efectuarla una persona competente.  
Desde el ducto de escape:  
La pelusa debe ser quitada por lo menos cada dos años o con más frecuencia, dependiendo del uso que se le dé a la secadora.
- Mantenga el área alrededor de la secadora limpia y libre de materiales combustibles, gasolina y otros vapores y líquidos inflamables.
- Mantenga el área donde está la secadora despejada y libre de artículos que pudieran obstruir el flujo de aire para la combustión y la ventilación.

### Si la secadora no funciona, revise lo siguiente:

- Que el suministro eléctrico esté conectado.
- El disyuntor no se disparó o el fusible de la casa no está quemado.
- Que la puerta esté cerrada.
- Que los controles estén fijados en una posición de funcionamiento u ON (Encendido).
- Que se haya seleccionado el ciclo.
- Para las secadoras a gas, revise que las válvulas de cierre del suministro de gas estén en la posición abierta.

## SI NECESITA ASISTENCIA

Comuníquese con su distribuidor autorizado de lavandería comercial. Para ubicar a su distribuidor autorizado de aparatos de lavandería comercial, o para solicitar información por internet, visite [www.whirlpoolcommerciallaundry.com](http://www.whirlpoolcommerciallaundry.com).

Si no puede localizar al distribuidor, el Centro de apoyo para lavandería comercial contestará cualquier pregunta que usted tenga acerca del funcionamiento y mantenimiento de la secadora que no esté cubierta en las Instrucciones de instalación.

Simplemente llame al **1-866-698-2538** — la llamada es gratis.

Cuando llame, usted necesitará tener a mano el número del modelo y de la serie de la secadora. Ambos números se encuentran en la placa de clasificación de serie que está ubicada en la parte de la puerta de la secadora.

## INSTRUCCIONES DE PROGRAMACIÓN DEL CONTROL ELECTRÓNICO

### IMPORTANTE

#### Componentes electrónicos sensibles a la descarga electrostática (ESD)

Los problemas de descarga electrostática se encuentran presentes en cualquier lugar. Las descargas electrostáticas pueden dañar o debilitar el ensamblaje del control electrónico. El nuevo ensamblaje del control puede parecer que funciona bien después de que se haya terminado la reparación, pero podrían ocurrir fallas en una fecha posterior debido a la tensión provocada por la descarga electrostática.

- Utilice una correa antiestática para muñeca. Conecte la correa para muñeca a un punto verde de conexión a tierra, o a una pieza de metal que no esté pintada en el artefacto.  
– O BIEN –  
Toque varias veces con el dedo un punto verde de conexión a tierra o una pieza de metal que no esté pintada en el artefacto.
- Antes de sacar la pieza de su paquete, toque un punto verde de conexión a tierra o una pieza de metal sin pintar en el electrodoméstico con la bolsa antiestática.
- Evite tocar las piezas electrónicas o los contactos terminales; manipule el conjunto del control electrónico solamente por los bordes.
- Cuando vuelva a empacar el ensamblaje del control electrónico fallado en una bolsa antiestática, observe las instrucciones anteriores.

### Información general para el usuario

**LOCALICE LA LLAVE:** La llave está ubicada dentro del tambor con este material impreso y las tapas de las patas.

**NO AFLOJE** esta llave: La llave se utiliza para ingresar al modo de servicio y permitirle configurar la máquina para el uso. Las máquinas vienen preconfiguradas de fábrica:

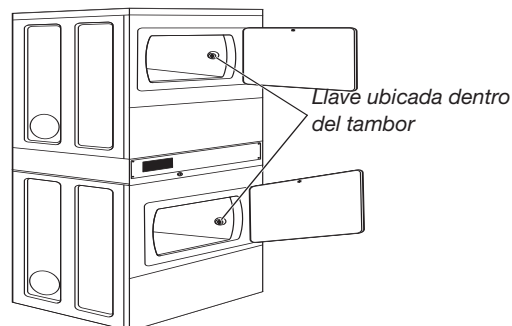
**MODELO DE MONEDAS** (orificio de moneda o funcionamiento gratuito, ver nota): Estos modelos están configurados para una duración de ciclo de secado de 30 minutos a un costo de \$1,50 por ciclo como configuración predeterminada de fábrica.

La configuración predeterminada del modo 6 es 06. La configuración predeterminada de fábrica del modo 7 es de 05 (la duración máxima es de 75 minutos).

El precio y el tiempo se configuran principalmente a través de los modos 6 y 7. El modo 6 es el número de entradas de monedas o débitos (es decir, por defecto = 6 = \$1,50) y el modo 7 es el tiempo de ciclo por entradas de monedas o débitos. La configuración predeterminada de fábrica del modo 7 es de 5 (la duración máxima es de 75 minutos).

El modo 6 y el modo 7 se multiplican para determinar la duración del ciclo. (6 x 5 = 30 minutos por ciclo de forma predeterminada).

**NOTA:** Si configura el modo 6 en 00, funcionará de forma gratuita y la duración del ciclo lo considerará un 1. Entonces, si el modo 6 es igual a 00 y el modo 7 es igual a 45, la duración del ciclo es de 45 minutos sin costo. **MODELO SIN MONEDAS** (gratuito o pago con lector de tarjeta) La configuración predeterminada de estos modelos es modo 6 = 00 y modo 7 = 45 (el tiempo máximo es de 75 minutos). Esto es un funcionamiento gratuito con una duración del ciclo de 45 minutos.



**PANTALLA EN BLANCO:** Esta condición indica que el aparato no funciona. Verifique la energía a la máquina. (**Nota:** En los modelos eléctricos, las secadoras superiores e inferiores tienen cables eléctricos separados, compruebe la energía para ambas secadoras). Si la máquina tiene el suministro de energía correcto; ingrese al modo de servicio y revise los códigos de diagnóstico.

**APARECE “0 MINUTOS” EN LA PANTALLA:** Esto indica que el ciclo anterior está completo o se realizó un reinicio en la máquina. Al abrir la(s) puerta(s), la pantalla volverá al estado Precio de venta o Disponible.

**Ajustes predeterminados de fábrica:** La secadora está programada de fábrica como se describe a continuación:

5 minutos de tiempo de secado/entradas de monedas o débitos (moneda 1)

Precio de secado de USD 1,50 (ciclo fijo con tiempo adicional – modelos con moneda)

Precio de secado de USD 0,00 (ciclo fijo – modelos sin moneda/ modelos habilitados para tarjeta)

**WARM START (Inicio en caliente, después de un corte de corriente):** Algunos segundos después de que la energía haya vuelto, si un ciclo se encontraba en curso en el momento del corte, aparecerá “RESELECT CYCLE” (Vuelva a seleccionar el ciclo) en la pantalla, lo que indica que debe presionar el botón para reiniciar la secadora.

**PRECIO:** Después de que se abre y cierra la puerta tras un ciclo finalizado, la pantalla indica el precio del ciclo (a menos que esté configurado para funcionar sin cobrar). A medida que caen las monedas o llega el pago con débito, la pantalla cambiará para guiar al usuario para que comience un ciclo.

**Hay cuatro (4) tipos de precios para la secadora:**

#### Precio Fixed “Vend” (Fijo de “venta”)

Una secadora programada para un funcionamiento de “ciclo fijo” solamente puede aceptar tiempo adicional que se haya acumulado en incrementos iguales a la duración de un ciclo de secado completo. Se puede comprar una cantidad máxima de minutos; no se da crédito adicional por monedas adicionales una vez que aparece el máximo de minutos en la pantalla.

#### Precio del acumulador

Si se configura el precio de una moneda 1, rige el precio del acumulador (debe seleccionarse la opción de ciclo fijo con tiempo adicional). El tiempo del ciclo se puede comprar con una moneda a la vez, hasta un tiempo máximo de 75 minutos. Todo el dinero se abonará a un ciclo si presiona el botón una sola vez mientras esté en el precio del acumulador.

#### Ciclo fijo con precio por tiempo adicional

Una secadora programada con la función de “tiempo adicional” permitirá que se agregue tiempo a un ciclo de secado en funcionamiento, en incrementos iguales al número de minutos de secado por entradas de monedas o débitos (moneda 1), hasta el máximo de minutos, independientemente del monto necesario para poner en marcha la secadora. No se darán créditos por las monedas o el débito ingresado cuando aparece el máximo de minutos.

Modelos sin moneda/habilitados para tarjeta: En el modo de débito mejorado, el precio del tiempo adicional se puede fijar independientemente. (Consulte VALOR DE LA MONEDA 2), y el tiempo adicional se calcula de acuerdo a la siguiente ecuación:

$$\frac{\text{precio por tiempo adicional}}{\text{precio de ciclo completo}} = \frac{\text{cantidad de tiempo adicional}}{\text{duración de ciclo completo}}$$

Los incrementos con centavos no están permitidos en las compras de tiempo adicional.

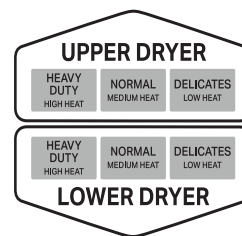
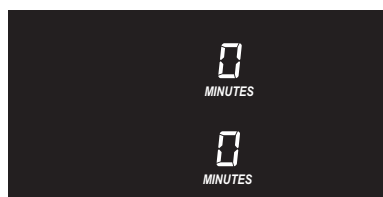
**CICLOS GRATUITOS:** Esto se establece cuando ajusta el precio del ciclo en cero. Cuando esto ocurre, aparecerá SELECT CYCLE (Seleccionar ciclo) en lugar del precio del ciclo. Todos los ciclos que comienzan como ciclos gratuitos finalizarán cuando abra la puerta.

**LISTA PARA TARJETA DE DÉBITO:** Esta secadora está lista para las tarjetas de débito. Aceptará una variedad de sistemas de tarjeta de débito, pero NO viene con un lector de tarjetas de débito. Consulte al fabricante de lectores de tarjeta de pago automático para informarse sobre la programación adecuada en secadoras. En los modelos convertidos al sistema de tarjetas de débito de Generación 1, los pulsos de débito representan al equivalente de una moneda (moneda 1).

#### Pantalla

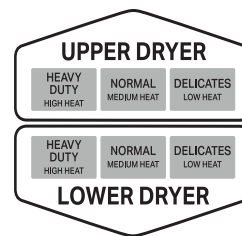
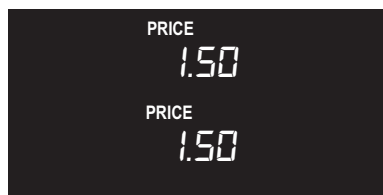
Después de que se instale y enchufe la secadora, la pantalla mostrará “0 minutos” (0 minutos).

## Modelos sin moneda/habilitados para tarjeta



Una vez que se haya enchufado la unidad y se haya abierto y cerrado la puerta de la secadora se mostrará el precio en la pantalla. En los modelos sin moneda/habilitados para tarjeta que se hayan programado para dar ciclos gratuitos, destellará “SELECT CYCLE” (Seleccionar ciclo – no se muestra) en la pantalla.

## Modelos con moneda



## Procedimientos para la preparación del control

**IMPORTANTE:** Lea todas las instrucciones antes de usarla.

Los botones para la selección de las telas y la pantalla digital se utilizan para programar los controles de la secadora. En la pantalla se pueden mostrar cuatro números y/o letras y un punto decimal. Estos se usan para indicar los códigos de la preparación y los valores relacionados de los códigos para el uso de la programación del electrodoméstico.

## Cómo utilizar los botones para programar los controles

1. El botón HEAVY DUTY (Intenso) se usa para ajustar los valores asociados con el código de programación. Presionar el botón cambiará el valor en incrementos de uno (1). Se puede hacer ajustes rápidamente si se mantiene presionado el botón.
2. El botón NORMAL hará avanzar los códigos de programación. Presionar este botón avanzará al siguiente código de programación disponible. Mantener presionado el botón DELICATES (Ropa delicada) le muestra automáticamente todos los códigos de programación a una velocidad más rápida que un (1) por segundo.
3. El botón DELICATES (Ropa delicada) se utiliza para seleccionar o quitar opciones.

■ Modelos con moneda: Inserte la llave del panel de acceso y gírela en dirección contraria a las manecillas del reloj.

■ Modelos sin moneda/habilitados para tarjeta: Si se instala un lector de tarjetas, una vez que se haya instalado el lector de tarjeta de débito (según las instrucciones del fabricante de lectores), se puede ingresar al modo de preparación insertando la tarjeta de programación manual (provista por el fabricante de lectores) en la ranura para tarjeta. Si no se va a instalar un lector de tarjetas, inserte la llave del panel de acceso y gire en sentido contrario de las manecillas del reloj.

Si no se tiene una tarjeta de programación manual, se puede ingresar al modo de programación manual girando la llave del panel de acceso. La secadora se encuentra ahora en el modo de programación.

**NOTA:** Esta secadora viene programada de fábrica y no necesita programación adicional. Sin embargo, si desea cambiar los ajustes, siga la siguiente guía “Códigos de programación”.

■ Esta secadora está preestablecida de fábrica para tener un precio fijo con tiempo adicional.

## Códigos de programación

MODELOS SIN MONEDA/HABILITADOS PARA TARJETA: Los códigos de programación son los mismos que para los modelos con moneda, salvo cuando se menciona.

**NOTA:** La programación de selecciones aplica para ambas secadoras. Se accede a las selecciones de secadoras apiladas presionando los botones LOWER DRYER (Secadora inferior); no puede programar la secadora superior de forma diferente a la secadora inferior ni viceversa.

El código de preparación se indica con uno o dos caracteres al lado izquierdo. El valor del código se indica con dos o tres caracteres al lado derecho.

**NOTA:** Los códigos de configuración marcados con \* pueden transferirse de una máquina a otra (deben ser del mismo tipo de modelo) por medio de una memoria USB.

Código	Explicación
606	<b>CANTIDAD DEL CICLO COMÚN PARA EMPEZAR*</b>
El modo 6 le permite configurar cuántas Monedas o pulsos de tarjeta de débito quiere que los clientes paguen por el ciclo (es decir, si el modo 6 está configurado en 6, significa que se necesitarán 6 monedas o débitos o \$1,50 para iniciar el ciclo).	
606	Representa la cantidad de monedas o débito que se requiere para iniciar un ciclo común. Consulte el ajuste de Valor de la moneda 1. El ajuste predeterminado de fábrica de los modelos de moneda es 606 (Requiere 6 monedas o débito). El ajuste predeterminado de fábrica de los modelos sin moneda es 600 (Venta libre). Utilice el botón HEAVY DUTY (intenso) para ajustar de 0 a 39. Utilice el botón NORMAL para avanzar al siguiente código.
705	<b>TIEMPO DE SECADO DEL CICLO REGULAR*</b>
El modo 7 es la cantidad de tiempo por ciclo en minutos. Utiliza la cantidad de monedas o débitos del modo 6 y la multiplica por la cantidad configurada en el modo 7 para obtener la duración del ciclo (es decir, si el modo 6 = 6 y el modo 7 = 5, el tiempo por ciclo es de 6 X 5 o 30 minutos).	
705	Representa la cantidad de minutos del ciclo regular por moneda o débito ingresado. Ejemplo - Ajuste de inicio de cantidad regular es igual a 606 y el ajuste de tiempo de secado del ciclo regular es igual a 705, entonces 6 x 5 = 30. El tiempo del ciclo regular es de 30 minutos. El ajuste predeterminado de fábrica es 705 (5 minutos por moneda/débito ingresado). Ajustable de 01 a 75 utilizando el botón HEAVY DUTY (intenso). Utilice el botón NORMAL para avanzar al siguiente código.
800	<b>TIPO DE PRECIOS DE SECADO*</b>
El Modo 8 permite establecer un tiempo adicional para que el usuario mantenga la ropa dentro y continúe el ciclo (es decir, si se establece en 00, el cliente puede obtener un tiempo de ciclo adicional por cada moneda o débito insertado). El tiempo adicional se basa en el valor del Modo 7. Si el modo 8 está configurado en FC, no se permite tiempo adicional.	
800	Ciclo fijo con tiempo adicional.
8FC	Ciclo fijo. Use el botón DELICATES (Ropa delicada) para hacer esta selección. SOLO MODELOS SIN MONEDA/HABILITADOS PARA TARJETA (PR): Configuración de fábrica para FC (Ciclo fijo). MODELO CON MONEDA: Preajuste de fábrica de 00. ■ Presione el botón NORMAL una vez para avanzar al siguiente código.

Código	Explicación
9 00	<b>OPCIÓN DE CONTADOR DE CICLOS *</b> Esta opción es ya sea NO SELECCIONADA "OFF" (Desactivada) o SELECCIONADA "ON" (Activada).
El modo 9 le permite llevar un registro de cuántos ciclos ha realizado su máquina.	
<b>Si el contador del ciclo (9 0C) está seleccionado, ocurre lo siguiente:</b>	
1 00	Ciclos en CIENTOS <span style="float: right;">1 <u>02</u> = 200</span>
2 00	Ciclos en UNIDADES <span style="float: right;">2 <u>25</u> = 25</span>
TOTAL DE CICLOS = 225	
Esto es "VIEW ONLY" (Solo lectura) y no se puede borrar.	
■ Presione el botón NORMAL una vez para avanzar al siguiente código.	
El modo 1.00 indica cuánto dinero ha recolectado la máquina si usted quiere llevar un registro de eso.	
1. 00	<b>OPCIÓN DE CONTADOR DE DINERO*</b> Esta opción es ya sea NO SELECCIONADA "OFF" (Desactivada) o SELECCIONADA "ON" (Activada).
1. 00	No seleccionada "OFF" (Apagado).
1. 0C	Seleccionada "ON" (Encendido). ■ Presione el botón DELICATES (Ropa delicada) tres veces consecutivas para seleccionar "ON" (Activada) y tres veces consecutivas para quitar la opción (No seleccionada "OFF" [Desactivada]). El contador se reinicia al pasar de "ON" (Encendido) a "OFF" (Apagado).
1. C0	Seleccionada "ON" (Encendido), y no se puede anular. ■ Para seleccionar "ON" (Activada) y que no se pueda anular la selección, seleccione primero "ON" (Activada) y luego en menos de dos segundos, presione dos veces el botón DELICATES (Ropa delicada), el botón HEAVY DUTY (Intenso) una vez y salga del modo de programación. ■ Presione el botón NORMAL una vez para avanzar al siguiente código.
<b>Si el contador de dinero (1.0C o 1.C0) está seleccionado, ocurre lo siguiente:</b>	
3 00	Dólares en CIENTOS <span style="float: right;">3 <u>01</u> = USD 100,00</span>
4 00	Dólares en UNIDADES <span style="float: right;">4 <u>68</u> = USD 68,00</span>
5 00	Número de CENTAVOS <span style="float: right;">5 <u>75</u> = USD 00,75</span>
TOTAL = \$168,75	
El modo 2.00 le permite configurar precios especiales, por ejemplo, un costo o una duración del ciclo diferente en horas específicas de días específicos.	
2.00	<b>OPCIONES DE PRECIOS ESPECIALES</b> Esta opción es ya sea NO SELECCIONADA "OFF" (Desactivada) o SELECCIONADA "ON" (Activada).
2. 00	No seleccionada "OFF" (Apagado) y el próximo código disponible será A.00.
2. SP	Seleccionada "ON" (Encendido). ■ Presione el botón DELICATES (Ropa delicada) una vez para cambiar esta selección.
<b>Si SPECIAL PRICING OPTION (Opción de precio especial) está seleccionada, se puede acceder a los códigos desde "3.XX" hasta "9.XX".</b>	
■ Presione el botón NORMAL una vez para avanzar al siguiente código.	
<b>OPCIONES 3.XX A 9.XX PARA SU USO SI SE SELECCIONAN PRECIOS ESPECIALES. Si no se seleccionan precios especiales, estas opciones se ignoran y se vuelve a la configuración predeterminada de los tiempos de los modos 6 y 7.</b>	

Código	Explicación
3.06	<b>PRECIO PARA CICLOS ESPECIALES</b>
3.06	Representa el número de monedas o débitos para poner en marcha la secadora; puede ajustarse de 0 a 39. (Consulte VALOR DE LA MONEDA 1 b.05.) Avance de 0 a 39 presionando el botón HEAVY DUTY (INTENSO). El valor de fábrica es 6 monedas o débitos = \$1,50. MODELOS PR ÚNICAMENTE: El ajuste predeterminado de fábrica para 0 Monedas o débito ingresado. ■ Presione el botón NORMAL una vez para avanzar al siguiente código.
4.05	<b>TIEMPO DE SECADO ESPECIAL</b>
4.05	Representa el número de minutos por moneda o débito (consulte el valor de la Moneda 1). ■ Ajuste de fábrica de 5 minutos por cada moneda Ejemplo: 6 monedas o débitos x 5 minutos = 30 minutos. ■ Al presionar el botón HEAVY DUTY (INTENSO), el valor se puede ajustar de 1 al máximo de minutos. ■ Presione el botón NORMAL una vez para avanzar al siguiente código.
5.00	<b>RELOJ CON LA HORA DEL DÍA, MINUTOS</b>
5.00	Esta es la configuración de RELOJ CON LA HORA DEL DÍA, minutos; seleccione de 0 a 59 minutos presionando el botón HEAVY DUTY. ■ Presione el botón NORMAL una vez para avanzar al siguiente código.
6.00	<b>RELOJ CON LA HORA DEL DÍA, HORAS</b> <b>NOTA:</b> Usa la hora militar o un reloj de 24 horas.
6.00	Esta es la configuración de RELOJ CON LA HORA DEL DÍA, horas; seleccione de 0 a 23 horas presionando el botón HEAVY DUTY (Intenso). ■ Presione el botón NORMAL una vez para avanzar al siguiente código.
7.00	<b>HORA EN QUE EMPIEZA EL PRECIO ESPECIAL</b> <b>NOTA:</b> Usa la hora militar o un reloj de 24 horas.
7.00	Esta es la hora de inicio; de 0 a 23 horas. ■ Seleccione la HORA DE INICIO presionando el botón HEAVY DUTY (Intenso). ■ Presione el botón NORMAL una vez para avanzar al siguiente código.
8.00	<b>HORA EN QUE TERMINA EL PRECIO ESPECIAL</b> <b>NOTA:</b> Usa la hora militar o un reloj de 24 horas.
8.00	Esta es la hora de detención; de 0 a 23 horas. ■ Seleccione la HORA DE TERMINACIÓN presionando el botón HEAVY DUTY (Intenso). ■ Presione el botón NORMAL una vez para avanzar al siguiente código.
9.10	<b>DÍA DE PRECIO ESPECIAL</b>
9.10	Esto representa el día de la semana y si se ha seleccionado o no un precio especial para ese día. Un número seguido por un "0" indica que no se hizo una selección para ese día en particular (9.10). Un número seguido por la letra "S" indica que se ha hecho una selección para ese día (9.1S). Los días de la semana (de 1 a 7) se seleccionan presionando el botón HEAVY DUTY (Intenso). Presione una vez el botón DELICATES (Ropa delicada) para seleccionar el precio especial para cada día elegido.

Código	Explicación																								
	Cuando salga del código de programación "9", la pantalla debe mostrar el día de la semana actual:																								
	<table border="1"> <thead> <tr> <th>PANTALLA</th> <th>DÍA DE LA SEMANA</th> <th>CÓDIGO (seleccionado)</th> </tr> </thead> <tbody> <tr> <td>10</td> <td>Día 1 = Domingo</td> <td>1S</td> </tr> <tr> <td>20</td> <td>Día 2 = Lunes</td> <td>2S</td> </tr> <tr> <td>30</td> <td>Día 3 = Martes</td> <td>3S</td> </tr> <tr> <td>40</td> <td>Día 4 = Miércoles</td> <td>4S</td> </tr> <tr> <td>50</td> <td>Día 5 = Jueves</td> <td>5S</td> </tr> <tr> <td>60</td> <td>Día 6 = Viernes</td> <td>6S</td> </tr> <tr> <td>70</td> <td>Día 7 = Sábado</td> <td>7S</td> </tr> </tbody> </table>	PANTALLA	DÍA DE LA SEMANA	CÓDIGO (seleccionado)	10	Día 1 = Domingo	1S	20	Día 2 = Lunes	2S	30	Día 3 = Martes	3S	40	Día 4 = Miércoles	4S	50	Día 5 = Jueves	5S	60	Día 6 = Viernes	6S	70	Día 7 = Sábado	7S
PANTALLA	DÍA DE LA SEMANA	CÓDIGO (seleccionado)																							
10	Día 1 = Domingo	1S																							
20	Día 2 = Lunes	2S																							
30	Día 3 = Martes	3S																							
40	Día 4 = Miércoles	4S																							
50	Día 5 = Jueves	5S																							
60	Día 6 = Viernes	6S																							
70	Día 7 = Sábado	7S																							
	■ Presione el botón NORMAL una vez para avanzar al siguiente código.																								
A. 00	<b>OPCIÓN PARA VER EL DEPÓSITO*</b> Esta opción NO SE SELECCIONA "OFF" (Desactivada) o se SELECCIONA "ON" (Activada).																								
	A. 00 en el modo A, si está configurado en SC, puede ver el conteo de dinero o de ciclos cuando se quita el depósito de monedas. No seleccionado "OFF" (Apagado).																								
A. SC	Seleccionado "ON" (Encendido). ■ Presione el botón DELICATES (Ropa delicada) una vez para cambiar esta selección. Cuando esté seleccionada, se podrá ver el recuento del dinero o el ciclo (si las opciones de contador están seleccionadas) al retirar la caja de las monedas. ■ Presione el botón NORMAL una vez para avanzar al siguiente código.																								
b. 05	<b>VALOR DE LA MONEDA 1*</b>																								
	Esto representa el valor de la moneda 1 en el número de incrementos del \$0,05 del mayor valor de la moneda. 5 x \$0,05 = \$0,25.																								
b. 05	■ Al presionar el botón HEAVY DUTY (INTENSO), existe la opción de 1 a 199 para la cantidad de incrementos de \$0,05. ■ Presione el botón NORMAL una vez para avanzar al siguiente código.																								
C. 20	<b>VALOR DE LA MONEDA 2*</b>																								
	Esto representa el valor de la moneda 2 en el número de incrementos de \$0,05 del mayor valor de la moneda. 20 x \$0,05 = \$1,00.																								
C. 20	<b>MODELOS PR:</b> Configuración de fábrica de \$0,25. Para los modelos que usan débito mejorado, este campo representa el valor del tiempo adicional en incrementos de \$0,05. ■ Al presionar el botón HEAVY DUTY (INTENSO), existe la opción de 1 a 199 para la cantidad de incrementos de \$0,05. ■ Presione el botón NORMAL una vez para avanzar al siguiente código.																								
E. 00	<b>OPCIÓN DE AGREGAR MONEDAS*</b> Esta opción NO SE SELECCIONA "OFF" (Desactivada) o se SELECCIONA "ON" (Activada). Esta opción hace que la pantalla del cliente muestre el número de monedas (moneda 1) que se deben introducir, en lugar del importe en dólares y centavos. El número de la pantalla cambia a medida que se acepten las monedas.																								



Código	Explicación
El modo E le permite cambiar la pantalla para que muestre cuántas monedas faltan agregar para iniciar el ciclo o el importe que debe agregarse para el ciclo.	
E. 00	No seleccionado "OFF" (Apagado).
E. AC	<p>Seleccionado "ON" (Encendido).</p> <ul style="list-style-type: none"> <li>Presione el botón DELICATES (Ropa delicada) tres veces consecutivas para cambiar esta selección.</li> </ul> <p><b>SOLO MODELOS SIN MONEDA/HABILITADOS PARA TARJETA:</b> En el modo de débito mejorado, esta opción no se puede seleccionar.</p> <ul style="list-style-type: none"> <li>Presione el botón NORMAL una vez para avanzar al siguiente código.</li> </ul>
J. Cd	<b>MODO DE PAGO (OPCIÓN DE MONEDAS/ DEBITO)*</b>
El Modo J es el modo en que está el control: el modelo PD = JCd (configuración predeterminada) y el modelo PR = _d (configuración predeterminada) para débito.	
J. Cd	Se han seleccionado tanto moneda como el pago con tarjeta de débito. Presione el botón DELICATES (Ropa delicada) tres veces consecutivas para cambiar esta selección.
J. C_	Pago con monedas activado, pago con tarjeta de pago automático desactivado. Presione el botón DELICATES (Ropa delicada) tres veces consecutivas para cambiar esta selección.
J. _d	Tarjeta de débito seleccionada, pago con moneda desactivado. Presione el botón DELICATES (Ropa delicada) tres veces consecutivas para cambiar esta selección.
J. Ed	<p>El modo de débito mejorado se elige por sí mismo cuando un lector de tarjeta de Generación 2 se instala en la secadora. La opción Ed (Débito mejorado) no se puede seleccionar ni cancelar manualmente.</p> <ul style="list-style-type: none"> <li>Presione el botón NORMAL una vez para avanzar al siguiente código.</li> </ul>
L. 00	<b>OPCIÓN DE SUPRESIÓN DE PRECIO *</b> Esta opción es ya sea NO SELECCIONADA "OFF" (Desactivada) o SELECCIONADA "ON" (Activada).
El Modo L le permite que el control muestre ADD (Agregar) si hace falta más dinero para iniciar el ciclo o Available (Disponible) después de completar el pago si L = PS. (Sigue mostrando el importe del saldo de la tarjeta si corresponde).	
L. 00	No seleccionado "OFF" (Apagado).
L. PS	<p>Seleccionado "ON" (Encendido).</p> <ul style="list-style-type: none"> <li>Presione el botón DELICATES (Ropa delicada) una vez para cambiar esta selección.</li> <li>Presione el botón NORMAL una vez para avanzar al siguiente código.</li> </ul>
El Modo n le permite borrar la cantidad retenida en el depósito en 30 minutos, lo cual significa que la máquina no retendrá ningún importe en el depósito durante más de 30 minutos cuando esté configurada en CE.	
n. CE	<b>OPCIÓN PARA BORRAR LA CANTIDAD EN EL DEPÓSITO *</b> Esta opción es ya sea NO SELECCIONADA "OFF" (Desactivada) o SELECCIONADA "ON" (Activada). Cuando la seleccione, el dinero que esté depositado durante 30 minutos sin más depósitos o actividad de ciclos se eliminará.
n. 00	No seleccionado "OFF" (Apagado).
n. CE	<p>Seleccionado "ON" (Encendido).</p> <ul style="list-style-type: none"> <li>Presione el botón DELICATES (Ropa delicada) una vez para cambiar esta selección.</li> <li>Presione el botón NORMAL una vez para avanzar al siguiente código.</li> </ul>

## CONFIGURACIÓN DE CONTROLES A TRAVÉS DE USB

Para acceder al menú de configuración de USB, navegue hasta el código de configuración 2.xx (opción de precios especiales). Cuando oprime el botón HEAVY DUTY (Intenso) se activa el submenú del modo de ayuda. El primer submodo dentro del modo de ayuda es la opción USB. Presione el botón HEAVY DUTY (Intenso) en cualquier momento para salir del modo de ayuda.

Submodo	Descripción	Nota
USB	Mientras está en esta pantalla, presione el botón HEAVY DUTY (Intenso) para ingresar al menú USB. El menú USB permite actualizar el software e importar/exportar la configuración de la máquina.	Permite al usuario ingresar al menú USB. Consulte la sección MENÚ USB para obtener más información.

## MENÚ USB

Para acceder al menú USB ingrese al Modo de Ayuda. Mientras está en la pantalla USB, presione el botón HEAVY DUTY (Intenso). Para avanzar por el submenú USB, utilice el botón NORMAL. El botón DELICATES (Ropa delicada) es el botón Seleccionar. Presione el botón HEAVY DUTY (Intenso) en cualquier momento para salir del menú de USB.

Para completar cualquiera de las funciones USB, ambas secadoras no deben estar ejecutando un ciclo, no debe haber un pago en curso y ambas puertas de las secadoras deben estar abiertas.

Consulte la página 74 para conocer la ubicación del puerto USB en el dispositivo y las instrucciones sobre cómo instalar una memoria USB y extraerla del aparato.

Código	Explicación
U0.00	¿Está la unidad USB insertada? (Solo estado).
U0.00	Esto se mostrará si la unidad USB NO se detecta.
U0.00	Esto se mostrará si la unidad USB se detectó.
Presione el botón NORMAL una vez para avanzar al siguiente código.	
U1.00	Modo de programación:
U1.00	Esto se mostrará si la unidad USB no se detecta.
U1.01	Esto aparece si se detecta la unidad USB. Si desea reprogramar los controles, pulse la tecla DELICATES (Ropa delicada) 3 veces. La pantalla alternará entre U1.01 y ProG y luego --.-- mientras la programación esté en curso. Espere a que finalice el proceso; esto puede tardar varios minutos. Después de haber descargado correctamente el software en la máquina, el control puede tardar varios minutos en restablecerse. Una vez finalizado el restablecimiento, la máquina vuelve al modo de cliente o al modo de servicio dependiendo del estado del interruptor de servicio.
donE	La pantalla alternará entre U1.01 y donE cuando la programación haya finalizado correctamente durante 5 segundos. La pantalla volverá entonces al menú de Servicio principal.
FCE4 o FCE5	Si la programación del software no tuvo éxito, la pantalla alternará entre U1.01 y FCE4 o FCE5 durante 5 segundos. La pantalla volverá entonces al menú de Servicio principal.
Presione el botón NORMAL una vez para avanzar al siguiente código.	

Código	Explicación
U2.00	Exportar los ajustes de la máquina a la unidad USB.
U2.00	Esto se mostrará si la unidad USB no se detecta.
U2.01	Esto aparece si se detecta la unidad USB. Si desea exportar los ajustes de la máquina a una unidad USB, pulse la tecla DELICATES (Ropa delicada) 3 veces. La pantalla alternará entre U2.01 y ProG y luego --,-- mientras la exportación esté en curso.
donE	La pantalla alternará entre U2.01 y donE cuando la exportación haya finalizado correctamente durante 5 segundos. La pantalla volverá entonces al menú de Servicio principal.
FCE4 o FCE5	Si la exportación no ha tenido éxito, la pantalla alternará entre U2.01 y FCE4 o FCE5 durante 5 segundos. La pantalla volverá entonces al menú de Servicio principal.
Presione el botón NORMAL una vez para avanzar al siguiente código.	
U3.00	Importar los ajustes de la máquina desde la unidad USB.
U3.00	Esto se mostrará si la unidad USB no se detecta.
U3.01	Esto aparece si se detecta la unidad USB. Si desea importar los ajustes de la máquina desde una unidad USB a la máquina, pulse la tecla DELICATES (Ropa delicada) 3 veces. La pantalla alternará entre U3.01 y ProG y luego --,-- mientras la importación esté en curso.
donE	La pantalla alternará entre U3.01 y donE cuando la importación haya finalizado correctamente durante 5 segundos. La pantalla volverá entonces al menú de Servicio principal.
FCE4 o FCE5	Si la importación no ha tenido éxito, la pantalla alternará entre U3.01 y FCE4 o FCE5 durante 5 segundos. La pantalla volverá entonces al menú de Servicio principal.
Presione el botón NORMAL una vez para avanzar al siguiente código.	
U4.00	Exportador de données d'audit de la machine de la clé USB.
U4.00	Esto aparece si no se detecta la unidad USB.
U4.01	Esto aparece si se detecta la unidad USB. Si desea exportar los datos de auditoría de la máquina a una unidad USB, pulse la tecla DELICATES (Ropa delicada) 3 veces. La pantalla alternará entre U4.01 y ProG, luego U2.01 y ProG y después --,-- mientras se realiza la exportación.
donE	La pantalla alternará entre U4.01 y donE cuando la exportación haya finalizado correctamente durante 5 segundos. La pantalla volverá entonces al menú de Servicio principal.
FCE4 o FCE5	Si la exportación no ha tenido éxito, la pantalla alternará entre U4.01 y FCE4 o FCE5 durante 5 segundos. La pantalla volverá entonces al menú de Servicio principal.
Presione el botón NORMAL una vez para avanzar al siguiente código.	

## FINALIZACIÓN de los PROCEDIMIENTOS DE PROGRAMACIÓN SALIDA DEL MODO DE PROGRAMACIÓN

Gire la llave del panel de acceso de regreso a su posición original.

## CÓMO ACCEDER AL PUERTO USB

Si usa una memoria USB para cambiar los ajustes de control electrónico

### ⚠ ADVERTENCIA



#### Peligro de Choque Eléctrico

Desconecte el suministro de energía antes de darle mantenimiento.

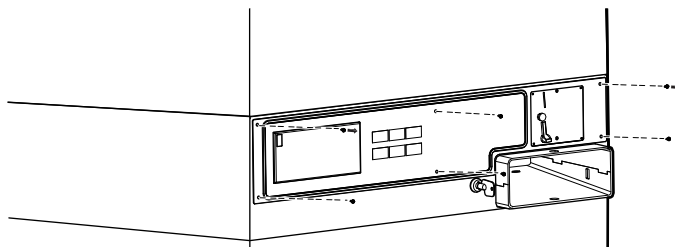
Vuelva a colocar todos los componentes y paneles antes de hacerlo funcionar.

No seguir estas instrucciones puede ocasionar la muerte o choque eléctrico.

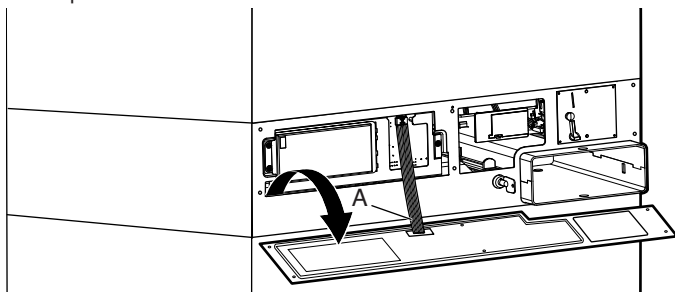
### Para instalar o quitar una memoria USB

El puerto USB se encuentra en la placa de control de pantalla.

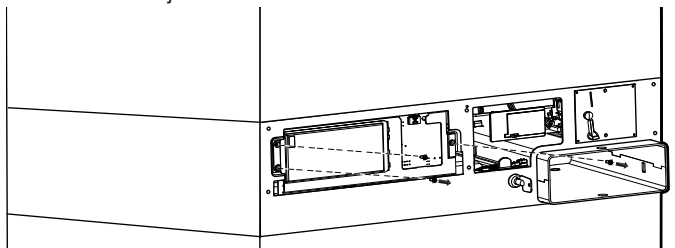
1. Quite los seis tornillos para permitir que el panel frontal jale y gire hacia afuera del collar del conjunto. No deseche los tornillos del panel frontal.



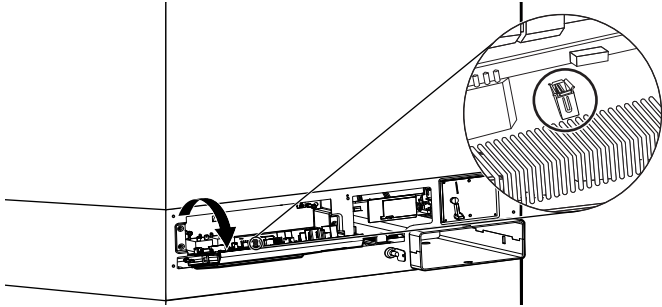
2. Quite los seis tornillos para permitir que el panel frontal jale y gire hacia afuera del collar del conjunto. No deseche los tornillos del panel frontal.



3. Quite los tres tornillos del soporte para permitir que la placa de control de la pantalla y el conjunto del soporte giren hacia afuera del ensamblaje del collar. No deseche los tornillos.



4. Gire el tablero del control de la pantalla y el conjunto del soporte hacia afuera para brindar acceso al tablero de control de la interfaz de usuario.



5. Instale la unidad USB en el puerto USB o retírela del lugar.  
6. Vuelva a poner el tablero de control de la pantalla y el conjunto del soporte con los tres tornillos que quitó anteriormente.

7. Vuelva a colocar el panel frontal con los seis tornillos que quitó anteriormente.

## **⚠ ADVERTENCIA**



### **Peligro de Choque Eléctrico**

**Conecte a un contacto de pared de conexión a tierra de 3 terminales.**

**No quite la terminal de conexión a tierra.**

**No use un adaptador.**

**No use un cable eléctrico de extensión.**

**No seguir estas instrucciones puede ocasionar la muerte, incendio o choque eléctrico.**

8. Reconecte el suministro eléctrico.

# NOTAS

# NOTAS

# NOTAS

# NOTAS

