



INSTALLATION INSTRUCTIONS

Commercial Dryer Gas or Electric

INSTRUCTIONS D'INSTALLATION

Sécheuse commerciale (gaz et électrique)

INSTRUCCIONES DE INSTALACIÓN

Secadora comercial eléctrica o a gas

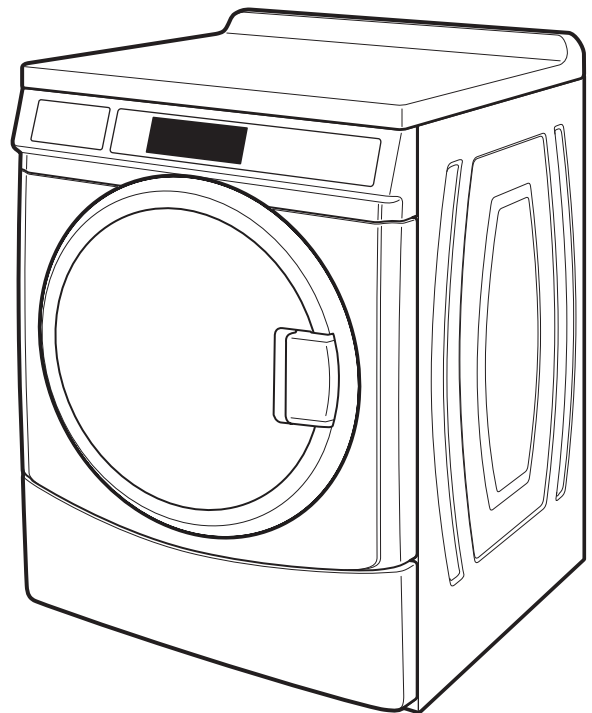
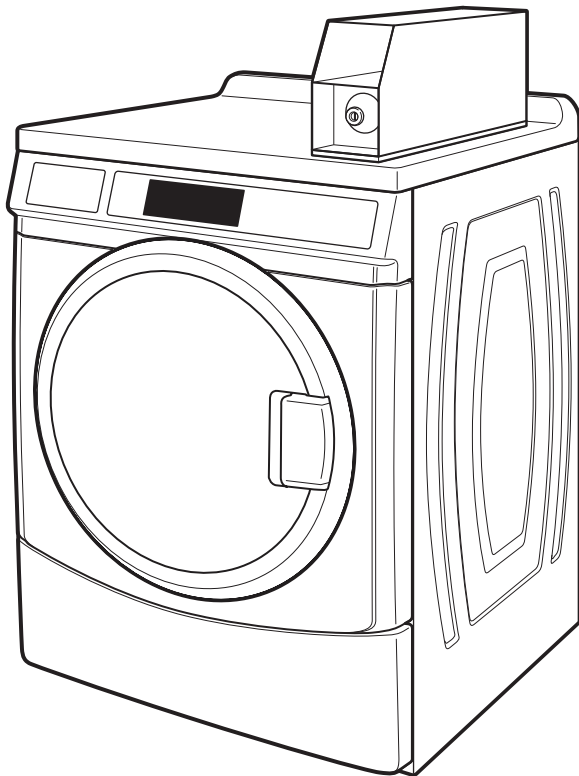


TABLE OF CONTENTS

	Page
DRYER SAFETY	3
INSTALLATION REQUIREMENTS	5
Tools and Parts	5
Dimensions/Clearances	6
Venting Requirements	7
Gas Dryer Installation Requirements	9
Electric Dryer Installation Requirements	12
INSTALLING LEVELING LEGS, COIN SLIDE, AND COIN BOX	15
LEVELING	16
INSTALLATION INSTRUCTIONS – GAS DRYER	16
Make Gas Connection	16
ELECTRIC DRYER ELECTRICAL CONNECTIONS (FOR U.S.A. ONLY)	17
COMPLETE INSTALLATION	22
REVERSING DRYER DOOR SWING	22
MAINTENANCE INSTRUCTIONS	25
IF YOU NEED ASSISTANCE	25
ELECTRONIC CONTROL SETUP INSTRUCTIONS	25

ÍNDICE

	Página
SEGURIDAD DE LA SECADORA	62
REQUISITOS DE INSTALACIÓN	64
Herramientas y piezas	64
Dimensiones/espacios libres	65
Requisitos de ventilación	66
Requisitos de instalación de la secadora a gas	68
Requisitos de instalación de la secadora eléctrica	71
INSTALACIÓN DE LAS PATAS NIVELADORAS, TRAGAMONEDAS Y CAJA DE MONEDAS	74
NIVELACIÓN	75
INSTRUCCIONES DE INSTALACIÓN – SECADORA A GAS ...	75
Conexión del suministro de gas	75
CONEXIONES ELÉCTRICAS DE LA SECADORA ELÉCTRICA (SOLO PARA EE. UU.)	76
INSTALACIÓN COMPLETA	81
INVERSIÓN DEL SENTIDO DE APERTURA DE LA PUERTA ...	81
INSTRUCCIONES DE MANTENIMIENTO	84
SI NECESITA ASISTENCIA	84
INSTRUCCIONES DE CONFIGURACIÓN DE CONTROL ELECTRÓNICO	84

TABLE DE MATIÈRES

	Page
SÉCURITÉ DE LA SÈCHEUSE	31
EXIGENCES D'INSTALLATION	34
Outils et pièces	34
Dimensions/dégagements	35
Exigences concernant l'évacuation	36
Exigences d'installation de la sècheuse à gaz	38
Exigences d'installation de la sècheuse électrique	42
INSTALLATION DES PIEDS DE NIVELLEMENT, DE LA GLISSIÈRE À MONNAIE ET DE LA CAISSE À MONNAIE	45
MISE À NIVEAU	46
INSTRUCTIONS D'INSTALLATION – SÈCHEUSE À GAZ	46
Raccordement au gaz	46
RACCORDEMENTS DE LA SÈCHEUSE ÉLECTRIQUE	47
FIN DE L'INSTALLATION	52
INVERSION DU SENS D'OUVERTURE DE LA PORTE DE LA SÈCHEUSE (OPTIONNEL)	53
INSTRUCTIONS D'ENTRETIEN	55
EN CAS DE BESOIN D'ASSISTANCE	55
INSTRUCTIONS DE CONFIGURATION DES COMMANDES ÉLECTRONIQUES	56

DRYER SAFETY

Your safety and the safety of others are very important.

We have provided many important safety messages in this manual and on your appliance. Always read and obey all safety messages.



This is the safety alert symbol.

This symbol alerts you to potential hazards that can kill or hurt you and others.

All safety messages will follow the safety alert symbol and either the word "DANGER" or "WARNING."

These words mean:

⚠ DANGER

You can be killed or seriously injured if you don't immediately follow instructions.

⚠ WARNING

You can be killed or seriously injured if you don't follow instructions.

All safety messages will tell you what the potential hazard is, tell you how to reduce the chance of injury, and tell you what can happen if the instructions are not followed.

- It is recommended that the owner post, in a prominent location, instructions for the customer's use in the event the customer smells gas. This information should be obtained from your gas supplier.
- Post the following warning in a prominent location.

FOR YOUR SAFETY

Do not store or use gasoline or other flammable vapors and liquids in the vicinity of this or any other appliance.

⚠ WARNING:

FIRE OR EXPLOSION HAZARD

Failure to follow safety warnings exactly could result in serious injury, death or property damage.

- Do not store or use gasoline or other flammable vapors and liquids in the vicinity of this or any other appliance.
- **WHAT TO DO IF YOU SMELL GAS:**
 - Do not try to light any appliance.
 - Do not touch any electrical switch; do not use any phone in your building.
 - Clear the room, building, or area of all occupants.
 - Immediately call your gas supplier from a neighbor's phone. Follow the gas supplier's instructions.
 - If you cannot reach your gas supplier, call the fire department.
- Installation and service must be performed by a qualified installer, service agency, or the gas supplier.

WARNING: Gas leaks cannot always be detected by smell.

Gas suppliers recommend that you use a gas detector approved by UL or CSA.

For more information, contact your gas supplier.

If a gas leak is detected, follow the "What to do if you smell gas" instructions.



WARNING - "Risk of Fire"

- Clothes dryer installation must be performed by a qualified installer.
- Install the clothes dryer according to the manufacturer's instructions and local codes.
- Do not install a clothes dryer with flexible plastic venting materials or flexible metal (foil type) duct. If flexible metal duct is installed, it must be of a specific type identified by the appliance manufacturer as suitable for use with clothes dryers. Flexible venting materials are known to collapse, be easily crushed, and trap lint. These conditions will obstruct clothes dryer airflow and increase the risk of fire.
- To reduce the risk of severe injury or death, follow all installation instructions.
- Save these instructions.

In the State of Massachusetts, the following installation instructions apply:

- Installations and repairs must be performed by a qualified or licensed contractor, plumber, or gas fitter qualified or licensed by the State of Massachusetts.
- Acceptable Shut-off Devices: Gas Cocks and Ball Valves installed for use shall be listed.
- A flexible gas connector, when used, must not exceed 4 feet (121.9 cm).

IMPORTANT SAFETY INSTRUCTIONS

WARNING: To reduce the risk of fire, electric shock, or injury to persons when using the dryer, follow basic precautions, including the following:

- Read all instructions before using the dryer.
- Do not place items exposed to cooking oils in your dryer. Items contaminated with cooking oils may contribute to a chemical reaction that could cause a load to catch fire. To reduce the risk of fire due to contaminated loads, the final part of a tumble dryer cycle occurs without heat (cool down period). Avoid stopping a tumble dryer before the end of the drying cycle unless all items are quickly removed and spread out so that the heat is dissipated.
- Do not dry articles that have been previously cleaned in, washed in, soaked in, or spotted with gasoline, drycleaning solvents, or other flammable or explosive substances as they give off vapors that could ignite or explode.
- Risk of Suffocation and Injury from Entrapment: Do not allow children to play on or in the appliance. Close supervision of children is necessary when the appliance is used near children.
- Before the dryer is removed from service or discarded, remove the door to the drying compartment.
- Do not reach into the dryer if the drum is moving.
- Do not install or store the dryer where it will be exposed to the weather.
- Do not tamper with controls.
- Do not use replacement parts that have not been recommended by the manufacturer (e.g. parts made at home using a 3D printer).
- Do not repair or replace any part of the dryer or attempt any servicing unless specially recommended in this Use and Care Guide or in published user-repair instructions that you understand and have the skills to carry out.
- Do not use fabric softeners or products to eliminate static unless recommended by the manufacturer of the fabric softener or product.
- Do not use heat to dry articles containing foam rubber or similarly textured rubber-like materials.
- Clean lint screen before or after each load.
- Keep area around the exhaust opening and adjacent surrounding areas free from the accumulation of lint, dust, and dirt.
- The interior of the dryer and exhaust vent should be cleaned periodically by qualified service personnel.
- See "Electrical Requirements" located in the installation instructions for grounding instructions.
- **WARNING:** Risk of Fire. Do not install a booster fan in the exhaust duct.
NOTE: The booster fan warning does not apply to clothes dryers intended to be installed in a multiple clothes dryer system, with an engineered exhaust duct system that is installed per the clothes dryer manufacturer's guidelines.

SAVE THESE INSTRUCTIONS

IMPORTANT: The gas installation must conform with local codes, or in the absence of local codes, with the National Fuel Gas Code, ANSI Z223.1/NFPA 54, or the Natural Gas and Propane Installation Code, CSA B149.1.

The dryer must be electrically grounded in accordance with local codes, or in the absence of local codes, with the National Electrical Code, ANSI/NFPA 70, or the Canadian Electrical Code, Part 1, CSA C22.1.

DRYER SAFETY

WARNING

Fire Hazard

Failure to follow safety warnings exactly could result in serious injury, death, or property damage.

Do not install a booster fan in the exhaust duct.

Install all clothes dryers in accordance with the installation instructions of the manufacturer of the dryer.

IMPORTANT SAFETY INSTRUCTIONS

When discarding or storing your old clothes dryer, remove the door.

SAVE THESE INSTRUCTIONS

INSTALLATION REQUIREMENTS

Tools and Parts

Tools Needed:



8" or 10" Pipe Wrench



8" or 10"
Adjustable Wrench
that opens to 1"



Flat-Blade Screwdriver



Phillips Screwdriver



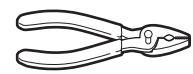
TORX T20^{®†} Security
Screwdriver or Bit



1" Hex-Head
Socket Wrench



1/4" Socket Wrench



Pliers (that open to 1⁹/₁₆"



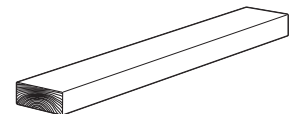
Level



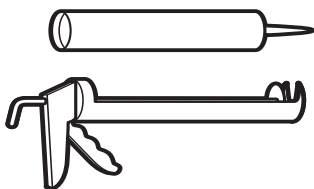
Utility Knife



1/4" Nut Driver



27" Wood Block



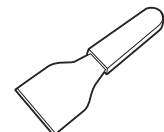
Caulk Gun and Caulk
(for installing new exhaust vent)



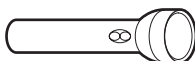
Vent Clamps



Pipe-Joint Compound
suitable for gas type



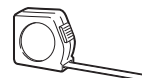
Putty Knife



Flashlight (optional)



1" Open-End Wrenches

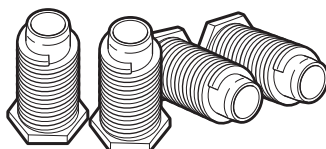


Ruler or Measuring Tape

Parts Supplied:



Foot Boots (4)



Leveling Legs (4)

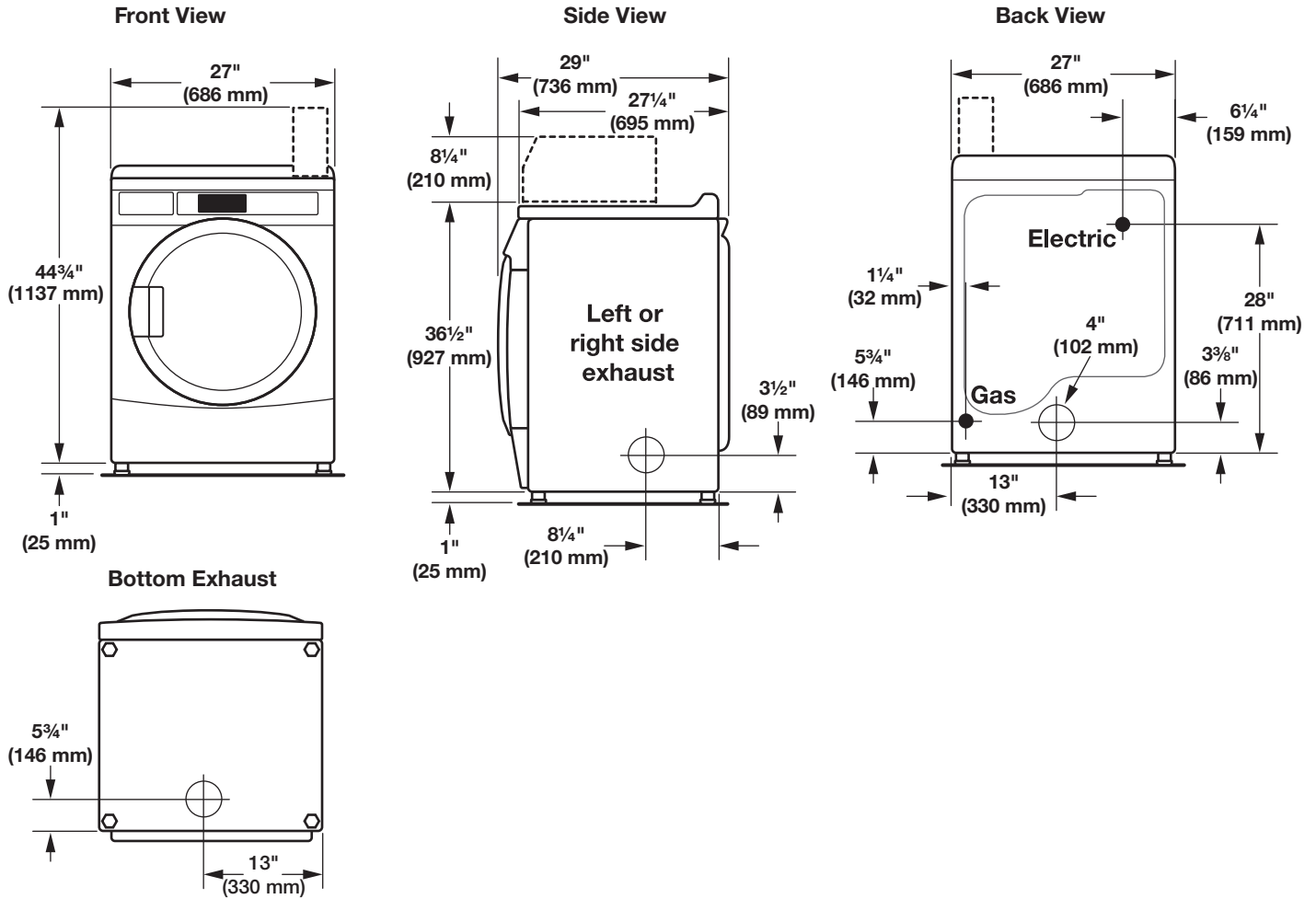
To locate factory specified replacement parts in your area, contact the dealer from whom you purchased your dryer.

[†]TORX T20 are trademarks of Acument Intellectual Properties, LLC.

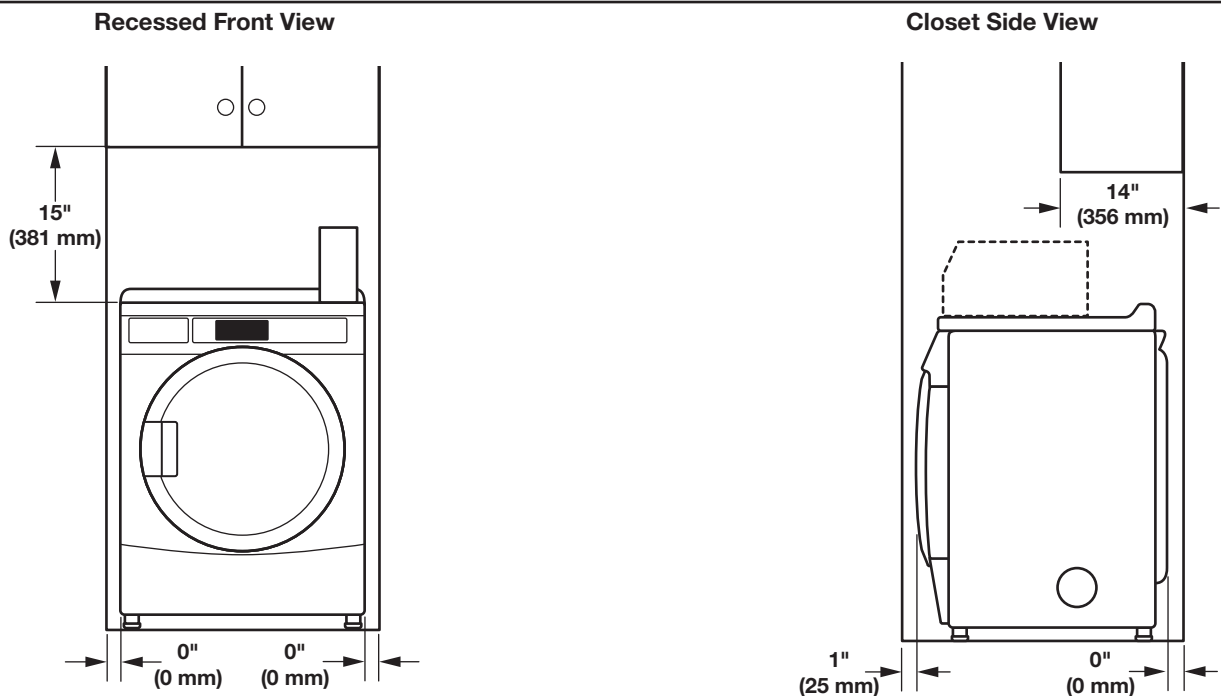
INSTALLATION REQUIREMENTS

Dimensions/Clearances

Dimensions



Clearances



INSTALLATION REQUIREMENTS

Venting Requirements

WARNING



Fire Hazard

- Use a heavy metal vent.**
- Do not use a plastic vent.**
- Do not use a metal foil vent.**
- Failure to follow these instructions can result in death or fire.**

WARNING: To reduce the risk of fire, this dryer MUST BE EXHAUSTED OUTDOORS.

IMPORTANT: Observe all governing codes and ordinances.

- The dryer exhaust must not be connected into any gas vent, chimney, wall, ceiling, attic, crawlspace, or a concealed space of a building. Only rigid or flexible vent shall be used for exhausting.
- Only a 4" (102 mm) heavy, metal exhaust vent and clamps may be used.
- Do not use an exhaust hood with a magnetic latch.
- Use clamps to seal all joints. Do not use screws or other fastening devices that extend into the interior of the duct and catch lint. Do not use duct tape.
- Do not use plastic or metal foil vent.

Rigid metal vent:

- Recommended for best drying performance and to avoid crushing and kinking.

Flexible metal vent (acceptable only if accessible to clean):

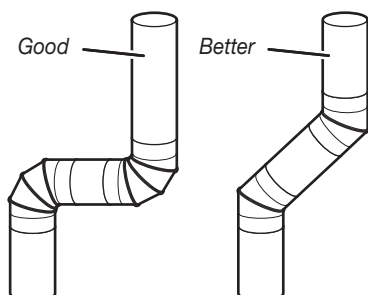
- Must be fully extended and supported in final dryer location.
- Remove excess to avoid sagging and kinking that may result in reduced airflow and poor performance.
- Do not install in enclosed walls, ceilings, or floors.
- The total length should not exceed 7 3/4 ft (2.4 m).

An exhaust hood should cap the vent to prevent rodents and insects from entering the home or business.

Exhaust hood must be at least 12" (305 mm) from the ground or any object that may be in the path of the exhaust (such as flowers, rocks, or bushes).

If using an existing vent system, clean lint from the entire length of the system and make sure exhaust hood is not plugged with lint. Replace any plastic or metal foil vent with rigid metal or flexible metal vent.

Plan installation to use the fewest number of elbows and turns.



Allow as much room as possible when using elbows or making turns. Bend vent gradually to avoid kinking.

Vent outlet is located at the back of the dryer, at bottom center.

The vent can be routed up, down, left, right, behind the dryer, or straight out the back of the dryer. See "Product Dimensions" in the "Location Requirements" section.

Make-up air:

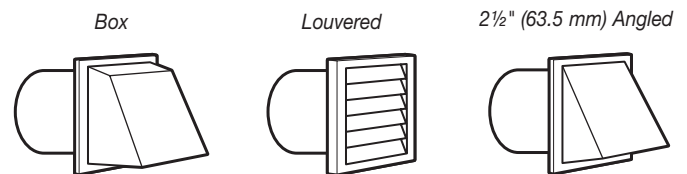
Although each single-load dryer should have an unobstructed outdoor air opening of 24 in² (154 cm²) (based on 1 square inch [6.5 cm²] per 1,000 B.T.U. [252 kcal]), common make-up air openings are also acceptable. Set up common openings so that the make-up air is distributed equally to all of the dryers. Keep in mind that the coverage area must be increased by 33% to account for use of registers or louvers over the openings. Also, make-up air openings should not be installed near the location of exhaust vents exiting the building.

Vent System Length

Maximum length of vent system depends upon the type of vent used, number of elbows, and type of exhaust hood. The maximum length for rigid vent is shown in the chart.

Maximum Vent Length

4" (102 mm) Diameter Exhaust Hoods



Vent System Chart (Rigid Metal Vent)		
No. of 90° Turns	Box and Louvered Hood	Angled Hood
0	64 ft (19.5 m)	58 ft (17.7 m)
1	54 ft (16.5 m)	48 ft (14.6 m)
2	44 ft (13.4 m)	38 ft (11.6 m)
3	35 ft (10.7 m)	29 ft (8.8 m)
4	27 ft (8.2 m)	21 ft (6.4 m)

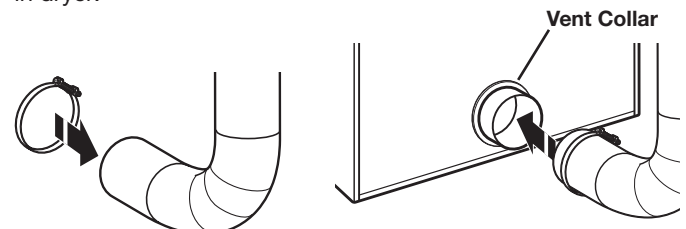
For vent systems not covered by the vent specification chart, see your parts distributor.

Provision must be made for enough air for combustion and ventilation. (Check governing codes and ordinances.) See "Recessed Area and Closet Installation Instructions" in the "Location Requirements" sections.

A 4" (102 mm) outlet hood is preferred. However, a 2 1/2" (64 mm) outlet exhaust hood may be used. A 2 1/2" (64 mm) outlet creates greater back pressure than other hood types. For permanent installation, a stationary vent system is required.

Connect Vent

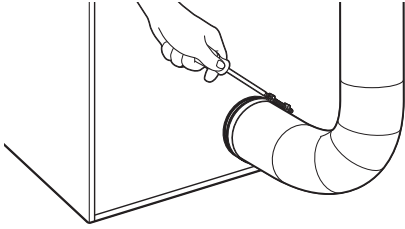
1. If connecting to existing vent, make sure the vent is clean.
2. Using a 4" (102 mm) clamp, connect vent to exhaust outlet in dryer.



NOTE: Do not remove vent collar.

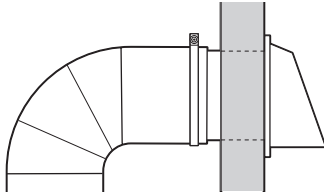
INSTALLATION REQUIREMENTS

3. Tighten hose clamp with Phillips screwdriver.



4. Make sure the vent is secured to exhaust hood with a 4" (102 mm) clamp.

5. Move dryer into final position. Do not crush or kink vent. Make sure dryer is level.



NOTE: Testing for proper ventilation should be done with a Manometer. Minimum: 0.01" (0.2 mm). Maximum: 0.6" (16 mm).

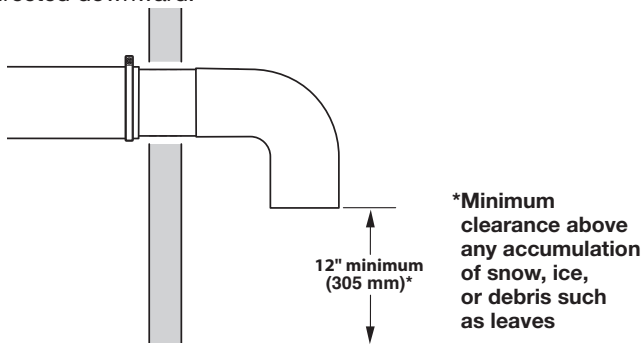
For vent systems not covered by the vent specification chart, see your parts distributor.

If dryer is installed in a confined area, such as a bedroom, bathroom, or closet, provision must be made for enough air for combustion and ventilation. (Check governing codes and ordinances.) See "Recessed Area and Closet Installation Instructions" in the "Location Requirements" section.

A 4" (102 mm) outlet hood is preferred. However, a 2½" (64 mm) outlet exhaust hood may be used. A 2½" (64 mm) outlet creates greater back pressure than other hood types. For permanent installation, a stationary vent system is required.

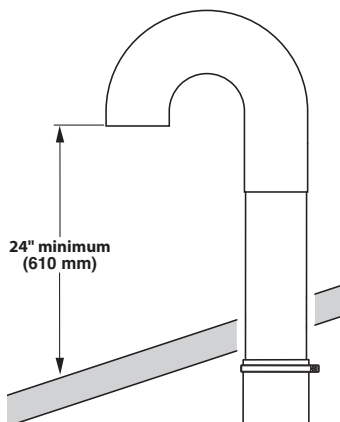
If An Exhaust Hood Cannot Be Used

The outside end of the main vent should have a sweep elbow directed downward.



If the main vent travels vertically through the roof, rather than through the wall, install a 180° sweep elbow on the end of the vent at least 2 ft (610 mm) above the highest part of the building. The opening in the wall or roof shall have a diameter ½" (13 mm) larger than the vent diameter. The vent should be centered in the opening.

Do not install screening or cap over the end of the vent.

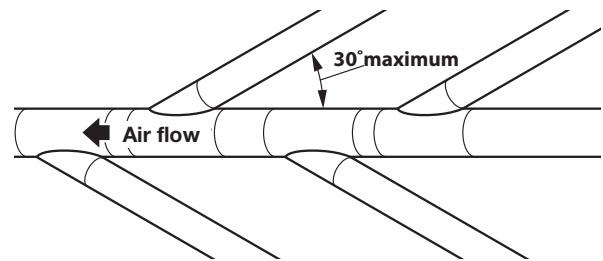


Multiple Dryer Venting

- A main vent can be used for venting a group of dryers. The main vent should be sized to remove 200 CFM of air per dryer. Large-capacity lint screens of proper design may be used in the main vent if checked and cleaned frequently. The room where the dryers are located should have make-up air equal to or greater than the CFM of all the dryers in the room.
- A back-draft damper kit is needed and is available from a commercial laundry distributor; it should be installed in the vent of each dryer to prevent exhausted air from returning into the dryers and to keep the exhaust in balance within the main vent. Unobstructed return air openings are required.

Each vent should enter the main vent at an angle pointing in the direction of the airflow. Vents entering from the opposite side should be staggered to reduce the exhausted air from interfering with the other vents.

The maximum angle of each vent entering the main vent should be no more than 30°.




Keep air openings free of dry cleaning fluid fumes. Fumes create acids which, when drawn through the dryer heating units, can damage dryers and items being dried.

A clean-out cover should be located on the main vent for periodic cleaning of the vent system.

Gas Dryer Installation Requirements

Location Requirements

⚠ WARNING



Explosion Hazard

Keep flammable materials and vapors, such as gasoline, away from dryer.

Do not install in a garage.

Failure to do so can result in death, explosion, or fire.

IMPORTANT: Do not install or store the dryer where it will be exposed to water and/or the weather. Proper installation is your responsibility.

You will need:

- A grounded electrical outlet located within 6 ft (1.8 m) of where the power cord is attached to the back of the dryer. See “Electrical Requirements.”
- A level floor with a maximum slope of 1" (25 mm) under entire dryer. Installing the dryer on soft floor surfaces, such as carpets or surfaces with foam backing, is not recommended.

Gas dryer installation clearances

- The location must be large enough to allow the dryer door to be fully opened.
- Additional spacing should be considered for ease of installation and servicing. The door opens more than 180°.
- Additional clearances might be required for wall, door, and floor moldings.
- Additional spacing of 1" (25 mm) on all sides of the dryer is recommended to reduce noise transfer.

When installing a gas dryer:

IMPORTANT: Observe all governing codes and ordinances.

- Check code requirements: Some codes limit or do not permit installation of clothes dryers in garages, closets, or sleeping quarters. Contact your local building inspector.
- Make sure that lower edges of the cabinet, plus the back and bottom sides of the dryer, are free of obstructions to permit adequate clearance of air openings for combustion air. See “Recessed Area and Closet Installation Instructions” below for minimum spacing requirements.

Recessed Area and Closet Installation Instructions

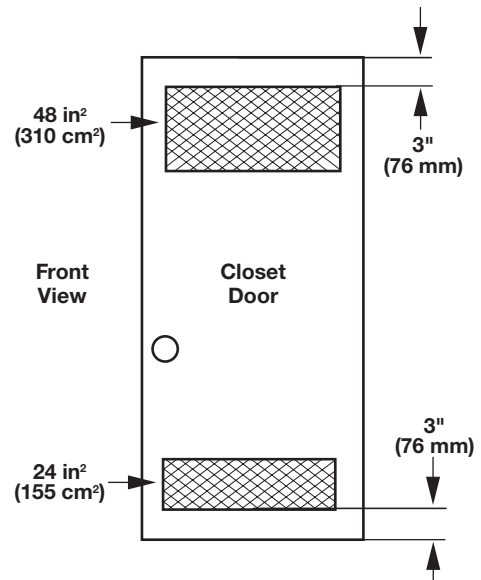
This dryer may be installed in a recessed area or closet. For recessed area and closet installations, minimum clearances can be found on the warning label on the rear of the dryer or in “Dimensions/Clearances.”

The installation spacing is in inches and is the minimum allowable. Additional spacing should be considered for ease of installation, servicing, and compliance with local codes and ordinances.

If closet door is installed, the minimum unobstructed air opening in the top and bottom is required. Louvered doors with equivalent air openings are acceptable.

The dryer must be exhausted outdoors.

No other fuel-burning appliance may be installed in the same closet as the dryer.



INSTALLATION REQUIREMENTS

Electrical Requirements - Gas Dryer

⚠ WARNING



Electrical Shock Hazard

- Plug into a grounded 3 prong outlet.**
- Do not remove ground prong.**
- Do not use an adapter.**
- Do not use an extension cord.**
- Failure to follow these instructions can result in death, fire, or electrical shock.**

IMPORTANT: The dryer must be electrically grounded in accordance with local codes and ordinances or, in the absence of local codes, with the National Electrical Code, ANSI/NFPA 70, latest edition, or Canadian Electrical Code, CSA C22.1. If codes permit and a separate ground wire is used, it is recommended that a qualified electrical installer determine that the ground path is adequate.

A copy of the above code standards can be obtained from:

National Fire Protection Association
One Batterymarch Park, Quincy, MA 02269
CSA International
8501 East Pleasant Valley Road
Cleveland, Ohio 44131-5575

- Do not ground to a gas pipe.
- Do not have a fuse in the neutral or ground circuit.
- A 120 V, 60 Hz AC only, 15 A or 20 A, fused electrical circuit is required. A time-delay fuse or circuit breaker is also recommended. It is recommended that a separate circuit serving only this dryer be provided.
- This dryer is equipped with a power supply cord having a 3 prong grounding plug.
- To minimize the possibility of shock, the cord must be plugged into a mating, 3 prong, grounding-type outlet, grounded in accordance with local codes and ordinances. If a mating outlet is not available, it is the personal responsibility and obligation of the customer to have the properly grounded outlet installed by a qualified electrician.
- If codes permit and a separate ground wire is used, it is recommended that a qualified electrician determine that the ground path is adequate.
- Check with a qualified electrician if you are not sure the dryer is properly grounded.

Gas Dryer Grounding

GROUNDING INSTRUCTIONS

- For a grounded, cord-connected dryer:
This dryer must be grounded. In the event of malfunction or breakdown, grounding will reduce the risk of electric shock by providing a path of least resistance for electric current. This dryer is equipped with a cord having an equipment-grounding conductor and a grounding plug. The plug must be plugged into an appropriate outlet that is properly installed and grounded in accordance with all local codes and ordinances.

WARNING: Improper connection of the equipment-grounding conductor can result in a risk of electric shock. Check with a qualified electrician or service representative or personnel if you are in doubt as to whether the dryer is properly grounded. Do not modify the plug provided with the dryer: if it will not fit the outlet, have a proper outlet installed by a qualified electrician.

SAVE THESE INSTRUCTIONS

Gas Supply

⚠ WARNING



Explosion Hazard

- Use a new CSA International approved gas supply line.**
- Install a shut-off valve.**
- Securely tighten all gas connections.**
- If connected to propane, have a qualified person make sure gas pressure does not exceed 13" (33 cm) water column.**
- Examples of a qualified person include:**
licensed heating personnel,
authorized gas company personnel, and
authorized service personnel.
- Failure to do so can result in death, explosion, or fire.**

INSTALLATION REQUIREMENTS

IMPORTANT: Observe all governing codes and ordinances.

This installation must conform with all local codes and ordinances. In the absence of local codes, installation must conform with American National Standard, National Fuel Gas Code ANSI Z223.1/NFPA 54 or CAN/CSA B149.

A copy of the above code standards can be obtained from:

National Fire Protection Association
One Batterymarch Park, Quincy, MA 02269

CSA International
8501 East Pleasant Valley Road
Cleveland, Ohio 44131-5575

The design of this dryer has been certified by CSA International for use at altitudes up to 10,000 ft (3,048 m) above sea level at the B.T.U. rating indicated on the model/serial plate. Burner input adjustments are not required when the dryer is operated up to this elevation.

When installed above 10,000 ft (3,048 m), a four percent (4%) reduction of the burner B.T.U. rating shown on the model/serial plate is required for each 1,000 ft (305 m) increase in elevation. For assistance when converting to other gas types and/or installing above 10,000 ft (3,048 m) elevation, contact your local service company.

Gas supply pressure required to operate this dryer is a minimum of 5.2" wc (1.30 kPa) and a maximum of 10.5" wc (2.62 kPa).

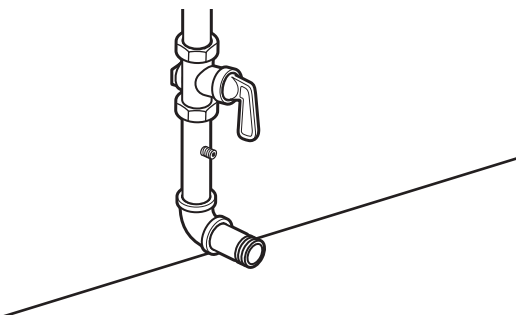
Type of Gas

This dryer is equipped for use with natural gas. It is design-certified by CSA International for propane and butane gases with appropriate conversion. No attempt shall be made to convert dryer from gas specified on serial/rating plate for use with a different gas without consulting the serving gas supplier. Conversion must be done by a qualified service technician. Gas conversion kit part number is W10402145. This number can also be found on a label on the gas valve burner base.

Gas Supply Line

Recommended Method

Provide a gas supply line of 1/2" (13 mm) rigid (IPS) pipe to dryer location. Pipe joint compounds that resist action of propane gas must be used. Do not use TEFLON[†] tape. With propane gas, piping or tubing size can be 1/2" (13 mm) minimum. Usually, propane gas suppliers determine size and materials used in the system.



Gas Supply Pressure Testing

A 1/8" NPT minimum plugged tapping, accessible for gauge testing, must be installed immediately downstream of the installed shut-off valve to the dryer (as shown above). The dryer must be disconnected from the gas supply piping system during any pressure testing of the system at test pressures in excess of 1/2" psig (352 kg/m²). The dryer must be isolated from the gas supply piping system by closing the equipment

[†]TEFLON is a registered trademark of Chemours.

shut-off valve during any pressure testing of the gas supply piping system at test pressures equal to or less than 1/2" psig (352 kg/m²).

Expected Pressures For Gas Supply

	Minimum Inches of Water	Maximum Inches of Water
Natural Gas	5.2	10.5
Propane Gas	8.0	13.0

Alternate Method

The gas supply may also be connected using 3/8" (10 mm) approved copper or aluminum tubing. If the total length of the supply line is more than 20 ft (6.1 m), larger tubing will be required.

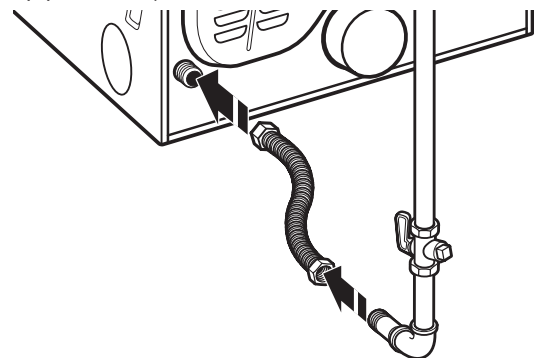
If using natural gas, do not use copper tubing. Pipe joint compounds that resist action of type of gas supplied must be used.

Shut-off valve required

The supply line must be equipped with a manual shut-off valve installed within 6 ft (1.8 m) of dryer in accordance with National Fuel Gas Code, ANSI Z223.1. This valve should be located in same room as dryer. It should be in a location that allows ease of opening and closing. Do not block access to shut-off valve. In Canada, an individual manual shut-off valve must be installed in accordance with the B149 installation codes CAN/CGA B149.1 and CAN/CGA B149.2.

Flexible Metal Appliance Connector

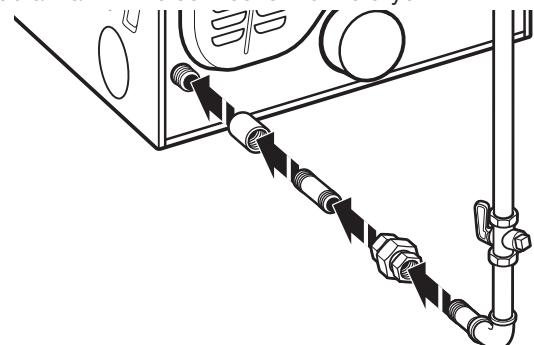
It is recommended that a new flexible stainless steel gas line, design-certified by CSA International, be used for connecting the dryer to the gas supply line. (The gas pipe which extends through the lower rear of the dryer is provided with 3/8" male pipe thread.)



NOTE: Do not kink or damage the flexible stainless steel gas line when moving the dryer.

Rigid Pipe Connection

The rigid pipe connection requires a combination of pipe fittings to obtain an in-line connection to the dryer.




INSTALLATION REQUIREMENTS

Electric Dryer Installation Requirements

Location Requirements

⚠ WARNING



Explosion Hazard

Keep flammable materials and vapors, such as gasoline, away from dryer.

Do not install in a garage.

Failure to do so can result in death, explosion, or fire.

IMPORTANT: Do not install or store the dryer where it will be exposed to water and/or the weather. Proper installation is your responsibility.

You will need:

- A grounded electrical outlet located within 6 ft (1.8 m) of where the power cord is attached to the back of the dryer. See “Electrical Requirements.”
- A level floor with a maximum slope of 1" (25 mm) under entire dryer. Installing the dryer on soft floor surfaces, such as carpets or surfaces with foam backing, is not recommended.

Electric dryer installation clearances

- The location must be large enough to allow the dryer door to be fully opened.
- Additional spacing should be considered for ease of installation and servicing. The door opens more than 180°.
- Additional clearances might be required for wall, door, and floor moldings.
- Additional spacing of 1" (25 mm) on all sides of the dryer is recommended to reduce noise transfer.

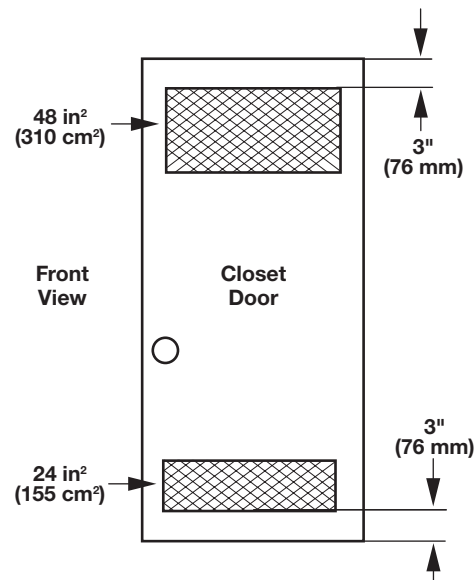
Recessed Area and Closet Installation Instructions

This dryer may be installed in a recessed area or closet. For recessed area and closet installations, minimum clearances can be found on the warning label on the rear of the dryer or in “Dimensions/Clearances.”

The installation spacing is in inches and is the minimum allowable. Additional spacing should be considered for ease of installation, servicing, and compliance with local codes and ordinances.

If closet door is installed, the minimum unobstructed air opening in the top and bottom is required. Louvered doors with equivalent air openings are acceptable.

The dryer must be exhausted outdoors.



Electrical Requirements – U.S.A. only

It is your responsibility:

- To contact a qualified electrical installer.
- To be sure that the electrical connection is adequate and in conformance with the National Electrical Code, ANSI/NFPA 70-latest edition and all local codes and ordinances.
- The National Electrical Code requires a 4-wire power supply connection for homes built after 1996, dryer circuits involved in remodeling after 1996, and all mobile home installations.
- A copy of the above code standards can be obtained from: National Fire Protection Association, One Batterymarch Park, Quincy, MA 02269.
- To supply the required 3 or 4-wire, single-phase, 120 V/240 V, 60 Hz AC only electrical supply (or 3 or 4-wire, 120 V/208 V electrical supply, if specified on the serial/rating plate) on a separate 30 A circuit, fused on both sides of the line. A time delay fuse or circuit breaker is recommended. Connect to an individual branch circuit. Do not have a fuse in the neutral or grounding circuit.
- Do not use an extension cord.
- If codes permit and a separate ground wire is used, it is recommended that a qualified electrician determine that the ground path is adequate.

INSTALLATION REQUIREMENTS

Electrical Requirements – U.S.A. only (cont.)

Electrical Connection

To properly install your dryer, you must determine the type of electrical connection you will be using and follow the instructions provided for it here.

- This dryer is manufactured ready to install with a 3-wire electrical supply connection. The neutral ground conductor is permanently connected to the neutral conductor (white wire) within the dryer. If the dryer is installed with a 4-wire electrical supply connection, the neutral ground conductor must be removed from the external ground connector (green screw), and secured under the neutral terminal (center or white wire) of the terminal block. When the neutral ground conductor is secured under the neutral terminal (center or white wire) of the terminal block, the dryer cabinet is isolated from the neutral conductor.
- If local codes do not permit the connection of a neutral ground wire to the neutral wire, see “Optional 3-wire connection” section.
- A 4-wire power supply connection must be used when the appliance is installed in a location where grounding through the neutral conductor is prohibited. Grounding through the neutral is prohibited for (1) new branch-circuit installations and (2) areas where local codes prohibit grounding through the neutral conductor.

Electric Dryer Grounding

GROUNDING INSTRUCTIONS

- For a grounded, cord-connected dryer:
This dryer must be grounded. In the event of malfunction or breakdown, grounding will reduce the risk of electric shock by providing a path of least resistance for electric current. This dryer is equipped with a cord having an equipment-grounding conductor and a grounding plug. The plug must be plugged into an appropriate outlet that is properly installed and grounded in accordance with all local codes and ordinances.

WARNING: Improper connection of the equipment-grounding conductor can result in a risk of electric shock. Check with a qualified electrician or service representative or personnel if you are in doubt as to whether the dryer is properly grounded. Do not modify the plug provided with the dryer: if it will not fit the outlet, have a proper outlet installed by a qualified electrician.

SAVE THESE INSTRUCTIONS

Electric Dryer Power Supply Cord

WARNING



Fire Hazard

Use a new UL listed 30 amp power supply cord.

Use a UL listed strain relief.

Disconnect power before making electrical connections.

Connect neutral wire (white or center wire) to center terminal.

Ground wire (green or bare wire) must be connected to green ground connector.

Connect remaining 2 supply wires to remaining 2 terminals (gold).

Securely tighten all electrical connections.

Failure to do so can result in death, fire, or electrical shock.

If using a power supply cord:

Use a UL-listed power supply cord kit marked for use with clothes dryers. The kit should contain:

- A UL-listed 30 A power supply cord, rated 120 V/240 V minimum. The cord should be type SRD or SRDT and be at least 4 ft (1.22 m) long. The wires that connect to the dryer must end in ring terminals or “U”-shaped spade terminals with upturned ends.
- A UL-listed strain relief.

If your outlet looks like this:



**4-wire
receptacle
(14R-30R)**

Then choose a 4-wire power supply cord with ring or spade terminals and UL-listed strain relief. The 4-wire power supply cord, at least 4 ft (1.22 m) long, must have four 10-gauge copper wires and match a 4-wire receptacle of NEMA Type 14R-30R. The ground wire (ground conductor) may be either green or bare. The neutral conductor must be identified by a white cover.

If your outlet looks like this:




**3-wire
receptacle
(10R-30R)**

Then choose a 3-wire power supply cord with ring or spade terminals and UL-listed strain relief. The 3-wire power supply cord, at least 4 ft (1.22 m) long, must have three 10-gauge copper wires and match a 3-wire receptacle of NEMA Type 10R-30R.

INSTALLATION REQUIREMENTS

Direct Wire

⚠ WARNING



Fire Hazard

Use 10 gauge copper wire.

Use a UL listed strain relief.

Disconnect power before making electrical connections.

Connect neutral wire (white or center wire) to center terminal.

Ground wire (green or bare wire) must be connected to green ground connector.

Connect remaining 2 supply wires to remaining 2 terminals (gold).

Securely tighten all electrical connections.

Failure to do so can result in death, fire, or electrical shock.


If connecting by direct wire:

Power supply cable must match power supply (4-wire or 3-wire) and be:

- Flexible armored cable or nonmetallic sheathed copper cable (with ground wire), covered with flexible metallic conduit. All current-carrying wires must be insulated.
- 10-gauge solid copper wire (do not use aluminum).
- At least 5 ft (1.52 m) long.

Electrical Requirements – Canada only

⚠ WARNING



Electrical Shock Hazard

Plug into a grounded 4 prong outlet.

Failure to do so can result in death or electrical shock.

- Do not use an extension cord.

If you are using a replacement power supply cord, it is recommended that you use Power Supply Cord Replacement Part Number 8579325. For further information, please reference the service numbers located in the “Assistance or Service” section.

It is your responsibility:

- To contact a qualified electrical installer.
- To be sure that the electrical connection is adequate and in conformance with the Canadian Electrical Code, C22.1 – latest edition and all local codes. A copy of the above codes standard may be obtained from: Canadian Standards Association, 178 Rexdale Blvd., Toronto, ON M9W 1R3 CANADA.
- To supply the required 4 wire, single phase, 120 V/240 V, 60 Hz AC only electrical supply on a separate 30 A circuit, fused on both sides of the line. A time-delay fuse or circuit breaker is recommended. Connect to an individual branch circuit.
- This dryer is equipped with a CSA International Certified Power Cord intended to be plugged into a standard 14-30R wall receptacle. The cord is 5 ft (1.52 m) in length. Be sure wall receptacle is within reach of dryer's final location.



4-wire
receptacle
(14-30R)

GROUNDING INSTRUCTIONS

- For a grounded, cord-connected dryer:
This dryer must be grounded. In the event of malfunction or breakdown, grounding will reduce the risk of electric shock by providing a path of least resistance for electric current. This dryer is equipped with a cord having an equipment-grounding conductor and a grounding plug. The plug must be plugged into an appropriate outlet that is properly installed and grounded in accordance with all local codes and ordinances.

WARNING: Improper connection of the equipment-grounding conductor can result in a risk of electric shock. Check with a qualified electrician or service representative or personnel if you are in doubt as to whether the dryer is properly grounded. Do not modify the plug provided with the dryer: if it will not fit the outlet, have a proper outlet installed by a qualified electrician.

SAVE THESE INSTRUCTIONS

INSTALLING LEVELING LEGS, COIN SLIDE, AND COIN BOX

The coin slide mechanism, control panel lock and key, and coin box lock and key are not included and are available from usual industry sources. A special coin slide extension must be used on this model and can be purchased from the coin slide distributor.

⚠ WARNING

Excessive Weight Hazard

Use two or more people to move and install dryer.
Failure to do so can result in back or other injury.

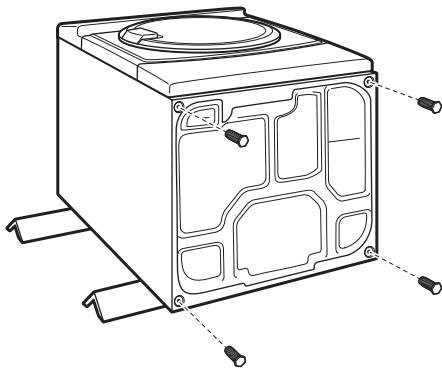
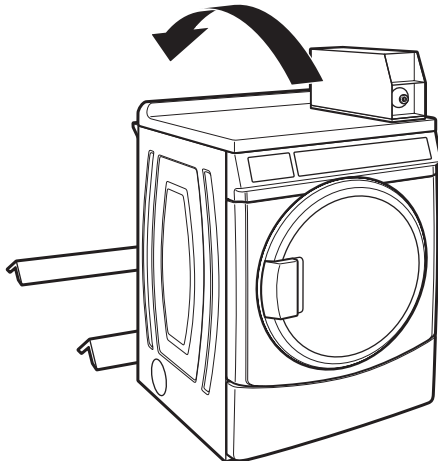
1. Prepare dryer for leveling legs

NOTE: Slide dryer onto cardboard or hardboard before moving to avoid damaging floor covering.

Using two or more people, move dryer to desired installation location.

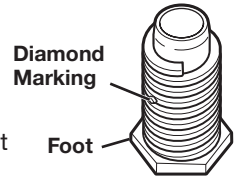
Take tape off front corners of dryer. Open dryer and remove the literature and parts packages. Wipe drum interior with damp cloth to remove any dust.

Take two cardboard corners from the dryer carton and place them on the floor in back of the dryer. Firmly grasp body of the dryer and gently lay it on its back on the cardboard corners.



2. Screw in leveling legs

Examine leveling legs and find diamond marking. Screw legs into leg holes by hand. Use an adjustable wrench or 1" (25 mm) hex-head socket wrench to finish turning legs until diamond marking is no longer visible. Then fit a covered foot boot over each leg foot. For floors with greater slopes, a longer leveling foot (part no. 279810) is available.

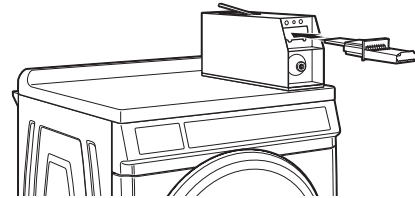


To protect the floor, use a large piece of cardboard from the dryer carton. Stand dryer up on the cardboard. Slide the dryer until it is close to its final location. Leave enough room for electrical connection and to connect the exhaust vent.

On some models: The meter case houses the factory-installed coin slide mechanism, service lock and key, and coin box lock and key.

3. Install coin slide and coin box

Remove the service door of the meter case by lifting it up at the back. Install the money-accepting device. (Refer to manufacturer's instructions for proper installation.)



Replace the meter case service door. Put the coin vault with lock and key in the meter case opening.

Remove cardboard or hardboard from under dryer. Adjust the legs of the dryer up or down until the dryer is level.

LEVELING

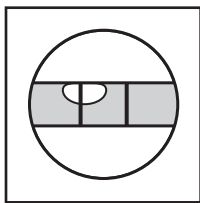
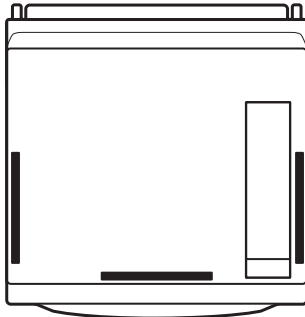
Leveling your dryer properly reduces excess noise and vibration.

⚠ WARNING

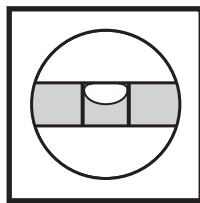
Excessive Weight Hazard

**Use two or more people to move and install dryer.
Failure to do so can result in back or other injury.**

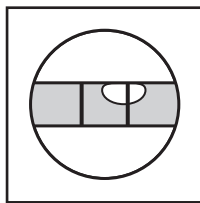
1. Remove cardboard from beneath dryer. Place a level on top edges of dryer, checking each side and front. If not level, tip dryer and adjust ft up or down, repeating as necessary.



Not Level

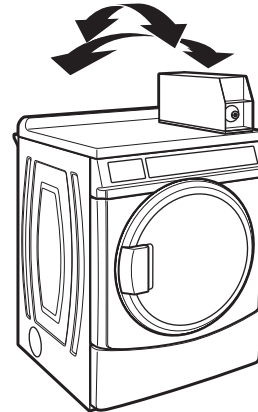


LEVEL



Not Level

2. Grip dryer from top and rock back and forth, making sure all four ft are firmly on floor. Repeat, rocking dryer from side to side. If dryer rocks, adjust leveling ft.



3. If dryer is not level, turn the leveling ft counterclockwise to lower the dryer or clockwise to raise the dryer. Recheck levelness of dryer and that all four ft are firmly in contact with the floor. Repeat as needed.

HELPFUL TIP: You may want to prop up front of dryer about 4" (102 mm) with a wood block or similar object that will support weight of dryer.

INSTALLATION INSTRUCTIONS – GAS DRYER

Make Gas Connection

⚠ WARNING



Explosion Hazard

Use a new CSA International approved gas supply line.

Install a shut-off valve.

Securely tighten all gas connections.

If connected to propane, have a qualified person make sure gas pressure does not exceed 13" (33 cm) water column.

Examples of a qualified person include:

**licensed heating personnel,
authorized gas company personnel, and
authorized service personnel.**

Failure to do so can result in death, explosion, or fire.

1. Remove red cap from gas pipe on back of dryer.
2. Connect gas supply to dryer. Use a pipe thread compound approved for the type of gas supplied. If flexible metal tubing is used, be certain there are no kinks.

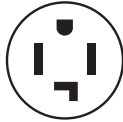
If necessary for service, open the front lower service panel by using a 1/4" nutdriver to remove the 2 hex-head screws from the bottom of the panel. Then lift up on the panel while pulling the bottom of the panel away from the dryer.
3. Open the shut-off valve in the gas supply line and make sure the dryer has its own gas supply opened.
4. Test all connections by brushing on an approved noncorrosive leak-detection solution. Bubbles will show a leak. Correct any leaks found.

ELECTRIC DRYER ELECTRICAL CONNECTIONS

Connection Options

Power Cord

4-wire receptacle (NEMA Type 14R-30R)
Go to "Power Supply Cord Connection" section.

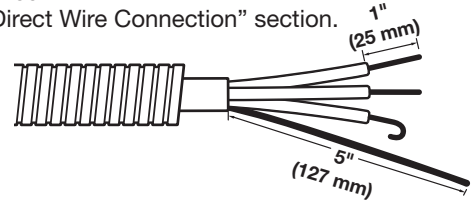


3-wire receptacle (NEMA Type 10R-30R)
Go to "Power Supply Cord Connection" section.

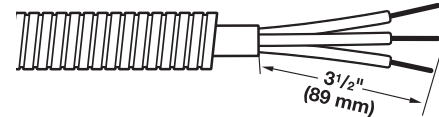


Direct Wire

4-wire direct
Go to "Direct Wire Connection" section.



3-wire direct
Go to "Direct Wire Connection" section.



NOTE: If local codes do not permit connection of a cabinet-ground conductor to neutral wire, go to "Connecting 3-Wire Connection: Optional" section. This connection may be used with either a power supply cord or a direct wire connection.

Power Supply Cord Connection

WARNING

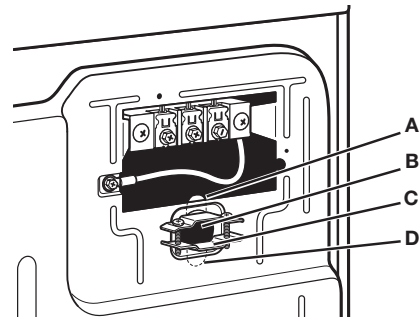


Fire Hazard

- Use a new UL listed 30 amp power supply cord.
- Use a UL listed strain relief.
- Disconnect power before making electrical connections.
- Connect neutral wire (white or center wire) to center terminal (silver).
- Ground wire (green or bare wire) must be connected to green ground connector.
- Connect remaining 2 supply wires to remaining 2 terminals (gold).
- Securely tighten all electrical connections.
- Failure to do so can result in death, fire, or electrical shock.

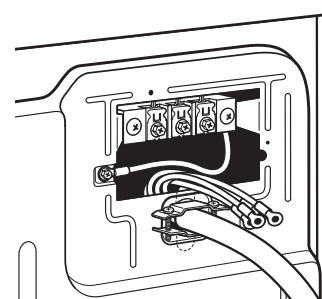
Power Supply Cord Strain Relief

1. Insert strain relief.

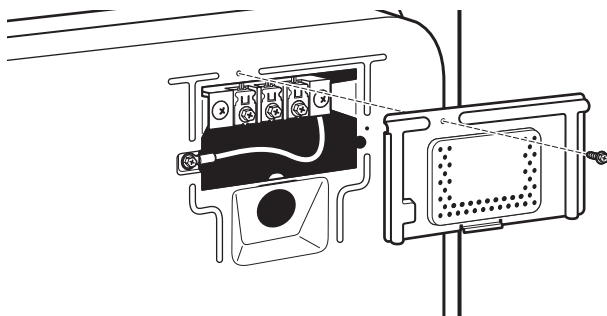


Remove the screws from a 3/4" (19 mm) UL listed strain relief. Put the tabs of the two clamp sections (C) into the hole below the terminal block opening (B) so that one tab is pointing up (A) and the other is pointing down (D), and hold in place. Tighten strain relief screws just enough to hold the two clamp sections (C) together.

2. Insert power cord into strain relief.



Remove Terminal Block Cover



Remove hold-down screw and terminal block cover.

Put power supply cord through the strain relief. Be sure that the wire insulation on the power supply cord is inside the strain relief. The strain relief should have a tight fit with the dryer cabinet and be in a horizontal position. Do not further tighten strain relief screws at this point.

ELECTRIC DRYER ELECTRICAL CONNECTIONS

Connecting 4-Wire Connection: Power Supply Cord

IMPORTANT: A 4-wire connection is required for mobile homes and where local codes do not permit the use of 3-wire connections.

Standard Power Supply Cord Connectors



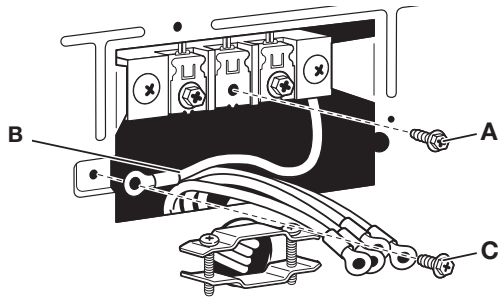
Flanged Spade Connector



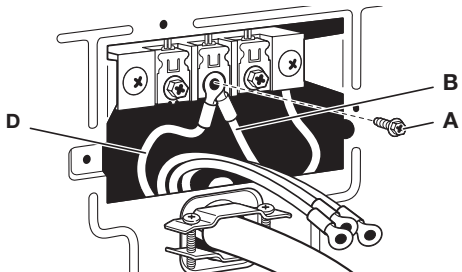
Ring Connector

Connecting Ground and Neutral Wires

1. Remove center terminal block screw (A) and neutral ground wire (B) by removing the external ground conductor screw (C).

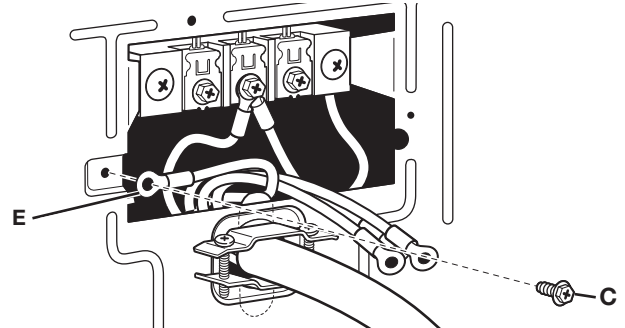


2. Connect neutral ground wire (B) and neutral wire (white or center wire) (D) of power supply cord under center terminal block screw (A). Tighten screw.



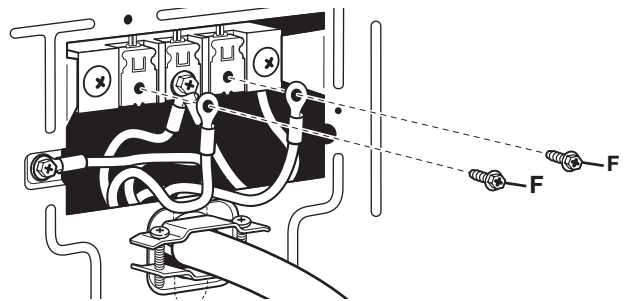
Connecting Power Cord Ground Wire

3. Connect ground wire (green or bare) (E) of power supply cord under green external ground conductor screw (C). Tighten screw.



Connecting Remaining Wires

4. Connect remaining wires with outer terminal block screws (F). Tighten screws. Finally, reinstall terminal block cover to dryer rear panel. Secure cover with hold-down screw. Now go to "Venting Requirements."



Connecting 3-Wire Connection: Power Supply Cord

Standard Power Cord Connectors



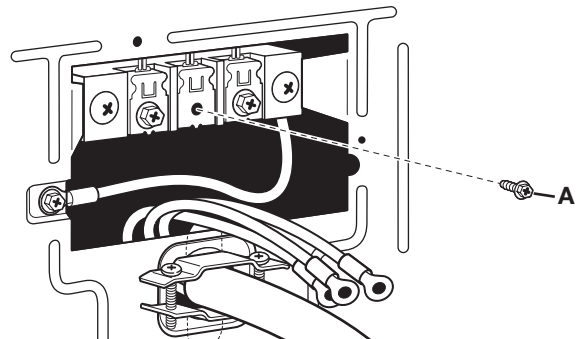
Flanged Spade Connector



Ring Connector

Connecting Neutral Wire

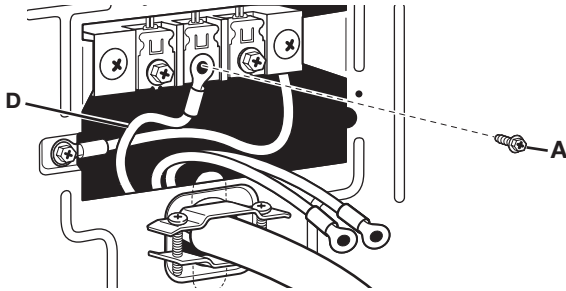
1. Loosen or remove center terminal block screw (A).



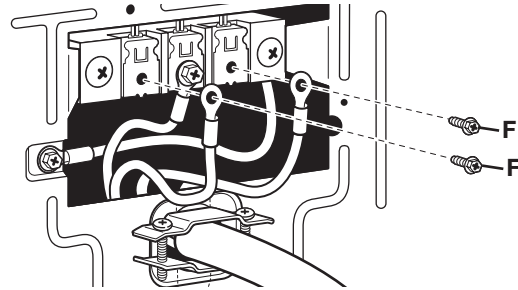
ELECTRIC DRYER ELECTRICAL CONNECTIONS

Connecting 3-Wire Connection: Power Supply Cord (cont.)

2. Connect neutral wire (white or center wire) (D) of power supply cord under center terminal block screw (A). Tighten screw.



3. Connect remaining wires under outer terminal block screws (F). Tighten screws. Finally, reinstall terminal block cover to dryer rear panel. Secure cover with hold-down screw. Now go to "Venting Requirements."



Direct Wire Connection

⚠ WARNING



Fire Hazard

Use 10 gauge copper wire.

Use a UL listed strain relief.

Disconnect power before making electrical connections.

Connect neutral wire (white or center wire) to center terminal (silver).

Ground wire (green or bare wire) must be connected to green ground connector.

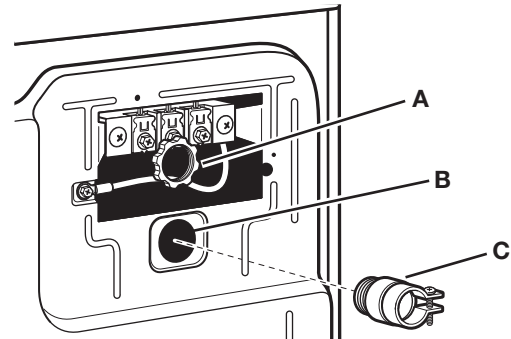
Connect remaining 2 supply wires to remaining 2 terminals (gold).

Securely tighten all electrical connections.

Failure to do so can result in death, fire, or electrical shock.

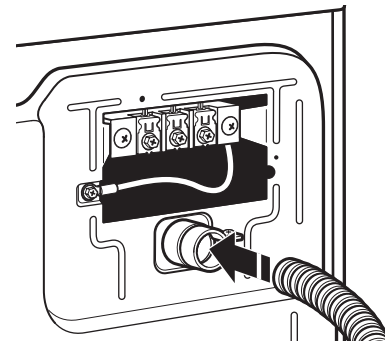
Direct Wire Strain Relief

1. Insert strain relief.



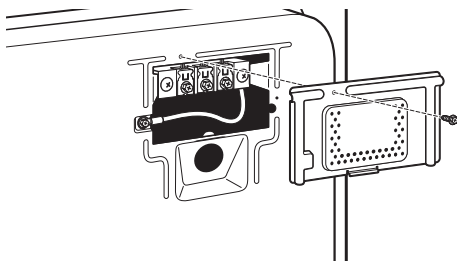
Unscrew the removable conduit connector (A) and any screws from a 3/4" (19 mm) UL listed strain relief. Put the threaded section of the strain relief (C) through the hole below the terminal block opening (B). Reaching inside the terminal block opening, screw the removable conduit connector (A) onto the strain relief threads.

2. Insert conduit into strain relief and tighten clamp.



Put direct wire cable through the strain relief. The strain relief should have a tight fit with the dryer cabinet and be in a horizontal position. Tighten strain relief screw against the direct wire cable.

Remove Terminal Block Cover



Remove hold-down screw and terminal block cover.

ELECTRIC DRYER ELECTRICAL CONNECTIONS

Connecting 4-Wire Connection: Direct Wire

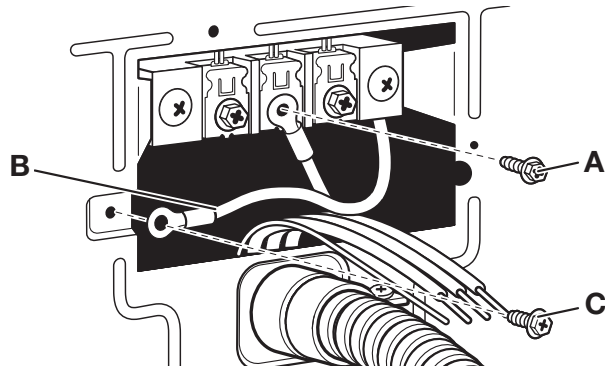
IMPORTANT: A 4-wire connection is required for mobile homes and where local codes do not permit the use of 3-wire connections.

Direct wire cable must have 5 ft (1.52 m) of extra length so dryer can be moved if needed.

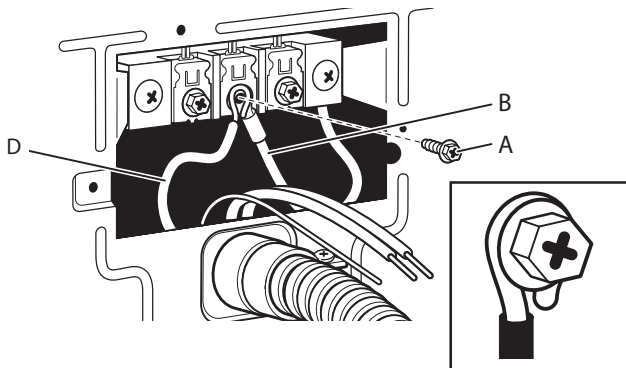
Strip 5" (127 mm) of outer covering from end of cable, leaving bare ground wire at 5" (127 mm). Cut 1½" (38 mm) from three remaining wires. Strip insulation back 1" (25 mm). Shape ends of wires into a hook shape.

Connecting Neutral Ground and Neutral Wires

1. Remove center terminal block screw (A) and neutral ground wire (B) by removing the external ground connector screw (C).

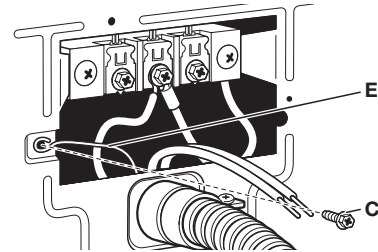


2. Connect neutral ground wire (B) and place hooked end (hook facing right) of neutral wire (white or center wire) cable (D) of direct wire cable under center terminal block screw (A). Squeeze hooked ends together and tighten screw.



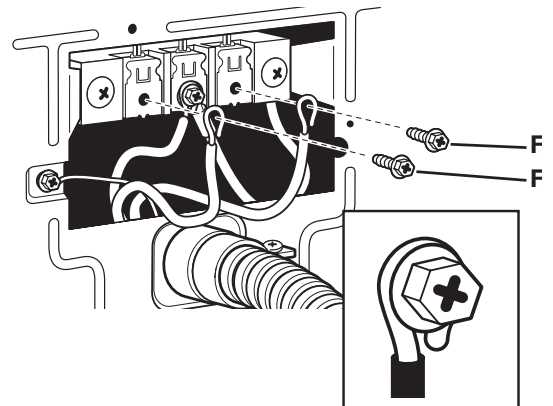
Connecting Direct Wire Ground

3. Connect ground wire (green or bare wire) (E) of direct wire cable under green external ground conductor screw (C). Tighten screw.



Connecting Remaining Wires

4. Connect remaining wires under outer terminal block screws (F). Squeeze hooked ends together and tighten screws. Finally, reinstall terminal block cover to dryer rear panel. Secure cover with hold-down screw. Now go to "Venting Requirements."



ELECTRIC DRYER ELECTRICAL CONNECTIONS

Connecting 3-Wire Connection: Direct Wire

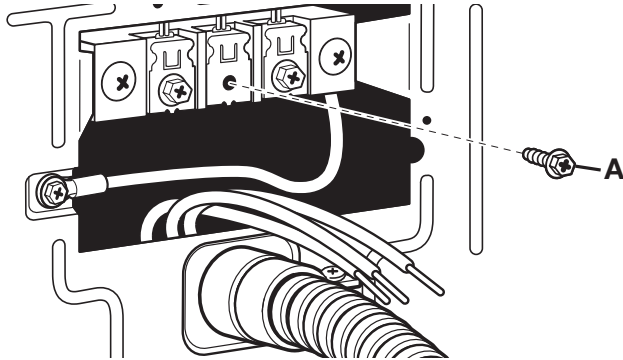
Use where local codes permit connecting cabinet-ground conductor to neutral wire.

Direct wire cable must have 5 ft (1.52 m) of extra length so dryer can be moved if needed.

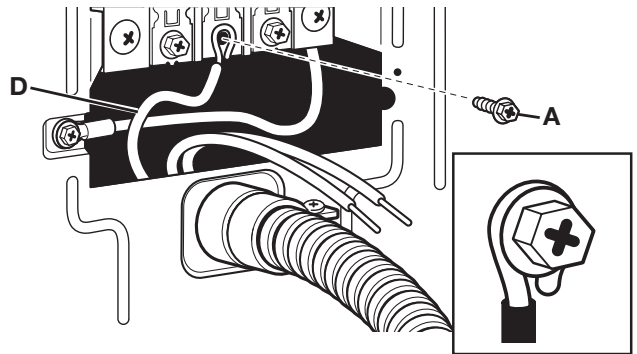
Strip 3½" (89 mm) of outer covering from end of cable. Strip insulation back 1" (25 mm). If using 3-wire cable with ground wire, cut bare wire even with outer covering. Shape ends of wires into a hook shape.

Connecting Neutral Wire

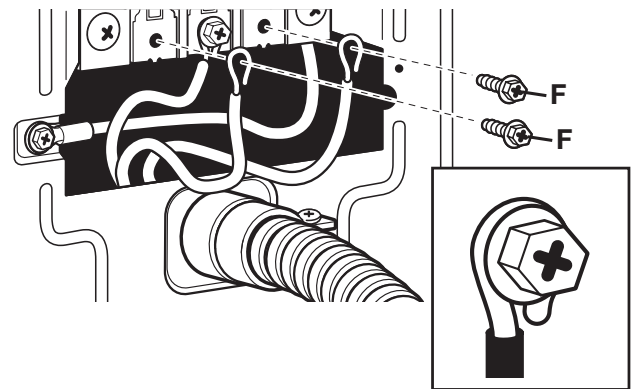
1. Loosen or remove center terminal block screw (A).



2. Place hooked end of neutral wire (white or center wire) (D) of direct wire cable under center terminal block screw (A), hook facing right. Squeeze hooked end together and tighten screw.



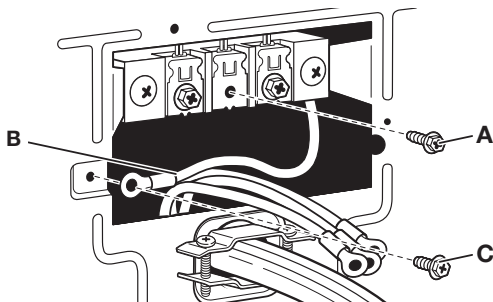
3. Place hooked end of neutral wire (white or center wire) (D) of direct wire cable under center terminal block screw (A), hook facing right. Squeeze hooked end together and tighten screw.



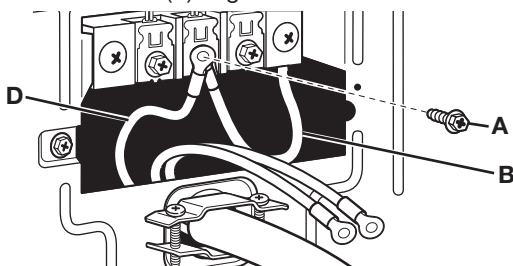
Connecting 3-Wire Connection: Optional

Use for direct wire or power supply cord where local codes do not permit connecting cabinet-ground conductor to neutral wire.

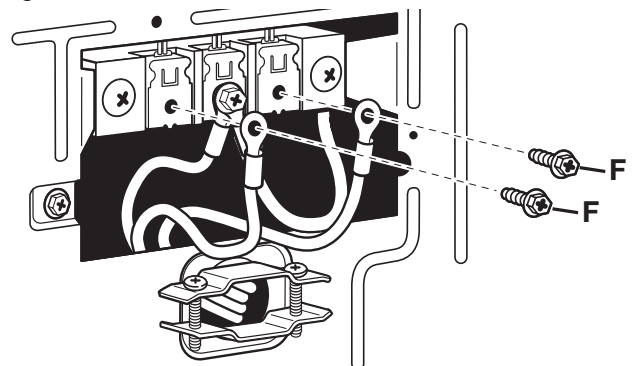
1. Remove center terminal block screw (A). Also, remove neutral ground wire (B) by removing external ground conductor screw (C).



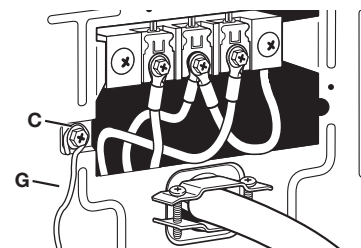
2. Connect neutral ground wire (B) and neutral wire (white or center wire) (D) of power supply cord/cable under center terminal block screw (A). Tighten screw.



3. Connect remaining wires under outer terminal block screws (F). Tighten screws.



4. Connect a separate copper ground wire (G) under the green external ground conductor screw (C) to an adequate ground. Finally, reinstall terminal block to dryer rear panel. Secure cover with hold-down screw. Now go to "Venting Requirements."



COMPLETE INSTALLATION

1. Check the electrical requirements. Be sure that you have the correct electrical supply and the recommended grounding method. See "Electrical Requirements."
2. Check that all parts are now installed. If there is an extra part, go back through the steps.
3. Check that you have all of your tools.
4. Dispose of/recycle all packaging materials.

⚠ WARNING



Electrical Shock Hazard

Plug into a grounded 3 or 4 prong outlet.

Do not remove ground prong.

Do not use an adapter.

Do not use an extension cord.

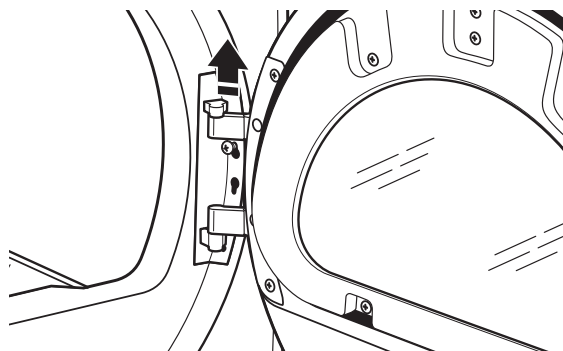
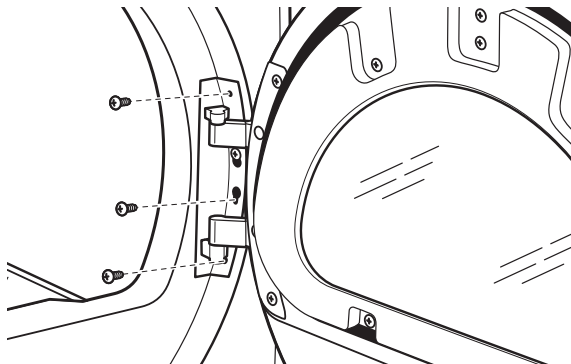
Failure to follow these instructions can result in death, fire, or electrical shock.

5. Plug into a grounded outlet, or connect power.
6. Check dryer operation. Close dryer door. Insert coins in slide and press slide in slowly. Select the Whites and Colors cycle and let the dryer run for at least 5 minutes.
NOTE: Dryer door must be closed for dryer to operate.
7. Open the dryer door. Check that the inside of the dryer is warm. If the burner does not ignite and you can feel no heat inside the dryer, shut off dryer for 5 minutes. Check that all supply valve controls are in "ON" position and that the electrical cord is plugged in Repeat 5 minute test.
8. If drying time is too long, make sure that the lint screen is clean and that there are no obstructions to airflow in the dryer vent system.
9. Restart the dryer and allow it to complete a full cycle to make sure it is working properly.

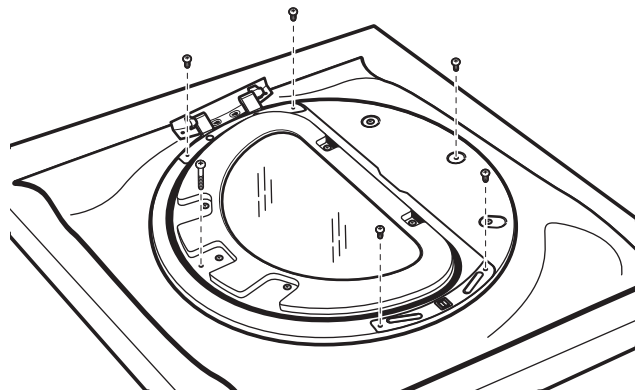
REVERSING DRYER DOOR SWING (OPTIONAL)

Remove the Door Assembly

1. Place a towel or soft cloth on top of dryer or work space to avoid scratching of the surface.
2. Remove 3 of the 4 screws that hold the door hinge on the front panel of the dryer. Partially loosen the remaining screw with keyhole opening and lift the door off the screw.



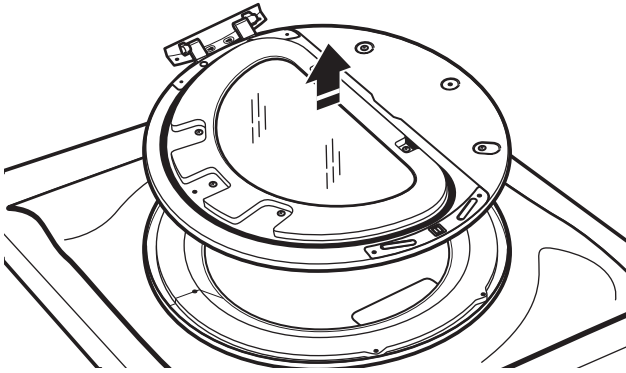
3. Lay the door assembly on a previously prepared flat surface with the inside (inner door assembly) facing up, and remove 6 phillips-head screws to release outer door assembly from inner door assembly.



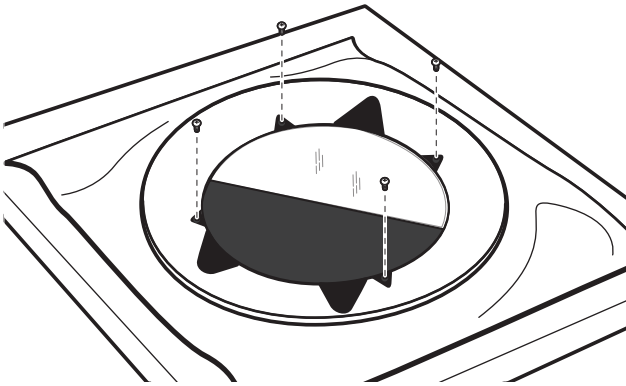
NOTE: It is important that you remove only the 6 indicated screws.

REVERSING DRYER DOOR SWING (OPTIONAL)

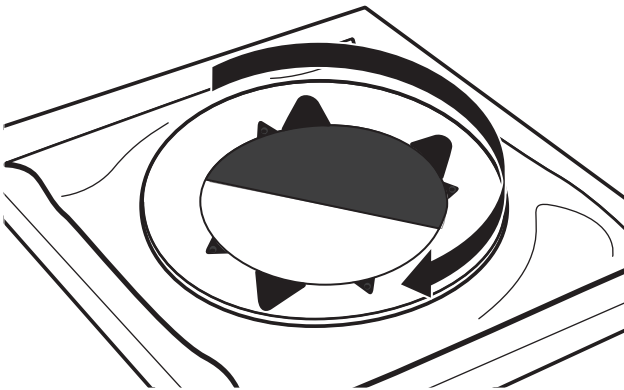
4. Lift the inner door assembly off outer door assembly.



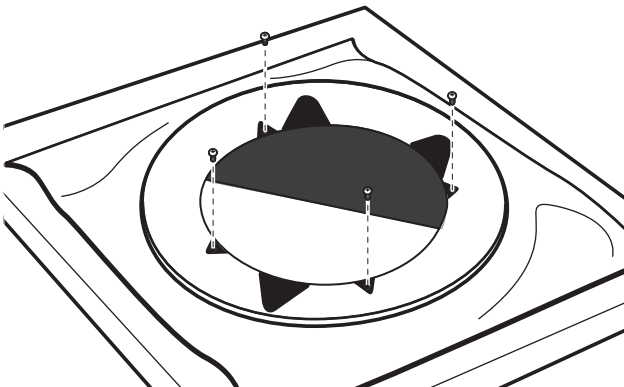
5. Remove 4 Phillips-head screws to release center insert from outer door ring.



6. Lift and rotate center insert 180 degrees.

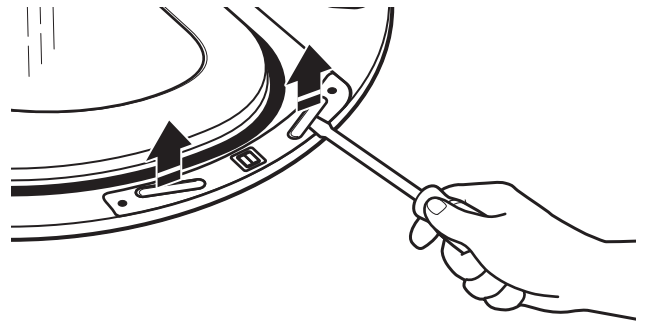


7. Reassemble the center insert and outer door ring with the 4 screws.

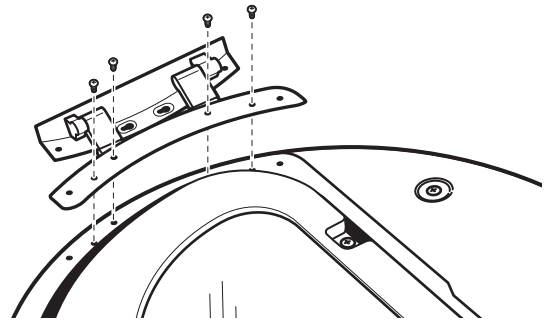


Reverse Hinge

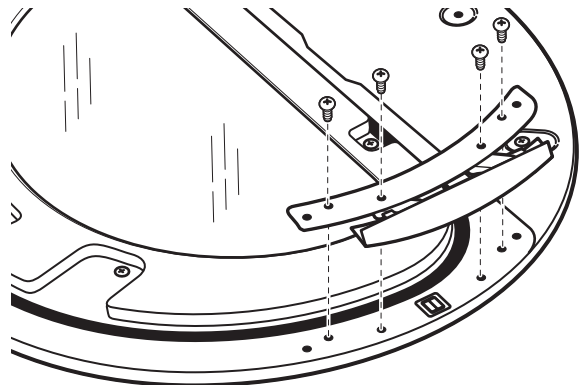
1. Use a small flat-blade screwdriver to remove 2 plug strips from the inner door. Slide the head of the screwdriver under the plugs, without scratching inner door surface, and lift up strip.



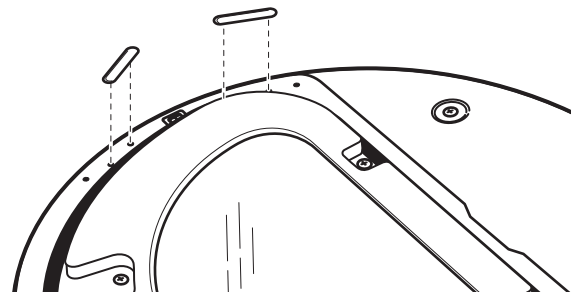
2. Remove the 4 screws that attach to inner door hinge.



3. Move hinge to other side. Reinstall 4 screws.



4. Reinstall plug strips on opposite side of the inner door.

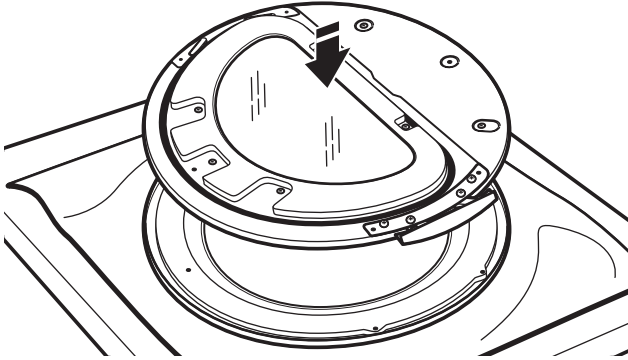


5. Check for fingerprints on the glass. Clean if necessary.

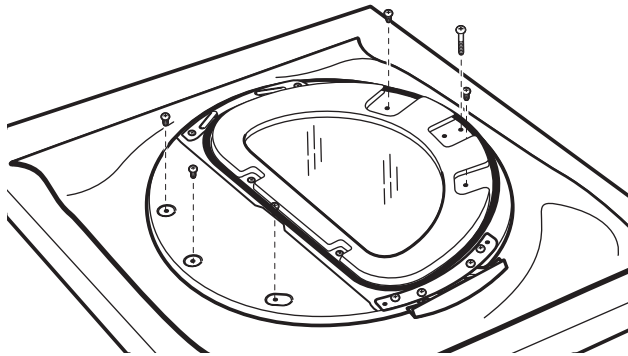
REVERSING DRYER DOOR SWING (OPTIONAL)

Replace the Door Assembly

1. Place the inner door assembly inside the outer door assembly.

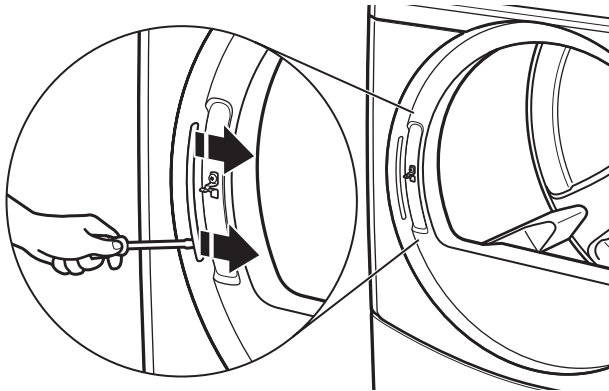


2. Reassemble the inner and outer door assemblies with the 6 screws.

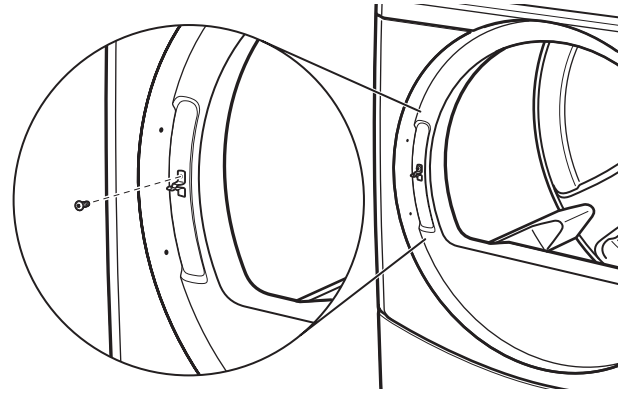


Reverse the strike

1. Use a small flat-blade screwdriver to remove plug strip from the dryer door opening. Slide the head of the screwdriver under the plugs, without scratching dryer surface, and lift up strip.



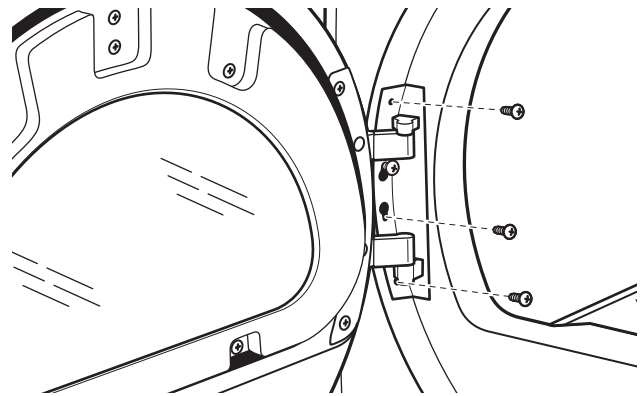
2. Remove the strike using a Phillips screwdriver.



3. Insert strike on the opposite side.

Reinstall the door

1. Partially insert the third screw from the top; then slide the hinge onto this screw while hooking the hinge into the front panel hole. Reattach door to dryer front panel with the remaining three screws.



2. Check for fingerprints on the glass. Clean if necessary.
3. Close door and check that it latches securely.

MAINTENANCE INSTRUCTIONS

- Clean lint screen before and after each cycle.
- Removing accumulated lint:
From inside the dryer cabinet:
Lint should be removed every 2 years or more often, depending on dryer usage. Cleaning should be done by a qualified person.
From the exhaust vent:
Lint should be removed every 2 years, or more often, depending on dryer usage.
- Keep area around dryer clear and free from combustible materials, gasoline, and other flammable vapors and liquids.
- Keep dryer area clear and free of items that would obstruct the flow of combustion and ventilation air.

If dryer does not operate, check the following:

- Electrical supply is connected.
- Circuit breaker is not tripped or house fuse is not blown.
- Door is closed. Listen closely to hear the door switch activate.
- Control is set up properly and display shows cycle time.
- Cycle selection button has been pushed firmly.
- For gas dryers, check that gas supply shut-off valves are set in open position.

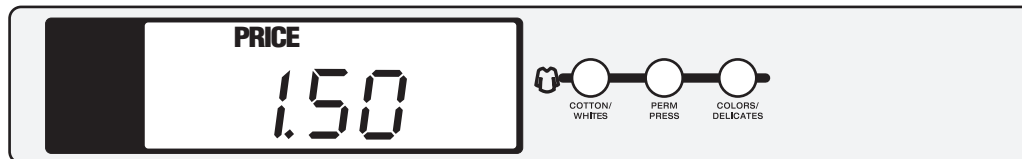
IF YOU NEED ASSISTANCE

If you need service, all warranty service is provided exclusively by our authorized Whirlpool Service Providers. In the U.S. and Canada, direct all requests for warranty service to: Whirlpool Customer Experience Center.

In the U.S.A. call **1-800-253-1301**. In Canada call **1-800-807-6777**.

If outside the 50 United States and Canada, contact your authorized Whirlpool dealer to determine if another warranty applies.

ELECTRONIC CONTROL SETUP INSTRUCTIONS



NOTE: After the dryer has been installed and plugged in, the display will show “0 MINUTES.” After the door has been opened and closed, the display will show the vend price.

General User Information

SCROLLING “OUT OF ORDER” MESSAGE, FOLLOWED BY A FAILURE OR DIAGNOSTIC CODE, SHOWING IN DISPLAY – This condition indicates the dryer is inoperative.

“0 MINUTES” SHOWING IN DISPLAY – This indicates the dryer cannot be operated. Coins dropped or debit inputs during this condition will be stored in escrow but cannot be used until normal operation is restored by opening and closing the door. If a door switch has failed, causing “0 MINUTES” to remain in the display after the door is opened and closed, it must be replaced before normal operation can be restored.

COLD START (Initial first use) – Dryer is programmed at the factory as follows: \$1.50 dry price (30 minutes).
9160 model only: \$0 dry price (45 minutes)

WARM START (after power failure) – A few seconds after power is restored, if a cycle was in progress at the time of the power failure, “RESELECT CYCLE” will flash in the display, indicating the need for a fabric setting button to be pressed to restart dryer.

PRICING – After the door is opened and then closed following the completion of a cycle, the display indicates the cycle price (unless set for free operation, where the display will flash “SELECT CYCLE”). As coins are dropped or debit inputs arrive, the display will change to lead the user through the initiation of a cycle.

There are four (4) types of dryer pricing:

Fixed “Vend” Pricing

A dryer setup for “Fixed Cycle” operation can only accept additional time accumulated by increments equal to the length of a complete dry cycle. A maximum of 75 minutes may be purchased; no additional credit is given for coins dropped with 75 minutes in the display.

Accumulator Pricing

If option d is set to d. 00, and the 6 code is set to one coin 1, then accumulator pricing is in effect. Cycle time can be purchased one coin at a time up to the maximum time of 75 minutes.

ELECTRONIC CONTROL SETUP INSTRUCTIONS

Fixed Cycle With Top Off Pricing (available for use with coin drops or card readers only)

A dryer set to offer “Top Off” capability will allow time to be added to an existing dry cycle in increments equal to the number of minutes of dry time per quarter (coin 1), up to 75 minutes, regardless of the cost required to start the dryer. No credit is given for coins or debit inputs entered when the control is displaying 75 minutes.

FREE CYCLES – This is established by setting the cycle price to zero. When this happens, “SELECT CYCLE” will appear rather than a cycle price. Any cycle started as a free cycle will automatically terminate when the door is opened.

DEBIT CARD READY – This dryer is debit card ready. It will accept a variety of debit card systems, but does NOT come with a debit card reader. Refer to the debit card reader manufacturer for proper dryer setup. When a Generation 2 card reader is installed, the dryer is placed in enhanced debit mode.

In Enhanced Debit Mode, the top off price can be set independently (see VALUE OF COIN 2), and the top off time is calculated according to the following equation:

$$\frac{\text{top off price}}{\text{full cycle price}} = \frac{\text{top off time}}{\text{full cycle length}}$$

In models converted to a Generation 1 debit card system, debit pulses represent the equivalent of one coin (coin 1).

NOTE: Enhanced debit mode cannot be deselected.

Control Set-up Procedures

IMPORTANT: Read all instructions before operating.

The fabric setting buttons along with the digital display are used to set up the dryer controls.

The display can contain 4 numbers and/or letters and a decimal point. These are used to indicate the set-up codes and related code values available for use in programming the dryer.

How to Use the Buttons to Program the Controls

1. The COTTON/WHITES button is used to adjust the values associated with set-up codes. Pressing the button will change the value by increments. Rapid adjustment is possible by holding down the button.
2. The PERM PRESS button will advance through the set-up codes. Pressing this button will advance to the next available set-up code. Holding down the button will automatically advance through the set-up codes at a rate faster than 1 per second.
3. The COLORS/DELICATES button is used to select or deselect options.

Start Operating Setup

Insert service access door key, turn, and lift to remove service access door.

Dryers with Card Reader Installed:

Once the debit card reader is installed (according to the reader manufacturer’s instructions), the set-up mode can be entered by inserting a manual set-up card (supplied by the reader manufacturer) into the card slot. If manual set-up card is not available, only the diagnostic mode can be entered by removing the service access door.

IMPORTANT: To access set-up mode or diagnostic mode, use a service key (9050 models) to open the service access door. If a card reader is installed, a service card is available for accessing diagnostics. If a service key is not available (9060 models), the AA1 connector must be removed or the Service Access Code described below must be used. The console must not be opened unless power is first disconnected from the dryer. To access connector AA1:

1. Unplug dryer or disconnect power.
2. Open console, remove plug on AA1, and close console.
3. Plug in dryer or reconnect power.

The dryer is now in the set-up mode.

To enter the alternative Service Access Code and enter set-up mode: Press the Left Button, Right Button, Left Button, Right Button, and Right Button.

NOTE: It is not necessary to set up the dryer with the following codes; the dryer is pre-set at the factory. These codes can be used to change settings, if desired.

Set-Up Codes

- The PERM PRESS button will advance from code to code.
- The COTTON/WHITES button will change the code value.
- The COLORS/DELICATES button will select or deselect options.

The set-up code is indicated by the one or two left-hand characters. The set-up code value is indicated by the two or three right-hand characters.

NOTE: The first line of each code indicates the factory default.

ELECTRONIC CONTROL SETUP INSTRUCTIONS

Code	Explanation
6. 06	REGULAR CYCLE PRICE
6. 06	When the d.xx is set to d.00, this 6.xx value represents the number of coins (coin 1) needed to start the dryer; may adjust from 0–39. Change this value by pressing the COTTON/WHITES button. 6.06 = 6 coins = \$1.50. (9160 models default to 6.00.)
6. 01	When the d.xx is set to d.CS, this 6.xx value represents the number of push-in actuations of the coin slide to start the dryer. 6.01 would equal one coin slide activation. <ul style="list-style-type: none"> • Press the PERM PRESS button once to advance to next code.
7. 05	REGULAR DRY TIME
7. 05	When set to Coin Drop or Card Reader operation, the dry time equals the Regular Dry Time value multiplied by the Regular Cycle Price value. Example: 6.06 and 7.05 = (06 x 05 = 30 minutes).
7. 45	For coinslide or OPL operation, the value is the amount of minutes of dry time. Factory default of 45 minutes. Pressing COTTON/WHITES adjusts the value from 1–75 minutes. <ul style="list-style-type: none"> • Press the PERM PRESS button once to advance to next code.
8. 00	TYPE OF DRYER PRICING
8. 00	Fixed Cycle with Top Off. Only available for use with coin drops or card readers. For detailed description, see “General User Information.”
8. FC	Fixed Cycle. For detailed description, see General User Information. Use COLORS/DELICATES button to make this selection. <ul style="list-style-type: none"> • Press the PERM PRESS button once to advance to next code.
9. 00	CYCLE COUNTER OPTION This option is either NOT SELECTED “OFF” or SELECTED “ON.”
9. 00	Not Selected “OFF.”
9. 0C	Selected “ON” and not able to be deselected. <ul style="list-style-type: none"> • Press the COLORS/DELICATES button 3 consecutive times to select “ON.” Once selected “ON” it cannot be deselected. • Press the PERM PRESS button once to advance to next code.
1. 00	MONEY COUNTER OPTION This option is either NOT SELECTED “OFF” or SELECTED “ON.”
1. 00	Not Selected “OFF.”
1. 0C	Selected “ON.” <ul style="list-style-type: none"> • Press the COLORS/DELICATES button 3 consecutive times to select “ON” and 3 consecutive times to deselect (Not Selected “OFF”). Counter resets by going from “OFF” to “ON.”
1. C0	Selected “ON” and not able to be deselected. <ul style="list-style-type: none"> • To select “ON” and not able to be deselected, first select “ON;” then within 2 seconds press the COLORS/DELICATES button twice, the COTTON/WHITES button once, and exit set-up mode. • Press the PERM PRESS button once to advance to next code.

Code	Explanation
2. 00	SPECIAL PRICING OPTIONS This option is either SELECTED ‘ON’ or NOT SELECTED ‘OFF’.
2. 00	Not Selected ‘OFF’.
2. SP	Selected ‘ON’. Press the COLORS/DELICATES button once for this selection. If SPECIAL PRICING OPTION is selected, there is access to codes ‘3.’ thru ‘9.’ <ul style="list-style-type: none"> • Press the PERM PRESS button once to advance to next code.
OPTIONS TO USE IF SPECIAL PRICING IS SELECTED:	
3. 06	SPECIAL CYCLE PRICE
3. 06	Represents the number of quarters (coin 1) needed to start the dryer; may adjust from 0–39. (See b.xx setup for VALUE OF COIN 1). Advance from 0–39 by pressing the COTTON/WHITES button. Factory default of 6 quarters = \$1.50.
3. 00	Model 9160: Factory default of 0 quarters. <ul style="list-style-type: none"> • Press the PERM PRESS button once to advance to next code.
4. 05	SPECIAL DRY TIME
4. 05	Model 9150: Represents the number of minutes per quarter (coin 1). Factory default of 5 minutes per coin Example: 6 quarters x 5 minutes = 30 minutes. By pressing the COTTON/WHITES button, the value can be adjusted from 1–75 minutes.
4. 45	Model 9160: Represents the fixed cycle time in minutes. As example: ‘4.45’ = 45 minutes. <ul style="list-style-type: none"> • Press the PERM PRESS button once to advance to next code.
5. 00	TIME-OF-DAY CLOCK, MINUTES
5. 00	This is the TIME-OF-DAY CLOCK, minute setting; select 0–59 minutes by pressing the COTTON/WHITES button. <ul style="list-style-type: none"> • Press the PERM PRESS button once to advance to next code.
6. 00	TIME-OF-DAY CLOCK, HOURS NOTE: Uses military time – 24 hours clock.
6. 00	This is the TIME-OF-DAY CLOCK, hour setting; select 0–23 hours by pressing the COTTON/WHITES button. <ul style="list-style-type: none"> • Press the PERM PRESS button once to advance to next code.
7. 00	SPECIAL PRICE START HOUR NOTE: Uses military time – 24 hours clock.
7. 00	This is the start hour; select 0–23 hours. Select START HOUR by pressing the COTTON/WHITES button. <ul style="list-style-type: none"> • Press the PERM PRESS button once to advance to next code.

ELECTRONIC CONTROL SETUP INSTRUCTIONS

Code	Explanation																								
8. 00	SPECIAL PRICE STOP HOUR NOTE: Uses military time – 24 hours clock.																								
8. 00	This is the stop hour; select 0–23 hours. Select STOP HOUR by pressing the COTTON/WHITES button. <ul style="list-style-type: none"> • Press the PERM PRESS button once to advance to next code. 																								
9. 10	SPECIAL PRICE DAY																								
9. 10	This represents the day of the week and whether special pricing is selected for that day. A number followed by '0' indicates no selection for that particular day (9.10). A number followed by an 'S' indicates selected for that day (9.1S). Day of week (1–7) can be chosen by pressing the COTTON/WHITES button. Press the COLORS/DELICATES button once to select special pricing for each day chosen. When exiting set-up code '9.', the display must show current day of week: <table border="1" style="margin-left: 20px; margin-top: 10px;"> <thead> <tr> <th>DISPLAY</th> <th>DAY OF WEEK</th> <th>CODE (selected)</th> </tr> </thead> <tbody> <tr> <td>10</td> <td>Day 1 = Sunday</td> <td>1S</td> </tr> <tr> <td>20</td> <td>Day 2 = Monday</td> <td>2S</td> </tr> <tr> <td>30</td> <td>Day 3 = Tuesday</td> <td>3S</td> </tr> <tr> <td>40</td> <td>Day 4 = Wednesday</td> <td>4S</td> </tr> <tr> <td>50</td> <td>Day 5 = Thursday</td> <td>5S</td> </tr> <tr> <td>60</td> <td>Day 6 = Friday</td> <td>6S</td> </tr> <tr> <td>70</td> <td>Day 7 = Saturday</td> <td>7S</td> </tr> </tbody> </table> <ul style="list-style-type: none"> • Press the PERM PRESS button once to advance to next code. 	DISPLAY	DAY OF WEEK	CODE (selected)	10	Day 1 = Sunday	1S	20	Day 2 = Monday	2S	30	Day 3 = Tuesday	3S	40	Day 4 = Wednesday	4S	50	Day 5 = Thursday	5S	60	Day 6 = Friday	6S	70	Day 7 = Saturday	7S
DISPLAY	DAY OF WEEK	CODE (selected)																							
10	Day 1 = Sunday	1S																							
20	Day 2 = Monday	2S																							
30	Day 3 = Tuesday	3S																							
40	Day 4 = Wednesday	4S																							
50	Day 5 = Thursday	5S																							
60	Day 6 = Friday	6S																							
70	Day 7 = Saturday	7S																							
A. 00	VAULT VIEWING OPTION This option is either SELECTED 'ON' or NOT SELECTED 'OFF'.																								
A. 00	Not Selected 'OFF'.																								
A. SC	Selected 'ON'. Press the COLORS/DELICATES button once for this selection. When selected, the money and/or cycle counts will be viewable (if counting is selected) when the coin box is removed. <ul style="list-style-type: none"> • Press the PERM PRESS button once to advance to next code. 																								
b. 05	VALUE OF COIN 1																								
b. 05	This represents the value of coin 1 in number of nickels: 05 = \$0.25 (default for 9150 and 9160 models). <ul style="list-style-type: none"> • By pressing the COTTON/WHITES button, there is an option of 1–199 nickels. • Press the PERM PRESS button once to advance to next code. 																								
b. 30	With coin slide activation, this represents the total vend price in nickels. Example: b.30 is equal to \$1.50.																								

Code	Explanation
C. 20	VALUE OF COIN 2
C. 20	This represents the value of coin 2 in number of nickels: 20 = \$1.00. <ul style="list-style-type: none"> • By pressing the COTTON/WHITES button, there is an option of 1–199 nickels.
C. 05	When a Gen 2 card reader is used, this code represents the value of top off in nickels. C.05 = \$0.25. <ul style="list-style-type: none"> • Press the PERM PRESS button once to advance to next code.
d. 00	COIN SLIDE OPTION This option is either Selected "ON" or Not Selected "OFF." Replacement of meter case will be needed for coin slide mounting.
d. 00	Not Selected 'OFF'.
d. CS	Selected 'ON'. NOTE: This option needs to be set to '00' unless the meter case has been changed to accept a coin slide device. Press the COLORS/DELICATES button 3 consecutive times for this selection. When coin slide mode is selected, set 'b.' equal to value of vend price in nickels. Set '6 XX' (REGULAR CYCLE PRICE) and '3.XX' (SPECIAL CYCLE PRICE) to number of slide operations. NOTE: If the installer sets up 'CS' on a coin drop model, the dryer will not register coins inserted. <ul style="list-style-type: none"> • Press the PERM PRESS button once to advance to next code.
E. 00	ADD COINS OPTION This option is either Selected 'ON' or Not Selected 'OFF'. This option causes the customer display to show the number of coins (coin 1) to enter, rather than the dollars-and-cents amount.
E. 00	Not Selected 'OFF'.
E. AC	Selected 'ON'. Press the COLORS/DELICATES button 3 consecutive times for this selection. 9160 MODELS ONLY: In enhanced debit mode, this option is not selectable. <ul style="list-style-type: none"> • Press the PERM PRESS button once to advance to next code.
J. Cd	PAYMENT MODE (COIN/DEBIT OPTION)
J. Cd	Both coin and debit selected. Press the COLORS/DELICATES button 3 consecutive times to change this selection.
J. C_	Coins selected, debit disabled. Press the COLORS/DELICATES button 3 consecutive times to change this selection.
J. _d	Debit Card selected, coin disabled (default for 9160 models). This selection must be used for free vend. Press the COLORS/DELICATES button 3 consecutive times to change this selection.
J. Ed	Enhanced Debit is self-selected when a Generation 2 card reader is installed in the dryer. The "Ed" option cannot be manually selected or deselected. <ul style="list-style-type: none"> • Press the PERM PRESS button once to advance to next code.

ELECTRONIC CONTROL SETUP INSTRUCTIONS

Code	Explanation
L. 00	PRICE SUPPRESSION OPTION This option is either Selected 'ON' or Not Selected 'OFF'. This option causes the customer display to show 'AVAILABLE' or 'ADD' rather than the amount of money to add. (Used mainly in debit installations.)
L. 00	Not Selected 'OFF'.
L. PS	Selected 'ON'. Press the COLORS/DELICATES button once for this selection. <ul style="list-style-type: none"> • Press the PERM PRESS button once to advance to next code.
n. CE	CLEAR ESCROW OPTION This option is either Selected "ON" or Not Selected "OFF." When selected, money held in escrow for 30 minutes without further escrow or cycle activity will be cleared.
n. 00	Not Selected "OFF."
n. CE	Selected "ON." <ul style="list-style-type: none"> • Press the COLORS/DELICATES button once to change this selection. • Press the PERM PRESS button once to advance to next code.
U. 00	PENNY INCREMENT OFFSET
U. 00	This represents the penny increment price offset used in Generation 2 (Enhanced Debit) 9160 models. Choose from 0–4 pennies by pressing the COTTON/WHITES button. <ul style="list-style-type: none"> • Press the PERM PRESS button once to advance to next code.

If cycle counter (9 0C) is selected, the following is true:

1 00	Cycles in HUNDREDS	$1 \underline{02} = 200$
2 00	Cycles in ONES	$2 \underline{25} = 25$
		TOTAL CYCLES = 225

This is "VIEW ONLY" and cannot be cleared.

- Press the PERM PRESS button once to advance to next code.

If money counter (1.0C or 1.C0) is selected, the following is true:

3 00	Dollars in HUNDREDS	$3 \underline{01} = \$100.00$
4 00	Dollars in ONES	$4 \underline{68} = \$ 68.00$
5 00	Number of CENTS	$5 \underline{75} = \$ 00.75$
		TOTAL = \$168.75

END of SET-UP PROCEDURES

TO EXIT FROM SET-UP MODE

1. Close the service access door.
2. Disconnect dryer from power before reinstalling the AA1 connector, if it was removed.
3. Remove the manual set-up card.
4. Wait 2 minutes without activating any dryer inputs.
5. Disconnect and then reconnect power.

Diagnostic Codes

If the set-up mode is entered and one of the following has previously occurred, the appropriate diagnostic code will be in the display.

Dryer Display	Explanation
d 5	Blocked coin 1 or coin drop UI control circuit failure (coin recognition and customer display disabled while blockage persists).
d 9	Voltage detected below 90 VAC for 8 seconds.
d 13	Blocked coin 2 or coin drop UI control circuit failure (coin recognition and customer display disabled while blockage persists).
d 16	Not receiving communications from installed debit card reader in Enhanced (Generation 2) Debit mode.
F 01	Dryer motor control circuit error (cycles and price display disabled until diagnostic code is manually cleared). The control doesn't know if the motor relay is bad (stuck on), the motor relay drive circuit is bad (shorted), causing the motor relay to stay on, or the motor relay feedback circuit is bad.
F 22	Exhaust thermistor open, temperature drops below 18°F (>50 kΩ) for 1 minute in Run mode, or immediately in Factory Diagnostic Mode.
F 23	Exhaust thermistor shorted, temperature above 250°F (<500 Ω) for 1 minute in Run mode, or immediately in Factory Diagnostic Mode.
F 70	UI is not receiving communications from CCU (cycles and price display disabled while error persists or is manually cleared).
F 71	CCU is not receiving communications from UI (cycles and price display disabled while error persists or is manually cleared).
F 73	UI Microprocessor is not able to read or verify EEPROM (cycles and price display disabled until diagnostic code is manually cleared).
F 74	UI EEPROM memory is a CRC failure (cycles and price display disabled until diagnostic code is manually cleared).

ELECTRONIC CONTROL SETUP INSTRUCTIONS

Dryer Diagnostic Mode

This mode is entered by pressing COLORS/DELICATES for one second while in either of the set-up codes 6.xx or 7.xx or with a diagnostic code present. Diagnostic codes are cleared on entry and all display segments should flash. If a diagnostic code persists, it must be corrected before the diagnostic cycle can be entered.

All Models:

With all segments flashing, the diagnostic cycle is started by pressing the PERM PRESS button. The cycle consists of 7 minutes of heat and 1 minute of cooldown.

The COTTON/WHITES button will increment the diagnostic cycle minutes up to 75, then roll over to 2 minutes. The COLORS/DELICATES button will cancel this cycle and exit the diagnostic mode.

Dryer Help Mode

Dryer help mode is entered by pressing the COTTON/WHITES button while in special pricing option 2.XX. In help mode, the software revision is displayed. The help mode is advanced by pressing the PERM PRESS button. See Help Mode Submenu below for the order in which items are displayed. Press the COTTON/WHITES button at any time to exit help mode.

Help Codes

Help Code	Description
71	Generation 2 debit card cycle polling message out of sequence.
74	Generation 2 debit card remaining balance message out of sequence.
75	Generation 2 debit card new card balance message out of sequence.
88	Invalid messaging state found in data acquisition communications comm_suprv () routine.

Help Mode Submenu

Step	Display Indication	Explanation
1	1h.XX	Help Code 1, where XX is the help code number. *
2	2h.XX	Help Code 2, where XX is the help code number. *
3	3h.XX	Help Code 3, where XX is the help code number. *
4	1.X##	Error history code 1, where X is the F or d code, and ## is the code number. **
5	2.X##	Error history code 2, where X is the F or d code, and ## is the code number. **
6	3.X##	Error history code 3, where X is the F or d code, and ## is the code number. **
7	4.X##	Error history code 4, where X is the F or d code, and ## is the code number. **
8	SC.XX	CCU software revision, where XX is the software revision number.
9	SU.XX	UI software revision, where XX is the software number.
10	EU.XX	UI EEPROM revision, where XX is the EEPROM number.

* To erase the 3 help codes, press COLORS/DELICATES button.

** The Errors displayed in this section are the history errors that have occurred in the dryer (not necessarily an error that is in progress). The current error is displayed in the MANUAL KEY FUNCTION IN DIAGNOSTIC SUB-MODE.

In help mode, other display symbols and elements are mapped to reflect the state of various inputs and outputs as follows:

All Dryers

*.....low voltage present (below about 90 VAC)
 °(circle above digit)..... door closed
 OR..... motor sensed running
 AIR..... heater/gas valve relay on
 FLUFF..... motor relay on

SÉCURITÉ DE LA SÈCHEUSE

Votre sécurité et celle des autres est très importante.

Nous donnons de nombreux messages de sécurité importants dans ce manuel et sur votre appareil ménager. Assurez-vous de toujours lire tous les messages de sécurité et de vous y conformer.



Voici le symbole d'alerte de sécurité.

Ce symbole d'alerte de sécurité vous signale les dangers potentiels de décès et de blessures graves à vous et à d'autres.

Tous les messages de sécurité suivront le symbole d'alerte de sécurité et le mot "DANGER" ou "AVERTISSEMENT". Ces mots signifient :

⚠ DANGER

Risque possible de décès ou de blessure grave si vous ne suivez pas immédiatement les instructions.

⚠ AVERTISSEMENT

Risque possible de décès ou de blessure grave si vous ne suivez pas les instructions.

Tous les messages de sécurité vous diront quel est le danger potentiel et vous disent comment réduire le risque de blessure et ce qui peut se produire en cas de non-respect des instructions.

- On recommande que le propriétaire place les instructions à l'usage du client en un lieu bien visible, au cas où le client percevrait une odeur de gaz. Ces renseignements doivent être obtenus auprès de votre fournisseur en gaz.
- Placer l'avertissement qui suit à un endroit bien visible.

POUR VOTRE SÉCURITÉ

Ne pas remiser ou utiliser de l'essence ou tout autre liquide ou vapeur inflammable à proximité de cet appareil ou de tout autre appareil.

⚠ AVERTISSEMENT :

RISQUE D'INCENDIE OU D'EXPLOSION

Le non-respect des avertissements de sécurité peut causer des dommages à la propriété, des blessures graves, voire la mort.

- **Ne pas entreposer ou utiliser de l'essence ou d'autres vapeurs ou liquides inflammables à proximité de cet appareil ou de tout autre appareil électroménager.**
- **QUE FAIRE DANS LE CAS D'UNE ODEUR DE GAZ :**
 - **Ne pas tenter d'allumer un appareil.**
 - **Ne pas toucher à un commutateur électrique; ne pas utiliser le téléphone se trouvant sur les lieux.**
 - **Évacuer tous les gens de la pièce, de l'édifice ou du quartier.**
 - **Appeler immédiatement le fournisseur de gaz d'un téléphone voisin. Suivre ses instructions.**
 - **À défaut de joindre votre fournisseur de gaz, appeler les pompiers.**
- **L'installation et l'entretien doivent être effectués par un installateur qualifié, une agence de service ou le fournisseur de gaz.**

AVERTISSEMENT : L'odorat ne permet pas toujours la détection d'une fuite de gaz.

Les distributeurs de gaz recommandent l'emploi d'un détecteur de gaz (homologation UL ou CSA).

Pour d'autres informations, contacter le fournisseur de gaz local.

En cas de détection d'une fuite de gaz, exécuter les instructions "Que faire dans le cas d'une odeur de gaz".



AVERTISSEMENT - "Risque d'incendie"

- L'installation de la sècheuse à linge doit être effectuée par un installateur qualifié.
- Installer la sècheuse conformément aux instructions du fabricant et aux codes locaux.
- Ne pas installer de sècheuse à linge avec des matériaux d'évacuation en plastique souple ou un conduit métallique souple (de type papier d'aluminium). Si un conduit métallique souple est installé, celui-ci doit être d'un type spécifique identifié par le fabricant de l'appareil et convenir à une utilisation avec les sècheuses à linge. Les matériaux d'évacuation souples sont connus pour s'affaisser, être facilement écrasés et bloquer la charpie. Ces situations obstrueront le débit d'air de la sècheuse à linge et augmenteront le risque d'incendie.
- Pour réduire le risque de blessure grave ou de décès, suivre toutes les instructions d'installation.
- Conserver ces instructions.

Dans l'État du Massachusetts, les instructions d'installation suivantes sont applicables :

- Les travaux d'installation et réparation doivent être exécutés par un plombier ou tuyauteur qualifié ou licencié, ou par le personnel qualifié d'une entreprise licenciée par l'État du Massachusetts.
- Remplacer par des dispositifs de fermeture acceptables : Les robinets de gaz et robinets à bille installés pour l'utilisation devraient être indiqués.
- Si un conduit de raccordement flexible est utilisé, sa longueur ne doit pas dépasser 4 pi (121,9 cm).

SÉCURITÉ DE LA SÈCHEUSE

IMPORTANTES INSTRUCTIONS DE SÉCURITÉ

AVERTISSEMENT : Pour réduire le risque d'incendie, de choc électrique ou de blessure lors de l'utilisation de la sècheuse, il convient d'observer certaines précautions élémentaires dont les suivantes :

- Lire toutes les instructions avant d'utiliser la sècheuse.
- Ne pas placer des articles exposés aux huiles de cuisson dans votre sècheuse. Les articles contaminés par des huiles de cuisson peuvent contribuer à une réaction chimique qui pourrait causer la charge de s'enflammer. Pour réduire le risque d'incendie dû à des charges contaminées, la partie finale du programme de séchage par culbutage a lieu sans chaleur (période de refroidissement). Éviter d'arrêter une sècheuse en phase de culbutage avant la fin du programme de séchage, à moins de retirer et d'étendre rapidement tous les articles afin que la chaleur se dissipe.
- Ne pas faire sécher dans la machine des articles qui ont déjà été nettoyés, lavés, imbibés, ou tachés d'essence, de solvants pour nettoyage à sec, d'autres substances inflammables, ou de substances explosives puisqu'elles dégagent des vapeurs qui peuvent provoquer un incendie ou une explosion.
- Risque de suffocation et de blessure par coincement : Ne pas laisser des enfants jouer sur l'appareil ou à l'intérieur de celui-ci. Une surveillance étroite des enfants est nécessaire lorsque l'appareil est utilisé à proximité d'enfants.
- Avant d'enlever la sècheuse du service ou la jeter, enlever la porte du compartiment de séchage.
- Ne pas mettre la main dans la sècheuse si le tambour est en mouvement.
- Ne pas installer ni entreposer la sècheuse où elle sera exposée aux intempéries.
- Ne pas jouer avec les commandes.
- Ne pas utiliser de pièces de remplacement qui n'ont pas été recommandées par le fabricant (c.-à-d., pièces fabriquées à la maison à l'aide d'une imprimante 3D).
- Ne pas réparer ni remplacer une pièce de la sècheuse ou essayer d'en faire l'entretien à moins d'une recommandation spécifique dans le guide d'utilisation et d'entretien, ou publiée dans les instructions de réparation par l'utilisateur que vous comprenez et pouvez exécuter avec compétence.
- Ne pas utiliser un produit assouplissant de tissu ou des produits pour éliminer la statique à moins qu'ils ne soient recommandés par le fabricant du produit assouplissant de tissu ou du produit.
- Ne pas utiliser la chaleur pour faire sécher des articles fabriqués avec du caoutchouc mousse ou des matériaux semblables.
- Nettoyer le filtre à charpie avant et après chaque charge.
- Ne pas laisser la charpie, la poussière, ou la saleté s'accumuler autour du système d'évacuation ou autour de l'appareil.
- Un nettoyage périodique de l'intérieur de la sècheuse et du conduit d'évacuation doit être effectué par une personne qualifiée.
- Pour les instructions de liaison à la terre, voir "Spécifications électriques" dans les instructions d'installation.
- **AVERTISSEMENT :** Risque d'incendie. Ne pas installer de ventilateur secondaire dans le conduit d'évacuation. **REMARQUE :** L'avertissement de ventilateur secondaire ne s'applique pas aux sècheuses conçues pour être installées dans un système où il y a plusieurs sècheuses, avec un système de conduit d'évacuation conçu sur mesure et installé selon les directives du fabricant de la sècheuse.

SAVE THESE INSTRUCTIONS

IMPORTANT : L'installation au gaz doit être conforme aux codes locaux, ou en l'absence de codes locaux, au Code National d'alimentation au gaz, à la norme ANSI Z223.1/NFPA 54 ou au Code des installations au gaz naturel et au propane, CSA-B149.1.

La sècheuse doit être correctement reliée à la terre en conformité avec les codes locaux en vigueur, ou en l'absence de tels codes, avec le National Electrical Code, ANSI/NFPA 70 ou le Code canadien des installations électriques, CSA C22.1 partie 1.



AVERTISSEMENT

Risque d'incendie

Le non-respect de cet avertissement peut causer des blessures graves, des dommages à la propriété ou le décès.

Ne pas installer de ventilateur d'appoint dans le conduit d'évacuation.

Installer toutes les sècheuses en respectant les instructions d'installation du fabricant de la sècheuse.

IMPORTANTES INSTRUCTIONS DE SÉCURITÉ

Avant de jeter ou de ranger votre vieille sècheuse, enlever la porte.

CONSERVEZ CES INSTRUCTIONS

EXIGENCES D'INSTALLATION

Outils et pièces

Outils requis :



Clé à tube de 8 po ou 10 po



Clé à molette de 8 po et 10 po qui ouvre de 1 po



Tournevis à lame plate



Tournevis cruciforme



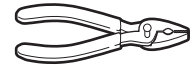
Tournevis ou embout de sécurité Torx T20†



Clé à douille hexagonale de 1 po



Clé à douille de 1/4 po



Pinces (qui ouvre de 1 9/16 po)



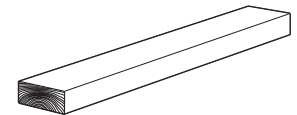
Niveau



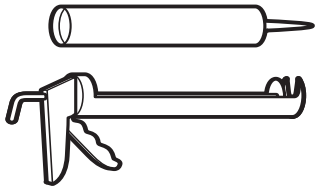
Couteau utilitaire



Tourne-écrou de 1/4 po



Cale de bois de 27 po



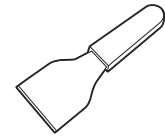
Pistolet à calfeutrage et composé de calfeutrage (pour l'installation d'un nouveau conduit d'évacuation)



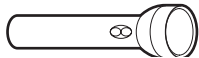
Brides de conduit



Composé d'étanchéité des tuyauteries résistant au type de gaz utilisé



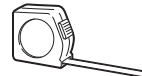
Couteau à mastic



Lampe de poche (facultative)



Clés à fourche de 1 po

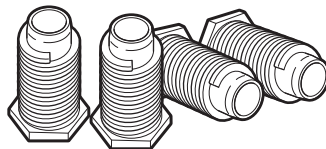


Règle ou ruban à mesurer

Pièces fournies :



Patins (4)



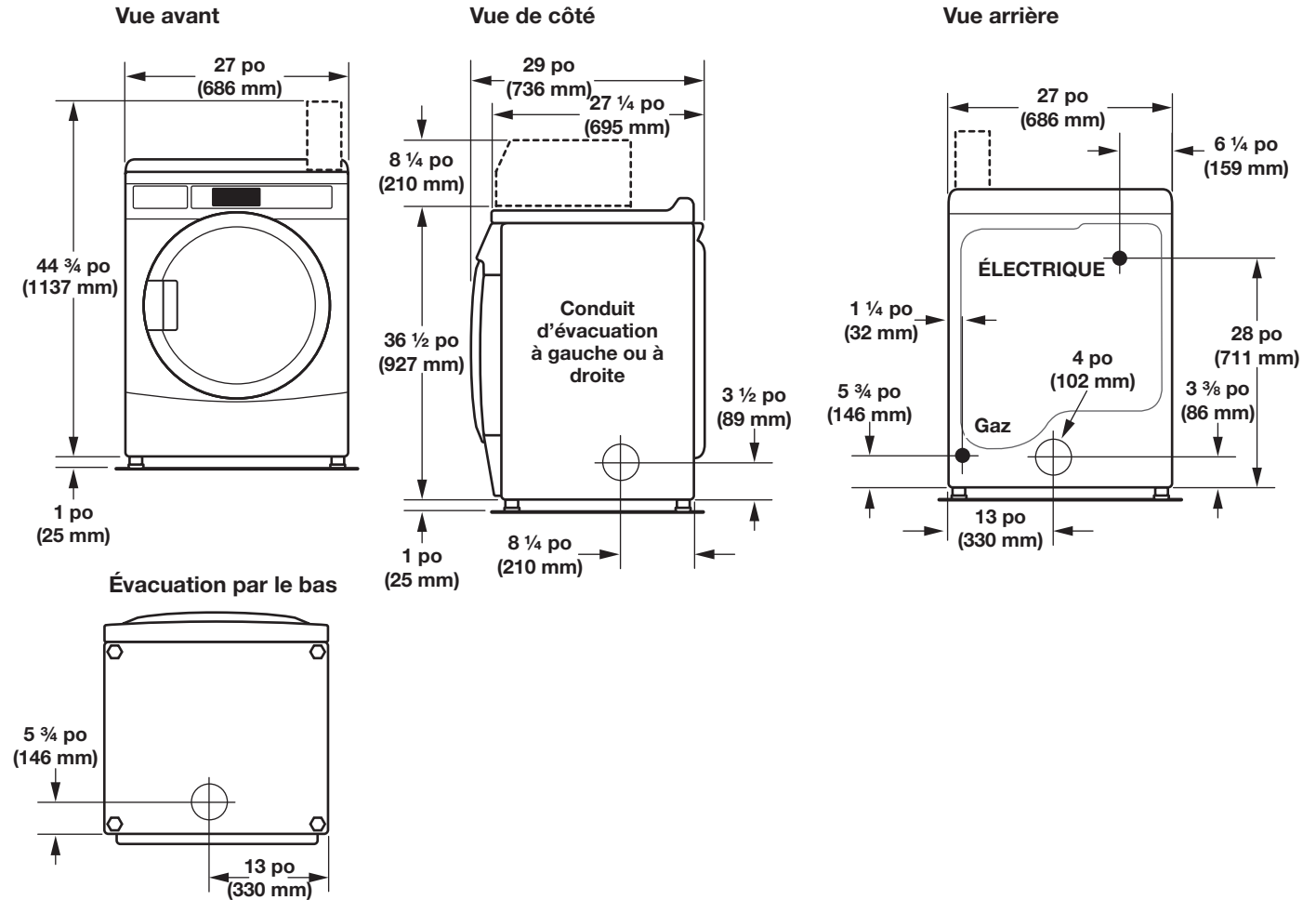
Pieds de nivellement (4)

Pour localiser des pièces de rechange spécifiées par l'usine dans votre région, contacter le revendeur auprès duquel la sècheuse a été achetée.

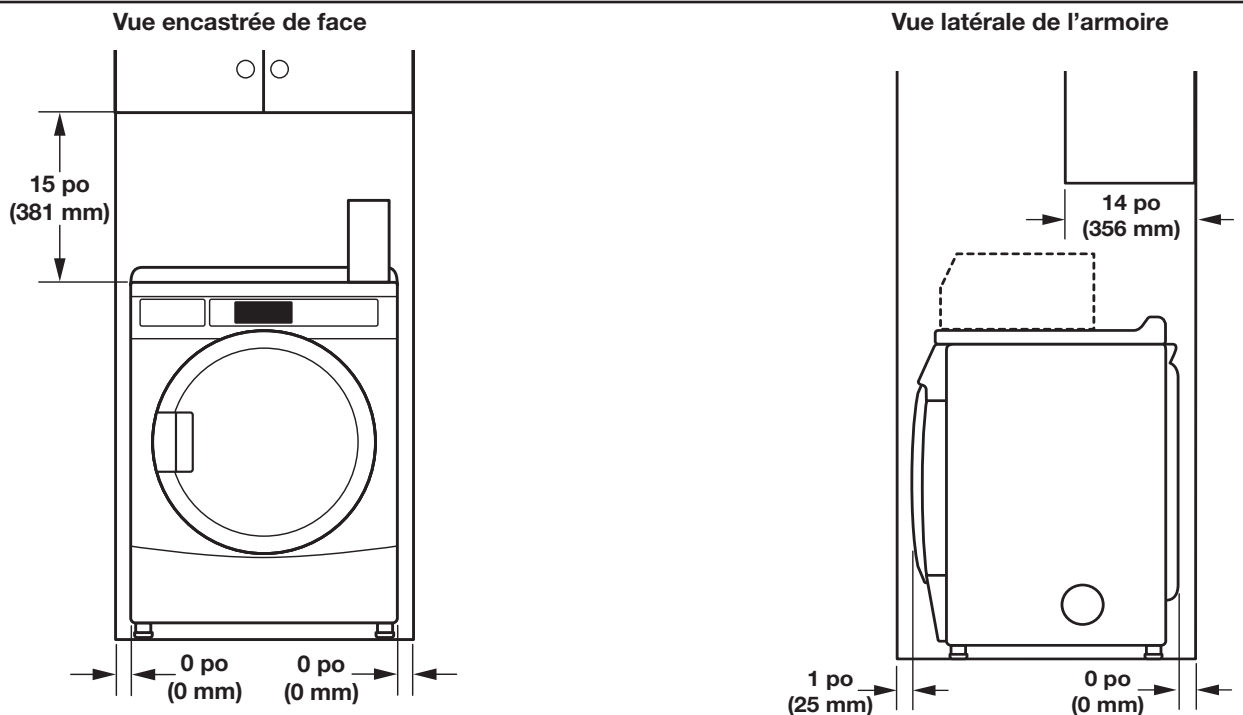
†TORX et T20 sont des marques déposées de Acument Intellectual Properties, LLC.

Dimensions/dégagements

Dimensions



Dégagements



EXIGENCES D'INSTALLATION

Exigences concernant l'évacuation

AVERTISSEMENT



Risque d'incendie

- Utiliser un conduit d'évacuation en métal lourd.
- Ne pas utiliser un conduit d'évacuation en plastique.
- Ne pas utiliser un conduit d'évacuation en feuille de métal.
- Le non-respect de ces instructions peut causer un décès ou un incendie.

AVERTISSEMENT : Pour réduire le risque d'incendie, cette sècheuse DOIT ÉVACUER L'AIR À L'EXTÉRIEUR.

IMPORTANT : Observer les dispositions de tous les codes et règlements en vigueur.

- Le conduit d'évacuation de la sècheuse ne doit pas être raccordé à une évacuation de gaz, une cheminée, un mur, un plafond, un grenier, un vide sanitaire ou un vide de construction. Seul un conduit d'évacuation rigide ou souple doit être utilisé pour le système d'évacuation.
- Utiliser uniquement un conduit d'évacuation en métal lourd de 4 po (102 mm) et des brides de serrage.
- Ne pas utiliser un clapet d'évacuation à fermeture magnétique.
- Utiliser des brides pour sceller tous les joints. Ne pas utiliser de vis ou autres dispositifs de fixation qui se prolongeraient à l'intérieur du conduit et qui capture la charpie. Ne pas utiliser de ruban adhésif pour conduit.
- Ne pas utiliser de conduit de plastique ou de métal très mince.

Conduit métallique rigide :

- Recommandé pour une performance de séchage idéale afin d'éviter tout écrasement ou toute déformation.

Conduit métallique flexible (acceptable seulement dans la mesure où il est accessible en vue du nettoyage) :

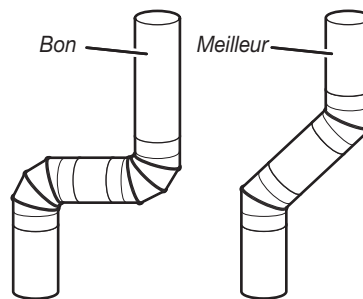
- Doit être entièrement déployé et soutenu à l'emplacement d'installation final de la sècheuse.
- Enlever tout excès de conduit flexible pour éviter tout affaissement et toute déformation susceptible de réduire la capacité d'évacuation et le rendement.
- Ne pas installer le conduit métallique flexible dans des cavités fermées de murs, plafonds ou planchers.
- La longueur totale ne doit pas dépasser 7 ¾ pi (2,4 m).

Terminer le conduit d'évacuation par un clapet de décharge pour empêcher les rongeurs et insectes d'entrer dans l'habitation ou le local.

Le clapet de décharge doit se trouver à au moins 12 po (305 mm) au-dessus du sol ou de tout autre objet susceptible de se trouver sur le trajet de l'air humide rejeté (par exemple, fleurs, roches ou buissons).

Lors de l'utilisation d'un système de décharge existant, nettoyer et éliminer les peluches sur toute la longueur du système et veiller à ce que le clapet de décharge ne soit pas obstrué par une accumulation de peluches. Remplacer tout conduit de plastique ou de feuille métallique par un conduit métallique rigide ou souple.

Planifier l'installation pour introduire le nombre minimal de coudes et de changements de direction.



Si des coudes ou changements de direction sont utilisés, prévoir autant d'espace que possible. Plier le conduit graduellement pour éviter de le déformer.

La sortie d'évacuation est située derrière la sècheuse, en bas au centre.

On peut acheminer le conduit d'évacuation vers le haut, vers le bas, vers la gauche, vers la droite ou en ligne droite depuis l'arrière de la sècheuse. Voir le point « Dimensions du produit » à la section « Exigences d'emplacement ».

Air d'appoint :

Même si chaque sècheuse à charge unique ne devrait avoir qu'une ouverture d'air non obstruée de 24 po² (154 cm²) (selon la mesure de 1 po² [6,5 cm²] pour 1,000 B.T.U. [252 kcal]), les ouvertures d'air d'appoint communes sont cependant aussi acceptables. Installer des ouvertures communes de sorte que l'air d'appoint est distribué uniformément à toutes les sècheuses. Garder à l'esprit que la zone de couverture doit être augmentée de 33 % pour tenir compte de l'utilisation de registres ou de persiennes sur les ouvertures. De plus, les ouvertures d'air d'appoint ne doivent pas être installées près de l'emplacement des conduits d'évacuation à l'extérieur du bâtiment.

Longueur du système d'évacuation

La longueur maximale du système d'évacuation dépend du type de conduit utilisé, du nombre de coudes et du type de clapet d'évacuation. La longueur maximale pour le conduit rigide est illustrée sur le tableau.

Longueur maximum du circuit

Clapets d'évacuation – Diamètre de 4 po (102 mm)

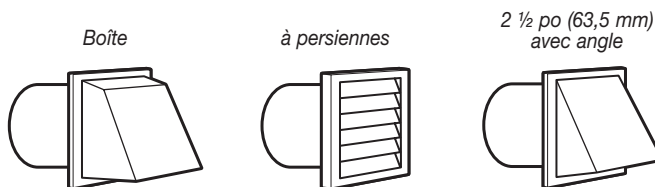


Tableau du système d'évacuation (évent en métal rigide)

Nombre de changements de direction à 90°	Évent carré et à lames	Type incliné
0	64 pi (19,5 m)	58 pi (17,7 m)
1	54 pi (16,5 m)	48 pi (14,6 m)
2	44 pi (13,4 m)	38 pi (11,6 m)
3	35 pi (10,7 m)	29 pi (8,8 m)
4	27 pi (8,2 m)	21 pi (6,4 m)

Pour les systèmes d'évacuation qui ne sont pas couverts dans ce tableau, consulter votre fournisseur de pièces.

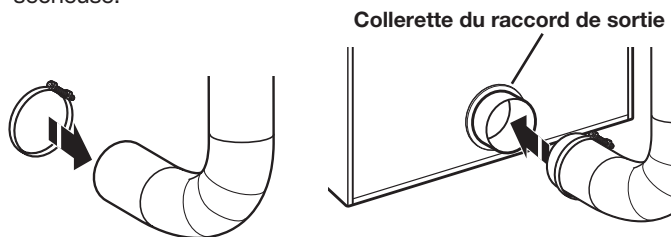
Prévoir un espace suffisant pour la combustion et la ventilation de l'air. (Vérifier les dispositions des codes et règlements en vigueur.) Voir les points « Instructions d'installation dans un encastrement ou une armoire » dans la section « Exigences d'emplacement ».

EXIGENCES D'INSTALLATION

Il est préférable d'utiliser une sortie de hotte de 4 po (102 mm). Cependant, on peut utiliser un clapet d'évacuation de 2 ½ po (64 mm). Une sortie de 2 ½ po (64 mm) cause davantage de contre-pression que les autres types d'installation. Pour une installation permanente, un système d'évacuation fixe est requis.

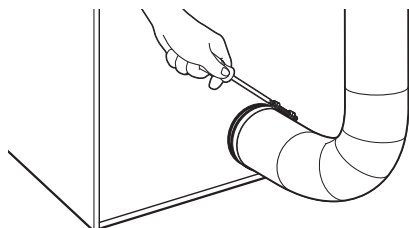
Raccordement du conduit d'évacuation

1. Si on utilise le conduit d'évacuation existant, s'assurer qu'il est propre.
2. À l'aide d'une bride de fixation de 4 po (102 mm), relier le conduit d'évacuation à la bouche d'évacuation de la sècheuse.

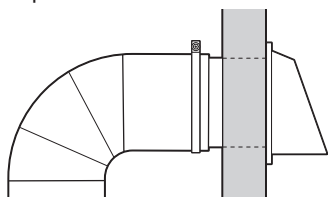


REMARQUE : Ne pas enlever le raccord de sortie.

3. Serrer la bride de serrage de tuyau avec un tournevis cruciforme.



4. S'assurer que le conduit d'évacuation est fixé au clapet d'évacuation à l'aide d'une bride de fixation de 4 po (102 mm).
5. Déplacer la sècheuse à son emplacement final. Ne pas écraser ni pincer le conduit d'évacuation. Vérifier que la sècheuse est d'aplomb.



REMARQUE : L'évaluation de l'évacuation devrait être effectuée à l'aide d'un manomètre. Minimum : 0,01 po (0,2 mm). Maximum : 0,6 po (16 mm).

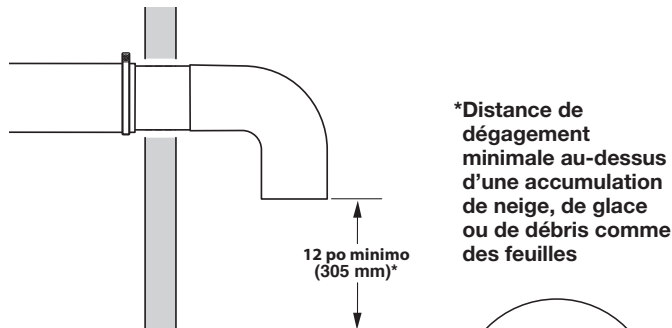
Pour les systèmes d'évacuation autres que ceux indiqués dans le tableau des systèmes d'évacuation, consulter le revendeur de pièces.

Si la sècheuse est installée dans une zone confinée, telle qu'une chambre, une salle de bain ou une armoire, prévoir un espace suffisant pour la combustion et la ventilation de l'air. (Vérifier les dispositions des codes et règlements en vigueur.) Voir le point « Instructions d'installation dans un encastrement ou une armoire » dans la section « Exigences d'emplacement ».

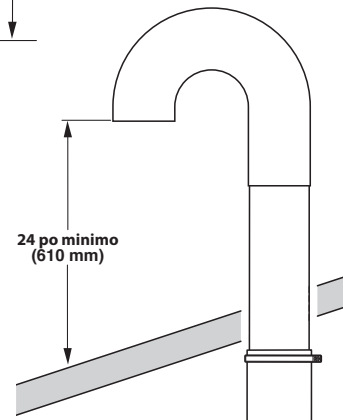
Il est préférable d'utiliser une sortie de hotte de 4 po (102 mm). Cependant, on peut utiliser un clapet d'évacuation de 2 ½ po (64 mm). Une sortie de 2 ½ po (64 mm) cause davantage de contre-pression que les autres types d'installation. Pour une installation permanente, un système d'évacuation fixe est requis.

Si on ne peut pas utiliser de clapet d'évacuation

L'extérieur du conduit d'évacuation principal doit comporter un conduit de déviation orienté vers le bas.



Si le conduit principal monte verticalement à travers le toit et non à travers le mur, installer un coude de déviation à 180° à l'extrémité du conduit d'au moins 2 pi (610 mm) au-dessus de la plus haute partie de l'immeuble. Le diamètre de l'ouverture dans le toit ou le mur doit être supérieur de 1/2 po (13 mm) à celui du conduit. Le conduit doit être centré dans l'ouverture.



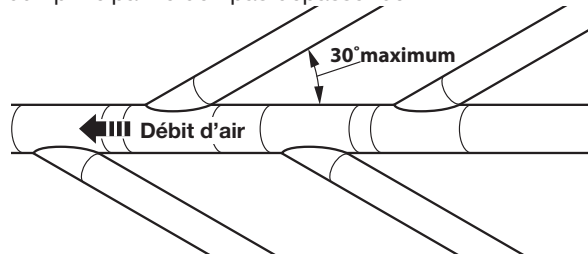
Ne pas installer de moustiquaire ou de bouchon sur le bout de l'évacuation.

Évacuation pour plusieurs sècheuses

- On peut utiliser un conduit principal pour assurer l'évacuation d'un ensemble de sècheuses. La taille du conduit principal doit permettre une évacuation de 200 CFM d'air pour chaque sècheuse. On peut utiliser des filtres à charpie haute capacité correctement conçus dans le conduit principal s'ils sont inspectés et nettoyés régulièrement. La pièce dans laquelle se trouvent les sècheuses doit comporter un système d'air d'appoint au moins égal au pi³/min de toutes les sècheuses qui se trouvent dans la pièce.
- Un ensemble clapet antiretour est offert par votre distributeur et doit être installé sur la ligne d'évacuation de chaque sècheuse pour éviter que l'air évacué revienne dans les sècheuses et pour maintenir l'évacuation en équilibre avec le conduit de sortie principal. Des ouvertures dégagées pour le retour d'air sont nécessaires.

Chaque conduit doit pénétrer dans le conduit principal en direction du mouvement de circulation de l'air. Les évacuations par l'autre côté doivent être placées en quinconce (décalées) pour réduire les interférences avec l'air sortant des autres évacuations en face.

L'inclinaison maximale de chaque conduit qui pénètre dans le conduit principal ne doit pas dépasser 30°.



Veiller à ce que les ouvertures de passage d'air demeurent exemptes de vapeurs de solvants de nettoyage à sec. Les vapeurs sont source de formation de composés acides, dont l'introduction par les modules de chauffage de la sècheuse peut provoquer la détérioration de la sècheuse et du linge en cours de séchage.

Le conduit d'évacuation principal devrait comporter un couvercle amovible, ce qui permet le nettoyage périodique du circuit d'extraction.

EXIGENCES D'INSTALLATION

Exigences d'installation de la sècheuse à gaz

Exigences d'emplacement

⚠ AVERTISSEMENT



Risque d'explosion

Garder les matières et les vapeurs inflammables, telle que l'essence, loin de la sècheuse.

Ne pas installer dans un garage.

Le non-respect de ces instructions peut causer un décès, une explosion ou un incendie.

IMPORTANT : Ne pas installer ou remiser la sècheuse dans un endroit où elle sera exposée à l'eau ou aux intempéries. C'est à l'utilisateur qu'incombe la responsabilité de réaliser une installation correcte.

Il faut :

- Une prise électrique reliée à la terre située à moins de 6 pi (1,8 m) de la fiche du cordon électrique se trouvant à l'arrière de la sècheuse. Consulter les « Spécifications électriques ».
- Un plancher de niveau ayant une pente maximale de 1 po (25 mm) sous l'ensemble de la sècheuse. L'installation de la sècheuse sur une surface molle, comme un tapis ou un plancher avec sous-couche en mousse, n'est pas recommandée.

Dégagement pour l'installation de la sècheuse à gaz

- L'emplacement doit être assez grand pour permettre d'ouvrir complètement la porte de la sècheuse.
- Prévoir davantage d'espace pour faciliter l'installation et l'entretien. La porte ouvre de plus de 180°.
- Un espace supplémentaire peut être requis pour les moulures de porte et de plancher et pour les plinthes.
- Un espace supplémentaire de 1 po (25 mm) de tous les côtés de la sècheuse est recommandé pour réduire le transfert du bruit.

Lors de l'installation d'une sècheuse à gaz :

IMPORTANT : Observer les dispositions de tous les codes et règlements en vigueur.

- Vérifier les exigences des codes : Certains codes limitent ou n'autorisent pas l'installation d'une sècheuse dans un garage, une armoire ou une chambre à coucher. Contacter l'inspecteur en bâtiments local.
- S'assurer que les rebords inférieurs de l'armoire, ainsi que l'arrière et le côté inférieur de la sècheuse, sont bien dégagés pour permettre une évacuation adéquate de l'air de combustion. Voir la section « Instructions d'installation dans un encastrement ou une armoire » ci-dessous pour connaître les distances de dégagement minimales.

Instructions d'installation dans un encastrement ou une armoire

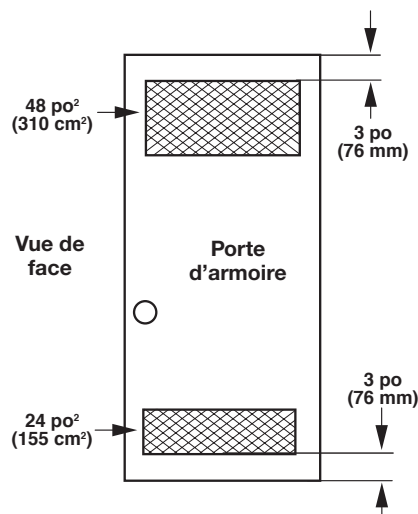
Cette sècheuse peut être installée dans un encastrement ou une armoire. Pour les installations dans un encastrement ou une armoire, les distances de dégagement minimales sont indiquées sur l'étiquette d'avertissement à l'arrière de la sècheuse ou à la section « Dimensions/distances de dégagement ».

Les dimensions d'installation sont en pouces et constituent le minimum applicable. Un espace supplémentaire peut être nécessaire pour faciliter l'installation, l'entretien et pour observer les codes et règlements locaux.

Si une porte d'armoire est installée, une ouverture d'évacuation de l'air minimale est nécessaire dans les parties supérieure et inférieure. Les portes à claire-voie offrant des ouvertures équivalentes sont acceptables.

La sècheuse doit évacuer à l'extérieur.

Aucun autre appareil consommant un combustible ne doit être installé dans la même armoire que la sècheuse.



Spécifications électriques – Sécheuse à gaz

⚠ AVERTISSEMENT



Risque de choc électrique

Brancher sur une prise à 3 alvéoles reliée à la terre.

Ne pas enlever la broche de liaison à la terre.

Ne pas utiliser un adaptateur.

Ne pas utiliser un câble de rallonge.

Le non-respect de ces instructions peut causer un décès, un incendie ou un choc électrique.

IMPORTANT : La sécheuse doit être correctement reliée à la terre en conformité avec les codes et règlements locaux en vigueur, ou en l'absence de tels codes, avec le National Electrical Code, ANSI/NFPA 70 – dernière édition, ou le Code canadien des installations électriques, CSA C22.1. Si on utilise un conducteur distinct de liaison à la terre lorsque les codes le permettent, il est recommandé qu'un électricien qualifié vérifie que la liaison à la terre est adéquate.

Pour obtenir un exemplaire des normes des codes ci-dessus, contacter :

National Fire Protection Association
One Batterymarch Park, Quincy, MA 02269

CSA International
8501 East Pleasant Valley Road
Cleveland, Ohio 44131-5575

- Ne pas utiliser une tuyauterie de gaz pour le raccordement à la terre.
- Ne pas installer un fusible dans le conducteur neutre ou le circuit de liaison à la terre.
- L'appareil doit être alimenté par un circuit de 120 V CA à 60 Hz seulement et protégé par fusible de 15 A ou 20 A. On recommande également d'utiliser un fusible ou un disjoncteur temporisé. Il est recommandé de raccorder l'appareil sur un circuit distinct exclusif à cet appareil.
- Cette sécheuse comporte un cordon d'alimentation électrique à trois broches pour liaison à la terre.
- Pour réduire le risque de décharge électrique, on doit brancher le cordon sur une prise de courant de configuration correspondante, à 3 alvéoles, reliée à la terre et installée conformément aux codes et règlements locaux. Si une prise de courant de configuration correspondante n'est pas accessible, le client a la responsabilité et l'obligation de faire installer par un électricien qualifié une prise de courant correctement reliée à la terre.
- Si les codes le permettent et si l'on utilise un conducteur distinct de liaison à la terre, il est recommandé qu'un électricien qualifié vérifie la qualité de la liaison à la terre.
- En cas de doute quant à la qualité de la liaison à la terre de la sécheuse, consulter un électricien qualifié.

Mise à la terre de la sécheuse à gaz

INSTRUCTIONS DE LIAISON À LA TERRE

- Pour une sécheuse reliée à la terre et connectée par un cordon :

Cette sécheuse doit être reliée à la terre. En cas de mauvais fonctionnement ou de panne, la liaison à la terre réduira le risque de choc électrique en offrant au courant électrique un acheminement d'évacuation de moindre résistance. Cette sécheuse est alimentée par un cordon électrique comportant un conducteur relié à la terre et une fiche de branchement munie d'une broche de liaison à la terre. La fiche doit être branchée sur une prise appropriée qui est bien installée et reliée à la terre conformément à tous les codes et règlements locaux.

AVERTISSEMENT : Le raccordement incorrect de cet appareil au conducteur de liaison à la terre peut susciter un risque de choc électrique. En cas de doute quant à la qualité de liaison à la terre de la sécheuse, consulter un électricien ou un technicien ou un personnel qualifié. Ne pas modifier la fiche de branchement fournie avec la sécheuse; si la fiche ne correspond pas à la configuration de la prise de courant, demander à un électricien qualifié d'installer une prise de courant appropriée.

CONSERVEZ CES INSTRUCTIONS

EXIGENCES D'INSTALLATION

Alimentation en gaz

⚠ AVERTISSEMENT



Risque d'explosion

Utiliser une canalisation neuve d'arrivée de gaz approuvée par CSA International.

Installer un robinet d'arrêt.

Bien serrer chaque organe de connexion de la canalisation de gaz.

En cas de connexion au gaz propane, demander à une personne qualifiée de s'assurer que la pression de gaz ne dépasse pas 330 mm (13 po) de la colonne d'eau.

Par personne qualifiée, on comprend :

**le personnel autorisé de chauffage,
le personnel autorisé d'une compagnie de gaz, et
le personnel d'entretien autorisé.**

Le non-respect de ces instructions peut causer un décès, un explosion ou un incendie.

Lorsque l'appareil est installé à une altitude supérieure à 10 000 pi (3 048 m), on doit réduire de 4 % le débit thermique du brûleur indiqué sur la plaque signalétique pour chaque tranche de 1 000 pi (305 m) d'augmentation de l'altitude. Pour obtenir de l'aide lors de la conversion à d'autres types de gaz ou l'installation de l'appareil à une altitude supérieure à 10 000 pi (3048 m), contacter la société de dépannage la plus proche.

La pression de la canalisation de gaz requise pour le fonctionnement de cette sècheuse doit être de 5,2 po de colonne d'eau (1,30 kPa) au minimum et de 10,5 po de colonne d'eau (2,62 kPa) au maximum.

IMPORTANT : Observer les dispositions de tous les codes et règlements en vigueur.

Cette installation doit être effectuée conformément avec les codes et règlements locaux. En l'absence de code local, l'installation doit satisfaire aux prescriptions de la norme American National Standard, National Fuel Gas Code ANSI Z223.1/NFPA 54 ou CAN/CSA B149.

Pour obtenir un exemplaire des normes des codes ci-dessus, contacter :

National Fire Protection Association
One Batterymarch Park, Quincy, MA 02269

CSA International
8501 East Pleasant Valley Road
Cleveland, Ohio 44131-5575

La conception de cette sècheuse a été homologuée par CSA International pour une utilisation jusqu'à une altitude de 10 000 pi (3 048 m) au-dessus du niveau de la mer pour le débit thermique indiqué sur la plaque signalétique. Aucun réglage du brûleur n'est nécessaire lorsque la sècheuse est utilisée à une altitude inférieure à cette valeur maximale.

EXIGENCES D'INSTALLATION

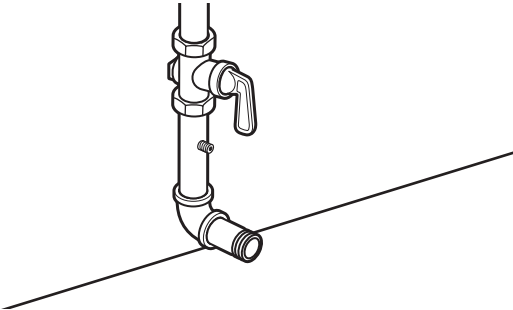
Type de gaz

Cette sècheuse est équipée pour une alimentation au gaz naturel. Sa conception est homologuée par CSA International pour l'alimentation au gaz propane ou butane avec conversion appropriée. Ne pas entreprendre de convertir la sècheuse pour une utilisation avec un gaz différent de celui indiqué sur la plaque signalétique sans d'abord consulter le fournisseur de gaz. L'opération de conversion doit être exécutée par un technicien de réparation qualifié.

Canalisation d'alimentation en gaz

Méthode recommandée

Installer une canalisation de gaz rigide de 1/2 po (13 mm) jusqu'à l'emplacement d'installation de la sècheuse. On doit utiliser un composé d'étanchéité des tuyauteries résistant à l'action du gaz propane. Ne pas utiliser de ruban TEFLON[†]. Pour l'alimentation au propane, le diamètre des canalisations ou tuyaux doit être de 1/2 po (13 mm) minimum. En général, le fournisseur de gaz propane détermine les matériaux à utiliser et le diamètre approprié.



Essai de pression de la canalisation de gaz

Un piquage bouché de 1/8 po NPT minimum, accessible pour le contrôle de pression, doit être installé immédiatement en aval du robinet d'arrêt installé pour la sècheuse (comme illustré ci-dessous). Lors de toute épreuve de pressurisation du système à une pression supérieure à 1/2 lb/po² (352 kg/m²), on doit déconnecter la sècheuse de la tuyauterie de l'alimentation en gaz. Lors de tout test de pressurisation de la canalisation de gaz à une pression égale ou inférieure à 1/2 lb/po² (3,5 kPa), on doit isoler la sècheuse de la canalisation de gaz par fermeture de son robinet d'arrêt.

Pression attendue de l'entrée de gaz

	Pouces d'eau minimum	Pouces d'eau maximum
Gaz naturel	5,2	10,5
Gaz propane	8,0	13,0

Méthode alternative

L'alimentation en gaz peut aussi être raccordée à l'aide d'un conduit en cuivre ou en aluminium homologué de 3/8 po (10 mm). Si la longueur totale de la canalisation d'alimentation est supérieure à 20 pi (6,1 m), utiliser un conduit de taille supérieure.

Pour le gaz naturel, ne pas utiliser de conduits en cuivre. On doit utiliser un composé d'étanchéité des tuyauteries résistant à l'action du gaz d'alimentation.

Robinet d'arrêt nécessaire

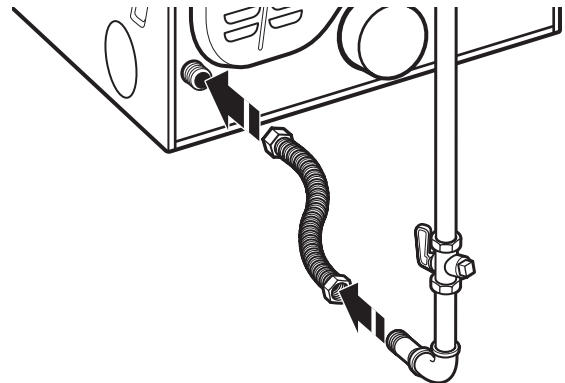
La canalisation d'alimentation doit comporter un robinet d'arrêt individuel manuel installé à 6 pi (1,8 m) maximum de la sècheuse conformément au National Fuel Gas Code, ANSI Z223.1. Le robinet doit se trouver dans la même pièce que la sècheuse.

Trousse de conversion de gaz (numéro de pièce W10402145). Ce numéro est aussi présent sur l'étiquette de la base du brûleur.

Il doit se trouver en un endroit facilement accessible pour les manœuvres d'ouverture/fermeture. Ne pas entraver l'accès au robinet d'arrêt manuel. Au Canada, un robinet d'arrêt individuel doit être installé conformément aux codes d'installation B149.1 CAN/CGA B149.1 et CAN/CGA B149.2.

Raccord métallique flexible pour appareil ménager

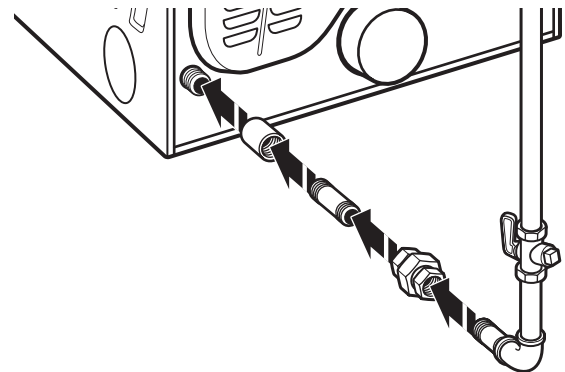
Il est recommandé d'utiliser une canalisation en acier inoxydable souple neuve, conception homologuée par CSA International, pour raccorder la sècheuse à la conduite d'alimentation en gaz. (La canalisation d'arrivée de gaz sortant à l'arrière de la sècheuse est dotée d'un filetage mâle de 3/8 po.)



REMARQUE : Ne pas déformer/endommager la canalisation en acier inoxydable flexible lors du déplacement de la sècheuse.

Raccordement par conduit rigide

On doit utiliser une combinaison de raccords pour réaliser un raccordement aligné entre la sècheuse et la canalisation de gaz.



[†] TEFLON est une marque déposée de Chemours.

EXIGENCES D'INSTALLATION

Exigences d'installation de la sècheuse électrique

Exigences d'emplacement

AVERTISSEMENT



Risque d'explosion

Garder les matières et les vapeurs inflammables, telle que l'essence, loin de la sècheuse.

Ne pas installer dans un garage.

Le non-respect de ces instructions peut causer un décès, une explosion ou un incendie.

IMPORTANT : Ne pas installer ou remiser la sècheuse dans un endroit où elle sera exposée à l'eau ou aux intempéries. C'est à l'utilisateur qu'incombe la responsabilité de réaliser une installation correcte.

Il faut :

- Une prise électrique reliée à la terre située à moins de 6 pi (1,8 m) de la fiche du cordon électrique se trouvant à l'arrière de la sècheuse. Consulter les « Spécifications électriques ».
- Un plancher de niveau ayant une pente maximale de 1 po (25 mm) sous l'ensemble de la sècheuse. L'installation de la sècheuse sur une surface molle, comme un tapis ou un plancher avec sous-couche en mousse, n'est pas recommandée.

Exigences d'installation de la sècheuse électrique

- L'emplacement doit être assez grand pour permettre d'ouvrir complètement la porte de la sècheuse.
- Prévoir davantage d'espace pour faciliter l'installation et l'entretien. La porte ouvre de plus de 180°.
- Un espace supplémentaire peut être requis pour les moulures de porte et de plancher et pour les plinthes.
- Un espace supplémentaire de 1 po (25 mm) de tous les côtés de la sècheuse est recommandé pour réduire le transfert du bruit.

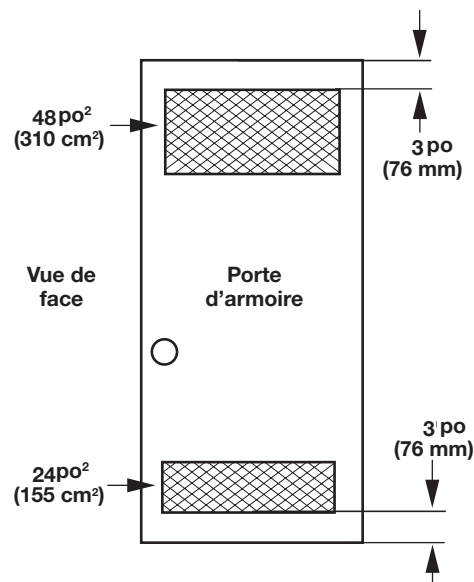
Instructions d'installation dans un encastrement ou une armoire

Cette sècheuse peut être installée dans un encastrement ou une armoire. Pour les installations dans un encastrement ou une armoire, les distances de dégagement minimales sont indiquées sur l'étiquette d'avertissement à l'arrière de la sècheuse ou à la section « Dimensions/distances de dégagement ».

Les dimensions d'installation sont en pouces et constituent le minimum applicable. Un espace supplémentaire peut être nécessaire pour faciliter l'installation, l'entretien et pour observer les codes et règlements locaux.

Si une porte d'armoire est installée, une ouverture d'évacuation de l'air minimale est nécessaire dans les parties supérieure et inférieure. Les portes à claire-voie offrant des ouvertures équivalentes sont acceptables.

La sècheuse doit évacuer à l'extérieur.



Spécifications électriques – États-Unis seulement

C'est à l'utilisateur qu'incombe la responsabilité de :

- Contacter un électricien qualifié.
- S'assurer que le raccordement électrique est adéquat et conforme au code national de l'électricité, ANSI/NFPA 70 – plus récente édition, et à tous les codes et règlements locaux en vigueur.
- Le National Electrical Code impose un raccordement à 4 fils de l'alimentation électrique pour les maisons construites après 1996, les circuits de sècheuse modifiés après 1996 et toutes les installations de maisons mobiles.
- Pour obtenir un exemplaire des normes des codes ci-dessus, contacter : National Fire Protection Association, One Batterymarch Park, Quincy, MA 02269.
- L'appareil doit être alimenté uniquement par un circuit monophasé à 3 ou 4 fils de 120 V/240 V CA, 60 Hz (ou 3 ou 4 fils, 120 V/208 V, si précisé sur la plaque signalétique) sur un circuit séparé et protégé par un fusible ou un disjoncteur de 30 A sur chacun des 2 câbles. On recommande d'utiliser un fusible ou un disjoncteur temporisé. On recommande également que cet appareil soit alimenté par un circuit indépendant. Ne pas avoir de fusible dans le circuit neutre ou de liaison à la terre.
- Ne pas utiliser de rallonge.
- Si les codes le permettent et si l'on utilise un conducteur distinct de liaison à la terre, il est recommandé qu'un électricien qualifié vérifie la qualité de la liaison à la terre.

Spécifications électriques – États-Unis seulement (suite)

Raccordement électrique

Pour installer la sècheuse de façon appropriée, il faut établir le type de raccords électriques que l'on utilisera et suivre les instructions de ce document.

- Cette sècheuse est prête à l'installation avec un raccordement à l'alimentation électrique à 3 fils. Le fil de terre neutre est définitivement raccordé au conducteur neutre (fil blanc) à l'intérieur de la sècheuse. Si la sècheuse est installée avec un raccordement à 4 fils à l'alimentation électrique, le fil de terre neutre doit être retiré de la vis du connecteur de terre externe (vis verte) et fixé sous la borne du neutre (fil du centre ou blanc) du bornier. Lorsque le fil de terre neutre est fixé sous la borne du neutre (fil du centre ou blanc) du bornier, la caisse de la sècheuse est isolée du conducteur neutre.
- Si les codes locaux n'autorisent pas le raccordement d'un conducteur de liaison à la terre au fil neutre, voir « Raccordement optionnel à 3 fils ».
- Un raccordement à 4 fils de l'alimentation électrique doit être utilisé lorsque l'appareil est installé dans un lieu où la mise à la terre par le conducteur neutre est interdite. Il est interdit de relier l'appareil à la terre par l'intermédiaire du conducteur neutre dans les cas suivants : (1) nouvelle installation de circuit de dérivation, et (2) juridictions dans lesquelles le code local interdit la liaison à la terre par l'intermédiaire du conducteur neutre.

Mise à la terre de la sècheuse électrique

INSTRUCTIONS DE LIAISON À LA TERRE

- Pour une sècheuse reliée à la terre et connectée par un cordon :

Cette sècheuse doit être reliée à la terre. En cas de mauvais fonctionnement ou de panne, la liaison à la terre réduira le risque de choc électrique en offrant au courant électrique un acheminement d'évacuation de moindre résistance. Cette sècheuse est alimentée par un cordon électrique comportant un conducteur relié à la terre et une fiche de branchement munie d'une broche de liaison à la terre. La fiche doit être branchée sur une prise appropriée qui est bien installée et reliée à la terre conformément à tous les codes et règlements locaux.

AVERTISSEMENT : Le raccordement incorrect de cet appareil au conducteur de liaison à la terre peut susciter un risque de choc électrique. En cas de doute quant à la qualité de liaison à la terre de la sècheuse, consulter un électricien ou un technicien ou un personnel qualifié. Ne pas modifier la fiche de branchement fournie avec la sècheuse; si la fiche ne correspond pas à la configuration de la prise de courant, demander à un électricien qualifié d'installer une prise de courant appropriée.

CONSERVEZ CES INSTRUCTIONS

Cordon d'alimentation de la sècheuse

AVERTISSEMENT



Risque d'incendie

Utiliser un cordon d'alimentation électrique neuf homologué UL de 30 ampères.

Utiliser un réducteur de tension homologué UL.

Déconnecter la source de courant électrique avant de réaliser les connexions électriques.

Connecter le conducteur neutre (blanc ou conducteur central) à la borne centrale.

Le conducteur de liaison à la terre (vert ou nu) doit être relié au connecteur vert de liaison à la terre.

Connecter les 2 conducteurs d'alimentation restants aux 2 bornes (or) restantes.

Bien serrer chaque organe de connexion du branchement électrique.

Le non-respect de cette instruction peut causer un décès, un incendie ou un choc électrique.

En cas d'utilisation d'un cordon d'alimentation :

Utiliser un ensemble de cordon d'alimentation électrique homologué UL marqué pour utilisation avec les sècheuses à vêtements. L'ensemble doit contenir :

- Un cordon d'alimentation électrique homologué UL de 30 A, 120 V/240 V minimum. Le cordon doit être de type SRD ou SRDT et mesurer au moins 4 pi (1,22 m) de long. Les fils raccordés à la sècheuse doivent se terminer par des cosses rondes ou des cosses en « U » à fourche, à pointes relevées.
- Un serre-câbles homologué UL.

Si la prise murale ressemble à ceci :



Prise murale à 4 conducteurs (14R-30R)

Choisir un câble d'alimentation à 4 fils avec cosses rondes ou à fourche et un serre-câbles homologué UL. Le cordon d'alimentation électrique à 4 fils, d'au moins 4 pi (1,22 m) de long, doit avoir 4 fils en cuivre torsadés de calibre no 10 et une fiche à 4 fils correspondante de type NEMA 14R-30R. Le fil de liaison à la terre (le conducteur de liaison à la terre) peut être vert ou nu. Le conducteur neutre doit être identifié par une gaine blanche.

Si la prise murale ressemble à ceci :



Prise murale à 3 conducteurs (10R-30R)

Choisir un câble d'alimentation à 3 fils avec cosses rondes ou à fourche et un serre-câbles homologué UL. Le cordon d'alimentation électrique à 3 fils, d'au moins 4 pi (1,22 m) de long, doit comporter trois fils en cuivre torsadés de calibre no 10 et une fiche à 3 fils correspondante de type NEMA 10R-30R.

EXIGENCES D'INSTALLATION

Raccordement direct

AVERTISSEMENT



Risque d'incendie

Utiliser du fil en cuivre de calibre 10.

Utiliser un réducteur de tension homologué UL.

Déconnecter la source de courant électrique avant de réaliser les connexions électriques.

Connecter le conducteur neutre (blanc ou conducteur central) à la borne centrale.

Le conducteur de liaison à la terre (vert ou nu) doit être relié au connecteur vert de liaison à la terre.

Connecter les 2 conducteurs d'alimentation restants aux 2 bornes (or) restantes.

Bien serrer chaque organe de connexion du branchement électrique.

Le non-respect de cette instruction peut causer un décès, un incendie ou un choc électrique.

Pour le raccordement direct :

Le câble d'alimentation doit correspondre à l'alimentation électrique (4 fils ou 3 fils) et être :

- Un câble en cuivre à gaine non métallique ou blindé souple (avec fil de liaison à la terre), avec conduit métallique souple. Tous les fils sous tension doivent être isolés.
- Fil en cuivre plein de calibre 10 (ne pas utiliser d'aluminium).
- D'au moins 5 pi (1,52 m) de long.

Spécifications électriques – Canada seulement

AVERTISSEMENT



Risque de choc électrique

Brancher sur une prise à 4 alvéoles reliée à la terre.

Le non-respect de cette instruction peut causer un décès ou un choc électrique.

Pour obtenir plus de renseignements, veuillez vous référer aux numéros de service indiqué à la section « Assistance ou entretien ».

INSTRUCTIONS DE LIAISON À LA TERRE

- Pour une sècheuse reliée à la terre et connectée par un cordon :

Cette sècheuse doit être reliée à la terre. En cas de mauvais fonctionnement ou de panne, la liaison à la terre réduira le risque de choc électrique en offrant au courant électrique un acheminement d'évacuation de moindre résistance. Cette sècheuse est alimentée par un cordon électrique comportant un conducteur relié à la terre et une fiche de branchement munie d'une broche de liaison à la terre. La fiche doit être branchée sur une prise appropriée qui est bien installée et reliée à la terre conformément à tous les codes et règlements locaux.

AVERTISSEMENT : Le raccordement incorrect de cet appareil au conducteur de liaison à la terre peut susciter un risque de choc électrique. En cas de doute quant à la qualité de liaison à la terre de la sècheuse, consulter un électricien ou un technicien ou un personnel qualifié. Ne pas modifier la fiche de branchement fournie avec la sècheuse; si la fiche ne correspond pas à la configuration de la prise de courant, demander à un électricien qualifié d'installer une prise de courant appropriée.

CONSERVEZ CES INSTRUCTIONS

C'est à l'utilisateur qu'incombe la responsabilité de :

- Contacter un électricien qualifié.
- S'assurer que le raccordement électrique est adéquat et conforme à la dernière édition du Canadian Electrical Code, C22.1, et à tous les codes et règlements locaux en vigueur. Pour obtenir un exemplaire des normes des codes ci-dessus, contacter : Canadian Standards Association, 178 Rexdale Blvd., Toronto, ON M9W 1R3 CANADA.
- L'appareil doit être alimenté uniquement par un circuit monophasé à 4 fils de 120 V/240 V CA, 60 Hz sur un circuit séparé et protégé par un fusible ou un disjoncteur de 30 A sur chacun des 2 câbles. On recommande d'utiliser un fusible ou un disjoncteur temporisé. On recommande également que cet appareil soit alimenté par un circuit indépendant.
- Cette sècheuse est équipée d'un cordon électrique homologué par la CSA International à introduire dans une prise murale standard 14R-30R. Le cordon mesure 5 pi (1,52 m). Veiller à ce que la prise murale se trouve à proximité de l'emplacement définitif de la sècheuse.
- Ne pas utiliser de câble de rallonge. Si un cordon de rechange est utilisé, il est recommandé d'utiliser le cordon d'alimentation de rechange – numéro de pièce 8579325.



Prise murale à 4 conducteurs (14R-30R)

INSTALLATION DES PIEDS DE NIVELLEMENT, DE LA GLISSIÈRE À MONNAIE ET DE LA CAISSE À MONNAIE

Le mécanisme de glissière, le verrou et la clé du panneau de commande et le verrou et la clé de la boîte à monnaie ne sont pas inclus mais sont disponibles auprès des fournisseurs industriels courants. Pour ce modèle, on doit utiliser un dispositif spécial d'extension de glissière que l'on peut acheter auprès d'un distributeur de glissières.

⚠ AVERTISSEMENT

Risque du poids excessif

Utiliser deux ou plus de personnes pour déplacer et installer la sècheuse.

Le non-respect de cette instruction peut causer une blessure au dos ou d'autre blessure.

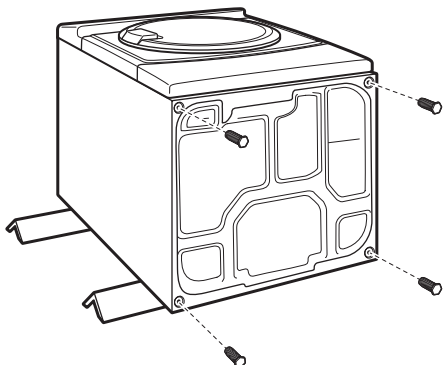
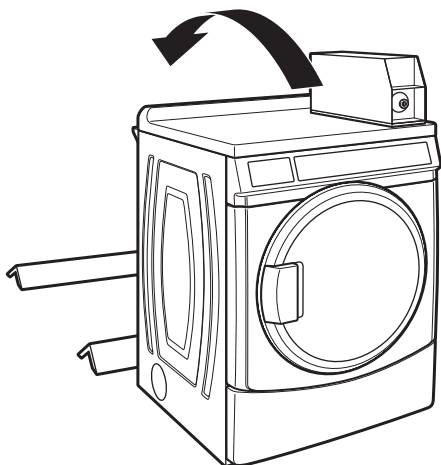
1. Préparation de la sècheuse pour les pieds de nivellement

REMARQUE : Faire glisser la sècheuse sur le carton ou le panneau dur avant de la déplacer pour éviter d'endommager la surface du plancher.

À l'aide d'au moins deux personnes, déplacer la sècheuse à l'emplacement d'installation souhaité.

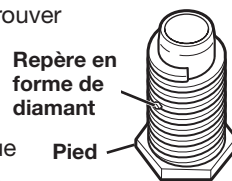
Retirer le ruban des coins avant de la sècheuse. Ouvrir la sècheuse et ôter les sachets de pièces et le document de référence. Essuyer l'intérieur du tambour avec un chiffon humide pour éliminer toute trace de poussière.

Utiliser deux coins en carton de la boîte d'emballage de la sècheuse et les placer sur le plancher, à l'arrière de la sècheuse. Saisir fermement le corps de la sècheuse et l'allonger doucement sur sa partie postérieure sur les coins de carton.



2. Vissage des pieds de nivellement

Examiner les pieds de nivellement pour trouver le repère en forme de diamant. Introduire manuellement les pieds dans les trous des pieds. Utiliser une clé à molette ou une clé de 1 po (25 mm) pour faire tourner les pieds jusqu'à ce que la marque de repérage (losange) ne soit plus visible. Placer ensuite un patin sur chaque pied. Pour les planchers dont l'inclinaison est plus grande, un pied de nivellement plus long est offert (numéro de pièce 279810).

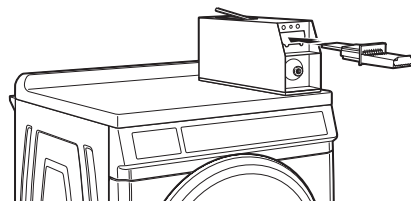


Pour protéger le plancher, utiliser un grand morceau de carton provenant de l'emballage de la sècheuse. Redresser la sècheuse sur le morceau de carton. Faire glisser la sècheuse jusqu'à ce qu'elle se trouve à proximité de son emplacement final. Laisser suffisamment d'espace pour pouvoir réaliser le raccordement électrique et du conduit d'évacuation.

Sur certains modèles : Le boîtier du compteur abrite le mécanisme de glissière à pièces, le verrou et la clé d'entretien, ainsi que le verrou et la clé de la boîte à monnaie.

3. Installation de la glissière et de la boîte à monnaie

Enlever la porte d'entretien du compteur en la soulevant par l'arrière. Installer le dispositif de réception de la monnaie. (Consulter les instructions du fabricant concernant l'installation.)



Réinstaller la porte d'entretien du compteur. Installer la chambre à pièces avec son verrou et sa clé dans l'ouverture du boîtier du compteur.

Retirer le carton ou le panneau dur situé sous la sècheuse. Ajuster les pieds de la sècheuse jusqu'à ce qu'elle soit d'aplomb.

MISE À NIVEAU

Niveler votre sècheuse pour réduire de façon adéquate le niveau sonore et les vibrations excessifs.

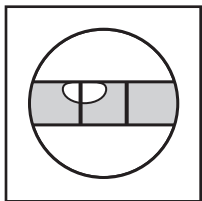
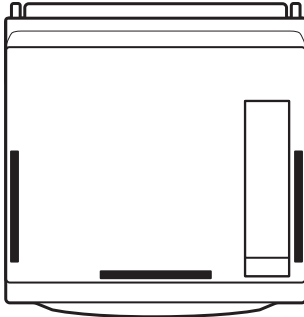
⚠ AVERTISSEMENT

Risque du poids excessif

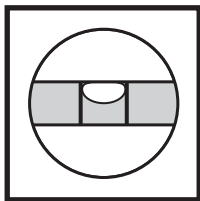
Utiliser deux ou plus de personnes pour déplacer et installer la sècheuse.

Le non-respect de cette instruction peut causer une blessure au dos ou d'autre blessure.

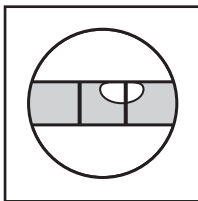
1. Enlever le morceau de carton placé sous la sècheuse. Placer un niveau sur les bords supérieurs de la sècheuse en vérifiant chaque côté et l'avant. Si elle n'est pas d'aplomb, faire basculer la sècheuse et régler les pieds vers le haut ou vers le bas puis recommencer si nécessaire.



Pas d'aplomb

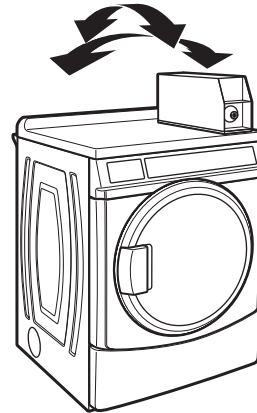


D'APLOMB



Pas d'aplomb

2. Saisir la sècheuse par le dessus et la faire basculer d'avant en arrière tout en s'assurant que les quatre pieds sont en contact ferme avec le sol. Faire de nouveau basculer la sècheuse transversalement. Si la sècheuse bascule, ajuster les pieds de nivellement.



3. Si la sècheuse n'est pas d'aplomb, tourner les pieds de nivellement dans le sens antihoraire pour abaisser la sècheuse ou dans le sens horaire pour la soulever. Vérifier de nouveau l'aplomb de la sècheuse et s'assurer que les quatre pieds touchent fermement le sol. Répéter si nécessaire.

CONSEIL UTILE : Il serait judicieux de soulever l'avant de la sècheuse d'environ 4 po (102 mm) à l'aide d'un bloc de bois ou un objet semblable qui pourra soutenir le poids de l'appareil.

INSTRUCTIONS D'INSTALLATION – SÈCHEUSE À GAZ

Raccordement au gaz

⚠ AVERTISSEMENT



Risque d'explosion

Utiliser une canalisation neuve d'arrivée de gaz approuvée par CSA International.

Installer un robinet d'arrêt.

Bien serrer chaque organe de connexion de la canalisation de gaz.

En cas de connexion au gaz propane, demander à une personne qualifiée de s'assurer que la pression de gaz ne dépasse pas 330 mm (13 po) de la colonne d'eau.

Par personne qualifiée, on comprend :

le personnel autorisé de chauffage,
le personnel autorisé d'une compagnie de gaz, et
le personnel d'entretien autorisé.

Le non-respect de ces instructions peut causer un décès, un explosion ou un incendie.

1. Retirer le capuchon rouge de la canalisation de gaz à l'arrière de la sècheuse.
2. Raccorder l'alimentation en gaz à la sècheuse. Utiliser un composé d'étanchéité de tuyauterie approuvé pour le type de gaz utilisé. Si on utilise un conduit métallique souple, veiller à ce qu'il ne soit pas pincé.

Si nécessaire pour une intervention d'entretien ou de réparation, ouvrir la plinthe en ôtant les 2 vis de 1/4 po à tête hexagonale du fond du panneau. Soulever ensuite le panneau tout en tirant le fond du panneau hors de la sècheuse.
3. Ouvrir le robinet d'arrêt de la canalisation d'alimentation en gaz et s'assurer que l'entrée en gaz de la sècheuse est aussi ouverte.
4. Vérifier tous les raccords en les badigeonnant d'une solution de détection des fuites non corrosive approuvée. La formation de bulles indique la présence d'une fuite. Éliminer toute fuite détectée.

RACCORDEMENTS DE LA SÈCHEUSE ÉLECTRIQUE

Options de raccordement

Cordon d'alimentation

Prise à 4 conducteurs (Type NEMA 14R-30R)

Lire la section « Raccordement du câble d'alimentation ».



Prise à 3 conducteurs (Type NEMA 10-30R)

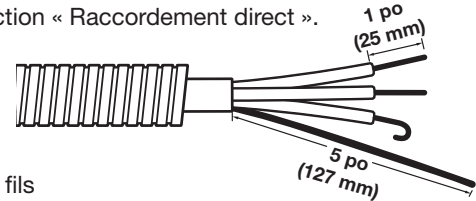
Lire la section « Raccordement du câble d'alimentation ».



Raccordement direct

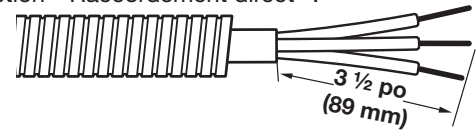
Direct – 4 fils

Lire la section « Raccordement direct ».



Direct – 3 fils

Lire la section « Raccordement direct ».



REMARQUE : Si les codes locaux n'autorisent pas le raccordement d'un conducteur de masse de la caisse au fil neutre, voir la section « Raccordement de la connexion à 3 fils : optionnel ». Ce raccordement peut servir pour un cordon d'alimentation ou une connexion directe des conducteurs.

Raccordement du cordon d'alimentation

⚠ AVERTISSEMENT



Risque d'incendie

Utiliser un cordon d'alimentation électrique neuf homologué UL de 30 ampères.

Utiliser un réducteur de tension homologué UL.

Déconnecter la source de courant électrique avant de réaliser les connexions électriques.

Connecter le conducteur neutre (blanc ou conducteur central) à la borne centrale.

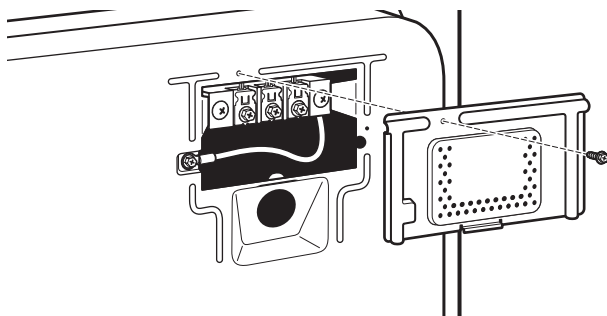
Le conducteur de liaison à la terre (vert ou nu) doit être relié au connecteur vert de liaison à la terre.

Connecter les 2 conducteurs d'alimentation restants aux 2 bornes (or) restantes.

Bien serrer chaque organe de connexion du branchement électrique.

Le non-respect de cette instruction peut causer un décès, un incendie ou un choc électrique.

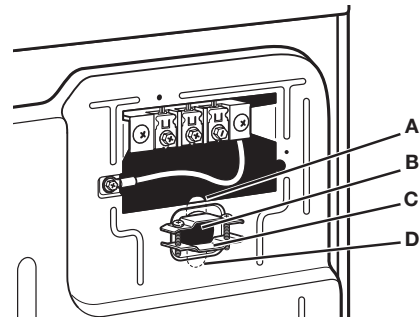
Retirer le couvercle du bornier



Retirer la vis de retenue et le couvercle du bornier.

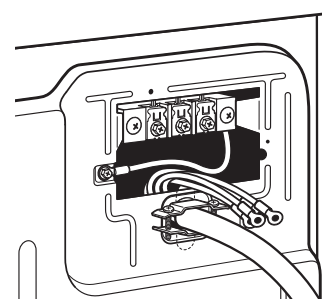
Serre-câbles du câble d'alimentation

1. Insérer le serre-câbles.



Retirer les vis d'un serre-câbles homologué UL de 3/4 po (19 mm) UL. Placer les ongles des deux moitiés de pince (C) dans le trou sous l'ouverture du bornier (B), de sorte qu'un d'entre eux pointe vers le haut (A) et l'autre vers le bas (D). Maintenir en place. Serrer les vis du serre-câbles juste assez pour maintenir ensemble les deux moitiés de pince (C).

2. Insérer le cordon d'alimentation dans le serre-câbles.



Passer le cordon d'alimentation à travers le serre-câbles. Vérifier que la gaine d'isolement du cordon d'alimentation rentre à l'intérieur du serre-câbles. Le serre-câbles doit être bien relié à la caisse de la sècheuse et se trouver en position horizontale. Ne pas visser davantage les vis du serre-câbles à ce stade.

RACCORDEMENTS DE LA SÈCHEUSE ÉLECTRIQUE

Raccordement de la connexion à 4 fils : cordon d'alimentation

IMPORTANT : Un raccordement à 4 fils est obligatoire pour les maisons mobiles et lorsque les codes locaux n'autorisent pas l'utilisation de raccordements à 3 fils.

Connecteurs standard pour cordon d'alimentation



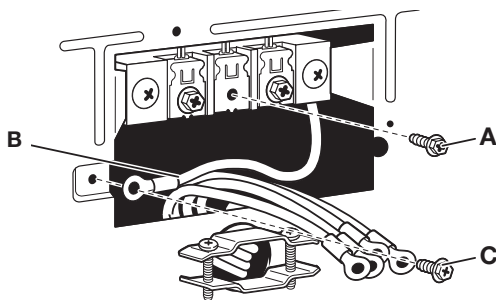
Connecteur à fourche et pointes relevées



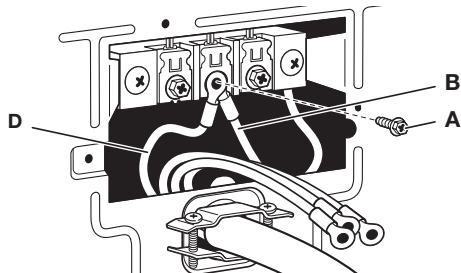
Connecteur rond

Raccordement du conducteur de mise à la terre et du conducteur neutre

1. Retirer la vis (A) de la borne centrale du bornier et le conducteur de terre neutre (B) en retirant la vis (C) du fil de terre externe.

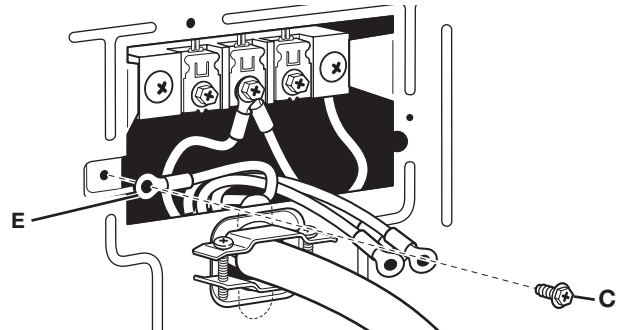


2. Connecter le conducteur de terre neutre (B) et le conducteur neutre (blanc ou central) (D) du cordon d'alimentation sous la vis du borne centrale du bornier (A). Serrer la vis.



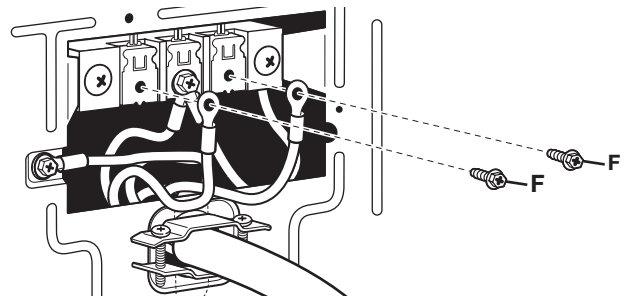
Connecter le conducteur de terre du cordon d'alimentation

3. Connecter le conducteur (vert ou nu) de liaison à la terre (E) du cordon d'alimentation électrique sous la vis du conducteur de liaison à la terre externe (C). Serrer la vis.



Connecter les conducteurs restants

4. Connecter les conducteurs restants au moyen des vis les plus à l'extérieur du bornier (F). Resserrer les vis. Finalement, remplacer le couvercle du bornier au panneau arrière de la sècheuse. Fixer le couvercle avec la vis de retenue. Ensuite, aller à la section « Exigences concernant l'évacuation ».



Raccordement de la connexion à 3 fils : cordon d'alimentation

Connecteurs standard pour cordon d'alimentation



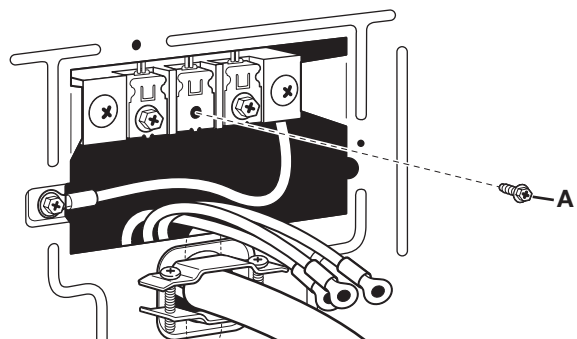
Connecteur à fourche et pointes relevées



Connecteur rond

Raccordement du conducteur neutre

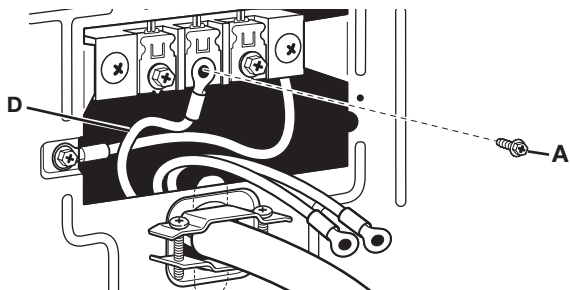
1. Desserrer ou retirer la vis de la borne centrale du bornier (A).



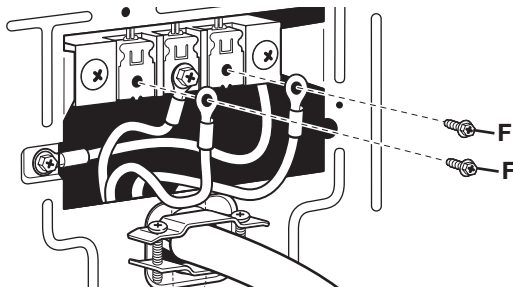
RACCORDEMENTS DE LA SÈCHEUSE ÉLECTRIQUE

Raccordement de la connexion à 3 fils : Cordon d'alimentation (suite)

2. Connecter le conducteur neutre (blanc ou central) (D) du cordon d'alimentation sous la vis de borne centrale du bornier (A). Serrer la vis.



3. Connecter les conducteurs restants sous les vis les plus à l'extérieur du bornier (F). Resserrer les vis. Finalement, remplacer le couvercle du bornier au panneau arrière de la sècheuse. Fixer le couvercle avec la vie de retenue. Ensuite, aller à la section « Exigences concernant l'évacuation ».



Méthode de raccordement direct

⚠ AVERTISSEMENT



Risque d'incendie

Utiliser du fil en cuivre de calibre 10.

Utiliser un réducteur de tension homologué UL.

Déconnecter la source de courant électrique avant de réaliser les connexions électriques.

Connecter le conducteur neutre (blanc ou conducteur central) à la borne centrale.

Le conducteur de liaison à la terre (vert ou nu) doit être relié au connecteur vert de liaison à la terre.

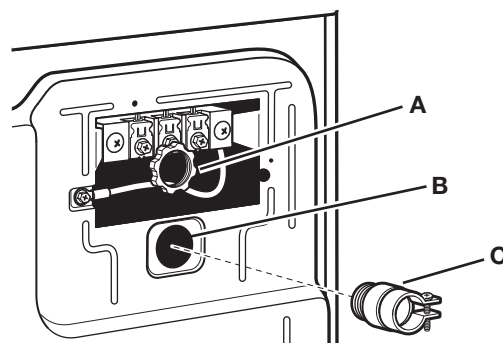
Connecter les 2 conducteurs d'alimentation restants aux 2 bornes (or) restantes.

Bien serrer chaque organe de connexion du branchement électrique.

Le non-respect de cette instruction peut causer un décès, un incendie ou un choc électrique.

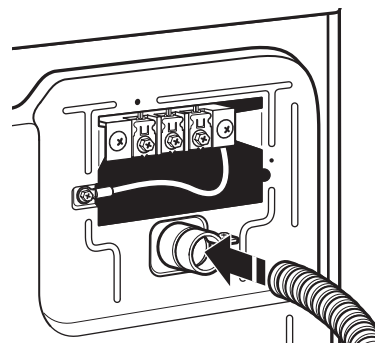
Serre-câbles pour raccordement direct

1. Insérer le serre-câbles.

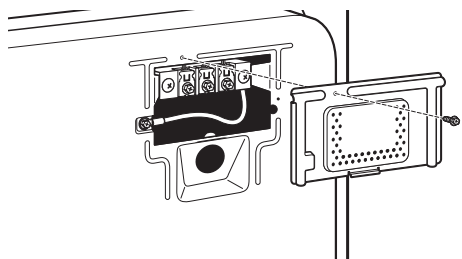


Dévisser le raccord de conduit amovible (A) et les vis d'un serre-câbles homologué UL de 3/4 po (19 mm). Visser la partie filetée du serre-câbles (C) dans le trou sous l'ouverture du bornier (B). En passant par l'ouverture du bornier, visser le connecteur de conduit amovible (A) sur le filetage du serre-câbles.

2. Insérer le conduit dans le serre-câbles et serrer la bride.



Retirer le couvercle du bornier



Retirer la vis de retenue et le couvercle du bornier.

Passer le câble à raccordement direct à travers le serre-câbles. Le serre-câbles doit être bien relié à la caisse de la sècheuse et se trouver en position horizontale. Serrer la vis du serre-câbles autour du câble à raccordement direct.

RACCORDEMENTS DE LA SÈCHEUSE ÉLECTRIQUE

Raccordement de la connexion à 4 fils : Câblage direct

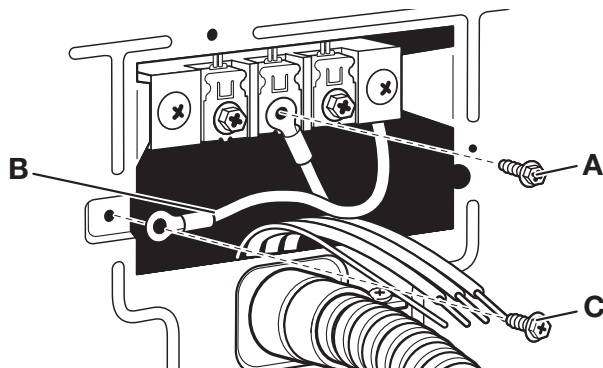
IMPORTANT : Un raccordement à 4 fils est obligatoire pour les maisons mobiles et lorsque les codes locaux n'autorisent pas l'utilisation de raccordements à 3 fils.

Le câble à raccordement direct doit avoir une longueur supplémentaire de 5 pi (1,52 m) pour pouvoir déplacer la sècheuse si nécessaire.

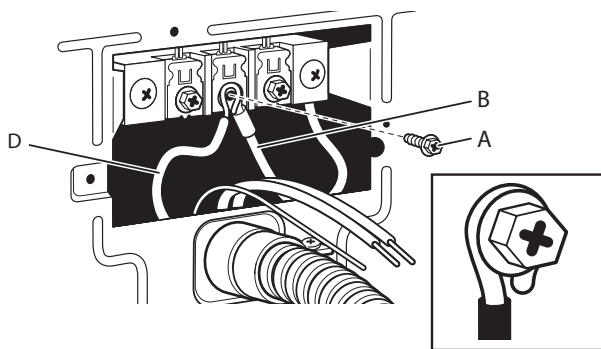
Dénuder une longueur de 5 po (127 mm) de gaine extérieure à l'extrémité du câble, en laissant le conducteur de mise à la terre nu à la longueur de 5 po (127 mm). Couper 1 ½ po (38 mm) des trois conducteurs restants. Dénuder les conducteurs sur une longueur de 1 po (25 mm). Former des crochets aux extrémités des conducteurs.

Raccordement du conducteur de terre neutre et du conducteur neutre

1. Retirer la vis (A) de la borne centrale du bornier et le conducteur de terre neutre (B) en retirant la vis (C) du connecteur de terre externe.

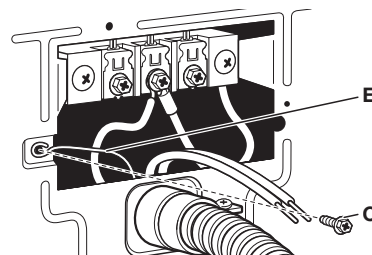


2. Connecter le conducteur de terre neutre (B) et placer l'extrémité en crochet (crochet orienté vers la droite) du conducteur neutre (blanc ou central) (D) du cordon d'alimentation sous la vis de borne centrale du bornier (A). Rapprocher les extrémités du crochet et serrer la vis.



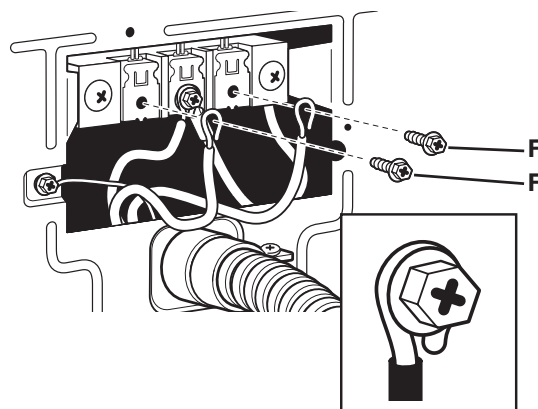
Raccordement direct du conducteur de terre

3. Connecter le conducteur (vert ou fil nu) de liaison à la terre (E) du cordon d'alimentation électrique direct sous la vis du conducteur de liaison à la terre externe (C). Serrer la vis.



Connecter les conducteurs restants

4. Connecter les conducteurs restants sous les vis les plus à l'extérieur du bornier (F). Rapprocher les extrémités du crochet et serrer les vis. Finalement, replacer le couvercle du bornier au panneau arrière de la sècheuse. Fixer le couvercle avec la vis de retenue. Ensuite, aller à la section « Exigences concernant l'évacuation ».



RACCORDEMENTS DE LA SÈCHEUSE ÉLECTRIQUE

Raccordement de la connexion à 3 fils : Câblage direct

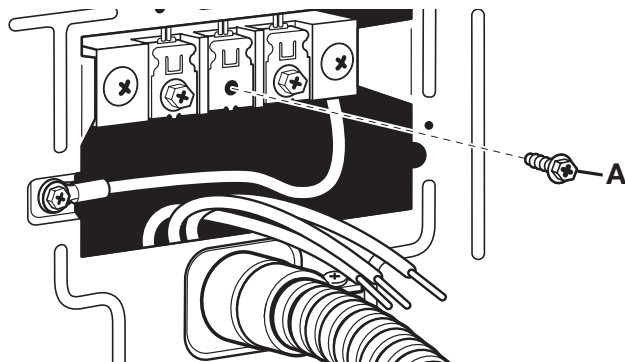
À utiliser lorsque les codes locaux autorisent la connexion du conducteur de masse de la caisse au conducteur neutre.

Le câble à raccordement direct doit avoir une longueur supplémentaire de 5 pi (1,52 m) pour pouvoir déplacer la sècheuse si nécessaire.

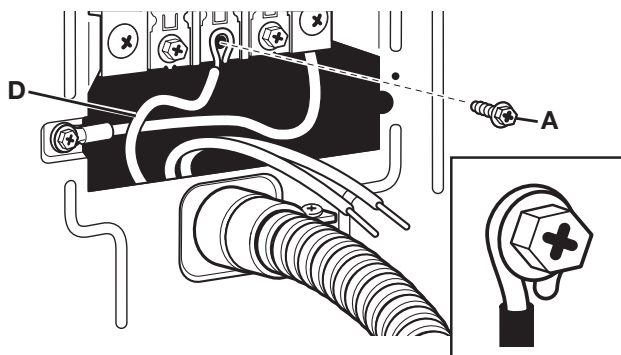
Dénuder une longueur de 3 1/2 po (89 mm) de gaine extérieure à l'extrémité du câble. Dénuder les conducteurs sur une longueur de 1 po (25 mm). En cas d'utilisation d'un câble à 3 fils avec conducteur de mise à la terre, couper le fil nu au même niveau que la gaine extérieure. Former des crochets aux extrémités des conducteurs.

Raccordement du conducteur neutre

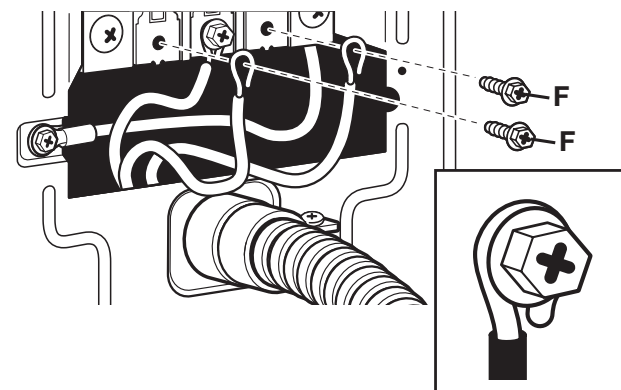
1. Desserrer ou retirer la vis de la borne centrale du bornier (A).



2. Placer l'extrémité en crochet du conducteur neutre (blanc ou central) (D) du cordon d'alimentation direct sous la vis de borne centrale du bornier (A), le crochet vers la droite. Rapprocher les extrémités du crochet et serrer la vis.



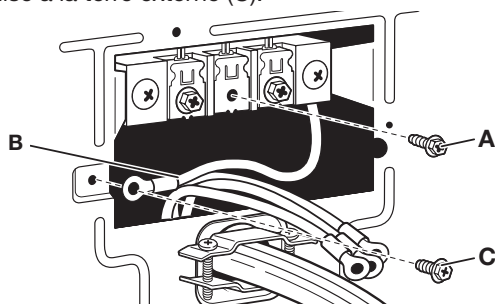
2. Placer l'extrémité en crochet du conducteur neutre (blanc ou central) (D) du cordon d'alimentation direct sous la vis de borne centrale du bornier (A), le crochet vers la droite. Rapprocher les extrémités du crochet et serrer la vis.



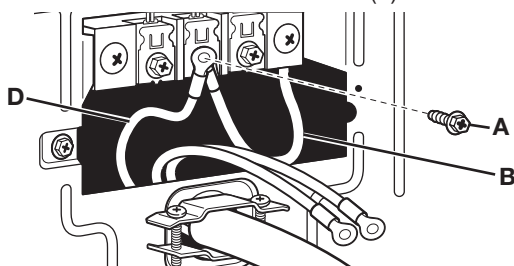
Raccordement de la connexion à 3 fils : en option

À utiliser pour le raccordement direct ou le cordon d'alimentation si les codes locaux ne permettent pas le raccordement du conducteur de terre de la caisse au neutre.

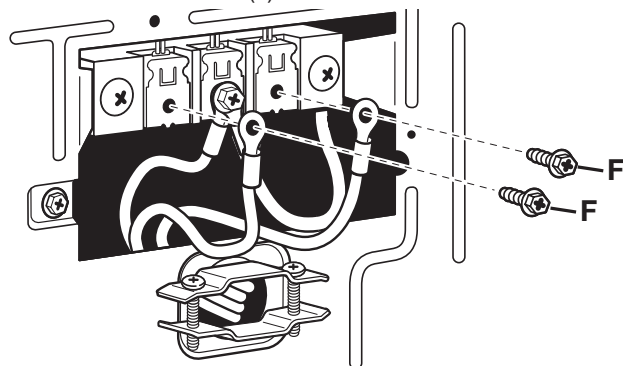
1. Retirer la vis de la borne centrale (A). Retirer également le conducteur de terre neutre (B) en retirant la vis du conducteur de mise à la terre externe (C).



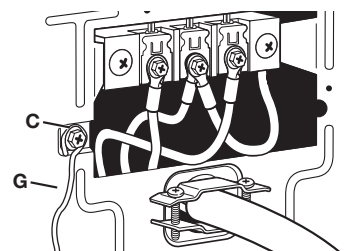
2. Connecter le conducteur de terre neutre (B) et le conducteur neutre (blanc ou central) (D) du cordon/câble d'alimentation sous la vis de borne centrale du bornier (A). Serrer la vis.



3. Connecter les conducteurs restants sous les vis les plus à l'extérieur du bornier (F). Resserrer les vis.



4. Raccorder un autre conducteur de terre en cuivre (G) sous la vis de conducteur de terre externe verte (C) pour mise à la terre adéquate. Finalement, replacer le bornier au panneau arrière de la sècheuse. Fixer le couvercle avec la vis de retenue. Ensuite, aller à la section « Exigences concernant l'évacuation ».



FIN DE L'INSTALLATION

1. Consulter les spécifications électriques. Vérifier que la tension électrique disponible est correcte et que la prise de courant est convenablement reliée à la terre. Consulter les « Spécifications électriques ».
2. Vérifier que toutes les pièces sont maintenant installées. S'il reste une pièce, passer en revue les différentes étapes.
3. Vérifier la présence de tous les outils.
4. Éliminer/recycler tous les matériaux d'emballage.

AVERTISSEMENT



Risque de choc électrique

Brancher sur une prise à 3 alvéoles reliée à la terre ou 4 alvéoles reliée à la terre.

Ne pas enlever la broche de liaison à la terre.

Ne pas utiliser un adaptateur.

Ne pas utiliser un câble de rallonge.

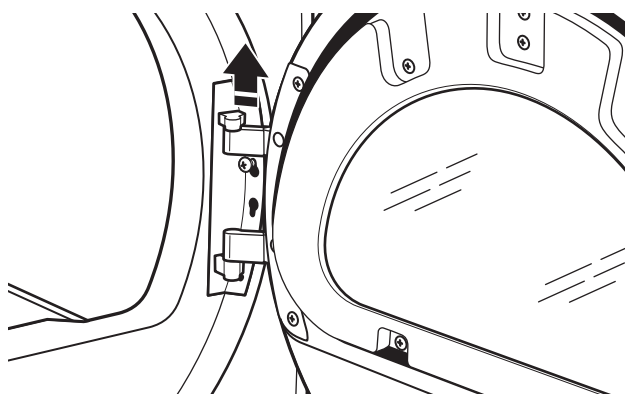
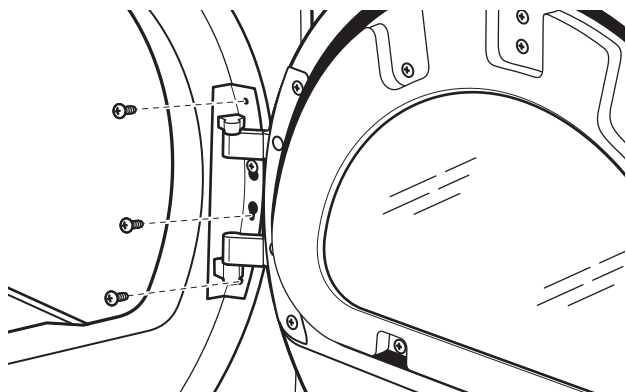
Le non-respect de ces instructions peut causer un décès, un incendie ou un choc électrique.

5. Brancher sur une prise reliée à la terre ou connecter la source de courant électrique.
6. Vérifier le bon fonctionnement de la sècheuse. Fermer la porte de la sècheuse. Insérer des pièces dans la glissière et appuyer sur cette dernière lentement. Sélectionner le programme Whites and Colors (blanc et couleurs) et laisser la sècheuse fonctionner pendant au moins cinq minutes.
REMARQUE : La porte de la sècheuse doit être fermée pour que celle-ci puisse fonctionner.
7. Ouvrir la porte de la sècheuse. Vérifier que l'intérieur de la sècheuse est chaud. Si le brûleur ne s'allume pas et qu'on ne ressent pas de chaleur à l'intérieur de la sècheuse, éteindre la sècheuse pendant cinq minutes. Vérifier que toutes les manettes des vannes d'alimentation sont en position ouverte « ON » et que le cordon électrique est branché.
8. Si le temps de séchage est trop long, s'assurer que le filtre à charpie est propre et qu'il n'y a pas d'obstruction dans le système d'évacuation de l'air.
9. Démarrer la sècheuse et la laisser terminer un programme complet pour s'assurer qu'elle fonctionne correctement.

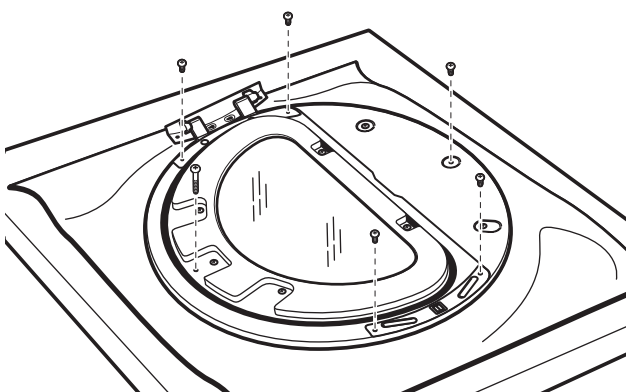
INVERSION DU SENS D'OUVERTURE DE LA PORTE DE LA SÉCHEUSE (OPTIONNEL)

Retrait de la porte

1. Placer une serviette ou un chiffon doux sur le dessus de la sècheuse ou du plan de travail pour éviter d'érafler la surface.
2. Enlever 3 des 4 vis qui maintiennent la charnière de la porte sur le panneau avant de la sècheuse. Desserrer partiellement la vis restante dans l'ouverture en forme de trou de serrure et soulever la porte pour la dégager de la vis.

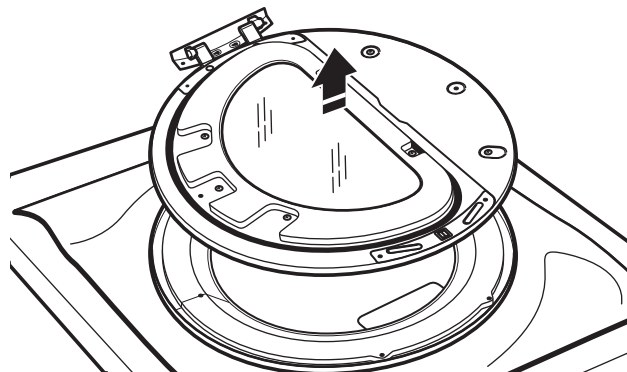


3. Poser la porte sur une surface plane préparée à l'avance en orientant l'intérieur (partie interne de la porte) vers le haut et retirer les 6 vis cruciformes pour séparer la partie externe de la porte de la partie interne.

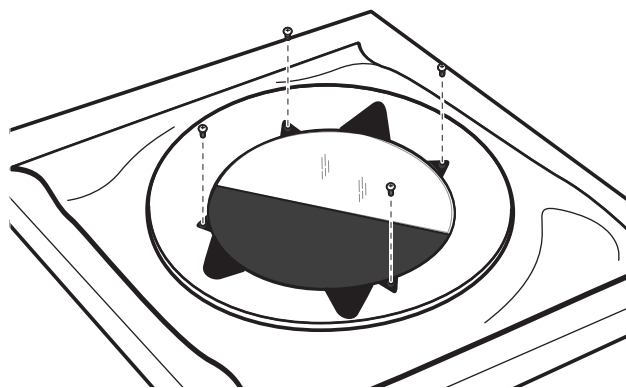


REMARQUE : Il est important d'enlever uniquement les 6 vis indiquées.

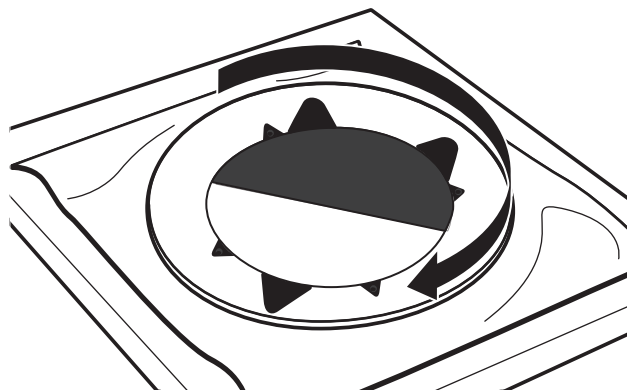
4. Soulever la partie interne de la porte hors de la partie externe.



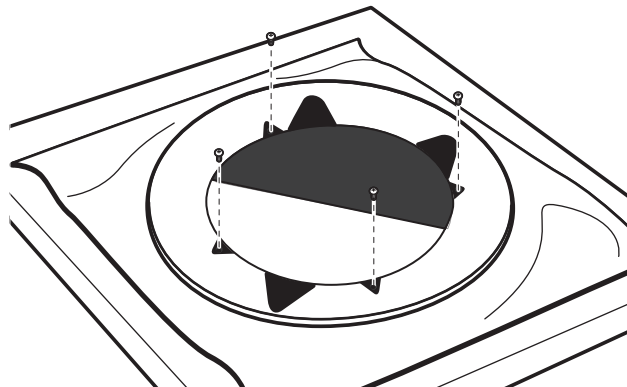
5. Retirer 4 vis cruciformes pour séparer la partie centrale de l'anneau externe de la porte.



6. Soulever et faire tourner la partie centrale de 180 degrés.



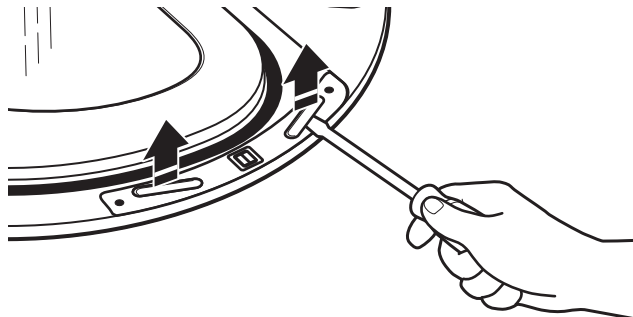
7. Assembler de nouveau les parties interne et externe de la porte avec les 4 vis.



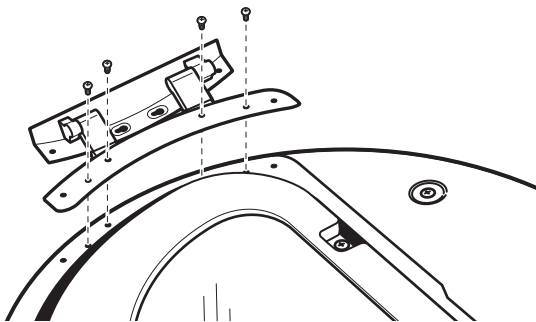
INVERSION DU SENS D'OUVERTURE DE LA PORTE DE LA SÉCHEUSE (OPTIONNEL)

Inversion de la charnière

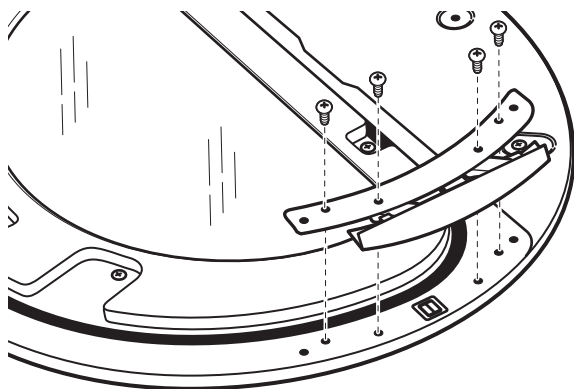
1. Utiliser un petit tournevis à lame plate pour enlever 2 pitons d'obturation de la partie interne de la porte. Faire glisser la tête du tournevis sous les pitons, en veillant à ne pas érafler la partie interne de la porte et soulever la languette.



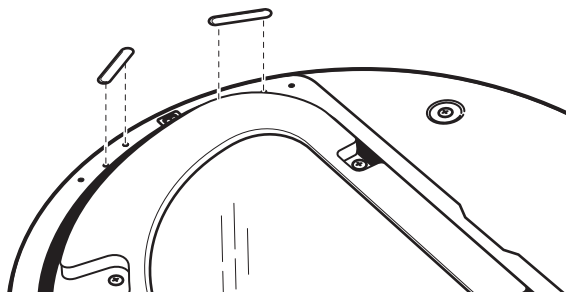
2. Retirer les 4 vis fixant la charnière de porte interne.



3. Déplacer la charnière de l'autre côté. Réinstaller les 4 vis.



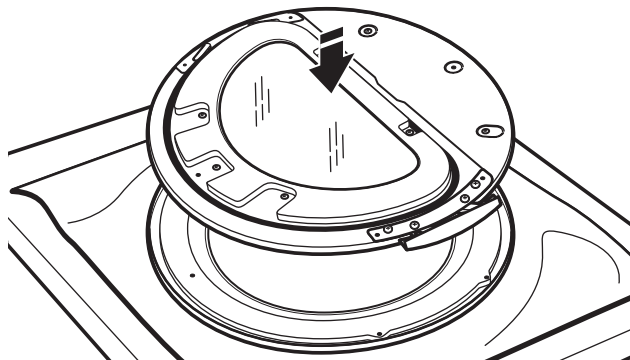
4. Réinstaller les pitons d'obturation sur le côté opposé de la porte interne.



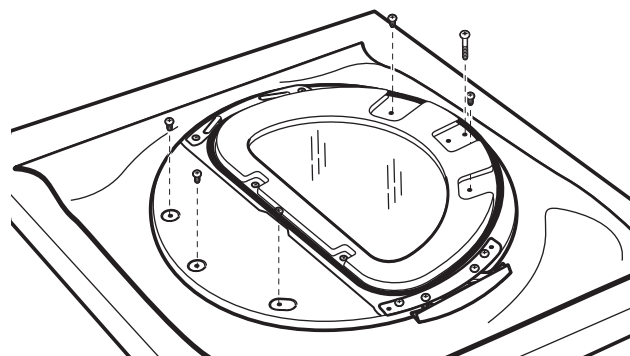
5. Vérifier qu'il n'y a pas de marques de doigts sur le verre. Nettoyer au besoin.

Replacer la porte

1. Placer la partie interne de la porte à l'intérieur de la partie externe.

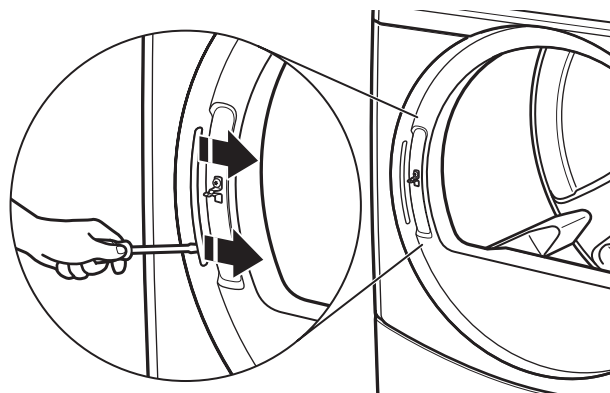


2. Assembler de nouveau les parties interne et externe de la porte avec les 6 vis.

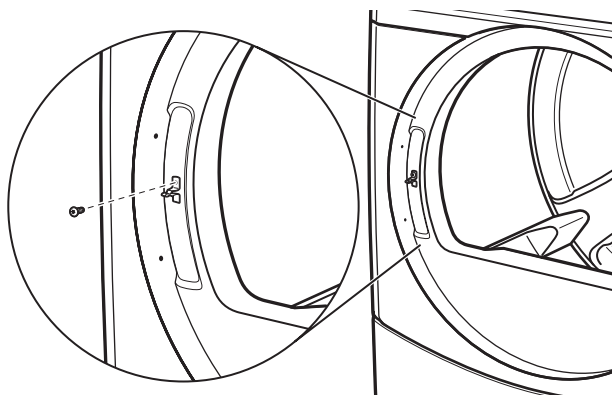


Inversion de la gâche

1. Utiliser un petit tournevis à lame plate pour enlever les pitons d'obturation dans l'ouverture de la porte de la sécheuse. Faire glisser la tête du tournevis sous les pitons, en veillant à ne pas érafler la surface de la sécheuse et soulever la languette.



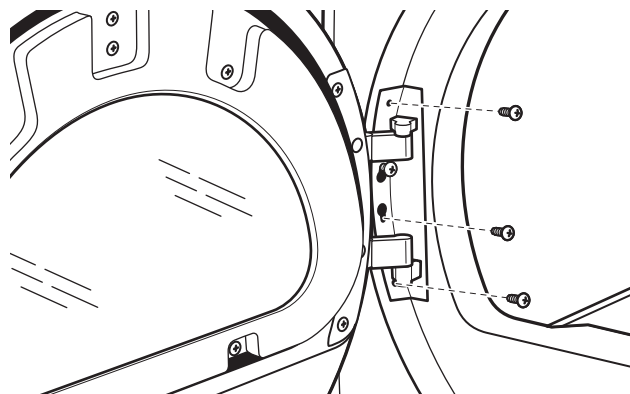
2. Retirer la gâche à l'aide d'un tournevis cruciforme.



3. Installer la gâche du côté opposé.

Réinstaller la porte

1. Insérer partiellement la 3^e vis depuis le dessus et faire coulisser la charnière sur la vis tout en insérant la charnière dans le trou du panneau avant. Fixer de nouveau la porte sur le panneau avant de la sècheuse avec les 4 vis.



2. Vérifier qu'il n'y a pas de marques de doigts sur le verre. Nettoyer au besoin.

3. Fermer la porte et vérifier qu'elle s'enclenche solidement.

INSTRUCTIONS D'ENTRETIEN

■ Nettoyer le filtre à charpie avant ou après chaque programme.

■ Comment enlever la charpie accumulée :

À l'intérieur de la caisse de la sècheuse :

Retirer la charpie tous les 2 ans, ou plus souvent, selon l'utilisation de la sècheuse. Le nettoyage doit être effectué par une personne qualifiée.

De l'intérieur du conduit d'évacuation :

Retirer la charpie tous les 2 ans, ou plus souvent, selon l'utilisation de la sècheuse.

■ Dégager l'espace autour de la sècheuse; aucune matière combustible, essence ou autres vapeurs ou liquides inflammables ne doit s'y trouver.

■ Dégager l'emplacement de la sècheuse de façon à ce qu'il soit libre de tout élément susceptible d'obstruer le débit d'air de combustion et de ventilation.

Si la sècheuse ne fonctionne pas, vérifier ce qui suit :

■ La prise de courant est correctement alimentée.

■ Le disjoncteur ne s'est pas déclenché et aucun fusible n'est grillé.

■ La porte est fermée. Écouter attentivement pour vérifier que le loquet de porte s'enclenche.

■ La commande est bien réglée et l'écran affiche la durée du programme.

■ Le bouton de sélection de programmes a été fermement enfoncé.

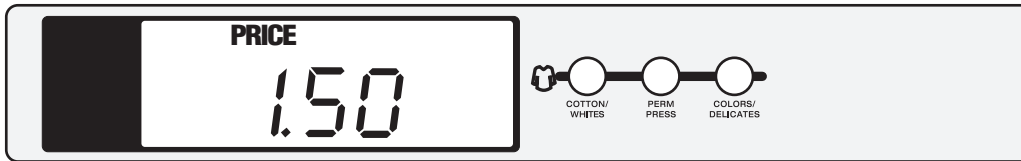
■ Pour les sècheuses à gaz, vérifier que le robinet d'arrêt est ouvert.

EN CAS DE BESOIN D'ASSISTANCE

Les services sous garantie doivent être effectués exclusivement par nos fournisseurs de dépannage autorisés Whirlpool. Aux É.-U. et au Canada, dirigez toutes vos demandes de service sous garantie au : Whirlpool Customer eXperience Center. Aux É.-U., composez le **1 800 253-1301**. Au Canada, composez le **1 800 807-6777**.

Si vous résidez à l'extérieur des 50 États des États-Unis et du Canada, contactez votre marchand Whirlpool autorisé pour déterminer si une autre garantie s'applique.

INSTRUCTIONS DE CONFIGURATION DES COMMANDES ÉLECTRONIQUES



REMARQUE : Une fois la sècheuse installée et branchée pour la première fois, l'affichage indique « 0 MINUTES ». Une fois la porte ouverte, puis fermée, l'affichage indique le prix.

Informations générales d'utilisation

UN MESSAGE DÉFILANT « OUT OF ORDER » (HORS SERVICE), SUIVI D'UN CODE D'ERREUR OU DE DIAGNOSTIC, S'AFFICHE À L'ÉCRAN – Ce problème indique que la sècheuse est défectueuse.

« 0 MINUTES » APPARAÎT SUR L’AFFICHAGE – Ceci indique qu’il n’est pas possible de faire fonctionner la sècheuse. Les pièces introduites ou le débit par carte engagé pendant cette phase sont stockés en avoir, mais ne sont pas utilisables tant que le fonctionnement normal n’est pas rétabli par l’ouverture et la fermeture de la porte. En cas de défaillance du contacteur d’une porte, qui provoque le maintien de l’affichage « 0 MINUTES » après l’ouverture et la fermeture de la porte, le contacteur doit être remplacé avant le rétablissement d’un fonctionnement normal.

DÉMARRAGE À FROID (première utilisation) –

La sècheuse est programmée en usine de la manière suivante : Séchage 1,50 \$ (30 minutes).
Modèle 9160 seulement : Séchage 0 \$ (45 minutes)

DÉMARRAGE À CHAUD (après une panne de courant) –

Quelques secondes après le rétablissement de l’alimentation, si un programme était en cours au moment de la coupure, « RESELECT CYCLE » (resélectionner programme) clignote sur l’affichage, indiquant qu’il faut appuyer sur un bouton pour redémarrer la sècheuse.

TARIFS – Une fois la porte ouverte, puis fermée après la fin de programme, l’affichage indique le prix du programme (à moins d’un réglage pour un fonctionnement gratuit, où l’affichage clignote en indiquant « SELECT CYCLE [SÉLECTIONNER PROGRAMME] »). Après l’insertion de pièces ou un débit de la carte de débit, les portions de l’affichage changent pour guider l’utilisateur dans le lancement d’un programme.

Il existe quatre (4) types de prix pour la sècheuse :

Prix de vente fixe

Une sècheuse réglée pour un fonctionnement en programme fixe accepte uniquement les durées supplémentaires accumulées par paliers égaux à la durée d’un programme de séchage complet. Un maximum de 75 minutes peut être acheté; aucun crédit supplémentaire n’est accordé pour les pièces insérées lorsque 75 minutes est affiché.

Prix par accumulation

Si l’option d est placée à d.00 et que le code 6 est placé à une pièce, alors le prix par accumulation est en vigueur. La durée du programme peut être augmentée avec une pièce à la fois jusqu’à une durée maximale de 75 minutes.

Programme fixe avec prix de durée supplémentaire (offert seulement pour une utilisation avec la chute à monnaies ou le lecteur de carte)

Une sècheuse réglée pour proposer une fonctionnalité « Top Off » (durée supplémentaire) permet d’ajouter une durée à un programme de séchage existant par paliers égaux au nombre de minutes de durée de séchage par pièce de 0,25 \$ (pièce 1), jusqu’à 75 minutes, quel que soit le coût nécessaire pour mettre en marche la sècheuse. Aucun crédit n’est accordé pour les pièces insérées ou les apports par carte de débit lorsque l’affichage indique 75 minutes.

PROGRAMME GRATUIT – Cette fonction est établie en réglant le prix du programme sur zéro. Dans ce cas, « SELECT CYCLE » (sélectionner programme) s’affiche à la place du prix du programme. En mode gratuit, un programme commencé se termine automatiquement à l’ouverture de la porte.

COMPATIBLE CARTE DE DÉBIT – Cette sècheuse est compatible avec les cartes de débit.

Elle accepte divers systèmes de cartes de débit, mais est livrée SANS lecteur de carte de débit. Consulter le fabricant du lecteur de carte de débit pour une installation correcte avec la sècheuse. L’option débit amélioré est sélectionnée lorsqu’un lecteur de cartes de 2^e génération est installé dans la sècheuse.

En mode débit amélioré, le prix d’appoint peut être réglé indépendamment (voir VALEUR DE LA PIÈCE 2), et la durée de l’appoint est calculée en fonction de l’équation suivante :

$$\frac{\text{Prix d'appoint}}{\text{Prix programme complet}} = \frac{\text{Durée d'appoint}}{\text{Durée du programme complet}}$$

Dans les modèles convertis avec un système à carte de débit de 1^{re} génération, les impulsions de débit représentent l’équivalent d’une pièce (pièce 1).

REMARQUE : Le mode débit amélioré ne peut pas être désélectionné.

Procédures de configuration des commandes

IMPORTANT : Lire toutes les instructions avant la mise en marche.

Les boutons de réglage du tissu, associés à l’affichage numérique, servent à régler les commandes de la sècheuse.

L’affichage peut contenir 4 chiffres ou lettres et un point décimal. Il indique les codes de configuration et les valeurs correspondantes pour la programmation de la sècheuse.

INSTRUCTIONS DE CONFIGURATION DES COMMANDES ÉLECTRONIQUES

Utilisation des boutons pour la programmation des commandes

1. Le bouton COTOTN/WHITES (coton/blanc) sert à régler les valeurs associées aux codes de configuration. En appuyant sur le bouton, la valeur change par paliers. Un réglage rapide est possible en maintenant le bouton enfoncé.
2. Le bouton PERM. PRESS (pressage permanent) permet de parcourir les codes de configuration. Le code de configuration accessible suivant est atteint en appuyant sur ce bouton. Pour passer aux codes de configuration suivants à un rythme supérieur à un par seconde, maintenir le bouton enfoncé.
3. Le bouton COLORS/DELICATES (couleurs/articles délicats) sélectionne les options ou les annule.

Configuration pour utilisation immédiate

Insérer la clé d'accès d'entretien dans la porte, la tourner et la soulever pour retirer la porte d'accès d'entretien.

Sécheuse avec lecteur de carte installé :

Une fois le lecteur de carte de débit installé (conformément aux instructions du fabricant du lecteur), on peut entrer au mode de configuration en insérant une carte de configuration manuelle (fournie par le fabricant du lecteur) dans la fente d'insertion de carte. Si on ne possède pas de carte de configuration manuelle, il ne sera possible d'accéder au mode de diagnostic qu'en retirant la porte d'accès d'entretien.

IMPORTANT : Pour accéder au mode de configuration ou de diagnostic, utiliser une clé d'entretien (modèles 9050) pour ouvrir la porte d'accès d'entretien. Si un lecteur de carte est installé, une carte d'entretien est fournie pour accéder aux diagnostics. S'il est impossible d'avoir accès à une clé d'entretien (modèles 9060), le connecteur AA1 doit être enlevé ou le code d'accès d'entretien décrit plus bas doit être utilisé. La console ne doit pas être ouverte avant que l'alimentation de la sécheuse soit débranchée. Pour accéder au connecteur AA1 :

1. Débrancher la sécheuse ou déconnecter la source de courant électrique.
2. Ouvrir la console, retirer la fiche du connecteur AA1 et fermer la console.
3. Brancher la sécheuse ou reconnecter la source de courant électrique.

La sécheuse est maintenant en mode réglage.

Pour saisir le code d'accès d'entretien alternatif et accéder au mode de configuration : Appuyer sur les boutons de gauche, de droite, de gauche, de droite et de droite.

REMARQUE : Il n'est pas nécessaire de configurer la sécheuse avec les codes suivants; la sécheuse est déjà configurée à l'usine. Ces codes peuvent être utilisés pour modifier les réglages, si désiré.

Codes de configuration

- Le bouton PERM. PRESS (pressage permanent) permet de progresser d'un code au suivant.
- Le bouton COTTON/WHITES (coton/blanc) change la valeur du code.
- Le bouton COLORS/DELICATES (couleurs/articles délicats) sélectionnera les options ou les annule.

Le code de configuration est indiqué par un ou deux caractères à gauche. La valeur du code de configuration est indiquée par deux ou trois caractères à droite.

REMARQUE : La première ligne de chaque code indique la valeur par défaut définie en usine.

Code	Explication
6. 06 PRIX D'UN PROGRAMME NORMAL	
6. 06	Lorsque d.xx est réglé sur d.00, cette valeur 6 xx représente le nombre de pièces (pièce 1) nécessaires pour démarrer la sécheuse. Ce nombre peut être réglé de 0 à 39. Le bouton COTTON/WHITES (coton/blancs) permet de modifier cette valeur. 6.06 = 6 pièces = 1,50 \$. (Les modèles 9160 sont par défaut à 6,00.)
6. 01	Lorsque d.xx est réglé sur d.CS, cette valeur 6 xx représente le nombre d'activations par poussée de la glissière à pièces nécessaires pour démarrer la sécheuse. 6.01 serait l'équivalent d'une activation de la glissière à pièces. <ul style="list-style-type: none">• Appuyer une fois sur le bouton PERM. PRESS (pressage permanent) pour passer au code suivant.
7. 05 DURÉE DE SÉCHAGE NORMAL	
7. 05	Lorsqu'elle est réglée sur fonctionnement avec chute de pièce ou lecteur de carte, la durée de séchage est égale à la valeur de temps de séchage multiplié par le prix d'un programme normal. Exemple : 6.06 et 7.05 = (06 x 05 = 30 minutes).
7. 45	Pour le fonctionnement avec glissière à monnaie ou OPL, la valeur est la durée en minutes de séchage. La valeur par défaut en usine est de 45 minutes. Appuyer sur COTTON/WHITES (coton/blancs) pour régler la valeur de 1 à 75 minutes. <ul style="list-style-type: none">• Appuyer une fois sur le bouton PERM. PRESS (pressage permanent) pour passer au code suivant.
8. 00 TYPE DE PRIX DE LA SÉCHEUSE	
8. 00	Programme fixe avec durée supplémentaire. Offert seulement pour une utilisation avec la chute à monnaies ou le lecteur de carte. Pour une description détaillée, consulter la section « Informations générales d'utilisation ».
8. PF	Programme fixe. Pour une description détaillée, consulter la section Informations générales d'utilisation. Utiliser le bouton COLORS/DELICATES (couleurs/articles délicats) pour effectuer cette sélection. <ul style="list-style-type: none">• Appuyer une fois sur le bouton PERM. PRESS (pressage permanent) pour passer au code suivant.
9. 00 OPTION DE COMPTAGE DES PROGRAMMES Cette option est soit sélectionnée « ON », soit non sélectionnée « OFF ».	
9. 00	Non sélectionnée « OFF ».
9. 0C	Sélectionnée « ON »; il n'est pas possible d'annuler cette sélection. <ul style="list-style-type: none">• Appuyer sur le bouton DELICATES (articles délicats) 3 fois de suite pour sélectionner « ON ». Une fois à « ON », il n'est pas possible d'annuler la sélection.• Appuyer une fois sur le bouton PERM. PRESS (pressage permanent) pour passer au code suivant.
1. 00 OPTION DE COMPTAGE DE MONNAIE Cette option est soit sélectionnée « ON », soit non sélectionnée « OFF ».	
1. 00	Non sélectionnée « OFF ».
1. 0C	Sélectionnée : « ON » <ul style="list-style-type: none">• Appuyer sur le bouton COLORS/DELICATES (couleurs/articles délicats) trois fois de suite pour sélectionner « ON » et trois autres fois de suite pour l'annuler (non sélectionnée « OFF »). Le compteur se remet à zéro en passant de l'option « OFF » à l'option « ON ».

INSTRUCTIONS DE CONFIGURATION DES COMMANDES ÉLECTRONIQUES

Code	Explication
1. C0	Sélectionnée « ON »; il n'est pas possible d'annuler cette sélection. <ul style="list-style-type: none"> Pour sélectionner l'option « ON » sans possibilité de l'annuler, sélectionner d'abord « ON », puis, en moins de deux secondes, appuyer deux fois sur COLORS/DELICATES (couleurs/articles délicats) et une fois sur COTTON/WHITES (coton/blanc), puis quitter le mode de configuration. Appuyer une fois sur le bouton PERM. PRESS (pressage permanent) pour passer au code suivant.
2. 00	OPTIONS DE TARIF SPÉCIAL Cette option est soit SÉLECTIONNÉE « ON », SOIT NON SÉLECTIONNÉE « OFF ».
2. 00	Non sélectionnée « OFF ».
2. SP	Sélectionnée « ON ». Appuyer sur le bouton COLORS/DELICATES (couleurs/articles délicats) pour cette sélection. Si l'option de prix spécial est sélectionnée, les codes « 3 » à « 9 » sont accessibles <ul style="list-style-type: none"> Appuyer une fois sur le bouton PERM. PRESS (pressage permanent) pour passer au code suivant. OPTIONS ACCESSIBLES LORSQUE L'OPTION DE TARIF SPÉCIAL EST SÉLECTIONNÉE :
3. 06	TARIF SPÉCIAL D'UN PROGRAMME
3. 06	Représente le nombre de pièces de 0,25 \$ (pièce 1) nécessaires pour mettre en marche la sècheuse; réglable de 0 à 39. (Voir le réglage de b.xx pour la VALEUR DE PIÈCE 1.) Le bouton COTTON/WHITES (coton/blancs) permet de modifier cette valeur entre 0 et 39. Valeur par défaut définie en usine sur 6 pièces de 0,25 \$ = 1,50 \$.
3. 00	Modèle 9160 : Valeur par défaut définie en usine sur 0 pièce. <ul style="list-style-type: none"> Appuyer une fois sur le bouton PERM. PRESS (pressage permanent) pour passer au code suivant.
4. 05	DURÉE DE SÉCHAGE SPÉCIAL
4. 05	Modèle 9150 : Représente le nombre de minutes par pièce de 0,25 \$ (pièce 1). La valeur par défaut en usine est de 5 minutes par pièce. Exemple : 6 pièces de 0,25 \$ x 5 minutes = 30 minutes. En appuyant sur le bouton COTTON/WHITES (coton/blanc), la valeur peut être réglée entre 1 et 75 minutes.
4. 45	Modèle 9160 : Représente la durée du programme fixe en minutes. Par exemple : « 4.45 » = 45 minutes. <ul style="list-style-type: none"> Appuyer une fois sur le bouton PERM. PRESS (pressage permanent) pour passer au code suivant.
5. 00	HORLOGE, MINUTES
5. 00	Réglage des minutes de l'horloge; choisir une valeur entre 0 et 59 minutes en appuyant sur le bouton COTTON/WHITES (coton/blancs). <ul style="list-style-type: none"> Appuyer une fois sur le bouton PERM. PRESS (pressage permanent) pour passer au code suivant.

Code	Explication																								
6. 00	HORLOGE, MINUTES REMARQUES : Utilise le format sur 24 heures.																								
6. 00	Réglage des heures de l'horloge; choisir une valeur entre 0 et 23 heures en appuyant sur le bouton COTTON/WHITES (coton/blancs). <ul style="list-style-type: none"> Appuyer une fois sur le bouton PERM. PRESS (pressage permanent) pour passer au code suivant. 																								
7. 00	HEURE DE DÉBUT DU TARIF SPÉCIAL REMARQUE : Utilise le format sur 24 heures.																								
7. 00	Réglage de l'heure de mise en marche; choisir une valeur entre 0 et 23 heures. Sélectionner l'heure de mise en marche en appuyant sur le bouton COTTON/WHITES (coton/blancs). <ul style="list-style-type: none"> Appuyer une fois sur le bouton PERM. PRESS (pressage permanent) pour passer au code suivant. 																								
Code	Explication																								
8. 00	HEURE DE FIN DU TARIF SPÉCIAL REMARQUE : Utilise le format sur 24 heures.																								
8. 00	Réglage de l'heure d'arrêt; choisir une valeur entre 0 et 23 heures. Sélectionner l'heure d'arrêt en appuyant sur le bouton COTTON/WHITES (coton/blancs). <ul style="list-style-type: none"> Appuyer une fois sur le bouton PERM. PRESS (pressage permanent) pour passer au code suivant. 																								
9. 10	JOUR À TARIF SPÉCIAL																								
9. 10	Représente le jour de la semaine et indique si un prix spécial est sélectionné pour ce jour. Un nombre suivi de « 0 » indique l'absence de sélection pour ce jour particulier (9.10). Un nombre suivi de « S » indique une sélection pour ce jour particulier (9.1S). Les jours de la semaine (1 à 7) peuvent être sélectionnés en appuyant sur la touche COTTON/WHITES (coton/blancs). Appuyer une fois sur le bouton COLORS/DELICATES (couleurs/articles délicats) pour sélectionner le prix spécial pour chaque jour choisi. En quittant le code de configuration « 9 », l'affichage doit indiquer le jour actuel de la semaine :																								
	<table border="1"> <thead> <tr> <th>AFFICHAGE</th> <th>JOUR DE LA SEMAINE</th> <th>CODE (sélectionné)</th> </tr> </thead> <tbody> <tr> <td>10</td> <td>Jour 1 = dimanche</td> <td>1S</td> </tr> <tr> <td>20</td> <td>Jour 2 = lundi</td> <td>2S</td> </tr> <tr> <td>30</td> <td>Jour 3 = mardi</td> <td>3S</td> </tr> <tr> <td>40</td> <td>Jour 4 = mercredi</td> <td>4S</td> </tr> <tr> <td>50</td> <td>Jour 5 = jeudi</td> <td>5S</td> </tr> <tr> <td>60</td> <td>Jour 6 = vendredi</td> <td>6S</td> </tr> <tr> <td>70</td> <td>Jour 7 = samedi</td> <td>7S</td> </tr> </tbody> </table>	AFFICHAGE	JOUR DE LA SEMAINE	CODE (sélectionné)	10	Jour 1 = dimanche	1S	20	Jour 2 = lundi	2S	30	Jour 3 = mardi	3S	40	Jour 4 = mercredi	4S	50	Jour 5 = jeudi	5S	60	Jour 6 = vendredi	6S	70	Jour 7 = samedi	7S
AFFICHAGE	JOUR DE LA SEMAINE	CODE (sélectionné)																							
10	Jour 1 = dimanche	1S																							
20	Jour 2 = lundi	2S																							
30	Jour 3 = mardi	3S																							
40	Jour 4 = mercredi	4S																							
50	Jour 5 = jeudi	5S																							
60	Jour 6 = vendredi	6S																							
70	Jour 7 = samedi	7S																							
	<ul style="list-style-type: none"> Appuyer une fois sur le bouton PERM. PRESS (pressage permanent) pour passer au code suivant. 																								
A. 00	OPTION D'AFFICHAGE DU COFFRE Cette option est soit SÉLECTIONNÉE « ON » ou NON SÉLECTIONNÉE « OFF ».																								
A. 00	Non sélectionnée « OFF ».																								

INSTRUCTIONS DE CONFIGURATION DES COMMANDES ÉLECTRONIQUES

Code	Explication
A. SC	Sélectionnée « ON ». Appuyer sur le bouton COLORS/DELICATES (couleurs/articles délicats) pour cette sélection. Lorsque cette option est sélectionnée, le compteur de monnaie ou de programmes peut être affiché (si l'option de comptage est sélectionnée) lorsque la boîte à monnaie est retirée. <ul style="list-style-type: none"> Appuyer une fois sur le bouton PERM. PRESS (pressage permanent) pour passer au code suivant.
b. 05	VALEUR DE LA PIÈCE 1
b. 05	Représente la valeur de la pièce 1 en nombre de pièces de 0,05 \$: 05 = 0,25 \$ (par défaut pour les modèles 9150 et 9160). <ul style="list-style-type: none"> En appuyant sur le bouton COTTON/WHITES (coton/blancs), sélectionner entre 1 et 199 pièces de 0,05 \$. Appuyer une fois sur le bouton PERM. PRESS (pressage permanent) pour passer au code suivant.
b. 30	Avec la glissière à pièces activée, ceci représente le prix de vente total en pièces de 0,05 \$. Exemple : b.30 équivaut à 1,50 \$.
Code	Explication
C. 20	VALEUR DE LA PIÈCE 2
b. 20	Représente la valeur de la pièce 2 en nombre de pièces de 0,05 \$: 20 = 1,00 \$. <ul style="list-style-type: none"> En appuyant sur le bouton COTTON/WHITES (coton/blancs), sélectionner entre 1 et 199 pièces de 0,05 \$.
C. 05	Lorsqu'un lecteur de carte de génération 2 est utilisé, ce code représente la valeur de la durée supplémentaire en pièces de 0,05 \$. C.05 = 0,25 \$. <ul style="list-style-type: none"> Appuyer une fois sur le bouton PERM. PRESS (pressage permanent) pour passer au code suivant.
d. 00	OPTION GLISSIÈRE À PIÈCES Cette option est soit sélectionnée « ON », soit non sélectionnée « OFF ». Le remplacement du boîtier du compteur est nécessaire pour le montage du dispositif de la glissière de pièces.
d. 00	Non sélectionnée « OFF ».
d. SC	Sélectionnée « ON ». <p>REMARQUE : Cette option doit être définie à « 00 » à moins que le boîtier du compteur ait été modifié pour accepter le dispositif de la glissière de pièces. Appuyer sur le bouton COLORS/DELICATES (couleurs/articles délicats) trois fois de suite pour cette sélection. Une fois le mode glissière à pièces sélectionné, configurer « b. » sur la valeur d'une descente en pièces de 0,05 \$. Réglez les codes « 6.XX » (REGULAR CYCLE PRICE [prix du programme normal]) et « 3.XX » (SPECIAL CYCLE PRICE [prix du programme spécial]) sur le nombre de descentes de pièces.</p> <p>REMARQUE : Si l'installateur règle « CS » sur un modèle à glissière de pièces, les pièces ne sont pas enregistrées sur la sècheuse.</p> <ul style="list-style-type: none"> Appuyer une fois sur le bouton PERM. PRESS (pressage permanent) pour passer au code suivant.
E. 00	OPTION NOMBRE DE PIÈCES Cette option est soit sélectionnée « ON » ou non sélectionnée « OFF ». Avec cette option, l'affichage client indique le nombre de pièces (pièce 1) à insérer plutôt que le montant en dollars et cents.

Code	Explication
E. 00	Non sélectionnée « OFF ».
E. AC	Sélectionnée « ON ». Appuyer sur le bouton COLORS/DELICATES (couleurs/articles délicats) trois fois de suite pour cette sélection. MODÈLES 9160 SEULEMENT : Dans le mode Débit amélioré, cette option n'est pas accessible. <ul style="list-style-type: none"> Appuyer une fois sur le bouton PERM. PRESS (pressage permanent) pour passer au code suivant.
J. Cd	MODE DE PAIEMENT (OPTIONS PIÈCES/DÉBIT)
J. Cd	Modes pièces et carte de débit sélectionnés. Appuyer sur le bouton COLORS/DELICATES (couleurs/articles délicats) trois fois de suite pour modifier cette sélection.
J. C_	Mode pièces sélectionné, mode débit désactivé. Appuyer sur le bouton COLORS/DELICATES (couleurs/articles délicats) trois fois de suite pour modifier cette sélection.
J. _d	Mode carte de débit sélectionnée, mode pièces désactivé (par défaut sur les modèles 9160). Cette sélection doit être utilisée pour le fonctionnement gratuit. Appuyer sur le bouton COLORS/DELICATES (couleurs/articles délicats) trois fois de suite pour modifier cette sélection.
J. Ed	L'option Enhanced Debit (Ed) (débit amélioré) est automatiquement sélectionnée lorsqu'un lecteur de cartes de 2 ^e génération est installé dans la sècheuse. L'option « Ed » ne peut pas être sélectionnée ou désactivée manuellement. <ul style="list-style-type: none"> Appuyer une fois sur le bouton PERM. PRESS (pressage permanent) pour passer au code suivant.
L. 00	OPTION DE SUPPRESSION DU PRIX Cette option est soit sélectionnée « ON » ou non sélectionnée « OFF ». Cette option indique sur l'afficheur client « ADD » (introduire) ou « AVAILABLE » (possible) au lieu du montant à ajouter (utilisé principalement avec les installations à carte de débit).
L. 00	Non sélectionnée « OFF ».
L. PS	Sélectionnée « ON ». Appuyer sur le bouton COLORS/DELICATES (couleurs/articles délicats) pour cette sélection. <ul style="list-style-type: none"> Appuyer une fois sur le bouton PERM. PRESS (pressage permanent) pour passer au code suivant.
n. CE	OPTION D'ANNULATION D'AVOIR Cette option est soit sélectionnée « ON », soit non sélectionnée « OFF ». Lorsque cette option est sélectionnée, l'argent mémorisé en avoir pendant 30 minutes sans ajout supplémentaire ou activités de programme est effacé.
n. 00	Non sélectionnée « OFF ».
n. CE	Sélectionnée « ON ». <ul style="list-style-type: none"> Appuyer sur le bouton COLORS/DELICATES (couleurs/articles délicats) une fois pour modifier cette sélection. Appuyer une fois sur le bouton PERM. PRESS (pressage permanent) pour passer au code suivant.

INSTRUCTIONS DE CONFIGURATION DES COMMANDES ÉLECTRONIQUES

Code	Explication
U. 00	COMPENSATION PAR INCRÉMENTS EN CENTS
U. 00	Représente la compensation du prix par incréments en cents utilisée dans les modèles 9160 de 2 ^e génération (débit amélioré). Le bouton COTTON/WHITES (coton/blancs) permet de choisir une valeur entre 0 et 4 cents. <ul style="list-style-type: none"> Appuyer une fois sur le bouton PERM. PRESS (pressage permanent) pour passer au code suivant.

Si le compteur de programmes (9 0C) est sélectionné, le calcul du total est le suivant :

1 00	Programmes en CENTAINES	1 <u>02</u> = 200
2 00	Programmes en UNITÉS	2 <u>25</u> = 25
TOTAL DE PROGRAMMES =		225

AFFICHAGE SEULEMENT, ne peut être effacé.

- Appuyer une fois sur le bouton PERM. PRESS (pressage permanent) pour passer au code suivant.

Si le compteur de monnaie (1.0C ou 1.C0) est sélectionné, le calcul du total est le suivant :

3 00	CENTAINES de dollars	3 <u>01</u> = 100,00 \$
4 00	Dollars en UNITÉS	4 <u>68</u> = 68,00 \$
5 00	Valeur en MONNAIE	5 <u>75</u> = 00,75 \$
TOTAL =		168,75 \$

FIN DES OPÉRATIONS DE CONFIGURATION

QUITTER LE MODE DE CONFIGURATION

- Fermer la porte d'accès d'entretien.
- Débrancher l'alimentation de la sécheuse avant de réinstaller le connecteur AA1, s'il a été enlevé.
- Retirer la carte de configuration manuelle.
- Attendre deux minutes sans activer aucune des entrées de la sécheuse.
- Débrancher, puis rebrancher l'alimentation.

Codes de diagnostic

Si en accédant au mode de configuration, l'une des situations suivantes s'est produite, le code de diagnostic correspondant est affiché.

Affichage de la sécheuse	Explication
d 5	Pièce 1 bloquée ou défaillance du circuit de commande de chute de pièce (reconnaissance des pièces et affichage client désactivés tant que le blocage persiste).
d 9	Tension détectée inférieure à 90 V CA pendant 8 secondes.
d 13	Pièce 2 bloquée ou défaillance du circuit de commande de chute de pièce (reconnaissance des pièces et affichage client désactivés tant que le blocage persiste).
d 16	Aucune réception de communications du lecteur de cartes de débit installé en mode Débit amélioré (génération 2).
F 01	Erreur du circuit de commande du moteur de la sécheuse (programmes et affichage désactivés jusqu'à la réinitialisation manuelle du code de diagnostic). Le module de commande ne sait pas si le relais est défectueux (collé), si le circuit d'alimentation du relais est défaillant (en court-circuit, provoquant le blocage du relais du moteur en position active) ou si le circuit de rétroaction du relais est endommagé.
F 22	Thermistance de décharge ouverte, la température chute en dessous de 18 °F (-8 °C) (> 50 kΩ) pendant 1 minute en mode « Run » (en marche), ou immédiatement en mode Factory Diagnostic (diagnostic en usine).
F 23	Thermistance de décharge en court-circuit, température au-dessus de 250 °F (121 °C) (< 500 kΩ) pendant 1 minute en mode « Run » (en marche), ou immédiatement en mode Factory Diagnostic (diagnostic en usine).
F 70	L'UI ne reçoit pas de communication du MCC (programmes et affichage désactivés tant que l'erreur persiste ou n'est pas réinitialisée manuellement).
F 71	Le MCC ne reçoit pas de communication de l'IU (programmes et affichage désactivés tant que l'erreur persiste ou n'est pas réinitialisée manuellement).
F 73	Microprocesseur IU incapable de lire ou de vérifier l'EEPROM (programmes et affichage désactivés jusqu'à la réinitialisation manuelle du code de diagnostic).
F 74	La mémoire EEPROM de l'UI a une anomalie CRC (programmes et affichage désactivés jusqu'à la réinitialisation manuelle du code de diagnostic).

INSTRUCTIONS DE CONFIGURATION DES COMMANDES ÉLECTRONIQUES

Mode de diagnostic de la sécheuse

Pour accéder à ce mode, appuyer sur la touche COLORS/DELICATES (couleurs/articles délicats) pendant une seconde dans l'un des codes de configuration 6.xx ou 7.xx ou lorsqu'un code de diagnostic est affiché. Les codes de diagnostic sont effacés à l'accès et tous les segments de l'afficheur clignotent. Si un code de diagnostic persiste, il doit être corrigé avant l'accès au programme de diagnostic.

Tous les modèles :

Pendant que tous les segments de l'affichage clignotent, appuyer sur la touche PERM. PRESS (pressage permanent) pour démarrer le programme de diagnostic. Le programme est constitué d'une période de chauffage de 7 minutes et d'une période de refroidissement de une minute.

Appuyer sur la touche COTTON/WHITES (coton/blancs) pour augmenter les minutes du programme de diagnostic à 75, puis revenir jusqu'à 2 minutes. Appuyer sur la touche COULEURS/DELICATES (couleurs/articles délicats) pour annuler ce programme et quitter le mode de diagnostic.

Mode d'aide de la sécheuse

Le mode d'aide sur la sécheuse est accessible en appuyant sur la touche COTTON/WHITES (coton/blancs) dans l'option de tarification spéciale étape 2.XX. Dans le mode d'aide, la version du logiciel est affichée. Le mode d'aide est avancé en appuyant sur le bouton PERM. PRESS (pressage permanent). Consulter le sous-menu du mode d'aide suivant pour connaître l'ordre d'affichage des éléments. Appuyer sur le bouton COTTON/WHITES (coton/blancs) à tout moment pour quitter le mode d'aide.

Codes d'aide

Code d'aide	Description
71	Message d'interrogation du programme de carte de débit de génération 2 hors séquence.
74	Message de solde restant sur la carte de débit de génération 2 hors séquence.
75	Message de solde sur la nouvelle carte de débit de génération 2 hors séquence.
88	État de messagerie incorrect trouvé dans la routine comm_suprv () de communications d'acquisition de données.

Menu secondaire du mode Aide

Étape	Indication à l'écran	Explication
1	1h.XX	Code d'aide 1, où XX est le numéro du code d'aide. *
2	2h.XX	Code d'aide 2, où XX est le numéro du code d'aide. *
3	3h.XX	Code d'aide 3, où XX est le numéro du code d'aide. *
4	1.X##	Code d'historique des erreurs 1, où X est le code F ou d, et ## est le numéro du code. **
5	2.X##	Code d'historique des erreurs 2, où X est le code F ou d, et ## est le numéro du code. **
6	3.X##	Code d'historique des erreurs 3, où X est le code F ou d, et ## est le numéro du code. **
7	4.X##	Code d'historique des erreurs 4, où X est le code F ou d, et ## est le numéro du code. **
8	SC.XX	Révision du logiciel du MCC, où XX est le numéro de révision du logiciel.
9	SU.XX	Révision du logiciel IU, où XX est le numéro du logiciel.
10	EU.XX	Révision EEPROM IU, où XX est le numéro de EEPROM.

* Pour effacer les 3 codes d'aide, appuyer sur le bouton COLORS/DELICATES (couleurs/articles délicats).

** Les erreurs affichées dans cette section sont les erreurs d'historique survenues dans la sécheuse (pas nécessairement une erreur en cours). L'erreur actuelle est affichée dans la FONCTION MANUELLE DES TOUCHES DANS LE MODE SECONDAIRE DE DIAGNOSTIC.

Dans le mode d'aide, d'autres affichages reflètent l'état de diverses entrées et sorties de la manière suivante :

Toutes les sécheuses

*.....faible tension présente (sous 90 V CA)
 °(cercle au-dessus du chiffre). Porte fermée
 OR.....moteur capté en marche
 AIR.....relais de valve de chauffage/gaz en marche
 FLUFF (duvetage).....relais du moteur en marche

SEGURIDAD DE LA SECADORA

Su seguridad y la seguridad de los demás es muy importante.

Hemos incluido muchos mensajes importantes de seguridad en este manual y en su electrodoméstico. Lea y obedezca siempre todos los mensajes de seguridad.



Este es el símbolo de alerta de seguridad.

Este símbolo le llama la atención sobre peligros potenciales que pueden ocasionar la muerte o una lesión a usted y a los demás.

Todos los mensajes de seguridad irán a continuación del símbolo de advertencia de seguridad y de la palabra "PELIGRO" o "ADVERTENCIA". Estas palabras significan:

 **PELIGRO**

Si no sigue las instrucciones de inmediato, usted puede morir o sufrir una lesión grave.

 **ADVERTENCIA**

Si no sigue las instrucciones, usted puede morir o sufrir una lesión grave.

Todos los mensajes de seguridad le dirán el peligro potencial, le dirán cómo reducir las posibilidades de sufrir una lesión y lo que puede suceder si no se siguen las instrucciones.

- Se recomienda que el propietario coloque en un lugar a la vista las instrucciones para el uso del cliente en caso de que este perciba olor a gas. Esta información deberá obtenerse de su proveedor de gas.
- Coloque a la vista la siguiente advertencia.

PARA SU SEGURIDAD

No almacene ni use gasolina u otros vapores y líquidos inflamables cerca de éste o cualquier otro electrodoméstico.

ADVERTENCIA:

PELIGRO DE INCENDIO O EXPLOSIÓN

Si no se siguen las advertencias de seguridad con exactitud, se podrían producir lesiones graves, muertes o daños a la propiedad.

- No almacene o use gasolina u otros líquidos y vapores inflamables cerca de éste u otro aparato electrodoméstico.
- **PASOS QUE USTED DEBE SEGUIR SI HUELE A GAS:**
 - No trate de encender ningún aparato electrodoméstico.
 - No toque ningún interruptor eléctrico; no use ningún teléfono en su edificio.
 - Desaloje a todos los ocupantes del cuarto, edificio o área.
 - Llame inmediatamente a su proveedor de gas desde el teléfono de un vecino. Siga las instrucciones de su proveedor de gas.
 - Si usted no puede comunicarse con su proveedor de gas, llame al departamento de bomberos.
- La instalación y el servicio deben ser efectuados por un instalador calificado, una agencia de servicio o por el proveedor de gas.

ADVERTENCIA: Las pérdidas de gas no siempre se pueden detectar por el olfato.

Los proveedores de gas recomiendan que usted use un detector de gas aprobado por UL (Laboratorio de normalización) o CSA (Asociación canadiense de seguridad).

Para obtener más información, póngase en contacto con su proveedor de gas.

Si se detecta una fuga de gas, siga las instrucciones de "Pasos que usted debe seguir si huele a gas".



ADVERTENCIA - “Riesgo de Incendio”

- La instalación de la secadora de ropa debe ser realizada por un técnico calificado.
- Instalar la secadora de ropa de acuerdo con las instrucciones del fabricante.
- No instalar la secadora de ropa con materiales de ventilación de plástico. Si se instala ducto flexible metálico (tipo aluminio), éste debe ser de un tipo específico que sea avalado por el fabricante como apto para el uso con secadora de ropa. Los materiales de ventilación flexibles son bien conocidos por colapsarse, se aplastan fácilmente y retienen pelusa. Estas condiciones bloquearán el flujo de aire de la secadora e incrementarán el riesgo de incendio.
- Para reducir el riesgo de lesiones graves o muerte, siga todas las instrucciones de instalación.
- Guarde estas instrucciones.

En el estado de Massachusetts se aplican las siguientes instrucciones de instalación:

- Las instalaciones y reparaciones se deben efectuar por un contratista, plomero o gasista calificado o licenciado por el estado de Massachusetts.
- Reemplace con dispositivos de cierre aceptables: las llaves de gas y las válvulas de bola instaladas para el uso deben estar en la lista.
- Si se usa un conector de gas flexible no debe exceder de 4 pies (121,9 cm).

INSTRUCCIONES DE SEGURIDAD IMPORTANTES

ADVERTENCIA: A fin de reducir el riesgo de incendio, choque eléctrico o de daño a las personas que usen la secadora, deben seguirse las precauciones básicas, incluidas las siguientes:

- Lea todas las instrucciones antes de usar la secadora.
- No coloque los objetos expuestos a aceite para cocinar en su secadora. Los objetos expuestos a aceites para cocinar pueden contribuir a una reacción química que podría causar que una carga se incendie. Para reducir el riesgo de incendio debido a cargas contaminadas, la parte final de un ciclo en la secadora se produce sin calor (período de enfriamiento). Evite detener una secadora antes de que termine el ciclo de secado a menos que todos los objetos se saquen y separen rápidamente de modo que el calor se disipe.
- No seque artículos que ya se hayan limpiado, lavado, remojado o manchado con gasolina, disolventes de limpieza en seco, u otras sustancias inflamables o explosivas ya que despiden vapores que pueden encenderse o causar una explosión.
- Riesgo de asfixia y lesiones por atrapamiento: No permita que los niños jueguen sobre el electrodoméstico o dentro de este. Es necesaria la cuidadosa vigilancia de los niños siempre que estén cerca cuando se use el electrodoméstico.
- Quite la puerta de la secadora al compartimiento de secado antes de ponerla fuera de funcionamiento o de descartarla.
- No introduzca las manos en la secadora cuando el tambor está en movimiento.
- No instale o almacene esta secadora en lugares donde quede expuesta a la intemperie.
- No altere los controles.
- No use piezas de repuesto que no hayan sido recomendadas por el fabricante (por ejemplo, piezas hechas en casa con una impresora 3D).
- No repare o reemplace ninguna pieza de la secadora ni trate de repararla a menos que esto se recomiende específicamente en estas instrucciones de instalación o en las instrucciones de reparación publicadas para el usuario que usted comprenda y solo si cuenta con la experiencia necesaria para llevar a cabo dicha reparación.
- No utilice suavizantes de telas o productos para eliminar la estática de prendas a menos que lo recomiende el fabricante del suavizante de telas o del producto en uso.
- No utilice calor para secar prendas que contengan goma espuma o materiales con textura similar a la goma.
- Limpie el filtro de pelusa de la secadora antes o después de cada carga.
- Mantenga el área alrededor de la abertura de ventilación y las áreas adyacentes a esta abertura sin pelusas, polvo o tierra.
- La parte interior de la secadora y su ducto de ventilación se deben limpiar periódicamente por personal de servicio calificado.
- Consulte “Requisitos eléctricos” para obtener las instrucciones de conexión a tierra.
- **ADVERTENCIA:** Riesgo de incendio. No instale un ventilador de refuerzo en el ducto de escape.
NOTA: La advertencia del ventilador de refuerzo no se aplica a las secadoras de ropa diseñadas para ser instaladas en un sistema de secadora de ropa múltiple, con un sistema de conducto de escape diseñado que se instala según las pautas del fabricante de dicha secadora.

GUARDE ESTAS INSTRUCCIONES

SEGURIDAD DE LA SECADORA

IMPORTANTE: La instalación de gas debe cumplir con los códigos locales y en la ausencia de códigos locales, con el Código nacional de gas combustible (National Fuel Gas Code), ANSI Z223.1/NFPA 54 o el Código de instalación de gas natural y propano, CSA B149.1.

La secadora deberá estar conectada a tierra de acuerdo con los códigos locales, o en la ausencia de códigos locales, con el Código nacional eléctrico (National Electrical Code), ANSI/NFPA 70 o el Código canadiense de electricidad (Canadian Electrical Code), Parte 1, CSA C22.1.

ADVERTENCIA

Peligro de incendio

Si no se siguen las advertencias de seguridad con exactitud, se podrían producir lesiones graves, muertes o daños a la propiedad.

No instale un ventilador de refuerzo en el conducto de escape.

Instale todas las secadoras de ropa de acuerdo con las instrucciones de instalación del fabricante de las secadoras.

INSTRUCCIONES IMPORTANTES DE SEGURIDAD

Antes de guardar o descartar su vieja secadora, quítele la puerta.

GUARDE ESTAS INSTRUCCIONES

REQUISITOS DE INSTALACIÓN

Herramientas y piezas

Herramientas necesarias:



Llave para tubos de 8" o 10"



Llave ajustable de 8" o 10"



Destornillador de punta plana que se abre a 1"



Destornillador Phillips



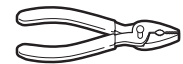
Destornillador o broca de seguridad TORX T20†



Llave de cubo de cabeza hexagonal de 1"



Llave de cubo de 1/4"



Pinzas (que se abran a 1⁹/₁₆")



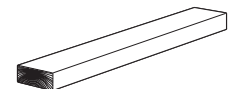
Nivel



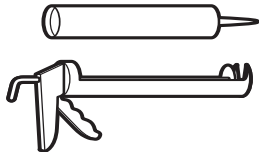
Cuchillo multiusos



Sacatuercas de 1/4"



Bloque de madera de 27"



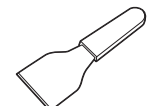
Pistola y masilla para calafateo (para instalar el nuevo ducto de escape)



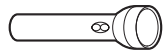
Abrazaderas para ducto de ventilación



Compuesto para unión de tuberías que sea adecuado para el tipo de gas



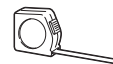
Espátula para masilla



Linterna (opcional)



Llaves de extremo abierto de 1"

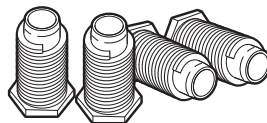


Regla o cinta de medir

Piezas suministradas:



Tapas protectoras (4)



Patas niveladoras (4)

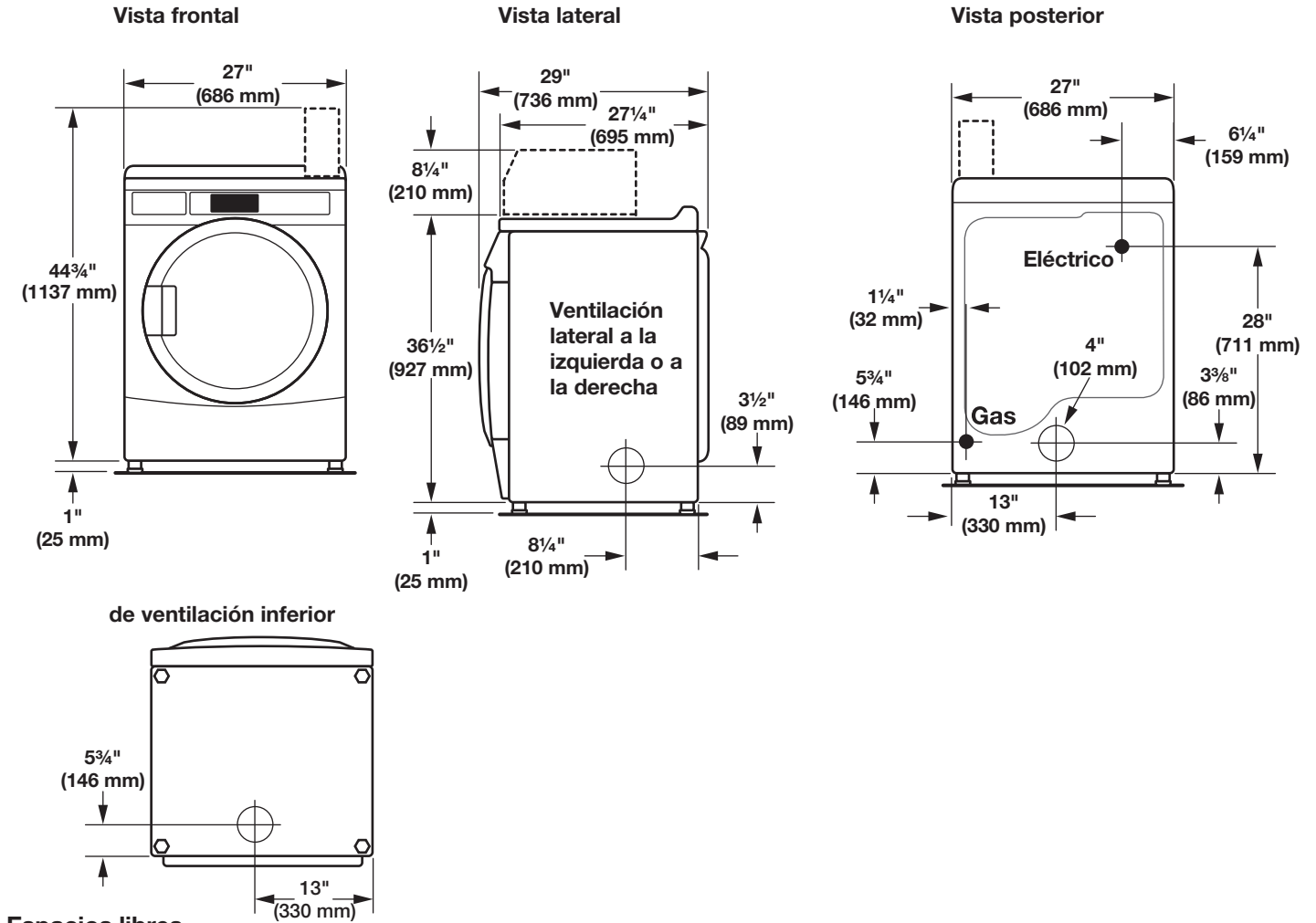
Para encontrar piezas de repuesto especificadas de fábrica en su localidad, llame al distribuidor en donde compró la secadora.

†TORX T20 es una marca comercial de Acument Intellectual Properties, LLC.

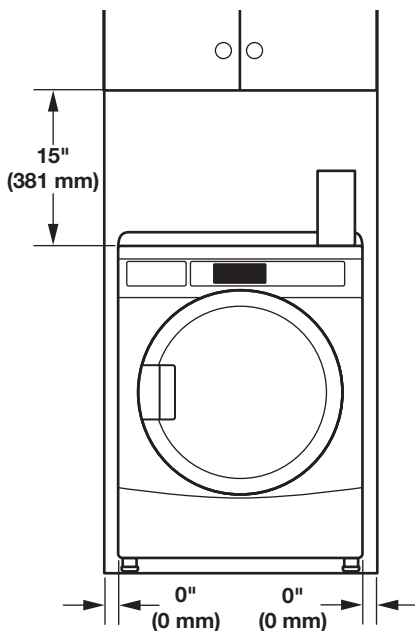
REQUISITOS DE INSTALACIÓN

Dimensiones y espacios libres

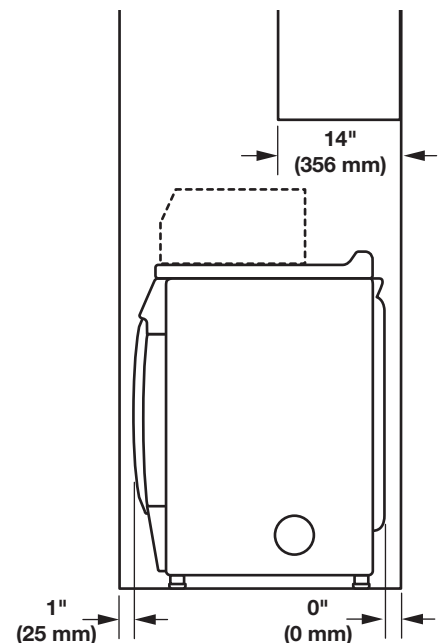
Dimensiones



Vista frontal en el lugar empotrado



Vista lateral del clóset



REQUISITOS DE INSTALACIÓN

Requisitos de ventilación

⚠ ADVERTENCIA



Peligro de Incendio

Use un ducto de escape de metal pesado.

No use un ducto de escape de plástico.

No use un ducto de escape de aluminio.

No seguir estas instrucciones puede ocasionar la muerte o incendio.

ADVERTENCIA: Para reducir el riesgo de incendio, ESTA SECADORA DEBE VENTILARSE HACIA EL EXTERIOR.

IMPORTANTE: Respete todas las normativas y reglamentos vigentes.

- El ducto de escape de la secadora no debe conectarse a ningún ducto de gas, chimenea, pared, techo, desván, espacio angosto o el espacio oculto de un edificio. Deberá usarse solamente un ducto rígido o flexible para la ventilación.
- Solo puede usarse un ducto de escape de metal pesado de 4" (102 mm) y abrazaderas.
- No use capotas de ventilación con pestillos magnéticos.
- Utilice abrazaderas para sellar todas las juntas. No use tornillos u otros dispositivos de fijación que se extiendan hasta el interior del ducto y atrapen pelusa. No utilice cinta para conductos.
- No utilice un ducto de escape de plástico ni de aluminio.

Ducto de escape de metal rígido:

- Se recomienda para un mejor desempeño en el secado y para evitar que se aplaste o se tuerza.

Los ductos de escape de metal flexible son aceptables únicamente si se puede acceder a los mismos para limpiarlos:

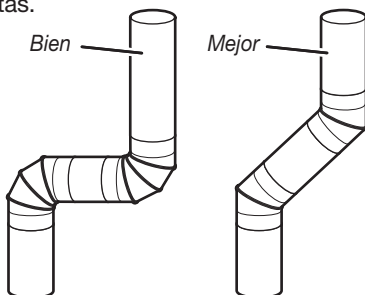
- Deberá extenderse por completo y tener soporte en la ubicación final de la secadora.
- Quite el exceso del mismo para evitar que se doble y se tuerza, lo cual podría dar lugar a una reducción del flujo de aire y a un rendimiento insuficiente.
- No instale un ducto de escape de metal flexible en paredes, techos o pisos encerrados.
- La longitud total no deberá exceder los 7¾ pies (2,4 m).

Una capota de ventilación debe tapar el ducto de escape para evitar el ingreso de roedores e insectos a la casa o el comercio.

La capota de ventilación debe estar por lo menos a 12" (305 mm) de distancia del piso o de cualquier objeto que pudiese estar en el trayecto del ducto de escape (como flores, rocas, arbustos o nieve).

Si se usa un sistema de ventilación existente, limpie la pelusa de toda la longitud del sistema y asegúrese de que la capota de ventilación no esté obstruida con pelusa. Reemplace cualquier ducto de escape de plástico o de hoja de metal por uno de metal rígido o de metal flexible.

Planifique la instalación a fin de usar el menor número posible de codos y vueltas.



Cuando use codos o haga vueltas, deje todo el espacio que sea posible. Doble el respiradero gradualmente para evitar que se doble. La salida de ventilación está ubicada en la parte posterior de la secadora, en el centro de la parte posterior.

El ducto de escape puede ser dirigido hacia arriba, hacia abajo, a la izquierda, derecha, detrás de la secadora o directamente hacia atrás por la parte posterior de esta. Consulte "Dimensiones del producto" en la sección "Requisitos de ubicación".

Renovación de aire:

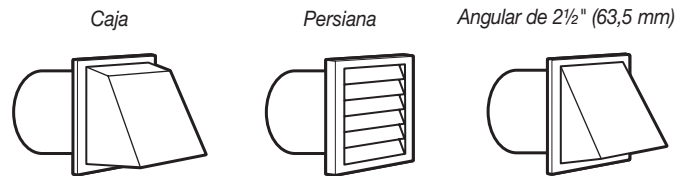
Aunque cada secadora de una sola carga debe contar con una abertura de aire hacia el exterior sin obstrucciones de 24 pulgadas² (154 cm²) (basado en 1 pulgada² [6,5 cm²] por cada 1000 B.T.U. [252 kcal]), las aberturas de renovación de aire comunes también son aceptables. Establezca aberturas comunes de manera que la renovación de aire se distribuya de manera uniforme a todas las secadoras. Tenga en cuenta que el área de cobertura debe aumentar en un 33 % para considerar el uso de reguladores o persianas en las aberturas. Además, las aberturas de renovación de aire no se deben instalar cerca de la ubicación donde los ductos de escape salen del edificio.

Longitud del sistema de ventilación

La longitud máxima del sistema de ventilación depende del tipo de ventilación que use, la cantidad de codos y el tipo de capota extractora. La longitud máxima de la ventilación rígida se muestra en el cuadro.

Largo máximo del ducto

Capotas de ventilación de 4" (102 mm)



Cuadro del sistema de ventilación (ducto de escape de metal rígido)

N.º de giros en 90°	Capota de caja y tipo persiana	Capota angular
0	64 pies (19,5 m)	58 pies (17,7 m)
1	54 pies (16,5 m)	48 pies (14,6 m)
2	44 pies (13,4 m)	38 pies (11,6 m)
3	35 pies (10,7 m)	29 pies (8,8 m)
4	27 pies (8,2 m)	21 pies (6,4 m)

Para los sistemas de ventilación que no se incluyan en el cuadro de especificaciones de ventilación, póngase en contacto con su distribuidor de piezas.

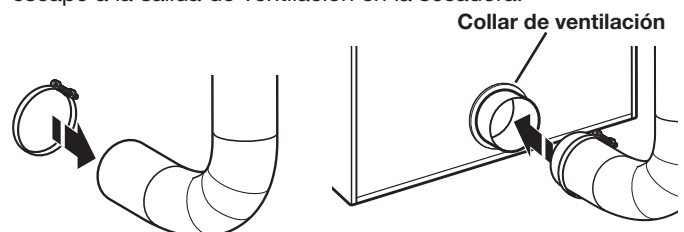
Deben preverse suficiente aire para la combustión y la ventilación. (Verifique las normativas y reglamentos vigentes.) Vea "Instrucciones para la instalación empotrada o en clóset" en la sección "Requisitos de ubicación".

Se prefiere una capota de salida de 4" (102 mm). Aun así, podrá usarse una capota de ventilación de salida de 2½" (64 mm).

Una salida de 2½" (64 mm) ocasiona mayor contrapresión que los otros tipos de capotas. Para una instalación permanente, se necesita un sistema fijo de ventilación.

Conexión del ducto de escape

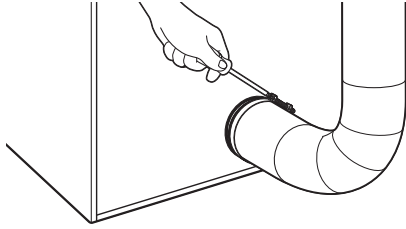
- Si se conecta a un ducto de escape existente, asegúrese de que esté limpio.
- Con una abrazadera de 4" (102 mm), conecte el ducto de escape a la salida de ventilación en la secadora.



NOTA: No quite el collar del ducto de ventilación.

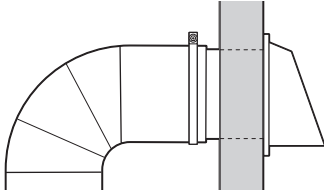
REQUISITOS DE INSTALACIÓN

3. Apriete la abrazadera de manguera con un destornillador Phillips.



4. Cerciórese de que el ducto de escape esté asegurado a la capota de ventilación con una abrazadera de 4" (102 mm).

5. Mueva la secadora a su posición final. No aplaste ni retuerza el ducto de escape. Asegúrese de que la secadora esté nivelada.



NOTA: Debe utilizarse un manómetro para probar que haya una ventilación adecuada. Mínimo: 0,01" (0,2 mm). Máximo: 0,6" (16 mm).

Para los sistemas de ventilación que no se cubren en la tabla de especificación de ventilación, consulte con su distribuidor de piezas.

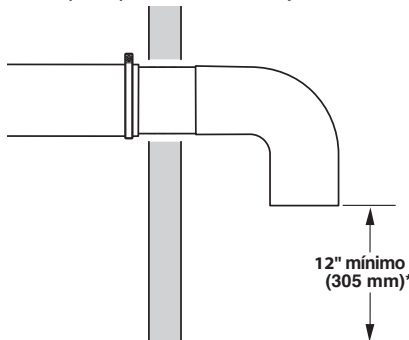
Si la secadora está instalada en un área cerrada tal como un dormitorio, baño o clóset, deberán tomarse las provisiones necesarias para que haya aire suficiente para la combustión y la ventilación. (Verifique las normativas y reglamentos vigentes.) Vea "Instrucciones para la instalación empotrada o en clóset" en la sección "Requisitos de ubicación".

Se prefiere una capota de salida de 4" (102 mm). Aun así, podrá usarse una capota de ventilación de salida de 2½" (64 mm).

Una salida de 2½" (64 mm) ocasiona mayor contrapresión que los otros tipos de capotas. Para una instalación permanente, se necesita un sistema fijo de ventilación.

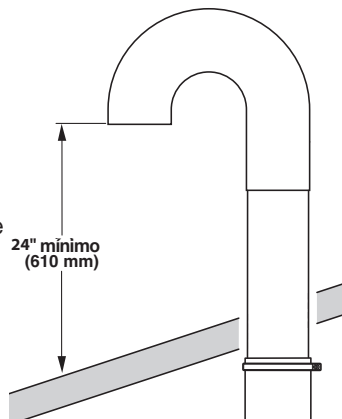
Si no puede usarse una capota de ventilación

El extremo de salida de un ducto de escape principal debe tener un codo que apunte hacia abajo.



*Espacio mínimo por encima de cualquier acumulación de nieve, hielo o desechos tales como hojas

Si el ducto de ventilación principal tiene una trayectoria vertical a través del techo en vez de la pared, instale un codo barrero de 180° en el extremo del ducto, a un mínimo de 2 pies (610 mm) por arriba del techo. La abertura en la pared o el techo deberá tener un diámetro de 1/2" (13 mm) mayor que el diámetro del ducto. El ducto debe centrarse en la abertura.



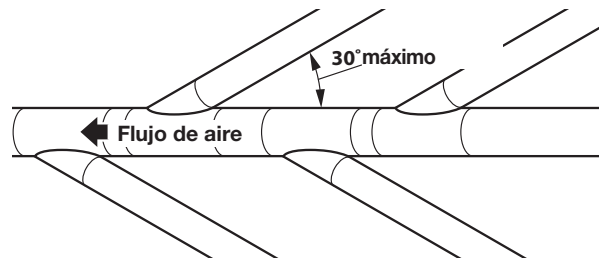
No instale una malla metálica ni una tapa sobre el extremo del ducto.

Ventilación de varias secadoras

- Puede usar un ducto principal para ventilar a un grupo de secadoras. El ducto principal deberá tener el tamaño adecuado para sacar 200 CFM (pies cúbicos por minuto) de aire por cada secadora. Pueden usarse filtros de pelusa de gran capacidad con el diseño adecuado en el ducto principal si se controlan y se limpian con frecuencia. La habitación en donde estén ubicadas las secadoras deberá tener una renovación de aire igual o mayor que los CFM de todas las secadoras en la habitación.
- Un juego de compuerta de contratiro se necesita y se encuentra disponible en su distribuidor, y se debe instalar en el ducto de cada secadora, para evitar que el aire que ya se ha sacado regrese a las secadoras, así como para mantener el ducto de escape equilibrado con el ducto principal. Se requieren aberturas de aire de retorno sin obstrucciones.

Cada ducto debe unirse al ducto principal en un ángulo que apunte en la dirección del flujo de aire. Los conductos que entran del lado opuesto deben alternarse para reducir la interferencia del aire de salida con los otros conductos.

El ángulo máximo de cada ducto que entra en el ducto principal deberá ser no más de 30°.



Mantenga las aberturas de aire libres de gases de los líquidos de limpieza en seco. Los gases producen ácidos que pueden dañar las secadoras y los artículos que estén secándose cuando pasan por las unidades de calentamiento de las secadoras.

Debe haber una cubierta de limpieza en el conducto principal para realizar una limpieza periódica del sistema de ventilación.

Requisitos de instalación de la secadora a gas

Requisitos de ubicación

⚠️ ADVERTENCIA



Peligro de Explosión

Mantenga los materiales y vapores inflamables, tales como la gasolina, alejados de la secadora.

No instale en un garage.

No seguir estas instrucciones puede ocasionar la muerte, explosión o incendio.

IMPORTANTE: No instale ni almacene la secadora en un lugar expuesto al agua o el clima. Usted es responsable de su correcta instalación.

Necesitará lo siguiente:

- Un tomacorriente eléctrico con conexión a tierra ubicado a una distancia máxima de 6 pies (1,8 m) del lugar donde el cable de alimentación está fijado a la parte trasera de la secadora. Consulte "Requisitos eléctricos".
- Un piso nivelado con un declive máximo de 1" (25 mm) debajo de la secadora completa. No se recomienda la instalación de la secadora en superficies de suelo suave, como alfombras o superficies con soporte de espuma.

Espacios libres en la instalación de la secadora a gas

- El lugar debe ser lo suficientemente grande para permitir que la puerta de la secadora se abra completamente.
- Debe considerarse espacio adicional para facilitar la instalación y el mantenimiento. La puerta se abre más de 180°.
- Se podrían necesitar espacios libres adicionales para las molduras de la pared, de la puerta y del piso.
- Se recomienda dejar un espacio adicional de 1" (25 mm) en todos los lados de la secadora para reducir la transferencia de ruido.

Cuando instale una secadora a gas:

IMPORTANTE: Respete todas las normativas y reglamentos vigentes.

- Verifique los requisitos de los códigos: algunas normativas limitan, o no permiten, la instalación de la secadora en garajes, armarios empotrados o dormitorios. Comuníquese con el inspector de construcciones de su localidad.
- Asegúrese de que los bordes inferiores del armario, además de los lados de la parte posterior e inferior de la secadora, estén libres de obstrucciones, para permitir el espacio adecuado de aberturas para la combustión de aire. Consulte a continuación el apartado "Instrucciones para la instalación empotrada o en armario empotrado" para ver los requisitos mínimos de espacio.

Instrucciones para la instalación empotrada y en clóset

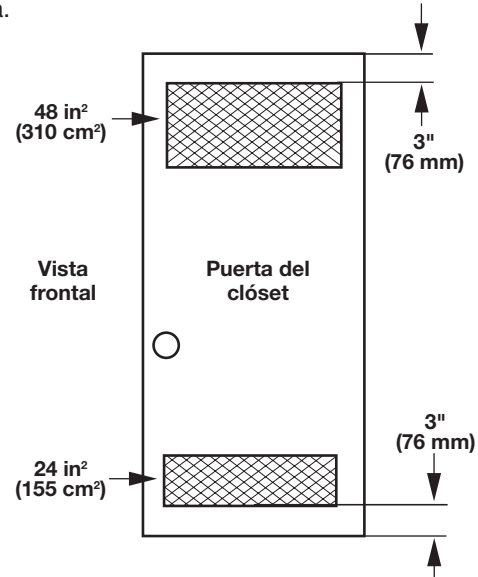
Esta secadora podrá instalarse en un lugar empotrado o en un armario empotrado. Para la instalación empotrada o en armario empotrado, los espacios libres mínimos figuran en la etiqueta de advertencia ubicada en la parte posterior de la secadora o en la sección "Dimensiones/espacios libres".

El espacio de instalación es en pulgadas (centímetros) y es el mínimo permitido. Debe considerarse espacio adicional para facilitar la instalación, el mantenimiento y el cumplimiento de las normativas y reglamentos locales.

Si se ha instalado la puerta del clóset, se requieren aberturas mínimas de ventilación sin obstrucciones en la parte superior e inferior de la puerta. Se aceptan puertas tipo persianas con aberturas de aire equivalentes.

La secadora debe ventilarse al exterior.

No podrá instalarse ningún otro aparato que use combustible en el mismo armario empotrado en que se encuentre la secadora.



REQUISITOS DE INSTALACIÓN

Requisitos eléctricos – Secadora a gas

⚠ ADVERTENCIA



Peligro de Choque Eléctrico

Conecte a un contacto de pared de conexión a tierra de 3 terminales.

No quite la terminal de conexión a tierra.

No use un adaptador.

No use un cable eléctrico de extensión.

No seguir estas instrucciones puede ocasionar la muerte, incendio o choque eléctrico.

IMPORTANTE: La secadora debe tener una conexión de electricidad a tierra de acuerdo con los códigos y las ordenanzas locales o, en ausencia de códigos locales, con el Código nacional de electricidad, ANSI/NFPA 70, la última edición, o el Código canadiense de electricidad, CSA C22.1. Si los códigos lo permiten y se emplea un cable de conexión a tierra separado, es recomendable que un instalador eléctrico competente determine si la ruta de conexión a tierra es adecuada.

Puede obtener una copia de las normas de los códigos antes indicados en:

National Fire Protection Association
One Batterymarch Park, Quincy, MA 02269

CSA International
8501 East Pleasant Valley Road
Cleveland, Ohio 44131-5575

- No conecte la descarga a tierra a un tubo de gas.
- No coloque un fusible en el circuito neutro o de conexión a tierra.
- Se necesita un circuito eléctrico de 120 V, 60 Hz, CA solamente, de 15 A o 20 A y protegido con fusibles. También se recomienda usar un fusible retardador o disyuntor. Asimismo se recomienda el uso de un circuito independiente que preste servicio únicamente a esta secadora.
- Esta secadora viene equipada con un cable eléctrico dotado de un enchufe de 3 terminales con conexión a tierra.
- Para reducir al mínimo los posibles choques eléctricos, el cable se debe enchufar en un tomacorriente apropiado de pared de 3 terminales, conectado a tierra de acuerdo con los códigos y normas locales. Si no hay disponible un tomacorriente equivalente, es responsabilidad y obligación personal del cliente el hacer instalar un tomacorriente debidamente conectado a tierra por un electricista calificado.
- Si los códigos lo permiten y se emplea un cable de conexión a tierra separado, se recomienda que un electricista competente determine si la trayectoria de descarga a tierra es adecuada.
- Si no está seguro de que la conexión a tierra de la secadora sea la adecuada, verifique con un electricista competente.

Conexión a tierra de la secadora a gas

INSTRUCCIONES PARA LA CONEXIÓN A TIERRA

- Para la conexión de una secadora mediante cable eléctrico conectado a tierra:

Esta secadora debe estar conectada a tierra. En el caso de funcionamiento defectuoso o avería, la conexión a tierra reducirá el riesgo de choque eléctrico al proporcionar una vía de menor resistencia para la corriente eléctrica. Esta secadora está equipada con un cable que cuenta con un conductor para la conexión a tierra del equipo y un enchufe de conexión a tierra. El enchufe debe conectarse en un contacto apropiado, que esté debidamente instalado y conectado a tierra de acuerdo con todos los códigos y ordenanzas locales.

ADVERTENCIA: La conexión indebida del conductor para la conexión a tierra del equipo puede ocasionar un riesgo de choque eléctrico. Verifique con un electricista, representante o personal de servicio técnico calificado para asegurarse de que la conexión a tierra de la secadora sea apropiada. No modifique el enchufe proporcionado con la secadora. Si no encaja en el contacto, contrate un electricista calificado para que instale un contacto adecuado.

GUARDE ESTAS INSTRUCCIONES

Suministro de gas

⚠ ADVERTENCIA



Peligro de Explosión

Use una línea de suministro de gas nueva con aprobación CSA Internacional.

Instale una válvula de cierre.

Apriete firmemente todas las conexiones de gas.

Si se conecta a un suministro de gas propano, la presión no debe exceder una columna de agua de 330 mm (13 pulgada) y debe ser verificada por una persona calificada.

Ejemplos de una persona calificada incluyen: personal de servicio del sistema de calefacción con licencia, personal autorizado de la compañía de gas, y personal autorizado para dar servicio.

No seguir estas instrucciones puede ocasionar la muerte, explosión o incendio.

REQUISITOS DE INSTALACIÓN

IMPORTANTE: Respete todas las normativas y reglamentos vigentes. Esta instalación debe hacerse de acuerdo con todos los códigos y ordenanzas locales. Si no hay códigos locales, la instalación deberá hacerse de acuerdo al Código nacional estadounidense, el Código Nacional de Gas Combustible, ANSI Z223.1/NFPA 54 o CAN/CSA B149.

Puede obtener una copia de las normas de los códigos antes indicados en:

National Fire Protection Association
One Batterymarch Park, Quincy, MA 02269
CSA International
8501 East Pleasant Valley Road
Cleveland, Ohio 44131-5575

El diseño de esta secadora ha sido certificado por CSA International para su uso en altitudes de hasta 10.000 pies (3.048 m) sobre el nivel del mar en la clasificación B.T.U. indicada en la placa del modelo/serie. No se requieren ajustes de la entrada del quemador cuando se usa la secadora hasta esta altitud.

Si se instala a un nivel superior a los 10.000 pies (3.048 m) de altitud, se requiere una reducción de categoría de B.T.U. del cuatro por ciento (4 %) del quemador, que se muestra en la placa del número de modelo/serie, por cada incremento de 1000 pies (305 m) de altitud. Para obtener asistencia para convertir el aparato a otros tipos de gas y/o instalar el aparato a una altitud superior a 10.000 pies (3.048 m), póngase en contacto con su compañía de servicio más cercana.

La presión de suministro de gas requerida para hacer funcionar esta secadora es, como mínimo, 5,2" de columna de agua (1,30 kPa) y un máximo de 10,5" de columna de agua (2,62 kPa).

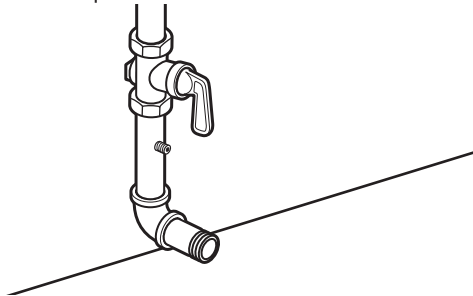
Tipo de gas

Esta secadora está equipada para uso con gas natural. Su diseño está certificado por CSA International para gases propano y butano con la conversión apropiada. No se deberá hacer intento alguno para convertir la secadora del gas especificado en la placa indicadora de la serie/clasificación para utilizar un gas distinto sin consultar con el abastecedor de gas. La conversión deberá llevarla a cabo un técnico de servicio calificado. El número de parte del kit de conversión de gas es W10402145. Este número también puede encontrarse en una etiqueta en la base del quemador de la válvula de gas.

Línea de suministro de gas

Método recomendado

Provea una línea de suministro de gas de tubería rígida (IPS) de 1/2" (13 mm) hacia la ubicación de la secadora. Pueden usarse compuestos para uniones de tubería que sean resistentes a la acción del gas propano. No utilice cinta TEFLON[†]. Con gas propano, el tamaño de la tubería o los tubos puede ser de 1/2" (13 mm) como mínimo. Por lo general, los proveedores de gas propano determinan el tamaño y los materiales que deben usarse en el sistema.



Prueba de presión del suministro de gas

Se debe instalar una derivación tapada NTP de por lo menos 1/8" (3 mm), accesible para las pruebas de calibre, inmediatamente debajo de la válvula de cierre instalada que va a la secadora (como se muestra arriba). Se debe desconectar la secadora del sistema de tubería del suministro de gas, siempre que se hagan pruebas de presión de dicho sistema a presiones de prueba que excedan 1/2" psig (352 kg/m²). Se debe cerrar la válvula de cierre del sistema para aislar la secadora del sistema de tubería de suministro de gas durante cualquier prueba de

[†]TEFLON es una marca comercial registrada de Chemours.

presión efectuada en el sistema con presiones de prueba de 1/2" psig (352 kg/m²) o menos.

Presiones esperadas para el suministro de gas

	Pulgadas de agua mínimas	Pulgadas de agua máximas
Gas natural	5,2	10,5
Gas propano	8	13

Método opcional

El suministro de gas también se puede conectar usando tubería aprobada de cobre o aluminio de 3/8" (10 mm). Si la longitud total de la línea de suministro es mayor que 20 pies (6,1 m), deberá usarse tubos más largos.

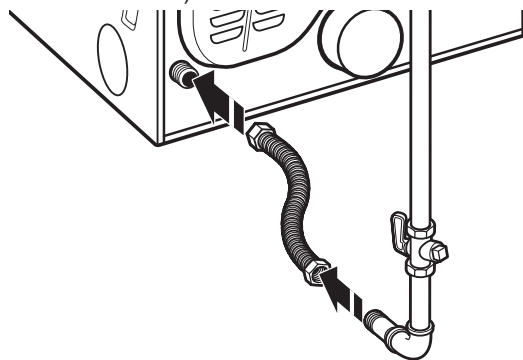
Si va a usar gas natural, no use tubería de cobre. Pueden usarse compuestos para uniones de tubería que sean resistentes a la acción del tipo de gas provisto.

Se requiere una válvula de cierre

La línea de suministro debe estar equipada con una válvula de cierre manual instalada a una distancia menor de 6 pies (1,8 m) de la secadora, de acuerdo al Código nacional de gas combustible, ANSI Z223.1. Esta válvula debe encontrarse en la misma habitación que la secadora. Debe estar en una ubicación que permita abrir y cerrar con facilidad. No bloquee el acceso a la válvula de cierre. En Canadá, se deberá instalar una válvula de cierre manual de acuerdo con los códigos B149 de instalación CAN/CGA B149.1 y CAN/CGA B149.2.

Conector flexible de metal para el aparato

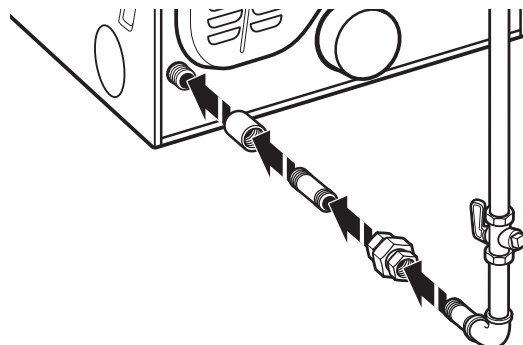
Se recomienda usar una nueva línea flexible de gas de acero inoxidable, cuyo diseño esté certificado por CSA International, para conectar la secadora a la línea de suministro de gas. (El tubo de gas, que se extiende a través de la parte posterior inferior de la secadora, está suministrado con una rosca macho para tubería de 3/8".)



NOTA: No tuerza ni dañe la línea de gas flexible de acero inoxidable cuando mueva la secadora.

Conexión de tubería rígida

La conexión de tubería rígida requiere una combinación de accesorios de tubería para obtener una conexión en línea hacia la secadora.



REQUISITOS DE INSTALACIÓN

Requisitos de instalación de la secadora eléctrica

Requisitos de ubicación

⚠ ADVERTENCIA



Peligro de Explosión

Mantenga los materiales y vapores inflamables, tales como la gasolina, alejados de la secadora.

No instale en un garage.

No seguir estas instrucciones puede ocasionar la muerte, explosión o incendio.

IMPORTANTE: No instale ni almacene la secadora en un lugar expuesto al agua o el clima. Usted es responsable de su correcta instalación.

Necesitará lo siguiente:

- Un tomacorriente eléctrico con conexión a tierra ubicado a una distancia máxima de 6 pies (1,8 m) del lugar donde el cable de alimentación está fijado a la parte trasera de la secadora. Consulte "Requisitos eléctricos".
- Un piso nivelado con un declive máximo de 1" (25 mm) debajo de la secadora completa. No se recomienda la instalación de la secadora en superficies de suelo suave, como alfombras o superficies con soporte de espuma.

Espacios libres en la instalación de la secadora eléctrica

- El lugar debe ser lo suficientemente grande para permitir que la puerta de la secadora se abra completamente.
- Debe considerarse espacio adicional para facilitar la instalación y el mantenimiento. La puerta se abre más de 180°.
- Se podrían necesitar espacios libres adicionales para las molduras de la pared, de la puerta y del piso.
- Se recomienda dejar un espacio adicional de 1" (25 mm) en todos los lados de la secadora para reducir la transferencia de ruido.

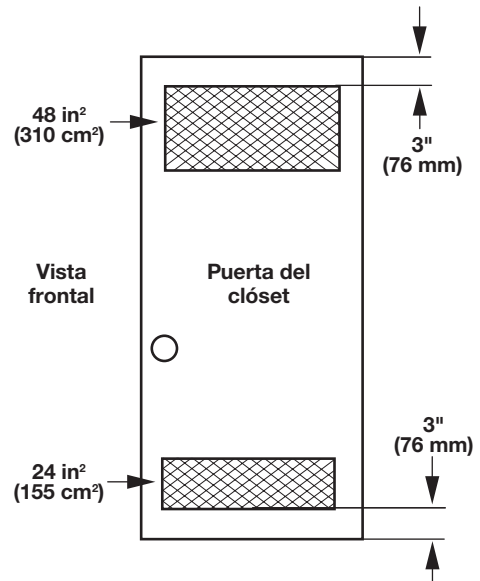
Instrucciones para la instalación empotrada y en clóset

Esta secadora podrá instalarse en un lugar empotrado o en un armario empotrado. Para la instalación empotrada o en armario empotrado, los espacios libres mínimos figuran en la etiqueta de advertencia ubicada en la parte posterior de la secadora o en la sección "Dimensiones/espacios libres".

El espacio de instalación es en pulgadas (centímetros) y es el mínimo permitido. Debe considerarse espacio adicional para facilitar la instalación, el mantenimiento y el cumplimiento de las normativas y reglamentos locales.

Si se ha instalado la puerta del clóset, se requieren aberturas mínimas de ventilación sin obstrucciones en la parte superior e inferior de la puerta. Se aceptan puertas tipo persianas con aberturas de aire equivalentes.

La secadora debe ventilarse al exterior.



Requisitos eléctricos - Solo para EE. UU.

Es su responsabilidad:

- Comunicarse con un instalador eléctrico calificado.
- Asegurarse de que la conexión eléctrica sea adecuada y de conformidad con el Código Nacional Eléctrico, ANSI/NFPA 70 (última edición) y con todos los códigos y ordenanzas locales.
- El Código Nacional Eléctrico requiere una conexión de suministro de energía eléctrica de 4 cables para aquellos hogares construidos después de 1996, para los circuitos de secadora que se hayan reformado después de 1996 y todas las instalaciones de casas rodantes.
- Puede obtener una copia de las normas de los códigos antes indicados en: National Fire Protection Association, One Batterymarch Park, Quincy, MA 02269.
- Proveer el suministro eléctrico requerido de 3 o 4 hilos, monofásico, de 120 V/240 V, 60 Hz, CA solamente (o un suministro eléctrico de 3 o 4 hilos, de 120 V/208 V, si se especifica en la placa indicadora de clasificación/de la serie) en un circuito separado de 30 A, protegido con fusibles en ambos lados de la línea. Se recomienda un fusible retardador o un cortacircuitos. Conectar a un circuito derivado individual. No coloque un fusible en el circuito neutro o de conexión a tierra.
- No utilice un cable de extensión.
- Si los códigos lo permiten y se emplea un cable de conexión a tierra separado, se recomienda que un electricista competente determine si la trayectoria de descarga a tierra es adecuada.

Requisitos eléctricos - Solo para EE. UU. (cont.)

Conexión eléctrica

Para instalar su secadora adecuadamente, usted debe determinar el tipo de conexión eléctrica que va a usar y seguir las instrucciones que aquí se proveen para el caso.

- Esta secadora ha sido manufacturada lista para ser instalada en una conexión de suministro de energía eléctrica de 3 cables. El conductor neutro de conexión a tierra está permanentemente conectado al conductor neutro (cable blanco), dentro de la secadora. Si la secadora está instalada con una conexión de suministro eléctrico de 4 hilos, el conductor neutro de conexión a tierra se debe quitar del conector de conexión a tierra exterior (tornillo verde) y se debe ajustar debajo de la terminal neutra (cable central o blanco) del bloque de terminal. Cuando el conductor neutro de conexión a tierra esté ajustado debajo de la terminal neutra (cable central o blanco) del bloque de terminal, el gabinete de la secadora queda aislado del conductor neutro.
- Si los códigos locales no permiten la conexión de un cable neutro de conexión a tierra al cable neutro, consulte la sección "Conexión opcional de 3 cables".
- Deberá usarse una conexión con suministro eléctrico de 4 hilos cuando el aparato esté instalado en una ubicación en la cual esté prohibida la conexión a tierra a través del conductor neutro. Está prohibido hacer la puesta a tierra a través del conductor neutro para (1) las nuevas instalaciones de circuito derivado y (2) las áreas donde los códigos locales prohíben la conexión a tierra a través de conductores neutros.

Conexión a tierra de la secadora eléctrica

INSTRUCCIONES PARA LA CONEXIÓN A TIERRA

- Para la conexión de una secadora mediante cable eléctrico conectado a tierra:

Esta secadora debe estar conectada a tierra. En el caso de funcionamiento defectuoso o avería, la conexión a tierra reducirá el riesgo de choque eléctrico al proporcionar una vía de menor resistencia para la corriente eléctrica. Esta secadora está equipada con un cable que cuenta con un conductor para la conexión a tierra del equipo y un enchufe de conexión a tierra. El enchufe debe conectarse en un contacto apropiado, que esté debidamente instalado y conectado a tierra de acuerdo con todos los códigos y ordenanzas locales.

ADVERTENCIA: La conexión indebida del conductor para la conexión a tierra del equipo puede ocasionar un riesgo de choque eléctrico. Verifique con un electricista, representante o personal de servicio técnico calificado para asegurarse de que la conexión a tierra de la secadora sea apropiada. No modifique el enchufe proporcionado con la secadora. Si no encaja en el contacto, contrate un electricista calificado para que instale un contacto adecuado.

GUARDE ESTAS INSTRUCCIONES

Cable eléctrico de la secadora eléctrica

⚠ ADVERTENCIA



Peligro de Incendio

Use un cable de suministro eléctrico nuevo de 30 amperes que esté en la lista de UL.

Use un protector de cables que esté en la lista de UL.

Desconecte el suministro eléctrico antes de hacer las conexiones eléctricas.

Conecte el alambre neutro (el blanco o el del centro) al terminal central.

El alambre de tierra (el verde o el no aislado) se debe conectar con el conector verde de tierra.

Conecte los 2 alambres de suministro restantes con las 2 terminales restantes (las doradas).

Apriete firmemente todas las conexiones eléctricas.

No seguir estas instrucciones puede ocasionar la muerte, incendio, o choque eléctrico.

Si emplea un cable eléctrico:

Use un juego de cable eléctrico que esté en la lista de UL, para ser usado con secadoras de ropa. El juego deberá incluir:

- Un cable de suministro eléctrico de 30 A, que esté en la lista de UL, de 120/240 V, como mínimo. El cable deberá ser del tipo SRD o SRDT, y tener por lo menos 4 pies (1,22 m) de largo. Los cables que lo conectan a la secadora deben acabar en terminales de anillo o de horquilla en forma de "U" con los extremos hacia arriba.
- Protector de cables que esté en la lista de UL.

Si el contacto de pared luce como este:



Tomacorriente de 4 hilos (14R-30R)

Entonces elija un cable de suministro eléctrico de 4 alambres con terminales de anillo o de horquilla y con protector de cables que esté en la lista de UL. El cable eléctrico de 4 hilos, de por lo menos 4 pies (1,22 m) de largo, debe tener cuatro hilos de cobre de calibre 10 y encajar en un tomacorriente para 4 hilos de NEMA Tipo 14R-30R. El cable de conexión a tierra (conductor de conexión a tierra) debe ser verde o desnudo. Se deberá indicar el conductor neutro con una cubierta blanca.

Si el contacto de pared luce como este:




Tomacorriente de 3 hilos (10R-30R)

Entonces elija un cable de suministro eléctrico de 3 alambres con terminales de anillo o de horquilla y con protector de cables que esté en la lista de UL. El cable eléctrico de 3 hilos, de por lo menos 4 pies (1,22 m) de largo, debe tener 3 hilos de cobre de calibre 10 y encajar en un tomacorriente para 3 hilos de NEMA Tipo 10R-30R.

REQUISITOS DE INSTALACIÓN

Cable directo

⚠ ADVERTENCIA



Peligro de Incendio

Utilice alambre de cobre de calibre 10.

Use un protector de cables que esté en la lista de UL.

Desconecte el suministro eléctrico antes de hacer las conexiones eléctricas.

Conecte el alambre neutro (el blanco o el del centro) a la terminal central (plateado).

El alambre de tierra (el verde o el no aislado) se debe conectar con el conector verde de tierra.

Conecte los 2 alambres de suministro restantes con las 2 terminales restantes (las doradas).

Apriete firmemente todas las conexiones eléctricas.

No seguir estas instrucciones puede causar la muerte, incendio o choque eléctrico.

Si hace la conexión con cableado directo:

El cable eléctrico debe ser igual al suministro eléctrico (de 4 hilos o de 3 hilos) y debe ser:

- Cable blindado flexible o cable de cobre forrado no metálico (con cable de conexión a tierra), cubierto con un conducto metálico flexible. Todos los cables conductores de corriente deben estar aislados.
- Alambre de cobre sólido de calibre 10 (no utilice aluminio).
- Al menos 5 pies (1,52 m) de longitud.

Requisitos eléctricos – Solo para Canadá

⚠ ADVERTENCIA



Peligro de Choque Eléctrico

Conecte a un contacto de pared de conexión a tierra de 4 terminales.

No seguir estas instrucciones puede ocasionar la muerte, incendio o choque eléctrico.

- No use un cable eléctrico de extensión.

Si está usando un cable de suministro eléctrico de repuesto, se le recomienda usar el Cable de suministro de energía de repuesto, Pieza número 8579325. Para obtener más información, consulte los números de servicio ubicados en la sección “Ayuda o servicio técnico”.

Es su responsabilidad:

- Comunicarse con un instalador eléctrico calificado.
- Asegurarse de que la conexión eléctrica sea adecuada y de conformidad con el Código eléctrico canadiense, C22.1, última edición y con todos los códigos locales. Puede obtener una copia de todas las normas arriba indicadas en: Canadian Standards Association, 178 Rexdale Blvd., Toronto, ON M9W 1R3 CANADÁ.
- Proveer el suministro eléctrico requerido de 4 hilos, monofásico, de 120 V/240 V, 60 Hz, CA solamente en un circuito separado de 30 A, protegido con fusibles en ambos lados de la línea. Se recomienda un fusible retardador o un cortacircuitos. Conectar a un circuito derivado individual.
- La secadora está equipada con un cable de suministro eléctrico certificado por CSA International para ser enchufado en un tomacorriente de pared estándar tipo 14-30R. El cable tiene 5 pies (1,52 m) de largo. Cerciñese que haya un tomacorriente de pared al alcance de la ubicación final de la secadora”.



Tomacorriente de 4 hilos (14-30R)

INSTRUCCIONES PARA LA CONEXIÓN A TIERRA

- Para la conexión de una secadora mediante cable eléctrico conectado a tierra:
Esta secadora debe estar conectada a tierra. En el caso de funcionamiento defectuoso o avería, la conexión a tierra reducirá el riesgo de choque eléctrico al proporcionar una vía de menor resistencia para la corriente eléctrica. Esta secadora está equipada con un cable que cuenta con un conductor para la conexión a tierra del equipo y un enchufe de conexión a tierra. El enchufe debe conectarse en un contacto apropiado, que esté debidamente instalado y conectado a tierra de acuerdo con todos los códigos y ordenanzas locales.

ADVERTENCIA: La conexión indebida del conductor para la conexión a tierra del equipo puede ocasionar un riesgo de choque eléctrico. Verifique con un electricista, representante o personal de servicio técnico calificado para asegurarse de que la conexión a tierra de la secadora sea apropiada. No modifique el enchufe proporcionado con la secadora. Si no encaja en el contacto, contrate un electricista calificado para que instale un contacto adecuado.

GUARDE ESTAS INSTRUCCIONES

INSTALACIÓN DE LAS PATAS NIVELADORAS, TRAGAMONEDAS Y CAJA DE MONEDAS

El mecanismo del tragamonedas, el bloqueo del panel de control y la llave, así como el seguro de la caja de monedas y la llave, no están incluidos pero pueden obtenerse a través de fuentes industriales comunes. Deberá usarse una extensión de tragamonedas en este modelo, la cual puede comprarse con el distribuidor de tragamonedas.

⚠ ADVERTENCIA

Peligro de Peso Excesivo

Use dos o más personas para mover e instalar la secadora.

No seguir esta instrucción puede ocasionar una lesión en la espalda u otro tipo de lesiones.

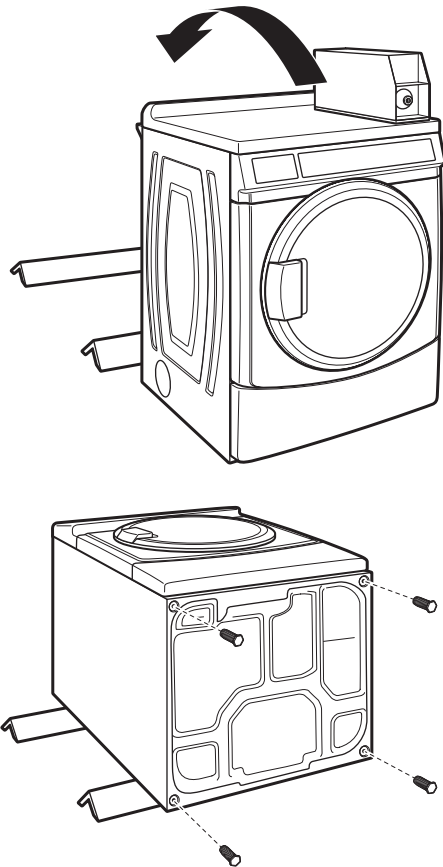
1. Prepare la secadora para las patas niveladoras

NOTA: Deslice la secadora sobre un pedazo de cartón o madera dura antes de moverla para no dañar el revestimiento del suelo.

Con la ayuda de dos o más personas, mueva la secadora al lugar deseado para su instalación.

Retire la cinta de las esquinas frontales de la secadora. Abra la secadora y saque los paquetes que contienen la documentación y las piezas. Limpie el interior de la secadora con un paño húmedo para quitar residuos de polvo.

Tome dos esquinales de cartón de la caja de la secadora y ubíquelos en el suelo en la parte de atrás de la secadora. Sujete con firmeza el cuerpo de la secadora y colóquela sobre su parte posterior, encima de los esquinales de cartón.

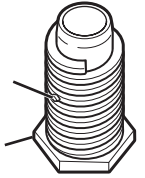


2. Atornille las patas niveladoras

Examine las patas niveladoras y localice la marca en forma de diamante. Atornille las patas en los orificios con la mano. Use una llave ajustable o una llave de cubo de cabeza hexagonal de 1" (25 mm) para terminar de girar las patas hasta que la marca en forma de diamante no quede visible. A continuación, encaje una cuña sobre cada pata. Para pisos con pendientes más pronunciadas, puede encontrar un pie nivelador más largo, número de pieza 279810.

Marca en forma de diamante

Pie

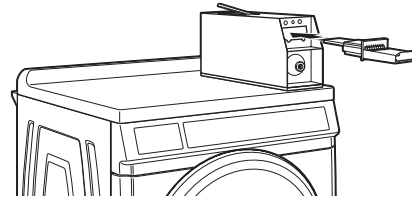


Para proteger el suelo, use un pedazo de cartón grande de la caja de la secadora. Coloque la secadora en posición vertical sobre el cartón. Deslice la secadora hasta que quede cerca de su ubicación final. Deje suficiente espacio para la conexión eléctrica y para conectar el ducto de escape.

En algunos modelos: La caja del contador aloja el mecanismo del tragamonedas instalado de fábrica, la cerradura y la llave de la puerta de servicio, y la cerradura y la llave del tragamonedas.

3. Instalación del tragamonedas y la caja de monedas

Retire la puerta de servicio de la caja del contador levantándola por la parte posterior. Instale el dispositivo para aceptar el dinero. (Consulte las instrucciones del fabricante para ver la instalación adecuada.)



Reemplace la puerta de servicio de la caja del contador. Coloque la cámara acorazada con la cerradura y la llave en la abertura de la caja del contador.

Quite el cartón o la madera que se encuentra debajo de la secadora. Regule las patas de la secadora hacia arriba o hacia abajo hasta que esté nivelada.

NIVELACIÓN

Una nivelación adecuada de su secadora reduce el exceso de ruido y vibración.

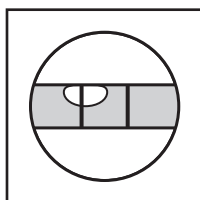
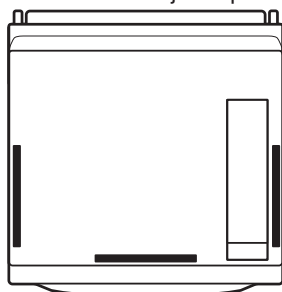
⚠ ADVERTENCIA

Peligro de Peso Excesivo

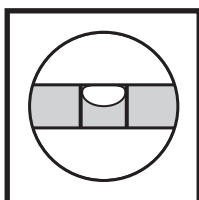
Use dos o más personas para mover e instalar la secadora.

No seguir esta instrucción puede ocasionar una lesión en la espalda u otro tipo de lesiones.

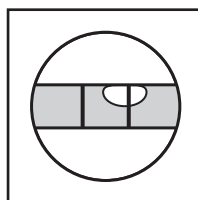
1. Retire el cartón que está debajo de la secadora. Coloque un nivel en los bordes superiores de la secadora, revisando cada lado y el frente. Si no está nivelada, incline la secadora y ajuste las patas hacia arriba o hacia abajo. Repita si es necesario.



No está nivelada

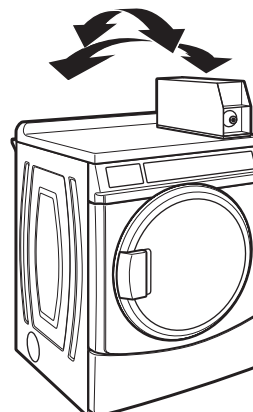


NIVEL



No está nivelada

2. Tome la secadora desde arriba y muévela de adelante hacia atrás, cerciorándose de que todas las patas estén firmes en el suelo. Repítalo, balanceando la secadora de un lado al otro. Si la secadora se mueve, ajuste las patas niveladoras.



3. Si la secadora no está nivelada, gire la pata niveladora en dirección contraria a las manecillas del reloj para bajar la secadora o en sentido opuesto para levantarla. Vuelva a verificar la nivelación de la secadora y que las cuatro patas estén firmemente en contacto con el suelo. Repita el procedimiento según sea necesario.

CONSEJO ÚTIL: Podría elevar la parte delantera de la secadora aproximadamente 4" (102 mm) con un bloque de madera o un objeto similar que soporte su peso.

INSTRUCCIONES DE INSTALACIÓN – SECADORA A GAS

Conexión del suministro de gas

⚠ ADVERTENCIA



Peligro de Explosión

Use una línea de suministro de gas nueva con aprobación CSA Internacional.

Instale una válvula de cierre.

Apriete firmemente todas las conexiones de gas.

Si se conecta a un suministro de gas propano, la presión no debe exceder una columna de agua de 330 mm (13 pulgada) y debe ser verificada por una persona calificada.

Ejemplos de una persona calificada incluyen:
personal de servicio del sistema de calefacción con licencia,
personal autorizado de la compañía de gas, y
personal autorizado para dar servicio.

No seguir estas instrucciones puede ocasionar la muerte, explosión o incendio.

1. Quite la tapa roja del tubo de gas de la parte posterior de la secadora.
2. Conecte el suministro de gas a la secadora. Utilice un compuesto de rosca de tuberías aprobado para el tipo de gas suministrado. Si se usa tubería flexible de metal, asegúrese de que no hayan partes retorcidas.
Si es necesario para el servicio, abra el panel frontal inferior de servicio usando una llave de tuercas de 1/4" para quitar los 2 tornillos de cabeza hexagonal de la parte inferior del panel. Después levante el panel mientras jala y saca la parte inferior de la secadora.
3. Abra la válvula de cierre de la línea de suministro de gas y cerciórese de que la secadora tenga su propio suministro de gas abierto.
4. Pruebe todas las conexiones aplicando con un pincel una solución aprobada para detección de fugas que no sea corrosiva. Si hay fugas, se observarán burbujas. Elimine cualquier fuga que encuentre.

CONEXIONES ELÉCTRICAS DE LA SECADORA ELÉCTRICA

Opciones de conexión

Cable eléctrico

Receptáculo de 4 cables (NEMA tipo 14R-30R)
Consulte la sección "Conexión por cable de suministro eléctrico".

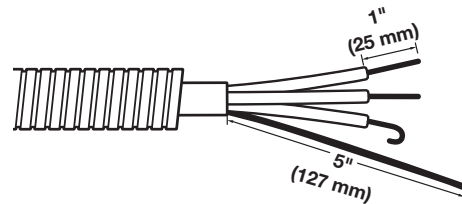


Receptáculo de 3 cables (NEMA tipo 10R-30R)
Consulte la sección "Conexión por cable de suministro eléctrico".

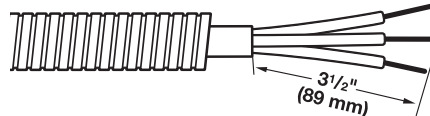


Cable directo

Conexión por cable directo de 4 cables
Consulte la sección "Conexión por cable directo".



Conexión por cable directo de 3 cables
Consulte la sección "Conexión por cable directo".



NOTA: Si los códigos locales no permiten la conexión de un conductor para conexión a tierra de la carcasa al cable neutro, consulte la sección "Conexión de 3 hilos: opcional". Esta conexión se puede utilizar con un cable eléctrico o un cable directo.

Conexión del cable de alimentación

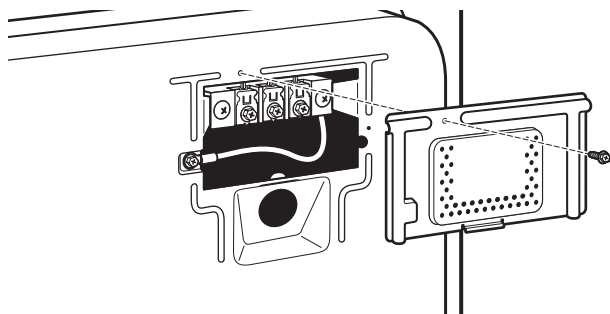
⚠ ADVERTENCIA



Peligro de Incendio

- Use un cable de suministro eléctrico nuevo de 30 amperes que esté en la lista de UL.
- Use un protector de cables que esté en la lista de UL.
- Desconecte el suministro eléctrico antes de hacer las conexiones eléctricas.
- Conecte el alambre neutro (el blanco o el del centro) al terminal central (plateado).
- El alambre de tierra (el verde o el no aislado) se debe conectar con el conector verde de tierra.
- Conecte los 2 alambres de suministro restantes con las 2 terminales restantes (las doradas).
- Apriete firmemente todas las conexiones eléctricas.
- No seguir estas instrucciones puede ocasionar la muerte, incendio, o choque eléctrico.

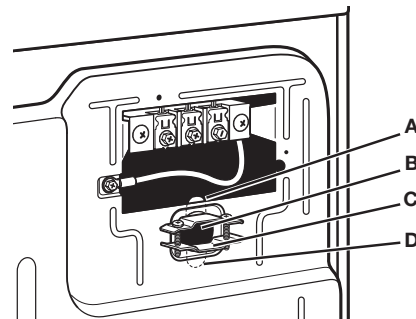
Quite la tapa del bloque de terminal



Quite el tornillo de sujeción y la tapa del bloque de terminal.

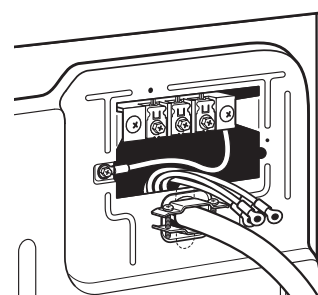
Protector del cable de suministro eléctrico

1. Inserte el protector de cables.



Quite los tornillos de un protector de cables de 3/4" (19 mm) con homologación UL. Coloque las lengüetas de las dos secciones de la abrazadera (C) en el orificio que está debajo de la abertura del bloque de terminal (B) de manera que una lengüeta esté apuntando hacia arriba (A) y la otra esté apuntando hacia abajo (D), y sujételas en su lugar. Apriete los tornillos del protector de cables solo lo suficiente para mantener las dos secciones de la abrazadera (C) juntas.

2. Inserte el cable eléctrico en el protector de cables.



Haga pasar el cable eléctrico a través del protector de cables. Asegúrese de que el aislamiento de cables del cable eléctrico esté dentro del protector de cables. El protector de cables deberá encajar de manera ajustada con el gabinete de la secadora y estar en posición horizontal. No ajuste más los tornillos del protector de cables en este momento.

CONEXIONES ELÉCTRICAS DE LA SECADORA ELÉCTRICA

Cómo hacer la conexión de 4 hilos: Cable de suministro eléctrico

IMPORTANTE: Se necesita una conexión de 4 hilos para las casas rodantes y donde los códigos locales no permitan el uso de conexiones de 3 hilos.

Conectores estándar del cable eléctrico



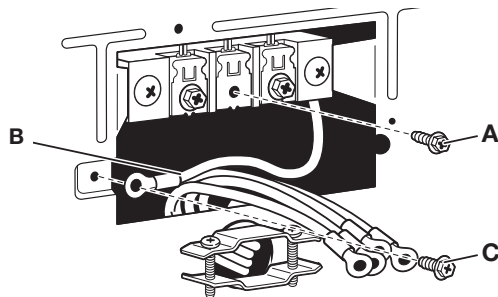
Conector bridado de horquilla



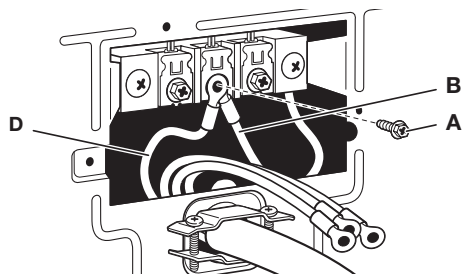
Conector de anillo

Cómo hacer la conexión de los cables a tierra y neutro

1. Para quitar el tornillo central del bloque de terminal (A) y el cable de conexión a tierra neutro (B), retire el tornillo externo del conductor de conexión a tierra (C).

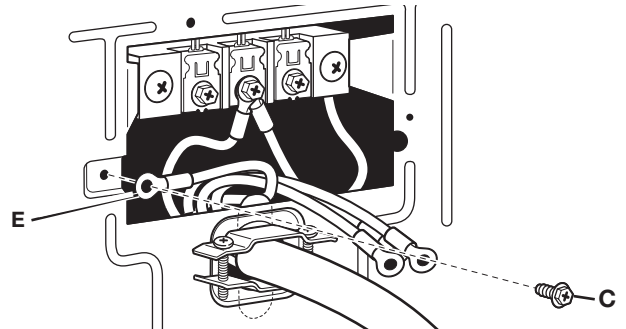


2. Conecte el hilo neutro de puesta a tierra (B) y el hilo neutro (hilo blanco o central) (D) del cable de suministro eléctrico debajo del tornillo central del bloque de terminal (A). Apriete el tornillo.



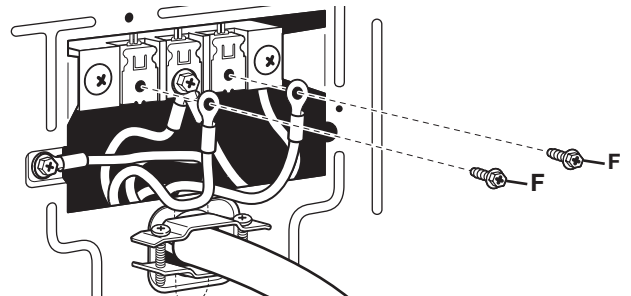
Conexión del cable eléctrico de conexión a tierra

3. Conecte el hilo a tierra (verde o desnudo) (E) del cable de suministro eléctrico debajo del tornillo conductor a tierra externo verde (C). Apriete el tornillo.



Cómo conectar los cables restantes

4. Conecte los cables restantes a los tornillos de los bloques de terminal de los extremos (F). Apriete los tornillos. Por último, vuelva a instalar la tapa del bloque de terminal al panel posterior de la secadora. Asegure la tapa con un tornillo de sujeción. Ahora vaya a "Requisitos de ventilación".



Cómo hacer la conexión de 3 hilos: Cable de suministro eléctrico

Conectores estándar del cable de suministro eléctrico



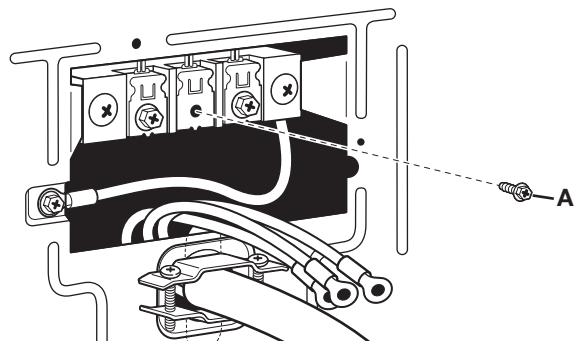
Conector bridado de horquilla



Conector de anillo

Cómo conectar el cable neutro

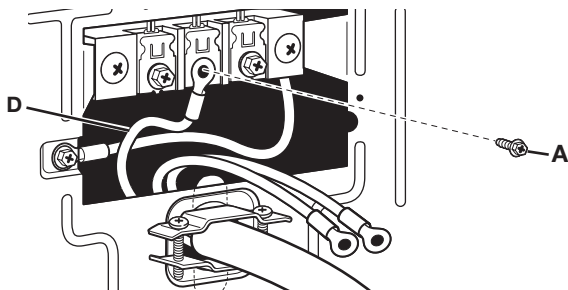
1. Afloje o saque el tornillo central del bloque de terminal (A).



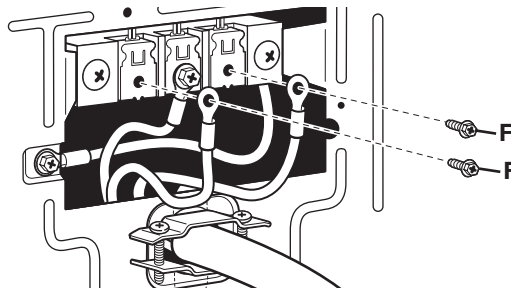
CONEXIONES ELÉCTRICAS DE LA SECADORA ELÉCTRICA

Cómo hacer la conexión de 3 hilos: Cable de suministro de energía (continuación)

2. Conecte el hilo neutro (hilo blanco o central) (D) al cable de suministro eléctrico bajo tornillo del bloque de terminal central (A). Apriete el tornillo.



3. Conecte los hilos restantes debajo de los tornillos exteriores del bloque de terminal (F). Apriete los tornillos. Por último, vuelva a instalar la tapa del bloque de terminal al panel posterior de la secadora. Asegure la tapa con un tornillo de sujeción. Ahora vaya a "Requisitos de ventilación".



Conexión por cable directo

⚠ ADVERTENCIA



Peligro de Incendio

Utilice alambre de cobre de calibre 10.

Use un protector de cables que esté en la lista de UL.

Desconecte el suministro eléctrico antes de hacer las conexiones eléctricas.

Conecte el alambre neutro (el blanco o el del centro) a la terminal central (plateado).

El alambre de tierra (el verde o el no aislado) se debe conectar con el conector verde de tierra.

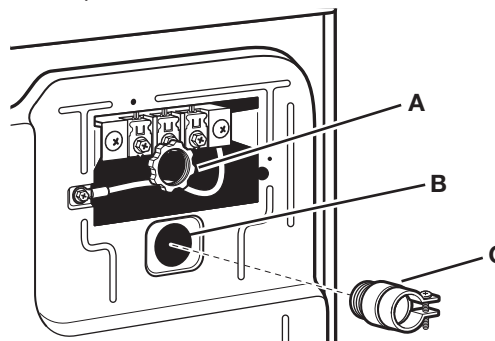
Conecte los 2 alambres de suministro restantes con las 2 terminales restantes (las doradas).

Apriete firmemente todas las conexiones eléctricas.

No seguir estas instrucciones puede causar la muerte, incendio o choque eléctrico.

Protector de cables para cable directo

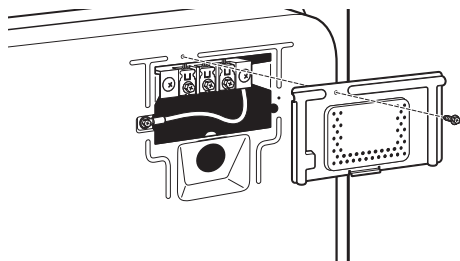
1. Inserte el protector de cables.



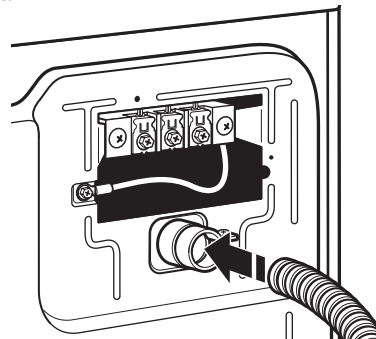
Desatornille el conector de conducto extraíble (A) y cualquier tornillo del protector de cables de 3/4" (19 mm) que está en la lista de UL. Haga pasar la sección trenzada del protector de cables (C) a través del orificio que está debajo de la abertura del bloque de terminal y atornille el conector de conducto removible (A) sobre las roscas del protector de cables.

2. Inserte el conducto en el protector de cables y apriete la abrazadera.

Quite la tapa del bloque de terminal



Quite el tornillo de sujeción y la tapa del bloque de terminal.



Haga pasar el cable directo a través del protector de cables. El protector de cables deberá encajar de manera ajustada con el gabinete de la secadora y estar en posición horizontal. Apriete el tornillo del protector de cables contra el cable directo.

CONEXIONES ELÉCTRICAS DE LA SECADORA ELÉCTRICA

Cómo hacer la conexión de 4 hilos: Cable directo

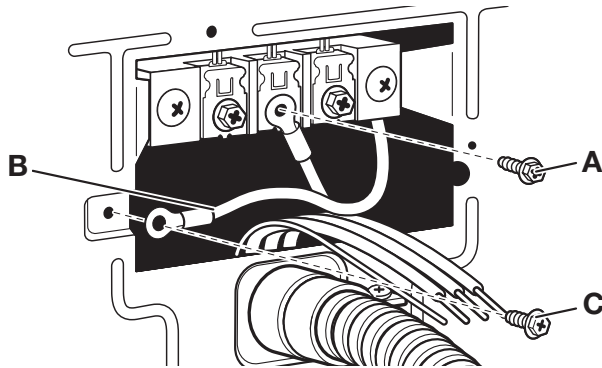
IMPORTANTE: Se necesita una conexión de 4 hilos para las casas rodantes y donde los códigos locales no permitan el uso de conexiones de 3 hilos.

El cable directo deberá tener 5 pies (1,52 m) de largo adicional para poder mover la secadora si es necesario.

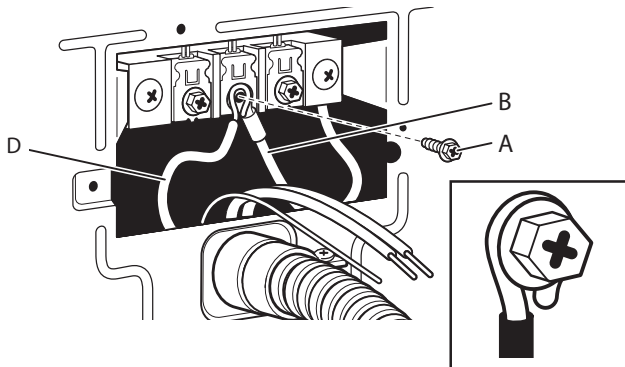
Pele 5" (127 mm) de la cubierta exterior del extremo del cable, dejando el cable a tierra desnudo a 5" (127 mm). Corte 1½" (38 mm) de los tres cables restantes. Pele el aislamiento 1" (25 mm). Doble los extremos de los cables para formar un gancho.

Cómo hacer la conexión de los cables de conexión a tierra y neutros

1. Para quitar el tornillo central del bloque de terminal (A) y el cable de conexión a tierra neutro (B), retire el tornillo externo del conector de conexión a tierra (C).

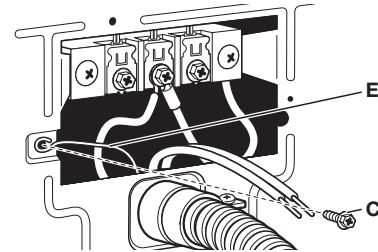


2. Conecte el cable de conexión a tierra neutro (B) y coloque el extremo en forma de gancho (gancho mirando hacia la derecha) del cable neutro (cable blanco o central) (D) debajo del tornillo central del bloque de terminal (B). Apriete los extremos en forma de gancho y apriete el tornillo.



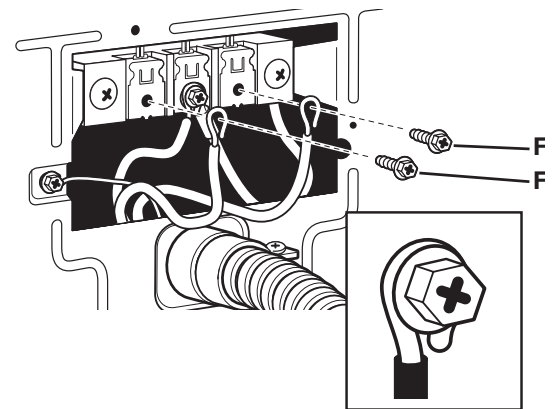
Cómo hacer la conexión a tierra del cable directo

3. Conecte el hilo a tierra (verde o desnudo) (E) del cable directo debajo del tornillo conductor a tierra externo verde (C). Apriete el tornillo.



Cómo conectar los cables restantes

4. Conecte los hilos restantes debajo de los tornillos exteriores del bloque de terminal (F). Apriete el extremo en forma de gancho y apriete los tornillos. Por último, vuelva a instalar la tapa del bloque de terminal al panel posterior de la secadora. Asegure la tapa con un tornillo de sujeción. Ahora vaya a "Requisitos de ventilación".



CONEXIONES ELÉCTRICAS DE LA SECADORA ELÉCTRICA

Cómo hacer la conexión de 3 hilos: Cable directo

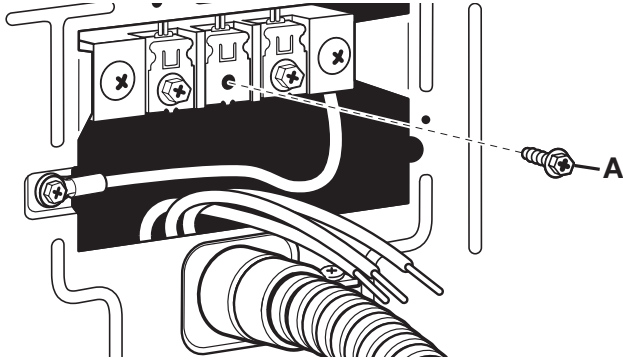
Úsela donde los códigos locales permitan conectar el conductor de tierra del gabinete al cable neutro.

El cable directo deberá tener 5 pies (1,52 m) de largo adicional para poder mover la secadora si es necesario.

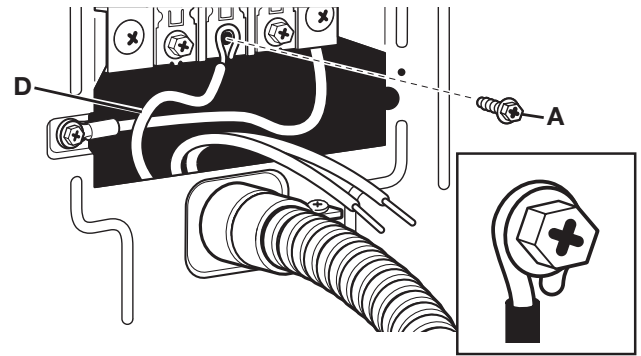
Pele 3½" (89 mm) de la cubierta exterior del extremo del cable. Pele el aislamiento 1" (25 mm). Si va a usar el cable de 3 hilos con cable a tierra, corte el cable desnudo alineado con la cubierta exterior. Doble los extremos de los cables para formar un gancho.

Cómo conectar el cable neutro

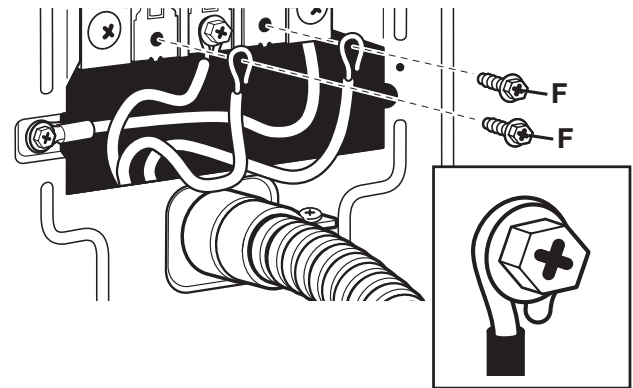
1. Afloje o saque el tornillo central del bloque de terminal (A).



2. Coloque el extremo en forma de gancho del cable neutro (cable blanco o central) (D) debajo del tornillo central del bloque de terminal (A), con el gancho mirando hacia la derecha. Apriete el extremo en forma de gancho y apriete el tornillo.



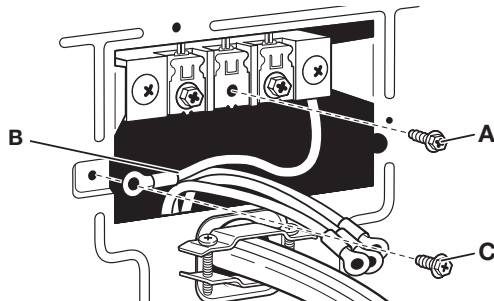
3. Coloque el extremo en forma de gancho del cable neutro (cable blanco o central) (D) debajo del tornillo central del bloque de terminal (A), con el gancho mirando hacia la derecha. Apriete el extremo en forma de gancho y apriete el tornillo.



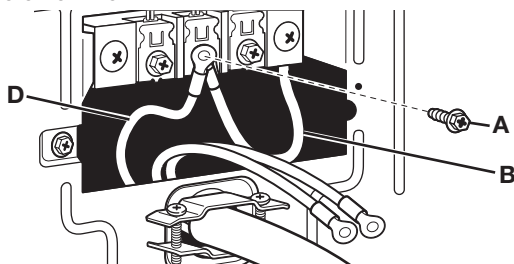
Cómo hacer la conexión de 3 hilos: Opcional

Úselo para el cable directo o el cable de suministro eléctrico donde los códigos locales no permiten conectar un conductor de conexión a tierra de la carcasa al cable neutro.

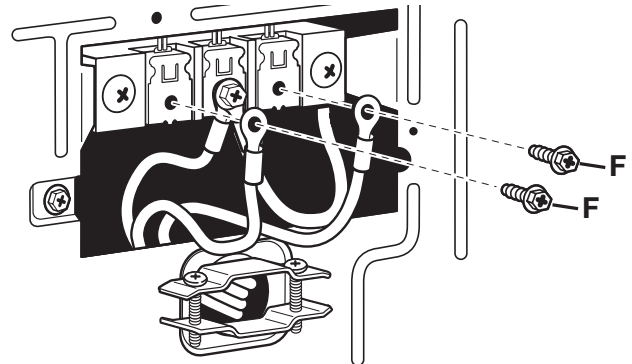
1. Quite el tornillo del bloque de terminal central (A). Retire también el cable neutro de conexión a tierra (B) quitando del tornillo conductor de tierra externo (C).



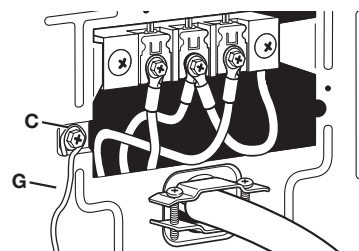
2. Conecte el hilo neutro de puesta a tierra (B) y el hilo neutro (hilo blanco o central) (D) del cable de suministro eléctrico debajo del tornillo central del bloque de terminal (A). Apriete el tornillo.



3. Conecte los hilos restantes debajo de los tornillos exteriores del bloque de terminal (F). Apriete los tornillos.



4. Conecte un cable de conexión a tierra de cobre separado (G) debajo del tornillo conductor de conexión a tierra externo (C) para una conexión a tierra adecuada. Por último, vuelva a instalar el bloque de terminal al panel posterior de la secadora. Asegure la tapa con un tornillo de sujeción. Ahora vaya a "Requisitos de ventilación".



INSTALACIÓN COMPLETA

1. Revise los requisitos eléctricos. Asegúrese de contar con la fuente de electricidad correcta y el método recomendado de conexión a tierra. Consulte "Requisitos eléctricos".
2. Verifique que todas las piezas estén ahora instaladas. Si hay una pieza adicional, repita los pasos.
3. Verifique que tenga todas las herramientas.
4. Deseche o recicle todo el material de embalaje.

⚠ ADVERTENCIA



Peligro de Choque Eléctrico

Conecte a un contacto de pared de conexión a tierra de 3 o 4 terminales.

No quite la terminal de conexión a tierra.

No use un adaptador.

No use un cable eléctrico de extensión.

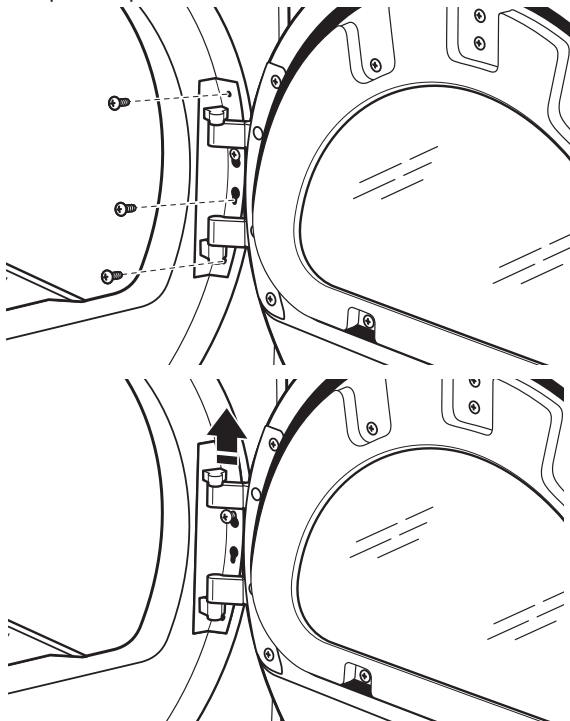
No seguir estas instrucciones puede ocasionar la muerte, incendio o choque eléctrico.

5. Enchufe en un contacto con conexión a tierra o reconecte el suministro de energía.
6. Verifique el funcionamiento de la secadora. Cierre la puerta de la secadora. Inserte las monedas en el tragamonedas y deslícelo hacia dentro presionando lentamente. Seleccione el ciclo Whites and Colors (Ropa blanca y de color) y deje que la secadora funcione durante 5 minutos por lo menos.
NOTA: La puerta de la secadora debe cerrarse para que funcione.
7. Abra la puerta de la secadora. Verifique que el interior de la secadora esté caliente. Si el quemador no se enciende y no siente calor dentro de la secadora, apáguela por cinco minutos. Revise que todos los controles de la válvula de suministro estén en la posición "ON" ("ENCENDIDO"), y que el cable eléctrico esté enchufado. Repita la prueba de cinco minutos.
8. Si el tiempo de secado es demasiado largo, asegúrese de que el filtro de pelusa esté limpio y de que no haya obstrucciones del flujo de aire en el sistema de ventilación de la secadora.
9. Reinicie la secadora y deje que complete un ciclo completo para asegurarse de que esté funcionando adecuadamente.

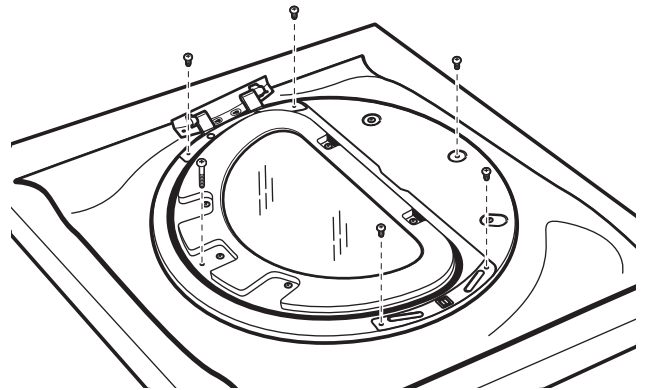
INVERSIÓN DEL SENTIDO DE APERTURA DE LA PUERTA (OPCIONAL)

Cómo quitar el conjunto de la puerta

1. Ponga una toalla o un paño suave sobre la secadora o el espacio de trabajo para evitar arañar la superficie.
2. Quite 3 de los 4 tornillos que sostienen la bisagra de la puerta en el panel frontal de la secadora. Afloje parcialmente el tornillo con bocallave restante y levante la puerta del tornillo para separarla.



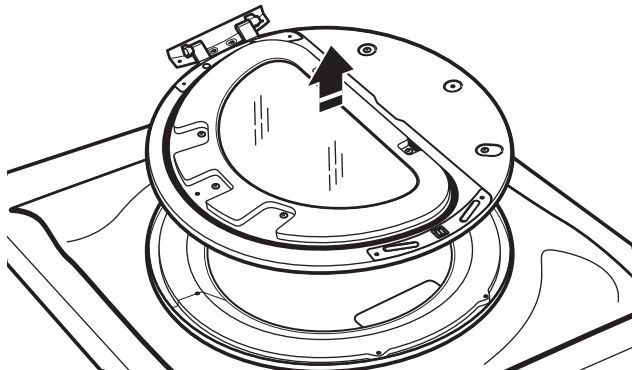
3. Coloque el ensamblaje de la puerta horizontalmente sobre una superficie plana que se haya preparado anteriormente, con el lado interior (el ensamblaje de la puerta interior) mirando hacia arriba, y quite los 6 tornillos de cabeza Phillips para separar el ensamblaje de la puerta exterior del ensamblaje de la puerta interior.



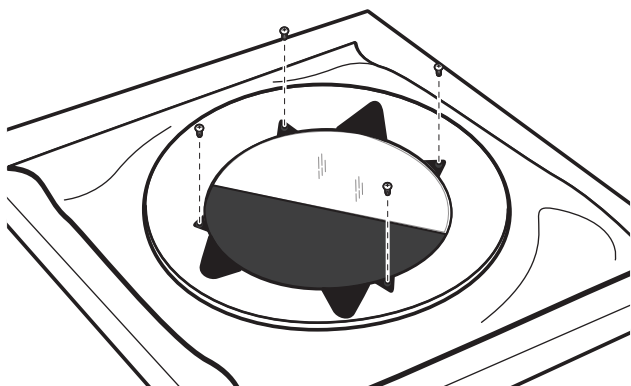
NOTA: Es importante que quite solamente los 6 tornillos indicados.

INVERSIÓN DEL SENTIDO DE APERTURA DE LA PUERTA (OPCIONAL)

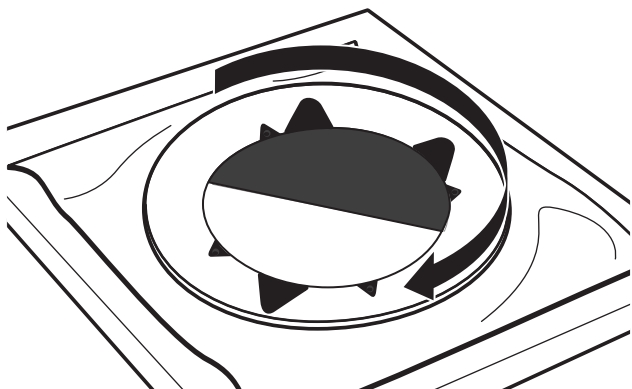
4. Levante el ensamblaje de la puerta interior y sepárelo del ensamblaje de la puerta exterior.



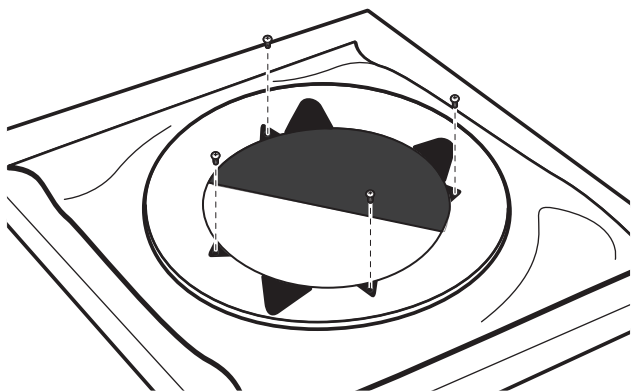
5. Quite los 4 tornillos Phillips para liberar el alambre central del inserto del anillo de la puerta exterior.



6. Levante y rote 180 grados el alambre central del inserto.

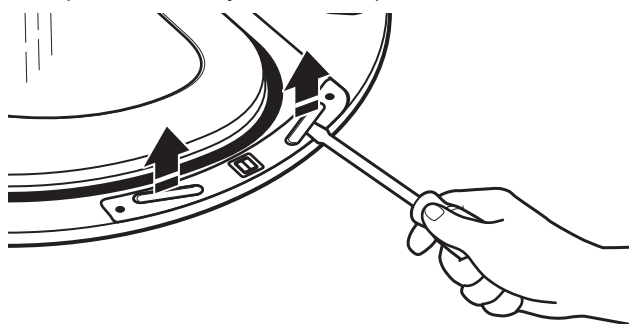


7. Vuelva a colocar el alambre central del inserto y el anillo de la puerta exterior con los 4 tornillos.

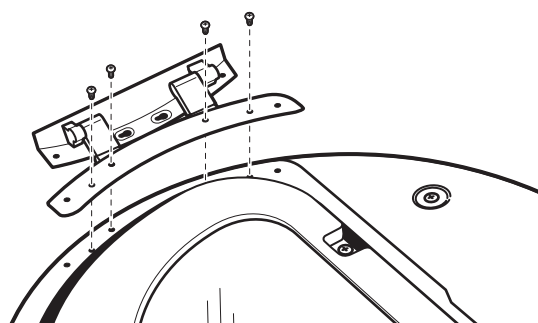


Invierta las bisagras

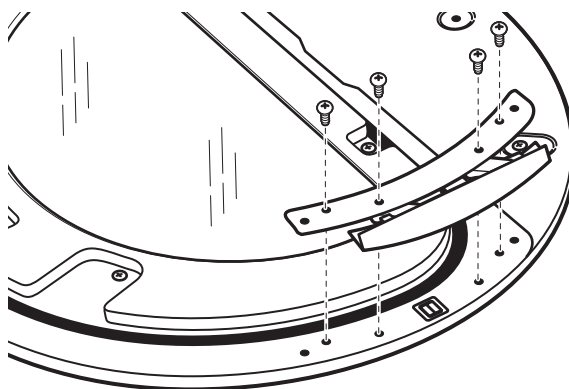
1. Use un pequeño destornillador de hoja plana para quitar los 2 tapones largos de la puerta interior. Deslice la hoja del destornillador debajo de los enchufes, sin rayar la superficie de la puerta interior, y levante el tapón.



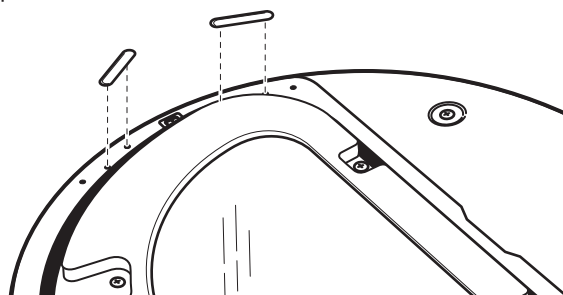
2. Quite los 4 tornillos que sujetan la puerta interior a la bisagra.



3. Mueva la bisagra al otro lado. Vuelva a instalar los 4 tornillos.



4. Vuelva a colocar las cintas de los tapones en el lado opuesto de la puerta interior.

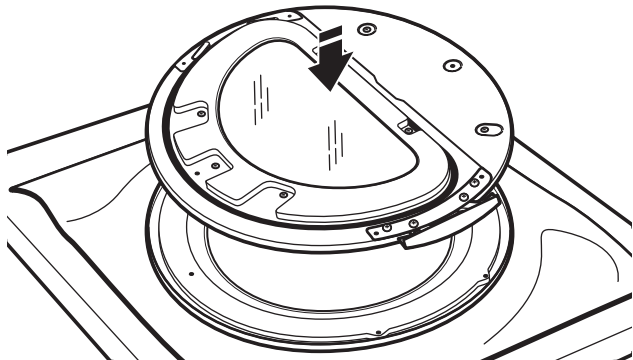


5. Fíjese si hay huellas digitales en el vidrio. Limpie si es necesario.

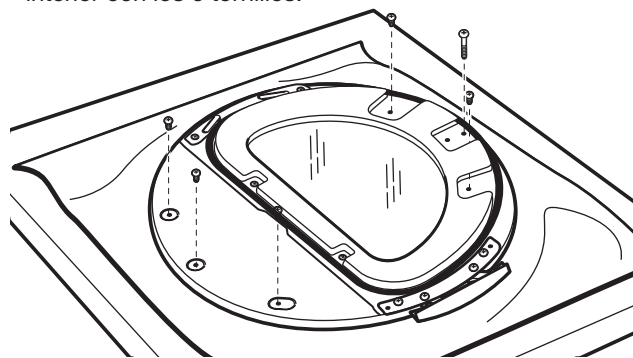
INVERSIÓN DEL SENTIDO DE APERTURA DE LA PUERTA (OPCIONAL)

Reemplace el conjunto de la puerta

1. Coloque el ensamblaje de la puerta interior dentro del ensamblaje de la puerta exterior.

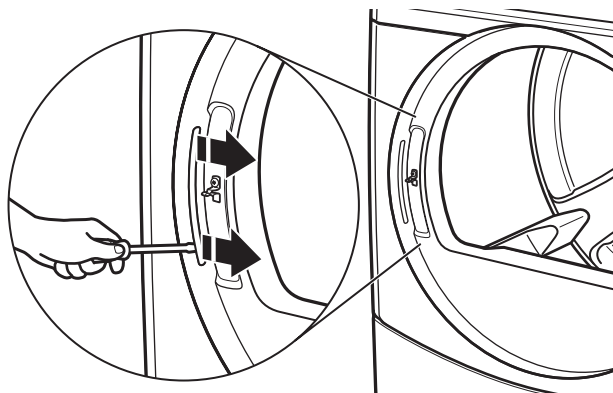


2. Vuelva a colocar los ensamblajes de la puerta exterior e interior con los 6 tornillos.

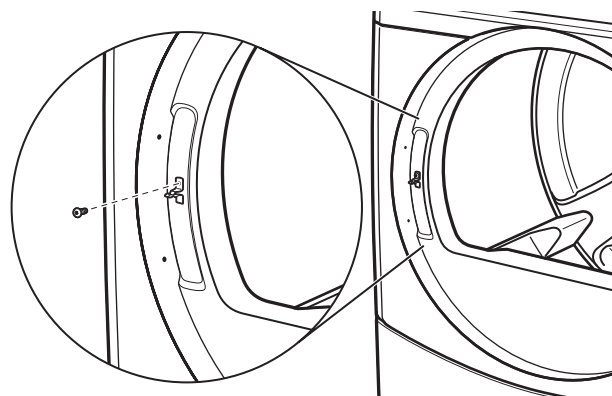


Cómo invertir el tope

1. Use un pequeño destornillador de hoja plana para quitar el tapón largo de la abertura de la puerta de la secadora. Deslice la hoja del destornillador debajo de los enchufes, sin rayar la superficie de la secadora, y levante el tapón.



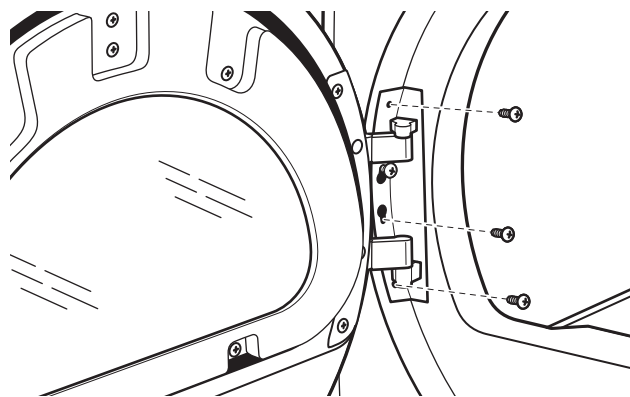
2. Use un destornillador Phillips para quitar el tope.



3. Inserte el tope en el lado opuesto.

Reinstale la puerta

1. Inserte parcialmente el tercer tornillo desde la parte superior; luego deslice la bisagra sobre este tornillo mientras engancha la bisagra en el orificio frontal del panel. Vuelva a sujetar la puerta al panel frontal de la secadora con los 3 tornillos restantes.



2. Fíjese si hay huellas digitales en el vidrio. Limpie si es necesario.
3. Cierre la puerta y compruebe que se cierra con seguridad.

INSTRUCCIONES DE MANTENIMIENTO

- Limpie el filtro de pelusa antes y después de cada ciclo.
- Eliminación de pelusa acumulada:
En el interior del gabinete de la secadora:
Según el uso de la secadora, se debe quitar la pelusa cada 2 años o con más frecuencia. La limpieza deberá efectuarla una persona competente.
Desde el ducto de escape:
Según el uso de la secadora, se debe quitar la pelusa cada 2 años o con más frecuencia.
- Mantenga el área alrededor de la secadora limpia y libre de materiales combustibles, gasolina y otros vapores y líquidos inflamables.
- Mantenga el área donde está la secadora despejada y libre de artículos que pudieran obstruir el flujo de aire para la combustión y la ventilación.

Si la secadora no funciona, revise lo siguiente:

- Que el suministro eléctrico esté conectado.
- El disyuntor no se disparó o el fusible de la casa no está quemado.
- Que la puerta esté cerrada. Escuche atentamente para oír cuando se active el interruptor de la puerta.
- Que el control esté configurado correctamente y la pantalla muestre el tiempo del ciclo.
- Que se haya presionado con firmeza el botón de selección de ciclos.
- Para las secadoras a gas, revise que las válvulas de cierre del suministro de gas estén en la posición abierta.

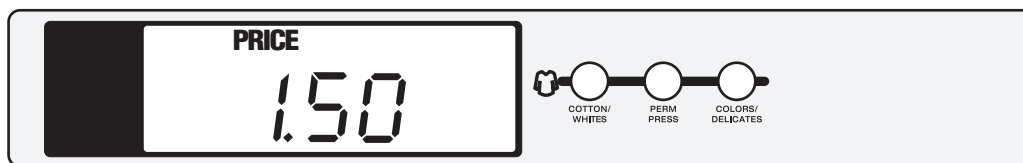
SI NECESITA ASISTENCIA

Si necesita asistencia técnica, todo servicio técnico en garantía es brindado exclusivamente por nuestros proveedores de servicio técnico de Whirlpool autorizados. En EE. UU. y Canadá, dirija todas las solicitudes de servicio técnico dentro de la garantía a: Centro para la experiencia del cliente de Whirlpool.

En los EE. UU., llame al **1-800-253-1301**. En Canadá, llame al **1-800-807-6777**.

Si usted se encuentra fuera de los cincuenta Estados Unidos y Canadá, póngase en contacto con su distribuidor autorizado de Whirlpool para determinar si corresponde otra garantía.

INSTRUCCIONES DE PROGRAMACIÓN DEL CONTROL ELECTRÓNICO



NOTA: Después de que se instale y enchufe la secadora, la pantalla mostrará "0 MINUTES" ("0 MINUTOS"). Después de que se haya abierto y cerrado la puerta, la pantalla mostrará el precio de venta.

Información general del usuario

DESPLAZAMIENTO POR PANTALLA DEL MENSAJE "OUT OF ORDER" ("FUERA DE SERVICIO"), SEGUIDO POR UN CÓDIGO DE ERROR O DE DIAGNÓSTICO:

Esta condición indica que la secadora no funciona.

APARECE "0 MINUTES" ("0 MINUTOS") EN LA PANTALLA:

Esto indica que la secadora no se puede utilizar. Las monedas que se hayan colocado o los ingresos de tarjeta de débito permanecerán en el depósito, pero no se pueden utilizar hasta que se abra y se cierre la puerta, lo cual reanuda el funcionamiento normal. Si un interruptor de puerta ha fallado y por esto permanece "0 MINUTES" ("0 MINUTOS") en la pantalla después de que se haya abierto y cerrado la puerta, el interruptor debe reemplazarse antes de que se pueda continuar con el funcionamiento normal.

INICIO EN FRÍO (primer uso inicial): La secadora está programada de fábrica de la siguiente manera:

Precio de secado \$1,50 (30 minutos)

Modelo 9160 únicamente: Precio de secado \$0 (45 minutos)

INICIO EN CALIENTE (después de un corte de corriente):

Algunos segundos después de que la energía haya vuelto, si un ciclo se encontraba en curso en el momento del corte, aparecerá "RESELECT CYCLE" ("VUELVA A SELECCIONAR EL CICLO") en la pantalla, lo que indica que debe presionar el botón para reiniciar la secadora.

PRECIOS: Después de que se ha abierto y cerrado la puerta siguiendo la finalización de un ciclo, la pantalla indica el precio del ciclo (a menos que se haya programado para un funcionamiento gratuito, en cuyo caso parpadeará "SELECT CYCLE" ["SELECCIONAR CICLO"]). A medida que caen las monedas o llega el pago con débito, la pantalla cambiará para guiar al usuario para que comience un ciclo.

Hay cuatro (4) tipos de precios de la secadora:

Precio fijo "Venta"

Una secadora programada para un funcionamiento de "Fixed Cycle" (ciclo fijo) solamente puede aceptar tiempo adicional que se haya acumulado en incrementos iguales a la duración de un ciclo de secado completo. Se puede comprar un máximo de 75 minutos y no se da crédito adicional por monedas adicionales una vez que aparece 75 minutos en la pantalla.

Precio del acumulador

Si la opción d está fijada en d.00, y el código 6 está fijado en una moneda 1, rige el precio del acumulador. El tiempo del ciclo puede comprarse con una moneda cada vez hasta el tiempo máximo de 75 minutos.

INSTRUCCIONES DE PROGRAMACIÓN DEL CONTROL ELECTRÓNICO

Ciclo fijo con precio por tiempo adicional (disponible para usarse con depósitos de monedas o lectores de tarjeta solamente)

Una secadora programada con la función de "Top Off" ("Tiempo adicional") permitirá que se agregue tiempo a un ciclo de secado en funcionamiento, en incrementos iguales al número de minutos de secado por moneda de 25 centavos (moneda 1), hasta 75 minutos, independientemente del monto necesario para poner en marcha la secadora. No se da crédito por monedas o ingresos de tarjeta de débito cuando el control muestre 75 minutos en pantalla.

CICLOS GRATUITOS: Esto se establece cuando ajusta el precio del ciclo en cero. Cuando esto ocurre, aparecerá SELECT CYCLE (SELECCIONAR CICLO) en lugar del precio del ciclo. Todo ciclo que haya comenzado como un ciclo gratuito finalizará automáticamente cuando se abra la puerta.

LISTA PARA TARJETA DE DÉBITO: Esta secadora está lista para las tarjetas de débito.

Aceptará una variedad de sistemas de tarjeta de débito, pero NO viene con un lector de tarjetas de débito. Consulte al fabricante del lector de tarjetas de débito para informarse sobre la programación adecuada en secadoras. Cuando se instala un lector de tarjeta de Generación 2, la secadora se fija en el modo mejorado de tarjeta de pago automático.

En Modo mejorado de tarjeta de débito, el precio por tiempo adicional se puede fijar de manera independiente (consulte VALOR DE MONEDA 2), y el tiempo adicional se calcula según la siguiente ecuación:

$$\frac{\text{precio por tiempo adicional}}{\text{precio de ciclo completo}} = \frac{\text{cantidad de tiempo adicional}}{\text{duración de ciclo completo}}$$

En los modelos convertidos al sistema de tarjetas de débito de Generación 1, los pulsos de débito representan al equivalente de una moneda (moneda 1).

NOTA: El modo mejorado de tarjeta de débito no se puede cancelar.

Procedimientos de programación del control

IMPORTANTE: Lea todas las instrucciones antes de usarlo.

Los botones para la selección de las telas y la pantalla digital se utilizan para programar los controles de la secadora.

La pantalla puede contener 4 números y/o letras y un punto decimal. Éstos se usan para indicar los códigos de la programación y los valores de los códigos relacionados, disponibles para el uso de la programación de la secadora.

Cómo utilizar los botones para programar los mandos

1. El botón COTTON/WHITES (ROPA DE ALGODÓN/ROPA BLANCA) se utiliza para ajustar los valores asociados con los códigos de programación. Pulsando el botón se cambia el valor en incrementos. Es posible efectuar ajustes rápidamente si se mantiene presionado el botón.
2. El botón PERM PRESS (PLANCHADO PERMANENTE) hará avanzar los códigos de programación. Presionar este botón permitirá avanzar al siguiente código de programación disponible. Si mantiene presionado el botón, hará avanzar automáticamente los códigos de programación a una velocidad más rápida que uno por segundo.
3. El botón COLORS/DELICATES (ROPA DE COLOR/ROPA DELICADA) se usa para seleccionar o quitar opciones.

Programación para comenzar a usar

Inserte la llave en la puerta de servicio, gírela y levante para quitar la puerta de servicio.

Secadoras con lector de tarjeta instalado:

Una vez que se haya instalado el lector de tarjeta de pago automático (según las instrucciones del fabricante de lectores), se puede ingresar al modo de programación insertando una tarjeta de programación manual (provista por el fabricante de lectores) en la ranura para tarjeta. Si no hay una tarjeta de programación manual disponible, sólo podrá ingresarse al modo de diagnóstico quitando la puerta de servicio.

IMPORTANTE: Para obtener acceso al modo de programación o al de diagnóstico, use una llave de servicio (modelos 9050) para abrir la puerta de servicio. Si se ha instalado un lector de tarjeta, hay una tarjeta de servicio disponible para tener acceso a los diagnósticos. Si no hay disponible una llave de servicio (modelo 9060), deberá quitarse el conector AA1 para obtener acceso o deberá utilizarse el código de acceso de servicio que se describe a continuación.

La consola no se debe de abrir a menos que se haya desconectado primero el suministro de energía a la secadora. Para tener acceso al conector AA1:

1. Desenchufe la secadora o desconecte el suministro de energía.
2. Abra la consola, desconecte el enchufe en AA1 y luego cierre la consola.
3. Enchufe la secadora o reconecte el suministro de energía.

La secadora se encuentra ahora en el modo de programación.

Para introducir el código de acceso de servicio alternativo e introducir el modo de configuración: Presione el botón izquierdo, el botón derecho, el botón izquierdo, el botón derecho y, nuevamente, el botón derecho.

NOTA: No es necesario programar la secadora con los códigos que siguen; está prefijada de fábrica. Estos códigos pueden usarse para cambiar los ajustes, si lo desea.

Códigos de programación

- El botón PERM PRESS (PLANCHADO PERMANENTE) hará avanzar de código en código.
- El botón COTTON/WHITES (ROPA DE ALGODÓN/ROPA BLANCA), cambiará el valor del código.
- El botón COLORS/DELICATES (ROPA DE COLOR/ROPA DELICADA) se usa para seleccionar o quitar opciones.

El código de programación se indica con uno o dos caracteres al lado izquierdo. El valor del código de programación se indica con dos o tres caracteres al lado derecho.

NOTA: El primer renglón de cada código indica el ajuste de fábrica.

INSTRUCCIONES DE PROGRAMACIÓN DEL CONTROL ELECTRÓNICO

Código	Explicación
6. 06	PRECIO DE CICLO NORMAL
6. 06	Cuando d.xx está configurado en d.00, este valor 6.xx representa la cantidad de monedas (moneda 1) necesarias para iniciar la secadora; se puede ajustar de 0 a 39. Para cambiar este valor, presione el botón COTTON/WHITES (ROPA DE ALGODÓN/ROPA BLANCA). 6,06 = 6 monedas = \$1,50. (Los modelos 9160 tienen el valor predeterminado 6,00).
6. 01	Cuando d.xx está configurado en d.CS, este valor 6.xx representa la cantidad de accionamientos de presión del tragamonedas para iniciar la secadora. 6.01 equivale a una activación del tragamonedas. <ul style="list-style-type: none"> • Presione el botón PERM PRESS (PLANCHADO PERMANENTE) una vez para ver el siguiente código.
7. 05	TIEMPO DE SECADO NORMAL
7. 05	Cuando se haya fijado el funcionamiento en depósito de monedas o lector de tarjeta, el tiempo de secado será equivalente al valor del tiempo de secado común multiplicado por el valor del precio del ciclo común. Ejemplo: 6,06 y 7,05 = (06 x 05 = 30 minutos).
7. 45	Para la operación del tragamonedas o del OPL, el valor es la cantidad de minutos de secado. Ajuste de fábrica de 45 minutos. El presionar COTTON/WHITES (ROPA DE ALGODÓN/ROPA BLANCA) ajusta el valor de 1 a 75 minutos. <ul style="list-style-type: none"> • Presione el botón PERM PRESS (PLANCHADO PERMANENTE) una vez para ver el siguiente código.
8. 00	TIPO DE PRECIOS DE SECADO
8. 00	Ciclo fijo con tiempo adicional. Disponible para usarse con depósitos de monedas o lectores de tarjeta solamente. Para ver una descripción detallada, consulte "Información general para el usuario".
8. FC	Ciclo fijo. Para ver una descripción detallada, consulte "Información general para el usuario". Use el botón COLORS/DELICATES (ROPA DE COLOR/ROPA DELICADA) para hacer esta selección. <ul style="list-style-type: none"> • Presione el botón PERM PRESS (PLANCHADO PERMANENTE) una vez para ver el siguiente código.
9. 00	OPCIÓN DE CONTADOR DE CICLO Esta opción NO ESTÁ SELECCIONADA "OFF" ("DESACTIVADA") o ESTÁ SELECCIONADA "ON" ("ACTIVADA").
9. 00	No Seleccionada "OFF" ("DESACTIVADA").
9. 0C	Seleccionada "ON" ("ACTIVADA") y no se puede desactivar. <ul style="list-style-type: none"> • Presione el botón COLORS/DELICATES (ROPA DE COLOR/ROPA DELICADA) tres veces consecutivas para seleccionar "ON" ("ENCENDIDO"). Una vez que se selecciona "ON" ("ENCENDIDO"), no se puede anular. • Presione el botón PERM PRESS (PLANCHADO PERMANENTE) una vez para ver el siguiente código.
1. 00	OPCIÓN DE CONTADOR DE DINERO Esta opción NO ESTÁ SELECCIONADA "OFF" ("DESACTIVADA") o ESTÁ SELECCIONADA "ON" ("ACTIVADA").
1. 00	No seleccionada "OFF" ("DESACTIVADA").
1. 0C	Seleccionada "ON" ("ACTIVADA"). <ul style="list-style-type: none"> • Presione el botón COLORS/DELICATES (ROPA DE COLOR/ROPA DELICADA) tres veces consecutivas para seleccionar "ON" ("ACTIVADA") y otras tres veces consecutivas para deseleccionar (No Seleccionado "OFF" ["DESACTIVADA"]). El contador se reinicia al pasar de "OFF" ("APAGADO") a "ON" ("ENCENDIDO").
1. C0	Seleccionado "ON" ("ACTIVADA") y no se puede desactivar. <ul style="list-style-type: none"> • Para seleccionar "ON" ("ACTIVADA") sin que se pueda desactivar, seleccione "ON" ("ACTIVADA"), y dentro de 2 segundos presione el botón COLORS/DELICATES (ROPA DE COLOR/ROPA DELICADA) dos veces, el botón COTTON/WHITES (ROPA DE ALGODÓN/ROPA BLANCA) una vez y salga del modo de programación. • Presione el botón PERM PRESS (PLANCHADO PERMANENTE) una vez para ver el siguiente código.

Código	Explicación
2. 00	OPCIONES DE PRECIOS ESPECIALES Esta opción está SELECCIONADA "ON" ("ACTIVADA") o NO SELECCIONADA "OFF" ("DESACTIVADA").
2. 00	No Seleccionada "OFF" ("DESACTIVADA").
2. SP	Seleccionada "ON" ("ACTIVADA"). Presione el botón COLORS/DELICATES (ROPA DE COLOR/ROPA DELICADA) una vez para hacer esta selección. <p>Si se selecciona la OPCIÓN DE PRECIOS ESPECIALES, tendrá acceso a los códigos '3.' a '9'.</p> <ul style="list-style-type: none"> • Presione el botón PERM PRESS (PLANCHADO PERMANENTE) una vez para ver el siguiente código.
OPCIONES DISPONIBLES SI SE SELECCIONA PRECIOS ESPECIALES:	
3. 06	PRECIO DE CICLO ESPECIAL
3. 06	Representa la cantidad de monedas de 25 centavos (moneda 1) necesarias para hacer andar la máquina; se puede ajustar de 0 a 39. (Vea la programación b.xx para VALOR DE MONEDA 1.) Presione el botón COTTON/WHITES (ROPA DE ALGODÓN/ROPA BLANCA) para avanzar de 0 a 39. Ajuste de fábrica de 6 monedas de 25 centavos = \$1,50.
3. 00	Modelo 9160: Ajuste de fábrica de 0 monedas de 25 centavos. <ul style="list-style-type: none"> • Presione el botón PERM PRESS (PLANCHADO PERMANENTE) una vez para ver el siguiente código.
4. 05	TIEMPO DE SECADO ESPECIAL
4. 05	Modelo 9150: Representa el número de minutos por cada moneda de 25 centavos (moneda 1). Ajuste de fábrica de 5 minutos por moneda. Ejemplo: 6 monedas de 25 centavos x 5 minutos = 30 minutos. El presionar el botón COTTON/WHITES (ROPA DE ALGODÓN/ROPA BLANCA), el valor se puede ajustar de 1 a 75.
4. 45	Modelo 9160: Representa la duración fija del ciclo en minutos. Ejemplo: '4.45' = 45 minutos. <ul style="list-style-type: none"> • Presione el botón PERM PRESS (PLANCHADO PERMANENTE) una vez para ver el siguiente código.
5. 00	RELOJ CON LA HORA DEL DÍA, MINUTOS
5. 00	Este es el RELOJ CON LA HORA DEL DÍA, para ajustar los minutos: seleccione de 0 a 59 minutos presionando el botón COTTON/WHITES (ROPA DE ALGODÓN/ROPA BLANCA). <ul style="list-style-type: none"> • Presione el botón PERM PRESS (PLANCHADO PERMANENTE) una vez para ver el siguiente código.
6. 00	RELOJ CON LA HORA DEL DÍA, HORAS NOTA: Usa la hora militar – un reloj de 24 horas.
6. 00	Este es el RELOJ DE LA HORA DEL DÍA, para ajustar las horas: seleccione de 0 a 23 horas presionando el botón COTTON/WHITES (ROPA DE ALGODÓN/ROPA BLANCA). <ul style="list-style-type: none"> • Presione el botón PERM PRESS (PLANCHADO PERMANENTE) una vez para ver el siguiente código.
7. 00	HORA DE INICIO DE PRECIO ESPECIAL NOTA: Usa la hora militar – un reloj de 24 horas.
7. 00	Esta es la hora de inicio; seleccione de 0 a 23 horas. Presione el botón COTTON/WHITES (ROPA DE ALGODÓN/ROPA BLANCA) para seleccionar la hora de inicio. <ul style="list-style-type: none"> • Presione el botón PERM PRESS (PLANCHADO PERMANENTE) una vez para ver el siguiente código.

INSTRUCCIONES DE PROGRAMACIÓN DEL CONTROL ELECTRÓNICO

Código	Explicación	Código	Explicación																								
8. 00	HORA DE FINALIZACIÓN DE PRECIO ESPECIAL NOTA: Usa la hora militar – un reloj de 24 horas.	C. 20	VALOR DE MONEDA 2																								
8. 00	Esta es la hora de finalización; selección de 0 a 23 horas. Presione el botón COTTON/WHITES (ROPA DE ALGODÓN/ROPA BLANCA) para seleccionar la hora de finalización. <ul style="list-style-type: none"> • Presione el botón PERM PRESS (PLANCHADO PERMANENTE) una vez para ver el siguiente código. 	C. 20	Representa el valor de la moneda 2 en monedas de 5 centavos: 20 = \$1,00. <ul style="list-style-type: none"> • Al presionar el botón COTTON/WHITES (ROPA DE ALGODÓN/ROPA BLANCA), aparece una opción de 1 a 199 monedas de 5 centavos. 																								
9. 10	DÍAS DE PRECIO ESPECIAL	C. 05	Cuando se usa un lector de tarjeta de Generación 2, este código representa el valor de tiempo adicional en monedas de 5 centavos. C.05 = \$0,25. <ul style="list-style-type: none"> • Presione el botón PERM PRESS (PLANCHADO PERMANENTE) una vez para ver el siguiente código. 																								
9. 10	Esto representa el día de la semana y si el precio especial está seleccionado para ese día. Un número seguido por un '0' indica que no se ha hecho una selección para ese día en particular (9.10). Un número seguido por la letra 'S' indica que se ha hecho una selección para ese día (9.1S). El día de la semana (1 a 7) se puede elegir presionando el botón COTTON/WHITES (ROPA DE ALGODÓN/ROPA BLANCA). Presione una vez el botón COLORS/DELICATES (ROPA DE COLOR/ROPA DELICADA) para seleccionar el precio especial para cada día elegido. Cuando salga de la programación del código '9.', la pantalla debe mostrar el día de semana actual:	d. 00	OPCIÓN DE TRAGAMONEDAS Esta opción está Seleccionada "ON" ("ACTIVADA") o No Seleccionada "OFF" ("DESACTIVADA"). Será necesario volver a colocar la caja del contador para el montaje del tragamonedas.																								
	<table border="1"> <thead> <tr> <th>PANTALLA</th> <th>DÍA DE LA SEMANA</th> <th>CÓDIGO (seleccionado)</th> </tr> </thead> <tbody> <tr> <td>10</td> <td>Día 1 = Domingo</td> <td>1S</td> </tr> <tr> <td>20</td> <td>Día 2 = Lunes</td> <td>2S</td> </tr> <tr> <td>30</td> <td>Día 3 = Martes</td> <td>3S</td> </tr> <tr> <td>40</td> <td>Día 4 = Miércoles</td> <td>4S</td> </tr> <tr> <td>50</td> <td>Día 5 = Jueves</td> <td>5S</td> </tr> <tr> <td>60</td> <td>Día 6 = Viernes</td> <td>6S</td> </tr> <tr> <td>70</td> <td>Día 7 = Sábado</td> <td>7S</td> </tr> </tbody> </table>	PANTALLA	DÍA DE LA SEMANA	CÓDIGO (seleccionado)	10	Día 1 = Domingo	1S	20	Día 2 = Lunes	2S	30	Día 3 = Martes	3S	40	Día 4 = Miércoles	4S	50	Día 5 = Jueves	5S	60	Día 6 = Viernes	6S	70	Día 7 = Sábado	7S	d. 00	No seleccionada "OFF" ("DESACTIVADA").
PANTALLA	DÍA DE LA SEMANA	CÓDIGO (seleccionado)																									
10	Día 1 = Domingo	1S																									
20	Día 2 = Lunes	2S																									
30	Día 3 = Martes	3S																									
40	Día 4 = Miércoles	4S																									
50	Día 5 = Jueves	5S																									
60	Día 6 = Viernes	6S																									
70	Día 7 = Sábado	7S																									
	<ul style="list-style-type: none"> • Presione el botón PERM PRESS (PLANCHADO PERMANENTE) una vez para ver el siguiente código. 	D. CS	Seleccionada "ON" ("ACTIVADA"). NOTA: Deberá fijarse esta opción en '00', a menos que se haya cambiado la caja del contador para aceptar un dispositivo tragamonedas. Presione el botón COLORS/DELICATES (ROPA DE COLOR/ROPA DELICADA) tres veces consecutivas para hacer esta selección. Cuando se selecciona el modo de tragamonedas, 'b.' equivale al valor del precio de venta en monedas de 5 centavos. Fije '6 XX' (PRECIO POR EL CICLO COMUN) y '3.XX' (PRECIO DE CICLO ESPECIAL) en el número de veces que funcione el tragamonedas. NOTA: Si el instalador configura "CS" modelo que trabaja con depósito de monedas, la secadora no registrará las monedas insertadas. <ul style="list-style-type: none"> • Presione el botón PERM PRESS (PLANCHADO PERMANENTE) una vez para ver el siguiente código. 																								
00	OPCIÓN VISUALIZACIÓN CAJA Esta opción está SELECCIONADA "ON" ("ACTIVADA") o NO SELECCIONADA "OFF" ("DESACTIVADA").	E. 00	OPCIÓN DE AGREGAR MONEDAS Esta opción está Seleccionada "ON" ("ACTIVADA") o No Seleccionada "OFF" ("DESACTIVADA"). Esta opción hace que la pantalla del cliente muestre el número de monedas (moneda 1) que se deben introducir, en lugar del importe en dólares y centavos.																								
A. 00	No Seleccionada "OFF" ("DESACTIVADA").	E. 00	No Seleccionada "OFF" ("DESACTIVADA").																								
A. SC	Seleccionada "ON" ("ACTIVADA"). Presione el botón COLORS/DELICATES (ROPA DE COLOR/ROPA DELICADA) una vez para hacer esta selección. Cuando se seleccione, se podrán ver los contadores de dinero y/o de ciclos (si se selecciona el contador), cuando se retire la caja de monedas. <ul style="list-style-type: none"> • Presione el botón PERM PRESS (PLANCHADO PERMANENTE) una vez para ver el siguiente código. 	E. AC	Seleccionada "ON" ("ACTIVADA"). Presione el botón COLORS/DELICATES (ROPA DE COLOR/ROPA DELICADA) tres veces consecutivas para hacer esta selección. MODELO 9160 ÚNICAMENTE: En el modo de débito mejorado, esta opción no se puede seleccionar. <ul style="list-style-type: none"> • Presione el botón PERM PRESS (PLANCHADO PERMANENTE) una vez para ver el siguiente código. 																								
b. 05	VALOR DE MONEDA 1	J. Cd	MEDIO DE PAGO (OPCIÓN DE MONEDA/DÉBITO)																								
b. 05	Esto representa el valor de 1 moneda en cantidad de monedas de 5 centavos: 05 = \$0,25 (predeterminado para modelos 9150 y 9160). <ul style="list-style-type: none"> • Al presionar el botón COTTON/WHITES (ROPA DE ALGODÓN/ROPA BLANCA), aparece una opción de 1 a 199 monedas de 5 centavos. • Presione el botón PERM PRESS (PLANCHADO PERMANENTE) una vez para ver el siguiente código. 	J. Cd	Se encuentran seleccionadas la opción de moneda y débito. Presione el botón COLORS/DELICATES (ROPA DE COLOR/ROPA DELICADA) tres veces consecutivas para cambiar esta selección.																								
b. 30	Con la activación del tragamonedas, esto representa el precio de venta total en monedas de 5 centavos. Ejemplo: b.30 equivale a \$1,50.	J. C_	Monedas seleccionadas, débito desactivado. Presione el botón COLORS/DELICATES (ROPA DE COLOR/ROPA DELICADA) tres veces consecutivas para cambiar esta selección.																								
		J. _d	Tarjeta de pago automático seleccionada, pago con moneda desactivado (predeterminado para modelos 9160). Esta selección deberá usarse para el funcionamiento gratuito. Presione el botón COLORS/DELICATES (ROPA DE COLOR/ROPA DELICADA) tres veces consecutivas para cambiar esta selección.																								
		J. Ed	Cuando hay un lector de tarjeta de Generación 2 instalado en la secadora se selecciona automáticamente el débito mejorado. La opción "Ed" ("Débito mejorado") no se puede seleccionar ni cancelar manualmente. <ul style="list-style-type: none"> • Presione el botón PERM PRESS (PLANCHADO PERMANENTE) una vez para ver el siguiente código. 																								

INSTRUCCIONES DE PROGRAMACIÓN DEL CONTROL ELECTRÓNICO

Código Explicación

L. 00 **OPCIÓN DE ANULACIÓN DE PRECIO**
Esta opción está Seleccionada "ON" ("ACTIVADA") o No Seleccionada "OFF" ("DESACTIVADA"). Esta opción hace que la pantalla del cliente muestre "AVAILABLE" ("DISPONIBLE") o "ADD" ("AGREGAR"), en lugar de la cantidad de dinero que hay que agregar. (Se usa principalmente en las instalaciones para tarjeta de débito).

L. 00 No seleccionada "OFF" ("DESACTIVADA").

L. PS Seleccionada "ON" ("ACTIVADA"). Presione el botón COLORS/DELICATES (ROPA DE COLOR/ROPA DELICADA) una vez para hacer esta selección.
• Presione el botón PERM PRESS (PLANCHADO PERMANENTE) una vez para ver el siguiente código.

n. CE **OPCIÓN DE ELIMINAR DEPÓSITO**
Esta opción está Seleccionada "ON" ("ACTIVADA") o No Seleccionada "OFF" ("DESACTIVADA"). Cuando la selección, el dinero que esté depositado durante 30 minutos sin más depósitos o actividad de ciclos se eliminará.

n. 00 No seleccionada "OFF" ("DESACTIVADA").

n. CE Seleccionada "ON" ("ACTIVADA").
• Presione el botón COLORS/DELICATES (ROPA DE COLOR/ROPA DELICADA) una vez para cambiar esta selección.
• Presione el botón PERM PRESS (PLANCHADO PERMANENTE) una vez para ver el siguiente código.

U. 00 COMPENSACIÓN CON INCREMENTOS DE CENTAVOS

U. 00 Esto representa la compensación del precio en incremento en centavos que se usa en los modelos 9160 de la Generación 2 (Pago con tarjeta de débito mejorado). Presione el botón COTTON/WHITES (ROPA DE ALGODÓN/ROPA BLANCA) para elegir de 0 a 4 centavos.
• Presione el botón PERM PRESS (PLANCHADO PERMANENTE) una vez para ver el siguiente código.

Si se selecciona el contador de ciclos (9 0C), lo siguiente es correcto:

1 00 Ciclos de a CIENTOS $1 \underline{02} = 200$

2 00 Ciclos en UNIDADES $2 \underline{25} = 25$

TOTAL DE CICLOS = 225

Esta opción es "VIEW ONLY" ("SÓLO VISUALIZACIÓN") y no se puede eliminar.

• Presione el botón PERM PRESS (PLANCHADO PERMANENTE) una vez para ver el siguiente código.

Si se selecciona el contador de dinero (1.0C o 1.C0), lo siguiente es correcto:

3 00 Dólares en CIENTOS $3 \underline{01} = \$100,00$

4 00 Dólares en UNIDADES $4 \underline{68} = \$68,00$

5 00 Número de CENTAVOS $5 \underline{75} = \$00,75$

TOTAL = \$168,75

FIN DE LOS PROCEDIMIENTOS DE PROGRAMACIÓN

CÓMO SALIR DEL MODO DE PROGRAMACIÓN:

1. Cierre la puerta de servicio.
2. Desconecte la secadora del suministro de energía antes de volver a instalar el conector AA1, si se ha quitado.
3. Saque la tarjeta de programación manual.
4. Espere dos minutos sin activar ninguna opción de la secadora.
5. Desconecte el suministro eléctrico y vuelva a conectarlo.

Códigos de diagnóstico

Si se ingresa al modo de programación y ha ocurrido algo de lo siguiente, el código de diagnóstico adecuado aparecerá en la pantalla.

Pantalla de la secadora	Explicación
d 5	Moneda 1 obstruida o fallo en el circuito de control de la IU del depósito de monedas (la pantalla del cliente y del reconocimiento de monedas se desactivará mientras permanezca la obstrucción).
d 9	Voltaje detectado por debajo de 90 VCA durante 8 segundos.
d 13	Moneda 2 obstruida o fallo en el circuito de control de la IU del depósito de monedas (la pantalla del cliente y del reconocimiento de monedas se desactivará mientras permanezca la obstrucción).
d 16	No recibe comunicación del lector de tarjetas de pago automático ya instalado en el modo de pago con tarjeta de pago automático mejorado (Generación 2).
F 01	Error del circuito de control del motor de la secadora (la pantalla de ciclos y precio se desactiva hasta que se borre manualmente el código de diagnóstico). El control no sabe si el relé está mal (pegado), el circuito de accionamiento del relé está mal (ha tenido un corto circuito, causando que el relé del motor permanezca encendido), o si el circuito de retroalimentación del relé está mal.
F 22	Termistor de salida abierto, la temperatura baja a menos de 18 °F (>50 kΩ) durante 1 minuto en modo Funcionamiento o inmediatamente en modo Diagnóstico de Fábrica.
F 23	Termistor de salida en cortocircuito, la temperatura a más de 250 °F (<500 Ω) durante 1 minuto en modo Funcionamiento o inmediatamente en modo Diagnóstico de Fábrica.
F 70	La IU no recibe comunicación de la UCC (la pantalla de ciclos y precio estará desactivada mientras dure el error o hasta que se despeje manualmente).
F 71	La UCC no recibe comunicación de la IU (la pantalla de ciclos y precio estará desactivada mientras dure el error o hasta que se despeje manualmente).
F 73	El microprocesador de la IU no puede leer ni verificar el EEPROM (la pantalla de ciclos y precio estará desactivada hasta que se despeje manualmente el código de diagnóstico).
F 74	La memoria de la IU del EEPROM es una falla de CRC (la pantalla de ciclos y precio estará desactivada hasta que se despeje manualmente el código de diagnóstico).

INSTRUCCIONES DE PROGRAMACIÓN DEL CONTROL ELECTRÓNICO

Modo de diagnóstico de la secadora

Se ingresa a este modo presionando COTTON/DELICATES (ROPA DE COLOR/ROPA DELICADA) durante un segundo mientras está en uno de los códigos 6 xx o 7 xx, o con un código de diagnóstico presente. Los códigos de diagnóstico se despejan al ingresar algo y todos los segmentos de la pantalla deben parpadear. Si continúa apareciendo un código de diagnóstico, deberá ser corregido antes de ingresar al ciclo de diagnóstico.

Todos los modelos:

Con todos los segmentos parpadearo, el ciclo de diagnóstico comienza cuando presione el botón PERM PRESS (PLANCHADO PERMANENTE). El ciclo consiste de 7 minutos de calor y 1 de enfriamiento.

El botón COTTON/WHITES (ROPA DE ALGODÓN/ROPA BLANCA) aumentará los minutos del ciclo de diagnóstico hasta 75 minutos, luego regresará a 2 minutos. El botón COLORS/DELICATES (ROPA DE COLOR/ROPA DELICADA) anulará este ciclo y saldrá del modo de diagnóstico.

Modo de ayuda de la secadora

Se puede acceder al modo de ayuda de la secadora presionando el botón COTTON/WHITES (ROPA DE ALGODÓN/ROPA BLANCA) mientras está en la opción de precio especial 2.XX. Mientras esté en el modo de ayuda, se muestra la revisión del software en la pantalla. Se puede avanzar en el modo de ayuda presionando el botón PERM PRESS (PLANCHADO PERMANENTE). Consulte el submenú del Modo de ayuda a continuación para ver el orden en el que se muestran los elementos. Presione el botón COTTON/WHITES (ROPA DE ALGODÓN/ROPA BLANCA) en cualquier momento para salir del modo de ayuda.

Códigos de ayuda

Código de ayuda	Descripción
71	Está fuera de secuencia el mensaje del sondeo del ciclo de la tarjeta de débito de Generación 2.
74	Está fuera de secuencia el mensaje de saldo remanente de la tarjeta de débito de Generación 2
75	Está fuera de secuencia el mensaje de saldo de nueva tarjeta de débito de Generación 2.
88	Se ha encontrado un estado de mensajes inválidos en la rutina comm_suprv () de comunicaciones de adquisición de datos.

Submenú del Modo de ayuda

Paso	Indicación en la pantalla	Explicación
1	1h.XX	Código de ayuda 1, en el cual XX es el número de código de ayuda. *
2	2h.XX	Código de ayuda 2, en el cual XX es el número de código de ayuda. *
3	3h.XX	Código de ayuda 3, en el cual XX es el número de código de ayuda. *
4	1.X##	Código de historia de errores 1, en el cual X es el código F o d, y ## es el número de código. **
5	2.X##	Código de historia de errores 2, en el cual X es el código F o d, y ## es el número de código. **
6	3.X##	Código de historia de errores 3, en el cual X es el código F o d, y ## es el número de código. **
7	4.X##	Código de historia de errores 4, en el cual X es el código F o d, y ## es el número de código. **
8	SC.XX	Revisión del software de la UCC, en la cual XX es el número de revisión del software.
9	SU.XX	Revisión del software de la UCC, en la cual XX es el número del software.
10	EU.XX	Revisión de EEPROM de la IU, en la cual XX es el número de EEPROM.

* Para borrar los 3 códigos de ayuda, presione el botón COLORS/DELICATES (Ropa de color/Ropa delicada).

** Los errores mostrados en esta sección son errores en la historia que han ocurrido en la secadora (no necesariamente un error actual). El error actual se muestra EN EL SUBMODO DE DIAGNÓSTICO DE FUNCIONAMIENTO DE LOS BOTONES MANUALES.

En el modo de ayuda, se muestran otros símbolos y elementos en la pantalla para reflejar el estado de varias entradas y salidas, como sigue:

Todas las secadoras

*. existe un bajo voltaje (aproximadamente por debajo de 90 VCA)
 °(círculo encima del dígito) puerta cerrada
 OR. se detectó que el motor está funcionando
 AIR. el relé del calentador/la válvula de gas está encendido
 FLUFF. motor del relé encendido

NOTES

NOTES

NOTES

NOTES

NOTES

NOTES

