

DISHWASHERS

SAFETY INFORMATION2

USING THE DISHWASHER
Getting Started.....3

CARE AND CLEANING4

CONSUMER SUPPORT5

LIMITED WARRANTY6

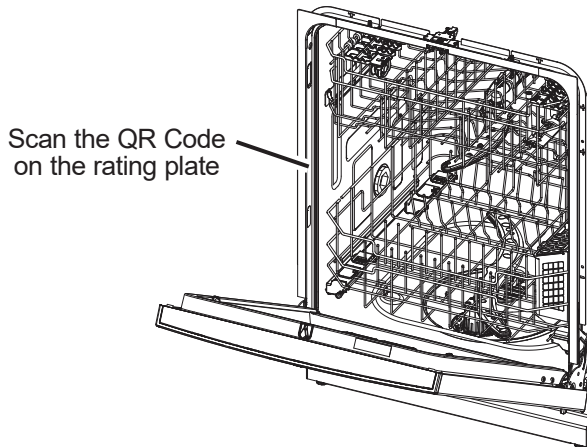
MONOGRAM WARRANTY7

INSTALLATION INSTRUCTIONS8

**OWNER'S GUIDE
& INSTALLATION
INSTRUCTIONS**

**ENGLISH/FRANÇAIS/
ESPAÑOL**

For the latest information, scan the QR Code on the rating plate found on the tub wall just inside the door.



This manual contains the Installation Instructions. Follow these instructions completely.

LEARN MORE - In an effort to conserve the earth's resources, this appliance also comes with this condensed Owner's Guide. The complete Owner's Manual for your model can be found online by scanning your models QR Code or through the website listed in the Consumer Support section.

Write the model and serial numbers here:

Model # _____

Serial # _____

You can find them on a label on the tub wall just inside the door.

GE is a trademark of the General Electric Company. Manufactured under trademark license.

IMPORTANT SAFETY INFORMATION - READ ALL INSTRUCTIONS BEFORE USING - SAVE THESE INSTRUCTIONS

▲ WARNING For your safety, the information in this manual must be followed to minimize the risk of fire, explosion, electric shock, and to prevent property damage, personal injury, or death.

▲ WARNING PROPER INSTALLATION AND MAINTENANCE

This dishwasher must be properly installed and located in accordance with the Installation Instructions before it is used. If you did not receive an Installation Instructions sheet with your dishwasher, you can receive one by visiting GEAppliances.com. In Canada, visit www.GEAppliances.ca.

- Connect the dishwasher/appliance to a grounded metal, permanent wiring system; or run an equipment-grounding conductor with the circuit conductors and connect to the equipment-grounding terminal or lead of the appliance.
- Improper connection of the equipment-grounding conductor can result in a risk of electric shock. Check with a qualified electrician or service representative if you are in doubt whether the appliance is properly grounded.
- Detailed grounding instructions can be found in the "PREPARE ELECTRICAL WIRING" section of the Installation Instructions.
- Consider recycling options for your appliance packaging material.
- Do not attempt to repair or replace any part of your dishwasher unless it is specifically recommended in this manual. All other servicing should be referred to a qualified technician.
- Use only cord kit WX09X70910 (5.4 ft) or WX09X70911 (7.9 ft) or hard-wire to building electrical. Failure to follow this instruction, could result in risk of fire and personal injury.
- To minimize the possibility of electric shock, disconnect this appliance from the power supply before attempting any maintenance.

NOTE: Turning the dishwasher off does not disconnect the appliance from the power supply. We recommend having a qualified technician service your appliance.

▲ WARNING WHEN USING YOUR DISHWASHER, FOLLOW BASIC PRECAUTIONS, INCLUDING THE FOLLOWING:

- Use this appliance only for its intended purpose as described in this Owner's Manual.
- Use only detergents or wetting agents recommended for use in a dishwasher and keep them out of reach of children. Using a detergent that is not specifically designed for dishwashers will cause the dishwasher to fill with suds.
- Locate sharp items so that they are not likely to damage the door seal.
- Load sharp knives with the handles up to reduce the risk of cut-type injuries.
- Do not wash plastic items unless marked dishwasher safe or the equivalent. For plastic items not so marked, check the manufacturer's recommendations.
- Do not touch the heating element during or immediately after use.
- Do not operate your dishwasher unless all enclosure panels are properly in place.
- Do not tamper with controls.
- Do not abuse, sit on or stand on the door or dish rack of dishwasher.
- To reduce the risk of injury, do not allow children to play with, on or inside this appliance at any time.
- Do not store or use combustible materials including gasoline or other flammable liquids or vapors in the vicinity of this or any other appliance.
- Small parts, such as rack clips, can be a choke hazard to small children if removed from the dishwasher. Keep out of reach of small children.

▲ WARNING WATER HEATER SAFETY

Under certain conditions, hydrogen gas may be produced in a water heater that has not been used for two or more weeks. **HYDROGEN GAS IS EXPLOSIVE.** If the hot water has not been used for two or more weeks, prevent the possibility of damage or injury by turning on all hot water faucets and allowing them to run for several minutes. Do this before using any electrical appliance connected to the hot water system. This simple procedure will allow any built-up hydrogen gas to escape. Since the gas is flammable, do not smoke, use an open flame, or use the appliance during this process.

▲ WARNING RISK OF CHILD ENTRAPMENT

PROPER DISPOSAL OF THE DISHWASHER

Junked or abandoned dishwashers are dangerous...even if they will sit for "just a few days." If you are getting rid of your dishwasher, please follow the instructions below to help prevent accidents.

- Do not allow children to play with, on, or inside this or any discarded appliance.
- Take off the door of the washing compartment.

▲ CAUTION TO PREVENT MINOR INJURY AND PROPERTY DAMAGE

- During or after wash cycle, contents may be hot to the touch. Use care before handling.
- Close supervision is necessary if this appliance is used by or near children. Do not allow children to play around the dishwasher when closing the door, closing the upper rack, or while vertically adjusting the upper rack due to the possibility of small fingers being pinched.
- Non-Dishware Items: Do not wash items such as electronic air cleaner filters, furnace filters and paint brushes in your dishwasher. Damage to the dishwasher and discoloration or staining of the dishwasher may result.
- Load light-weight, plastic items so they do not become dislodged and drop to the bottom of the dishwasher—they might come into contact with the heating element and be damaged.

Proper Disposal of your Appliance

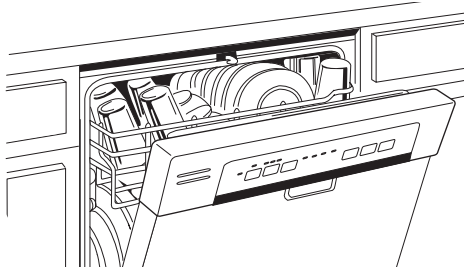
- Dispose of or recycle your appliance in accordance with Federal and Local Regulations. Contact your local authorities for the environmentally safe disposal or recycling of your appliance.

READ AND FOLLOW THIS SAFETY INFORMATION CAREFULLY. **SAVE THESE INSTRUCTIONS**

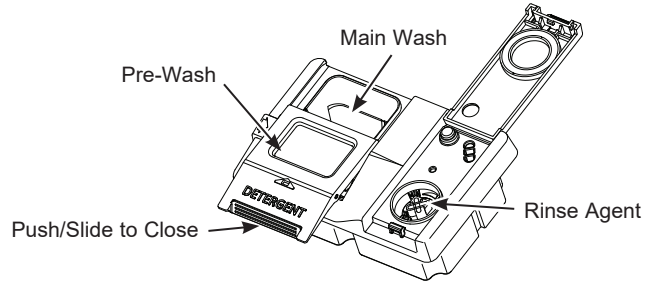
Getting started

Features and appearance will vary throughout this manual

1 Scrape off scraps and load dishes



2 Add detergent and rinse agent



3 Select cycle**

Select
Cycle

- Heavy
- Normal
- Light
- Rinse
- 1 Hour Wash

4 Select options**

2 4 8
• • •
Delay
Hours

Sani
•
Steam

Boost
•
Wash
Temp

Normal High
• •
Dry
Boost

- Controls Hold 3 Sec

5 Start and close the door within 4 seconds

Start

Cancel
Hold 3 Sec

Cycle and Option Examples - The light by the selected pad will be lit to indicate which Cycle and Option has been selected.

These cycles and options were used to rate the energy efficiency of this dishwasher and vary by model.

Normal/Everyday	This cycle is meant for daily, regular, or typical use to completely wash a full load of normally soiled dishes and is designed to conserve both water and energy. Normal/Everyday was used to rate the energy efficiency of this dishwasher.
Heated Dry	(on some models) This option can be selected by pressing the Dry pad once to illuminate the Heated light. This setting will greatly improve your dry performance for daily, regular or typical dishes. The heated dry option will typically add 48 to 64 minutes to your cycle time. This option is not available with the Rinse cycle. NOTE: The use of rinse aid can further enhance the dishwasher's drying performance. On models with this feature, Heated Dry was selected to rate the energy efficiency of this dishwasher.
Dry Boost	Normal (on some models) - Turns on the option for faster drying. This option may add up to 64 minutes to the cycle time. This option is not available with the Rinse cycle. On models with this feature, Dry Boost Normal was selected to rate the energy efficiency of this dishwasher.

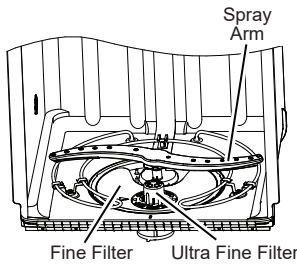
* Use high quality detergents such as **Cascade® Platinum™ ActionPacs™** or **Finish® Quantum® Automatic Dishwashing Detergent** and high quality rinse agents such as **Cascade® Platinum™ Power Dry™ Rinse Aid** or **Finish® Jet-Dry® Rinse Aid**.

** Varies by model

Care and cleaning

Filters

Inspect and clean the filters periodically. This should be done every other month or more depending on usage. If there is a decrease in wash performance or dishes feel gritty, this is also an indication the filters need to be cleaned.



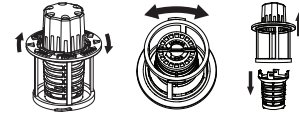
Ultra-Fine Filter Assembly

To clean the Ultra-Fine Filter assembly, remove the bottom rack. Twist the Ultra-Fine Filter assembly counterclockwise and lift to remove for cleaning. Rinse filter with warm soapy water and use a sponge to carefully remove any stubborn particles.

For models with a 2-piece Ultra-Fine Filter assembly with an additional Filter Basket for food particles, twist the Filter Basket in the counterclockwise direction to unlock it from the Ultra-Fine Filter assembly. See directional arrows on the bottom of the Filter Basket. Pull the Filter Basket to remove from the assembly, throw away any food particles, rinse with warm soapy water, and use a sponge to remove any stubborn particles.

Once cleaned, replace Filter Basket back into the Ultra-Fine Filter assembly and twist it clockwise to lock into place.

2-piece - Ultra-fine Filter assembly with additional Filter Basket (on some models)



Fine Filter

To clean the Fine Filter (mesh plate), remove the bottom rack. Remove the Ultra-Fine Filter. Remove the Fine Filter. Rinse filter with warm soapy water. Scouring pads or brushes can scratch the filter surface but a soft brush or sponge may be needed to remove stubborn soils or calcium deposits caused by hard water. Once cleaned, replace the Fine Filter and the Ultra-Fine Filter.

Exterior Door Panel

Before cleaning the front panel, make sure you know what type of panel you have. Refer to the last two letters of your model number. You can locate your model number on the left-hand tub wall just inside the door.

- If your model number ends with BB, CC, WW, SA, SH, ES, DS, TS, FS, W2 or D1 then you have a painted door panel.
- If your model number ends with SS, then you have a Stainless Steel door panel.
- If your model number ends with II, then you have an Integrated door panel.
- If your model number ends with S5, then you have a glass door panel.

Follow the instructions for cleaning door panel for your model.

Painted/Coated Door Panels (model numbers ending in BB–black, CC–bisque, WW–white, SA–silver, SH–PRO steel, ES–slate, DS–black slate, TS–black stainless steel, FS–fingerprint resistant stainless steel, W2–matte white or D1–matte black)

⚠ DO NOT use Stainless Steel cleaners on the door surfaces.
Use a clean, soft, lightly dampened cloth, then dry thoroughly.

Stainless Steel Door Panel (model numbers ending in SS)

For cleaning rust and tarnish, cleaners with oxalic acid such as Bar Keepers Friend Soft Cleanser™ will remove rust, tarnish and small blemishes. Use only a liquid cleanser free of grit and rub in the direction of the brush lines with a damp soft sponge. Do not use appliance wax or polish on the stainless steel.

For other blemishes and marks, use Stainless Steel Magic or a similar product using a clean soft cloth. Do not use appliance wax, polish, bleach or products containing chlorine on Stainless Steel. You can order Stainless Steel Magic #WX10X29 through GE Appliances Parts by calling 877.959.8688. In Canada, call 800-661-1616.

Integrated Door Panel (model numbers ending in II)

This is a custom installed door panel, and you will need to refer to the cabinet manufacturers recommendations for proper cleaning.

Glass Door Panel (model numbers ending in S5)

Use a glass cleaner or mild soap and water and a soft cloth to clean the glass door.

Do not use any abrasive powders.

Consumer Support

Brand	Contact	Service
Monogram	US: monogram.com/contact/ or 800.444.1845 Canada: monogram.ca/en/contact or 888.880.3030	US: GEAppliances.com/ge/service-and-support/service.htm or 800.444.1845 Canada: service.geappliances.ca/servicio/ or 888.880.3030
GE Appliances/ Profile	US: GEAppliances.com/contact or 800.626.2000 Canada: geappliances.ca/contact-us or 877.994.5366	US: GEAppliances.com/service or 800.432.2737 Canada: geappliances.ca/after-sales-support or 800.561.3344
Café	US: cafeappliances.com/contact Canada: cafeappliances.ca/support/contact-us	US: cafeappliances.com/service Canada: cafeappliances.ca/support/contact-us
Hotpoint	US: Hotpoint.com or 800.626.2005 Canada: Hotpoint.com or 800.626.2005	US: GEAppliances.com/service or 800.432.2737 Canada: GEAppliances.ca/en/support/service-request or 800.561.3344
Haier	US: haierappliances.com/support/contact-us Canada: haiercanada.ca/contact-us	US: haierappliances.com/support/schedule-service Canada: haiercanada.ca/service

Dishwasher Limited Warranty

Staple your receipt here. Proof of the original purchase date is needed to obtain service under the warranty.

All warranty service is provided by our Factory Service Centers, or an authorized Customer Care® technician. To schedule service, see the **Consumer Support** section. Please have your serial number and your model number available when calling for service.

Servicing your appliance may require the use of the onboard data port for diagnostics. This gives a GE Appliances factory service technician the ability to quickly diagnose any issues with your appliance and helps GE Appliances improve its products by providing GE Appliances with information on your appliance. If you do not want your appliance data to be sent to GE Appliances, please advise your technician not to submit the data to GE Appliances at the time of service.

For the period of:	We will replace:
One year From the date of the original purchase	Any part of the dishwasher which fails due to a defect in materials or workmanship. During this limited one-year warranty , we will also provide, free of charge , all labor and related service to replace the defective part.

What is not covered:

- Service trips to your home to teach you how to use the product.
- Improper installation, delivery or maintenance.
- Failure of the product if it is abused, misused, or used for other than the intended purpose or used commercially.
- Replacement of house fuses or resetting of circuit breakers.
- Products which are not defective or broken, or which are working as described in the Owner's Manual.
- Damage to the product caused by accident, fire, floods or acts of God.
- Incidental or consequential damage caused by possible defects with this appliance.
- Defects or damage due to operation in freezing temperatures.
- Damage caused after delivery including damage from items dropped on the door.
- Product not accessible to provide required service.
- Cleaning or servicing of the air gap device in the drain line.

EXCLUSION OF IMPLIED WARRANTIES

Your sole and exclusive remedy is product repair as provided in this Limited Warranty. Any implied warranties, including the implied warranties of merchantability or fitness for a particular purpose, are limited to one year or the shortest period allowed by law.

In the United States:

This limited warranty is extended to the original purchaser and any succeeding owner for products purchased for home use within the USA. If the product is located in an area where service by a GE Appliances Authorized Servicer is not available, you may be responsible for a trip charge or you may be required to bring the product to an Authorized GE Appliances Service location for service. In Alaska, the limited warranty excludes the cost of shipping or service calls to your home.

Some states do not allow the exclusion or limitation of incidental or consequential damages. This limited warranty gives you specific legal rights, and you may also have other rights which vary from state to state. To know what your legal rights are, consult your local or state consumer affairs office or your state's Attorney General.

Warrantor: GE Appliances, a Haier Company
Louisville, KY 40225

In Canada:

This limited warranty is extended to the original purchaser and any succeeding owner for products purchased in Canada for home use within Canada. If the product is located in an area where service by a GE Appliances Authorized Servicer is not available, you may be responsible for a trip charge or you may be required to bring the product to an Authorized GE Appliances Service location.

Some provinces do not allow the exclusion or limitation of incidental or consequential damages. This limited warranty gives you specific legal rights, and you may also have other rights which vary from province to province. To know what your legal rights are, consult your local or provincial consumer affairs office.

Warrantor: MC Commercial Inc., Burlington, ON, L7R 5B6

Extended Warranties: Purchase a GE Appliances extended warranty and learn about special discounts that are available while your warranty is still in effect. You can purchase it online anytime at

GEAppliances.com/extended-warranty

or call 800.626.2224 during normal business hours. GE Appliances Service will still be there after your warranty expires.

MONOGRAM DISHWASHER WARRANTY

Staple sales slip or cancelled check here. Proof of original purchase date is needed to obtain service under warranty.

WHAT IS COVERED - From the Date of the Original Purchase

Two Years

Any part of the dishwasher which fails due to a defect in materials or workmanship. During this **limited two year warranty**, Monogram will also provide, **free of charge**, all labor and in-home service to replace the defective part.

Three to Five Years

The dishwasher rack, if it should rust, or **the electronic control module**, if it should fail due to a defect in materials or workmanship. During this **three to five year limited warranty**, you will be responsible for any labor or in-home service costs.

Lifetime

The stainless steel tub or door liner, if it fails to contain water due to a defect in materials or workmanship. During this **limited lifetime warranty**, Monogram will also provide, **free of charge**, all labor and in-home service to replace the defective part.

In the USA: This warranty is extended to the original purchaser and any succeeding owner for the products purchased for ordinary home use in the 48 mainland states, Hawaii or Washington, D.C.

If the product is located in an area where service by a Monogram Authorized Servicer is not available, you may be responsible for a trip charge or you may be required to bring the product to an Authorized Monogram Service location for service. In Alaska the warranty is the same except that it is LIMITED because you must pay to ship the product to the service shop or for the service technician's travel cost to your home.

In Canada: This warranty is extended to the original purchaser and any succeeding owner for products purchased in Canada for ordinary home use in Canada. In-home warranty service will be provided in areas where it is available and deemed reasonable by Monogram to provide. Proof of original purchase date is needed to obtain service under the warranty.

All warranty service will be provided by our Factory Service Centers or by our authorized Customer Care® servicers during normal working hours.

Should your appliance need service, during warranty period or beyond, call Monogram Preferred in the USA at 800-444-1845 or in Canada call 888-880-3030. Please have serial number and model number available when calling for service.

WHAT IS NOT COVERED

- Service trips to your home to teach you how to use the product.
- Improper installation, delivery or maintenance.
- Replacement of house fuses or resetting of circuit breakers.
- Failure of the product if it is abused, misused, or used for other than the intended purpose or used commercially.
- Damage to the product caused by accident, fire, floods or acts of God.
- Incidental or consequential damage caused by possible defects with this appliance.
- Cleaning or servicing of the air gap device in the drain line.
- Damage caused after delivery, including damage from items dropped on the door.
- Product not accessible to provide required service.
- Damage to finish, such as surface rust, tarnish, or small blemishes not reported within 48 hours of delivery.

EXCLUSION OF IMPLIED WARRANTIES—Your sole and exclusive remedy is product repair as provided in this Limited Warranty. Any implied warranties, including the implied warranties of merchantability or fitness for a particular purpose, are limited to one year or the shortest period allowed by law.

Some states/provinces do not allow the exclusion or limitation of incidental or consequential damages, so the above limitation or exclusion may not apply to you. This warranty gives you specific legal rights, and you may also have other rights which vary from state to state/ province to province. To know what your legal rights are in your state/province, consult your local or state/provincial consumer affairs office or your state's Attorney General.

Warrantor in the USA: GE Appliances, a Haier company, Louisville, KY 40225

Warrantor in Canada: MC Commercial Inc., Burlington, ON, L7R 5B6



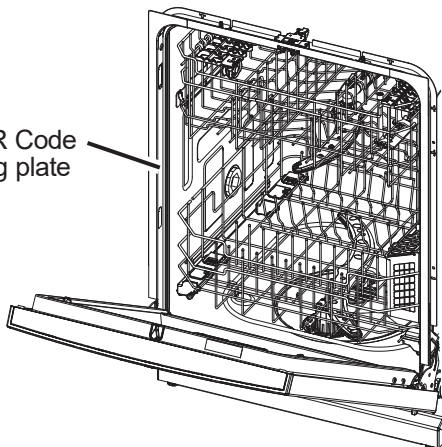
MONOGRAM

Installation Instructions

Built-In Dishwashers

For the latest information, scan the QR code on the rating plate found on the tub wall just inside the door.

Scan the QR Code on the rating plate



BEFORE YOU BEGIN

Read these instructions completely and carefully.

⚠ WARNING

- To reduce the risk of electric shock, fire, or injury to persons, the installer must ensure that the dishwasher is completely enclosed at the time of installation.
- **FOR PERSONAL SAFETY:** Remove house fuse or open circuit breaker before beginning installation. Do not use an extension cord or adapter plug with this appliance.
- The improper connection of the equipment grounding conductor can result in a risk of electric shock. Check with a qualified electrician or service representative if you are in doubt that the appliance is properly grounded.
- If house wiring is not 2-wire with ground, a ground must be provided by the installer. When house wiring is aluminum, be sure to use UL-Listed anti-oxidant compound and aluminum-to-copper connectors.
- To reduce the risk of electric shock, fire, or injury to persons, the installer should check to ensure that wires are not pinched or damaged, the house wiring is attached to the junction box bracket through a strain relief, and all electrical connections made at the time of install (wire nuts) are contained inside of the junction box cover.

⚠ CAUTION

Do not remove wood base until you are ready to install the dishwasher. The dishwasher will tip over when the door is opened if base is removed.

While performing installations described in this booklet, gloves, safety glasses or goggles should be worn.

FRONT PANEL ACCESSORY

Custom front panel models include a kit that contains a template, hardware and panel installation instructions. Refer to the kit instructions when installing the custom panel.

If a custom panel mounting hardware kit and template are needed, prior to delivery of the dishwasher, order: **WD35X25996**.

FOR YOUR SAFETY

Read and observe all WARNINGS and CAUTIONS shown throughout these instructions.

IMPORTANT – Observe all governing codes and ordinances.

- **Note to Installer** – Be sure to leave these instructions for the consumer's and local inspector's use.
- **Note to Consumer** – Keep these instructions with your Owner's Manual for future reference.
- **Skill Level** – Installation of this dishwasher requires basic mechanical, electrical and plumbing skills. **Proper installation is the responsibility of the installer. Product failure due to improper installation is not covered under the GE Appliances Warranty. See Warranty information.**
- **Completion Time – 1 to 3 Hours.** New installations require more time than replacement installations.

IMPORTANT – The dishwasher **MUST** be installed to allow for future removal from the enclosure if service is required.

Care should be exercised when the appliance is installed or removed, to reduce the likelihood of damage to the power supply cord.

If you received a damaged dishwasher, you should immediately contact your dealer or builder.

Optional Accessories – See the Owner's Manual for available custom panel kits.

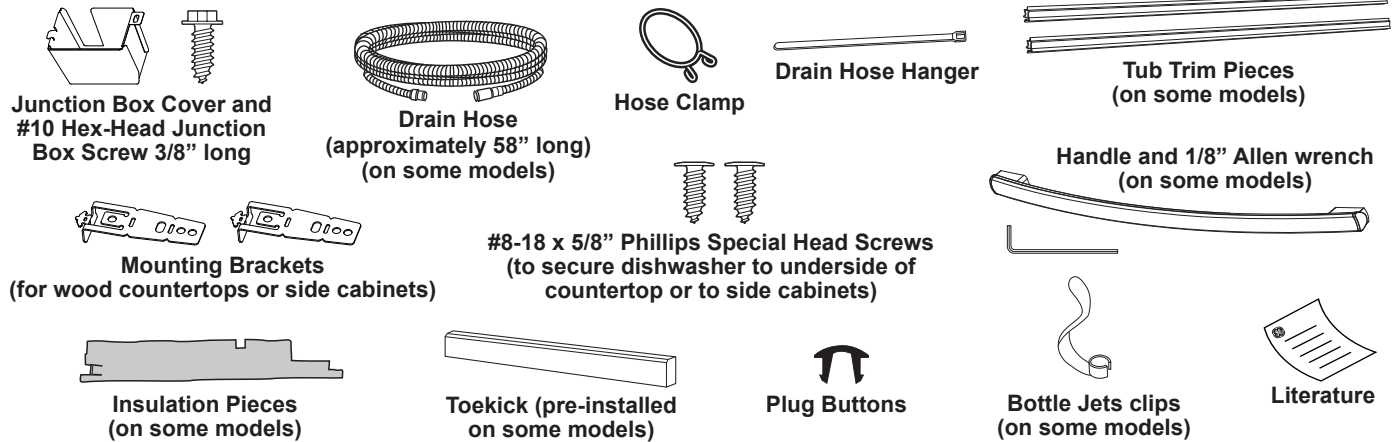
Your dishwasher is a water heating appliance.

NOTE: Consider recycling options for your appliance packaging material.

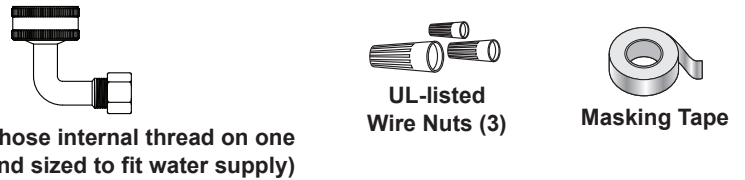
**READ CAREFULLY
KEEP THESE INSTRUCTIONS**

Installation Preparation

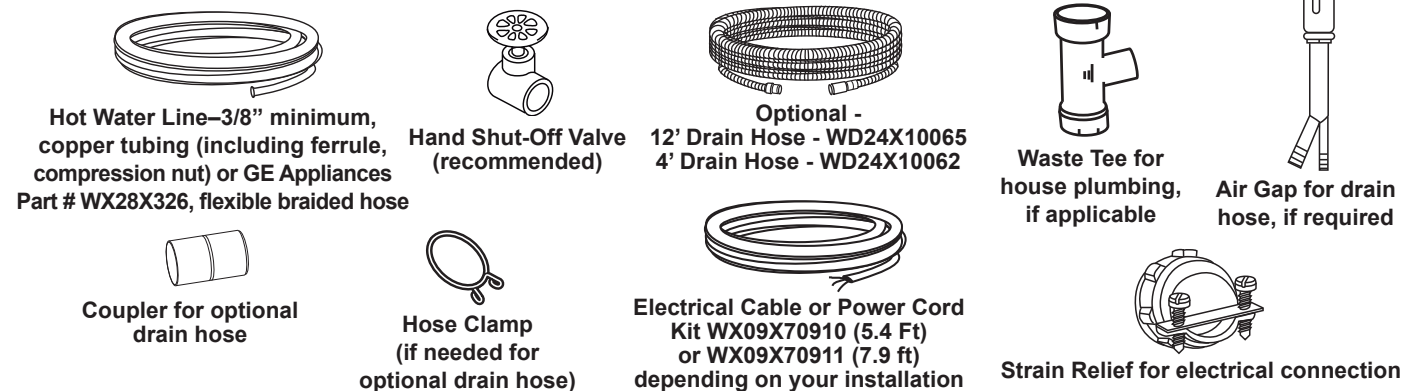
PARTS SUPPLIED IN INSTALLATION PACKAGE:



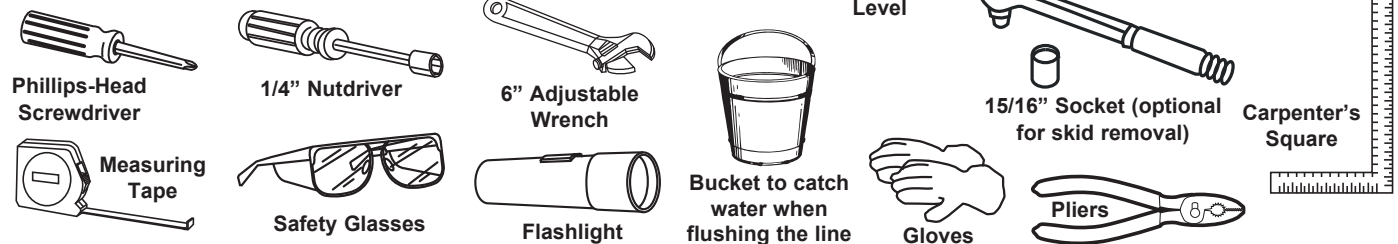
MATERIALS YOU WILL NEED:



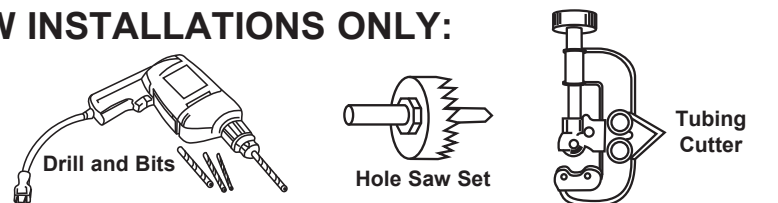
MATERIALS YOU WILL NEED FOR NEW INSTALLATIONS ONLY:



TOOLS YOU WILL NEED:

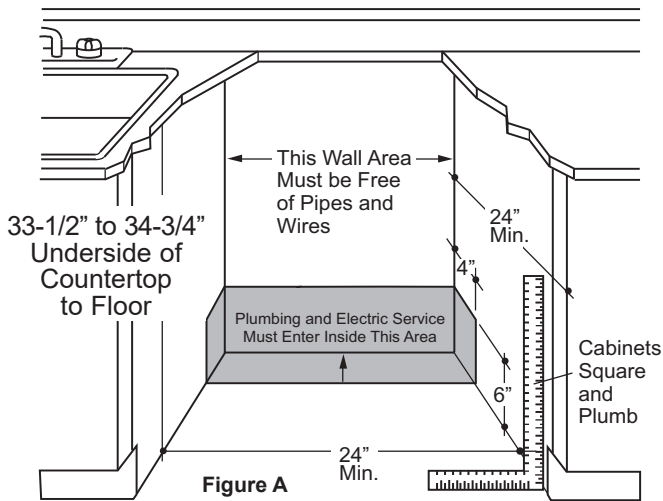


TOOLS YOU WILL NEED FOR NEW INSTALLATIONS ONLY:



Installation Preparation

PREPARE DISHWASHER ENCLOSURE



- The rough cabinet opening must be at least 24" deep, 24" wide and approximately 34-1/2" high from floor to underside of the countertop.
- The dishwasher must be installed so that drain hose is no more than 16' in length for proper drainage.
- The dishwasher must be fully enclosed on the top, sides and back, and must not support any part of the enclosure.

⚠ WARNING

To reduce the risk of electric shock, fire, or injury to persons, the installer must ensure that the dishwasher is completely enclosed at the time of installation.

DISHWASHER HANDLE DIMENSION: The dishwasher door should be flush with the cabinet. For models with a handle, the total depth (with handle) is 26-1/4" max. depending on the model. Locate the Quick Specs document online for more dishwasher dimensions.

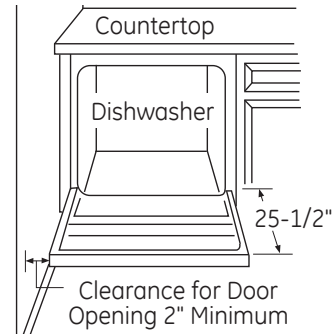


Figure B

CLEARANCES: When installed into a corner, allow 2" min. clearance between dishwasher and adjacent cabinet, wall or other appliances. Allow 25-1/2" min. clearance from the front of the dishwasher for door opening.

DRAIN REQUIREMENTS

- Follow local codes and ordinances.
- Do not exceed 16' distance to drain.

NOTE : Air gap must be used if waste tee or disposer connection is less than 18" above floor to prevent siphoning.

DETERMINE DRAIN METHOD

The type of drain installation depends on the following questions.

- Do local codes or ordinances require an air gap?
- Is waste tee less than 18" above floor?

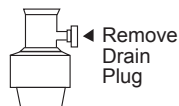
If the answer to either question is YES, Method 1 MUST be used.

- If the answers are NO, either method may be used.

CABINET PREPARATION

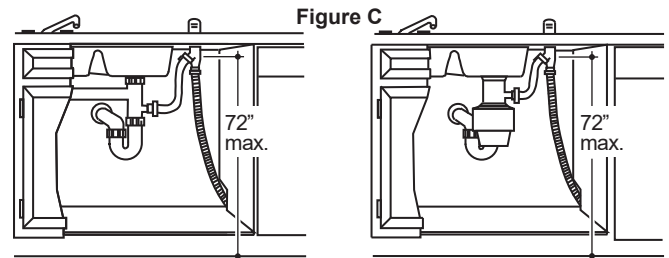
- Drill a 1-1/2" diameter hole in the cabinet wall within the shaded areas shown in **PREPARE DISHWASHER ENCLOSURE** section for the drain hose connection. The hole should be smooth with no sharp edges.

IMPORTANT – When connecting drain line to disposer, check to be sure that drain plug has been removed. **DISHWASHER WILL NOT DRAIN IF PLUG IS LEFT IN PLACE.**



Method 1 – Air Gap with Waste Tee or Disposer

An air gap must be used when required by local codes and ordinances. The air gap must be installed according to manufacturer's instructions.



Method 2 – "High Drain Loop" with Waste Tee or Disposer

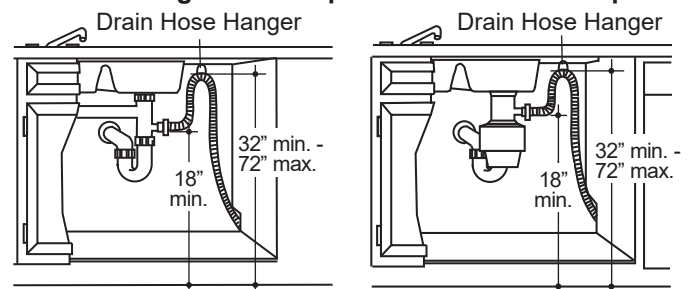


Figure D

Tip: Avoid unnecessary service call charges.

Always be sure disposer drain plug has been removed before attaching dishwasher drain hose to the disposer.

Installation Preparation

PREPARE ELECTRICAL WIRING

⚠ WARNING

FOR PERSONAL SAFETY: Remove house fuse or open circuit breaker before beginning installation. Do not use an extension cord or adapter plug with this appliance.

ELECTRICAL REQUIREMENTS

Be sure that the electrical connection and wire size are adequate and in conformance with the National Electric Code, ANSI/NFPA 70 – latest edition, and all local codes and ordinances.

This appliance must have:

- 120V, 60Hz, AC-only, 15-ampere or 20-ampere, fused electrical supply.
- Wiring must be 2 wire with ground and rated for 75°C (167°F).
- If the electrical supply does not meet the above requirements, call a licensed electrician before proceeding.

It is recommended to have:

- A circuit breaker or time-delay fuse.
- A properly grounded individual branch circuit.

Grounding Instructions—Permanent Connection

This appliance must be connected to a grounded metal, permanent wiring system, or an equipment-grounding conductor must be run with the circuit conductors and be connected to the equipment-grounding terminal or lead on the appliance.

Grounding Instructions—Power Cord Models

This appliance must be grounded. In the event of a malfunction or breakdown, grounding will reduce the risk of electric shock by providing a path of least resistance for electric current. This appliance is equipped with a cord having an equipment-grounding conductor and a grounding plug. The plug must be plugged into an appropriate outlet that is installed and grounded in accordance with all local codes and ordinances.

⚠ WARNING

The improper connection of the equipment grounding conductor can result in a risk of electric shock. Check with a qualified electrician or service representative if you are in doubt that the appliance is properly grounded.

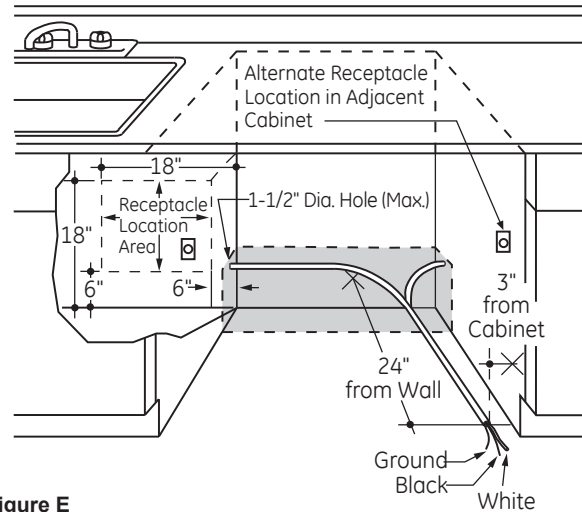


Figure E

⚠ WARNING

For models equipped with power cord: Do not modify the plug provided with the appliance; if it will not fit the outlet, have a proper outlet installed by a qualified technician.

Cabinet Preparation & Wire Routing

- The wiring may enter the opening from either side, rear or the floor within the shaded area illustrated above in Figure E and defined in Figure A.
- Cut a 1-1/2" maximum diameter hole to admit the electrical cable. Edges of hole should be smooth and rounded. Permanent wiring connections may pass through the same hole as the drain hose and hot water line, if convenient. If cabinet wall is metal, the hole edge must be covered with a bushing.

NOTE: Power cords with plug must pass through a separate hole in the cabinet.

Electrical Connection to Dishwasher

Electrical connection is on the right front of dishwasher.

- For permanent connections the cable must be routed as shown in Figure E. Cable must extend a minimum of 24" from the rear wall.
- For power cord connections, install a 3-prong grounding type receptacle in the sink cabinet rear wall, 6" min. or 18" maximum from the opening, 6" to 18" above the floor.
- Use only **WX09X70910** or **WX09X70911** Dishwasher Power Cord Kit.

Installation Preparation

PREPARE HOT WATER LINE

NOTE: GE Appliances recommends copper tubing for the water line, but if you choose to use flexible hose, use GE Appliances **WX28X326**, flexible braided hose.

- The water supply line (3/8" copper tubing or flexible braided hose) may enter from either side, rear or floor within the shaded area shown in Figure F.
- The water supply line may pass through the same hole as the electrical cable and drain hose. Or, cut an additional 1-1/2" diameter hole to accommodate the water line. If power cord with plug is used, water line must not pass through power cord hole.

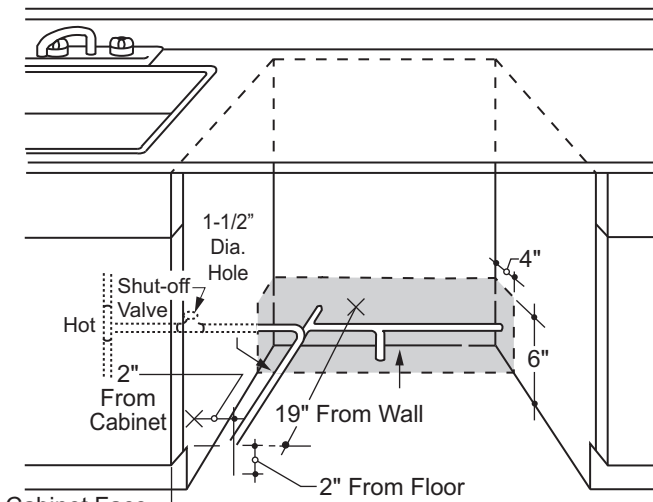


Figure F

WATER LINE CONNECTION

- If using a flexible braided supply hose, label the hose with the installation date to use as reference. Flexible braided hoses, elbows and gaskets should be replaced in 5 years.
- Turn off the water supply.
- Install a hand shut-off valve in an accessible location, such as under the sink. (Optional, but strongly recommended and may be required by local codes.)
- Water connection is on the left side of the dishwasher. Install the hot water inlet line, using no less than 3/8" copper tubing or a flexible braided hose. Route the line as shown in Figure F and extend forward at least 19" from rear wall.
- Adjust water heater for 120°F to 140°F temperature.
- Flush water line to clean out debris.
- The hot water supply line pressure must be 20-120 PSI.

⚠ CAUTION

Do not remove wood base until you are ready to install the dishwasher. The dishwasher will tip over when the door is opened if base is removed.

Turn page to begin dishwasher installation.

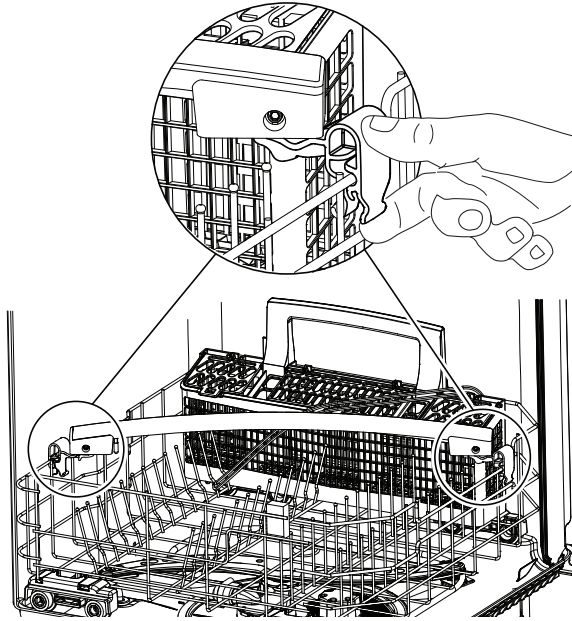
LOCATE THE ITEMS IN THE INSTALLATION PACKAGE

- Screws
- Junction box cover
- Drain hose and clamp
- Mounting brackets
- Trim pieces (on some models)
- Drain hose hanger
- Owner's Manual
- Product samples and/or coupons

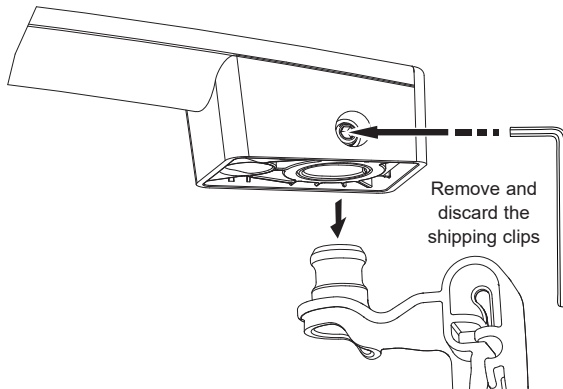
Dishwasher Installation

STEP 1 INSTALL HANDLE (on some models)

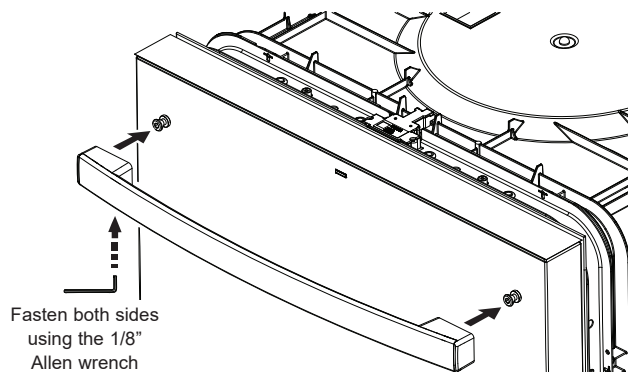
- Remove the packaged handle from the lower rack by pulling its shipping clips out and up.



- Using the provided 1/8" Allen wrench, loosen the set screws to remove the shipping clips and discard them.



- Place the handle on the dishwasher door mounting fasteners, with the set screws on the bottom side, then tighten the set screws with the Allen wrench.



Fasten both sides using the 1/8" Allen wrench

STEP 2 CHECK DOOR BALANCE

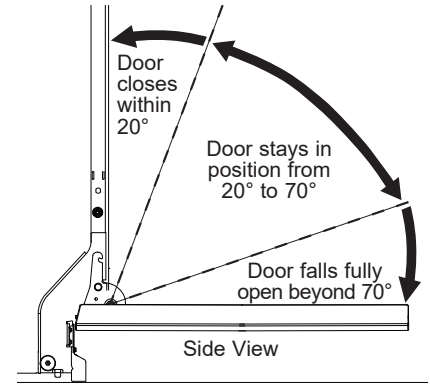
CAUTION

Opening the door will cause the dishwasher to tip forward when it is not fully installed. When opening the door prior to the dishwasher being fully installed, hold the top of the dishwasher securely with one hand and hold the door with the other hand. Gloves should be worn.



NOTE: If installing a Custom Door Panel (available on some models), please follow the instructions found in the Custom Door Panel kit **WD35X25996**.

- With dishwasher on the wood base and holding the top of the dishwasher firmly, check the door balance by opening and closing the door.



- Door is properly balanced if, when opened, it self closes within 20° from vertical, stays in position from 20° to 70° and falls fully open beyond 70°.
- If necessary increase or decrease tension as shown. Some models will have 2 springs on one side and 1 spring on the other side. Latch door and adjust springs to correct balance.

NOTE: Models with tubular base rails are **not** adjustable.

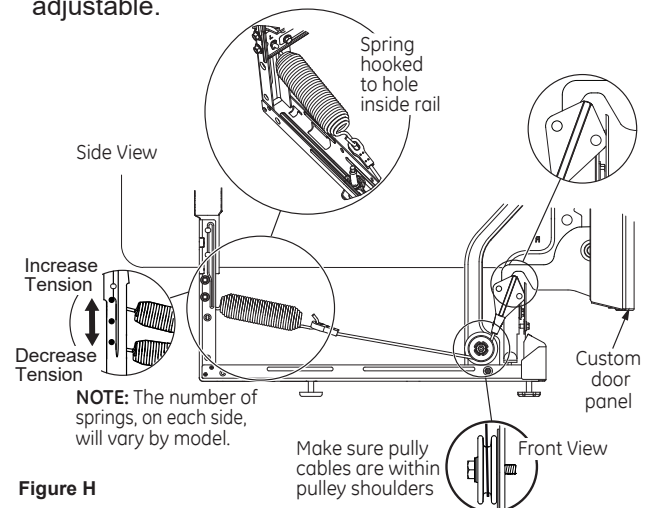


Figure H

Tip: Make sure door opens and closes smoothly.

Check door opening and closing. If door does not open easily or falls too quickly, check spring cable routing. The cable is held in place by "shoulders" on the pulley. Check to be sure cable has not slipped over the pulley shoulders and is routed as shown.

Dishwasher Installation

STEP 3 REMOVE WOOD BASE, INSTALL LEVELING LEGS

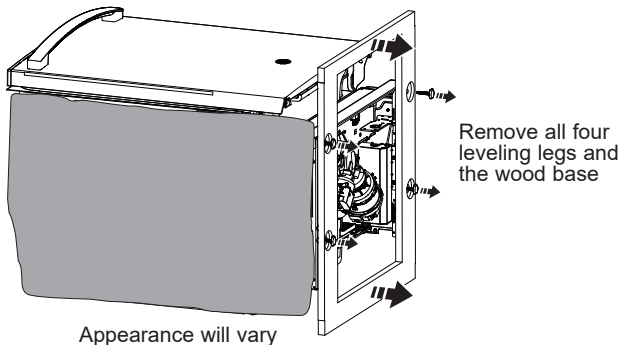
NOTE: Some models have an attached wood base.

CAUTION

Do not remove wood base until you are ready to install the dishwasher. The dishwasher will tip over when the door is opened if base is removed.

IMPORTANT – Do not kick off wood base! Damage will occur.

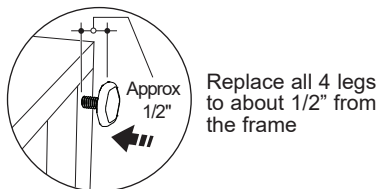
- Move the dishwasher close to the installation location and lay it on its back. **NOTE:** Do not place the dishwasher on its side.
- For models with an attached wood base, remove the 4 leveling legs on the underside of the wood base with a 15/16" socket wrench.
- Discard base.



Appearance will vary

- On models **without** the center bottom adjustable leveling system:

Screw leveling legs back into the dishwasher frame, approximately 1/2" from frame as shown.

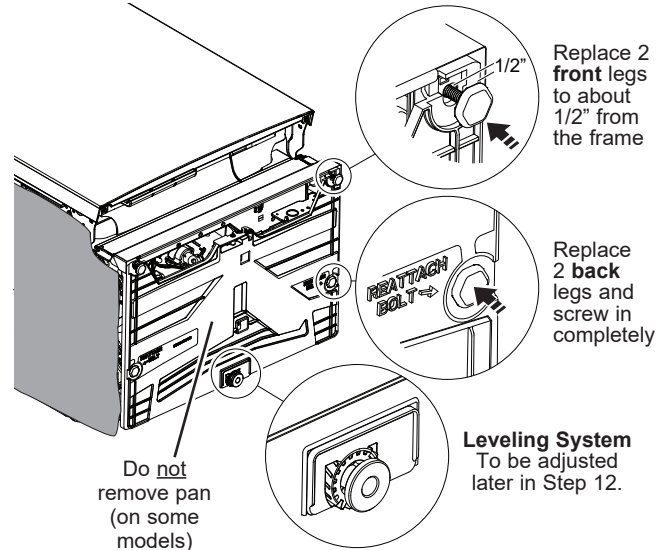


- On models **with** the center bottom adjustable leveling system:

Screw **front** leveling legs back into dishwasher frame approximately 1/2".

STEP 3 REMOVE WOOD BASE, INSTALL LEVELING LEGS (CONTINUED)

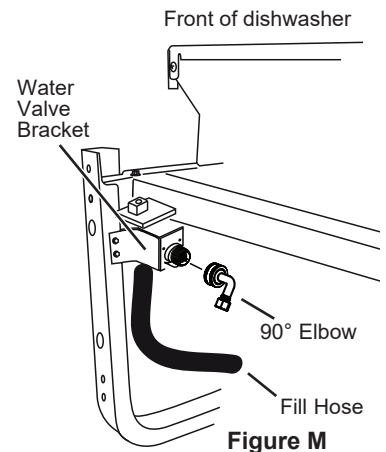
- Screw **rear** leveling legs completely in until fully seated.



NOTE: Pan (on some models) should not be removed during installation.

STEP 4 INSTALL 90° ELBOW

- Thread 90° elbow onto the water valve. Ensure rubber gasket is located between valve and elbow.
- Do not overtighten elbow. Water valve bracket could bend or water valve fitting could break.
- Position the end of the elbow to face the rear of the dishwasher.



STEP 5 INSTALL INSULATION PACKET (on some models)

If your model came with an insulation kit, follow the instructions provided with the kit and install it now.

Dishwasher Installation

STEP 6 POSITION WATER LINE AND HOUSE WIRING

- Position water supply line and house wiring on the floor of the opening to avoid interference with base of dishwasher and components under dishwasher.

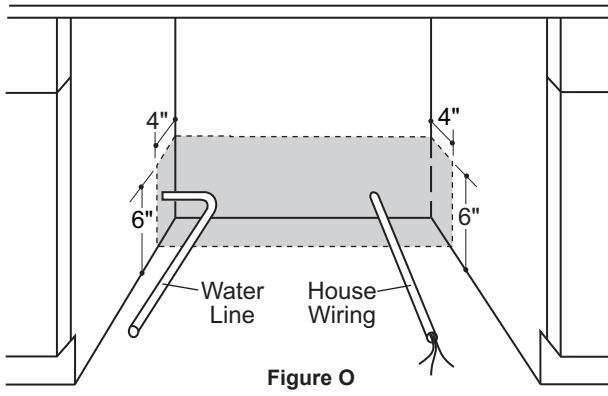
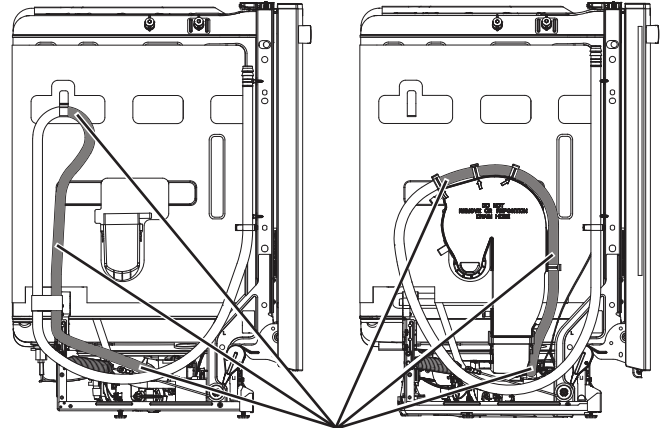


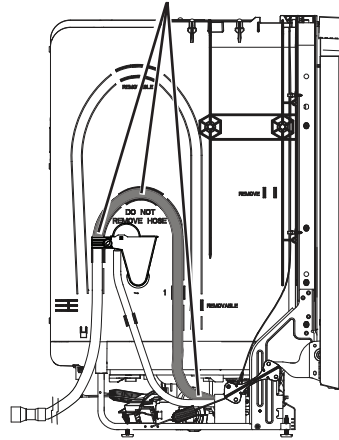
Figure O

STEP 7 INSTALL DRAIN HOSE, THROUGH CABINET

- Identify the illustration below that most closely matches your model and detach only the section of the drain hose shown in **white**.



Do **NOT** detach the section of the drain hose, highlighted in **gray**, from these locations



Dishwasher Installation

STEP 7 INSTALL DRAIN HOSE, THROUGH CABINET (CONT.)

- Position dishwasher in front of cabinet opening, and if present, dislodge drain hose from drain hose clip. Insert drain hose into the hole in cabinet side. If a power cord is used, guide the end through a separate cabinet opening.

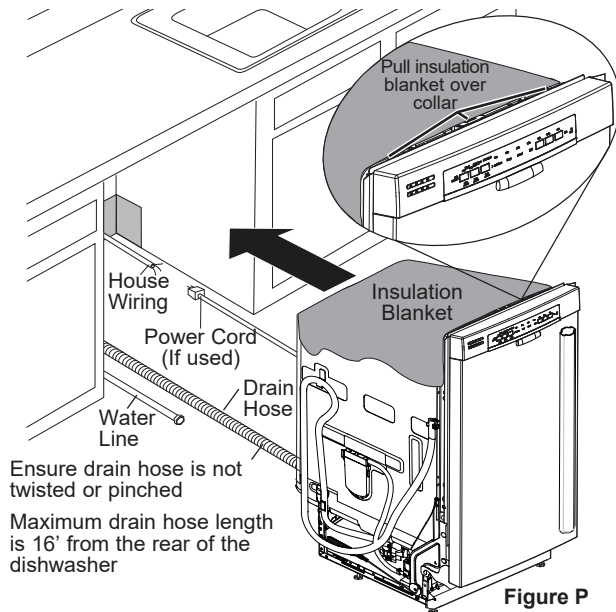


Figure P

Appearance will vary

Tip: Prevent unnecessary service call charges for fill, drain or noise concerns.

Position utility lines so they do not interfere with anything under or behind the dishwasher.

STEP 8 SLIDE DISHWASHER THREE-FOURTHS OF THE WAY INTO CABINET (CONTINUED)

- As you proceed, pull the drain hose through the opening under the sink. Stop pushing when the dishwasher extends about 6 inches forward of adjacent cabinets.
- Make sure drain hose is not kinked under or behind the dishwasher.
- Make certain the house wiring, drain line and water line do not interfere with components under dishwasher.

STEP 9 INSTALL TRIM PIECES

In this step you will need the trim pieces set aside earlier.

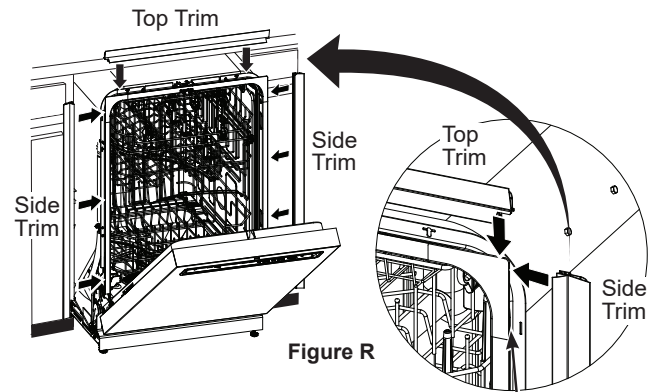
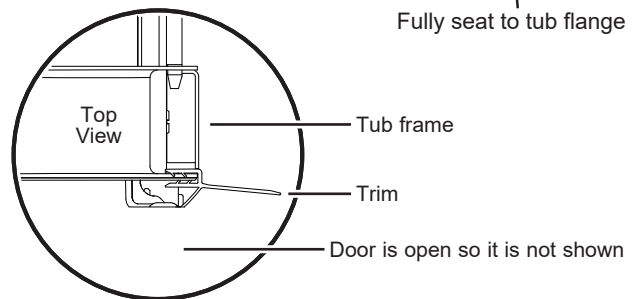


Figure R

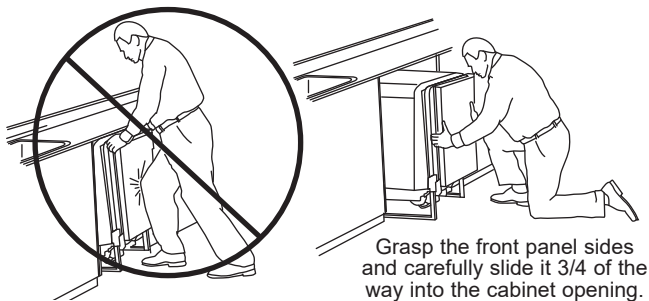
Fully seat to tub flange



STEP 8 SLIDE DISHWASHER THREE-FOURTHS OF THE WAY INTO CABINET

IMPORTANT – Do not push against front panel with knees. Damage will occur.

- Grasp the sides of the front panel and slide dishwasher into the opening a few inches at a time.



Do not push against the front door panel with knee. Damage to the door panel will occur.

Grasp the front panel sides and carefully slide it 3/4 of the way into the cabinet opening.

Figure Q

- Select the top trim piece (See Figure R) and line up center to the top latch. Press the trim piece onto the tub flange moving from one side to the other.
- Select the left trim piece (see Figure R). Align top edge with the top trim and press it onto the left side of the tub flange moving from the top to the bottom. Repeat for the right side tub flange trim piece. (See Figure R for right side trim piece.)

Dishwasher Installation

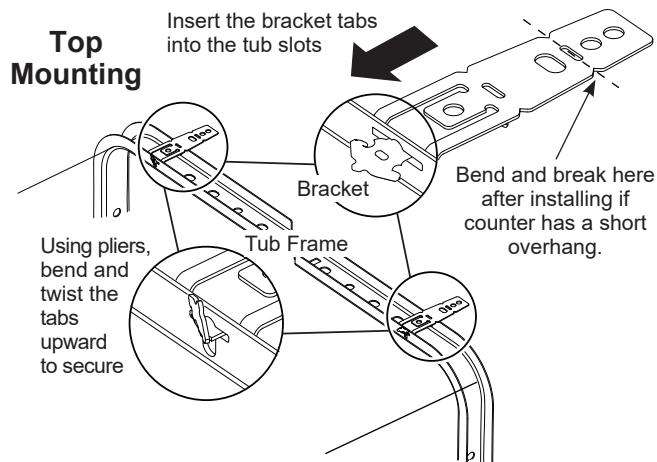
STEP 10 INSTALL MOUNTING BRACKETS

You will need the mounting brackets set aside earlier.

You must install the mounting brackets onto the dishwasher tub frame top **OR** sides prior to sliding the dishwasher into place under the countertop.

Install mounting brackets on top if the underside of countertop is wood or wood-like material that accepts screws:

Install the brackets by inserting the tabs through the slots on the tub frame as shown. **NOTE:** You may need to work the tabs through the slots.



Using pliers, bend and twist the tabs upward to secure as shown.

IMPORTANT - After installing brackets and before closing the dishwasher door, adjust the brackets by bending them up as needed, so that they do not contact the top of the dishwasher door and cause damage.

- If you are installing the dishwasher under a counter with a short overhang, the countertop brackets may extend beyond the edge of the counter. If this is the case, remove the excess length by repeatedly bending the brackets at the front notch only until they break.

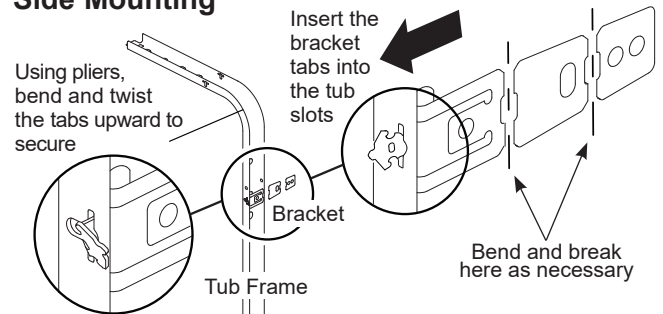
STEP 10 INSTALL MOUNTING BRACKETS (CONT.)

Install mounting brackets on sides if the countertop is granite or similar material that will not accept wood screws:

- Break off front portion of the bracket with pliers at the location shown prior to attaching to dishwasher.
- Install the brackets by inserting the tabs through the slots on the tub frame as shown. **NOTE:** You may need to work the tabs through the slots.

Using pliers, bend and twist the tabs to secure as shown.

Side Mounting



STEP 11 PUSH DISHWASHER INTO FINAL POSITION

- Check the tub insulation blanket, if equipped, to be sure it is smoothly wrapped around the tub. It should not be “bunched up” and it must not interfere with the door springs. If the insulation is “bunched up” or interfering with the springs, straighten and re-center the blanket prior to sliding the dishwasher into its final position.
- Slide the dishwasher into the final position by pushing on the sides of the door panel. Do not push or pull the door in a partially open or closed position when moving the dishwasher. Do not use a knee or push on the center of the panel. If you do, damage to the panel will likely result. Check that the dishwasher is squarely positioned in the cabinet opening at both the top and the bottom of the appliance prior to mounting to the cabinet.

IMPORTANT – Before opening the dishwasher door, be certain the edges of the dishwasher door panel are behind the face of the adjacent cabinet and not up against the cabinet face. Refer to Figure U. If the dishwasher door is opened when the edge of the door is against the face of the cabinet, dishwasher door damage and cabinet damage will occur.

Dishwasher Installation

STEP 11 PUSH DISHWASHER INTO FINAL POSITION (CONT.)

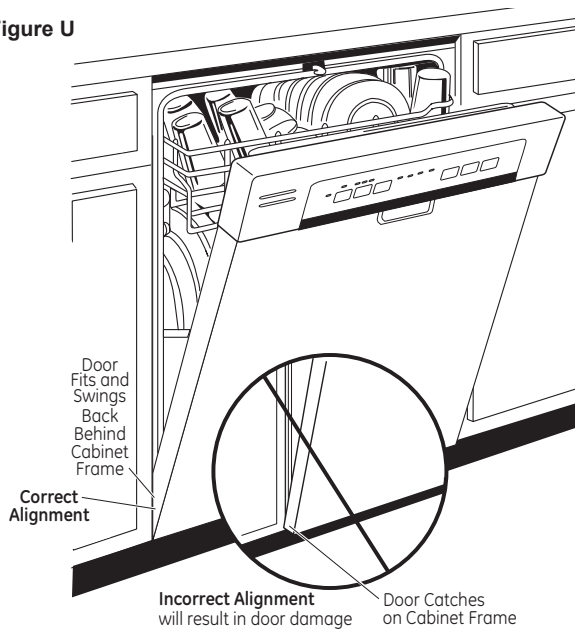
- Open and close the dishwasher door to be sure it operates smoothly, and does not rub on the adjacent cabinet.

Tip: Prevent unnecessary service charges for panel damage or wash performance.

Check dishwasher alignment prior to opening dishwasher door to prevent panel damage.

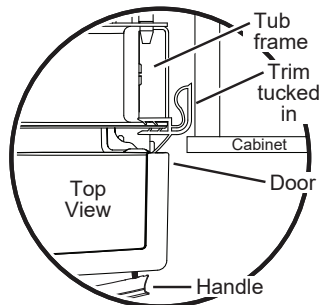
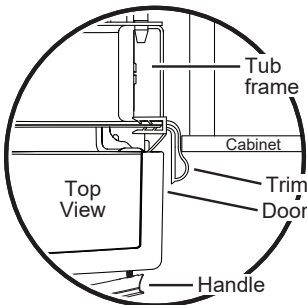
Make sure utility lines are not trapped or crushed behind dishwasher. Crushed lines will restrict water flow.

Figure U



Check that trim does not contact the door at all points

If the trim interferes with the door it may be tucked in as an alternate installation



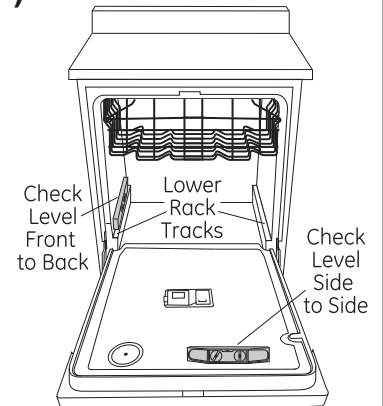
Tub trim may be trimmed if necessary to ensure proper door operation

STEP 12 LEVEL DISHWASHER

IMPORTANT – Dishwasher must be level for proper dish rack operation, wash performance and door operation. The dishwasher must be leveled left to right and front to back. This ensures the dish racks will not roll in or out on their own, circulation water will flow to the pump inlet, and the door will close without hitting the side of the tub.

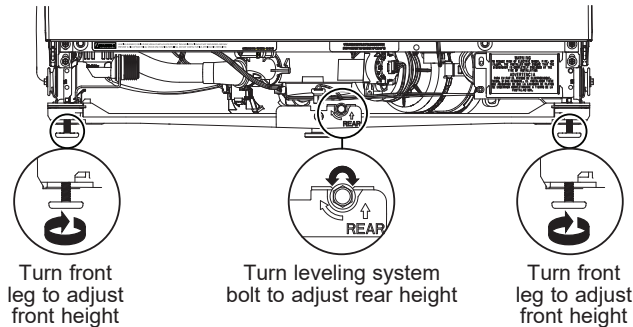
STEP 12 LEVEL DISHWASHER (CONT.)

- Remove the lower dish rack and place a level on the door and lower rack track as shown in figure.

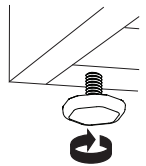


If your model has a rear leveling system, the rear height is adjusted from the front of the dishwasher along with the 2 front legs on the bottom of the dishwasher. Begin the leveling process with the front legs by individually turning the front 2 legs. Adjust the front legs first. When the front legs are adjusted to a height resulting in an appropriate gap to the upper cabinet, proceed to adjust the rear leveling system by adjusting the leveling bolt as illustrated in the figure.

Turn the bolt to adjust the rear leveling system. Slowly rotate the bolt **clockwise to raise the back** of the dishwasher, and **counterclockwise to lower** it. Continue to adjust the feet until the dishwasher is level as illustrated in the figure. Ensure all 3 legs are firmly in contact with the floor.



If your model has 4 leveling feet, adjust the level of the dishwasher by individually turning the 4 legs on the bottom of the dishwasher as shown in figure.



- The dishwasher is properly leveled when the level indicator is centered left to right and front to back. Also, the dishwasher door should close without hitting the side of the tub.
- Replace the lower rack.

Tip: Prevent unnecessary service charges. Verify dishwasher is leveled.

Pull the dish racks half way out. They should stay put. Open and close the door. The door should fit in the tub opening without hitting the side of the tub. If the racks roll on their own, or the door hits the side of tub, re-level the dishwasher.

Dishwasher Installation

STEP 13 POSITION DISHWASHER, SECURE TO COUNTERTOP OR CABINET

In this step you will need the 2 Phillips special head screws from the screws set aside earlier.

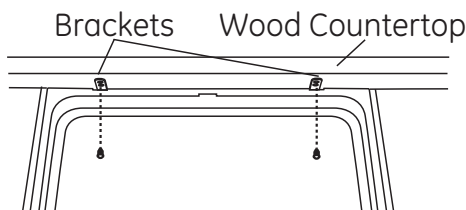
The dishwasher must be secured to the countertop or the cabinet sides. When the underside of the countertop is wood, use **Method 1**. Use **Method 2** when the underside of the countertop is made of a material, such as granite, that will not accept wood screws.

IMPORTANT – Prevent door panel and control panel damage. Dishwasher must be positioned so the front panel and control panel do not contact the adjacent cabinets or countertop. Mounting screws must be driven straight and flush. Protruding screw heads could scratch the door panel or control panel and interfere with door operation.

Method 1

Secure dishwasher to underside of wood countertop.

- Recheck alignment of the dishwasher in the cabinet. Refer to Steps 11 and 12. Door panel and/or control panel must not hit cabinets or countertop.
- Fasten the dishwasher to the underside of the countertop with the 2 Phillips special head screws. Refer to figure. Make certain screws are driven straight and flush to prevent panel damage.



Method 2

Secure dishwasher to cabinet sides.

- Recheck alignment of the dishwasher in the cabinet. Refer to Steps 11 and 12. Door panel and/or control panel must not hit cabinets or countertop.
- Remove plug buttons. Do not discard.
- Fasten the dishwasher to the adjacent cabinets with the 2 Phillips special head screws provided. Refer to Figure X. Make certain screws are driven straight and flush to prevent panel damage. Do not screw into the cabinet face frame.
- Install plug buttons to the side of the tub in the holes provided.

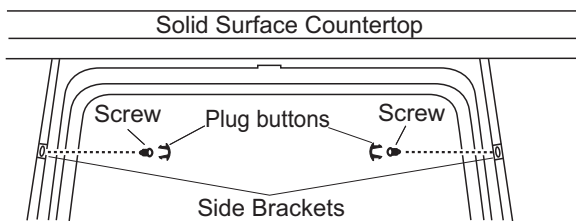


Figure X

STEP 13 POSITION DISHWASHER, SECURE TO COUNTERTOP OR CABINET (CONT.)

- Re-check that the dishwasher is square and level at both the top and bottom of the cabinet opening, with no twisting or distortion of the tub or door after mounting to the cabinets/countertop. Adjust if necessary.
- Confirm all leveling legs are in contact with the floor to prevent the dishwasher from rocking and ensure proper door and latch operation.

STEP 14 CONNECT WATER SUPPLY

Connect water supply line to 90° elbow.

If using a flexible braided hose connection:

- Attach nut to 90° elbow using an adjustable wrench.

If using a copper tubing connection:

- Slide compression nut, then ferrule over end of water line.
- Insert water line into 90° elbow.
- Slide ferrule against elbow and secure with compression nut.

IMPORTANT – Check to be sure that door spring and/or door spring cable do not rub or contact the fill hose or water supply line. Test by opening and closing the door. Re-route the water supply lines if a rubbing noise or interference occurs.

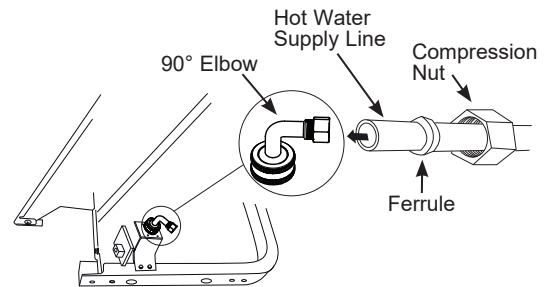
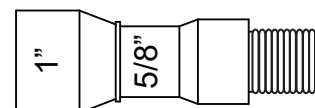


Figure Y

STEP 15 CONNECT DRAIN LINE

- The hose should have already been detached from the tub at locations indicated.

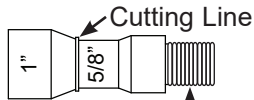
The molded end of the drain hose will fit 5/8" through 1" diameter inlet ports on the air gap, waste tee or disposer.



Dishwasher Installation

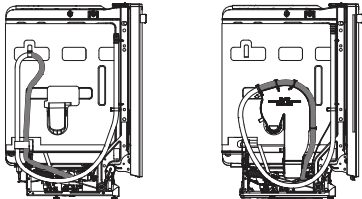
STEP 15 CONNECT DRAIN LINE (CONT.)

- Determine size of inlet port. If required, cut drain hose connector on the marked line, to fit the inlet port.



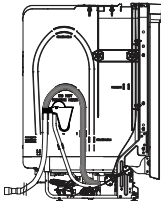
IMPORTANT: Do **not** cut corrugated portion of hose.

- If a longer drain hose is required and your model looks like one of these:

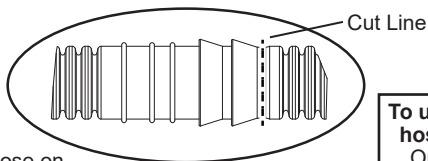


Replace the provided user bag drain hose with GE Appliances service part **WD24X10065**, a 12' long hose which can be connected directly to the drain loop already attached to the unit.

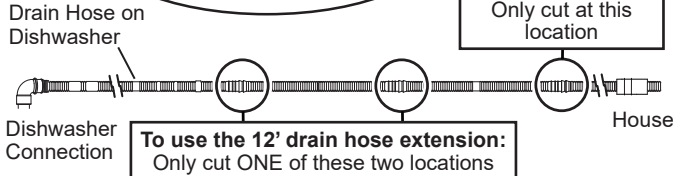
- If a longer drain hose is required and your model looks like this:



You can purchase an extension drain hose - GE Appliances service part **WD24X10062** (4' length) or **WD24X10065** (12' length) which can be connected directly to the drain hose already attached to the unit. To use the extension, you must cut the drain hose provided with the unit as shown. Use a hose cutter or razor blade knife to cut the drain hose.

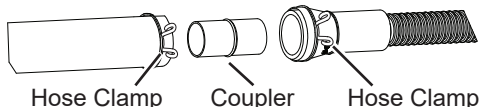


To use the 4' drain hose extension:
Only cut at this location



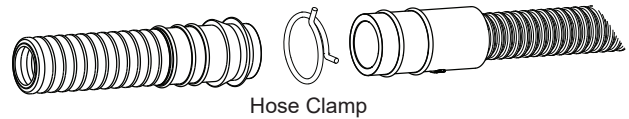
To use the 12' drain hose extension:
Only cut ONE of these two locations

If service part hose is not available, an additional hose with coupler, ID of 5/8" or 7/8" and no longer than 66", may be attached to the provided user bag drain hose. Secure the connection with hose clamp (obtain locally) to the provided user bag drain hose.



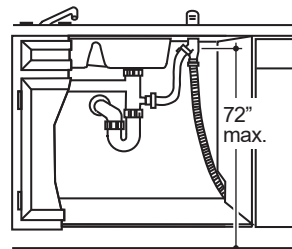
STEP 15 CONNECT DRAIN LINE (CONT.)

NOTE: TOTAL DRAIN HOSE LENGTH MUST NOT EXCEED 16' FROM THE REAR OF THE DISHWASHER FOR PROPER DRAIN OPERATION.

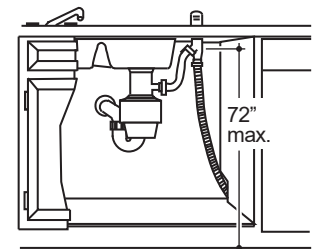


- Connect drain line to air gap, waste tee or disposer using the previously determined method. Secure hose with a hose clamp.

Method 1 – Air gap with waste tee or disposer



Waste Tee Installation

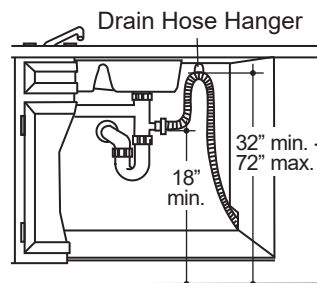


Disposer Installation

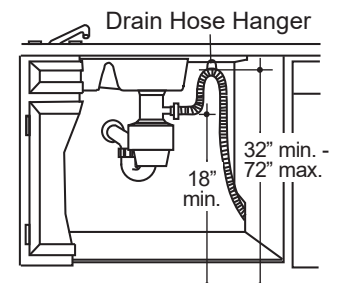
Method 2 – "High drain loop" with waste tee or disposer

With this method you will need the drain hose hanger set aside earlier.

Fasten drain hose to underside of countertop with the provided hanger.

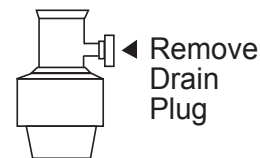


Waste Tee Installation



Disposer Installation

IMPORTANT – When connecting drain line to disposer, check to be sure that drain plug has been removed. **DISHWASHER WILL NOT DRAIN IF PLUG IS LEFT IN PLACE.**



Tip: Avoid unnecessary service call charges for a no drain complaint.

Make sure excess drain hose has been pulled through the cabinet opening. This will prevent excess hose in the dishwasher cavity from becoming kinked or crushed by the dishwasher.

Dishwasher Installation

STEP 16 CONNECT POWER SUPPLY

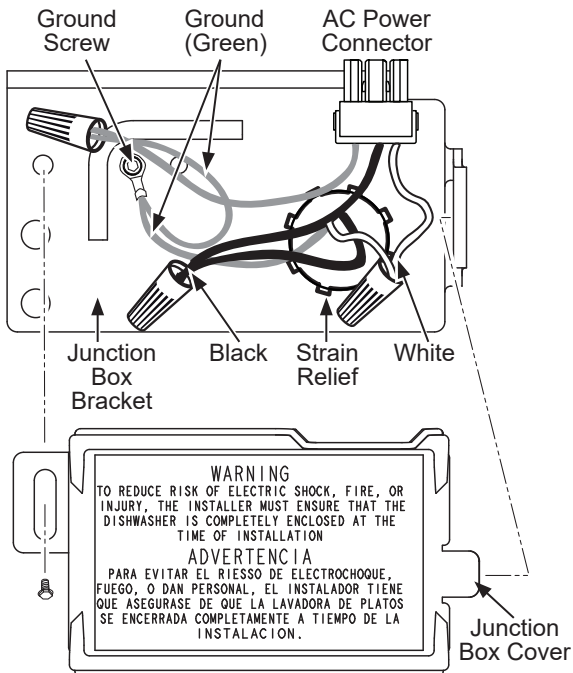
If a power cord with plug is already installed proceed to Step 17.

▲ WARNING

If house wiring is not 2-wire with ground, a ground must be provided by the installer. When house wiring is aluminum, be sure to use UL-Listed anti-oxidant compound and aluminum-to-copper connectors.

In this step you will need the junction box cover and the #10 Hex head screw from the screws set aside earlier.

- Secure house wiring to the back of the junction box with a strain relief.
- Locate the 3 dishwasher wires, (white, black and green) with the stripped ends coming out of the AC jumper. Use UL listed wire nuts of appropriate size to connect incoming ground to green, white to white and black to black.
- Install the junction box cover using #10 hex head screw. Check to be sure that wires are not pinched under the cover.
- Make sure that the junction box cover is resting on the mounting bracket.
- If using a Power Cord Kit, use GE Appliances part number **WX09X70910** or **WX09X70911** and refer to the included instructions.



NOTE: All ground screws, brackets and wires must remain intact.

STEP 17 PRETEST CHECKLIST

Review this list after installing your dishwasher to avoid charges for a service call that is not covered by your warranty.

- Check to be sure power is OFF.
- Open door and remove all foam and paper packaging.
- Locate the Owner's Manual set aside earlier.
- Read the Owner's Manual for operating instructions.
- Check door opening and closing. If door does not open and close freely, check for proper routing of spring cable over pulley. If door drops or closes when released, adjust spring tension. See Step 2.
- Check to be sure that wiring is secure under the dishwasher, not pinched or in contact with door springs or other components. See Step 16.
- Check door alignment with tub. If door hits tub, level dishwasher. See Step 12.
- Check door alignment with cabinet. If door hits cabinet, reposition dishwasher. See Step 11.
- Check that door spring does not contact water line, fill hose, wiring or other components. See Step 11.
- Verify water supply and drain lines are not kinked or in contact with other components. Contact with motor or dishwasher frame could cause noise.
- Turn on the sink hot water faucet and verify water temperature. Incoming water temperature must be between 120°F and 140°F. A minimum of 120°F temperature is required for best wash performance. See "Prepare Hot Water Line," page 5.
- Add 1 quart of water to the bottom of the dishwasher to lubricate the pump seal.
- Turn on water supply. Check for leaks. Tighten connections if needed.
- Remove protective film if present from the control panel and door.
- Check that tub trim does not contact the door.

Dishwasher Installation

STEP 18 DISHWASHER WET TEST

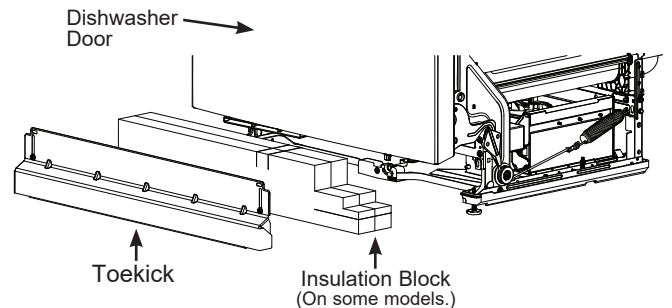
- Turn on power supply or plug power cord into outlet, if equipped.
- Select a cycle to run and push the **Start** pad.
- Ensure the door is latched. Dishwasher should start.
- Check to be sure that water enters the dishwasher. If water does not enter the dishwasher, check to be sure that water and power are turned on.
- Check for leaks under the dishwasher. If a leak is found, turn off power at the breaker, and then tighten water connections. Restore power after leak is corrected.

NOTE: A small amount of water may splash out of the fill funnel, on the right side of the tub, during the first use after installation. Splash-out is most likely to occur if there is air in the water supply line from new construction or if the valve has been closed for an extended time.

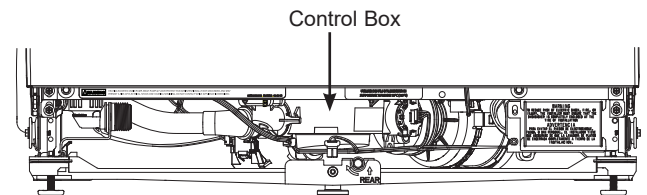
- Check for leaks around the door. A leak around the door could be caused by door rubbing or hitting against adjacent cabinets. Reposition the dishwasher if necessary. See Step 11.
- Press and hold the **Start** pad for 3 seconds to cancel the cycle. The unit will begin to drain. Check drain lines. If leaks are found, turn off power at the breaker and correct plumbing as necessary. Restore power after corrections are made. See Steps 4, 6, 7, 8 and 15.
- Open dishwasher door and make sure all of the water has drained. If not, check that disposer plug has been removed and/or air gap is not plugged. Also check drain hose to be sure it is not kinked underneath or behind dishwasher. See Step 15.
- Press **Start** pad once again and run dishwasher through another cycle. Check for leaks and correct if required.
- Repeat these steps as necessary.

STEP 19 POSITION SOUND INSULATION PIECE (on some models)

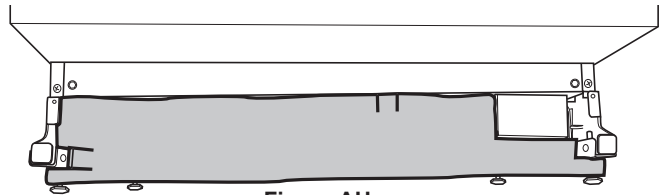
- Locate the sound insulation package inside the dishwasher.
- Stand the parts upright as shown.



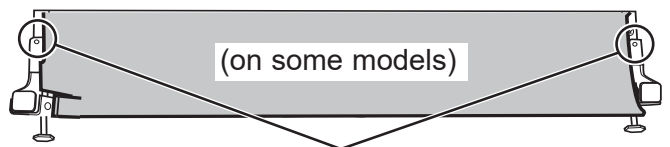
- Locate the control box.



- Push insulation block portion under the dishwasher until it is beneath the control box.



- Push the panel portion up to the front of the block.



Push the sides of the insulation behind the toekick attachment screw holes

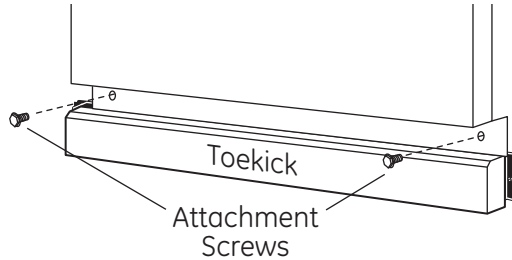
- Tuck the sides of the front panel behind the toekick attachment screw holes.

Dishwasher Installation

STEP 20 INSTALL TOEKICK

- Remove the 2 screws from the user bag.
- Place toekick against the legs of the dishwasher.
- Align the toekick with the bottom edge and make sure it is against the floor.
- Insert and tighten the 2 toekick attachment screws. The toekick should stay in contact with the floor.

NOTE: Be careful not to over-tighten the screws in the toekick.

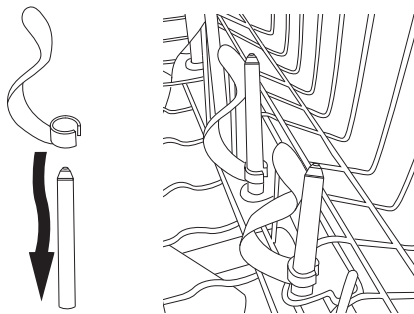


- When reinstalling the toekick, on models with a sound barrier, ensure that the bottom edge is flush with the floor. Any excess material should be tucked up behind the outer door.

Tip: Reduce sound from under the dishwasher. Make sure toekick is against floor.

STEP 21 INSTALL BOTTLE JETS CLIPS (on some models)

- Locate the Bottle Jets clips, depending on model, either in the silverware basket or the user bag. Install a clip over a Bottle Jets stem by slipping its clip end over the nozzle and pressing it down to the base.



STEP 22 CHECK THE FOLLOWING

- Tub trim does not interfere with the door
- Dishwasher is square and level at both the top and bottom of the cabinet opening, with no twisting or distortion of the tub or door
- On models without the adjustable leveling system, make sure all 4 legs of the dishwasher are firmly in contact with the floor
- On models with the adjustable leveling system, make sure both front legs of the dishwasher and the center rear leveling system leg are firmly in contact with the floor
- Drain hose is not pinched between the dishwasher and adjacent cabinets or walls
- Tub trim is fully seated on the tub flange

STEP 23 LITERATURE

- Be sure to leave complete literature package, these Installation Instructions and product samples and/or coupons with the consumer.

NOTE: Product improvement is a continuing endeavor. Therefore, materials, appearance and specifications are subject to change without notice.

Notes

LAVE-VAISSELLE

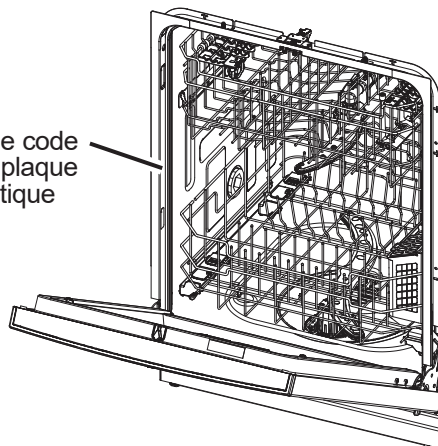
CONSIGNES DE SÉCURITÉ	2
UTILISATION DU LAVE-VAISSELLE	
Comment démarrer	4
ENTRETIEN ET NETTOYAGE	5
SERVICE À LA CLIENTÈLE	6
GARANTIE LIMITÉE	8
GARANTIE DE LAVE-VAISSELLE MONOGRAM	9
INSTRUCTIONS D'INSTALLATION	10

GUIDE DU PROPRIÉTAIRE ET INSTRUCTIONS D'INSTALLATION

FRANÇAIS

Pour obtenir les informations récentes, balayez le code 2D sur la plaque signalétique se trouvant sur la paroi de la cuve, juste à l'intérieur de la porte.

Balayez le code 2D de la plaque signalétique



Ce manuel contient les instructions d'installation. Respectez entièrement ces instructions.

POUR EN SAVOIR PLUS - Afin de préserver les ressources naturelles, cet appareil est livré avec un guide condensé du propriétaire. Le manuel complet du propriétaire pour votre modèle est disponible en ligne. Balayez le code 2D de votre modèle ou sur le site Internet dans la section Service à la clientèle.

Inscrivez ci-dessous les numéros de modèle et de série :

N° de modèle _____

N° de série _____

Ils se trouvent sur la paroi de la cuve, à l'intérieur de la porte.

▲ AVERTISSEMENT Pour votre sécurité, veuillez suivre les directives données dans le présent manuel afin de réduire au minimum les risques d'incendie, d'explosion et de chocs électriques et prévenir tout dommage et blessure grave ou mortelle.

▲ AVERTISSEMENT INSTALLATION ET ENTRETIEN APPROPRIÉS

Ce lave-vaisselle doit être correctement installé, en conformité avec les directives d'installation fournies, avant d'être utilisé. Si vous n'avez pas reçu les directives d'installation avec votre appareil, vous pouvez vous les procurer en visitant notre site Web à l'adresse www.electromenagersge.ca.

- Cet appareil doit être relié à un système de câblage électrique permanent en métal, mis à la terre. Sinon, un fil de mise à la terre pour appareillage doit être installé et raccordé à la borne ou au fil de mise à la terre de l'appareil.
 - Un raccordement incorrect du fil de mise à la terre peut présenter un risque d'électrocution. Consultez un électricien ou un technicien qualifié si vous n'êtes pas certain que l'appareil est correctement mis à la terre.
 - Considérez les options de recyclage des matériaux d'emballage de votre électroménager.
 - Vous trouverez des instructions détaillées sur la mise à la terre dans la section « PRÉPARATION DU CÂBLAGE ÉLECTRIQUE » des Instructions d'installation.
 - Ne tentez pas de réparer ou de remplacer une pièce quelconque de votre lave-vaisselle, à moins que cela ne soit spécifiquement recommandé dans le présent manuel. Confiez toutes les autres réparations à un technicien qualifié.
 - Utilisez uniquement un nécessaire de cordon électrique WX09X70910 (162cm) ou WX09X70911 (236cm) ou câblez directement sur le circuit électrique du domicile. L'omission d'observer cette instruction peut causer un risque d'incendie ou de blessure.
 - Pour réduire au minimum les risques d'électrocution, débranchez l'appareil de sa source d'alimentation avant d'en effectuer l'entretien.
- REMARQUE** : Le fait d'arrêter le lave-vaisselle ne coupe l'alimentation électrique de l'appareil. Nous vous recommandons de confier la réparation de votre électroménager à un technicien qualifié.

▲ AVERTISSEMENT LORS DU FONCTIONNEMENT DE VOTRE LAVE-VAISSELLE, PRENEZ LES PRÉCAUTIONS DE BASE, NOTAMMENT LES SUIVANTES :

- N'utilisez cet appareil que pour l'usage pour lequel il a été conçu, comme expliqué dans le présent manuel.
- Utilisez uniquement un détergent ou un agent mouillant recommandés pour utilisation dans un lave-vaisselle et tenez-les à l'écart des enfants. L'utilisation d'un détergent non conçu pour les lave-vaisselles peut provoquer la formation de mousse.
- Placez les articles coupants de manière à ce qu'ils n'endommagent pas le joint d'étanchéité de la porte.
- Placez dans le panier à couverts les couteaux tranchants le manche vers le haut afin de réduire les risques de coupures.
- Ne lavez pas les articles en plastique à moins qu'ils ne portent la mention « Lavable au lave-vaisselle » ou l'équivalent. Si certains articles en plastique ne portent pas cette mention, reportez-vous aux recommandations du fabricant.
- Ne touchez pas à l'élément chauffant pendant ou immédiatement après le fonctionnement de l'appareil.
- Ne faites pas fonctionner le lave-vaisselle si tous les panneaux de la carrosserie n'ont pas été correctement réinstallés.
- Ne modifiez pas le fonctionnement des commandes.
- Abstenez-vous de vous asseoir, de vous accrocher ou de vous tenir sur la porte ou le panier du lave-vaisselle, ou d'en faire un emploi abusif de toute autre manière.
- Pour réduire le risque de blessure, ne laissez pas les enfants jouer avec l'électroménager, grimper dessus ou s'y introduire.
- Ne rangez ni n'utilisez des matières combustibles, y compris de l'essence ou d'autres liquides ou vapeurs inflammables, à proximité de cet appareil ou de tout autre.
- Les petites pièces, telles qu'attaches de panier, représentent un risque d'étouffement pour les jeunes enfants si elles sont retirées du lave-vaisselle. Gardez-les à l'écart des jeunes enfants.

▲ AVERTISSEMENT SÉCURITÉ DU CHAUFFE-EAU

Dans certaines conditions, il peut se former de l'hydrogène dans un chauffe-eau qui n'a pas été utilisé pendant deux semaines ou plus. **L'HYDROGÈNE EST UN GAZ EXPLOSIF.**

Si vous n'avez pas utilisé votre chauffe-eau pendant deux semaines ou plus, ouvrez tous les robinets d'eau chaude et laissez couler l'eau pendant plusieurs minutes afin de réduire les risques de dommages matériels ou de blessures. Prenez cette précaution avant même d'utiliser un électroménager raccordé au chauffe-eau pour éliminer l'hydrogène qui pourrait s'y être accumulé. Puisqu'il s'agit d'un gaz inflammable, ne fumez pas ou n'utilisez pas une flamme nue ou un électroménager au cours de ce processus.

▲ AVERTISSEMENT RISQUE DE SUFFOCATION POUR UN ENFANT COINCÉ À L'INTÉRIEUR DE L'APPAREIL

ÉLIMINATION APPROPRIÉE DU LAVE-VAISSELLE

Les lave-vaisselle jetés ou abandonnés sont dangereux... même si vous ne les laissez là que pour quelques jours. Si vous voulez jeter votre lave-vaisselle, veuillez suivre les directives ci-dessous pour éviter les accidents.

- Ne laissez pas les enfants jouer avec, sur, le lave-vaisselle, ou à l'intérieur de celui-ci ou de tout autre électroménager mis aux rebus.
- Enlevez la porte du compartiment de lavage.

⚠ ATTENTION POUR ÉVITER LES BLESSURES MINEURES OU LES DOMMAGES MATÉRIELS

- Pendant ou après le cycle de lavage, le contenu peut s'avérer très chaud au toucher. Manipulez-le avec soin.
- Une surveillance attentive est nécessaire lorsque cet appareil est utilisé par ou près des enfants. Ne laissez pas les enfants jouer à proximité du lave-vaisselle lorsque vous la fermeture de la porte, la fermeture de la crémaillère supérieure, ou tout réglage en hauteur du panier supérieur afin d'éviter que leurs petits doigts se coincent.
- Articles autres que la vaisselle : ne lavez pas dans le lave-vaisselle des articles comme des filtres de purificateur d'air, des filtres de systèmes de chauffage ou des pinceaux. Vous pourriez endommager le lave-vaisselle et provoquer une décoloration ou des taches dans l'appareil.
- Placez les articles légers en plastique de manière qu'ils ne se déplacent pas ou ne tombent pas au fond de l'appareil—ils pourraient entrer en contact avec l'élément chauffant, ce qui pourrait les endommager.

Mise au rebut adéquate de votre électroménager

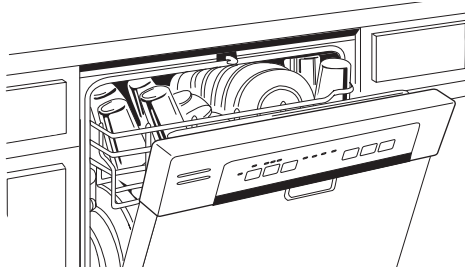
- Veuillez jeter ou recycler votre électroménager conformément aux règlements fédéraux ou locaux. Communiquez avec les instances locales pour en savoir plus sur la mise au rebut ou le recyclage de votre électroménager.

VEUILLEZ LIRE ET SUIVRE À LA LETTRE CES CONSIGNES DE SÉCURITÉ. **CONSERVEZ CES DIRECTIVES**

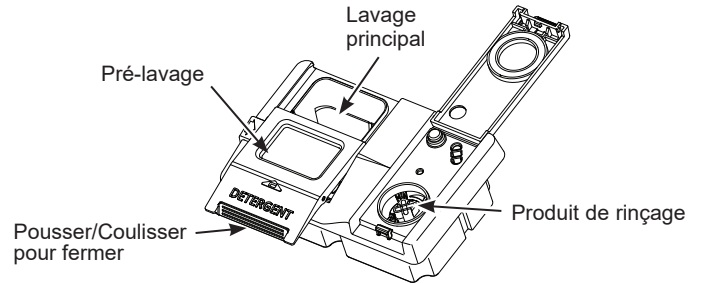
Comment démarrer

Les caractéristiques et l'apparence des appareils varient tout au long de ce manuel selon les modèles

1 Enlevez les résidus de la vaisselle puis chargez-la



2 Ajoutez le détergent et le produit de rinçage



3 Sélectionner le cycle**

- Select Cycle**
- Heavy
 - Normal
 - Light
 - Rinse
 - 1 Hour Wash

4 Sélectionner les options**

- | | | | |
|--------------------|------------------------------|------------------|------------------|
| 2 4 8 | Sani | Boost | Normal High |
| • • • | • | • | • • |
| Delay Hours | Steam | Wash Temp | Dry Boost |
| | • Controls Hold 3 Sec | | |

5 Fermez la porte et mettez en marche en moins de 4 secondes

Start

Cancel
Hold 3 Sec

Exemples de cycle et d'options - Le voyant de la touche sélectionné s'allumera pour vous indiquer quel cycle et quelles options vous avez choisis.

Ces cycles et ces options ont été utilisés pour coter l'efficacité énergétique de ce lave-vaisselle et peuvent varier selon les modèles.

Normal/Everyday	Ce cycle, destiné à un lavage quotidien, régulier et typique d'une pleine charge de vaisselle normalement sale, est aussi économe en eau et en énergie. Normal/Everyday a servi à évaluer l'efficacité énergétique de ce lave-vaisselle.
Heated Dry (Séchage à air chauffé)	(certains modèles) On sélectionne cette option en appuyant sur la touche Dry une fois pour allumer le voyant Heated . Ce réglage améliore grandement l'efficacité du séchage pour la vaisselle de tous les jours, régulière et ordinaire. L'option Heated Dry ajoute généralement 48 à 64 minutes au cycle. Cette option n'est pas disponible avec le cycle Rinse . REMARQUE : L'utilisation d'un agent de rinçage peut augmenter davantage le rendement de séchage du lave-vaisselle. Sur les modèles dotés de cette fonction, l'option Heated Dry a été sélectionnée pour évaluer l'efficacité énergétique de ce lave-vaisselle.
Dry Boost (Séchage supplémentaire)	Normal (certains modèles) - Activez cette option pour un séchage plus rapide. Elle peut ajouter jusqu'à 64 minutes à la durée du cycle. Sur les modèles dotés de cette fonction, cette option n'est pas disponible avec le cycle de Rinse (Rinçage). Sur les modèles dotés de cette fonction, l'option Dry Boost Normal a été sélectionnée pour évaluer l'efficacité énergétique de ce lave-vaisselle.

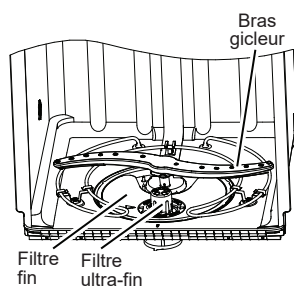
* Utilisez des détergents de haute qualité tels que **Cascade® Platinum™ ActionPacs™** ou **Finish® Quantum® Automatic Dishwashing Detergent** et agents de rinçage de haute qualité tels que **Cascade® Platinum™ Power Dry™ Rinse Aid** ou **Finish® Jet-Dry® Rinse Aid**.

** Variable selon le modèle

Entretien et nettoyage

Filtres

Inspectez et nettoyez les filtres régulièrement. Cela devrait être fait tous les deux mois ou plus en fonction de l'utilisation. Le besoin de nettoyer les filtres se remarque par une performance moindre de lavage ou lorsque la vaisselle semble rugueuse.



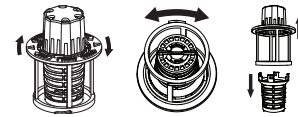
Ensemble de Filtre Ultra-Fin

Pour nettoyer l'ensemble de Filtre Ultra-Fin, retirez le panier inférieur. Tournez l'ensemble de Filtre Ultra-Fin dans le sens antihoraire et le soulever pour le retirer pour le nettoyer. Rincez le filtre à l'aide d'eau tiède savonneuse et utilisez une éponge pour essuyer les particules résistantes.

Pour les modèles avec un ensemble l'ensemble de Filtre Ultra-Fin en 2 pièces avec un panier de filtre supplémentaire pour les particules d'aliments, tournez le panier de filtre dans le sens inverse des aiguilles d'une montre pour le déverrouiller de l'ensemble de filtre Ultra-fin. Voir les flèches directionnelles au bas du panier-filtre. Tirez sur le panier-filtre pour le retirer de l'ensemble, jetez toutes les particules d'aliments, rincez-le à l'eau chaude savonneuse et utilisez une éponge pour éliminer les particules tenaces.

Une fois nettoyé, remplacez le filtre dans l'assemblage de Filtre Ultra-Fin et tournez-le dans le sens des aiguilles d'une montre pour le verrouiller.

L'ensemble de Filtre Ultra-Fin en 2 pièces avec panier de filtre supplémentaire (sur certains modèles)



Filtre fin

Pour nettoyer le Filtre fin (plaque grillagée plate), retirez le panier inférieur. Retirez le Filtre ultra-fin. Retirez le Filtre fin. Rincez le filtre dans l'eau tiède savonneuse. L'utilisation de tampons à récurer ou de brosses peut rayer le filtre. Utiliser une brosse douce ou une éponge pour enlever la saleté rebelle ou les dépôts de calcium laissés par l'eau dure. Une fois nettoyé, remplacer le filtre fin et le filtre ultra-fin.

Panneau de la porte

Avant de nettoyer le panneau avant de la porte, vérifiez de quel type de panneau il s'agit. Vérifiez les deux dernières lettres de votre numéro de modèle. Vous trouverez le numéro de votre modèle sur la paroi gauche de la cuve, tout juste à l'intérieur de la porte.

- Si votre numéro de modèle se termine par les lettres BB, CC, WW, SA, SH, ES, DS, TS, FS, W2 ou D1 votre appareil est doté d'un panneau de porte peint.
- Si votre numéro de modèle se termine par les lettres SS, votre appareil est doté d'un panneau de porte en acier inoxydable.
- Si votre numéro de modèle se termine par « II », alors il est doté d'un panneau de porte intégré.
- Si votre numéro de modèle se termine par S5, vous avez un panneau de porte vitrée.

Veillez suivre les directives ci-dessous pour nettoyer le panneau de porte de votre modèle.

Panneaux de porte peints/enduits (numéro de modèle se terminant par BB-noir, CC-bisque, WW-blanc, SA-argent, SH-PRO acier, ES-ardoise, DS-ardoise noir, TS-acier inoxydable noir, W2-blanc mat ou D1-noir mat)

⚠ N'utilisez PAS de nettoyeurs pour acier inoxydable sur les surfaces de porte.

Utilisez un chiffon doux et propre légèrement humide, puis séchez.

Panneau de porte en acier inoxydable (numéro de modèle se terminant par SS)

Pour faire disparaître la rouille, le ternissement et les petites imperfections, utilisez des nettoyeurs à l'acide oxalique tels que Bar Keepers Friend Soft Cleanser™. Utilisez uniquement un nettoyeur liquide exempt d'abrasif et frottez dans la direction des lignes de brosse à l'aide d'une éponge douce humide. N'utilisez pas de cire ou de produit à polir pour électroménagers sur l'acier inoxydable.

Pour faire disparaître d'autres imperfections ou marques, utilisez le nettoyeur Stainless Steel Magic ou un produit similaire avec un linge doux humide. N'utilisez pas de cire pour électroménagers, d'agents polissants, de javellisants ni de produits chlorés sur l'acier inoxydable. Vous pouvez commander le produit nettoyeur Stainless Steel Magic (no WX10X29) auprès du service des Pièces GE Appliances en composant le 877.959.8688. Au Canada, composez le 1-800-661-1616.

Panneau de porte intégré (numéros de modèle se terminant par II)

Il s'agit d'un panneau de porte personnalisé et vous devez vous reporter aux recommandations du fabricant d'armoires pour le nettoyage approprié.

Panneau de porte vitrée (numéros de modèle se terminant par S5)

Utiliser un nettoyeur pour vitres ou un savon doux et de l'eau et un chiffon doux pour nettoyer la porte vitrée.

Ne pas utiliser de poudres abrasives.

Service à la clientèle

Marque	Communiquez avec nous	Service de réparatio
Monogram	monogram.ca/fr/contactez-nous ou 888.880.3030	service.geappliances.ca/servicio/ ou 888.880.3030
GE Appliances/ Profile	electromenagersge.ca/con- tactez-nous ou 877.994.5366	electromenagersge.ca/soutien-apres-vente ou composez le 800.561.3344
Café	cafeappliances.ca/fr/support/ contact-us	cafeappliances.ca/fr/support/contact-us
Hotpoint	Hotpoint.com or 800.626.2005	GEAppliances.ca/en/support/service-request or 800.561.3344
Haier	fr.haiercanada.ca/contact-us	fr.haiercanada.ca/service

Garantía limitada del lavavajillas

Todo el servicio de garantía es provisto por nuestros Centros de Servicio de Fabricación, o un técnico autorizado de Servicio al Cliente (Customer Care®). Para programar el servicio, consulte la sección **Soporte al cliente**. Cuando llame para solicitar el servicio, tenga los números de serie y modelo disponibles.

Para realizar el servicio técnico de su electrodoméstico se podrá requerir el uso de datos del puerto de abordaje para su diagnóstico. Esto da al técnico del Servicio de Fábrica de GE Appliances la habilidad de diagnosticar de forma rápida cualquier problema con su electrodoméstico, y de ayudar a GE Appliances a mejorar sus productos al brindarle a GE Appliances la información sobre su electrodoméstico. Si no desea que los datos de su electrodoméstico sean enviados a GE Appliances, solicitamos que le indique a su técnico NO entregar los datos a GE Appliances en el momento del servicio.

Por el Período de:	Se sustituirá:
Un Año Desde la fecha de compra original	Cualquier pieza del lavavajillas que falle debido a un defecto de los materiales o la mano de obra. Durante esta garantía limitada de un año , también ofrecemos, en forma gratuita , toda la mano de obra y los costos de servicio para reemplazar la pieza defectuosa.

Lo que no está cubierto:

- Viajes del personal de servicio a su casa para enseñarle cómo usar su producto.
- Instalación, entrega o mantenimiento inapropiada.
- Fallas del producto si es maltratado, mal usado, o usado para un propósito diferente del que se creó o si es usado para usos comerciales.
- Cambio de los fusibles de su casa o reajuste del circuito de interruptores.
- Productos sin defectos o rotos, o los cuales se encuentran funcionando como se indica en el Manual del propietario.
- Daños al producto causados por accidentes, incendios, inundaciones o actos de la naturaleza.
- Daños imprevistos resultantes causados por posibles defectos con este electrodoméstico.
- Defectos o daños debido a la puesta en funcionamiento a temperaturas de congelación.
- Daño causado después de la entrega, incluido el daño causado por los objetos que cayeron en la puerta.
- Producto no accesible para facilitar el servicio requerido.
- Limpieza o servicio técnico del dispositivo de espacio de aire en la línea de drenaje.

EXCLUSIÓN DE GARANTÍAS IMPLÍCITAS

Su única y exclusiva alternativa es la reparación del producto, como se indica en la Garantía Limitada. Las garantías implícitas, incluyendo garantías implícitas de comerciabilidad o conveniencia sobre un propósito particular, se limitan a un año o al período más corto permitido por la ley.

Esta garantía limitada se extiende al comprador original y a cualquier propietario subsecuente para productos comprados para uso doméstico dentro Estados Unidos. Si el producto está situado en un área que no dispone de servicio por parte de un proveedor de servicio autorizado de GE Appliances, podría tener que hacerse cargo de los costes de envío o bien podría solicitársele que lleve el producto a un centro de servicio de GE Appliances autorizado para realizar la reparación. En Alaska, la garantía limitada excluye el costo de envío o las visitas de servicio a su casa.

Algunos estados no permiten la exclusión o limitación de daños imprevistos. Esta garantía limitada le da sus derechos legales específicos, y es posible que usted tenga otros derechos legales que varían de estado a estado. Para informarse de cuáles son sus derechos legales, consulte a su oficina de asuntos del consumidor local o estatal o póngase en contacto con la Oficina de su Procurador General.

Garante: GE Appliances, a Haier company
Louisville, KY 40225

Garantías Extendidas: Adquiera una garantía extendida de GE Appliances y conozca los descuentos especiales que están disponibles mientras su garantía aún está vigente. Puede acceder a la misma a través de Internet en cualquier momento en

geappliances.com/extended-warranty

o llamando al 800.626.2224 durante el horario comercial. Los Servicios para los GE Appliances aún estarán disponibles cuando su garantía caduque.

Abroche su recibo aquí. Para acceder al servicio técnico de acuerdo con la garantía deberá contar con la prueba de la fecha original de compra.

GARANTIE DE LAVE-VAISSELLE MONOGRAM

Agrafez votre facture ou votre chèque annulé ici. Vous avez besoin d'une preuve d'achat original pour obtenir du service sous garantie.

QU'EST-CE QUI EST COUVERT - Depuis la date d'achat original

Deux Ans

Toute pièce du lave-vaisselle qui tombe en panne à cause d'un vice de matériau ou de main-d'œuvre. Pendant cette **deux ans de garantie limitée**, Monogram fournira, **gratuitement**, toute la main-d'œuvre et le service à la maison pour remplacer une pièce défectueuse.

Trois à Cinq Ans

La **clayette du lave-vaisselle**, si elle se rouille, ou le **module de contrôle électronique**, s'il tombe en panne à la suite d'un vice de matériau ou de main-d'œuvre. Pendant cette **trois à cinq ans de garantie limitée**, vous serez responsable de tous les frais de main-d'œuvre et de service à la maison.

À Vie

La **cuve en acier inoxydable** ou le **joint de porte**, s'il n'arrête pas l'eau à cause d'un vice de matériau ou de main-d'œuvre. Pendant cette **garantie limitée à vie**, Monogram fournira également, **gratuitement**, toute la main-d'œuvre et le service à la maison pour remplacer la pièce défectueuse.

Cette garantie est valable pour l'acheteur original ainsi que pour tout propriétaire suivant de produits achetés au Canada pour un foyer ordinaire au Canada. Si le produit est situé dans un endroit où le Service autorisé Monogram n'est pas offert, vous pourriez être tenu d'acquiescer des frais de transport ou d'apporter le produit à un dépôt de Service autorisé Monogram pour obtenir les réparations. Il faut fournir la preuve de l'achat original pour obtenir du service en vertu de cette garantie.

Tout le service en vertu de cette garantie sera fourni par nos centres de service de fabrique ou par nos techniciens autorisés de soins à la clientèle pendant les heures de travail normales.

Si votre appareil électroménager a besoin de service, pendant la période de garantie ou après cette période, appelez Monogram Preferred le 888-880-3030. Veuillez fournir le numéro de série et le numéro de modèle lorsque vous appelez pour obtenir le service.

CE QUI N'EST PAS COUVERT

- Les déplacements de service à votre maison pour vous apprendre à utiliser ce produit.
- Une mauvaise installation, livraison ou un mauvais entretien.
- Le remplacement de fusibles ou le rebranchement de disjoncteurs chez vous.
- Une panne du produit si vous l'avez mal utilisé, maltraité ou utilisé à d'autres fins que celles auxquelles il est destiné, ou si vous l'avez utilisé à des fins commerciales.
- Tout dommage au produit occasionné par un accident, un incendie, une inondation ou un acte indépendant de votre volonté.
- Tout dommage indirect ou consécutif occasionné par une panne possible de cet appareil électroménager.
- Tout nettoyage ou entretien de l'appareil d'écart anti-retour dans la conduite d'écoulement d'eau.
- Tout dommage occasionné après livraison, y compris tout dommage occasionné par des articles tombant à terre.
- Le service s'il est impossible d'avoir accès au produit pour ce faire.
- Les dommages au fini tels que la rouille ou les imperfections de surface non signalées dans les 48 heures suivant la livraison.

EXCLUSION DE GARANTIES IMPLICITES – Votre seul et unique recours est la réparation du produit selon les dispositions de cette Garantie limitée. Toutes les garanties implicites, incluant les garanties de commercialité et d'adéquation à un usage spécifique, sont limitées à une année ou à la période la plus courte autorisée par la législation.

Certaines provinces ne permettent pas l'exclusion ou la restriction de dommages indirects ou consécutifs, et par conséquent la restriction ci-dessus peut ne pas s'y appliquer. Cette garantie vous donne des droits juridiques spécifiques, mais vous pouvez avoir d'autres droits qui varient d'une province à l'autre. Pour connaître vos droits juridiques dans votre province, consultez votre bureau local ou provincial de protection des consommateurs.

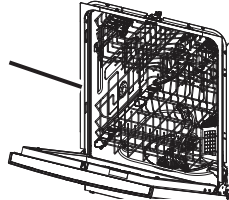
Garant : MC Commercial Inc., Burlington, ON, L7R 5B6.



Instructions d'Installation

Pour obtenir les informations récentes, balayez le code 2D sur la plaque signalétique se trouvant sur la paroi de la cuve, juste à l'intérieur de la porte.

Balayez le code 2D de la plaque signalétique



AVANT DE COMMENCER

Veillez lire attentivement toutes les directives qui suivent.

⚠ AVERTISSEMENT

- Pour réduire les risques de choc électrique, d'incendie ou de blessures, l'installateur doit s'assurer que le lave-vaisselle est complètement encastré au moment de l'installation.
- **POUR VOTRE SÉCURITÉ PERSONNELLE:** Enlevez le fusible ou déclenchez le disjoncteur au panneau de distribution principal avant de commencer l'installation. N'utilisez pas une rallonge électrique ou un adaptateur de fiche avec cet appareil.
- Un branchement inadéquat du conducteur de mise à la terre peut présenter des risques de choc électrique. Si vous n'êtes pas certain que l'appareil est correctement mis à la terre, consultez un réparateur ou un électricien qualifié.
- Si le câblage électrique de la résidence n'est pas constitué de deux fils plus un fil de mise à la terre, l'installateur doit installer un fil de mise à la terre. Si le câblage électrique de la résidence est en aluminium, utilisez un agent antioxydant et des connecteurs pour raccords «aluminium-cuivre» homologués UL.
- Pour réduire les risques de choc électrique, d'incendie ou de blessures, l'installateur doit vérifier pour s'assurer que les fils ne sont pas pliés ou en dommages, que le câblage domestique est fixé au support de boîte de connexion par l'entremise d'un serre-câble et que toutes les connexions électriques faites au moment de l'installation (capuchons de connexion) se trouvent à l'intérieur du couvercle de la boîte de connexion.

⚠ ATTENTION

N'enlevez pas la base de bois avant d'être prêt à installer le lave-vaisselle. Si vous enlevez la base de bois, le lave-vaisselle pourrait basculer lorsque vous ouvrez la porte.

Pour effectuer l'installation décrite dans les présentes directives, il faut porter des gants et des lunettes de sécurité.

Lave-vaisselle encastré

ACCESSOIRE DE PANNEAU FRONTAL

Les modèles avec panneau frontal sur commande viennent avec une trousse comprenant un gabarit, la quincaillerie et les instructions d'installation du panneau. Se reporter aux instructions de la trousse pour installer le panneau sur commande.

Commandez votre trousse de montage de panneau et un gabarit personnalisés **WD35X25996** avant d'installer le lave-vaisselle, le cas échéant.

POUR VOTRE SÉCURITÉ

Veillez lire et observer toutes les mises en garde AVERTISSEMENT et ATTENTION données dans les présentes directives.

IMPORTANT – Observez tous les codes et ordonnances en vigueur.

• **Note à l'installateur** – Veuillez laisser les présentes directives au consommateur pour l'inspecteur local.

• **Note au consommateur** – Veuillez conserver les présentes directives avec votre Manuel d'utilisation pour consultation ultérieure.

• **Compétences requises** – L'installation de ce lave-vaisselle exige des compétences de base en mécanique, en électricité et en plomberie.

L'installateur est responsable de la qualité de l'installation. Toute défaillance du produit attribuable à une installation inadéquate n'est pas couverte par la Garantie de GE Appliances. Reportez-vous à la Garantie du produit.

• **Durée de l'installation** – Entre 1 et 3 heures.

L'installation d'un nouveau lave-vaisselle exige plus de temps que le remplacement d'un ancien modèle.

IMPORTANT – Le lave-vaisselle DOIT être installé de manière à ce qu'il puisse être sorti de son emplacement si des réparations sont nécessaires.

Il importe d'user de prudence lorsque l'appareil est installé ou déplacé afin de prévenir l'endommagement du cordon d'alimentation.

Si le lave-vaisselle que vous avez reçu est endommagé, communiquez immédiatement avec votre détaillant ou l'entrepreneur en construction.

Accessoires facultatifs – Reportez-vous au Manuel d'utilisation pour connaître les ensembles pour panneau décoratif personnalisés offerts.

Votre lave-vaisselle est un appareil qui chauffe l'eau.

REMARQUE : Considérez les options de recyclage des matériaux d'emballage de votre électroménager.

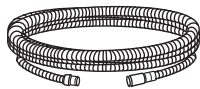
**VEUILLEZ LIRE ATTENTIVEMENT
CONSERVER CES DIRECTIVES**

Préparation pour l'installation

PIÈCES FOURNIES DANS L'EMBALLAGE:



Couvercle de la boîte de jonction et vis à tête hexagonale n° 10 et Vis à tête hexagonale n° 10 de 9,5 mm (3/8 po) de long pour boîte de jonction



Boyau de vidange (147 cm/58 po de long) (certains modèles)



Collier

Support de tuyau de vidange



Moulure de cuve (sur certains modèles)



Supports de montage (pour comptoirs ou armoires latérales en bois)



Vis à tête spéciale Phillips n° 8-18 x 15,8 mm (5/8 po) (pour fixer le lave-vaisselle au dessous du comptoir ou armoires latérales)



Poignée et clé Allen de 1/8 po (certains modèles)



Isolant isolantes (certains modèles)



Plinthe (certains modèles et préinstallée sur certains modèles)



Boutons de bouchon

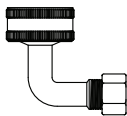


Les pinces du Bottle Jets (certains modèles)



Documentation

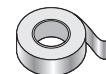
MATÉRIAUX NÉCESSAIRES :



90°, bague et écrou à compression (boyau avec filetage interne 19,1 mm [3/4 po] à une extrémité et de dimension adaptée à la conduite d'alimentation à l'autre extrémité)



Connecteurs vissables homologués UL (3)



Ruban-cache

MATÉRIAUX NÉCESSAIRES - POUR UNE NOUVELLE INSTALLATION :



Conduite d'eau chaude – 9,5 mm (3/8 po) minimum, tuyau en cuivre (incluant la bague et l'écrou à compression) ou la pièce WX28X326 de GE Appliances, boyau métallique flexible



Robinet d'arrêt (recommandé)



Optionnel -
Boyau de vidange de 3,7 m (12 pi) - WD24X10065
Boyau de vidange de 1,2 m (4 pi) - WD24X10062



Raccord en T pour la plomberie de la résidence, s'il y a lieu



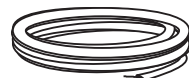
Coupure anti-refoulement pour le boyau de vidange, si nécessaire



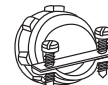
Raccord pour boyau de vidange facultatif



Collier (si nécessaire pour boyau de vidange optionnel)



Câble électrique ou Trousse de cordon d'alimentation WX09X70910 (5,4 pi) ou WX09X70911 (7,9 pi) en fonction de votre installation

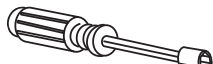


Bague anti-traction pour le raccordement électrique

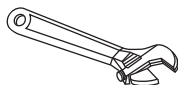
OUTILS NÉCESSAIRES :



Tournevis cruciforme



Tournevis à douille de 5/16 po



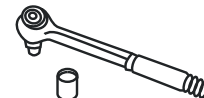
Clé à molette de 15 cm (6 po)



Niveau



Seau pour attraper l'eau lors de la purge du tuyau



Douille de 15/16 po (optionnelle pour la dépose de la palette)

Équerre de menuisier



Ruban à mesurer



Lunettes de sécurité



Lampe de poche

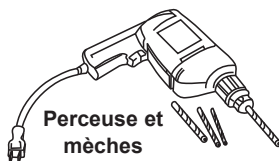


Gants



Pince

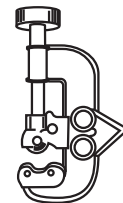
OUTILS NÉCESSAIRES - POUR UNE NOUVELLE INSTALLATION :



Perceuse et mèches



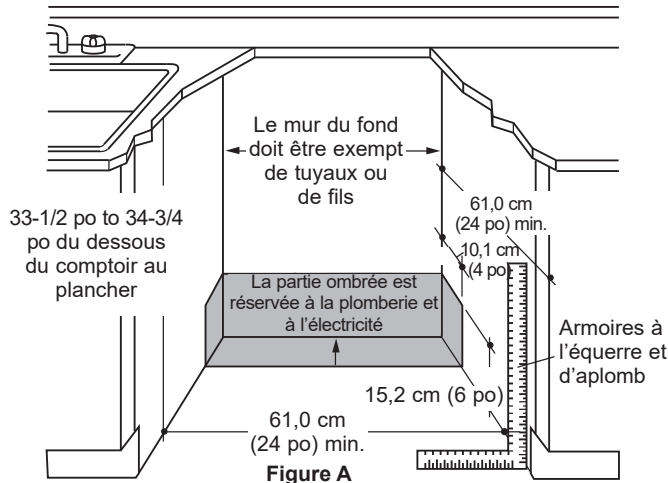
Scie-cloche



Coupe-tube

Préparation pour l'installation

PRÉPARATION DE L'OUVERTURE DANS LES ARMOIRES



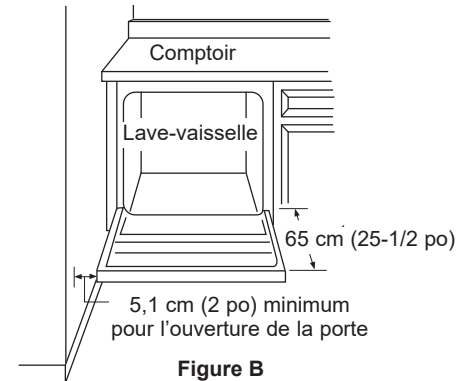
- L'ouverture dans les armoires doit mesurer au moins 61,0 cm (24 po) de largeur et de profondeur, et environ 87,6 cm (34-1/2 po) de hauteur à partir du plancher jusqu'au-dessous du comptoir.
- Le lave-vaisselle doit être installé de façon à ce que le boyau de vidange mesure au maximum 4,88 mètres (16 pieds) pour assurer une vidange adéquate.
- Le dessus, les côtés et l'arrière du lave-vaisselle doivent être complètement dissimulés à l'intérieur de l'ouverture. Le lave-vaisselle ne doit soutenir aucune partie de la structure des armoires.

⚠ AVERTISSEMENT Pour réduire les risques de choc électrique, d'incendie ou de blessures, l'installateur doit s'assurer que le lave-vaisselle est complètement encastré au moment de l'installation.

DIMENSION DE LA POIGNÉE DU LAVE-VAISSELLE : La porte de ce lave-vaisselle doit être à niveau avec l'armoire. Pour les modèles avec poignée, la profondeur totale (avec poignée) est de 67,9 cm (26 1/4 po) maximum selon le modèle. Consultez le document de spécifications rapides en ligne pour obtenir plus de dimension de lave-vaisselles.

DÉGAGEMENTS:

- Dans le cas d'une installation dans un coin, veuillez prévoir un dégagement d'au moins 5,1 cm (2 po) entre le lave-vaisselle et les armoires, le mur ou un électroménager adjacent. Veuillez prévoir un dégagement d'au moins 65 cm (25-1/2 po) à l'avant du lave-vaisselle pour l'ouverture de la porte.



EXIGENCES RELATIVES AU SYSTÈME DE VIDANGE

- Veuillez observer les ordonnances et les codes locaux en vigueur.
- Le boyau de vidange doit avoir une longueur maximale de 4,88 mètres (16 pieds).

REMARQUE : Il faut installer une coupure anti-refoulement si le raccord au broyeur à déchets ou au raccord en T se trouve à moins de 46 cm (18 po) au-dessus du plancher afin d'éviter un siphonage.

CHOIX DE LA MÉTHODE DE VIDANGE

Le type d'installation de vidange dépend des conditions suivantes.

- Les ordonnances ou codes locaux exigent-ils une coupure anti-refoulement?
- Le raccord T se trouve-t-il à moins de 46cm (18po) du plancher?

Si vous répondez OUI à l'une ou l'autre de ces questions, vous DEVEZ utiliser la méthode n° 1.

- Si vous répondez NON, vous pouvez employer l'une ou l'autre des méthodes.

PRÉPARATION DES ARMOIRES

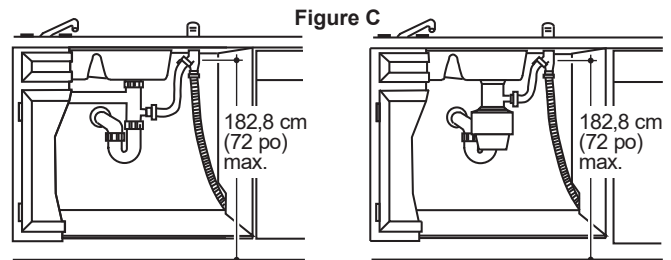
- Percez un trou de 3,8 cm (1-1/2 po) de diamètre dans la paroi de l'armoire qui se trouve dans la partie ombrée de la **PRÉPARATION DE L'OUVERTURE DANS LES ARMOIRES** pour le boyau de vidange. Assurez-vous que l'orifice ne présente pas d'arêtes vives.

IMPORTANT – Lorsque vous branchez le boyau de vidange à un broyeur à déchets, assurez-vous d'enlever le bouchon de vidange. **LE LAVE-VAISSELLE NE POURRA PAS SE VIDER SI VOUS LAISSEZ LE BOUCHON EN PLACE.**

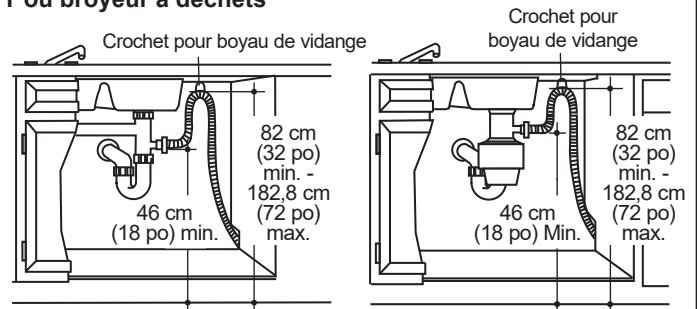


Méthode n° 1 – Coupure anti-refoulement avec raccord en T ou broyeur à déchets

Il faut installer une coupure anti-refoulement lorsqu'elle est exigée par les ordonnances et les codes locaux en vigueur. Cette coupure anti-refoulement doit être installée conformément aux directives données par le fabricant.



Méthode n° 2 – Boucle de vidange élevée avec raccord en T ou broyeur à déchets



Conseil: Pour éviter des frais de réparation inutiles. Assurez-vous d'enlever le bouchon de vidange du broyeur à déchets avant d'y brancher le boyau de vidange du lave-vaisselle.

Préparation pour l'installation

PRÉPARATION DU CÂBLAGE ÉLECTRIQUE

⚠ AVERTISSEMENT

POUR VOTRE SÉCURITÉ PERSONNELLE: Enlevez le fusible ou déclenchez le disjoncteur au panneau de distribution principal avant de commencer l'installation. N'utilisez pas une rallonge électrique ou un adaptateur de fiche avec cet appareil.

ALIMENTATION ÉLECTRIQUE

Assurez-vous que le branchement électrique et le calibre du fil sont adéquats et conformes avec la version récente de la norme ANSI/NFPA 70, le Code national de l'électricité, tous les règlements et toutes les ordonnances de votre région.

L'alimentation électrique de cet appareil doit être :

- 120 V, 60 Hz, en courant alternatif seulement, avec un fusible de 15 ou 20 A.
- Le câble électrique doit posséder deux fils, plus un fil de mise à la terre, et résister à une température nominale de 75 °C (167 °F).
- Si votre alimentation électrique ne répond pas à ces exigences, appelez un électricien agréé avant de poursuivre l'installation.

Nous recommandons d'avoir :

- Un disjoncteur ou fusible temporisé.
- Un circuit de dérivation individuel mis à la terre approprié.

Mise à la terre – Branchement permanent

Cet appareil doit être branché à un réseau électrique permanent mis à la terre. Sinon, il faut installer un conducteur de mise à la terre avec les conducteurs du circuit et le brancher à la borne de mise à la terre du réseau ou au fil de mise à la terre de l'appareil.

Mise à la terre – Modèles dotés d'un cordon d'alimentation

Cet appareil doit être mis à la terre. En cas de mauvais fonctionnement ou de défaillance, la mise à la terre réduira les risques de choc électrique en fournissant au courant électrique un circuit de moindre résistance. Cet appareil est doté d'un cordon d'alimentation possédant un conducteur de mise à la terre et une fiche de mise à la terre. La fiche doit être branchée dans une mise appropriée, installée et mise à la terre en conformité avec tous les codes locaux et ordonnances en vigueur.

⚠ AVERTISSEMENT

Un branchement inadéquat du conducteur de mise à la terre peut présenter des risques de choc électrique. Si vous n'êtes pas certain que l'appareil est correctement mis à la terre, consultez un réparateur ou un électricien qualifié.

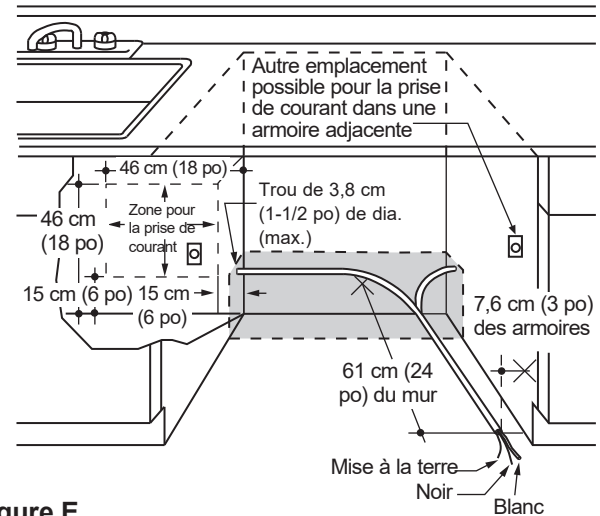


Figure E

⚠ AVERTISSEMENT

Dans le cas des modèles dotés d'un cordon d'alimentation : Ne modifiez pas la fiche fournie avec l'appareil; si vous ne pouvez pas la brancher dans la prise de courant, faites installer une prise de courant appropriée par un technicien qualifié.

Préparation des armoires et cheminement des fils

- Les fils peuvent entrer dans l'ouverture du côté droit, du côté gauche, de l'arrière ou du plancher dans la partie ombrée de la Figure E et de la Figure A.
- Percez un trou de 3,8 cm (1-1/2 po) de diamètre au maximum pour le passage du câble électrique. Le bord du trou doit être lisse et arrondi. Les fils électriques pour le branchement permanent peuvent passer par le même trou que le boyau de vidange et la conduite d'eau chaude, si c'est plus pratique. Si le trou est pratiqué dans une paroi en métal, les bords de l'orifice doivent être recouverts d'un passe-fils pour protéger les fils.

REMARQUE: Le cordon d'alimentation doté d'une fiche doit passer par un autre trou dans l'armoire.

Branchement électrique du lave-vaisselle

Le branchement électrique s'effectue du côté avant droit du lave-vaisselle.

- Dans le cas d'un branchement permanent, le câble doit être acheminé de la façon indiquée à la Figure E. Le câble doit avoir une longueur minimale de 61 cm (24 po) à partir du mur arrière.
- Dans le cas d'un branchement avec un cordon d'alimentation, installez une prise de courant mise à la terre à trois broches sur la paroi de l'armoire adjacente, entre 15 cm (6 po) et 46 cm (18 po) de l'ouverture, et entre 15 cm (6 po) et 46 cm (18 po) du plancher.
- Utilisez uniquement **WX09X70910** ou **WX09X70911** Trousse de cordon d'alimentation pour lave-vaisselle.

Préparation pour l'installation

PRÉPARATION DE L'ALIMENTATION EN EAU CHAUDE

REMARQUE: GE Appliances recommande l'utilisation d'un tuyau en cuivre pour la conduite d'alimentation en eau, mais vous pouvez choisir un boyau flexible tressé no **WX28X326** de GE Appliances.

- La conduite d'alimentation en eau (tuyau de cuivre de 9,5 mm [3/8 po] ou boyau flexible tressé) peut entrer du côté gauche, du côté droit, de l'arrière ou du plancher dans la partie ombrée indiquée dans la Figure F.
- La conduite d'alimentation en eau doit passer dans le même trou que le câble électrique et le boyau de vidange. Ou vous pouvez percer un trou supplémentaire de 3,8 cm (1-1/2 po) de diamètre pour le passage de la conduite d'eau. Si l'appareil est doté d'un cordon d'alimentation pourvu d'une fiche, la conduite d'eau chaude ne doit pas passer par le même trou que le cordon d'alimentation.

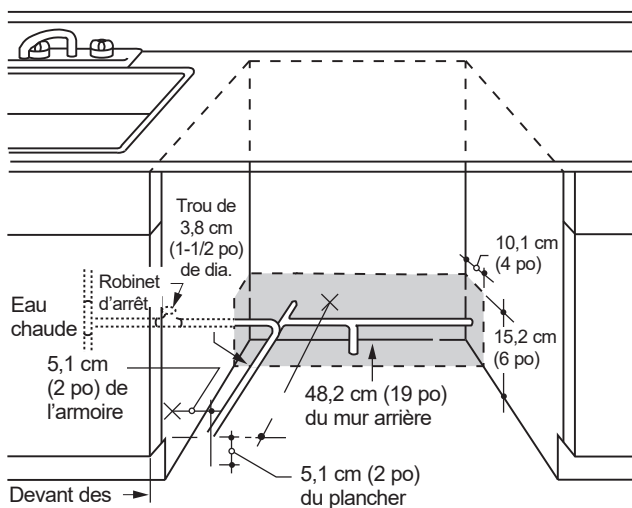


Figure F

RACCORDEMENT DE LA CONDUITE D'EAU CHAUDE

- Si vous utilisez un boyau flexible tressé, étiquetez le boyau et indiquez la date d'installation à des fins de référence. Les boyaux flexibles, coudés et joints tressés doivent être remplacés dans 5 ans.
- Coupez l'alimentation en eau.
- Installez un robinet d'arrêt à un endroit accessible, par exemple sous l'évier. (Cette installation est facultative, mais fortement recommandée, et peut même être exigée par les codes locaux en vigueur.)
- Le raccordement de la conduite d'eau s'effectue du côté gauche du lave-vaisselle. Installez la conduite d'eau chaude en utilisant un tuyau en cuivre de 9,5 mm (3/8 po) ou plus ou boyau flexible tressé. Acheminez la conduite d'eau de la façon indiquée dans la Figure F et amenez-la vers l'avant à au moins 48,2 cm (19 po) du mur arrière.
- Réglez le chauffe-eau à une température variant entre 49 °C (120 °F) et 65 °C (140 °F).
- Rincez la conduite d'eau pour éliminer tous les débris. Recueillez l'eau et les débris à l'aide d'un seau.
- La pression de la conduite d'alimentation en eau chaude doit varier entre 1,4 bar (20 lb/po²) et 8,3 bars (120 lb/po²).

ATTENTION

N'enlevez pas la base de bois avant d'être prêt à installer le lave-vaisselle. Si vous enlevez la base de bois, le lave-vaisselle pourrait basculer lorsque vous ouvrez la porte.

Tournez la page pour commencer l'installation du lave-vaisselle.

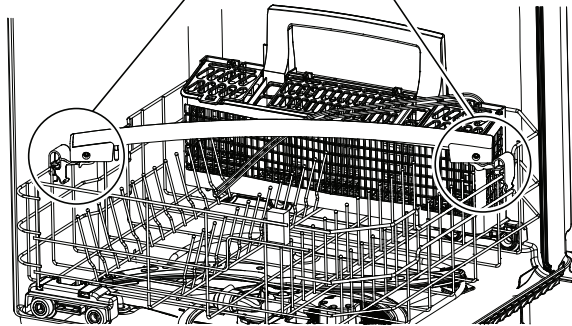
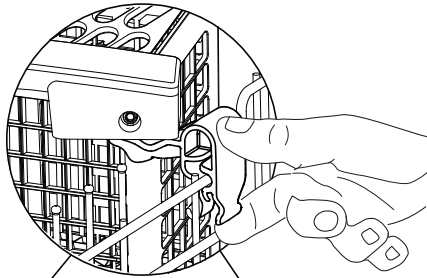
PRENEZ LES PIÈCES FOURNIES DANS L'EMBALLAGE ET METTEZ-LES DE CÔTÉ

- Ensemble de vis
- Couvercle de la boîte de jonction
- Boyau de vidange et collier
- Supports de montage
- Moulures (certains modèles)
- Crochet pour boyau de vidange
- Manuel d'utilisation
- Échantillons et/ou bons

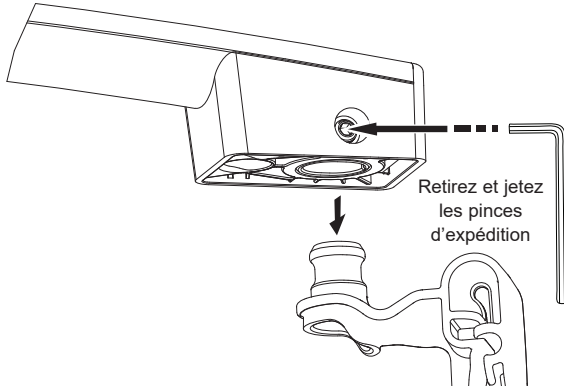
Installation du lave-vaisselle

ÉTAPE 1 INSTALLATION DE LA POIGNÉE (certains modèles)

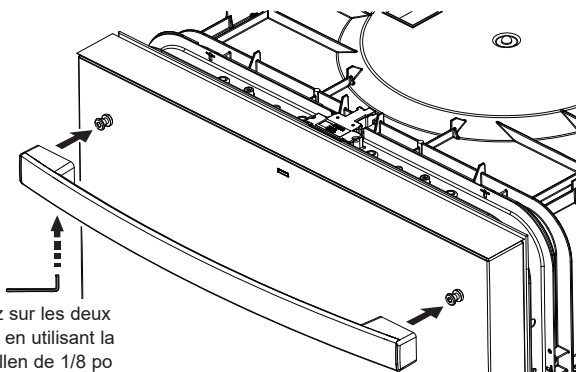
- Retirez la poignée emballée du panier inférieur en tirant ses pinces vers le haut pour les retirer.



- Avec la clé Allen de 1/8 po fournie, dévissez les vis de serrage pour retirer les pinces d'expédition et les jeter.



- Placez la poignée sur les fixations de montage de la porte du lave-vaisselle en positionnant les vis de serrage vers le bas puis serrez les vis de serrage avec la clé Allen.



Fixez sur les deux côtés en utilisant la clé Allen de 1/8 po

ÉTAPE 2 VÉRIFICATION DE L'ÉQUILIBRE DE LA PORTE

ATTENTION

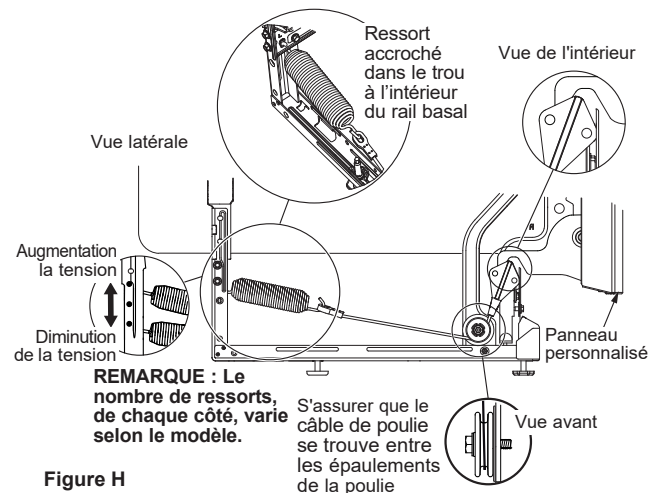
Ouvrir la porte causera le basculement du lave-vaisselle vers l'avant si son installation n'est pas complètement terminée. Pour ouvrir la porte avant la finalisation de l'installation, agrippez le haut du lave-vaisselle fermement avec une main et tenir la porte de l'autre main. Le port de gants est nécessaire.



REMARQUE : Si vous installez un panneau personnalisé (offert sur certains modèles), veuillez suivre les instructions fournies avec la trousse du panneau personnalisé **WD35X25996**.

- Sans enlever la base de bois du lave-vaisselle et en tenant fermement le dessus du lave-vaisselle, vérifiez l'équilibre de la porte en l'ouvrant et en la fermant.
- La porte est correctement équilibrée si, étant ouverte, elle se referme d'elle-même à l'intérieur de 20° de la verticale, reste en position de 20° à 70°, et s'ouvre entièrement au-delà de 70°.
- Si nécessaire, augmentez ou diminuez la tension, tel qu'illustré. Certains modèles sont munis de 2 ressorts d'un côté et d'un ressort de l'autre. Fermez la porte et ajustez les ressorts pour rétablir l'équilibre de la porte.

REMARQUE : Les modèles avec rails de base tubulaires ne sont pas réglables.



REMARQUE : Le nombre de ressorts, de chaque côté, varie selon le modèle.

S'assurer que le câble de poulie se trouve entre les épaulements de la poulie

Figure H

Conseil: Pour que la porte ouvre et se ferme facilement. Vérifiez la porte en l'ouvrant et en la fermant. Si elle n'ouvre pas facilement ou s'ouvre trop rapidement, vérifiez la disposition du câble du ressort. Le câble est retenu en place par des «épaulements» sur la poulie. Assurez-vous que le câble est bien installé sur les épaulements de la poulie comme indiqué.

Installation du lave-vaisselle

ÉTAPE 3 ENLÈVEMENT DE LA BASE DE BOIS, INSTALLATION DES PIEDS DE NIVELLEMENT

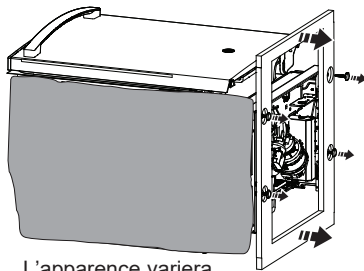
REMARQUE : Certains modèles ont une base en bois attachée.

ATTENTION

N'enlevez pas la base de bois avant d'être prêt à installer le lave-vaisselle. Si vous enlevez la base de bois, le lave-vaisselle pourrait basculer lorsque vous ouvrez la porte.

IMPORTANT – Ne frappez pas sur la base de bois pour l'enlever! Vous endommagerez ainsi l'appareil.

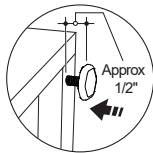
- Amenez le lave-vaisselle à proximité de son emplacement définitif et couchez-le sur le dos.
- REMARQUE :** Ne placez pas le lave-vaisselle sur un de ses côtés.
- Pour les modèles avec une base en bois fixée, enlevez les quatre pieds de nivellement sous la base de bois à l'aide d'une clé à douille de 24 cm (15/16 po).
- Retirez la base.



Enlevez tous les quatre pieds de nivellement et la base en bois

L'apparence variera

- **Sur les modèles sans système de nivellement réglable au centre inférieure :**
Remettez en place les pieds de nivellement sur le lave-vaisselle, à 1,27 cm (1/2 po) environ du cadre, comme indiqué dans l'illustration.

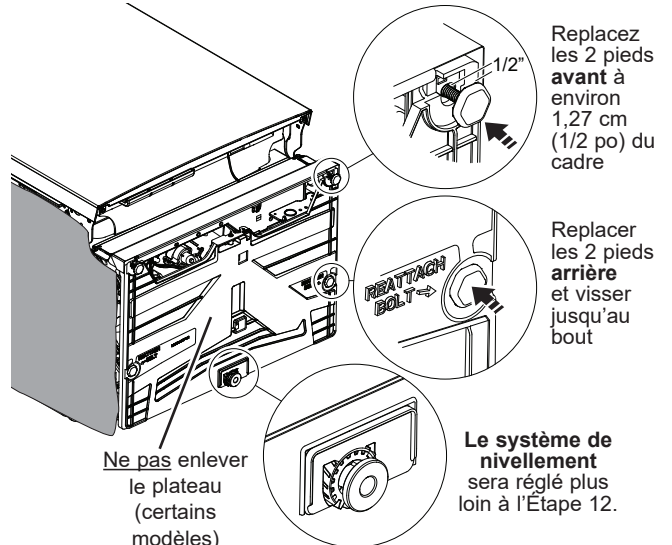


Replacer les 4 pieds à environ 1,27 cm (1/2 po) du cadre

- **Sur les modèles avec système de nivellement réglable au centre inférieure :**
Vissez les pieds de nivellement **avant** dans le cadre du lave-vaisselle sur environ 1,27 cm (1/2 po).

ÉTAPE 3 ENLÈVEMENT DE LA BASE DE BOIS, INSTALLATION DES PIEDS DE NIVELLEMENT (SUITE)

- Vissez les pieds de nivellement **arrière** dans le lave-vaisselle jusqu'au bout.



Remplacez les 2 pieds **avant** à environ 1,27 cm (1/2 po) du cadre

Remplacer les 2 pieds **arrière** et visser jusqu'au bout

Ne pas enlever le plateau (certains modèles)

Le système de nivellement sera réglé plus loin à l'Étape 12.

- Il ne faut pas enlever le plateau (certains modèles) pendant l'installation.

ÉTAPE 4 INSTALLATION DU COUDE DE 90°

- Vissez le coude de 90° dans l'électrovanne. Assurez-vous que le joint d'étanchéité en caoutchouc se situe entre l'électrovanne et le coude.
- Ne serrez pas le coude de façon excessive; le support de l'électrovanne pourrait se déformer ou le raccord de l'électrovanne pourrait se casser.
- Tournez l'extrémité du coude pour qu'il pointe vers l'arrière du lave-vaisselle.

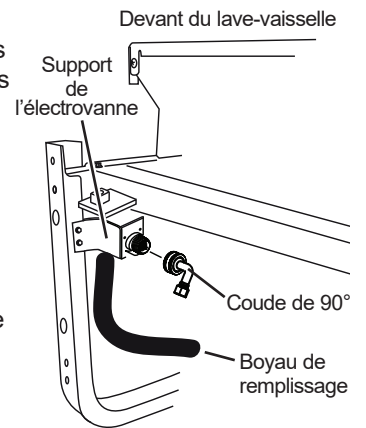


Figure M

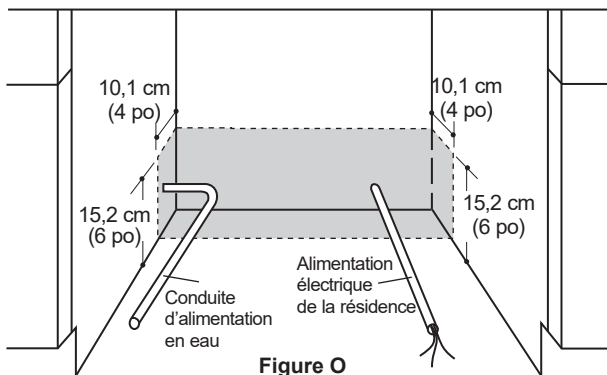
ÉTAPE 5 INSTALLER LE CONTENU DE LA TROUSSE D'ISOLATION (certains modèles)

Si votre modèle est livré avec une trousse d'isolation, suivez les instructions fournies avec la trousse et installez-la maintenant.

Installation du lave-vaisselle

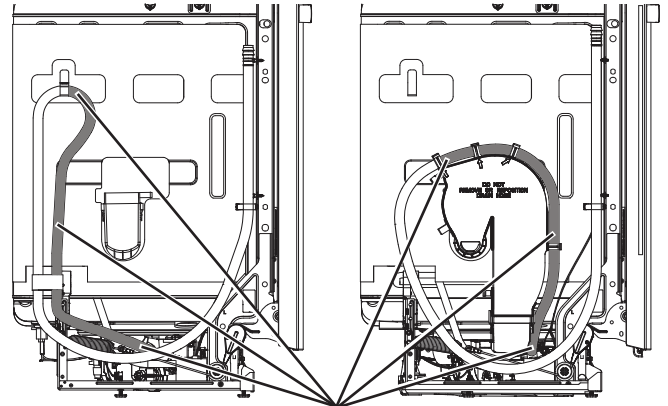
ÉTAPE 6 POSITIONNEMENT DE LA CONDUITE D'EAU ET DE L'ALIMENTATION ÉLECTRIQUE

- Positionnez la conduite d'alimentation en eau et le câblage de la résidence sur le plancher de l'ouverture afin qu'ils n'entrent pas en contact avec la base du lave-vaisselle et les pièces sous l'appareil.

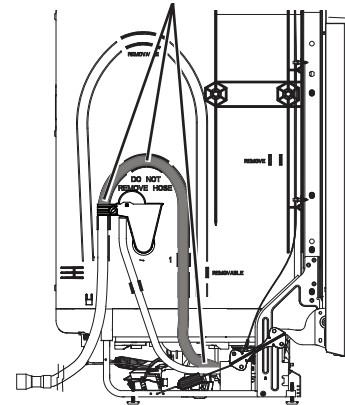


ÉTAPE 7 INSERTION DU BOYAU DE VIDANGE DANS L'ORIFICE DE L'ARMOIRE

- Identifiez l'illustration ci-dessous qui correspond le plus à votre modèle et détachez seulement la section du boyau de vidange illustrée en blanc.



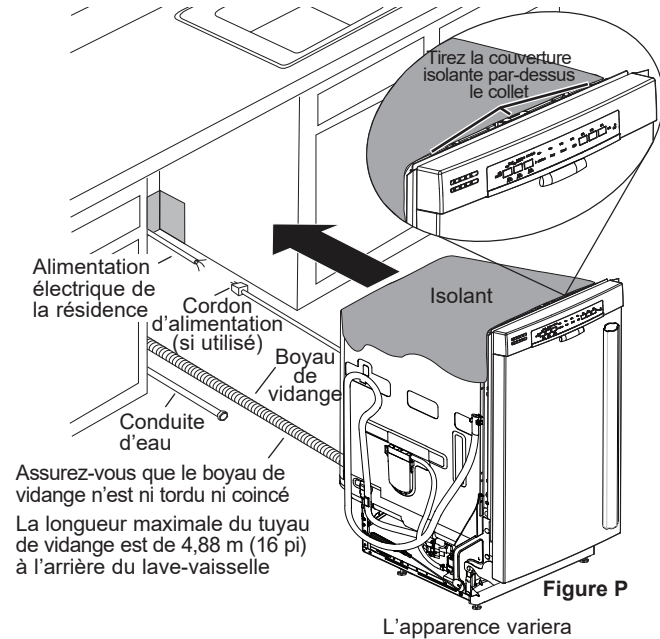
Ne détachez PAS la section du boyau de vidange illustrée en gris aux endroits indiqués.



Installation du lave-vaisselle

ÉTAPE 7 INSERTION DU BOYAU DE VIDANGE DANS L'ORIFICE DE L'ARMOIRE (SUITE)

- Placez le lave-vaisselle devant l'ouverture de l'armoire, et si elle est présente, délogez le boyau de vidange de sa fixation à ressort. Insérez le boyau de vidange dans l'orifice que vous avez précédemment percé dans la paroi des armoires. Si l'appareil est doté d'un cordon d'alimentation, faites passer l'extrémité du cordon dans un l'ouverture dans les armoires distinct.



Conseil: Pour éviter des frais de réparation inutiles pour des problèmes de remplissage, de vidange ou de bruit.

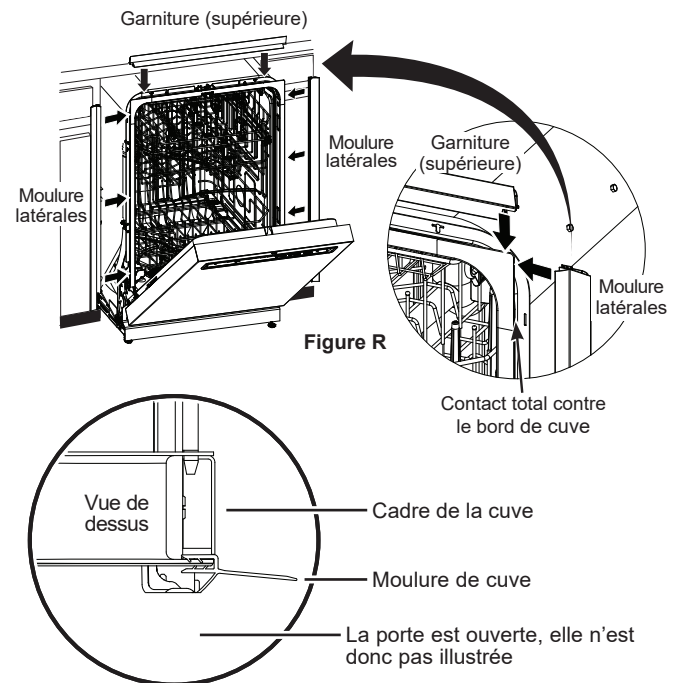
Placez la conduite d'eau et le câble électrique de manière à ce qu'ils n'entrent pas en contact avec quoi que ce soit à l'arrière ou en dessous du lave-vaisselle.

ÉTAPE 8 INSERTION AUX TROIS QUARTS DU LAVE-VAISSELLE DANS L'OUVERTURE (SUITE)

- Tirez sur le boyau de vidange et le cordon d'alimentation, s'il y a lieu, par les trous des armoires adjacentes au fur et à mesure. Arrêtez lorsque le lave-vaisselle dépasse le devant des armoires adjacentes d'environ 15 cm (6 po).
- Assurez-vous que le boyau de vidange n'est pas plié à l'arrière ou en dessous du lave-vaisselle.
- Assurez-vous que le câble électrique de la résidence, le boyau de vidange et la conduite d'eau n'entrent pas en contact avec des pièces sous le lave-vaisselle.

ÉTAPE 9 INSTALLATION DES MOULURES

Dans cette étape, vous aurez besoin des pièces de garniture mises de côté plus tôt.



- Prenez la garniture supérieure (voir la figure R) et centrez-la avec le loquet supérieur. Appuyez la garniture contre le support de gaine en la déplaçant de gauche à droite.
- Prenez la garniture gauche (voir la figure R). Alignez le bord supérieure de la garniture et appuyez-le contre le côté gauche du support de gaine en le déplaçant de haut en bas. Répétez cette étape pour le côté droit de la garniture. (Voir la figure R pour le côté droit de la garniture.)

ÉTAPE 8 INSERTION AUX TROIS QUARTS DU LAVE-VAISSELLE DANS L'OUVERTURE

IMPORTANT – Ne poussez pas sur le panneau avant avec vos genoux. Vous pourriez endommager l'appareil.

- Saisissez le panneau avant de l'appareil par les côtés et faites glisser le lave-vaisselle dans l'ouverture de quelques centimètres ou pouces à la fois.

Ne poussez pas sur le panneau avant de la porte avec votre genou. Vous risquez d'endommager le panneau de porte.



Installation du lave-vaisselle

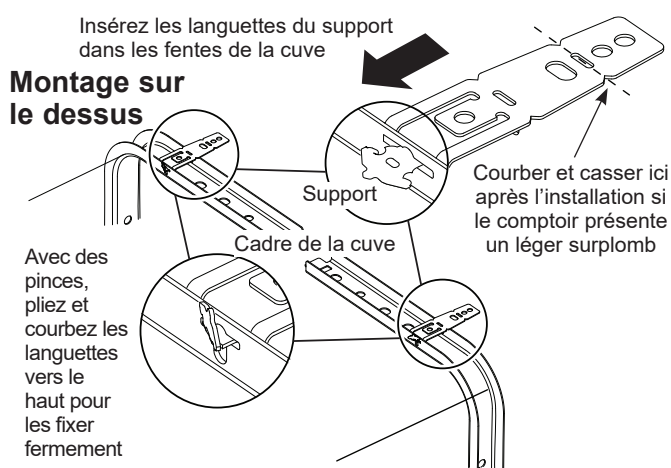
ÉTAPE 10 INSTALLATION DES SUPPORTS DE MONTAGE

Vous aurez besoin des supports de montage mis de côté plus tôt.

Vous devez poser les supports de montage sur le dessus **OU** les côtés du cadre de la cuve du lave-vaisselle avant de glisser le lave-vaisselle en place sous le comptoir.

Posez les supports de montage sur le dessus si le dessous du comptoir est en bois ou un matériau similaire qui accepte les vis :

Installez les supports en insérant les languettes dans les fentes du cadre de cuve, comme montré. **REMARQUE :** Vous pouvez devoir manœuvrer les languettes dans les fentes.



Avec des pinces, pliez et courbez les languettes vers le haut pour les fixer fermement, comme montré.

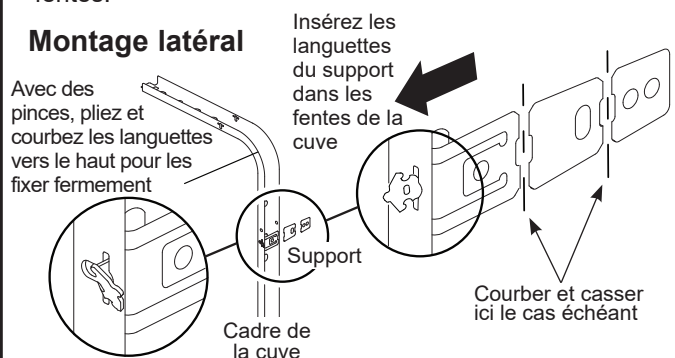
IMPORTANT - Après installation des supports et avant de fermer la porte du lave-vaisselle, ajustez les supports en les pliant de façon à ce qu'ils ne soient pas en contact avec le haut de la porte du lave-vaisselle et ne causent pas de dommage.

- Si vous installez le lave-vaisselle sous un comptoir dont la profondeur est plus courte, il est possible que les supports pour le comptoir dépasse à l'avant du comptoir. Si c'est le cas, supprimez la longueur excédentaire en courbant à répétition les supports vis-à-vis de l'encoche avant seulement, jusqu'à la cassure.

ÉTAPE 10 INSTALLATION DES SUPPORTS DE MONTAGE (SUITE)

Posez les supports de montage sur les côtés si le comptoir est en granite ou un matériau similaire qui n'accepte pas les vis à bois :

- Cassez la partie avant de la support à l'aide de pince à l'endroit indiqué, avant la fixation sur le lave-vaisselle.
- Installez les supports en insérant les languettes dans les fentes du cadre de la cuve, comme montré. **REMARQUE :** Vous pouvez devoir manœuvrer les languettes dans les fentes.



ÉTAPE 11 INSTALLATION DU LAVE-VAISSELLE DANS SON EMPLACEMENT DÉFINITIF

- Vérifiez l'isolant de la cuve, s'il y a lieu, pour vous assurer qu'il enveloppe complètement la cuve. L'isolant ne doit pas «retrousser» ou entrer en contact avec les ressorts de la porte. Si l'isolant est «déplacé» ou entre en contact avec les ressorts, remplacez-le correctement avant de faire glisser l'appareil dans son emplacement définitif.
- Faites glisser le lave-vaisselle dans son emplacement définitif en poussant sur les côtés du panneau de la porte. Abstenez-vous de pousser ou tirer la porte en position fermée ou partiellement ouverte lors du déplacement du lave-vaisselle. Ne poussez pas sur le centre du panneau avec votre genou. Vous pourriez endommager le panneau. Avant de fixer le lave-vaisselle sur l'armoire, assurez-vous qu'il est placé d'équerre dans l'ouverture, aussi bien dans sa partie inférieure que supérieure.

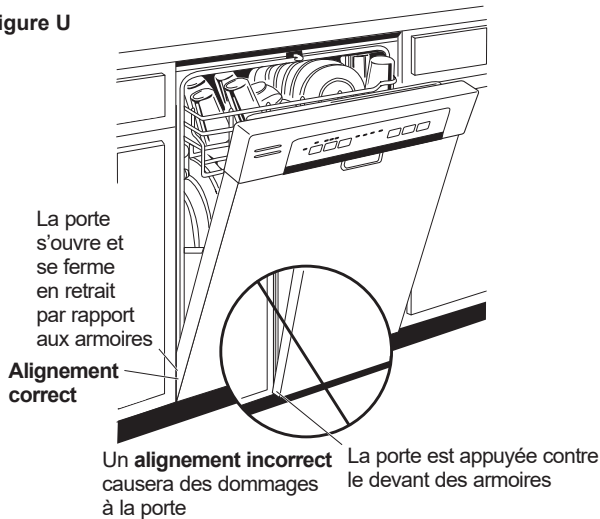
IMPORTANT – Avant d'ouvrir la porte du lave-vaisselle, assurez-vous que les bords du panneau de porte du lave-vaisselle sont en retrait par rapport au devant des armoires adjacentes, et non pas appuyés contre le devant des armoires. Reportez-vous à la Figure U. Si vous ouvrez la porte du lave-vaisselle et que le bord de la porte est appuyé contre le devant des armoires, vous pourriez endommager la porte du lave-vaisselle et les armoires.

Installation du lave-vaisselle

ÉTAPE 11 INSTALLATION DU LAVE-VAISSSELLE DANS SON EMPLACEMENT DÉFINITIF (SUITE)

- Ouvrez et fermez la porte du lave-vaisselle pour vous assurer qu'elle fonctionne correctement et qu'elle ne frotte pas contre les armoires adjacentes.

Figure U



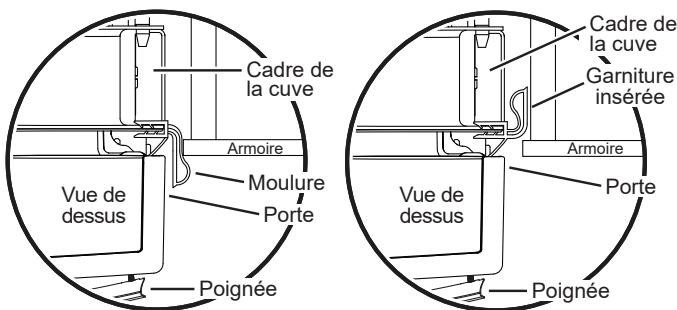
Conseil: Pour éviter des frais de réparation inutiles pour des dommages au panneau avant ou un problème d'efficacité de lavage.

Vérifiez l'alignement du lave-vaisselle avant d'ouvrir la porte afin de prévenir tout dommage au panneau de la porte.

Assurez-vous que la conduite d'eau et le câble électrique ne sont pas coincés ou écrasés à l'arrière du lave-vaisselle. Une conduite écrasée réduit le débit d'eau.

Assurez-vous que la moulure de cuve ne touche la porte en aucun point

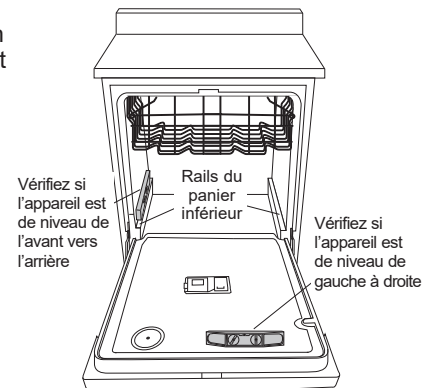
Si la garniture interfère avec la porte, elle peut être insérée vers l'intérieur comme autre méthode d'installation



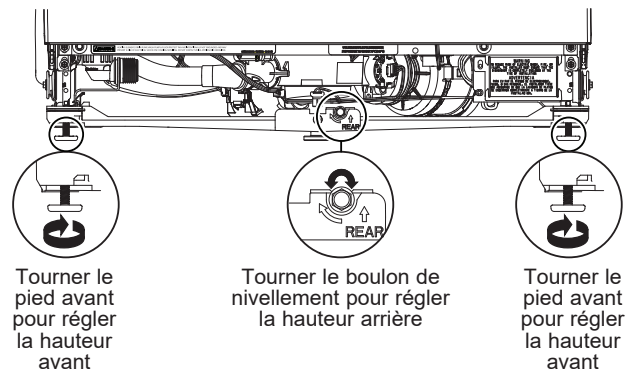
Si nécessaire, la moulure de cuve peut être rognée pour assurer le bon fonctionnement de la porte

ÉTAPE 12 MISE DE NIVEAU DU LAVE-VAISSSELLE (SUITE)

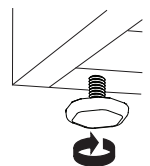
- Enlevez le panier inférieur et placez un niveau sur la porte et sur le rail du panier inférieur, comme indiqué à la figure.



Si votre modèle est doté d'un système de nivellement arrière, la hauteur arrière se règle depuis l'avant du lave-vaisselle avec les deux pattes avant situées au bas du lave-vaisselle. Tournez individuellement les 2 pattes et les 2 boulons avant. Réglez d'abord les pieds avant. Lorsque les pieds avant sont réglés à une hauteur procurant le dégagement approprié à l'armoire supérieure, procédez au nivellement arrière en réglant le boulon de nivellement comme illustré. Tournez le boulon pour régler le nivellement arrière. Tournez-le dans le sens des aiguilles pour élever l'arrière du lave-vaisselle, et dans le sens contraire pour le baisser. Continuez à régler le pied jusqu'à ce que le lave-vaisselle soit de niveau comme illustré. Assurez-vous que tous les 3 pieds sont fermement en contact avec le plancher.



Si votre modèle est équipé de 4 pattes de nivelage, mettez le lave-vaisselle de niveau en vissant ou dévissant chacun des quatre pieds de nivellement sous l'appareil, comme indiqué à la figure.



- Le lave-vaisselle est correctement de niveau lorsque l'indicateur de niveau est centré de gauche à droite et de l'avant vers l'arrière. La porte du lave-vaisselle devrait se fermer sans frotter contre les côtés de la cuve.
- Remettez en place le panier inférieur.

Conseil: Pour éviter des frais de réparation inutiles, vérifiez si le lave-vaisselle est de niveau.

Sortez les paniers à moitié. Ils doivent demeurer immobiles. Ouvrez et fermez la porte. La porte doit être bien ajustée à l'ouverture de la cuve sans frotter sur les côtés. Si les paniers rentrent ou sortent tout seuls ou si la porte frotte contre les côtés de la cuve, remettez le lave-vaisselle de niveau.

ÉTAPE 12 MISE DE NIVEAU DU LAVE-VAISSSELLE

IMPORTANT – Le lave-vaisselle doit être de niveau pour assurer le bon fonctionnement des paniers et de la porte du lave-vaisselle et obtenir une bonne efficacité de lavage. Le lave-vaisselle doit être mis de niveau de gauche à droite, et de l'avant vers l'arrière. De cette façon, les paniers de l'appareil ne rentreront pas ou ne sortiront pas tout seuls, l'eau circulera correctement vers l'orifice d'entrée de la pompe et la porte se fermera sans frotter sur les côtés de la cuve.

Installation du lave-vaisselle

ÉTAPE 13 FIXATION DU LAVE-VAISSELLE AU-DESSOUS DU COMPTOIR OU AUX CÔTÉS DES ARMOIRES

Dans cette étape, vous aurez besoin des 2 tournevis Phillips à tête spéciale des vis mises de côté plus tôt.

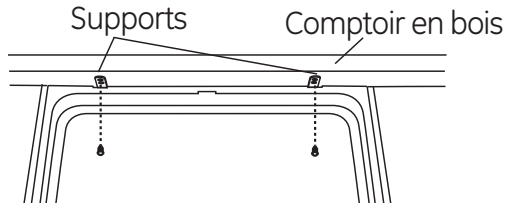
Le lave-vaisselle doit être fixé au dessous du comptoir ou aux côtés des armoires. Lorsque le dessous du comptoir est en bois, utilisez la méthode n° 1. Lorsque le dessous du comptoir est fabriqué à l'aide d'un matériau qui n'accepte pas les vis à bois, par exemple en granite, utilisez la méthode n° 2.

IMPORTANT – Pour éviter tout dommage au panneau de la porte et au tableau de commande, il faut que le lave-vaisselle soit installé de manière que le panneau avant et le tableau de commande n'entrent pas en contact avec les armoires adjacentes ou le comptoir. Vissez les vis complètement et bien droites. Les têtes de vis qui dépassent pourraient égratigner le panneau de porte ou le tableau de commande et créer de l'interférence lors de l'ouverture de la porte.

Méthode n° 1

Fixation du lave-vaisselle au dessous d'un comptoir en bois.

- Revérifiez l'alignement du lave-vaisselle dans l'ouverture des armoires. Reportez-vous aux étapes 11 et 12. Le panneau de porte et/ou le tableau de commande ne doivent pas entrer en contact avec les armoires ou le comptoir.
- Fixez le lave-vaisselle au dessous du comptoir à l'aide des deux vis à tête spéciale Phillips. Reportez-vous à la figure. Assurez-vous de visser complètement les vis bien droites afin que les têtes soient affleurantes pour ne pas endommager le panneau.



Méthode n° 2

Fixation du lave-vaisselle aux côtés des armoires.

- Revérifiez l'alignement du lave-vaisselle dans l'ouverture des armoires. Reportez-vous aux étapes 11 et 12. Le panneau de porte et/ou le tableau de commande ne doivent pas entrer en contact avec les armoires ou le comptoir.
- Retirez les bouchons. Conservez-les.
- Fixez le lave-vaisselle au dessous du comptoir à l'aide des deux vis à tête spéciale Phillips. Reportez-vous à la Figure X. Assurez-vous de visser complètement les vis bien droites afin que les têtes soient affleurantes pour ne pas endommager le panneau.
- Installez les boutons de bouchon sur le côté de la cuve dans les trous prévus à cet effet.

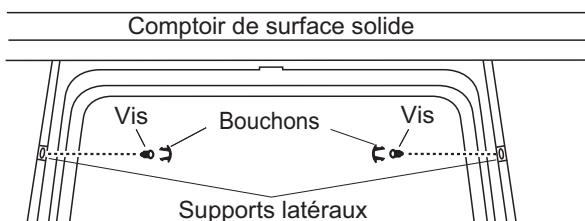


Figure X

ÉTAPE 13 FIXATION DU LAVE-VAISSELLE AU-DESSOUS DU COMPTOIR OU AUX CÔTÉS DES ARMOIRES (SUITE)

- Vérifiez une nouvelle fois que le lave-vaisselle est d'équerre et de niveau aussi bien dans le haut que dans le bas de l'ouverture d'armoire, sans torsion ni déformation de la cuve ou de la porte après le montage des armoires ou du comptoir. Procédez à un ajustement si nécessaire.
- Assurez-vous que tous les pieds de nivellement reposent fermement sur le plancher afin de prévenir le balancement du lave-vaisselle et garantir le bon fonctionnement de la porte et du loquet.

ÉTAPE 14 RACCORDEMENT DE L'ALIMENTATION EN EAU

Raccordez la conduite d'alimentation en eau au coude de 90°.

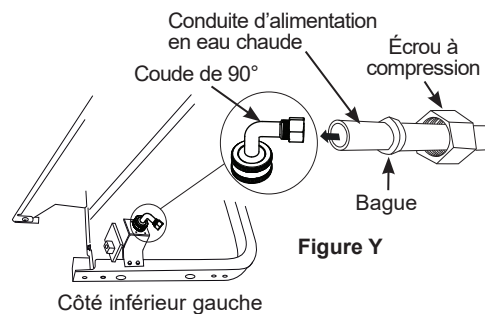
Si vous décidez de faire le raccordement avec un boyau flexible tressé :

- Fixez le coude de 90° avec une clé à molette

Si vous décidez de faire le raccordement avec un tuyau en cuivre :

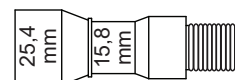
- Glissez l'écrou à compression puis la bague d'extrémité à l'extrémité de la conduite d'alimentation en eau.
- Insérez la conduite d'alimentation en eau dans le coude de 90°.
- Glissez la bague d'extrémité contre le coude et fixez avec l'écrou à compression.

IMPORTANT – Assurez-vous que les ressorts et/ou les câbles des ressorts de la porte n'entrent pas en contact avec le boyau de remplissage ou la conduite d'alimentation en eau. Pour vérifier, ouvrez et refermez la porte. Déplacez la conduite d'alimentation en eau ou pliez légèrement le support de l'électrovanne si vous entendez un bruit de frottement ou s'il y a de l'interférence lors de l'ouverture de la porte.



ÉTAPE 15 RACCORDEMENT DU BOYAU DE VIDANGE

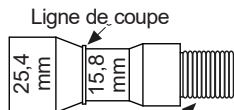
- Le tuyau doit déjà avoir été détaché de la baignoire aux emplacements indiqués. L'extrémité moulée du boyau de vidange est conçue pour s'installer sur l'orifice d'entrée d'un diamètre variant entre 15,8 mm (5/8 po) et 25,4 mm (1 po) de la coupure anti-



Installation du lave-vaisselle

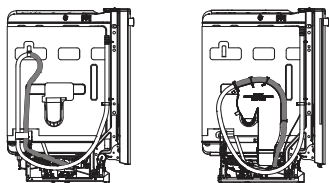
ÉTAPE 15 RACCORDEMENT DU BOYAU DE VIDANGE (SUITE)

- Mesurez le diamètre de l'orifice d'entrée. Au besoin, coupez le raccord du boyau de vidange à l'endroit indiqué, pour qu'il soit bien adapté à l'orifice d'entrée.



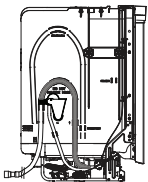
IMPORTANT: Ne coupez pas la partie ondulée du boyau

- Si un tuyau de vidange plus long est nécessaire et que votre modèle ressemble à l'un des suivants :

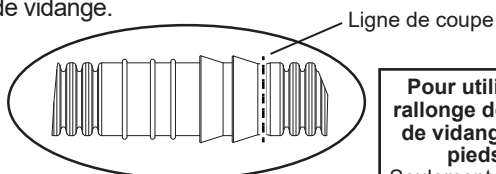


Remplacez celui fourni dans la trousse par la pièce de rechange GE Appliance **WD24X10065**, un boyau d'une longueur de 3,7 m (12 pi) pouvant se fixer directement à la boucle de vidange déjà attachée à l'appareil.

- Si un tuyau de vidange plus long est nécessaire et que votre modèle ressemble à ceci :



Vous pouvez acheter une rallonge de tuyau de vidange - pièce de rechange GE Appliances **WD24X10062** (longueur 4 pi) ou **WD24X10065** (longueur 12 pi) qui peut être connectée directement au tuyau de vidange déjà attaché à l'unité. Pour utiliser la rallonge, vous devez couper le tuyau de vidange fourni avec l'unité comme illustré. Utilisez un coupe-tuyau ou un couteau à lame de rasoir pour couper le tuyau de vidange.



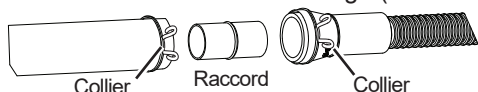
Tuyau de vidange du lave-vaisselle



Connexion au lave-vaisselle

Pour utiliser la rallonge de tuyau de vidange de 12 pieds : ne coupez qu'UN de ces deux emplacements

Si le boyau de rechange n'est pas disponible, un boyau additionnel avec raccord 5/8 ou 7/8 po (D.I.) et d'une longueur n'excédant pas 1,7 m (66 po), peut être raccordé au boyau de vidange fourni. Fixez le raccordement au boyau fourni à l'aide de collier de serrage (à trouver sur place).



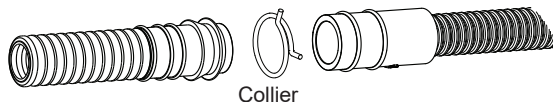
Collier

Raccord

Collier

ÉTAPE 15 RACCORDEMENT DU BOYAU DE VIDANGE (SUITE)

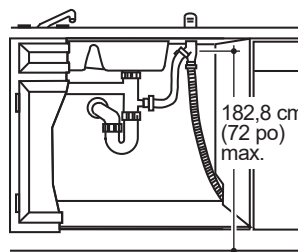
REMARQUE : LA LONGUEUR TOTALE DU TUYAU DE VIDANGE NE DOIT PAS DÉPASSER 4,88 M (16 PIEDS) DE L'ARRIÈRE DU LAVE-VAISSELLE POUR UN FONCTIONNEMENT CORRECTE DE LA VIDANGE.



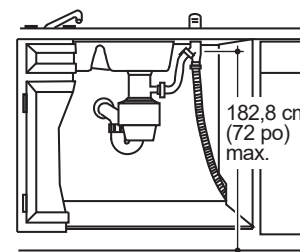
Collier

- Branchez le boyau de vidange à la coupure anti-refoulement, au raccord en T ou au broyeur à déchets à l'aide de la méthode choisie précédemment. Fixez solidement le boyau à l'aide d'un collier.

Méthode n° 1 – Coupure anti-refoulement avec raccord en T ou broyeur à déchets



Installation avec raccord en T

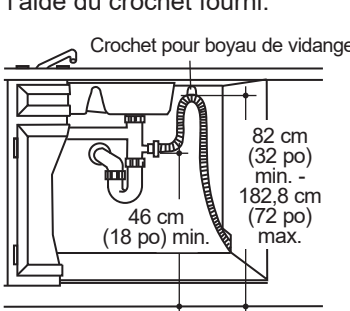


Installation avec broyeur à déchets

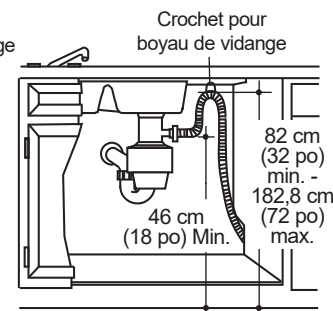
Méthode n° 2 – Boucle de vidange élevée avec raccord en T ou broyeur à déchets

Avec cette méthode, vous aurez besoin du support de tuyau de vidange mis de côté plus tôt.

Fixez le boyau de vidange au-dessous du comptoir à l'aide du crochet fourni.

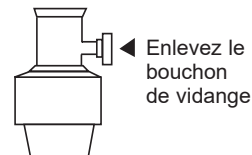


Installation avec raccord en T



Installation avec broyeur à déchets

IMPORTANT – Lorsque vous raccordez le boyau de vidange à un broyeur à déchets, assurez-vous d'enlever le bouchon de vidange. LE LAVE-VAISSELLE NE SE VIDERA PAS SI LE BOUCHON EST LAISSÉ EN PLACE.



Enlevez le bouchon de vidange

Conseil: Pour éviter les frais de réparation inutiles pour un problème de vidange.

Tirez sur le boyau de vidange par l'ouverture pratiquée dans les armoires afin d'empêcher le lave-vaisselle d'écraser ou de plier une longueur excessive de boyau.

Installation du lave-vaisselle

ÉTAPE 16 BRANCHEMENT DE L'ALIMENTATION ÉLECTRIQUE

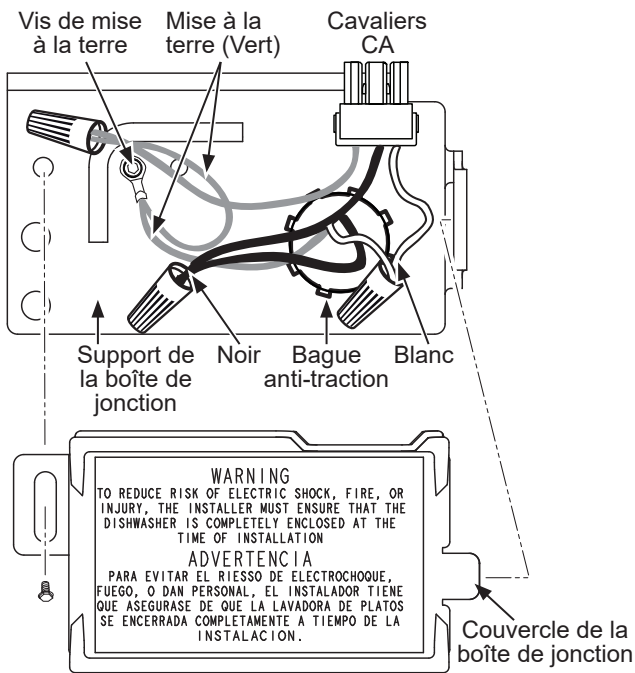
Si un cordon d'alimentation pourvu d'une fiche est déjà installé sur l'appareil, passez à l'étape 17.

▲ AVERTISSEMENT

Si le câblage électrique de la résidence n'est pas constitué de deux fils plus un fil de mise à la terre, l'installateur doit installer un fil de mise à la terre. Si le câblage électrique de la résidence est en aluminium, utilisez un agent antioxydant et des connecteurs pour raccords «aluminium-cuivre» homologués UL.

Dans cette étape, vous aurez besoin du couvercle de la boîte de jonction et du tournevis à tête hexagonale n° 10, des vis mises de côté plus tôt.

- Fixez le câblage de la résidence à l'arrière de la boîte de jonction à l'aide d'une bague anti-traction.
- Repérez les trois (3) fils du lave-vaisselle, (blanc, noir et vert) avec les bouts dénudés dépassant des cavaliers CA. Utilisez les capuchons de connexion homologués UL de taille appropriée pour connecter le fil de terre arrivant au fil vert, le blanc au blanc et le noir au noir.
- Installez le couvercle de la boîte de jonction à l'aide de la vis à tête hexagonale n° 10. Assurez-vous que les fils ne sont pas coincés sous le couvercle.
- Assurez-vous que le couvercle de la boîte de jonction repose sur le support de montage.
- Si vous utilisez une trousse pour cordon d'alimentation, utiliser le numéro de partie GE Appliances **WX09X70910** ou **WX09X70911** et veuillez consulter les instructions fournies avec la trousse.



REMARQUE : Toutes les vis et tous les supports et les fils servant de mise à la terre doivent demeurer intacts.

ÉTAPE 17 LISTE DE CONTRÔLE PRÉLIMINAIRE

Passez en revue cette liste après l'installation de votre lave-vaisselle pour éviter des frais de réparation inutiles non couverts par votre garantie.

- Assurez-vous que le courant électrique est coupé à la source.
- Ouvrez la porte du lave-vaisselle et enlevez tout le matériel d'emballage en carton et en mousse.
- Localisez le manuel du propriétaire mis de côté plus tôt.
- Veuillez lire le Manuel d'utilisation pour vous familiariser avec le fonctionnement de l'appareil.
- Vérifiez l'ouverture et la fermeture de la porte. Si la porte n'ouvre pas et ne se ferme pas librement, vérifiez si le câble du ressort est installé sur la poulie. Si la porte s'ouvre complètement ou se ferme lorsque vous la relâchez, réglez la tension du ressort. Reportez-vous à l'étape 2.
- Assurez-vous que le câblage électrique est bien placé sous le lave-vaisselle, qu'il n'est pas coincé ou qu'il n'entre pas en contact avec les ressorts de la porte ou d'autres pièces de l'appareil. Reportez-vous à l'étape 16.
- Vérifiez si la porte est bien parallèle par rapport à la cuve. Si la porte frotte sur la cuve, mettez le lave-vaisselle de niveau. Reportez-vous aux étapes 12.
- Vérifiez si la porte du lave-vaisselle est bien parallèle par rapport aux armoires. Si la porte frotte contre les armoires, repositionnez le lave-vaisselle. Reportez-vous à l'étape 11.
- Assurez-vous que les ressorts de la porte n'entrent pas en contact avec la conduite d'alimentation, le boyau de remplissage, le câblage électrique ou toute autre pièce de l'appareil. Reportez-vous à l'étape 11.
- Assurez-vous que la conduite d'alimentation en eau et le boyau de vidange ne sont pas pliés ou n'entrent pas en contact avec d'autres pièces. Tout contact avec le moteur ou le cadre du lave-vaisselle pourrait provoquer l'apparition de bruits.
- Ouvrez le robinet d'eau chaude de l'évier et vérifiez si la température de l'eau varie entre 49 °C (120 °F) et 60 °C (140 °F). La température de l'eau doit être d'au moins 49 °C (120 °F) pour assurer une efficacité de lavage optimale. Reportez-vous à la section «Préparation de l'alimentation en eau chaude» à la page 5.
- Versez 1 litre d'eau dans le fond du lave-vaisselle pour lubrifier le joint de la pompe.
- Ouvrez l'alimentation en eau chaude. Vérifiez s'il y a des fuites. Serrez les raccords au besoin.
- Enlevez la pellicule protectrice, s'il y a lieu, sur le tableau de commande et la porte.
- Assurez-vous que la mouleure de cuve ne touche pas à la porte.

Installation du lave-vaisselle

ÉTAPE 18 ESSAI DU LAVE-VAISSELLE AVEC DE L'EAU

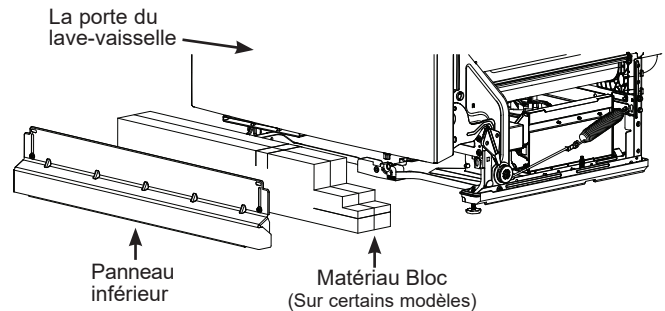
- Rétablissez l'alimentation électrique ou si l'appareil est doté d'un cordon d'alimentation, branchez-le dans la prise de courant murale.
- Sélectionnez un cycle à exécuter et pressez la touche **Start** (Démarrer).
- Vérifiez que la porte est verrouillée. Le lave-vaisselle devrait démarrer.
- Assurez-vous que le lave-vaisselle se remplit. Si le lave-vaisselle ne se remplit pas d'eau, vérifiez si le robinet de la conduite est ouvert et si le lave-vaisselle est sous tension.
- Vérifiez s'il y a des fuites sous le lave-vaisselle. Si tel est le cas, coupez l'alimentation électrique en déclenchant le disjoncteur, serrez les raccords, puis rétablissez le courant.

REMARQUE : Une petite quantité d'eau peut être projetée hors de l'entonnoir de remplissage du côté droit de la cuve lors de la première utilisation. Cette projection survient habituellement en présence d'air dans la conduite d'eau d'une nouvelle construction ou si le robinet a été fermé pendant une longue période.

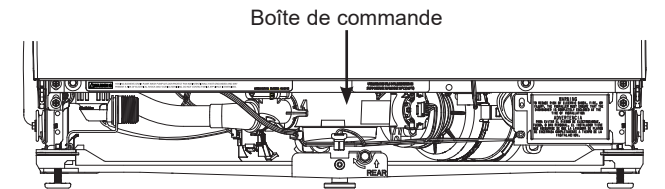
- Vérifiez s'il y a des fuites autour de la porte. Ces fuites peuvent être causées par le frottement de la porte du lave-vaisselle contre les armoires adjacentes. Repositionnez le lave-vaisselle au besoin. Reportez-vous à l'étape 11.
- Maintenez enfoncée la touche **Start** (Démarrer) durant 3 secondes pour annuler le cycle. L'appareil commencera à se vidanger. Vérifiez le boyau de vidange. S'il présente des fuites, coupez l'alimentation électrique en déclenchant le disjoncteur et corrigez le problème de plomberie, au besoin. Rétablissez le courant après avoir colmaté la fuite. Reportez-vous aux étapes 4, 6, 7, 8 et 15.
- Ouvrez la porte du lave-vaisselle et assurez-vous que la majeure partie de l'eau a été vidangée. Si l'appareil ne s'est pas vidé, assurez-vous que le bouchon de vidange du broyeur à déchets a été enlevé et(ou) que la coupure anti-refoulement est exempte de débris. Vérifiez également le boyau de vidange pour vous assurer qu'il n'est pas coincé en dessous ou à l'arrière du lave-vaisselle. Reportez-vous à l'étape 15.
- Appuyez sur la touche **Start** (Démarrer) une fois de plus et lancez le lave-vaisselle dans un autre cycle. Vérifiez l'absence de fuites et apportez des correctifs si nécessaire.
- Répétez ces étapes que nécessaire.

ÉTAPE 19 MISE EN PLACE DE L'ISOLANT ACOUSTIQUE (certains modèles)

- Situez l'ensemble d'insonorisation inférieur à l'intérieur du lave-vaisselle.
- Placer les pièces à la verticale comme illustré.



- Repérer la boîte de commande.



- Pousser le matériau la partie du bloc sous le lave-vaisselle jusqu'à ce se trouve sous la boîte de commande.

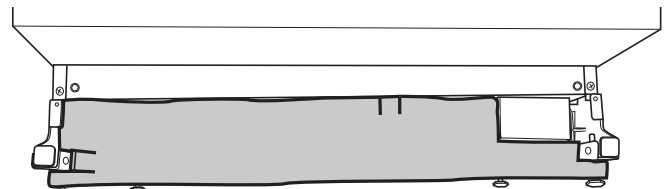
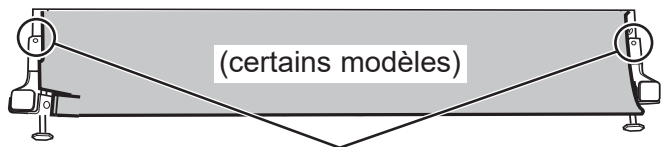


Figure AH

- Poussez la partie panneau sur le devant du bloc.



Pousser les côtés du matériau insonorisant derrière les trous de vis de fixation du coup-de-pied.

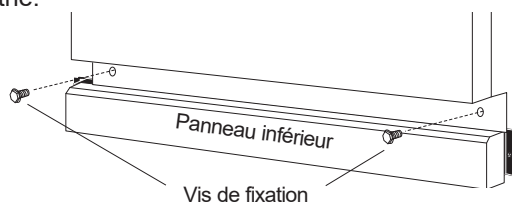
- Rentrer les côtés du panneau frontal derrière les trous de vis de fixation du coup-de-pied.

Installation du lave-vaisselle

ÉTAPE 20 INSTALLATION DU PANNEAU INFÉRIEUR

- Retirez les 2 vis du sac de l'utilisateur.
- Appuyez le panneau inférieur contre les pieds de nivellement du lave-vaisselle.
- Alignez le panneau inférieur par rapport au bas de la porte et assurez-vous qu'il repose sur le plancher.
- Insérez et serrez les 2 vis de fixation du coup-de-pied. Le panneau inférieur doit demeurer en contact avec le plancher.

REMARQUE : Évitez le serrage excessif des vis de la plinthe.

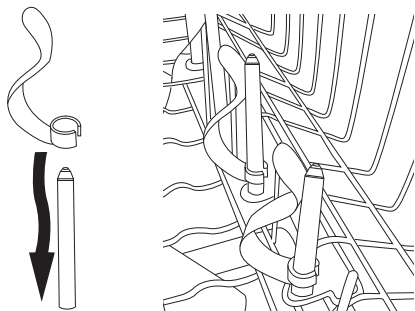


- Lorsque vous réinstallez le panneau inférieur, sur les modèles avec écran acoustique, assurez-vous que le bord inférieur est à niveau avec le sol. Tout excès de matériau doit être regroupé derrière la porte extérieure.

Conseil: Pour atténuer le bruit provenant du dessous du lave-vaisselle. Assurez-vous que le panneau inférieur repose sur le plancher.

ÉTAPE 21 INSTALLATION LES PINCES DU BOTTLE JETS (certains modèles)

- Repérez le pince de jets de bouteille fournis, sur certains modèles, soit dans le panier d'argenterie ou le sac de quincaillerie. Installez la pince sur la tige des jets de bouteille en glissant sa pince sur la buse et en la poussant vers sa base.



ÉTAPE 22 VÉRIFIEZ LES POINTS SUIVANTS

- La moulure de la cuve ne gêne pas la porte
- Le lave-vaisselle est d'équerre et de niveau par rapport au bas et au haut de l'ouverture de l'armoire, sans torsion ni déformation de la cuve ou de la porte
- Sur les modèles sans système de nivellement réglable, assurez-vous que tous les 4 pieds du lave-vaisselle sont fermement en contact avec le plancher.
- Sur les modèles avec système de nivellement réglable, assurez-vous que les deux pieds avant ainsi que le pied de nivellement du centre arrière sont fermement en contact avec le plancher.
- Le boyau de vidange n'est pas coincé entre le lave-vaisselle et les armoires ou les murs adjacents
- La moulure de cuve repose entièrement contre le bord de la cuve

ÉTAPE 23 DOCUMENTATION

- Laissez le Manuel d'utilisation, les directives d'installation, les échantillons et(ou) les bons au consommateur.

LAVAVAJILLAS

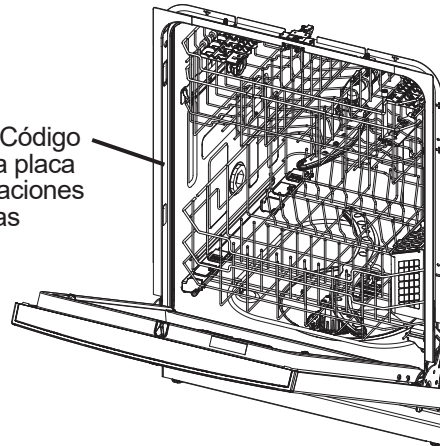
INSTRUCCIONES DE SEGURIDAD	2
USO DEL LAVAVAJILLAS	
Puesta en Marcha	4
CUIDADO Y LIMPIEZA	5
SOPORTE AL CLIENTE	6
GARANTÍA LIMITADA	8
LA GARANTÍA LAVAPLATOS MONOGRAM	9
INSTRUCCIONES DE INSTALACIÓN	10

GUÍA DEL PROPIETARIO E INSTRUCCIONES DE INSTALACIÓN

ESPAÑOL

Para acceder a la información más reciente, escanee el Código QR sobre la placa de especificaciones técnicas que se encuentra en la pared de la tina dentro de la puerta.

Escanee el Código QR sobre la placa de especificaciones técnicas



Este manual contiene las Instrucciones de Instalación. Siga estas instrucciones en su totalidad.

CONOZCA MÁS - En un esfuerzo por conservar los recursos de la Tierra, este electrodoméstico se brinda también con esta Guía del Propietario resumida. El Manual del Propietario completo para su modelo lo podrá encontrar a través de Internet escaneando el Código QR de su modelo, o a través del sitio Web que figura en la sección Soporte al cliente.

Escriba los números de modelo y de serie aquí:

Nº de Modelo _____

Nº de Serie _____

Los podrá encontrar en la pared de la tina dentro de la puerta.

**INFORMACIÓN IMPORTANTE DE SEGURIDAD - LEA TODAS LAS INSTRUCCIONES ANTES DE USAR -
GUARDE ESTAS INSTRUCCIONES**

⚠ ADVERTENCIA Para su seguridad, siga las instrucciones de este manual a fin de minimizar riesgos de incendio, explosión, descargas eléctricas, y para evitar daños en su propiedad, lesiones personales o la muerte.

⚠ ADVERTENCIA INSTALACIÓN Y MANTENIMIENTO ADECUADOS

Esta lavadora se deberá instalar y ubicar de acuerdo con las Instrucciones de Instalación antes de ser usada. Si no recibió una ficha de Instrucciones de Instalación con su lavavajillas, podrá acceder a una visitando nuestro sitio web en **GEAppliances.com**.

- Conecte el lavavajillas/ electrodoméstico a un sistema de cableado de metal permanente con conexión a tierra o se debe tender un conducto para la conexión a tierra del equipo con los conductores del circuito y conectado al terminal de tierra del equipo o al conductor de suministro del electrodoméstico.
- Una conexión inapropiada del conductor de conexión a tierra del equipo puede provocar riesgos de descargas eléctricas. Consulte a un electricista calificado o personal del servicio técnico si tiene dudas de que el electrodoméstico se encuentre conectado a tierra apropiadamente.
- Las instrucciones detalladas de conexión a tierra se pueden encontrar en la sección "PREPARACIÓN DEL CABLEADO ELÉCTRICO" de las Instrucciones de instalación.
- Tenga en cuenta las opciones de reciclaje del material de embalaje de su electrodoméstico.
- No intente reparar o reemplazar ninguna parte de la cocina, a menos que se lo recomiende específicamente en este manual. Cualquier otra reparación deberá ser realizada por un técnico calificado.
- Use sólo el kit de cables WX09X70910 (162cm) o WX09X70911 (236cm) o cables duros para la conexión eléctrica. Si no se siguen estas instrucciones, se pueden producir riesgos de incendio y lesiones personales.
- A fin de minimizar la posibilidad de descargas eléctricas, desconecte este electrodoméstico del suministro de corriente antes de intentar cualquier mantenimiento.
NOTA: Apagar el lavavajillas no desconecta el electrodoméstico del suministro de corriente. Le recomendamos que el servicio técnico de su electrodoméstico sea realizado por un técnico calificado.

⚠ ADVERTENCIA AL USAR SU LAVAVAJILLAS, SIGA LAS PRECAUCIONES BÁSICAS, INCLUYENDO LO SIGUIENTE:

- Use este electrodoméstico sólo para su propósito original, como se describe en el Manual del Propietario.
- Use sólo detergentes o agentes humectantes recomendados para use con un lavavajillas y mantenga los mismos fuera del alcance de los niños. El uso de un detergente que no esté diseñado específicamente para lavavajillas hará que este último se llene de agua con jabón.
- Ubique artículos puntiagudos de modo que no haya posibilidades de daños sobre el sellador de la puerta.
- Cargue los cuchillos puntiagudos con los mangos hacia arriba, a fin de reducir el riesgo de lesiones por cortes.
- No lave productos de plástico, a menos que contengan una marca de seguridad en lavavajillas o su equivalente. Cuando se trate de productos de plástico que no estén marcados de esta manera, consulte las recomendaciones del fabricante.
- No toque el elemento de calefacción durante o inmediatamente después del uso.
- No use su lavavajillas a menos que todos los paneles de cercamiento estén correctamente en sus lugares.
- No manipule indebidamente los controles.
- No abuse, no se siente, no se sostenga ni se pare sobre la puerta o la bandeja del plato del lavavajillas.
- A fin de reducir el riesgo de incendios, no permita que los niños jueguen con, sobre o dentro de este electrodoméstico en cualquier momento.
- No guarde ni use materiales combustibles, incluyendo gasolina u otros líquidos o vapores inflamables cerca de éste o de otros electrodomésticos.
- Las piezas pequeñas, tales como los sujetadores de estantes, pueden generar riesgos de asfixia en niños pequeños si son retirados del lavavajillas. Mantenga los mismos fuera del alcance de los niños pequeños.

⚠ ADVERTENCIA SEGURIDAD DEL CALENTADOR DE AGUA

Bajo ciertas condiciones, se podrá producir gas de hidrógeno en un calentador de agua que no fue usado por dos semanas o más. **EL GAS DE HIDRÓGENO ES UN EXPLOSIVO.**

Si el agua caliente no se usó durante dos semanas o más, evite la posibilidad de daño o lesión abriendo todos los grifos de agua caliente y permitiendo que el agua corra durante varios minutos. Haga esto antes de usar cualquier artefacto eléctrico que esté conectado al sistema de agua caliente. Este procedimiento simple permitirá el escape de cualquier gas de hidrógeno acumulado. Debido a que el gas es inflamable, no fume, no use una llama abierta ni use el electrodoméstico durante este proceso.

⚠ ADVERTENCIA RIESGO DE QUE UN NIÑO QUEDE ATRAPADO

FORMA ADECUADA DE DESCARTAR EL LAVAVAJILLAS

Los lavavajillas tirados o abandonados son peligrosos...incluso aunque se conserven por "sólo unos pocos días". Si se deshará de su lavavajilla, siga las siguientes instrucciones a fin de evitar accidentes.

- No permita que los niños jueguen con, en, o dentro de éste o cualquier electrodoméstico que haya descartado.
- Retire la puerta del compartimiento de lavado.

⚠ PRECAUCIÓN A FIN DE EVITAR LESIONES MENORES Y DAÑOS SOBRE LA PROPIEDAD

- Durante o después del ciclo de lavado, es posible que los contenidos estén calientes al tacto. Tenga cuidado antes de tomar los mismos.
- Se deberá estar especialmente atento si el electrodoméstico es usado por niños o se encuentra cerca de los mismos. No permita que los niños jueguen alrededor del lavavajillas cerrar la puerta, cerrar la bandeja superior, o mientras verticalmente ajustando la rejilla superior debido a la posibilidad de que sus dedos pequeños sean presionados.
- Productos que no sean utensilios: no lave artículos tales como filtros electrónicos de limpieza con aire, filtros de horno y brochas de pintura en su lavavajillas. Se podrán producir daños, descoloración o manchas sobre el lavavajillas.
- Cargue artículos de plástico livianos, de modo que no sean desplazados ni caigan al fondo del lavavajillas – es posible que entren en contacto con el calentador y sean dañados.

Forma adecuada de descartar su electrodoméstico

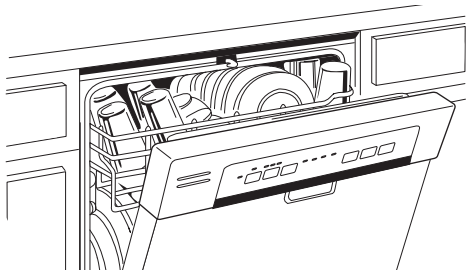
- Descarte o recicle su electrodoméstico de acuerdo con las Regulaciones Federales y Locales. Comuníquese con las autoridades locales para descartar o reciclar su electrodoméstico de forma ambientalmente segura.

**LEA Y SIGA ESTA INFORMACIÓN DE SEGURIDAD CUIDADOSAMENTE.
GUARDE ESTAS INSTRUCCIONES**

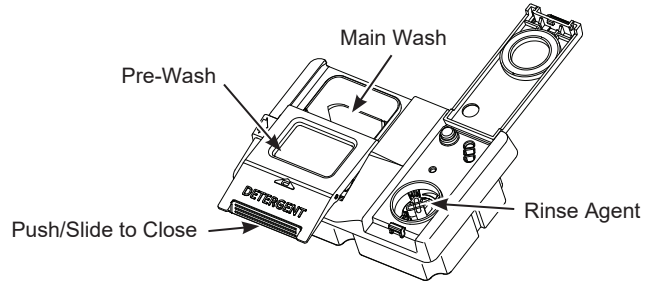
Puesta en Marcha

Las funciones y la apariencia variarán a través de este manual.

1 Raspe las sobras y cargue platos



2 Agregue detergente y agente de enjuague



3 Seleccione el Ciclo**

- Select Cycle**
- Heavy
 - Normal
 - Light
 - Rinse
 - 1 Hour Wash

4 Seleccione Opciones**

- | | | | |
|--------------------|------------------------------|------------------|------------------|
| 2 4 8 | Sani | Boost | Normal High |
| • • • | • | • | • • |
| Delay Hours | Steam | Wash Temp | Dry Boost |
| | • Controls Hold 3 Sec | | |

5 Inicie y cierre la puerta dentro de los 4 segundos

Start

Cancel
Hold 3 Sec

Ejemplos de Ciclos y Opciones - La luz junto a la tecla seleccionada se iluminará para indicar qué Ciclo y Opción fueron seleccionados.

Estos ciclos y opciones se usaron para medir la eficiencia energética de este lavavajillas y varían de acuerdo al modelo.

Normal/ Everyday (Diario)	Este ciclo es para uso diario, regular o típico a fin de lavar totalmente una carga completa de platos normalmente sucios y fue diseñado para ahorrar tanto agua como corriente. La función Normal/Everyday (Diario) se usó para medir el nivel de eficiencia de la corriente de este lavavajillas.
Heated Dry (Secado con Calor)	(algunos modelos) Esta opción podrá ser seleccionada presionando el botón Dry (Secar) una vez para iluminar la luz encendida. Esta configuración mejorará significativamente el rendimiento del lavado de la vajilla diaria, regular o típica. La opción de secado con calor normalmente le agregará 48 a 64 minutos al tiempo del ciclo. Esta opción no está disponible con el ciclo Rinse (Enjuague). NOTA: El uso del abrillantador puede mejorar aún más el rendimiento del secado del lavavajillas. En los modelos con esta característica, se seleccionó Heated Dry (Secado con Calor) para calificar la eficiencia energética de este lavavajillas.
Dry Boost (Aumento del Secado)	Normal (algunos modelos) - Activa la opción para un secado más rápido. Esta opción puede agregar hasta 64 minutos al tiempo del ciclo. Esta opción no está disponible con el ciclo de Rinse (Enjuague). En los modelos con esta opción, se usó Dry Boost Normal (Aumento del Secado Normal) para medir el nivel de eficiencia de la corriente de este lavavajillas.

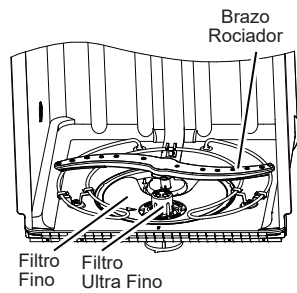
* Use detergentes de alta calidad tales como **Cascade® Platinum™ ActionPacs™** o **Finish® Quantum® Automatic Dishwashing Detergent** y agentes de enjuague de alta calidad tales como **Cascade® Platinum™ Power Dry™ Rinse Aid** o **Finish® Jet-Dry® Rinse Aid**.

** Varía de acuerdo al modelo

Cuidado y limpieza

Filtros

Inspeccione y limpie los filtros en forma periódica. Esto debería ser realizado cada dos meses o más, dependiendo del uso. Si hay una reducción en el rendimiento del lavado o los platos están arenosos, también hay una indicación de que es necesario lavar los filtros.

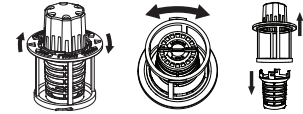


Ensamble de Filtro Ultra Fino

Para limpiar el ensamble de Filtro Ultra Fino, retire la rejilla inferior. Gire el ensamble de Filtro Ultra Fino en sentido antihorario y levántelo para retirarlo para limpiarlo. Enjuague el filtro con agua jabonosa tibia y use una esponja para eliminar con cuidado las partículas rebeldes.

Para las unidades con un el ensamble de Filtro Ultra Fino de 2 piezas con una canasta de filtro adicional para partículas de alimentos, gire la canasta de filtro en sentido antihorario para desbloquearla del ensamble de Filtro Ultra Fino. Vea la dirección de las flechas en la parte inferior de la canasta del filtro. Tire de la canasta del filtro para retirarla del conjunto, deseche las partículas de alimentos, enjuague con agua jabonosa tibia y use una esponja para eliminar las partículas rebeldes.

Una vez limpiada, vuelva a colocar la canasta del filtro en el ensamble de Filtro Ultra Fino y gírela en el sentido de las agujas del reloj para que encaje en su lugar.



Filtro Fino

Para limpiar el Filtro Fino (placa de malla) retire el estante inferior. Retire el Filtro Ultra Fino.

Retire el Filtro Fino. Enjuague el filtro con agua caliente y jabón. Los estropajos o cepillos pueden dañar la superficie del filtro, pero es posible que sea necesario usar un cepillo suave o esponja para retirar la suciedad difícil o los depósitos de calcio ocasionados por el agua dura. Una vez limpio, reemplace el Filtro Fino y el Filtro Ultra Fino.

Panel de puerta exterior

Antes de limpiar el panel frontal, asegúrese de saber qué tipo de panel posee. Consulte las últimas dos letras de su número de modelo. Puede ubicar su número de modelo en la pared de la tina del lado izquierdo, justo dentro de la puerta.

- Si su número de modelo termina en BB, CC, WW, SA, SH, ES, DS, TS, FS, W2 o D1 entonces el panel de su puerta está pintado.
- Si su número de modelo termina en SS, entonces el panel de su puerta es de acero inoxidable.
- Si su número de modelo termina en II, entonces el panel de su puerta es integrado.
- Si su número de modelo termina con S5, entonces tiene un panel con puerta de vidrio.

Siga las siguientes instrucciones para la limpieza del panel de la puerta correspondientes a su modelo específico.

Paneles de Puerta Pintados/ Revestidos (números de modelo con terminación en BB– negro, CC–galleta, WW–blanco, SA–plateado, SH-PRO acero, ES-pizarra, DS-pizarra negra, TS-acero inoxidable negro, FS-acero inoxidable resistente a marcas táctiles, W2–blanco mate or D1–negro mate)

⚠ NO use limpiadores para Acero Inoxidable sobre las superficies de las puertas.

Limpie con un paño suave, limpio y levemente húmedo, y luego seque completamente.

Panel de la Puerta de Acero Inoxidable (número de modelo con terminación en SS)

Para limpiar óxido y deslustres, los limpiadores con ácido oxálico tales como Bar Keepers Friend Soft Cleanser™ eliminarán el óxido, deslustres y pequeñas manchas. Use sólo un limpiador líquido libre de material abrasivo y frote en la dirección de las líneas del cepillo con una esponja suave y húmeda. No use cera para electrodomésticos ni pula sobre el acero inoxidable.

Para otras manchas y marcas, use Stainless Steel Magic o un producto similar, con una tela limpia y suave. Para limpiar su electrodoméstico, no use cera, limpia metales, blanqueadores ni productos que contengan cloro sobre el acero inoxidable. Puede ordenar Stainless Steel Magic N° **WX10X29** a través de GE Appliances Parts (Piezas de GE Appliances) llamando al 1.877.959.8688.

Panel de la Puerta Integrado (números de modelo con terminación en II)

Se trata de un panel de la puerta con instalación normal, y será necesario consultar las recomendaciones de los fabricantes de gabinetes para una limpieza adecuada.

Panel con puerta de vidrio (números de modelo que terminan en S5)

Utilice un limpiador para vidrio o jabón suave y agua y un paño suave para limpiar la puerta de vidrio.

No utilice polvos abrasivos.

Soporte al cliente

Marca	Contáctenos	Servicio Programad
Monogram	monogram.com/contact/ or 800.444.1845	GEAppliances.com/ge/service-and-support/service.htm or 800.444.1845
GE Appliances/Profile	GEAppliances.com/contact o 800.626.2000	GEAppliances.com/service or 800.432.2737
Café	cafeappliances.com/contact	cafeappliances.com/service
Hotpoint	Hotpoint.com or 800.626.2005	GEAppliances.com/service or 800.432.2737
Haier	haierappliances.com/support/contact-us	haierappliances.com/support/schedule-service

Garantía limitada del lavavajillas

Todo el servicio de garantía es provisto por nuestros Centros de Servicio de Fabricación, o un técnico autorizado de Servicio al Cliente (Customer Care®). Para programar el servicio, consulte la sección **Soporte al cliente**. Cuando llame para solicitar el servicio, tenga los números de serie y modelo disponibles.

Para realizar el servicio técnico de su electrodoméstico se podrá requerir el uso de datos del puerto de abordaje para su diagnóstico. Esto da al técnico del Servicio de Fábrica de GE Appliances la habilidad de diagnosticar de forma rápida cualquier problema con su electrodoméstico, y de ayudar a GE Appliances a mejorar sus productos al brindarle a GE Appliances la información sobre su electrodoméstico. Si no desea que los datos de su electrodoméstico sean enviados a GE Appliances, solicitamos que le indique a su técnico NO entregar los datos a GE Appliances en el momento del servicio.

Por el Período de:	Se sustituirá:
Un Año Desde la fecha de compra original	Cualquier pieza del lavavajillas que falle debido a un defecto de los materiales o la mano de obra. Durante esta garantía limitada de un año , también ofrecemos, en forma gratuita , toda la mano de obra y los costos de servicio para reemplazar la pieza defectuosa.

Lo que no está cubierto:

- Viajes del personal de servicio a su casa para enseñarle cómo usar su producto.
- Instalación, entrega o mantenimiento inapropiada.
- Fallas del producto si es maltratado, mal usado, o usado para un propósito diferente del que se creó o si es usado para usos comerciales.
- Cambio de los fusibles de su casa o reajuste del circuito de interruptores.
- Productos sin defectos o rotos, o los cuales se encuentran funcionando como se indica en el Manual del propietario.
- Daños al producto causados por accidentes, incendios, inundaciones o actos de la naturaleza.
- Daños imprevistos resultantes causados por posibles defectos con este electrodoméstico.
- Defectos o daños debido a la puesta en funcionamiento a temperaturas de congelación.
- Daño causado después de la entrega, incluido el daño causado por los objetos que cayeron en la puerta.
- Producto no accesible para facilitar el servicio requerido.
- Limpieza o servicio técnico del dispositivo de espacio de aire en la línea de drenaje.

EXCLUSIÓN DE GARANTÍAS IMPLÍCITAS

Su única y exclusiva alternativa es la reparación del producto, como se indica en la Garantía Limitada. Las garantías implícitas, incluyendo garantías implícitas de comerciabilidad o conveniencia sobre un propósito particular, se limitan a un año o al período más corto permitido por la ley.

Esta garantía limitada se extiende al comprador original y a cualquier propietario subsecuente para productos comprados para uso doméstico dentro Estados Unidos. Si el producto está situado en un área que no dispone de servicio por parte de un proveedor de servicio autorizado de GE Appliances, podría tener que hacerse cargo de los costes de envío o bien podría solicitársele que lleve el producto a un centro de servicio de GE Appliances autorizado para realizar la reparación. En Alaska, la garantía limitada excluye el costo de envío o las visitas de servicio a su casa.

Algunos estados no permiten la exclusión o limitación de daños imprevistos. Esta garantía limitada le da sus derechos legales específicos, y es posible que usted tenga otros derechos legales que varían de estado a estado. Para informarse de cuáles son sus derechos legales, consulte a su oficina de asuntos del consumidor local o estatal o póngase en contacto con la Oficina de su Procurador General.

Garante: GE Appliances, a Haier company
Louisville, KY 40225

Garantías Extendidas: Adquiera una garantía extendida de GE Appliances y conozca los descuentos especiales que están disponibles mientras su garantía aún está vigente. Puede acceder a la misma a través de Internet en cualquier momento en

geappliances.com/extended-warranty

o llamando al 800.626.2224 durante el horario comercial. Los Servicios para los GE Appliances aún estarán disponibles cuando su garantía caduque.

Abroche su recibo aquí. Para acceder al servicio técnico de acuerdo con la garantía deberá contar con la prueba de la fecha original de compra.

LA GARANTÍA LAVAPLATOS MONOGRAM

Abroche su recibo aquí. Para acceder al servicio técnico de acuerdo con la garantía deberá contar con la prueba de la fecha original de compra.

QUÉ CUBRIRÁ - Desde la fecha de compra original

Dos Años

Cualquier parte del lavavajillas que falle debido a un defecto en los materiales o la fabricación. Durante esta **garantía limitada de dos años**, Monogram también proveerá, **sin costo**, todo el trabajo y el servicio en el hogar relacionado con el reemplazo de la pieza que presente defectos.

Tres a Cinco Años

El estante del lavavajillas y/o el módulo de control electrónico, en caso de que fallen debido a un defecto en los materiales o la fabricación. Durante esta **garantía limitada de tres a cinco años**, usted será responsable por el costo de cualquier trabajo o reparación en el hogar.

Vida Útil

La tina de acero inoxidable o el revestimiento de la puerta, si deja de contener el agua debido a un defecto en los materiales o la fabricación. Durante esta **garantía de vida útil limitada**, Monogram también proveerá, **sin costo**, todo el trabajo y el servicio en el hogar relacionado con el reemplazo de la pieza que presente defectos.

Esta garantía se extiende al comprador original y a cualquier dueño subsiguiente de productos comprados para uso hogareño dentro de EE.UU. Si el producto está en un área donde no se encuentra disponible un Proveedor Autorizado del Servicio Técnico de Monogram, usted será responsable por el costo de un viaje o se podrá requerir que traiga el producto a una ubicación del Servicio Técnico de Monogram Autorizado para recibir el servicio. Para acceder al servicio técnico correspondiente a la garantía, se deberá contar con la prueba de la fecha original de compra. En Alaska, la garantía excluye el costo de envío o llamadas del servicio a su hogar.

Todos los servicios de la garantía serán provistos por nuestros Centros de servicios de fábrica o por nuestros proveedores de servicios Care® durante el horario normal de trabajo.

Si su aparato necesitara servicio durante el período de garantía o más adelante, llame Monogram Preferred al 800-444-1845. Cuando llame para solicitar el servicio, tenga los números de serie y modelo disponibles.

QUÉ NO CUBRIRÁ

- Viajes del técnico del servicio a su hogar para enseñarle sobre cómo usar el producto.
- Instalación, entrega o mantenimiento inadecuados.
- Reemplazo de fusibles de la casa o reinicio de disyuntores.
- Fallas del producto en caso de abuso, mal uso, o uso para propósitos diferentes al original o uso comercial.
- Daños ocasionados sobre el producto por accidente, incendio, inundaciones o catástrofes naturales.
- Daños incidentales o consecuentes causados por posibles defectos sobre este producto.
- Limpieza o servicio técnico del dispositivo de espacio de aire en la línea de drenaje.
- Daño ocasionado luego de la entrega, incluyendo daños sobre productos que sufrieron caídas al suelo.
- Producto no accesible para brindar el servicio requerido.
- Daños sobre el acabado, tales como superficie oxidada, deslustre o manchas pequeñas no informadas dentro de las 48 horas luego de la entrega.

EXCLUSIÓN DE GARANTÍAS IMPLÍCITAS—Su única y exclusiva alternativa es la reparación del producto, como se indica en la Garantía Limitada. Las garantías implícitas, incluyendo garantías implícitas de comerciabilidad o conveniencia sobre un propósito particular, se limitan a un año o al período más corto permitido por la ley.

Algunos estados no permiten la exclusión o limitación de daños fortuitos o consecuentes. Esta garantía le da derechos legales específicos y es posible que tenga otros derechos legales que varían entre un estado y otro. Para conocer cuáles son sus derechos legales, consulte a la oficina de asuntos del consumidor local o estatal o al Fiscal de su estado.

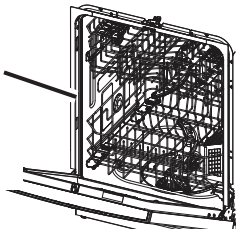
Garante: GE Appliances, a Haier company, Louisville, KY 40225



Instrucciones de instalación

Para acceder a la información más reciente, escanee el Código QR sobre la placa de especificaciones técnicas que se encuentra en la pared de la tina dentro de la puerta.

Escanee el Código QR sobre la placa de especificaciones técnicas



ANTES DE COMENZAR

Lea estas instrucciones en su totalidad y atentamente.

⚠ ADVERTENCIA

- Para reducir el riesgo de descarga eléctrica, incendio o lesiones a personas, el instalador debe asegurarse de que el lavaplatos esté completamente cerrado en el momento de la instalación.
- **PARA SEGURIDAD PERSONAL:** Quite el fusible o abra el interruptor de circuitos antes de comenzar la instalación. No utilice un cable de extensión o un enchufe adaptador con este artefacto.
- La conexión inadecuada del conductor de conexión a tierra del equipamiento puede provocar un riesgo de descarga eléctrica. Consulte a un electricista calificado o representante de servicio técnico si tiene dudas sobre la correcta conexión a tierra del aparato.
- Si el cableado doméstico no cuenta con un cable de 2 hilos con conexión a tierra, un instalador debe realizar una conexión a tierra. Cuando el cableado doméstico es de aluminio, asegúrese de usar un compuesto antioxidante y conectores de aluminio a cobre aprobados por UL.
- Para reducir el riesgo de descarga eléctrica, incendio o lesiones a personas, el instalador deberá realizar un control para asegurar que los cables no estén pellizcados ni dañados, que el cableado del hogar esté conectado a la ficha de la caja de empalmes a través de un amortiguador de refuerzo, y que todas las conexiones eléctricas realizadas en el momento de la instalación (tuercas para cables) estén dentro de la tapa de la caja de empalmes.

⚠ PRECAUCIÓN

No quite la base de madera hasta que esté listo para instalar el lavaplatos. Si se quita la base, el lavaplatos se volcará cuando se abra la puerta.

Al realizar las instalaciones descritas en este manual, se deberán usar guantes, anteojos o gafas de seguridad.

Lavavajillas Incorporado

ACCESORIO DEL PANEL FRONTAL

Los modelos con panel frontal a medida incluyen un kit que contiene una plantilla, hardware e instrucciones de instalación del panel. Consulte las instrucciones del kit al instalar el panel a medida.

Si se necesitan un kit de hardware para el montaje del panel a medida y una plantilla, antes de la entrega del lavavajillas, solicite: **WD35X25996**.

PARA SU SEGURIDAD

Lea y cumpla con todas las **ADVERTENCIAS** y **PRECAUCIONES** que figuran en estas instrucciones.

IMPORTANTE – Cumpla con todos los códigos y ordenanzas gubernamentales.

- **Nota para el Instalador** – Asegúrese de entregar estas instrucciones al consumidor y al inspector local.
- **Nota para el Consumidor** – Guarde estas instrucciones con su Manual del Propietario para referencia futura.
- **Nivel de habilidad** – La instalación de este lavavajillas requiere un nivel básico de habilidades mecánicas, eléctricas y de plomería. **La correcta instalación del producto es responsabilidad del instalador. Si se producen fallas en el producto debido a una instalación inadecuada, la Garantía del Producto de GE Appliances no cubrirá las mismas. Consulte la información de la Garantía.**
- **Tiempo de instalación – 1 y 3 horas.** Las instalaciones nuevas requieren más tiempo que las instalaciones de reemplazo.

IMPORTANTE – El lavavajillas DEBE ser instalado para permitir el retiro futuro de su ubicación, si se requiere realizar el servicio técnico.

Se deberá tener cuidado cuando el electrodoméstico sea instalado o retirado, a fin de reducir la posibilidad de daños sobre el cable de suministro eléctrico.

Si el lavavajillas que recibió está dañado, se debería comunicar de inmediato con su vendedor o fabricante.

Accesorios Opcionales – Para consultar sobre disponibilidad de kits de paneles personalizados, consulte el Manual del Propietario.

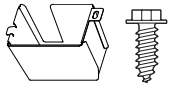
Su lavavajillas es un electrodoméstico donde se calienta agua.

NOTA: Tenga en cuenta las opciones de reciclaje del material de embalaje de su electrodoméstico.

**LEA DETENIDAMENTE
CONSERVE ESTAS INSTRUCCIONES**

Preparación de la Instalación

PIEZAS SUMINISTRADAS EN EL PAQUETE DE INSTALACIÓN:



Tapa de la caja de empalmes y 3/8" Tornillo de cabeza hexagonal n° 10



Manguera de desagüe (aprox. 58" de longitud) (en algunos modelos)



Abrazadera de la manguera



Sostenedor de la manguera de desagüe

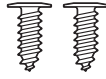


Piezas de adorno de tina (en algunos modelos)



Soportes de montaje (para mesadas de madera o gabinetes laterales)

Tornillos de cabeza especial Phillips n° 8-18 x 5/8", (para asegurar el lavavajillas a la parte inferior de la mesada o a los gabinetes laterales)



Mango y llave Allen de 1/8" (en algunos modelos)



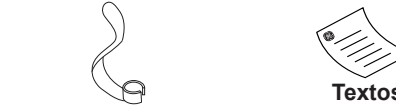
Insulation Pieces (en algunos modelos)



Placa inferior de acceso (en algunos modelos y preinstalada en algunos modelos)



Botones del enchufe

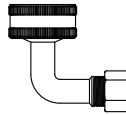


Sujetadores de los Jets de Botella (en algunos modelos)

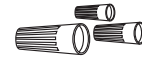


Textos

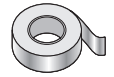
MATERIALES NECESARIAS:



Codo de 90° (rosca interna de la manguera de 3/4" en un extremo, y el extremo opuesto coincide con el suministro de agua) to fit water supply)



Tuercas de cables (3) de la lista de UL



Cinta adhesiva (si es aplicable)

MATERIALES NECESARIOS SÓLO PARA INSTALACIONES NUEVAS:



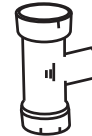
Línea de Agua Caliente- mínimo de 3/8", tubería de cobre (incluyendo abrazadera de refuerzo, tuerca de compresión) o Pieza de GE Appliances n° WX28X326, manguera trenzada flexible



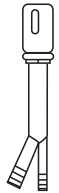
Válvula de cierre manual (recomendado)



Opcional - Manguera de desagüe (12") - WD24X10065 Manguera de desagüe (4") - WD24X10062



T de desechos para plomería hogareña, si corresponde



Brecha de aire para la manguera de desagüe, si se requiere



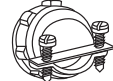
Sujetador para manguera de drenaje opcional



Abrazadera de la manguera (si es necesario para la manguera de drenaje opcional)

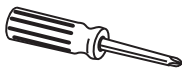


Cable eléctrico o Kit del cable de corriente WX09X70910 (5,4 pies) o WX09X70911 (7,9 pies) dependiendo de su instalación

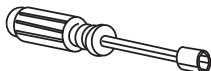


Amortiguador de refuerzo para la conexión eléctrica

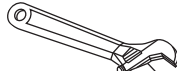
HERRAMIENTAS NECESARIAS:



Destornillador Phillips



Llave de tuercas de 1/4"



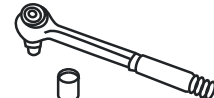
Llave ajustable de 6"



Nivel



Balde para contener el agua al desagotar la línea



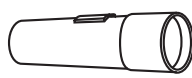
Tomacorriente de 15/16" (opcional para el retiro de la base)



Cinta de medición



Gafas de seguridad



Linterna



Guantes



Pinzas



Escuadra de carpintero

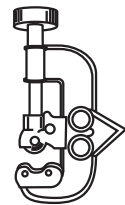
HERRAMIENTAS NECESARIAS SÓLO PARA INSTALACIONES NUEVAS:



Taladro y brocas apropiadas



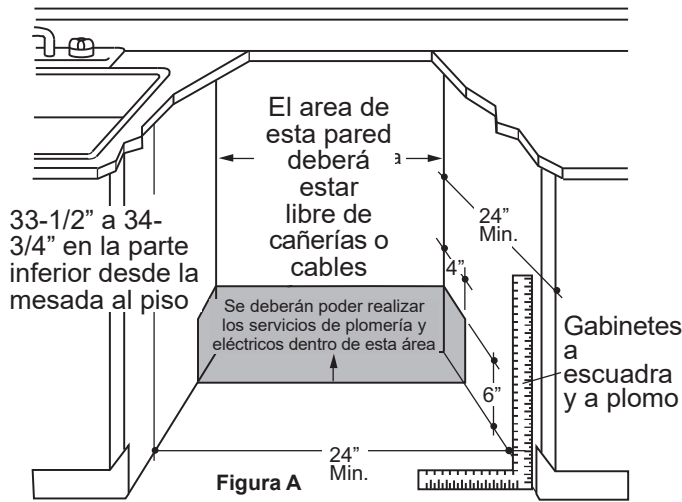
Equipo de caladora



Cortador de tubos

Preparación de la Instalación

PREPARE EL AMURADO DEL LAVAVAJILLAS



- La abertura rústica del gabinete deberá tener por lo menos 24" de profundidad, 24" de ancho y aproximadamente 34 1/2" de alto desde el piso hasta el lateral de la mesada.
- El lavavajillas se deberá instalar de forma tal que la manguera de desagüe no tenga más de 16' de longitud para un desagüe adecuado.
- El lavavajillas deberá estar completamente amurado a la parte superior, costados y parte trasera, y no deberá tener apoyada ninguna parte del amurado.

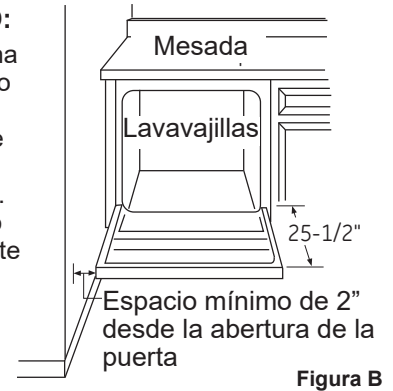
⚠ ADVERTENCIA

Para reducir el riesgo de descarga eléctrica, incendio o lesiones a personas, el instalador debe asegurarse de que el lavavajillas esté completamente cerrado en el momento de la instalación.

DIMENSIÓN DE LA MANIGUETA DEL LAVAVAJILLAS:
La puerta del lavavajillas debe estar al ras con el gabinete. Para los modelos con manigueta, la profundidad total (con manigueta) es de 26-1/4 " como máximo dependiendo del modelo. Busque el documento de especificaciones rápidas en internet para obtener más dimensiones del lavavajillas.

ESPACIO NECESARIO:

- Cuando se instale en una esquina, deje un espacio mínimo de 2" entre el lavavajillas y el gabinete adyacente, la pared y otros electrodomésticos. Deje un espacio mínimo de 25-1/2" desde el frente del lavavajillas hasta la abertura de la puerta.



REQUISITOS PARA EL DESAGÜE

- Cumpla con los códigos y ordenanzas locales.
- No supere una distancia de 16' hasta el desagüe.

NOTA: Se deberá usar una brecha de aire si la T de desechos o la conexión del eliminador de desechos está a menos de 18" sobre el piso para evitar el sifonaje.

DETERMINE EL MÉTODO DE DESAGÜE

El tipo de instalación del desagüe depende de las siguientes cuestiones.

- ¿Requieren los códigos u ordenanzas locales una brecha de aire?
- ¿Está la T de desechos a menos de 18" sobre el piso?

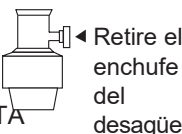
Si la respuesta a cualquiera de estas preguntas es SÍ, se DEBERÁ usar el Método 1.

- Si las respuestas son NO, se podrá usar cualquier método.

PREPARACIÓN DEL GABINETE

- Perfore un agujero de 1 1/2" de diámetro en la pared del gabinete, dentro de las áreas sombreadas que se muestran en la Figura A, para la conexión de la manguera de desagüe. El agujero deberá ser realizado de forma pareja, sin extremos filosos.

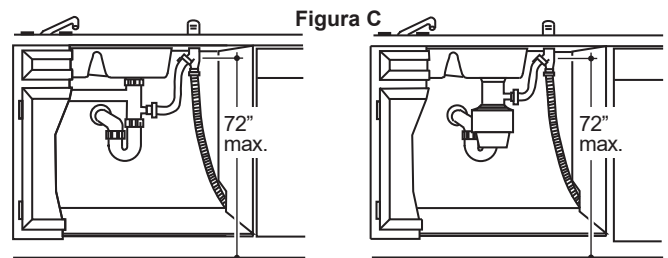
IMPORTANTE – Al conectar la línea de desagüe al eliminador de residuos, asegúrese de que el enchufe del desagüe haya sido retirado. **EL LAVAVAJILLAS NO HARÁ EL DESAGOTE SI EL ENCHUFE ESTÁ COLOCADO.**



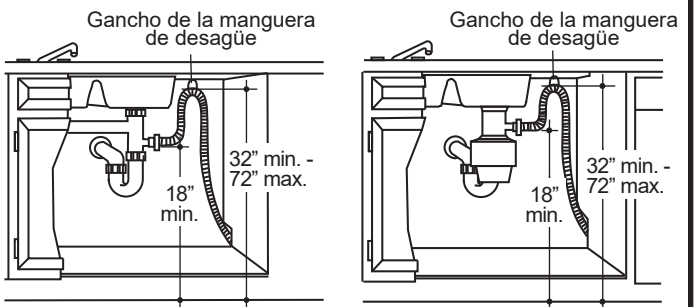
◀ Retire el enchufe del desagüe

Método 1 – Brecha de aire con T de desechos o eliminador de desechos

Se deberá usar una brecha de aire cuando los códigos y ordenanzas locales lo requieran. La brecha de aire deberá ser instalada de acuerdo con las instrucciones del fabricante.



Método 2 – "Bucle de Desagote Alto" con T de desechos o eliminador de desechos



Consejo: Evite costos innecesarios de llamadas al servicio técnico.

Siempre asegúrese de que el enchufe del desagüe de desechos haya sido retirado antes de adherir la manguera de desagüe del lavavajillas al eliminador de desechos.

Preparación de la Instalación

PREPARACIÓN DEL CABLEADO ELÉCTRICO

⚠ ADVERTENCIA

PARA SEGURIDAD PERSONAL: Quite el fusible o abra el interruptor de circuitos antes de comenzar la instalación. No utilice un cable de extensión o un enchufe adaptador con este artefacto.

REQUISITOS ELÉCTRICOS

Asegúrese de que la conexión eléctrica y el tamaño del cable sean los adecuados y que cumplan con el Código Nacional de Electricidad, ANSI/NFPA 70 – última edición, y con todos los códigos y ordenanzas locales.

Este electrodoméstico deberá contar con:

- 120V, 60Hz, CA - únicamente, 15 amperes o 20 amperes, suministro eléctrico con fusible.
- El cableado deberá constar de 2 cables con tierra y resistente a 75°F (167°F).
- Si el suministro eléctrico provisto no cumple con los requisitos anteriores, llame a un electricista matriculado antes de proceder.

Se recomienda contar con:

- Un disyuntor y un fusible de retardo.
- Un circuito de empalmes individual correctamente conectado a tierra.

Instrucciones de Conexión a Tierra – Conexión Permanente

Este electrodoméstico debe estar conectado a un sistema de cableado de metal permanente con conexión a tierra, o se deberá tender un conducto para la conexión a tierra del equipo con los conductores del circuito y conectado al terminal de tierra del equipo o al conductor de suministro del electrodoméstico.

Instrucciones de Conexión a Tierra – Modelos con Cables de Corriente

Este electrodoméstico deberá estar conectado a tierra. En caso de mal funcionamiento o avería, la conexión a tierra reducirá el riesgo de descargas eléctricas al brindar un camino con una resistencia menor para la corriente eléctrica. Este electrodoméstico está equipado con un cable con un conductor para la conexión a tierra del equipo y un enchufe con conexión a tierra. El enchufe deberá estar conectado a un tomacorriente instalado en forma adecuada y con conexión a tierra de acuerdo con todos los códigos y ordenanzas locales.

⚠ ADVERTENCIA

La conexión inadecuada del conductor de conexión a tierra del equipamiento puede provocar un riesgo de descarga eléctrica. Consulte a un electricista calificado o representante de servicio técnico si tiene dudas sobre la correcta conexión a tierra del aparato.

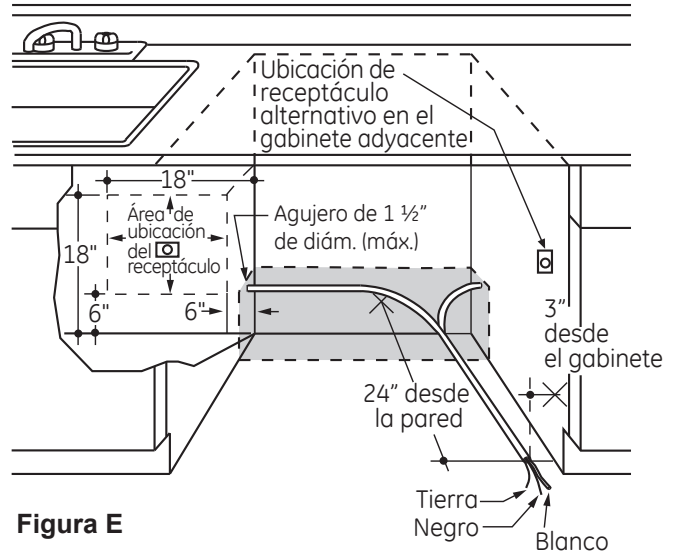


Figura E

⚠ ADVERTENCIA

Con los modelos equipados con cable de corriente: No modifique el enchufe provisto con el electrodoméstico; si no coincide con el tomacorriente, solicite la instalación de un tomacorriente apropiado a un electricista calificado.

Preparación del Gabinete y Enrutador del Cable

- El cableado podrá ingresar por la abertura de cualquiera de los lados, desde la parte trasera o desde el piso dentro del área sombreada que aparece ilustrada más arriba en la Figura E y definida en la Figura A.
- Corte un agujero de un máximo de 1 1/2" de diámetro para admitir el cable eléctrico. Los extremos del agujero deberían estar parejos y redondeados. De ser conveniente, las conexiones del cableado permanente podrán pasar a través del mismo agujero que la manguera de desagüe y la línea de agua caliente. Si la pared del gabinete es metálica, el extremo del agujero deberá estar cubierto con un aislante. NOTA: Los cables de corriente con enchufe deberán pasar a través de un agujero separado.

NOTA: Los cables de alimentación con enchufe tienen que pasar a través de un agujero separado en el gabinete.

Conexión Eléctrica al Lavavajillas

La conexión eléctrica se encuentra sobre el frente derecho del lavavajillas.

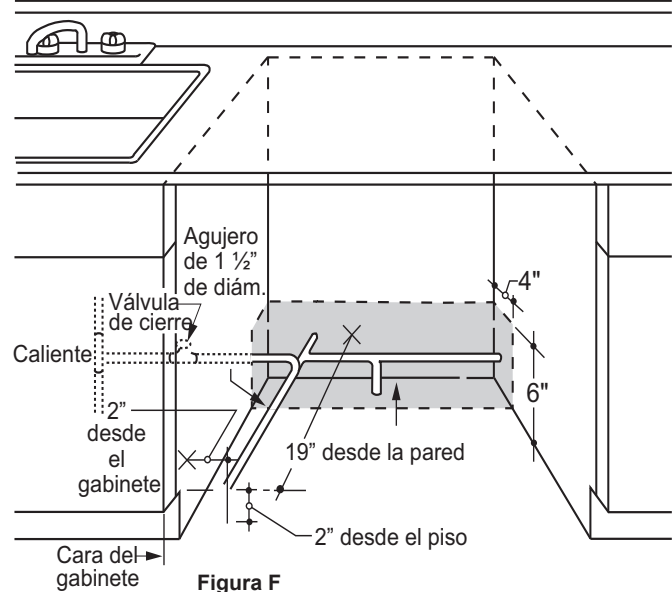
- Para realizar conexiones permanentes, el cable deberá hacer un recorrido como se muestra en la Figura E. El cable se deberá extender un mínimo de 24" desde la pared trasera.
- Para realizar conexiones de cables de corriente, instale un receptáculo con conexión a tierra de 3 clavijas en la pared trasera del gabinete del lavabo, a un mínimo de 6" o a un máximo de 18" desde la abertura, y de 6" a 18" sobre el piso.
- Use sólo el Kit del Cable de Corriente del Lavavajillas **WX09X70910** o **WX09X70911**.

Preparación de la Instalación

PREPARACIÓN DE LA LÍNEA DE AGUA CALIENTE

NOTA: GE Appliances recomienda el uso de tuberías de cobre para la línea de agua, pero si decide usar una manguera flexible, use la manguera trenzada flexible **WX28X326** de GE Appliances.

- La línea de suministro de agua (la tubería de cobre de 3/8" o la manguera trenzada flexible) podrá ingresar desde cualquiera de los laterales, desde la parte trasera o desde el piso dentro del área sombreada que se muestra en la Figura F.
- La línea de suministro de agua podrá pasar a través del mismo agujero que el cable eléctrico y la manguera de desagüe. O, corte un agujero de un diámetro adicional de 1 1/2" para ubicar la línea de agua. Si se utiliza el cable de corriente con enchufe, la línea de agua no deberá pasar a través del agujero del cable de corriente.



CONEXIÓN DE LA LÍNEA DE AGUA

- Si usará una manguera de suministro trenzada flexible, etiquete la manguera con la fecha de instalación para usar como referencia. Las mangueras trenzadas flexibles, codo y juntas deberán ser reemplazadas cada 5 años.
- Cierre el suministro de agua.
- Instale una válvula de cierre manual en una ubicación accesible, tal como debajo del lavabo. (Opcional, pero altamente recomendado y podrá ser requerido por los códigos locales)
- La conexión del agua se encuentra del lado izquierdo del lavavajillas. Instale la línea de entrada de agua caliente, usando una tubería de cobre o una manguera trenzada flexible de no menos de 3/8". Enrute la línea como se muestra en la Figura F y extienda la misma hacia adelante por lo menos 19" desde la pared trasera.
- Ajuste el calentador de agua a una temperatura de entre 120°F y 140°F.
- Despeje la línea de agua para retirar escombros.
- La presión de la línea de suministro de agua caliente deberá ser de entre 20 y 120 PSI.

⚠ PRECAUCIÓN

No quite la base de madera hasta que esté listo para instalar el lavaplatos. Si se quita la base, el lavaplatos se volcará cuando se abra la puerta.

Dé vuelta la página para iniciar la instalación del lavavajillas

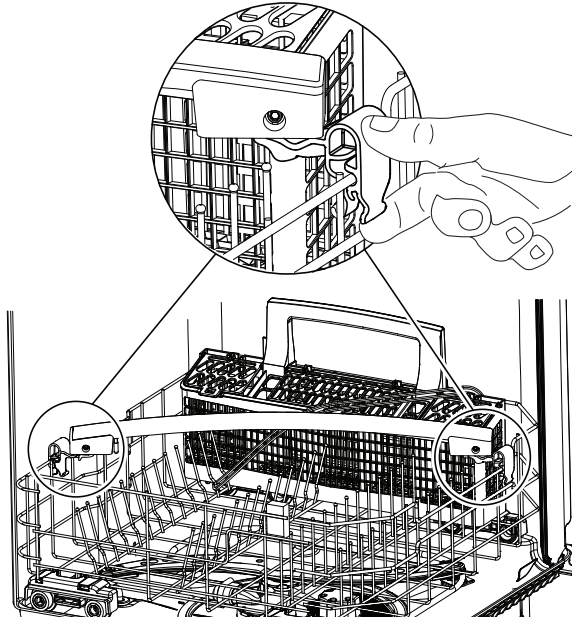
UBIQUE LOS ÍTEMS EN EL PAQUETE DE INSTALACIÓN:

- Tornillos
- Tapa de la caja de empalmes
- Manguera de desagüe y clavija
- Soportes de montaje
- Pieza de los bordes (en algunos modelos)
- Gancho de la manguera de desagüe
- Manual del propietario
- Textos, muestras y/o cupones

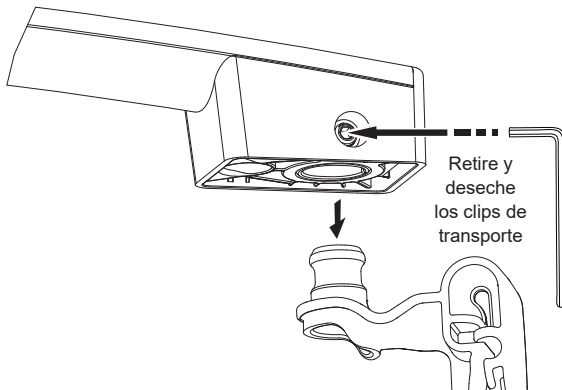
Instalación del Lavavajillas

PASO 1 INSTALACIÓN DEL MANGO (en algunos modelos)

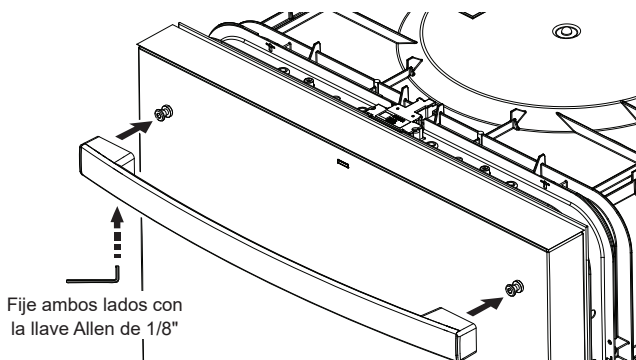
- Retire el mango empacado de la rejilla inferior tirando de los clips de transporte hacia fuera y hacia arriba.



- Con la llave Allen de 1/8", afloje los tornillos de fijación para retirar los clips de transporte y deséchelos.



- Coloque el mango en los sujetadores de montaje de la puerta del lavavajillas, con los tornillos de fijación en la parte inferior, y luego apriete los tornillos de fijación con la llave Allen.



Fije ambos lados con la llave Allen de 1/8"

PASO 2 CONTROL DEL EQUILIBRIO DE LA PUERTA

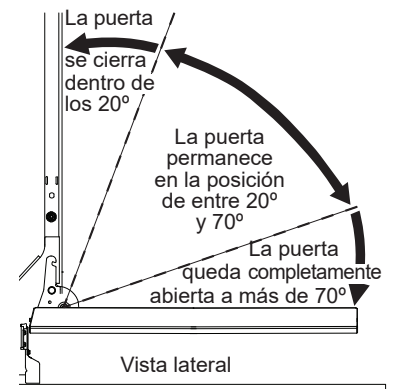
⚠ PRECAUCIÓN



Abrir la puerta hará que el lavavajillas se incline hacia adelante cuando no se encuentre completamente instalado. Al abrir la puerta antes de haber instalado completamente el lavavajillas, sostenga la parte superior del lavavajillas de forma segura con una mano y sostenga la puerta con la otra mano. Se deberán usar guantes.

NOTA: Si instalará un Panel Personalizado de la Puerta (disponible en algunos modelos), siga las instrucciones que se encuentran en el kit del Panel Personalizado de la Puerta **WD35X25996**.

- Con el lavavajillas en la base de madera y sujetando firmemente la parte superior del lavavajillas, controle el equilibrio de la puerta abriendo y cerrando la misma.



- La puerta está correctamente equilibrada si, una vez abierta, se cierra sola dentro de los 20° desde el ángulo vertical, permanece en su posición desde un ángulo de entre 20° y 70° y se abre totalmente a más de 70°.
- De ser necesario incremente o reduzca la tensión, como se muestra. Algunos modelos cuentan con 2 resortes sobre un lado y 1 resorte del otro lado. Trabe la puerta y ajuste los resortes hasta lograr el equilibrio correcto.

NOTA: Los modelos con rieles de base tubulares no son ajustables.

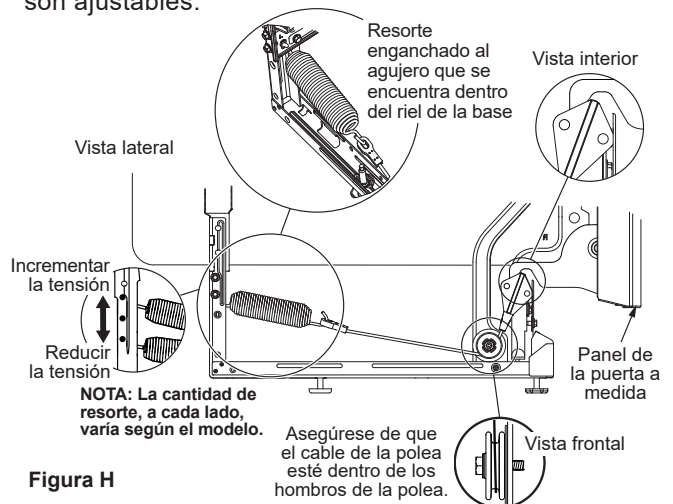


Figura H

Consejo: Asegúrese de que la puerta se abra y se cierre de forma pareja. Controle la apertura y cierre de la puerta. Si la puerta no se abre fácilmente o se cierra demasiado rápido, controle el recorrido del cable del resorte. El cable está sostenido por los "hombros" de la polea. Asegúrese de que el cable no se haya resbalado de los hombros de la polea y que esté colocado como se muestra.

Instalación del Lavavajillas

PASO 3 RETIRE LA BASE DE MADERA, INSTALE LAS PATAS NIVELADORAS

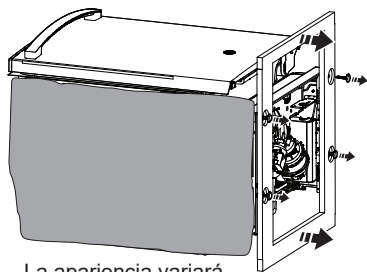
NOTA: Algunos modelos tienen una base de madera acoplada.

⚠ PRECAUCIÓN

No quite la base de madera hasta que esté listo para instalar el lavaplatos. Si se quita la base, el lavaplatos se volcará cuando se abra la puerta.

IMPORTANTE – ¡No patee la base de madera! Se producirán daños.

- Mueva el lavavajillas cerca de la ubicación de la instalación y haga que se apoye sobre su parte trasera. **NOTA:** No coloque el lavavajillas en su lado.
- Para los modelos con una base de madera acoplada, retire las 4 patas niveladoras de la parte inferior de la base de madera con una llave de cubo de 15/16".
- Descarte la base.

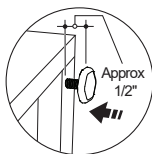


Retire las cuatro patas niveladoras y la base de madera

La apariencia variará

- En los modelos sin el sistema de nivelación ajustable desde la parte inferior central:

Vuelva a atornillar las patas niveladoras a la estructura del lavavajillas, a aproximadamente 1/2" desde la estructura, como se muestra.



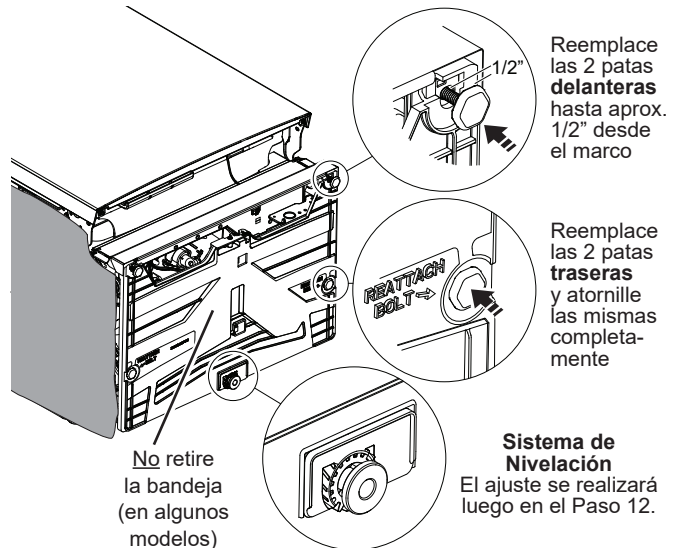
Reemplace las 4 patas hasta aproximadamente 1/2" desde el marco

- En los modelos con el sistema de nivelación ajustable desde la parte inferior central:

Vuelva a atornillar las patas niveladoras **frontales** en la estructura del lavavajillas aproximadamente 1/2".

PASO 3 RETIRE LA BASE DE MADERA, INSTALE LAS PATAS NIVELADORAS (CONTINUADO)

- Atornille las patas niveladoras en su totalidad hasta que queden completamente posicionadas.



Reemplace las 2 patas delanteras hasta aprox. 1/2" desde el marco

Reemplace las 2 patas traseras y atornille las mismas completamente

No retire la bandeja (en algunos modelos)

Sistema de Nivelación
El ajuste se realizará luego en el Paso 12.

- No se deberá retirar la bandeja (en algunos modelos) durante la instalación.

PASO 4 INSTALE UN CODO DE 90°

- Enrosque un codo de 90° en la válvula de agua. Asegúrese de que la junta de goma esté ubicada entre la válvula y el codo.

- No ajuste el codo en exceso. El soporte de la válvula de agua se podría inclinar o el accesorio de la válvula de agua se podría romper.

- Posicione el extremo del codo de modo que mire hacia la parte trasera del lavavajillas.

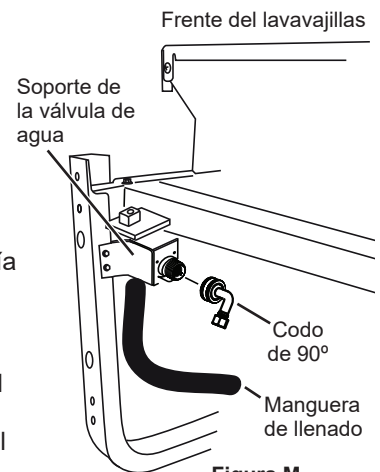


Figura M

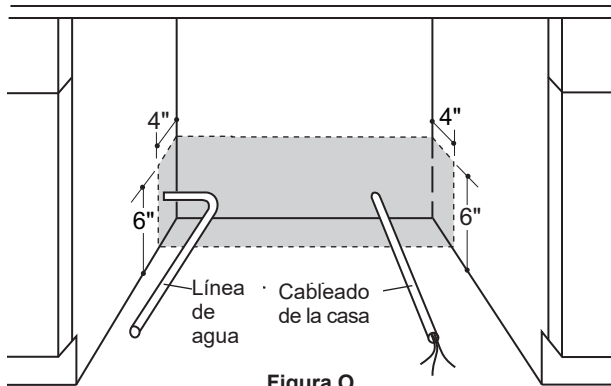
PASO 5 INSTALACIÓN DEL PAQUETE DE AISLAMIENTO (en algunos modelos)

Si su modelo viene con un kit de aislamiento, siga las instrucciones suministradas con el kit e instélole ahora.

Instalación del Lavavajillas

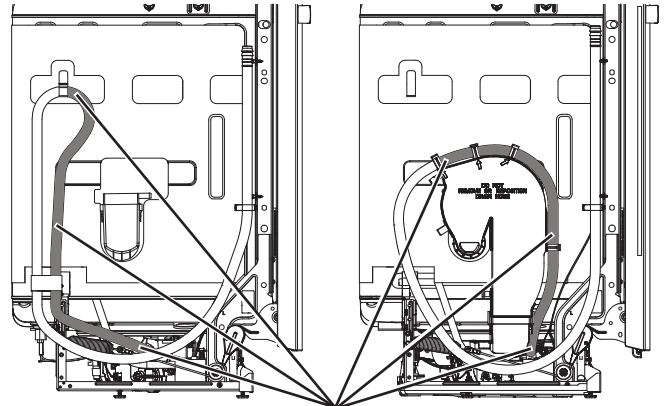
PASO 6 POSICIONE LA LÍNEA DE AGUA Y EL CABLEADO DE LA CASA

- Posicione la línea de suministro de agua y el cableado de la casa sobrel piso de la abertura, a fin de evitar interferencias con la base del lavavajillas y los componentes debajo del mismo.

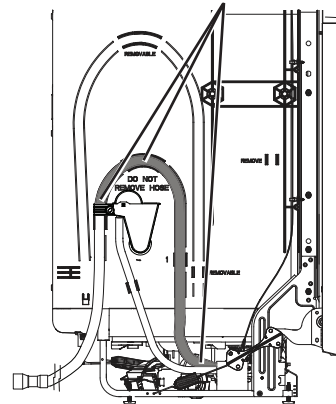


PASO 7 INSTALE LA MANGUERA DE DESAGÜE A TRAVÉS DEL GABINETE

- Identifique de las ilustraciones a continuación la que más se parezca a su modelo y separe sólo la sección de la manguera de drenaje que se muestra en **blanco**.



NO separe la sección de la manguera de drenaje que se muestra en gris



Instalación del Lavavajillas

PASO 7 INSTALE LA MANGUERA DE DESAGÜE A TRAVÉS DEL GABINETE (CONT.)

- Posicione el lavavajillas frente a la abertura del gabinete, y de estar presente, retire la manguera de desagüe de su respectiva clavija. Inserte la manguera de desagüe en el agujero lateral del gabinete. Si se usa un cable de corriente, guíe el extremo a través de un abertura del gabinete separado.

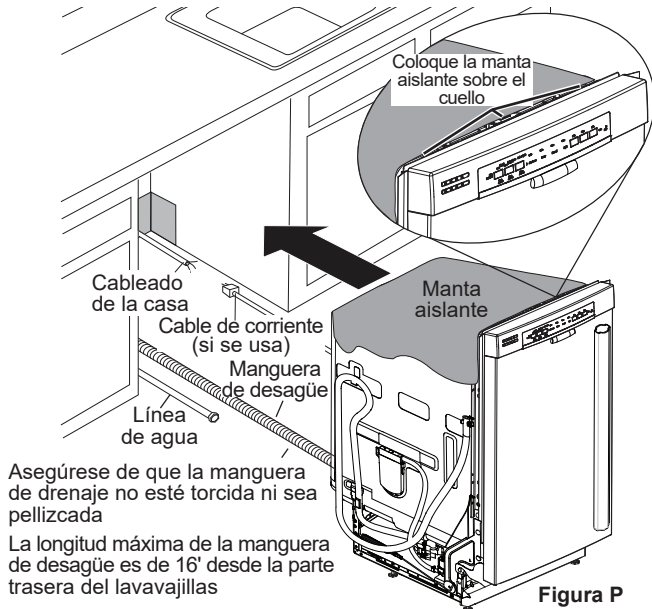


Figura P

La apariencia variará

Consejo: Evite llamadas innecesarias al servicio técnico con relación al llenado, desagüe o ruidos.

Posicione las tuberías de los servicios de modo que no interfieran con nada debajo o detrás del lavavajillas.

PASO 8 DESLICE EL LAVAVAJILLAS TRES CUARTOS DEL RECORRIDO DENTRO DEL GABINETE

IMPORTANTE – No lo empuje contra el panel frontal con las rodillas. Se producirán daños.

- Tome los laterales del panel frontal y deslice el lavavajillas en la abertura de a pocas pulgadas por vez.

No lo empuje contra el panel de la puerta frontal con la rodilla. Se producirán daños sobre el panel de la puerta.



Figura Q

Sujete los lados del panel frontal y deslícelo con cuidado 3/4 del camino dentro de la abertura del gabinete.

PASO 8 DESLICE EL LAVAVAJILLAS TRES CUARTOS DEL RECORRIDO DENTRO DEL GABINETE (CONT.)

- Al proceder, empuje la manguera de desagüe a través de la abertura debajo del lavabo. Deje de empujar cuando el lavavajillas se extienda unas 6 pulgadas hacia adelante de los gabinetes adyacentes.
- Asegúrese de que la manguera de desagüe no esté retorcida debajo o detrás del lavavajillas.
- Asegúrese de que el cableado de la casa, la línea de desagüe y la línea de agua no interfieran con los componentes que se encuentran debajo del lavavajillas.

PASO 9 INSTALE LAS PIEZAS DE LOS BORDES

En este paso necesitará las piezas de la moldura que se reservaron anteriormente.

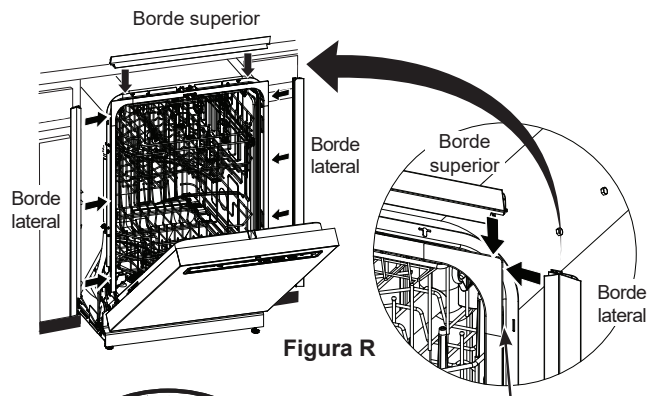
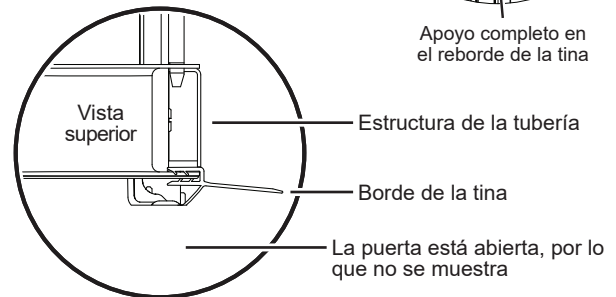


Figura R



- Seleccione la pieza del borde superior (Vea la Figura R) y alinee el centro con la traba superior. Presione la pieza del borde sobre la pestaña de la tubería, moviendo la misma de un lado a otro.
- Seleccione la pieza del borde izquierdo (vea la Figura R). Alinee el extremo superior con el borde superior y presione el mismo sobre el lateral izquierdo de la pestaña de la tubería, realizando el movimiento desde la parte superior a la parte inferior. Repita con la pieza del borde de la pestaña de la tubería lateral derecha. (Consulte la pieza del borde del lateral derecho en la Figura R.)

Instalación del Lavavajillas

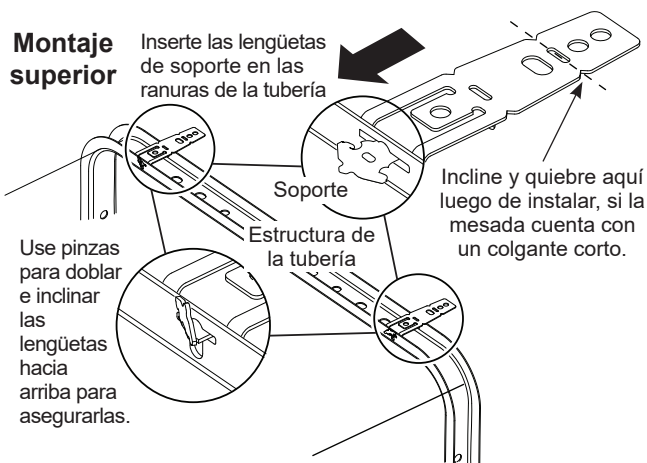
PASO 10 INSTALE LOS SOPORTES DE MONTAJE

Necesitará los soportes de montaje que se reservaron anteriormente.

Deberá instalar los soportes de montaje en la parte superior o lateral de la estructura de la tubería del lavavajillas, antes de deslizar el lavavajillas en su ubicación debajo de la mesada.

Instale los soportes de montaje en la parte superior si el lado inferior de la mesada es de madera o de un material similar que acepte la colocación de tornillos:

Install the brackets by inserting the tabs through the slots on the tub frame as shown. **NOTA:** Es posible que se deban pasar las lengüetas a través de ranuras.



Use pinzas para doblar e inclinar las lengüetas hacia arriba para asegurarlas.

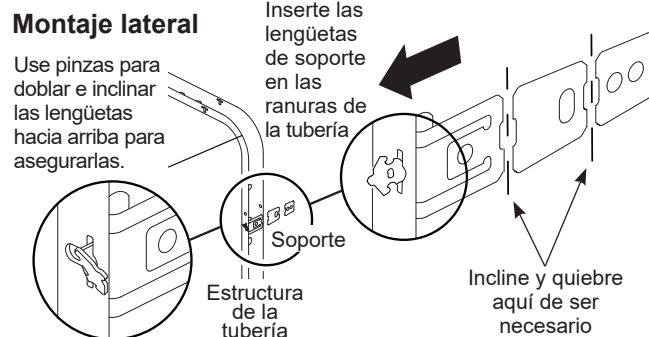
IMPORTANTE - Luego de instalar los soportes y antes de cerrar la puerta del lavavajillas, ajuste los soportes inclinando los mismos según sea necesario, de modo que no tengan contacto con la parte superior de la puerta del lavavajillas ni ocasionen daños.

- Si instalará el lavavajillas debajo de una mesada con un colgante corto, los soportes de la mesada se podrán extender más allá del extremo de la mesada. Si éste es el caso, retire la longitud excesiva inclinando de forma repetida los soportes de la ranura frontal, sólo hasta que se quiebren.

PASO 10 INSTALE LOS SOPORTES DE MONTAJE (CONT.)

Instale los soportes de montaje a los costados si la mesada es de granito o de un material similar que no acepte tornillos de madera:

- Quiebren la parte frontal de la lengüeta con una tijera en la ubicación mostrada, antes de realizar la adhesión al lavavajillas.
- Install the brackets by inserting the tabs through the slots on the tub frame as shown. **NOTA:** Es posible que se deban pasar las lengüetas a través de ranuras. Use pinzas para doblar e inclinar las lengüetas hacia arriba para asegurarlas.



PASO 11 COLOQUE EL LAVAVAJILLAS EN SU POSICIÓN FINAL

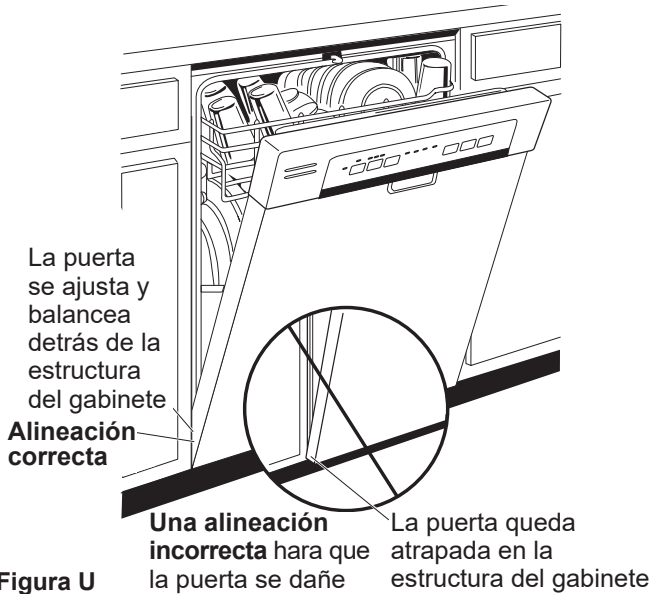
- Controle que la manta aislante, si está presente, esté envuelta de forma pareja alrededor de la tubería. No debería estar "amontonada" y no debe interferir con los resortes de la puerta. Si el aislante está "amontonado" o interfiere con los resortes, alargue y vuelva a centrar la manta antes de deslizar el lavavajillas hasta su posición final.
- Deslice el lavavajillas hasta la posición final, empujando los costados del panel de la puerta. No empuje la puerta hacia adelante o atrás en una posición parcialmente abierta o cerrada al mover el lavavajillas. No use la rodilla ni empuje sobre el centro del panel. Si lo hace, es posible que se dañe el panel. Controle que el lavavajillas esté posicionado de forma frontal en la abertura del gabinete, tanto en la parte superior como inferior del electrodoméstico, antes de montar el mismo al gabinete.

IMPORTANTE – Antes de abrir la puerta del lavavajillas, asegúrese de que los extremos del panel de la puerta del lavavajillas estén detrás de la cara del gabinete adyacente y contra la cara del gabinete. Consulte la Figura U. Si la puerta del lavavajillas es abierta cuando el extremo de la puerta está contra la cara del gabinete, se producirán daños sobre la puerta del lavavajillas y el gabinete.

Instalación del Lavavajillas

PASO 11 COLOQUE EL LAVAVAJILLAS EN SU POSICIÓN FINAL (CONT.)

- Abra y cierre la puerta del lavavajillas para asegurar que funcione de forma pareja, y que no haya frotación contra el gabinete adyacente.



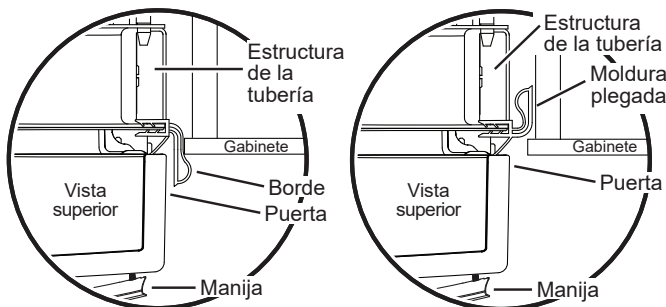
Consejo: Evite cargos innecesarios del servicio técnico por daños sobre el panel o el rendimiento de la lavadora.

Controle la alineación del lavavajillas antes de abrir la puerta del lavavajillas, a fin de evitar daños sobre el panel.

Asegúrese de que las líneas de los servicios no queden atrapadas o aplastadas detrás del lavavajillas. Las líneas aplastadas restringirán el flujo de agua.

Controle que el borde de la tina no tenga contacto con todos los puntos

Si la moldura interfiere con la puerta, como modo de instalación alternativa se puede plegar



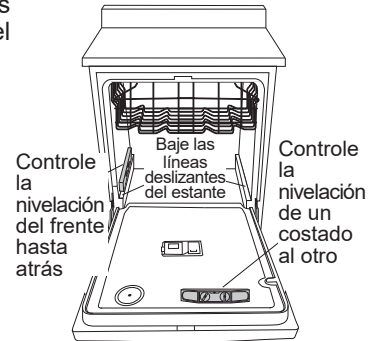
El borde de la tina puede ser acortado, de ser necesario, para asegurar un funcionamiento adecuado de la puerta

PASO 12 NIVELE EL LAVAVAJILLAS

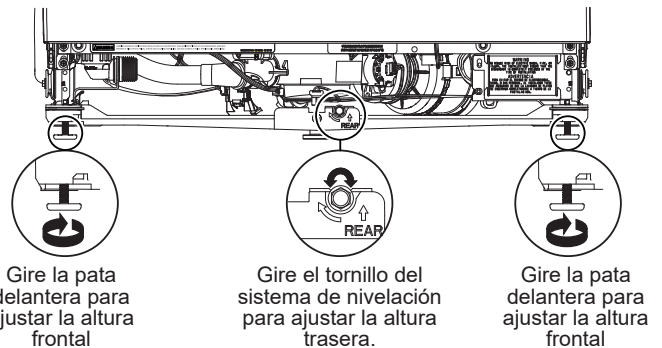
IMPORTANTE – El lavavajillas deberá estar nivelado para un funcionamiento apropiado del estante de los platos, el rendimiento del lavado y el funcionamiento de la puerta. El lavavajillas deberá estar nivelado de izquierda a derecha y del frente a la parte trasera. Esto asegura que los estantes de los platos no giren hacia adentro o afuera por sí solos, que el agua circulante fluya hacia la entrada de la bomba, y que la puerta se cierre sin golpear el costado de la tubería.

PASO 12 NIVELE EL LAVAVAJILLAS (CONT.)

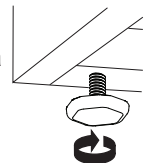
- Retire el estante de platos inferior y coloque un nivel en la puerta y en la línea deslizante del estante inferior en la figura.



Si su modelo cuenta con un sistema de nivelación trasera, la altura trasera se podrá ajustar desde la parte frontal del lavavajillas, junto con las 2 patas frontales en la parte inferior del lavavajillas. Comience el proceso de nivelación por las patas frontales, girando de forma individual las 2 patas frontales. Ajuste las patas delanteras primero. Cuando las patas delanteras son ajustadas a una altura que genere una brecha apropiada con el gabinete superior, proceda a ajustar el sistema de nivelación trasera, ajustando el tornillo de nivelación como se muestra en la figura. Gire el tornillo para ajustar el sistema de nivelación trasera. De forma lenta, **gire el tornillo en sentido horario para elevar la parte trasera del lavavajillas, y en sentido antihorario para hacerla descender**. Continúe ajustando los pies hasta que el lavavajillas esté nivelado, como se muestra en la Figura. Asegúrese de que las 3 patas tengan un contacto firme con el piso.



Si su modelo cuenta con 4 patas niveladoras, ajuste el nivel del lavavajillas girando de forma individual las 4 patas en la parte inferior del lavavajillas, como se ilustra en la figura.



- El lavavajillas está correctamente nivelado cuando el indicador de nivel está centrado de izquierda a derecha y del frente a la parte trasera. Además, la puerta del lavavajillas se debería cerrar sin golpear el costado de la tubería.
- Reemplace el estante inferior.

Consejo: Evite cargos innecesarios del servicio técnico. Verifique que el lavavajillas esté nivelado.

Empuje los estantes de los platos hacia afuera hasta la mitad de su recorrido. Deberían permanecer fijos. Abra y cierre la puerta. La puerta debería ajustarse en la abertura de la tubería, sin golpear el costado de esta última. Si los estantes giran por sí solos, o si la puerta golpea el costado de la tubería, vuelva a nivelar el lavavajillas.

Instalación del Lavavajillas

PASO 13 POSICIONE EL LAVAVAJILLAS, ASEGURE EL MISMO A LA MESADA O EL GABINETE

En este paso necesitará los 2 tornillos Phillips de cabeza especial de los tornillos que se reservaron anteriormente.

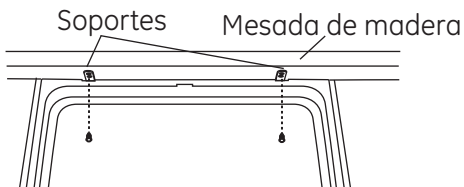
El lavavajillas deberá estar asegurado a la mesada o a los costados del gabinete. Cuando el lado inferior de la mesada sea de madera, use el **Método 1**. Use el **Método 2** cuando el lado inferior de la mesada esté hecho de un material que no acepte tornillos de madera, tal como el granito.

IMPORTANTE – Evite daños sobre el panel de la puerta y el panel de control. El lavavajillas deberá estar posicionado de modo que el panel frontal y el panel de control no tengan contacto con los gabinetes adyacentes o la mesada. Los tornillos de montaje deberán ser colocados de forma recta. Las cabezas salientes de los tornillos podrían rayar el panel de la puerta o el panel de control e interferir con el funcionamiento de la puerta.

Método 1

Asegure el lavavajillas sobre la parte inferior de la mesada de madera.

- Vuelva a controlar la alineación del lavavajillas en el gabinete. Consulte los Pasos 11 y 12. El panel de la puerta y/o el panel de control no deberán golpear los gabinetes ni la mesada.
- Ajuste el lavavajillas a la parte inferior de la mesada con 2 tornillos de cabeza especial Phillips. Consulte la figura. Asegúrese de que los tornillos estén colocados de forma recta para evitar daños sobre el pañel.



Método 2

Asegure el lavavajillas a los costados del gabinete.

- Vuelva a controlar la alineación del lavavajillas en el gabinete. Consulte los Pasos 11 y 12. El panel de la puerta y/o el panel de control no deberán golpear los gabinetes o la mesada.
- Retire los botones del enchufe. No los descarte.
- Ajuste el lavavajillas a los gabinetes adyacentes con los 2 tornillos de cabeza especial Phillips provistos. Consulte la Figura X. Asegúrese de que los tornillos estén colocados de forma recta para evitar daños sobre el pañel.
- Instale los botones del enchufe al costado de la tubería en los agujeros provistos.

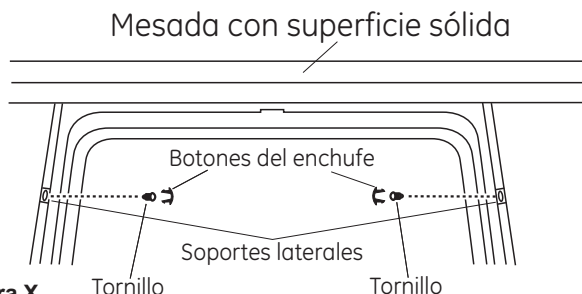


Figura X

PASO 13 POSICIONE EL LAVAVAJILLAS, ASEGURE EL MISMO A LA MESADA O EL GABINETE (CONT.)

- Vuelva a controlar que el lavavajillas esté en ángulo recto y nivelado tanto en la parte superior como en la parte inferior de la abertura del gabinete, sin torceduras ni distorsión de la tubería o de la puerta, luego de montar los gabinetes/mesada. Haga ajustes si es necesario.
- Confirme que todas las patas niveladoras tengan contacto con el piso, a fin de evitar que el lavavajillas se balancee y para asegurar un funcionamiento adecuado de la puerta y la traba and latch operation.

PASO 14 CONEXIÓN AL SUMINISTRO DE AGUA

Conecte la línea de suministro de agua al codo de 90°.

Si usará una conexión con una manguera trenzada flexible:

- Ajuste la tuerca al codo de 90° usando una llave ajustable.

Si usará una conexión a una tubería de cobre:

- Deslice la tuerca de compresión y luego una abrazadera de refuerzo sobre el extremo de la línea de agua.
- Inserte la línea de agua en el codo de 90°.
- Deslice la abrazadera de refuerzo contra el codo y asegure la misma con una tuerca de compresión.

IMPORTANTE – Asegúrese de que el resorte de la puerta y/o el cable del resorte de la puerta no tengan fricción ni contacto con la manguera de llenado o la línea de suministro de agua. Controle esto abriendo y cerrando la puerta. Si se produce un ruido de fricción o interferencia, redirija las líneas de suministro de agua.

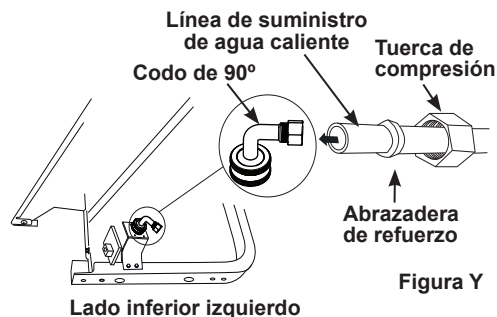
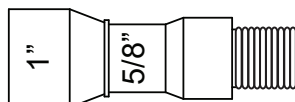


Figura Y

PASO 15 CONECTE LA LÍNEA DE DESAGÜE

- Ya debe haber separado la manguera de la tina en los lugares indicados.

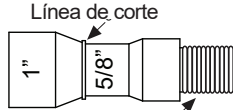
El extremo moldeado de la manguera de desagüe coincidirá con puertos de entrada de 5/8" a 1" de diámetro en la brecha de aire, la T de desechos o el eliminador de desechos.



Instalación del Lavavajillas

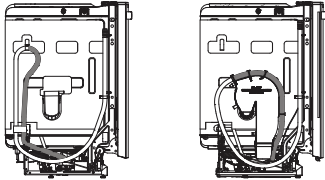
PASO 15 CONECTE LA LÍNEA DE DESAGÜE (CONT.)

- Determine el tamaño del puerto de entrada. Si se requiere, corte el conector de la manguera de desagüe en la línea marcada, para que coincida con el puerto de entrada.



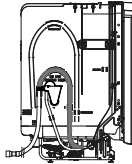
IMPORTANTE: No corte la parte coarrugada de la manguera

- Si se requiere una manguera de desagüe más larga y su modelo tiene el aspecto de uno de estos:

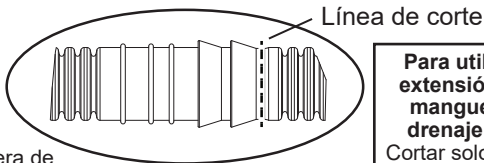


Reemplace la manguera de desagüe con bolso de usuario por la pieza del servicio técnico de GE Appliances **WD24X10065**, una manguera de una longitud de 12' que puede ser conectada directamente al bucle de desagüe ya adherida a la unidad.

- Si se requiere una manguera de drenaje más larga y su modelo tiene este aspecto:



Puede adquirir una manguera de drenaje de extensión - pieza de servicio de GE Appliances **WD24X10062** (4' de longitud) o **WD24X10065** (12' de longitud) que se puede conectar directamente a la manguera de drenaje ya conectada a la unidad. Para utilizar la extensión, debe cortar la manguera de drenaje suministrada con la unidad como se muestra. Utilice un cortamangueras o una cuchilla de navaja fina para cortar la manguera de drenaje.



Para utilizar la extensión de la manguera de drenaje de 4': Cortar solo en esta ubicación

Manguera de drenaje en el lavavajillas

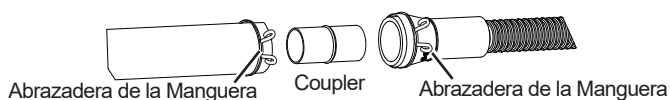


Conexión para lavavajillas

Para utilizar la extensión de la manguera de drenaje de 12': Corte solo UNA de estas dos ubicaciones

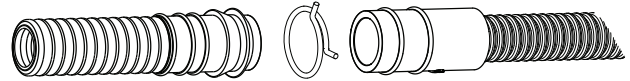
Casa

Si la pieza de la manguera no está disponible en el servicio técnico, una manguera adicional con sujeción con un diámetro interno de 5/8" o 7/8" y con una longitud no superior a 66" podrá ser adherida a la manguera de desagüe con bolso de usuario provista. Asegure la conexión con la abrazadera para manguera (obtener localmente) a la manguera de desagüe con bolso de usuario provista.



PASO 15 CONECTE LA LÍNEA DE DESAGÜE (CONT.)

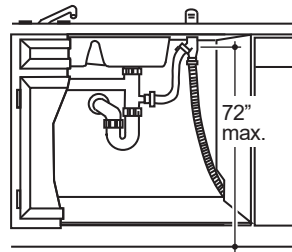
NOTA: LA LONGITUD TOTAL DE LA MANGUERA DE DESAGÜE NO DEBE EXCEDER LOS 16' DESDE LA PARTE TRASERA DEL LAVAVAJILLAS PARA QUE PUEDA DRENAR CORRECTAMENTE.



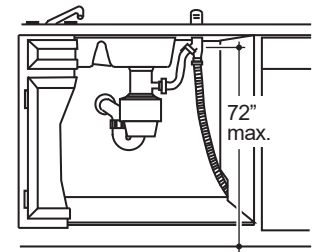
Abrazadera de la manguera

- Conecte la línea de desagüe a la brecha de aire, la T de desechos o el eliminador de desechos, usando el método determinado previamente. Asegure la manguera con una abrazadera de la manguera.

Método 1 – Brecha de aire con T de desechos o el eliminador de desechos



Instalación de la T de desechos

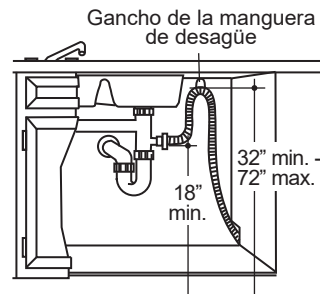


Instalación del eliminador de desechos

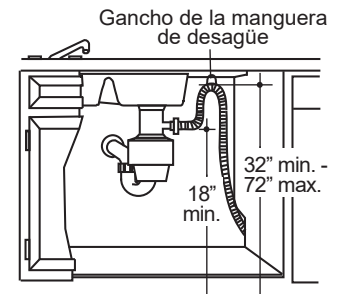
Método 2 – "Bucle de desagüe alto" con T de desechos o el eliminador de desechos

Con este método, necesitará el gancho de la manguera de drenaje reservada anteriormente.

Ajuste la manguera de desagüe a la parte inferior de la mesada con el gancho provisto.

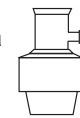


Instalación de la T de desechos



Instalación del eliminador de desechos

IMPORTANTE – Al conectar la línea de desagüe al eliminador de desechos, asegúrese de que el enchufe del desagüe haya sido retirado. **EL LAVAVAJILLAS NO HARÁ EL DESAGÜE SI EL ENCHUFE ESTÁ COLOCADO.**



Retire el enchufe del desagüe

Consejo: Evite cargos innecesarios del servicio técnico debido a reclamos por falta de desagüe.

Asegúrese de que la manguera de desagüe haya sido pasada por la abertura del gabinete. Esto evitará que el exceso de manguera en la cavidad del lavavajillas sea retorcido o aplastado por el lavavajillas.

Instalación del Lavavajillas

PASO 16 CONECTE EL SUMINISTRO DE CORRIENTE DE CORRIENTE

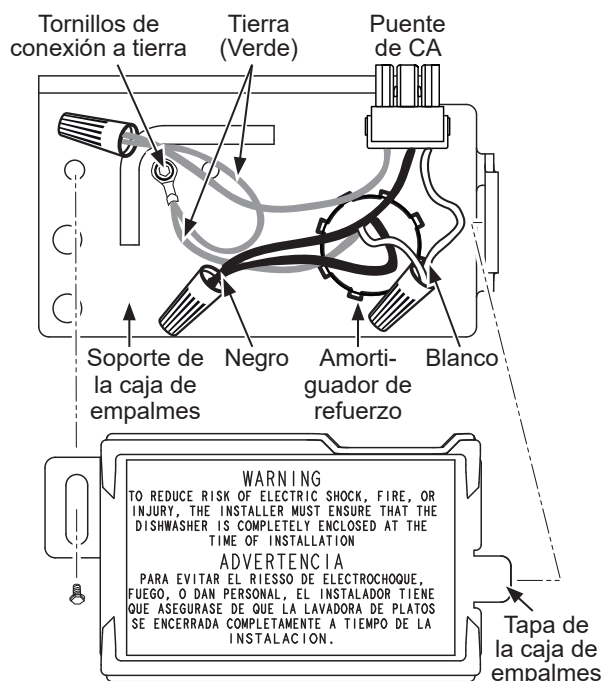
Si un cable de corriente con un enchufe ya está instalado, proceda al Paso 17.

⚠ ADVERTENCIA

Si el cableado doméstico no cuenta con un cable de 2 hilos con conexión a tierra, un instalador debe realizar una conexión a tierra. Cuando el cableado doméstico es de aluminio, asegúrese de usar un compuesto antioxidante y conectores de aluminio a cobre aprobados or UL.

En este paso necesitará la cubierta de la caja de conexiones y el tornillo de cabeza hexagonal n.º 10 de los tornillos que se dejaron a un lado anteriormente.

- Asegure el cableado de la casa a la parte trasera de la caja de empalmes con un amortiguador de refuerzo.
- Ubique los 3 cables del lavavajillas (blanco, negro y verde) con los extremos con tiras que sobresalen del puente de CA. Use tuercas para cables aprobados por UL que sean del tamaño apropiado para conectar el cable de tierra entrante al verde, el blanco al blanco y el negro al negro.
- Instale la tapa de la caja de empalmes usando un tornillo de cabeza hexagonal nº 10. Asegúrese de que los cables no sufran cortes debajo de la tapa.
- Asegúrese de que la tapa de la caja de empalmes se apoye sobre el soporte de montaje.
- Si usará un Kit de Cables de Corriente, utilizar el número de pieza GE Appliances **WX09X70910** o **WX09X70911** y consulte las instrucciones incluidas.



NOTA: Todos los tornillos, soportes y cables de conexión a tierra deben permanecer intactos.

PASO 17 LISTA DE CONTROL DE EVALUACIÓN PREVIA

Revise esta lista luego de instalar el lavavajillas, a fin de evitar cargos por llamadas al servicio técnico, las cuales no están cubiertas por su garantía.

- Asegúrese de que el encendido esté en **OFF** (Apagado).
- Abra la puerta y retire toda la gomaespuma y el papel de embalaje.
- Ubique el Manual del Propietario separado en el Paso 1.
- Localice el Manual del Propietario reservado anteriormente.
- Controle la apertura y cierre de la puerta. Si la puerta no se abre y cierra libremente, controle la ubicación correcta del cable de resorte sobre la polea. Si la puerta se cae o cierra al ser liberada, ajuste la tensión del resorte. Consulte el Paso 2.
- Asegúrese de que el cableado esté asegurado debajo del lavavajillas, sin cortes ni en contacto con resortes de la puerta u otros compartimientos. Consulte el Paso 16.
- Controle la alineación de la puerta con la tubería. Si la puerta golpea la tubería, nivele el lavavajillas. Consulte el Paso 12.
- Controle la alineación de la puerta con el gabinete. Si la puerta golpea el gabinete, reposicione el lavavajillas. Consulte el Paso 11.
- Controle que el resorte de la puerta no tenga contacto con la línea de agua, la manguera de llenado, el cableado u otros componentes. Consulte el Paso 11.
- Verifique que el suministro de agua y las líneas de desagüe no estén retorcidas ni en contacto con otros componentes. El contacto con el motor o la estructura del lavavajillas podría generar ruidos.
- Abra el grifo de agua caliente del lavabo y verifique la temperatura del agua. La temperatura del agua entrante deberá ser de entre 120°F y 140°F. Se requiere una temperatura mínima de 120°F para un mejor rendimiento del lavado. Consulte la "Preparación de la Línea de Agua Caliente", en la página 5.
- Agregue 1 cuarto de agua a la parte inferior del lavavajillas, a fin de lubricar la junta de la bomba.
- Active el suministro de agua. Controle que no haya pérdidas. De ser necesario, ajuste las conexiones.
- Retire la película protectora si se encuentra presente en el panel de control y la puerta.
- Controle que el borde de la tina no entre en contacto con la puerta.

Instalación del Lavavajillas

PASO 18 PRUEBA DE MOJADO DEL LAVAVAJILLAS

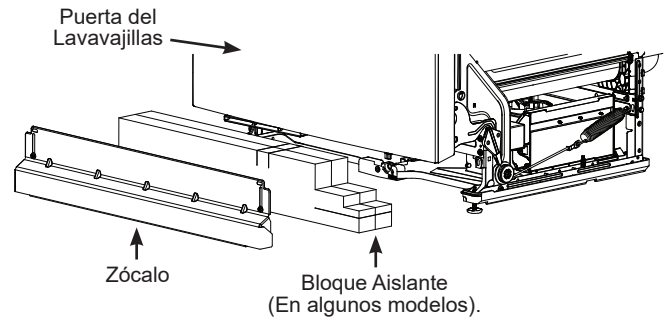
- Active la corriente y enchufe el cable de corriente en el tomacorriente, si está equipado de este modo.
- Seleccione un ciclo y presione el botón **Start** (Iniciar).
- Asegúrese de que la puerta esté trabada. El lavavajillas se debería iniciar.
- Asegúrese de que el agua entre al lavavajillas. Si no entra agua al lavavajillas, asegúrese de que el agua y la corriente estén activadas.
- Controle que no haya pérdidas debajo del lavavajillas. Si encuentra una gotera, apague la corriente desde el disyuntor, y luego ajuste las conexiones del agua. Reinicie la corriente una vez que la pérdida sea corregida.

NOTA: Es posible que una pequeña cantidad de agua sea derramada del túnel de llenado sobre el lado derecho de la bañera durante el primer uso luego de la instalación. Es muy probable que el derrame se produzca si hay aire en la tubería de suministro de agua de una construcción nueva o si la válvula estuvo cerrada durante un período de tiempo prolongado.

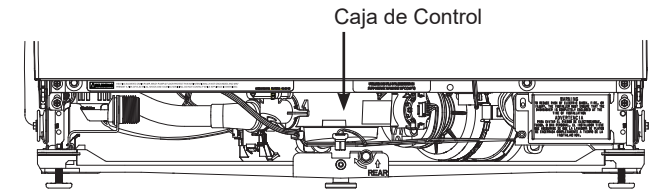
- Controle que no haya goteras alrededor de la puerta. Una gotera alrededor de la puerta podría ser ocasionada por frotación con la puerta o golpes contra gabinetes adyacentes. De ser necesario, reposicione el lavavajillas. Consulte el Paso 11.
- Mantenga presionado el botón **Start** (Iniciar) durante 3 segundos para cancelar el ciclo. La unidad comenzará a realizar el desagüe. Controle las líneas de desagüe. Si se encuentran pérdidas, corte la corriente desde el disyuntor y corrija los problemas de la plomería, según sea necesario. Reinicie la corriente una vez realizadas las correcciones. Consulte los Pasos 4, 6, 7, 8 y 15.
- Abra la puerta del lavavajillas y asegúrese de que toda el agua sea desagotada. De no ser así, controle que el cable del eliminador de desechos haya sido retirado y/o que la brecha de aire no esté enchufada. También controle la manguera de desagüe para asegurar que no esté retorcida debajo o detrás del lavavajillas. Consulte el Paso 15.
- Presione el botón **Start** (Iniciar) una vez más y haga funcionar el lavavajillas en otro ciclo. Controle que no haya goteras y corrija las mismas de ser necesario.
- Repita estos pasos según sea necesario.

PASO 19 POSICIONE LA PIEZA DE AISLACIÓN DE SONIDO (algunos modelos)

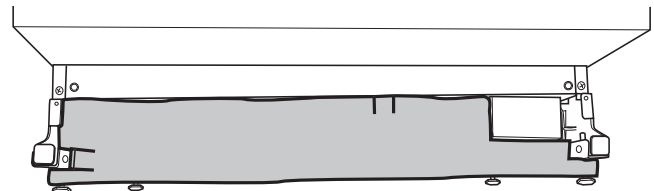
- Ubique el paquete del aislante de sonido dentro del lavavajillas.
- Posiciónelas piezas en forma vertical, como se muestra.



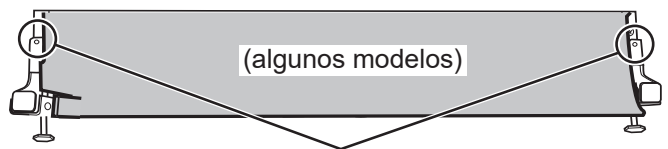
- Ubique la caja de control.



- Empuje la parte del bloque aislante debajo del lavavajillas, hasta que quede debajo de la caja de control.



- Empuje la parte del panel hacia arriba, hasta el frente del bloque.



Empuje los costados del aislante detrás de los agujeros de los tornillos para adherir el zócalo.

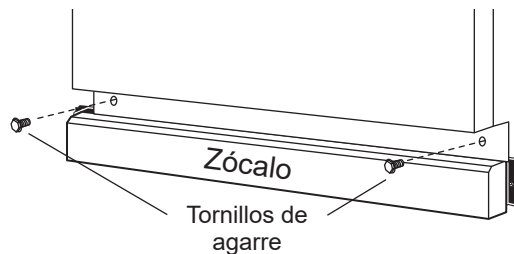
- Ajuste los costados del panel frontal detrás de los agujeros de los tornillos para adherir el zócalo.

Instalación del Lavavajillas

PASO 20 INSTALE EL ZÓCALO

- Retire los 2 tornillos de la bolsa del usuario.
- Coloque el zócalo contra las patas del lavavajillas.
- Alinee el zócalo con el extremo inferior y asegúrese de que esté contra el piso.
- Inserte y apriete los 2 tornillos de fijación de la placa inferior de acceso.

NOTA: Tenga cuidado de no apretar en exceso los tornillos de la placa inferior de acceso.

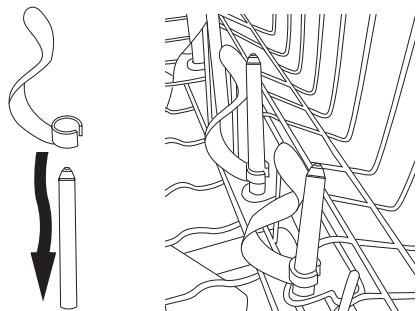


- Al volver a instalar la placa inferior de acceso, en modelos con una barrera acústica, asegúrese de que el borde inferior esté alineado con el suelo. Cualquier exceso de material debe estar plegado detrás de la puerta exterior.

Consejo: Reduzca el sonido debajo del lavavajillas. Asegúrese de que el zócalo esté contra la pared.

PASO 21 INSTALE LOS SUJETADORES DE LOS JETS DE BOTELLA (en algunos modelos)

- Según el modelo, los sujetadores de los Jets de Botella se encuentran en la canasta de cubiertos o en la bolsa del usuario. Para instalar los sujetadores de botella, simplemente desliza la abertura de los sujetadores sobre la parte superior de la boquilla y presiónalos hacia la base.



PASO 22 CONTROLE LO SIGUIENTE

- El borde de la tina no interfiere con la puerta
- El lavavajillas es cuadrado y está nivelado tanto en la parte superior como en la inferior de la abertura del gabinete, sin retorcimiento ni distorsión de la tina o de la puerta
- En los modelos sin sistema de nivelación ajustable, asegúrese de que las 4 patas del lavavajillas posean un contacto firme con el piso.
- En los modelos con el sistema de nivelación ajustable, asegúrese de que ambas patas delanteras del lavavajillas y la pata del sistema de nivelación central trasera posean un contacto firme con el piso.
- La manguera de drenaje no tiene torceduras entre el lavavajillas y los gabinetes o paredes adyacentes
- El borde de la tina está completamente apoyado en el reborde de la tina

PASO 23 TEXTOS

- Asegúrese de entregar al consumidor el paquete completo de textos, estas Instrucciones de Instalación y muestras y/o cupones del producto.

NOTA: La mejora de los productos es un esfuerzo continuo. Por lo tanto, los materiales, la apariencia y las especificaciones pueden sufrir cambios sin previo aviso.