

## Installation Instructions

## Dishwasher Drawer

If you have questions, visit our website at: [cafeappliances.com](http://cafeappliances.com)

**BEFORE YOU BEGIN** - Read these instructions completely and carefully.

### ⚠ WARNING

- To reduce the risk of electric shock, fire, or injury to persons, the installer must ensure that the dishwasher is completely enclosed at the time of installation.
- **FOR PERSONAL SAFETY:** Remove house fuse or open circuit breaker before beginning installation. Do not use an extension cord or adapter plug with this appliance.
- The improper connection of the equipment grounding conductor can result in a risk of electric shock. Check with a qualified electrician or service representative if you are in doubt that the appliance is properly grounded.
- If house wiring is not 2-wire with ground, a ground must be provided by the installer. When house wiring is aluminum, be sure to use UL-Listed anti-oxidant compound and aluminum-to-copper connectors.
- To reduce the risk of electric shock, fire, or injury to persons, the installer should check to ensure that wires are not pinched or damaged, the house wiring is attached to the dishwasher through a strain relief, and all electrical connections made at the time of install are contained inside of the terminal block cover.
- **For models equipped with power cord:** Do not modify the plug provided with the appliance; if it will not fit the outlet, have a proper outlet installed by a qualified technician.

### ⚠ CAUTION

While performing installations described in this booklet, gloves, safety glasses or goggles should be worn.

## FOR YOUR SAFETY

Read and observe all **WARNINGS** and **CAUTIONS** shown throughout these instructions.

**IMPORTANT** – Observe all governing codes and ordinances.

- **Note to Installer** – Be sure to leave these instructions for the consumer's and local inspector's use.
- **Note to Consumer** – Keep these instructions with your Owner's Manual for future reference.
- **Skill Level** – Installation of this dishwasher requires basic mechanical, electrical and plumbing skills. **Proper installation is the responsibility of the installer. Product failure due to improper installation is not covered under the GE Appliances Warranty. See Warranty information.**
- **Completion Time – 1 to 3 Hours.** New installations require more time than replacement installations.

**IMPORTANT** – The dishwasher **MUST** be installed to allow for future removal from the enclosure if service is required.

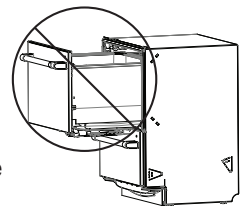
Care should be exercised when the appliance is installed or removed, to reduce the likelihood of damage to the power supply cord.

If you received a damaged dishwasher, you should immediately contact your dealer or builder.

Your dishwasher is a water heating appliance.

### ⚠ CAUTION

Opening a drawer will cause the dishwasher to tip forward when it is not fully installed. When opening a drawer prior to the dishwasher being fully installed, hold the drawer handle securely with one hand and the top of the dishwasher with the other hand. Gloves should be worn.



**READ CAREFULLY  
KEEP THESE INSTRUCTIONS**

# Precauciones en Español

**ANTES DE COMENZAR** - Lea estas instrucciones en su totalidad y atentamente.

## ⚠️ ADVERTENCIA

- Para reducir el riesgo de descarga eléctrica, incendio o lesiones a personas, el instalador debe asegurarse de que el lavaplatos esté completamente cerrado en el momento de la instalación.
- **PARA SEGURIDAD PERSONAL:** Quite el fusible o abra el interruptor de circuitos antes de comenzar la instalación. No utilice un cable de extensión o un enchufe adaptador con este artefacto.
- La conexión inadecuada del conductor de conexión a tierra del equipamiento puede provocar un riesgo de descarga eléctrica. Consulte a un electricista calificado o representante de servicio técnico si tiene dudas sobre la correcta conexión a tierra del aparato.
- Si el cableado doméstico no cuenta con un cable de 2 hilos con conexión a tierra, un instalador debe realizar una conexión a tierra. Cuando el cableado doméstico es de aluminio, asegúrese de usar un compuesto antioxidante y conectores de aluminio a cobre aprobados por UL.
- Para reducir el riesgo de descarga eléctrica, incendio o lesiones a personas, el instalador deberá realizar un control para asegurar que los cables no estén pellizcados ni dañados, que el cableado del hogar esté conectado a la ficha de la caja de empalmes a través de un amortiguador de refuerzo, y que todas las conexiones eléctricas realizadas en el momento de la instalación (tuercas para cables) estén dentro de la tapa de la caja de empalmes.

## ⚠️ PRECAUCIÓN

While performing installations described in this booklet, gloves, safety glasses or goggles should be worn.

## PARA SU SEGURIDAD

Lea y cumpla con todas las **ADVERTENCIAS** y **PRECAUCIONES** que figuran en estas instrucciones.

**IMPORTANTE** – Cumpla con todos los códigos y ordenanzas gubernamentales.

- **Nota para el Instalador** – Asegúrese de entregar estas instrucciones al consumidor y al inspector local.
- **Nota para el Consumidor** – Guarde estas instrucciones con su Manual del Propietario para referencia futura.
- **Nivel de habilidad** – La instalación de este lavavajillas requiere un nivel básico de habilidades mecánicas, eléctricas y de plomería. **La correcta instalación del producto es responsabilidad del instalador. Si se producen fallas en el producto debido a una instalación inadecuada, la Garantía del Producto de GE Appliances no cubrirá las mismas. Consulte la información de la Garantía.**
- **Tiempo de instalación – 1 y 3 Horas.** Las instalaciones nuevas requieren más tiempo que las instalaciones de reemplazo.

**IMPORTANTE** – El lavavajillas **DEBE** ser instalado para permitir el retiro futuro de su ubicación, si se requiere realizar el servicio técnico.

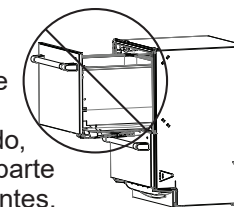
Se deberá tener cuidado cuando el electrodoméstico sea instalado o retirado, a fin de reducir la posibilidad de daños sobre el cable de suministro eléctrico.

Si el lavavajillas que recibió está dañado, se debería comunicar de inmediato con su vendedor o fabricante.

Su lavavajillas es un electrodoméstico donde se calienta agua.

## ⚠️ PRECAUCIÓN

Abrir un cajón hará que el lavavajillas se incline hacia adelante cuando no esté completamente instalado. Cuando abra un cajón antes de que el lavavajillas esté completamente instalado, sostenga la manija del cajón firmemente con una mano y la parte superior del lavavajillas con la otra mano. Deben usarse guantes.



**LEA DETENIDAMENTE  
CONSERVE ESTAS INSTRUCCIONES**

# Installation Preparation

## DISHWASHER DRAWER INSTALLATION OVERVIEW

This video provides an overview of what is needed to install a Dishwasher Drawer.

It is intended as an overview only of the installation process and is not intended to be used as a guide on how to install the Dishwasher Drawer yourself.



## TOOLS YOU WILL NEED



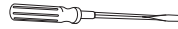
Safety Glasses



Gloves



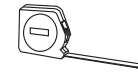
Phillips-Head  
Screwdriver



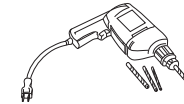
Flat Head  
Screwdriver



Flashlight



Measuring Tape



Drill and Bits

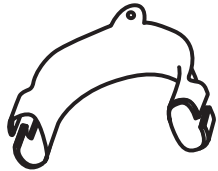


Level

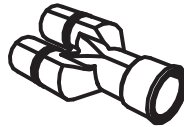


Carpenter's  
Square

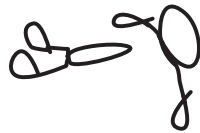
## PARTS SUPPLIED IN INSTALLATION PACKAGE



Drain hose  
support (1)



Drain hose  
joiner (1)



Wire clip (2)  
(for securing  
Drain hose joiner)



Clamp (1)  
(for securing  
Drain hose joiner)



Side mounting  
bracket kit  
(A and B) (2)  
OPTIONAL



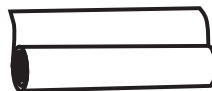
Top  
mounting  
brackets (2)  
OPTIONAL



Phillips  
5/8" (16 mm)  
screws (9)



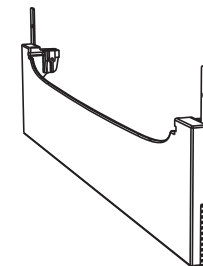
Rubber washer  
for inlet hose (1)  
(comes already  
fitted)



Moisture protection  
tape (1)  
(to prevent moisture  
damage to cabinetry)



Hexagonal  
socket for feet  
adjustment (2)  
(long & short)



Prefinished  
toekick (1)



Edge Protector (1)  
(If the services hole is through a  
metal partition, the hole must be  
protected with the Edge Protector  
supplied to prevent damage to the  
power cord or hoses.)

If the drain hoses supplied are not long enough to reach your services, you must use a Drain Hose Extension Kit **WD24X30798** which will extend the drain hoses by 11' 10" (3.6m). The kit is available from **GEApplianceparts.com** or by phone at 877.959.8688 during normal business hours.

**NOTE:** Consider recycling options for your appliance packaging material.

# Installation Preparation

## PREPARE ELECTRICAL WIRING

### ⚠ WARNING

FOR PERSONAL SAFETY: Remove house fuse or open circuit breaker before beginning installation.

Do not use an extension cord or adapter plug with this appliance.

### ⚠ ADVERTENCIA

PARA SEGURIDAD PERSONAL: Quite el fusible o abra el interruptor de circuitos antes de comenzar la instalación. No utilice un cable de extensión o un enchufe adaptador con este artefacto.

## ELECTRICAL REQUIREMENTS

Be sure that the electrical connection and wire size are adequate and in conformance with the National Electric Code, ANSI/NFPA 70 – latest edition, and all local codes and ordinances.

### This appliance must have:

- 120V, 60Hz, AC-only, 15-ampere or 20-ampere, fused electrical supply.
- Wiring must be 2 wire with ground and rated for 75°C (167°F).
- If the electrical supply does not meet the above requirements, call a licensed electrician before proceeding.

### It is recommended to have:

- A circuit breaker or time-delay fuse.
- A properly grounded individual branch circuit.

### Grounding Instructions—Permanent Connection

This appliance must be connected to a grounded metal, permanent wiring system, or an equipment-grounding conductor must be run with the circuit conductors and be connected to the equipment-grounding terminal or lead on the appliance.

### Grounding Instructions—Power Cord Models

This appliance must be grounded. In the event of a malfunction or breakdown, grounding will reduce the risk of electric shock by providing a path of least resistance for electric current. This appliance is equipped with a cord having an equipment-grounding conductor and a grounding plug. The plug must be plugged into an appropriate outlet that is installed and grounded in accordance with all local codes and ordinances.

### ⚠ WARNING

The improper connection of the equipment grounding conductor can result in a risk of electric shock. Check with a qualified electrician or service representative if you are in doubt that the appliance is properly grounded.

### ⚠ WARNING

**For models equipped with power cord:** Do not modify the plug provided with the appliance; if it will not fit the outlet, have a proper outlet installed by a qualified technician.

### ⚠ ADVERTENCIA

La conexión inadecuada del conductor de conexión a tierra del equipamiento puede provocar un riesgo de descarga eléctrica. Consulte a un electricista calificado o representante de servicio técnico si tiene dudas sobre la correcta conexión a tierra del aparato.

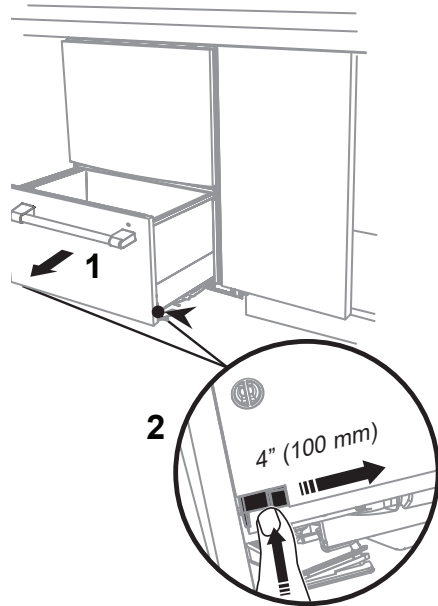
### ⚠ ADVERTENCIA

**Con los modelos equipados con cable de corriente:** No modifique el enchufe provisto con el electrodoméstico; si no coincide con el tomacorriente, solicite la instalación de un tomacorriente apropiado a un electricista calificado.

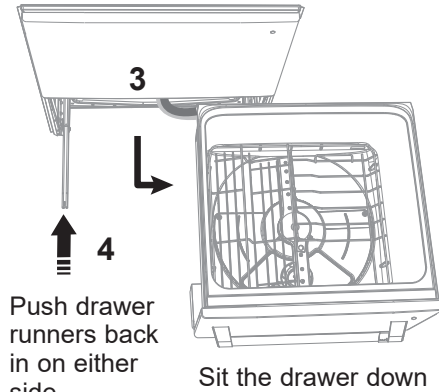
# Installation Preparation

## OPTIONAL - HARD WIRING PRIOR TO INSTALLATION

### 1 REMOVE THE LOWER DRAWER



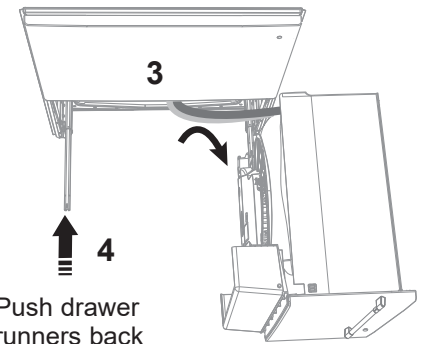
To prevent kinked hoses  
Either sit the drawer down on the left hand side (recommended) or rotate the drawer clockwise, resting it on its side after removal.



Push drawer runners back in on either side.

Sit the drawer down

OR

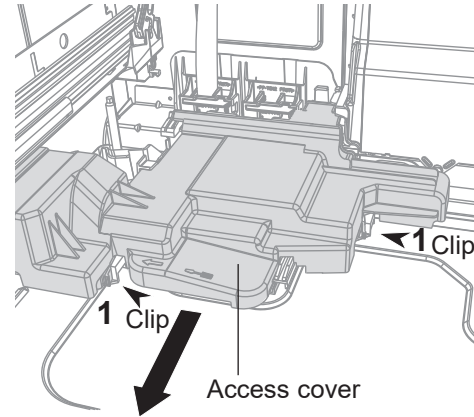


Push drawer runners back in on either side.

Rotate the drawer clockwise (max. 90°) and rest on side.

Press the release tabs in on either side and push back to release drawer from runners. Lift drawer off runners.

### 2 REMOVE THE ACCESS COVER AND REMOVE THE POWER CORD



1 With a flat-bladed screwdriver, push in the clips and slide out the access cover.

2 Unscrew the electronics module cover.

3 Carefully pull out the electronics module and rest on the chassis base out of the way.

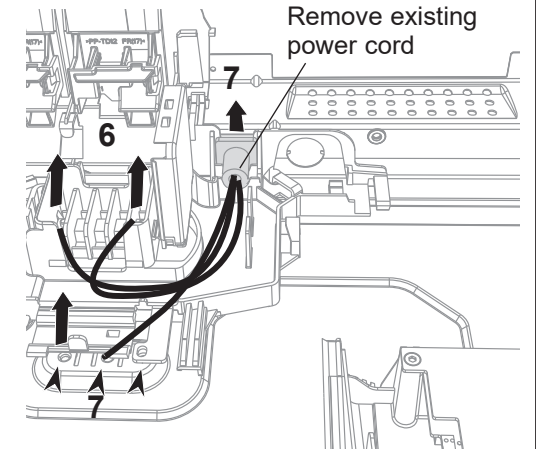
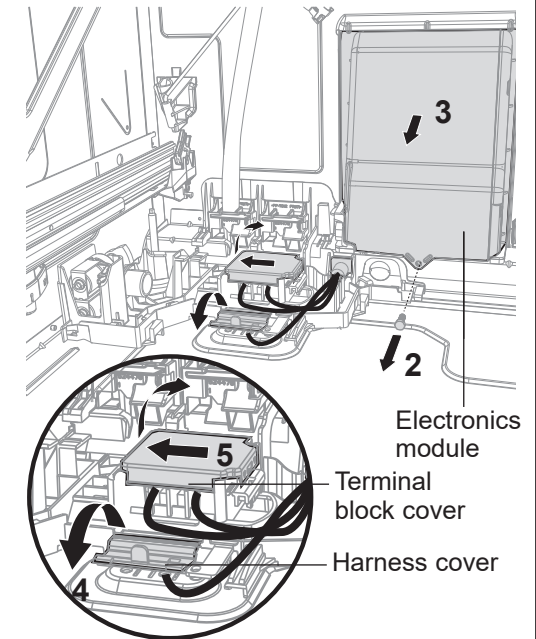
4 With a screwdriver, unclip the plastic harness cover and hinge open.

5 Slide the terminal block cover sideways to unlock and hinge open to access the terminal block.

6 Unscrew the Live, Neutral and Ground wires as shown.

**NOTE:** Only unscrew the live and neutral terminals 2 turns. They are fork terminals and do not require the screws to be removed. The ground requires the screw be removed. It is a ring terminal. Remove the center ground screw.

7 Unscrew the three screws on the base as shown and remove the cord from the product.





# Installation Preparation

## OPTIONAL - HARD WIRING PRIOR TO INSTALLATION - CONTINUED

### ⚠ WARNING

If house wiring is not 2-wire with ground, a ground must be provided by the installer. When house wiring is aluminum, be sure to use UL-Listed anti-oxidant compound and aluminum-to-copper connectors.

### ⚠ ADVERTENCIA

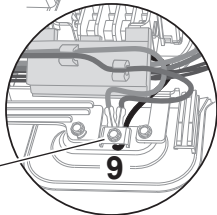
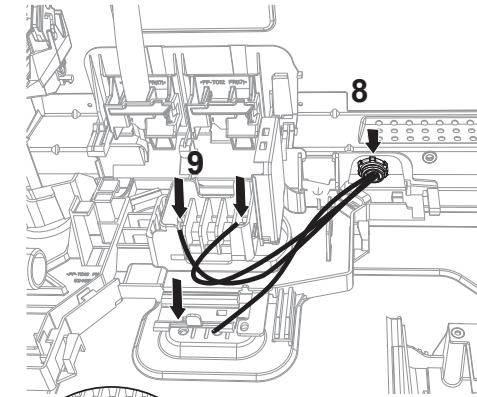
Si el cableado doméstico no cuenta con un cable de 2 hilos con conexión a tierra, un instalador debe realizar una conexión a tierra. Cuando el cableado doméstico es de aluminio, asegúrese de usar un compuesto antioxidante y conectores de aluminio a cobre aprobados or UL.

### 3 TERMINATE HOUSE WIRING AS SHOWN AND REPLACE MODULE AND COVERS

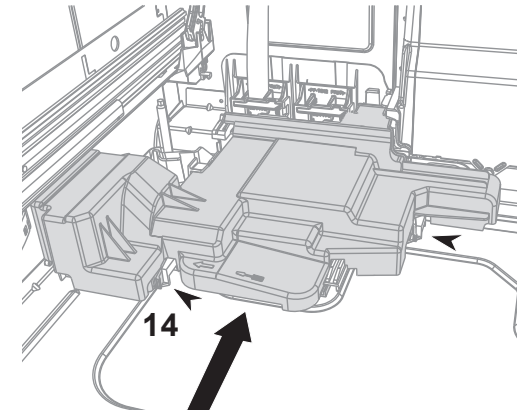
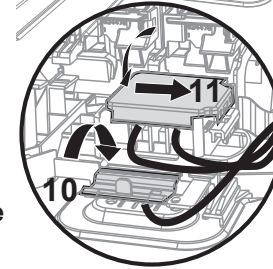
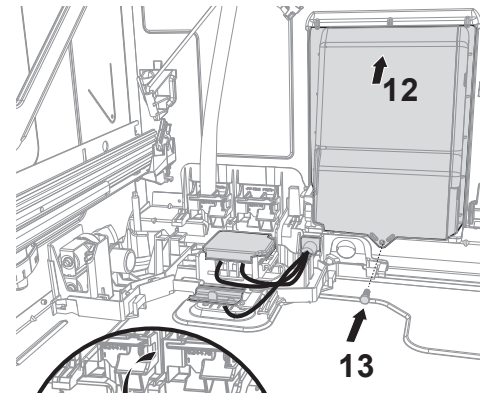
- 8 Fit a suitable cable clamp for the conduit through the metal knockout. Ensure wiring is routed through or under housing ribs.
- 9 Screw down the Live, Neutral and Ground wires correctly.
- 10 Push the plastic harness cover back over. It should clip back into place
- 11 Fold down and slide back the terminal block cover.
- 12 Refit the electronics module back into position, being careful of wiring.
- 13 Replace the screw securing the electronics module.
- 14 Slide the access cover back, ensuring the 2 clips shown are fully locked in place.

**NOTE:** Use copper conductors only.

**IMPORTANT:** Both ring terminals must be replaced and the bare Ground wire clamped



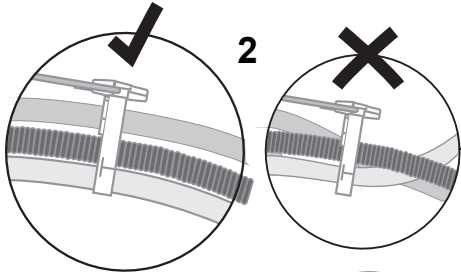
**IMPORTANT:** Ensure house wires are routed **UNDERNEATH** all other harness wiring from the electronics module.



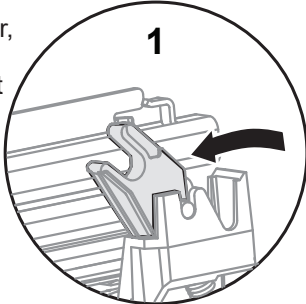
# Installation Preparation

## OPTIONAL - HARD WIRING PRIOR TO INSTALLATION - CONTINUED

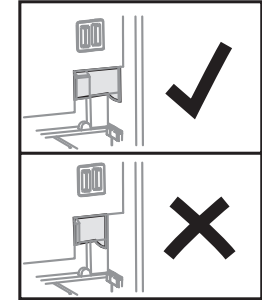
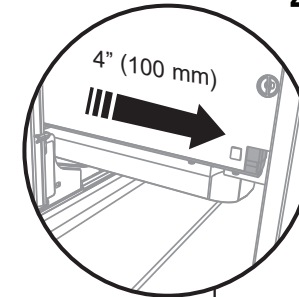
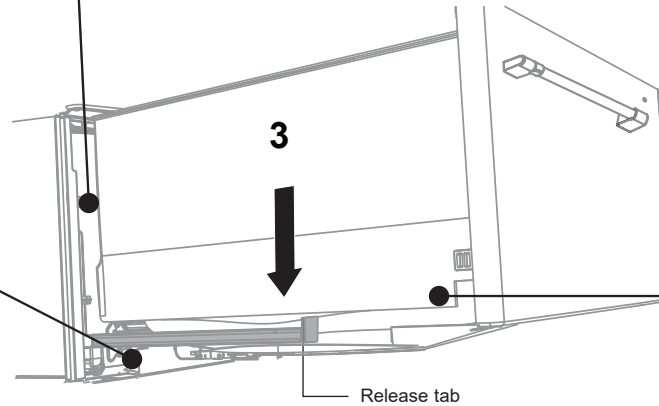
### 4 REFIT THE DRAWER ONTO THE RUNNERS AND CLOSE



Before refitting the drawer, ensure the hoses are not twisted and the latches at the rear of each drawer runner are facing forward.



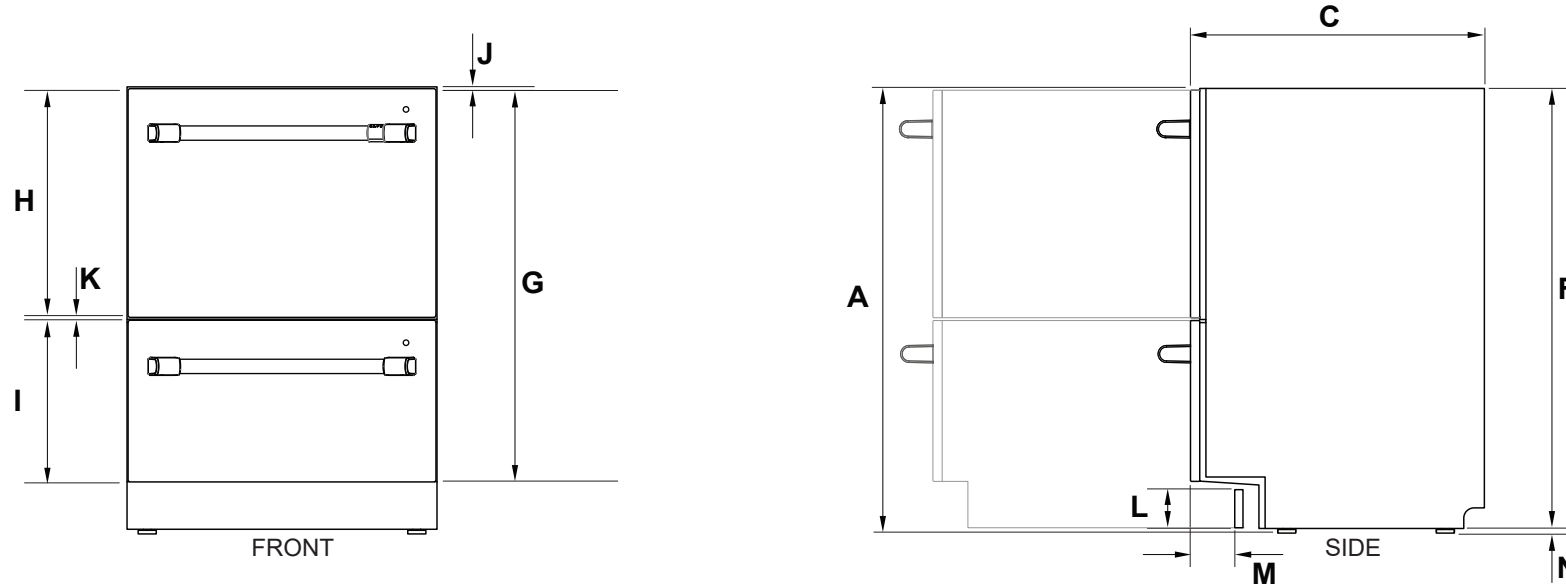
Lift or rotate counter-clockwise the drawer back onto the drawer runners on either side.



Pull the release tabs forward on both sides 4" (100 mm). Ensure the tabs are fully pulled forward and click into place.

# Installation Preparation

## PRODUCT DIMENSIONS



### PRODUCT DIMENSIONS

	INCHES (MM)
A Overall height of product <sup>1</sup>	34 - 36 3/8" (864-924) <sup>2</sup>
B Overall width of product	23 9/16" (599)
C Overall depth of product (excl. handle)	22 9/16" (573)
D Depth of chassis (to back of front drawer panel)	21 3/4" (553)
E Depth of drawer front panel (excl. handle)	13/16" (20)
F Height of chassis <sup>1</sup>	33 11/16" (855)
G Height of drawer front panels	30" (762)
H Height of upper drawer front panel	17 3/8" (442)
I Height of lower drawer front panel	12 1/4" (312)
J Height from top of drawer front panel to top of chassis	1/16" (2)
K Ventilation gap between drawer front panels	5/16" (8)
L Height of toe-kick (customizable)	2 13/16 - 5" (72-127)
M Depth from front of drawer panel to front of toe-kick (adjustable) <sup>3</sup>	1 1/2 - 4" (38-102)
N Height of leveling feet (adjustable)	3/8 - 2 3/4" (9-69) <sup>2</sup>
O Maximum extension of drawer	21 9/16" (547)

<sup>1</sup> includes 1/16" (2mm) high bracket slots

<sup>2</sup> depending on adjustment of leveling feet

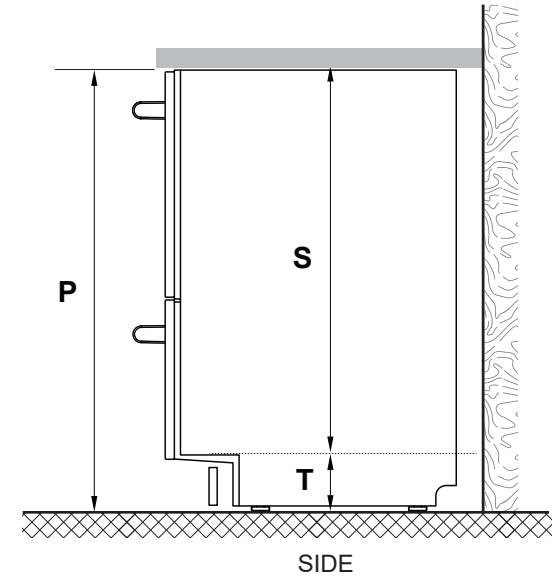
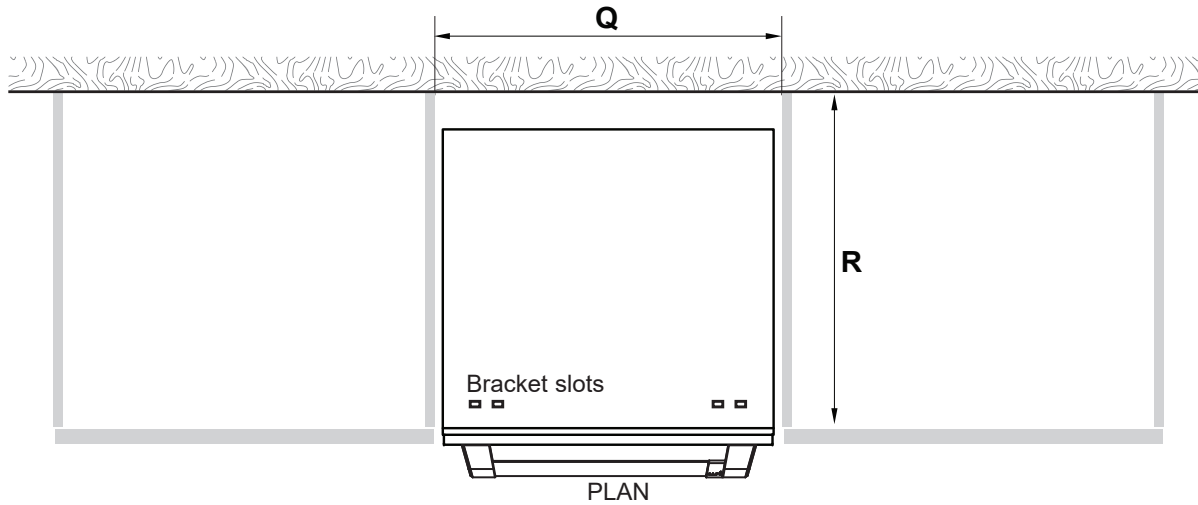
<sup>3</sup> adjustable to match toe-kick recess on adjoining cabinetry

PLAN



# Installation Preparation

## CABINETY DIMENSIONS



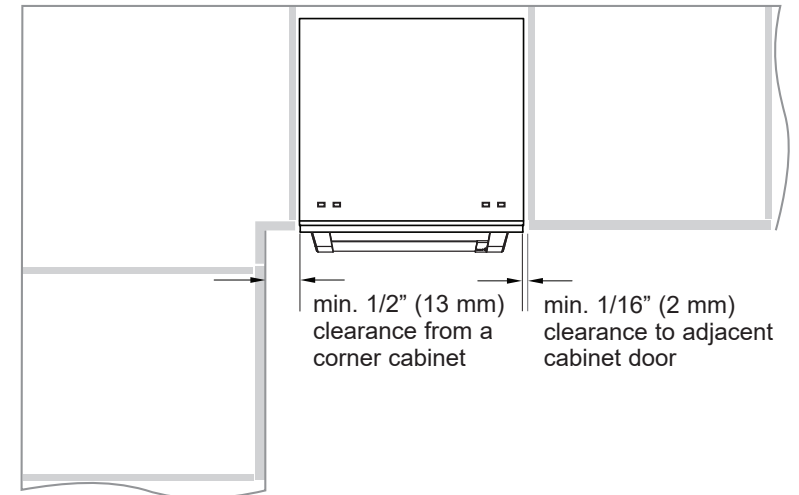
### CABINETY DIMENSIONS

### INCHES (MM)

P	Inside height of cavity*	min. 34" (864)
Q	Inside width of cavity	23 5/8" (600)
R	Inside depth of cavity	min. 22 1/16" (560)
S	Recommended height of adjacent cabinet space	30" (762)
T	Height of toekic K space*	3 15/16" - 6 5/16" (100-160)

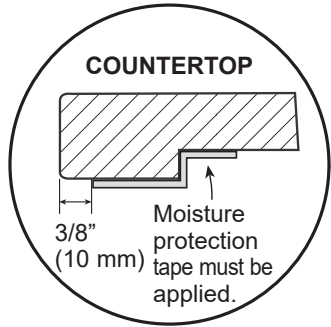
\* depending on adjustment of leveling feet

### Minimum clearances from adjacent cabinetry



# Installation Preparation

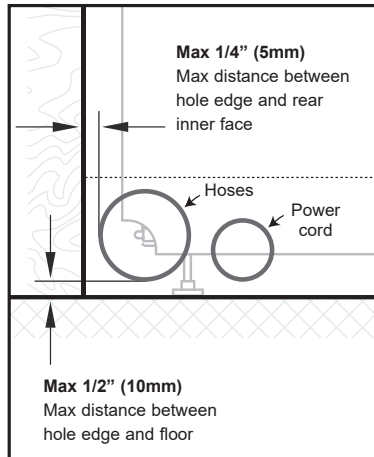
## CAVITY PREPARATION



These marks indicate formed bracket screw locations, if securing by drawer removal.

If there is no side partition, you can construct timber bracing as something to secure into.

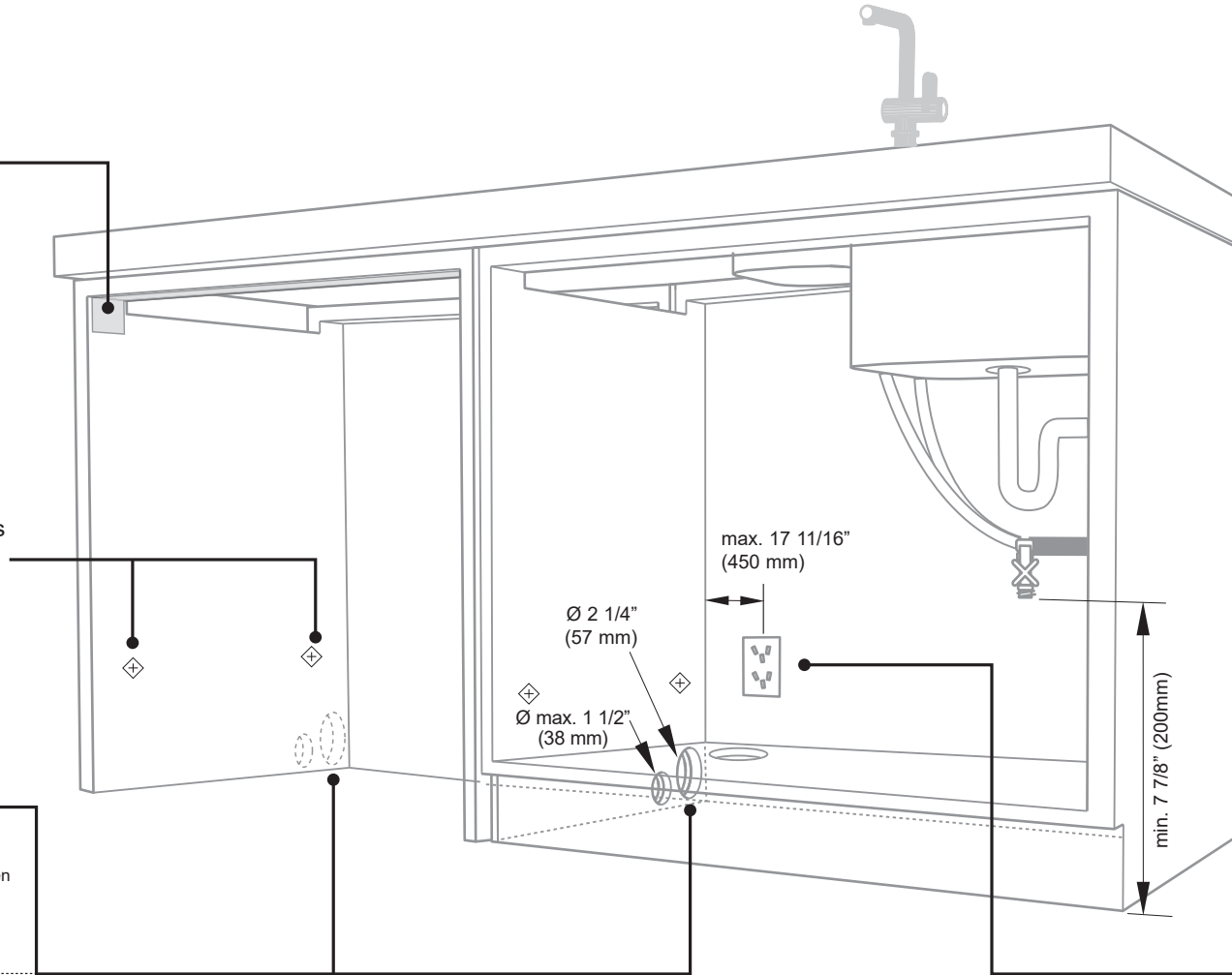
**IMPORTANT**  
Incorrect placement of the hole will result in damage to hoses.



### Service Holes

Can be located either side of dishwasher, close to the rear face and the floor, as illustrated, for access to the water supply, drain and power outlet. The small hole is for the power cord only.

- If the hole is through wood, make sure its edges are smooth and rounded.
- If the hole is through metal, ensure you fit the supplied Edge Protector to prevent damage to the power cord.



### Water Connection

Recommended **HOT**  
(Maximum 140°F/60°C).  
Supplied hose to suit 3/8" (9 mm) male compression fitting.

### Water Pressure

Max. 1 MPa (145 psi)  
Min. 0.03 MPa (4.3 psi)

### Kosher requirements

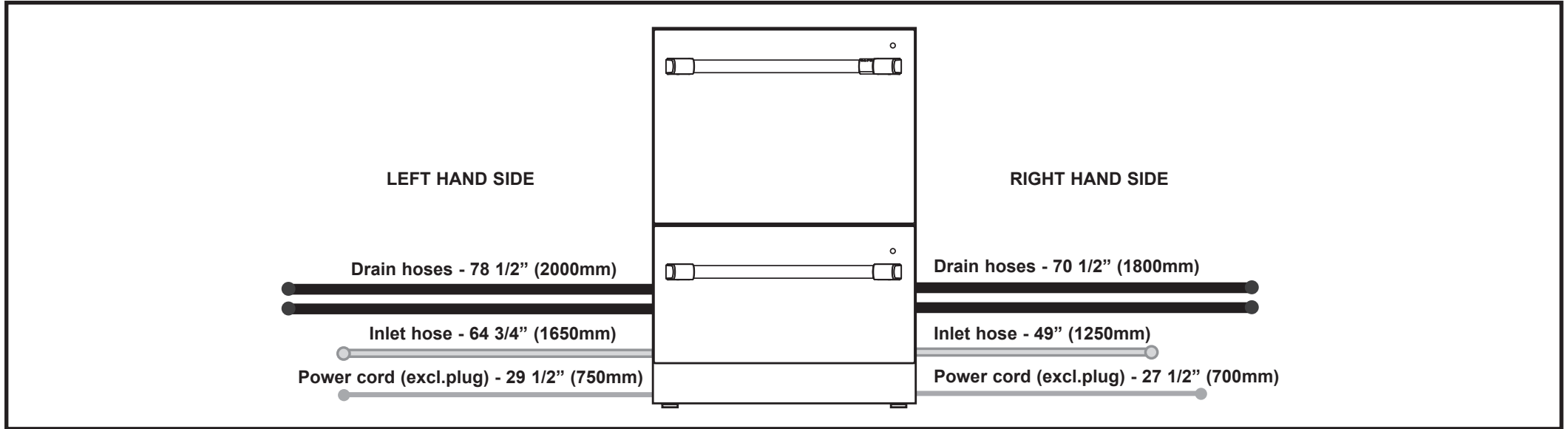
Drains will need to be separated to satisfy kosher requirements. We suggest you confirm acceptability with your local rabbi in respect to kosher installations.

### IMPORTANT

The power outlet must be located in a cabinet adjacent to the dishwasher cavity.  
**110-120 VAC max. 15 A**

# Installation Preparation

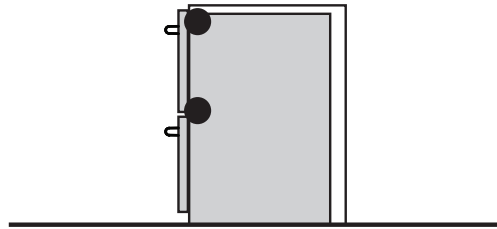
## MAXIMUM DISTANCE OF HOSES AND CORD FROM CHASSIS EDGE



# Installation Instructions

CHOOSE WHICH INSTALLATION METHOD (A) OR (B) IS MOST SUITABLE FOR YOUR CABINETRY

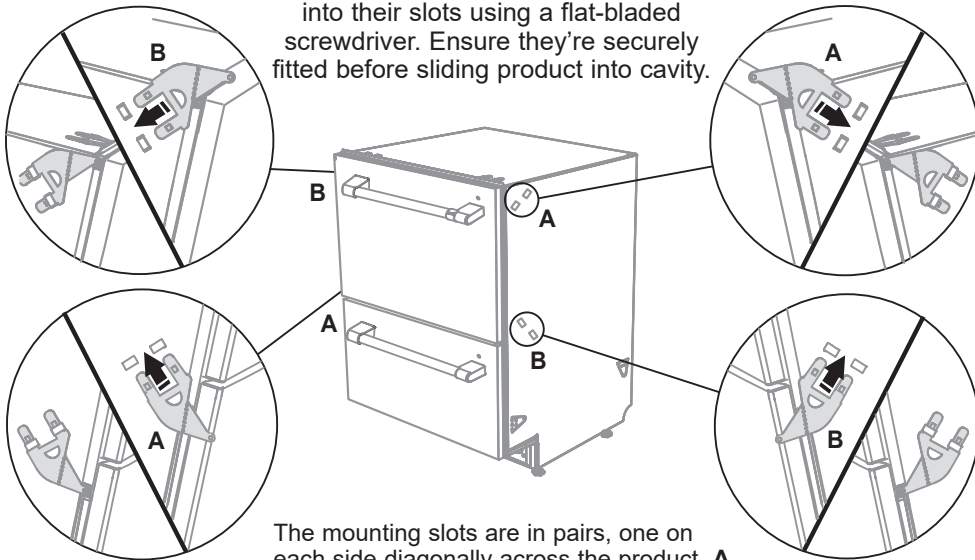
## A RECOMMENDED METHOD (A) - SECURE WITHOUT DRAWER REMOVAL (FRAMELESS CABINETRY ONLY)



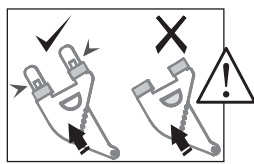
### OPTION A - RECOMMENDED

#### A1 ATTACH SIDE MOUNTING BRACKETS

Clip all four side mounting brackets into their slots using a flat-bladed screwdriver. Ensure they're securely fitted before sliding product into cavity.



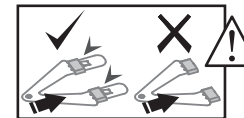
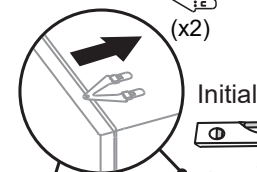
The mounting slots are in pairs, one on each side diagonally across the product. **A** bracket must match **A** slot and **B** bracket must match **B** slot.



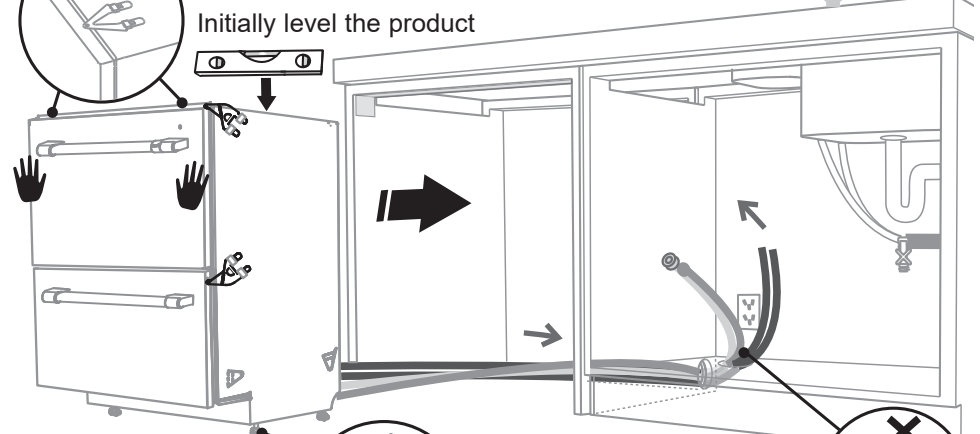
When fitting brackets, ensure the ends are not pushed down into the chassis.

#### A2 PULL HOSES THROUGH AND PUSH UNIT INTO THE CAVITY

Optional - Attach the two top mounting brackets

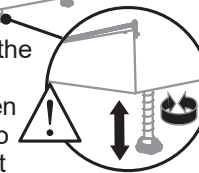


When fitting brackets, ensure the ends are not pushed down into the chassis.



Initially level the product

You can raise or lower the product by twisting the feet. Then take care when pushing the product into the cavity that you do not bend the feet.



As you push product in, pull through hoses and cord, ensuring they don't get kinked or twisted.

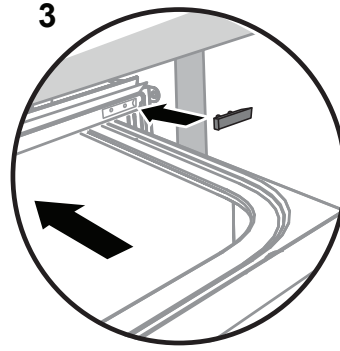
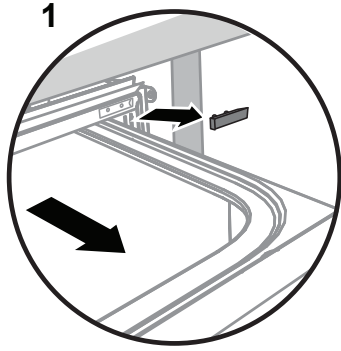


# Installation Instructions

## OPTION A - RECOMMENDED (CONTINUED)

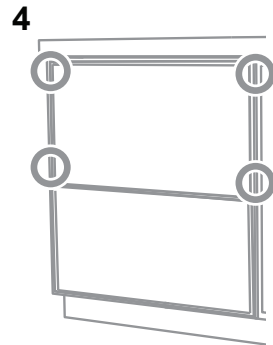
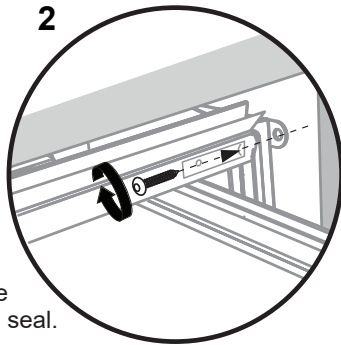
### A3 SECURE TO THE SIDE CABINETRY - OPTION

Open the drawer halfway. Using a flat bladed screwdriver, pry the grey rubber plug out of the trim moulding.



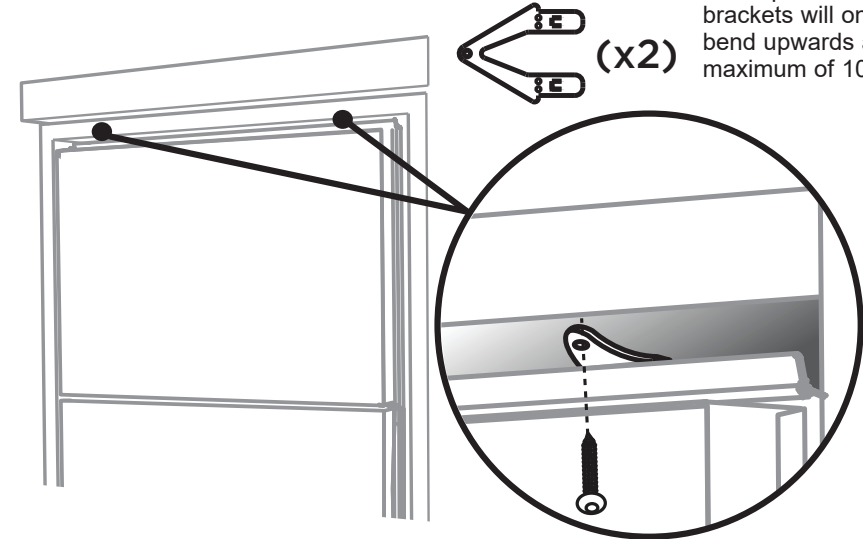
Replace the grey rubber plug back into the trim moulding and ensure the trim seal is facing forward.

Using a small Philips screwdriver, screw through the trim moulding, securing the side mounting bracket to the cabinetry. Do not damage the rubber trim seal.



Repeat for all four brackets.

### SECURE TO THE ABOVE CABINETRY - OPTION

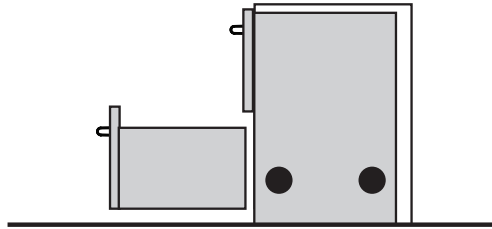


**AFTER SECURING, REFER TO THE, "FIT THE SUPPLIED TOEKICK PANEL" STEP**

# Installation Instructions

CHOOSE WHICH INSTALLATION METHOD (A) OR (B) IS MOST SUITABLE FOR YOUR CABINETRY

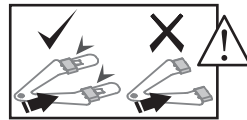
## B ALTERNATE METHOD (B) - SECURE BY REMOVING THE LOWER DRAWER



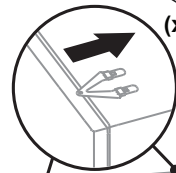
### OPTION B - ALTERNATE METHOD

#### B1 PULL HOSES THROUGH AND PUSH UNIT INTO THE CAVITY

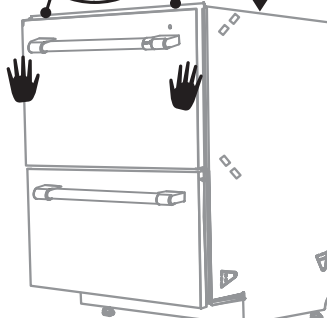
Optional - Attach the two top mounting brackets (x2)



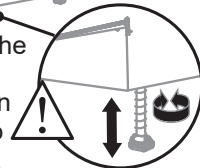
When fitting brackets, ensure the ends are not pushed down into the chassis.



Initially level the product



You can raise or lower the product by twisting the feet. Then take care when pushing the product into the cavity that you do not bend the feet.



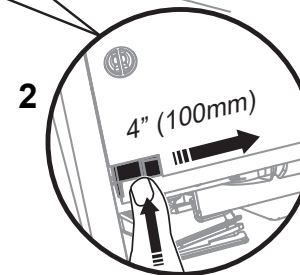
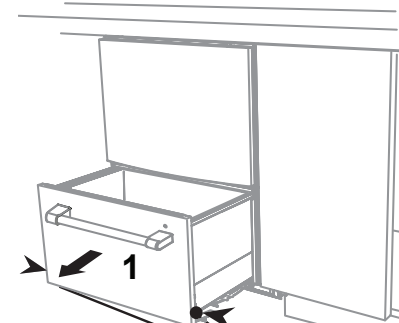
As you push product in, pull through hoses and cord, ensuring they don't get kinked or twisted.



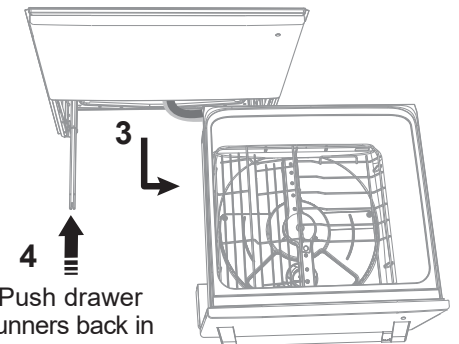
#### B2 REMOVE THE LOWER DRAWER

To prevent kinked hoses

Either sit the drawer down on the left hand side (recommended) or rotate the drawer clockwise, resting it on its side after removal.

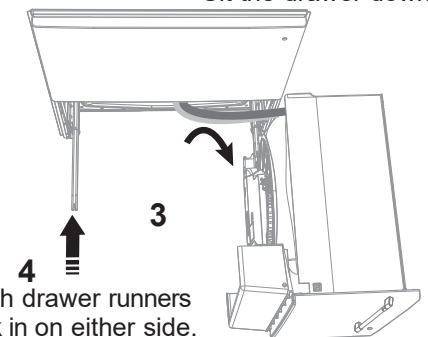


Press the release tabs in on either side and push back to release drawer from runners. Lift drawer off runners.



Push drawer runners back in on either side.

Sit the drawer down



Push drawer runners back in on either side.

Rotate the drawer clockwise (max. 90°) and rest on side.

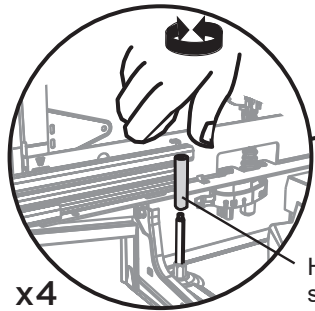


# Installation Instructions

## OPTION B - ALTERNATE METHOD (CONTINUED)

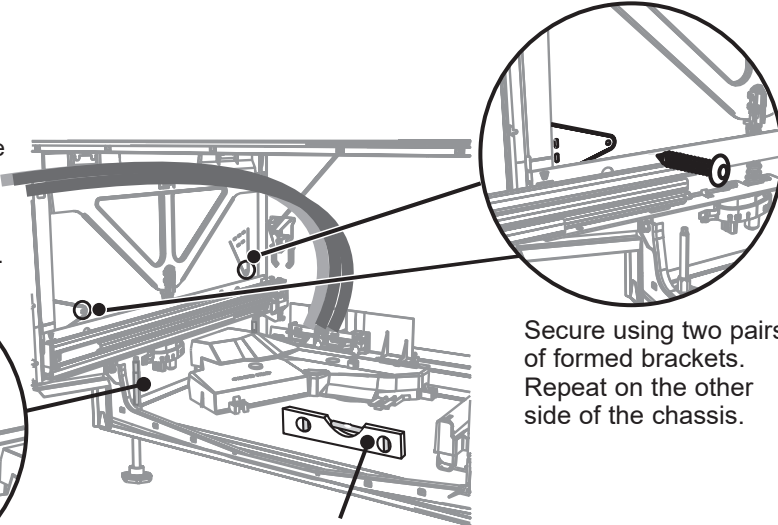
### B3 SECURE TO THE SIDE CABINETRY - OPTION

For further adjustment, using the most appropriate length Hexagonal socket supplied, fully extend levelling feet up to required distance by hand.



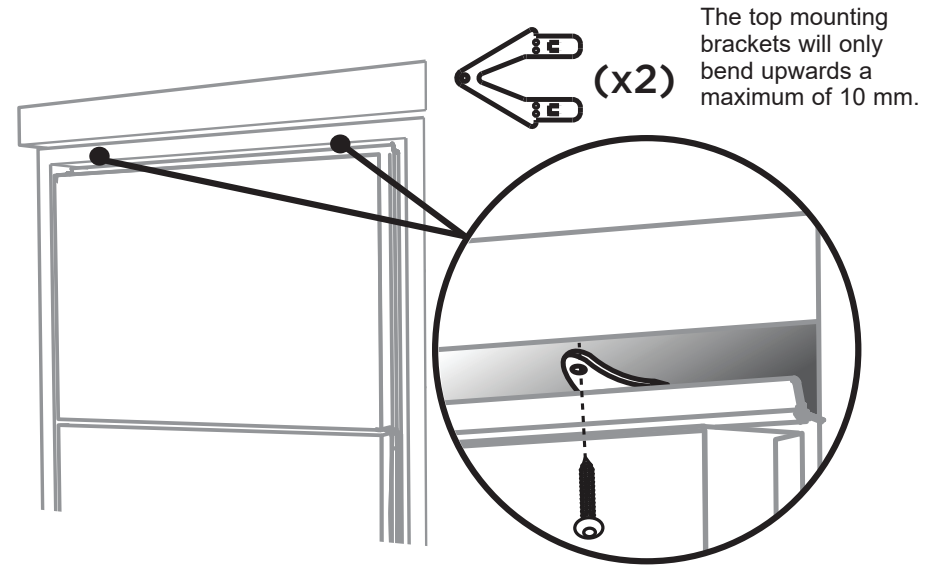
Hexagonal socket

Ensure product is level and aligning with cabinetry.



Secure using two pairs of formed brackets. Repeat on the other side of the chassis.

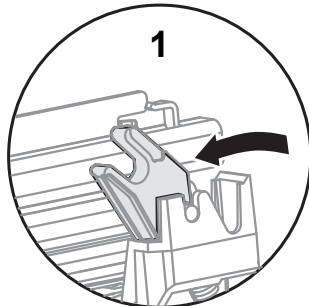
### SECURE TO THE ABOVE CABINETRY - OPTION



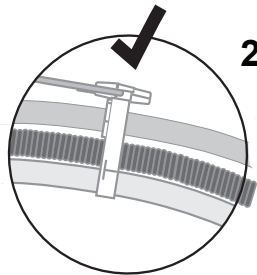
### B4 REFIT THE DRAWER ONTO THE RUNNERS

Lift or rotate counterclockwise the drawer back onto the drawer runners on either side.

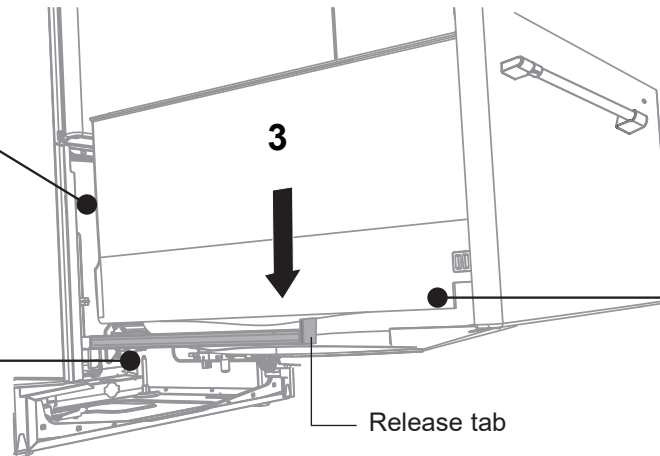
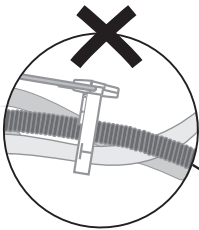
Before refitting the drawer, ensure the hoses are not twisted and the latches at the rear of each drawer runner are facing forward.



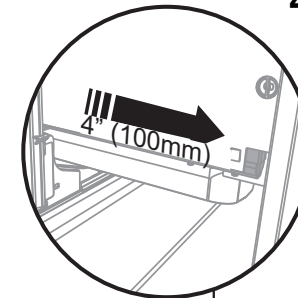
1



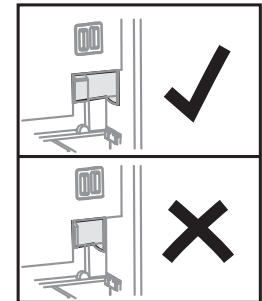
2



3



4



Slip your finger under the slide and pull the release tabs forward 4" (100mm) on both sides. Ensure the tabs are fully pulled forward and click into place.

# Installation Instructions

## FIT THE SUPPLIED TOEKICK PANEL

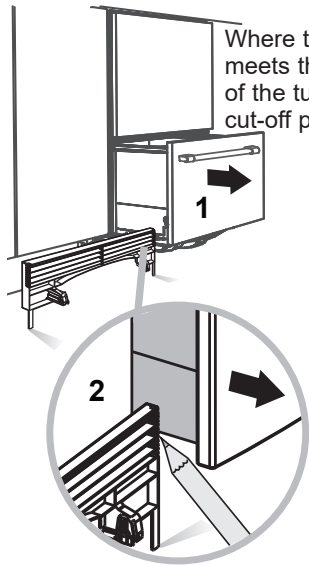
### INSTALL TOEKICK

**⚠ WARNING**  - Cut Hazard

Take care - Panel edges are sharp.  
Failure to use caution could result in injury or cuts.

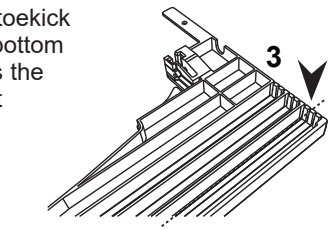
**⚠ ADVERTENCIA**  - Peligro de corte

Tenga cuidado - Los bordes del panel son afilados.  
No tener cuidado podría resultar en heridas o cortes.

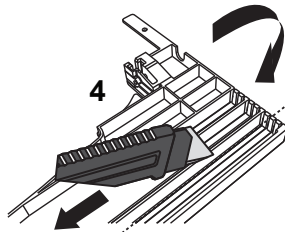


Where the toekick meets the bottom of the tub is the cut-off point

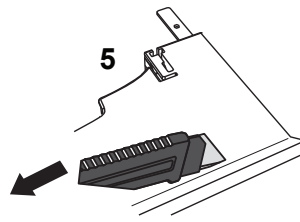
Mark this point on the toekick with a pencil



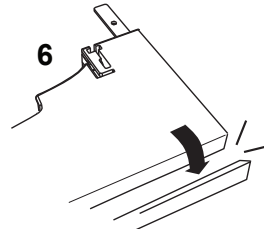
Lay the toekick face down on a chopping board or similar



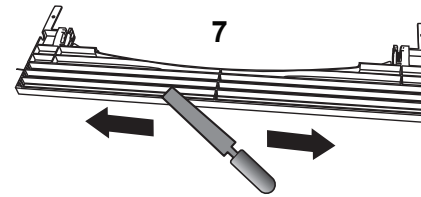
Score along the marked cutoff line with a knife



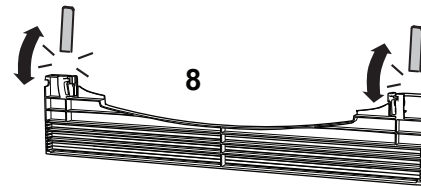
Turn the toekick over and score along the same line



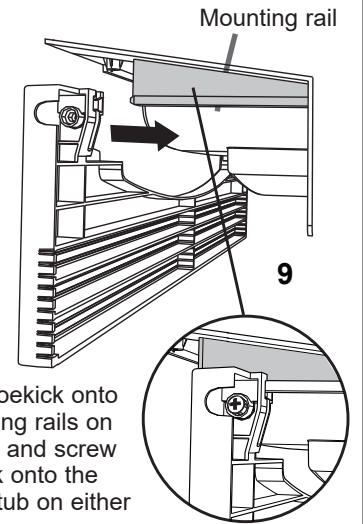
Gently snap off the excess



Smooth the edges with a file.  
Be careful of sharp edges.



Snap off the two end tabs



Slide the toekick onto the mounting rails on either side and screw the toekick onto the bottom of tub on either side.

**IMPORTANT**  
Do not overtighten screw.

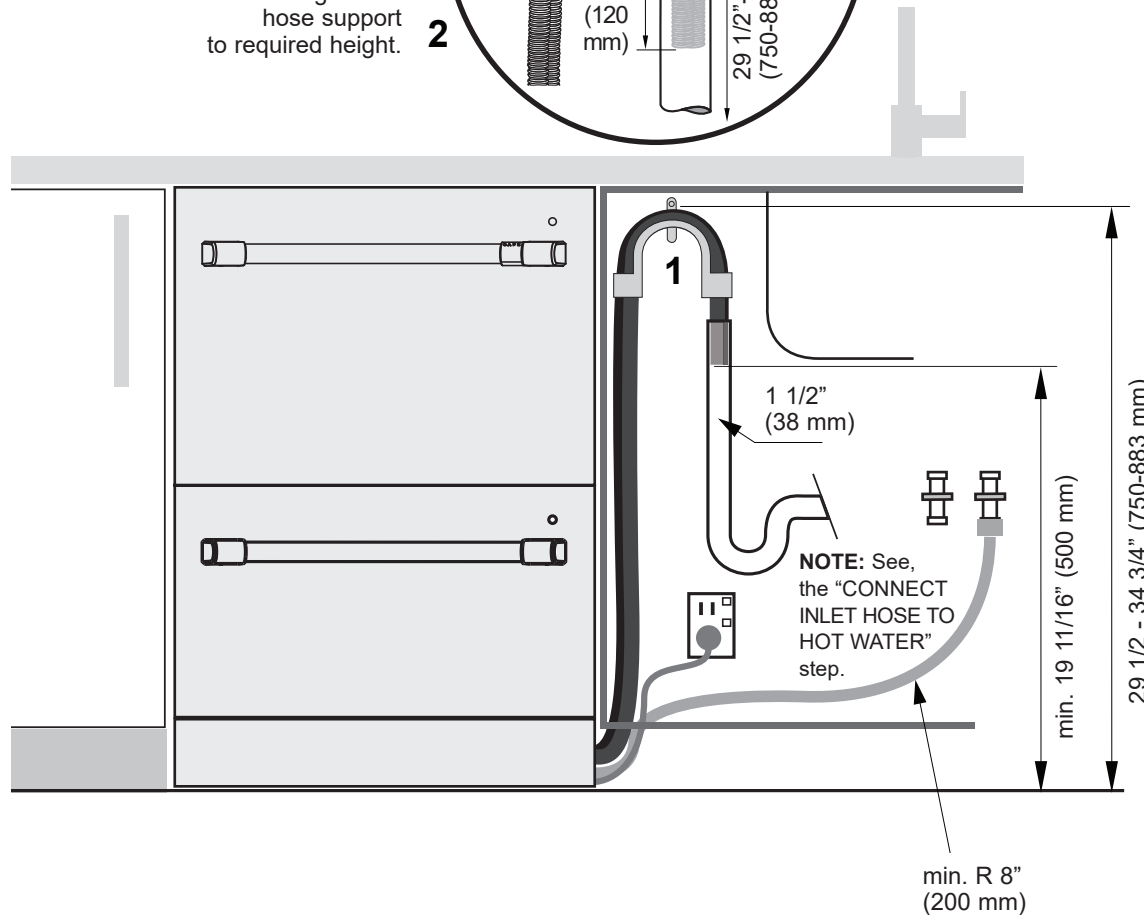
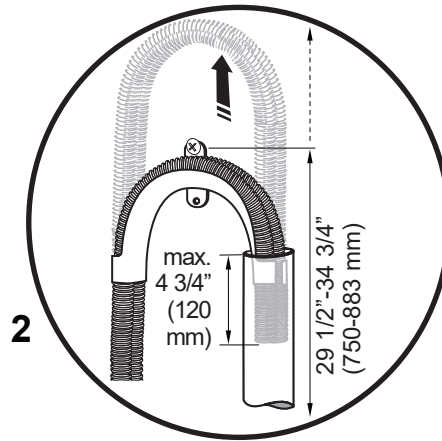
# Installation Instructions

THERE ARE THREE DIFFERENT PLUMBING AND DRAINAGE OPTIONS - CHOOSE WHICH IS MOST SUITABLE

## DRAINAGE OPTION 1 - Dishwasher and Ø 1 1/2" (38 mm) Standpipe

Screw Drain hose support to back wall at correct height.

If space is limited for fixing, push hose through drain hose support to required height.



### IMPORTANT

Ensure that drain hose is installed as close to the underside of the countertop as possible. This will ensure no waste re-enters the drain hose in the event of poor flow or a blockage in the plumbing.

Ensure the drain hose does not extend into water retained in the trap; an air gap is required to prevent waste water from siphoning back into the tub.

### IMPORTANT

Ensure that drain connection will comply with local plumbing regulations.

# Installation Instructions

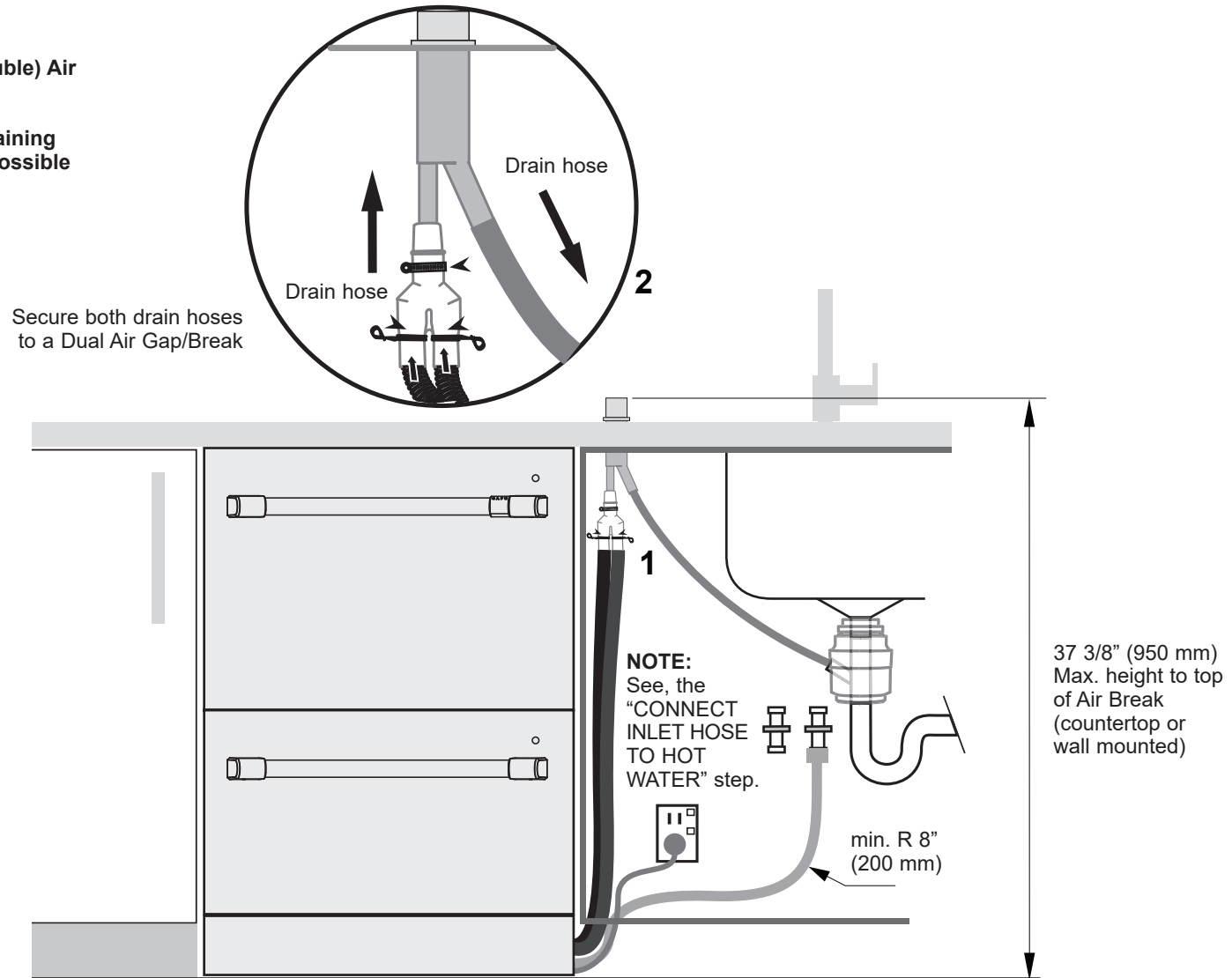
THERE ARE THREE DIFFERENT PLUMBING AND DRAINAGE OPTIONS - CHOOSE WHICH IS MOST SUITABLE

## DRAINAGE OPTION 2 - Dishwasher using Dual Air Gap/Break with Drain Hose Joiner

### IMPORTANT

We recommend the use of a commercially available Dual (Double) Air Gap/Break Kit.

This provides totally separate draining for each drawer and eliminates possible "cross draining" problems



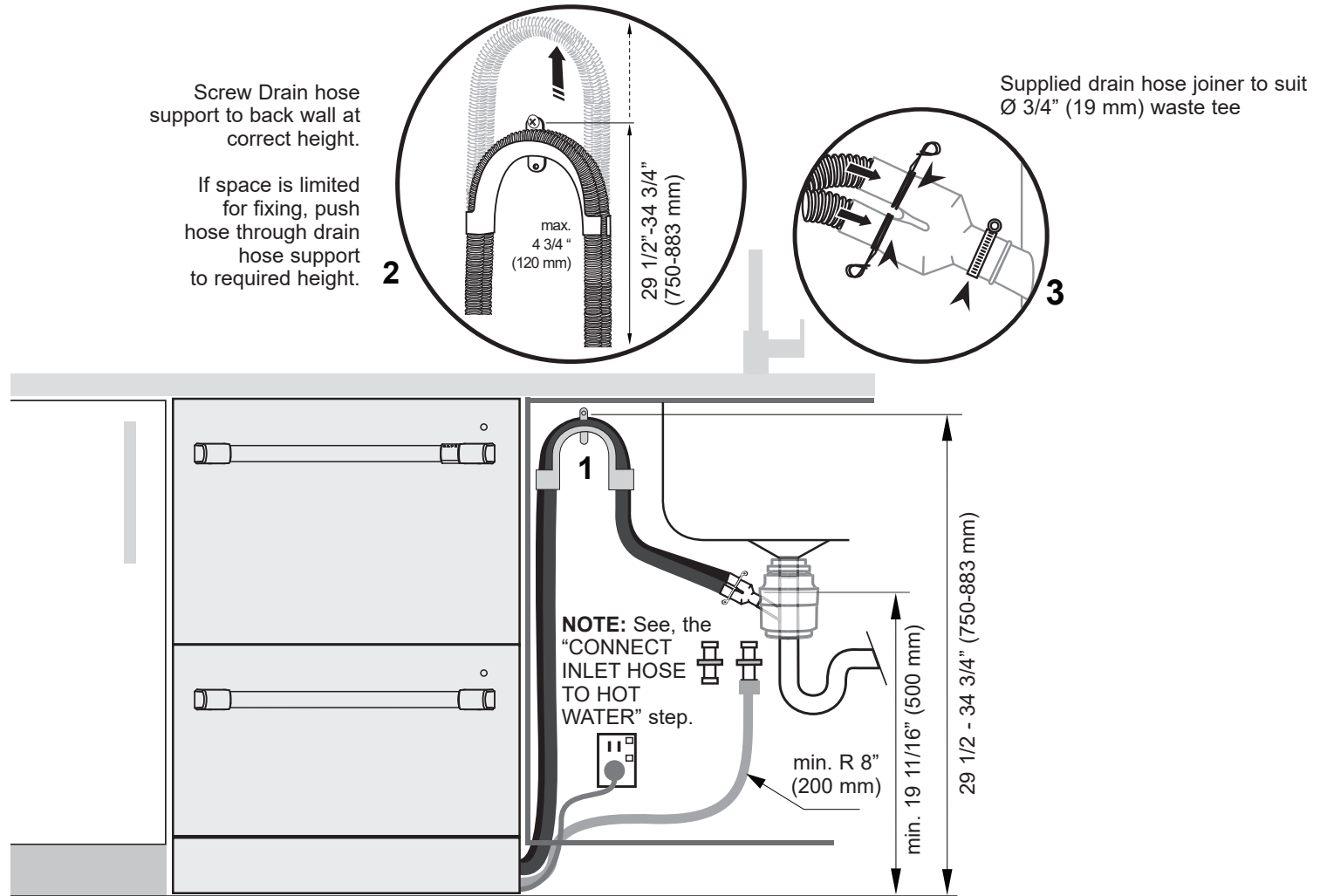
### IMPORTANT

Ensure that drain connection will comply with local plumbing regulations.

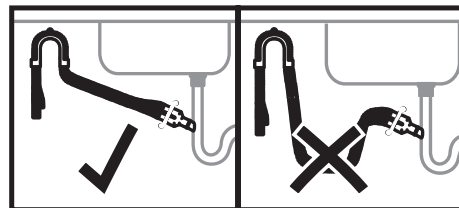
# Installation Instructions

THERE ARE THREE DIFFERENT PLUMBING AND DRAINAGE OPTIONS - CHOOSE WHICH IS MOST SUITABLE

## DRAINAGE OPTION 3 - Dishwasher using drain hose joiner onto sink trap/waste tee



**IMPORTANT**  
Ensure that drain connection will comply with local plumbing regulations.

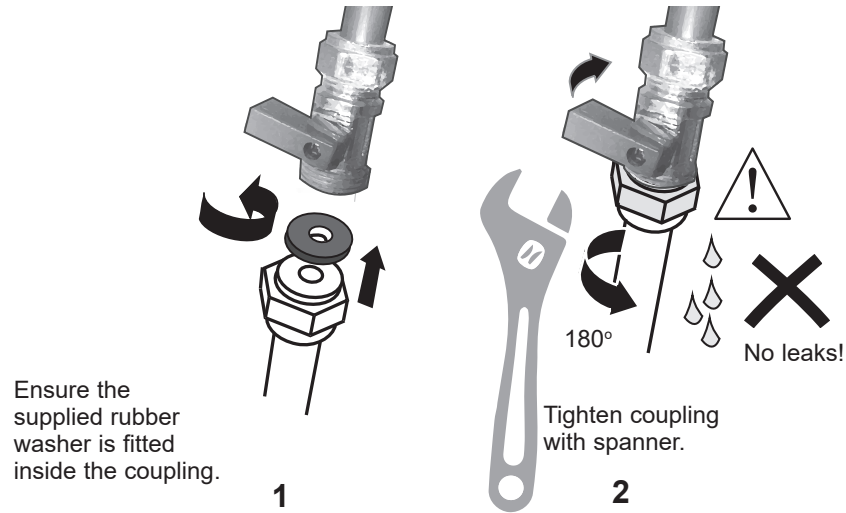


Ensure drain hose is routed straight to the joiner so that waste water does not accumulate in the hose. Remove excess drain hose material if necessary. **Do not shorten the inlet hose.**

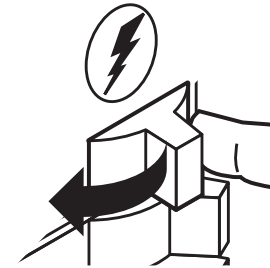
# Installation Instructions

## CONNECT WATER AND SWITCH DISHWASHER ON

### CONNECT INLET HOSE TO HOT WATER



### SWITCH PRODUCT ON



## TROUBLESHOOTING

- **Excessive water remaining above the filter plate, after the rinse cycle. (This is displayed as an A3 fault. See Owner's Manual, "How to attend to a fault".)**  
Check for a kinked drain hose, blocked or incorrectly drilled out waste connection, highloop not properly installed, drain hose not routed correctly or spray arms not in place.
- **No water supply. (This is displayed as an A1 fault. See Owner's Manual, "How to attend to a fault".)**  
Check water is connected and turned on.
- **The dishwasher is beeping continuously**  
There is a fault. See section 'How to attend to a fault' in the User guide for further information and instructions.
- **No program indicator lights up when the drawer is opened**  
Ensure power is connected and is switched on. If it is and still no indicator lights up, see the 'Preference Options' section of the **Quick Start Guide**.  
An option called 'Open drawer auto power-on' may need to be turned on.
- **Water around water supply and drainage connections**  
Check connections, existing plumbing and hoses for leaks. Check rubber washer and hose clamp are correctly fitted.
- **If product is tipping**  
Ensure the product is secured to the cabinetry.
- **If front panels are misaligned**  
Check and relevel product. Check the cabinetry is square. For Integrated models, check and adjust front panel alignment if necessary.
- **Drawer doesn't close properly**  
Ensure nothing is obstructing the drawer from closing properly eg hoses or drawer latches.
- If a problem occurs, consult the 'Troubleshooting' section of the User guide.
- If after checking these points you still need assistance, please refer to the Owner's Manual for warranty details and your nearest Authorized Service Center, or contact us through our website, listed below.



# Installation Instructions

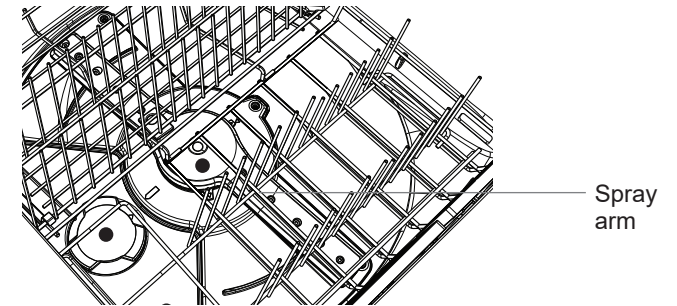
## FINAL CHECKLIST

### TO BE COMPLETED BY THE INSTALLER



- Check all parts are installed.
- Ensure that all panels and parts thereof are secure and final electrical tests have been conducted in accordance with local electrical regulations.
- Ensure product is level, securely fastened to the cabinetry and opens and closes freely. The drawers must be free to fully close with no resistance from the cabinetry.
- Ensure inlet hose to water supply has supplied rubber washer fitted, and that it's tightened a further half turn after seal contact.
- Ensure any knockouts or plugs in drain connection have been drilled out and drain connection has been made.
- The drain hose joiner must not support the weight of excess hose material. Keep drain hose as fully extended as possible to prevent sagging. Any excess length of drain hose should be kept on the dishwasher side of the highloop.
- If connecting the drain hose to the sink trap, ensure the Highloop is a minimum 150 mm higher than the drain hose joiner.
- Ensure any packaging or tape securing the racks or spray arms is removed from the drawers.
- Water softener models only: adjust the water softener setting from the default setting to suit the water hardness of the area. See the **Quick Start Guide** and section 'Water softener' in the User guide.

- Turn on the power and water supplies, then open the drawers. You should hear a beep and see a program indicator light up on the internal control panel.
- Check the spray arms are in place, mounted correctly and free to rotate, by physically rotating by hand.



- Add three cups of water into the drawer. Press >> until the indicator of the 'Rinse' program lights up. Close the drawer and press ▶|| to start the program. Repeat for the other drawer.
- After the Rinse program has finished, ensure the dishwasher has run and drained correctly.
- Check the water supply has correctly shut off and drainage connection for leakage.

# Notes

---

# Notes

---

