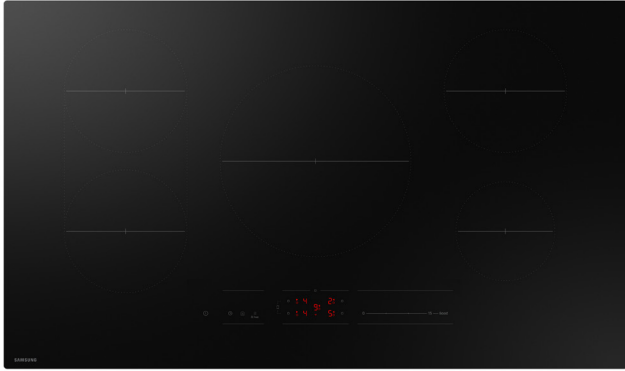


CC70F36S2D

SAMSUNG

36" Induction Cooktop with Anti-Scratch Matte Glass and Sync Elements



Available Color



Black
CC70F36S2D

Features

- 5-Element Cooktop with Sync Element
- Anti-Scratch Matte Glass Cooktop
- Digital Touch Controls
- 15 Power Levels + Boost Mode

Rating



ENERGY STAR®
Rated:

195 kWh/yr

Convenience

- Wi-Fi Connectivity
- Hot Surface Indicator Light
- Safety Shutoff
- Pause
- Quick Stop
- Simmer
- Countdown Timer

Specifications

Total Power

8.9 kW

Power Source

240V / 60 Hz / 40A

5-Element Induction Cooktop

- **Left Front:**
7", 1.8 kW (Boost - 2.3 kW)
- **Left Rear:**
7", 1.8 kW (Boost - 2.3 kW)
 - **Left Sync Burner (Front + Rear):**
7" x 15", 3.4 kW (Boost - 3.6 kW)
- **Right Front:**
6", 1.2 kW (Boost - 1.5 kW)
- **Right Rear:**
7", 1.8 kW (Boost - 2.3 kW)
- **Center:**
11", 2.3 kW (Boost - 4.3 kW)

Dimensions

Product Dimensions & Weight (WxHxD)

Outside (Max) Cooktop Dimensions:

36" x 4¹/₈" x 21¹/₄"

Cooktop Cutout Dimensions:

33⁷/₈" - 34" x 4¹/₈" x 19¹/₈" - 19³/₁₆"

Weight: 46.3 lbs

Shipping Dimensions & Weight (WxHxD)

Dimensions: 40¹/₈" x 9¹/₁₆" x 25¹/₈"

Weight: 51.6 lbs

Warranty

One (1) Year All Parts and Labor

UPC

| Color | Model # | UPC Code |
|-------|------------|--------------|
| Black | CC70F36S2D | 887276990316 |

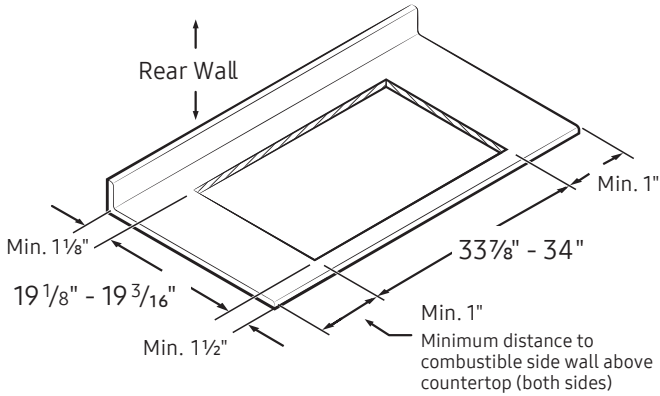
CC70F36S2D

SAMSUNG

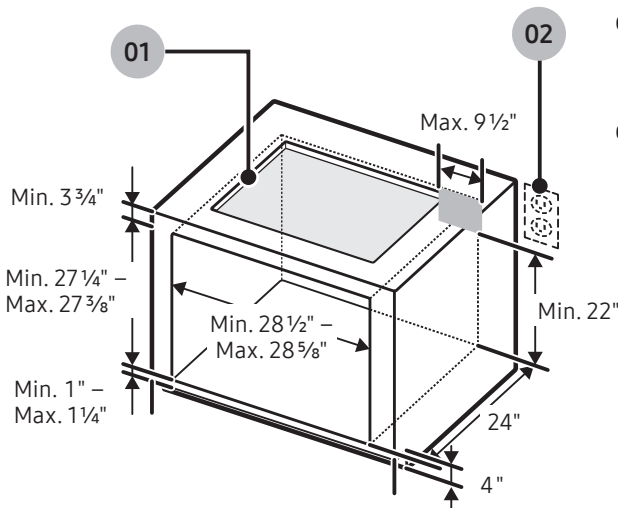
36" Induction Cooktop with Anti-Scratch Matte Glass and Sync Elements

Installation Specifications

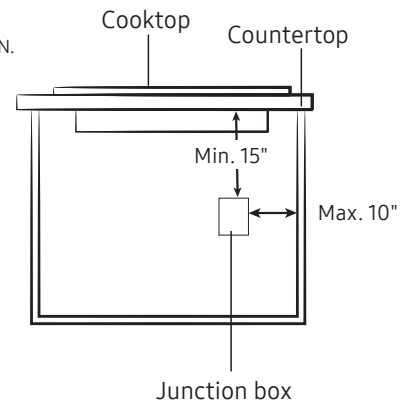
Countertop cutout and minimum clearance dimensions:



Installing Over a Single Oven

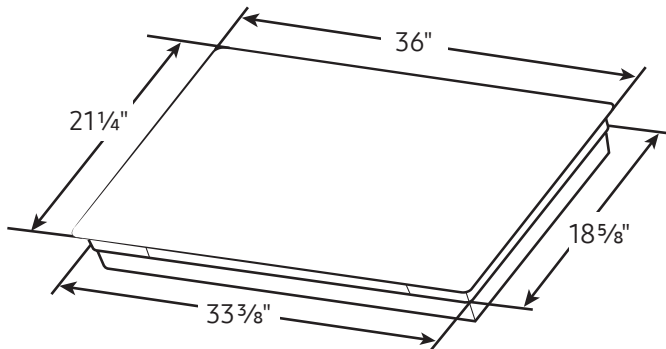


- 01 See built-in oven Installation Manual for complete installation instructions. See label on top of approved built-in oven models.
- 02 Refer to Installation Manual of OVEN.

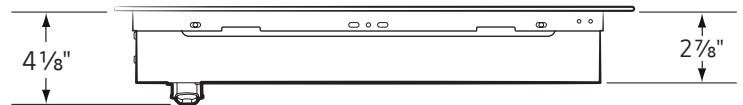


Dimensions

Front View



Side View



Actual color may vary. Design, specifications, and color availability are subject to change without notice. Non-metric weights and measurements are approximate.

©2025 Samsung Electronics America, Inc. 85 Challenger Road, Ridgefield Park, NJ 07660. Tel: 800-SAMSUNG. samsung.com. Samsung is a registered trademark of Samsung Electronics Co. Ltd.



ADA Compliant