



# High-Efficiency Top-Loading Washer Use and Care Guide

## Laveuse à chargement par le dessus À haute efficacité Guide d'utilisation et d'entretien

## Lavadora de carga superior de gran eficacia Manual de uso y cuidado

### Table of Contents

WASHER SAFETY .....	2
CONTROL PANEL AND FEATURES .....	3
CYCLE GUIDE.....	3
ELECTRICAL REQUIREMENTS.....	4
USING YOUR WASHER.....	4
WASHER MAINTENANCE .....	6
TROUBLESHOOTING.....	8
ASSISTANCE OR SERVICE.....	36

### Table des matières

SÉCURITÉ DE LA LAVEUSE .....	12
TABLEAU DE COMMANDE ET CARACTÉRISTIQUES.....	13
GUIDE DE PROGRAMMES .....	14
SPÉCIFICATIONS ÉLECTRIQUES .....	15
UTILISATION DE LA LAVEUSE .....	15
ENTRETIEN DE LA LAVEUSE .....	17
DÉPANNAGE .....	19
ASSISTANCE OU SERVICE.....	36

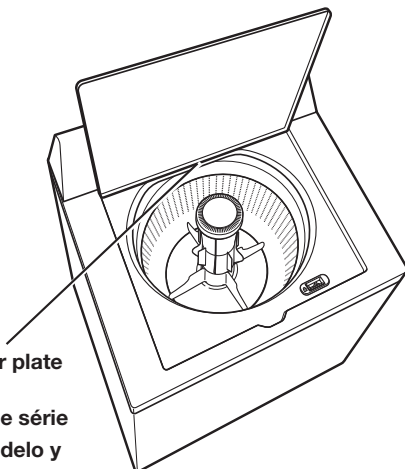
### Índice

SEGURIDAD DE LA LAVADORA.....	24
PANEL DE CONTROL Y CARACTERÍSTICAS .....	25
GUÍA DE CICLOS.....	26
REQUISITOS ELÉCTRICOS .....	27
USO DE SU LAVADORA .....	27
MANTENIMIENTO DE LA LAVADORA .....	29
SOLUCIÓN DE PROBLEMAS.....	31
AYUDA O SERVICIO TÉCNICO .....	37

### Model and Serial Number Location

#### Emplacement des numéros de modèle et de série

#### Ubicación del número de modelo y de la serie



Model and serial number plate  
Plaque signalétique des numéros de modèle et de série  
Placa del número de modelo y de la serie

For future reference, please record the numbers below:

Model Number \_\_\_\_\_  
 Serial Number \_\_\_\_\_  
 Key Code Number \_\_\_\_\_

Pour référence ultérieure, inscrire les numéros ci-dessous :

Numéro de modèle \_\_\_\_\_  
 Numéro de série \_\_\_\_\_  
 Numéro de code d'identification \_\_\_\_\_

Para referencia futura, anote los siguientes números:

Número de modelo \_\_\_\_\_  
 Número de serie \_\_\_\_\_  
 Número de código \_\_\_\_\_

# Washer Safety

## Your safety and the safety of others are very important.

We have provided many important safety messages in this manual and on your appliance. Always read and obey all safety messages.



This is the safety alert symbol.

This symbol alerts you to potential hazards that can kill or hurt you and others.

All safety messages will follow the safety alert symbol and either the word "DANGER" or "WARNING." These words mean:

**⚠ DANGER**

**You can be killed or seriously injured if you don't immediately follow instructions.**

**⚠ WARNING**

**You can be killed or seriously injured if you don't follow instructions.**

All safety messages will tell you what the potential hazard is, tell you how to reduce the chance of injury, and tell you what can happen if the instructions are not followed.

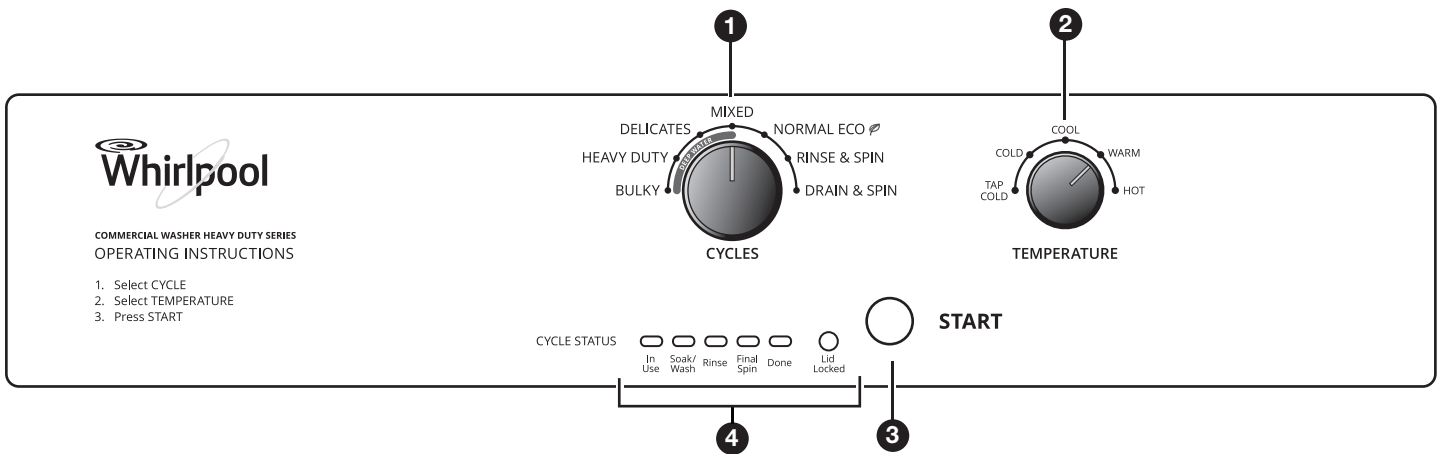
## IMPORTANT SAFETY INSTRUCTIONS

**WARNING:** To reduce the risk of fire, electric shock, or injury to persons when using the washer, follow basic precautions, including the following:

- Read all instructions before using the washer.
- Do not wash articles that have been previously cleaned in, washed in, soaked in, or spotted with gasoline, dry-cleaning solvents, other flammable, or explosive substances as they give off vapors that could ignite or explode.
- Do not add gasoline, dry-cleaning solvents, or other flammable, or explosive substances to the wash water. These substances give off vapors that could ignite or explode.
- Under certain conditions, hydrogen gas may be produced in a hot water system that has not been used for 2 weeks or more. **HYDROGEN GAS IS EXPLOSIVE.** If the hot water system has not been used for such a period, before using the washing machine, turn on all hot water faucets and let the water flow from each for several minutes. This will release any accumulated hydrogen gas. As the gas is flammable, do not smoke or use an open flame during this time.
- Do not allow children to play on or in the washer. Close supervision of children is necessary when the washer is used near children.
- Before the washer is removed from service or discarded, remove the door or lid.
- Do not reach into the washer if the drum, tub or agitator is moving.
- Do not install or store the washer where it will be exposed to the weather.
- Do not tamper with controls.
- Do not repair or replace any part of the washer or attempt any servicing unless specifically recommended in this manual or in published user-repair instructions that you understand and have the skills to carry out.
- See Installation Instructions for grounding instructions.
- **WARNING:** Do not wash water-resistant or water repellent-type clothing. Failure to closely follow these instructions may result in an abnormal vibrating and out-of-balance condition that could result in physical injury, property damage, and/or appliance damage.

**SAVE THESE INSTRUCTIONS**

# Control Panel and Features



Not all features and options are available on all models. Appearance may vary.

## 1 WASH CYCLE KNOB

Use the Wash Cycle knob to select cycles on your washer. Knob does not advance during the progress of the cycle see cycle status lights for each stage of the process. See “Cycle Guide” for detailed descriptions of cycles. Select the cycle most suitable for your load. Items need to move freely. Tightly packing can lead to poor cleaning performance and may increase wrinkling and tangling.

## 2 TEMPERATURE

Temperature senses and maintains uniform water temperatures by regulating incoming hot and cold water. Select a wash temperature based on the type of fabric and soils being washed. For best results, and following the garment label instructions, use the warmest wash water safe for your fabric.

- Normal Eco, Warm, and Hot water may be cooler than your previous washer. Deep Water cycles will provide higher temperatures for the wash cycle.
- Even in a cold and cool water wash, some warm water may be added to the washer to maintain a minimum temperature.

## 3 START BUTTON

Press to start the selected cycle. To unlock the lid during Final Spin, press and hold for 3 seconds to pause the cycle. Press and hold for 10 seconds to cancel a cycle.

**NOTE:** The lid will unlock once the basket stops spinning.

## 4 CYCLE STATUS LIGHTS INDICATOR



The Cycle Status lights show the progress of a cycle. At each stage of the process, you may notice sounds or pauses that are different from traditional washers.

### IN USE

This LED illuminates after the cycle starts and remains illuminated until the cycle is complete.

### SOAK/WASH

This LED remains illuminated during the Wash portion of the cycle.

### RINSE

This LED remains illuminated during the Rinse portion of the cycle. Fabric softener can be added at this stage of the cycle.

### FINAL SPIN/LID LOCKED

The Final Spin LED and the Lid Locked LED will both remain illuminated during this portion of the cycle. If you need to open the lid prior to cycle completion, press and hold START for 3 seconds.

### DONE

This LED illuminates when the cycle is complete and will turn off when the lid is open.

**WARNING:** Do not wash water-resistant or water repellant-type clothing. Failure to closely follow these instructions may result in an abnormal vibrating and out-of-balance condition that could result in physical injury, property damage, and/or appliance damage.

# Cycle Guide

For best fabric care, choose the cycle that best fits the load being washed. Not all cycles and options are available on all models.


Items to wash:	Cycle:	Wash Temperature*:	Spin Speed:	Cycle Details:
Cottons, linens	Normal Eco	Hot Warm Cool Cold Tap Cold	High	Use this cycle for normally soiled cottons.
Mixed-garment loads	Mixed	Hot Warm Cool Cold Tap Cold	High	Use this cycle for a wide variety of mixed-garment loads. This cycle features a deep bath rinse.

Items to wash:	Cycle:	Wash Temperature*:	Spin Speed:	Cycle Details:
Sturdy items and mixed-garment loads	Heavy Duty	Hot Warm Cool Cold Tap Cold	High	Use this cycle for heavily soiled or sturdy items. This cycle features a deep bath rinse.
No-iron fabrics, perm. press, synthetics, machine-wash silks, hand-washed fabrics	Delicates	Hot Warm Cool Cold Tap Cold	Low	Use this cycle to wash lightly soiled loads of no-iron fabrics such as sport shirts, blouses, casual business clothes, permanent press, and blends. Also use to wash lightly soiled garments indicating "Machine Washable Silks" or "Gentle" cycle on the care label. Place small items in mesh garment bags before washing. This cycle features a deep bath rinse.
Large items such as sheets, sleeping bags, small comforters, jackets, small washable rugs	Bulky	Hot Warm Cool Cold Tap Cold	High	Use this cycle to wash large items such as jackets and small comforters. The washer will fill with enough water to wet down the load before the Wash portion of the cycle begins and uses a higher water level than other cycles.
Swimsuits and items requiring rinsing without detergent	Rinse & Spin	Cold	High	Use this cycle to wash swimsuits or items requiring rinsing without detergent. The washer combines a rinse and a high-speed spin for loads requiring an additional rinse cycle or to complete a load after a power interruption. Also, use this cycle for loads that require rinsing only.
Hand-washed items or dripping wet items	Drain & Spin	N/A	High	Use this cycle to drain the washer after cancelling a cycle or completing a cycle after a power interruption. This cycle uses a high-speed spin to reduce drying times for heavy items or hand-washed items.

\*All rinses are cold.

## Electrical Requirements

**⚠ WARNING**



**Electrical Shock Hazard**

**Plug into a grounded 3 prong outlet.**

**Do not remove ground prong.**


**Do not use an adapter.**

**Do not use an extension cord.**

**Failure to follow these instructions can result in death, fire, or electrical shock.**

## Using Your Washer

**⚠ WARNING**



**Fire Hazard**

**Never place items in the washer that are dampened with gasoline or other flammable fluids.**

**No washer can completely remove oil.**

**Do not dry anything that has ever had any type of oil on it (including cooking oils).**

**Doing so can result in death, explosion, or fire.**

### 1. Sort and prepare your laundry



- Empty pockets. Loose change, buttons, or any small object can pass under the agitator and become trapped, causing unexpected sounds.
- Sort items by recommended cycle, water temperature, and colorfastness.

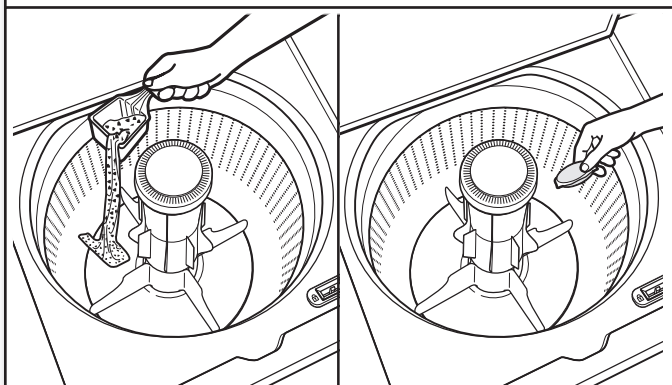
- Separate heavily soiled items from lightly soiled.
- Separate delicate items from sturdy fabrics.
- Do not dry garments if stains remain after washing, because heat can set stains into fabric.
- Treat stains promptly.
- Close zippers, fasten hooks, tie strings and sashes, and remove non-washable trim and ornaments.
- Mend rips and tears to avoid further damage to items during washing.

**Helpful Tips:**

- When washing waterproof or water-resistant items, load evenly.
- Use mesh garment bags to help avoid tangling when washing delicate or small items.
- Turn knits inside out to avoid pilling. Separate lint-takers from lint-givers. Synthetics, knits, and corduroy fabrics will pick up lint from towels, rugs, and chenille fabrics.
- For best performance, heavier items like jeans, towels, and blankets should be placed in first so they are at the bottom of the mixed load.

**NOTE:** Always read and follow fabric care label instructions to avoid damage to your garments.

## 2. Add laundry products



**IMPORTANT:** Add a measured amount of detergent or single-dose laundry packet into the basket.

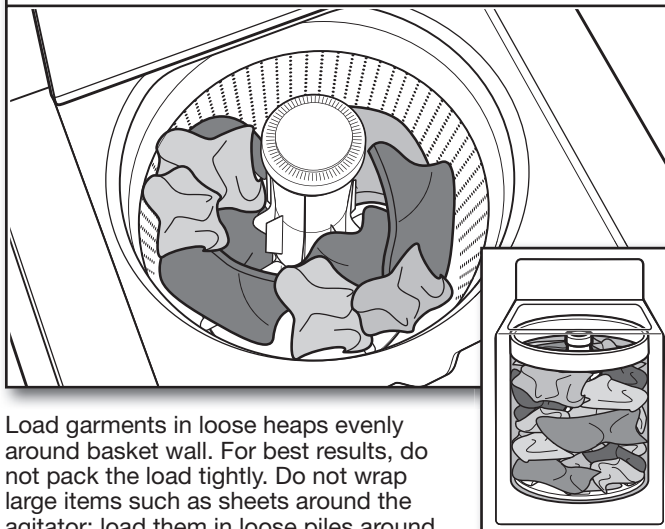
If using Oxi-type boosters, color-safe bleach, or fabric softener crystals, add to the bottom of the washer basket before adding clothes.

If using liquid chlorine bleach (optional), manually add product to wash water.

Do not overfill, dilute, or use more than 1 cup (250 mL) of liquid chlorine bleach. Do not use color-safe bleach or Oxi products in the same cycle with liquid chlorine bleach.

**NOTE:** Follow the manufacturer's instructions to determine the amount of laundry products to use. Manufacturer suggests using HE detergent.

## 3. Load laundry into washer

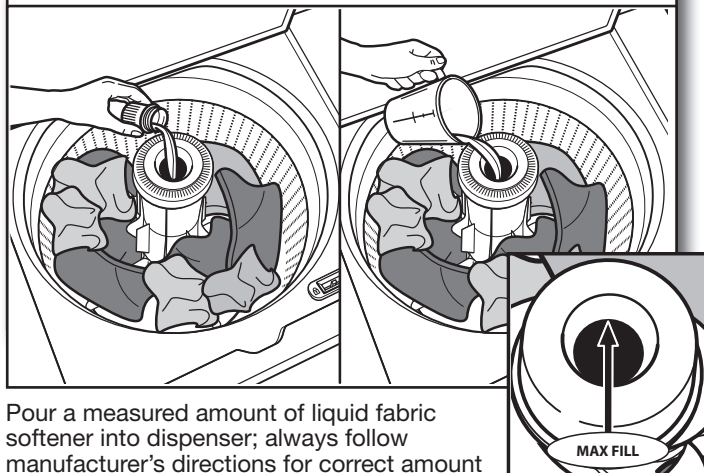


Load garments in loose heaps evenly around basket wall. For best results, do not pack the load tightly. Do not wrap large items such as sheets around the agitator; load them in loose piles around the sides of the basket. Try mixing different sized items to reduce tangling.

**IMPORTANT:** Do not tightly pack or force items into washer. Items need to move freely for best cleaning and to reduce wrinkling and tangling. Load heavier items in first. Do not load above agitator cap. Do not load clothes above white inner collar.

## 4. Adding fabric softener to optional dispenser

**NOTE:** Not all features and options are available on all models. Appearance may vary.



Pour a measured amount of liquid fabric softener into dispenser; always follow manufacturer's directions for correct amount of fabric softener based on your load size.

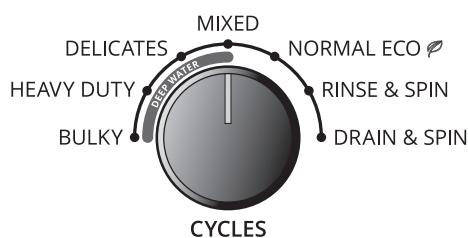
Dilute liquid fabric softener by filling the dispenser with warm water until liquid reaches the underside of the rim. See max fill line arrows.

### Adding Liquid Fabric Softener Manually to Wash Load

During the final rinse, wait until the washer has completed filling. At that time, water valve will shut off and you will not hear any water entering the washer. Lift the lid and add the measured recommended amount of liquid fabric softener. Do not use more than the recommended amount. Close lid.

## 5. Select cycle

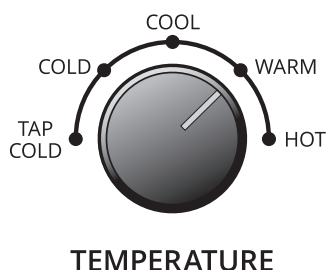
**NOTE:** Not all features and options are available on all models. Appearance may vary.



Appearance may vary.

Turn Cycle knob to choose your wash cycle. For more information, see “Cycle Guide.”

## 6. Select TEMPERATURE



Once you select a cycle, select the desired wash temperature by turning the Temperature knob to the appropriate setting based on your load. All rinses are tap cold.

**NOTE:** Always read and follow fabric care label instructions to avoid damage to your garments.

Temperature	Suggested Fabrics
<b>Hot</b> Some cold water is added to save energy. This will be cooler than your hot water heater setting.	Whites and pastels Durable garments Heavy soils
<b>Warm</b> Some cold water will be added, so this will be cooler than what your previous washer provided.	Bright colors Moderate to light soils
<b>Cool</b> Warm water may be added to assist in soil removal and to help dissolve detergents.	Colors that bleed or fade Light soils
<b>Cold</b> This is the temperature from your faucet. If your tap cold water is less than 50°F (10°C), warm water may be added to assist in soil removal and help dissolve detergent.	Dark colors that bleed or fade Light soils
<b>Tap Cold</b> This is the temperature from your faucet.	Dark colors that bleed or fade Light soils

## 7. Press START to begin wash cycle



Press the Start button to start the wash cycle. When the cycle has finished, the Done indicator will light. Promptly remove garments after cycle has completed to avoid odor, reduce wrinkling, and avoid rusting of metal hooks, zippers, and snaps.

## Washer Maintenance

### WATER INLET HOSES

Replace inlet hoses after 5 years of use to reduce the risk of hose failure. Periodically inspect and replace inlet hoses if bulges, kinks, cuts, wear, or leaks are found.

When replacing your inlet hoses, mark the date of replacement on the label with a permanent marker.

### WASHER CARE

#### Recommendations to Help Keep Your Washer Clean and Performing at Its Best

1. Always follow the detergent manufacturer's instructions regarding the amount of detergent to use. Never use more than the recommended amount because that may increase the rate at which detergent and soil residue accumulate inside your washer which, in turn, may result in undesirable odor.
2. Use warm and hot wash water settings sometimes (not exclusively cold water washes), because they do a better job of controlling the rate at which soils and detergent accumulate.
3. Always leave the washer lid open between uses to help dry out the washer and prevent the buildup of odor-causing residue.

#### Cleaning Your Top Loading Washer

Read these instructions completely before beginning the routine cleaning processes recommended below. This Washer Maintenance Procedure should be performed, at a minimum, once per month or every 30 wash cycles, whichever occurs sooner, to control the rate at which soils and detergent may otherwise accumulate in your washer.

#### Cleaning the Inside of the Washer

To keep your washer odor-free, follow the usage instructions provided above, and use this recommended cleaning procedure:

#### Recommended Cycle for Cleaning the Washer

For optimal cleaning use chlorine bleach:

- a. Open the washer lid and remove any clothing or items.
- b. Add 1 cup (236 mL) of liquid chlorine bleach to the wash basket.

**NOTE:** Use of more liquid chlorine bleach than is recommended above could cause washer damage over time.

- c. Close the washer lid.
- d. Do not add any detergent or other chemical to the washer when following this procedure.
- e. Select the Heavy Duty cycle.
- f. Press the Start button to start the cycle.

**NOTE:** Do not interrupt cycle.

## WASHER CARE (cont.)

### Cleaning the Optional Fabric Softener Dispenser

After a period of using your washer, you may find some residue buildup in the dispenser. To remove residue from the dispenser, wipe with a damp cloth and towel dry. Use an all-purpose surface cleaner, if needed.

### Cleaning the Outside of the Washer

Use a soft, damp cloth or sponge to wipe away any spills. Use only mild soaps or cleaners when cleaning external washer surfaces.

**IMPORTANT:** To avoid damaging the washer's finish, do not use abrasive products.

**NOTE:** The Clean Washer cycle should be used 1 or 2 times a year. Check the Tech Sheet for access to the Clean Washer cycle in the Diagnostic Test Mode.

## NON-USE AND VACATION CARE

If moving, or not using your washer for a period of time, follow these steps:

1. Unplug or disconnect power to washer.
2. Turn off water supply to washer, to avoid flooding due to water pressure surge.

## WINTER STORAGE CARE

**IMPORTANT:** To avoid damage, install and store washer where it will not freeze. Because some water may stay in hoses, freezing can damage washer. If storing or moving during freezing weather, winterize your washer.

### To winterize washer:

1. Shut off both water faucets; disconnect and drain water inlet hoses.
2. Put 1 quart (1 L) of R.V.-type antifreeze in basket and run a wash cycle for about 30 seconds to mix antifreeze and remaining water.
3. Unplug washer or disconnect power.

## TRANSPORTING YOUR WASHER

1. Shut off both water faucets. Disconnect and drain water inlet hoses.
2. If washer will be moved during freezing weather, follow "Winter Storage Care" directions before moving.
3. Disconnect drain hose from drain system and drain any remaining water into a pan or bucket. Disconnect drain hose from back of washer.
4. Unplug power cord.
5. Place inlet hoses and drain hose inside washer basket.
6. Drape power cord over edge and into washer basket.
7. Place packing tray from original shipping materials back inside washer. If you do not have packing tray, place heavy blankets or towels into basket opening. Close lid and place tape over lid and down front of washer. Keep lid taped until washer is placed in new location.
8. Reinstall bottom shipping cone if available.

## ⚠ WARNING



### Electrical Shock Hazard

**Plug into a grounded 3 prong outlet.**

**Do not remove ground prong.**

**Do not use an adapter.**

**Do not use an extension cord.**

**Failure to follow these instructions can result in death, fire, or electrical shock.**

## REINSTALLING/USING WASHER AGAIN

To reinstall washer after non-use, vacation, winter storage, or moving:

1. Refer to Installation Instructions to locate, level, and connect washer.
2. Before using again, run washer through the following recommended procedure:

### To use washer again:

1. Flush water pipes and hoses. Reconnect water inlet hoses. Turn on both water faucets.
2. Plug in washer or reconnect power.
3. Run washer through Normal cycle to clean washer and remove antifreeze, if used. Use half the manufacturer's recommended amount of detergent for a medium-size load.

# Troubleshooting

Before calling for service on your washer, please try the solutions suggested in this section.

If you experience	Possible Causes	Solution
<b>Vibration or Shaking</b>		
Check the following for proper installation or see "Using Your Washer" section.	Feet may not be in contact with the floor and locked to cabinet.	Front and rear feet must be in firm contact with floor, and washer must be level to operate properly.
	Washer may not be level.	Check floor for flexing or sagging. If flooring is uneven, a 3/4" (19 mm) piece of plywood under your washer will reduce sound. See "Level the Washer" in Installation Instructions.
	Load could be unbalanced or twisted.	Load dry items in loose heaps evenly around basket wall. Adding wet items to washer or adding more water to basket could unbalance washer.
		Wash smaller loads to reduce imbalance.
		Do not tightly pack. Avoid washing single items.
		Use Heavy Duty cycle for oversized, non-absorbent items such as comforters or poly-filled jackets.
		See "Cycle Guide" and "Using Your Washer" in this Use and Care Guide.
<b>Noises</b>		
Clicking or metallic noises	Objects caught in washer drain system.	Empty pockets before washing. Loose items such as coins could fall between basket and tub or may block pump. It may be necessary to call for service to remove items. It is normal to hear metal items on clothing such as metal snaps, buckles, or zippers touch against the basket.
Gurgling or humming	Washer may be draining water.	It is normal to hear the pump making a continuous humming sound with periodic gurgling or surging as final amounts of water are removed during the Drain & Spin cycles.
Humming	Load sensing may be occurring.	You may hear the hum of the sensing spins after you have started the washer. This is normal.
<b>Water Leaks</b>		
Check the following for proper installation:	Washer not level.	Water may splash off basket if washer is not level. Check that load is not unbalanced or tightly packed.
	Fill hoses not attached tightly.	Tighten fill-hose connection.
Check the following for proper installation: (cont.)	Fill hose washers.	Make sure all 4 fill hose flat washers are properly seated.
	Drain hose connection.	Pull drain hose from washer cabinet and properly secure it to drainpipe or laundry tub.
		Do not place tape over drain opening.
	Check household plumbing for leaks or clogged sink or drain.	Water can back up out of a clogged sink or drainpipe. Check all household plumbing for leaks (laundry tubs, drain pipe, water pipes, and faucets).
Washer not loaded as recommended.	Improper loading can cause basket to be out of alignment and cause water to splash off tub. See "Using Your Washer" for loading instructions.	
<b>Washer not performing as expected</b>		
Washer won't run or fill; washer stops working	Check for proper water supply.	Both hoses must be attached and have water flowing to inlet valve.
		Both hot and cold water faucets must be turned on.
		Check that inlet valve screens have not become clogged.
		Check for any kinks in inlet hoses, which can restrict water flow.



# ⚠ WARNING



## Electrical Shock Hazard

**Plug into a grounded 3 prong outlet.**

**Do not remove ground prong.**

**Do not use an adapter.**

**Do not use an extension cord.**

**Failure to follow these instructions can result in death, fire, or electrical shock.**

	Check proper electrical supply.	Plug power cord into a grounded 3 prong outlet.
		Do not use an extension cord.
		Ensure there is power to outlet and that the polarity is correct.
		Reset a tripped circuit breaker. Replace any blown fuses. <b>NOTE:</b> If problems continue, contact an electrician.
	Normal washer operation.	Lid must be closed for washer to run.
		Washer will pause during certain phases of cycle. Do not interrupt cycle.
Washer may be tightly packed.	Press START (PAUSE/UNLOCK) for 3 seconds and wait for lid to unlock. Remove several items, rearrange load evenly in basket, and add detergent. Close lid and press START.	
	Do not add more than 1 or 2 additional items after cycle has started to avoid tightly packing or unbalancing.	
All LEDs remain lit	Error code.	Try unplugging washer for 10 seconds and plug it back in to reset the control.
		Check for proper water supply per above.
Washer not draining/spinning, loads are still wet, or spin light remains on (indicating that the washer was unable to pump out water within 10 minutes)	Small items may have been caught in pump or between basket and tub, which can slow draining.	Empty pockets and use garment bags for small items.
	Use a cycle with a low spin speed.	Cycles with lower spin speeds remove less water than cycles with high spin speeds. Use the recommended cycle/spin speed for your garment. To remove extra water in the load on a nonpay model, select Final Spin. Load may need to be rearranged to allow even distribution of the load in the basket.
	The washer may be tightly packed or unbalanced.	Tightly packed or unbalanced loads may not allow the washer to spin correctly, leaving the load wetter than normal. Evenly arrange the wet load for balanced spinning on a nonpay model. Select the Final Spin cycle to remove excess water. See "Using Your Washer" for loading recommendations.
	Check plumbing for correct drain hose installation. Drain hose extends into standpipe farther than 4.5" (114 mm).	Check drain hose for proper installation. Use drain hose form and securely attach to drainpipe or tub. Do not tape over drain opening. Lower drain hose if the end is higher than 96" (2.4 m) above the floor. Remove any clogs from drain hose.
	Too much detergent causing suds to slow or stop draining and spinning.	Always measure and follow detergent directions for your load. To remove extra suds on a nonpay model, select Rinse & Spin. Do not add detergent.
Dry spots on load after cycle	High-speed spins extract more moisture than traditional top-load washers.	The high spin speeds combined with airflow during the final spin can cause items near the top of the load to develop dry spots during the final spin. This is normal.

# Troubleshooting

Before calling for service on your washer, please try the solutions suggested in this section.

If you experience	Possible Causes	Solution
<b>Washer not performing as expected (cont.)</b>		
Incorrect or wrong wash or rinse temperatures	Check for proper water supply.	Make sure hot and cold inlet hoses are not reversed. Both hoses must be attached to both washer and faucet, and have both hot and cold water flowing to inlet valve. Check that inlet valve screens are not clogged. Remove any kinks in hoses.
	Energy-saving controlled-wash temperatures.	This washer uses cooler wash and rinse water temperatures than your previous washer. This includes cooler hot and warm washes.
Load not rinsed	Check for proper water supply.	Make sure hot and cold inlet hoses are not reversed. Both hoses must be attached and have water flowing to the inlet valve. Both hot and cold water faucets must be on. Inlet valve screens on washer may be clogged. Remove any kinks in the inlet hose.
	Using too much detergent.	The suds from too much detergent can keep washer from operating correctly. Always measure detergent and follow detergent directions based on load size and soil level.
	Washer not loaded as recommended.	The washer is less efficient at rinsing when load is tightly packed.
		Load garments in loose heaps evenly around the basket wall. Load with dry items only. Do not load above bottom of white plastic clothes guard. Use cycle designed for the fabrics being washed. Add only 1 or 2 additional garments after washer has started.
Sand, pet hair, lint, etc., on load after washing	Heavy deposits of sand, pet hair, lint, and detergent, fabric softener, or non-chlorine bleach residues may require additional rinsing.	Use Heavy Duty cycle.
Load is tangling	Washer not loaded as recommended.	See "Using Your Washer" section.
		Select a cycle with a slower wash action and spin speed; however, items will be wetter than those using a higher speed spin. See the "Cycle Guide" to match your load with the best cycle.
		Load garments in loose heaps evenly around the basket wall.
		Reduce tangling by mixing types of load items. Use the recommended cycle for the type of garments being washed.
Not cleaning or removing stains	Washer not loaded as recommended.	Washer is less efficient at cleaning when load is tightly packed.
		Load garments in loose heaps evenly around the basket wall. Load with dry items only.
		Add only 1 or 2 additional garments after washer has started.
	Adding detergent on top of load.	Add detergent, oxi products, and color-safe bleach to the bottom of the basket before adding the load items.
	Using too much detergent.	The suds from too much detergent can keep washer from operating correctly. Always measure detergent and follow manufacturer's directions based on load size and soil level.
	Not using correct cycle for fabric type.	Use a higher soil level cycle option and warmer wash temperature to improve cleaning.
		Use Heavy Duty cycle for tough cleaning. See the "Cycle Guide" to match your load with the best cycle.
Not using dispensers.	Use dispensers to avoid chlorine bleach and fabric softener staining.	
	Load dispensers before starting a cycle.	
	Do not add products directly onto load.	
Not washing like colors together.	Wash like colors together and remove promptly after the cycle is complete to avoid dye transfer.	

# Troubleshooting

Before calling for service on your washer, please try the solutions suggested in this section.

If you experience	Possible Causes	Solution
<b>Washer not performing as expected (cont.)</b>		
Incorrect dispenser operation	Clogged dispenser.	Use only liquid chlorine bleach in the bleach dispenser. Use only fabric softener in the fabric softener dispenser.
Fabric damage	Sharp items were in pockets during wash cycle.	Empty pockets, zip zippers, and snap or hook fasteners before washing to avoid snags and tears.
	Strings and straps could have tangled.	Tie all strings and straps before starting wash load.
	Items may have been damaged before washing.	Mend rips and broken threads in seams before washing.
	Fabric damage can occur if load is tightly packed.	Load garments in loose heaps evenly around the basket wall. Load with dry items only. Load below white plastic clothes guard.
		Use cycle designed for the fabrics being washed.
		Add only 1 or 2 additional garments after washer has started.
	Liquid chlorine bleach may have been added incorrectly.	Do not pour liquid chlorine bleach directly onto load. Wipe up bleach spills.
		Undiluted bleach will damage fabrics. Do not use more than recommended by manufacturer.
Do not place load items on top of bleach dispenser when loading and unloading washer.		
Garment care instructions may not have been followed.	Always read and follow garment manufacturer's care label instructions. See the "Cycle Guide" to match your load with the best cycle.	
Odors	Monthly maintenance not done as recommended.	See "Washer Care" in "Washer Maintenance."
		Unload washer as soon as cycle is complete.
	Using too much detergent.	Be sure to measure correctly. Always follow the manufacturer's directions. See "Washer Care" section.
Lid Locked LED is flashing	The lid is not closed.	Close the lid and press START. The washer will not start or fill with the lid open.
	A cycle was stopped or paused using the Start (Pause/Unlock) button.	The washer may still be spinning. The lid will not unlock until the basket has stopped spinning. This may take several minutes if washing large loads or heavy fabrics.
Single-dose laundry packet not dissolving	Adding laundry packet incorrectly.	Be sure laundry packet is added to washer basket before adding clothes. Do not add packet to dispenser. Follow the manufacturer's instructions to avoid damage to your garments.

# Sécurité de la laveuse

## Votre sécurité et celle des autres est très importante.

Nous donnons de nombreux messages de sécurité importants dans ce manuel et sur votre appareil ménager. Assurez-vous de toujours lire tous les messages de sécurité et de vous y conformer.



Voici le symbole d'alerte de sécurité.

Ce symbole d'alerte de sécurité vous signale les dangers potentiels de décès et de blessures graves à vous et à d'autres.

Tous les messages de sécurité suivront le symbole d'alerte de sécurité et le mot "DANGER" ou "AVERTISSEMENT". Ces mots signifient :

**! DANGER**

**Risque possible de décès ou de blessure grave si vous ne suivez pas immédiatement les instructions.**

**! AVERTISSEMENT**

**Risque possible de décès ou de blessure grave si vous ne suivez pas les instructions.**

Tous les messages de sécurité vous diront quel est le danger potentiel et vous disent comment réduire le risque de blessure et ce qui peut se produire en cas de non-respect des instructions.

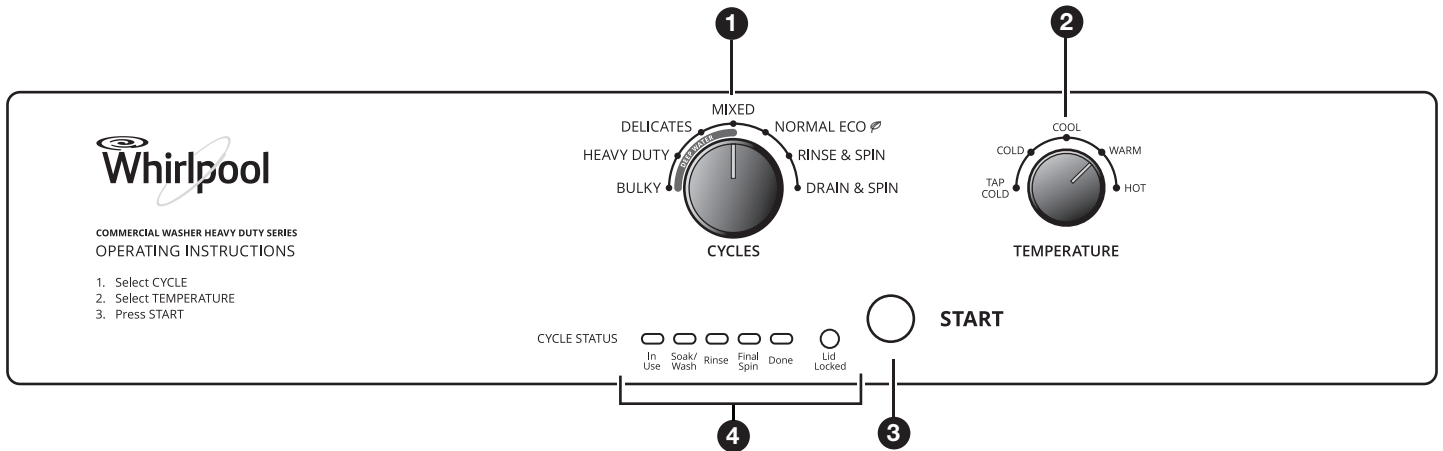
## IMPORTANTES INSTRUCTIONS DE SÉCURITÉ

**AVERTISSEMENT :** Pour réduire les risques d'incendie, de choc électrique ou de blessures lors de l'utilisation de la laveuse, suivre les précautions fondamentales dont les suivantes :

- Lire toutes les instructions avant d'utiliser la laveuse.
- Ne pas laver des articles qui ont été nettoyés ou lavés avec de l'essence ou imbibés d'essence, solvants de nettoyage à sec, ou autres substances inflammables ou explosives; ces substances peuvent émettre des vapeurs susceptibles de s'enflammer ou d'exploser.
- Ne pas ajouter d'essence, solvant de nettoyage à sec ou autre produit inflammable ou explosif dans l'eau de lavage. Ces substances peuvent émettre des vapeurs susceptibles de s'enflammer ou d'exploser.
- Dans certaines conditions, de l'hydrogène gazeux peut se former dans un circuit d'eau chaude qui n'a pas été utilisé pendant 2 semaines ou plus. **LE GAZ HYDROGÈNE EST EXPLOSIBLE.** Si le circuit d'eau chaude n'a pas été utilisé pendant une telle période, avant d'utiliser la laveuse, ouvrir tous les robinets d'eau chaude et laisser l'eau s'écouler pendant plusieurs minutes par chaque robinet. Ceci permettra l'évacuation de l'hydrogène gazeux accumulé. Comme ce gaz est inflammable, ne pas fumer ou utiliser une flamme nue au cours de cette période.
- Ne pas laisser des enfants jouer sur ou à l'intérieur de la laveuse. Bien surveiller les enfants lorsque la laveuse est utilisée à proximité d'enfants.
- Avant de mettre la laveuse au rebut ou hors de service, enlever la porte ou le couvercle.
- Ne pas tenter d'atteindre un article à l'intérieur de la cuve de la laveuse lorsque le tambour, la cuve ou l'agitateur est en mouvement.
- Ne pas installer ou remiser cette laveuse à un endroit où elle serait exposée aux intempéries.
- Ne pas modifier les organes de commande.
- Ne pas réparer ou remplacer un composant quelconque de la laveuse, ni entreprendre une opération de service, si ce n'est spécifiquement recommandé dans ce manuel ou dans un manuel d'instructions de réparations destiné à l'utilisateur; il est alors essentiel que la personne concernée comprenne ces instructions et soit compétente pour les exécuter.
- Pour les instructions de liaison à la terre, voir dans les instructions d'installation.
- **AVERTISSEMENT :** Ne pas laver de vêtements résistants à l'eau ou de type hydrofuge. Le non-respect de ces instructions peut entraîner une vibration anormale et un déséquilibre pouvant entraîner des blessures, des dommages matériels voire des dommages à l'appareil.

**CONSERVEZ CES INSTRUCTIONS**

# Tableau de commande et caractéristiques



Certains programmes et options ne sont pas disponibles sur certains modèles.  
L'apparence des appareils peut varier.

## 1 WASH CYCLE KNOB (bouton de programme de lavage)

Utiliser le bouton du programme de lavage pour sélectionner les programmes disponibles sur la laveuse. Le bouton reste statique pendant la progression du programme – voir les témoins lumineux de programme pour suivre sa progression étape par étape. Voir « Guide de programmes » pour des descriptions de programmes détaillées.

Sélectionner le réglage le plus adapté à votre charge. Les articles doivent pouvoir se déplacer librement. Trop tasser le linge peut entraîner une mauvaise performance de lavage et augmenter le froissement et l’emmêlement.

## 2 TEMPERATURE (température de lavage)

La fonction TEMPERATURE (température de lavage) détecte et maintient une température uniforme de l’eau en régulant le débit d’arrivée d’eau chaude et d’eau froide.

Sélectionner une température de lavage en fonction du type de tissu et de saleté à laver. Pour des résultats optimaux, suivre les instructions sur l’étiquette du vêtement et utiliser la température d’eau de lavage la plus chaude possible qui reste sans danger pour le tissu.

■ Les températures utilisées pour Normal Eco, l’eau chaude et l’eau tiède peuvent être inférieures aux températures utilisées par votre précédente laveuse. Cycles d’eau profonde fourniront des températures plus élevées pendant le cycle de lavage.

■ Même pour les lavages dont la température a été réglée sur Cool (frais) ou Cold (froid), il est possible que de l’eau tiède soit ajoutée à la laveuse pour maintenir une température minimale.

## 3 START BUTTON (bouton mise en marche)

Appuyer sur ce bouton pour démarrer le programme sélectionné. Pour déverrouiller le couvercle pendant l’essorage final, appuyez sur ce bouton pendant 3 secondes pour suspendre le programme et déverrouiller le couvercle. Appuyer pendant 10 secondes pour annuler un programme.

**REMARQUE :** Si le panier de lavage tourne, le couvercle peut mettre quelques minutes à se déverrouiller.

## 4 CYCLE STATUS LIGHTS INDICATOR (témoins lumineux des programmes)

CYCLE STATUS       
In Use Soak/Wash Rinse Final Spin Done

Les témoins lumineux indiquent la progression du programme. À chaque étape du processus, il est possible que l’on remarque des pauses ou des sons différents de ceux des laveuses ordinaires.

### IN USE (utilisé)

Ce voyant reste allumé après le cycle commence et reste allumé jusqu’à ce que le cycle est terminé.

### SOAK/WASH (trempage/lavage)

Ce voyant reste allumé pendant la partie de Wash (lavage) du cycle.

### RINSE (rinçage)

Ce voyant reste allumé pendant la partie de Rinse (rinçage) du cycle. adoucissant peut être ajouté à ce stade du cycle.

### FINAL SPIN/LID LOCKED (essorage finale/verrouillage du couvercle)

Le Final Spin (essorage finale) LED et le Lid Locked (verrouillage du couvercle) LED seront tous deux rester allumés pendant cette partie du cycle. Si vous avez besoin d’ouvrir le couvercle avant la fin du cycle, appuyez sur Start (mise en marche) pendant 3 secondes.

### DONE (terminé)

Cette LED illumine lorsque le cycle est terminé. Il reste allumé jusqu’à ce que le couvercle est ouvert.

**AVERTISSEMENT :** Ne pas laver de vêtements résistants à l’eau ou de type hydrofuge. Le non-respect de ces instructions peut entraîner une vibration anormale et un déséquilibre pouvant entraîner des blessures, des dommages matériels voire des dommages à l’appareil.

# Guide de programmes

Pour un meilleur soin des tissus, choisir le programme qui convient le mieux à la charge à laver.

Certains programmes et options ne sont pas disponibles sur certains modèles.

Articles à laver :	Programme :	Température de lavage* :	Vitesse d'essorage :	Détails du programme :
Articles en coton et linge de maison	Normal Eco	Hot (Chaude) Warm (Tiède) Cool (Fraîche) Cold (Froide) Tap Cold (Froide du robinet)	High (Élevée)	Utiliser ce programme pour les articles en coton présentant un degré de saleté normal.
Charges mixtes vêtement	Mixed (Mixte)	Hot (Chaude) Warm (Tiède) Cool (Fraîche) Cold (Froide) Tap Cold (Froide du robinet)	High (Élevée)	Utiliser ce cycle pour une grande variété de charges mixtes vêtements. Ce cycle comprend un rinçage de baignoire profonde.
Articles robustes et charges mixtes vêtements	Heavy Duty (Résistant)	Hot (Chaude) Warm (Tiède) Cool (Fraîche) Cold (Froide) Tap Cold (Froide du robinet)	High (Élevée)	Utiliser ce programme pour les articles très sales ou robustes. Ce programme comporte un rinçage de baignoire profonde.
Articles non repassables, de pressage permanent, tissus synthétiques, articles en soie lavables en machine, articles lavés à la main	Delicates (Articles délicat)	Hot (Chaude) Warm (Tiède) Cool (Fraîche) Cold (Froide) Tap Cold (Froide du robinet)	Low (Basse)	Utiliser ce programme pour laver des charges de vêtements qui ne se repassent pas tels que chemises de sport, chemisiers, vêtements de travail tout-aller, articles à pressage permanent et mélanges de tissus. Utiliser aussi ce programme pour laver des vêtements légèrement sales dont l'étiquette de soin indique « Soie lavable en machine » ou « Programme délicat ». Placer les petits articles dans des sacs en filet avant le lavage. Ce programme comporte un rinçage de baignoire profonde.
Articles de grande taille tels que les draps, les sacs de couchage, les petits duvets, les vestes, les petits tapis lavables	Bulky (Volumineux)	Hot (Chaude) Warm (Tiède) Cool (Fraîche) Cold (Froide) Tap Cold (Froide du robinet)	Low (Basse)	Utiliser ce programme pour laver les articles de grande taille tels que les vestes et les petits duvets. Le lave-linge se remplira de suffisamment d'eau pour mouiller la charge avant que la portion de lavage du programme ne commence. Il utilise un niveau d'eau plus élevé que les autres programmes.
Maillots de bain et articles nécessitant un rinçage sans détergent	Rinse & Spin (Rinçage & Essorage)	Cold (Froide)	High (Élevée)	Combine un rinçage et un essorage rapide pour les charges nécessitant un programme de rinçage supplémentaire ou pour finir de prendre soin d'une charge après une coupure de courant. Utiliser également pour les charges nécessitant uniquement un rinçage.
Articles très humides ou articles lavés à la main	Drain & Spin (Vidange & Essorage)	N/A	High (Élevée)	Ce programme utilise un essorage pour réduire les durées de séchage pour les tissus lourds et les articles lavés à la main nécessitant un soin spécial. Utiliser ce programme pour vidanger le lave-linge après avoir annulé un programme ou avoir terminé un programme après une coupure de courant.

\*Tous les rinçages se font à l'eau froide.

# Spécifications Électriques

## ⚠ AVERTISSEMENT



### Risque de choc électrique

Brancher sur une prise à 3 alvéoles reliée à la terre.

Ne pas enlever la broche de liaison à la terre.

Ne pas utiliser un adaptateur.

Ne pas utiliser un câble de rallonge.

Le non-respect de ces instructions peut causer un décès, un incendie ou un choc électrique.

# Utilisation de la laveuse

## ⚠ AVERTISSEMENT



### Risque d'incendie

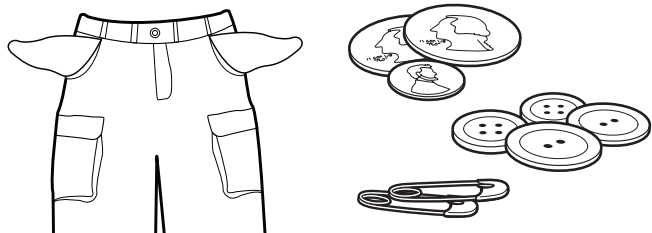
Ne jamais mettre des articles humectés d'essence ou d'autres fluides inflammables dans la laveuse.

Aucune laveuse ne peut complètement enlever l'huile.

Ne pas faire sécher des articles qui ont été salis par tout genre d'huile (y compris les huiles de cuisson).

Le non-respect de ces instructions peut causer un décès, une explosion ou un incendie.

## 1. Trier et préparer le linge



- Vider les poches. Des pièces de monnaie, des boutons ou objets de petite taille sont susceptibles de glisser sous l'impulseur et de s'y coincer, ce qui peut entraîner des bruits inattendus.
- Trier les articles en fonction du programme et de la température d'eau recommandés, ainsi que de la solidité des teintures.
- Séparer les articles très sales des articles peu sales.
- Séparer les articles délicats des tissus résistants.

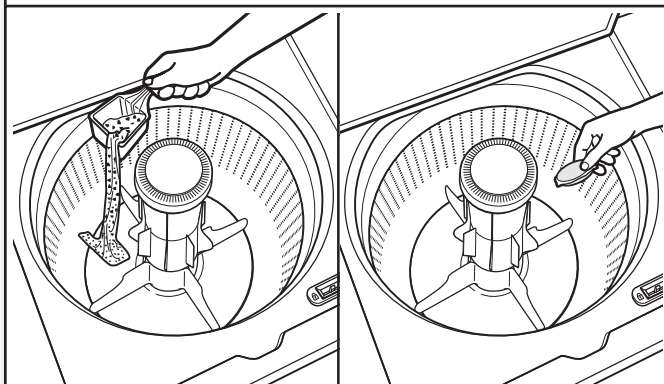
- Ne pas sécher les vêtements si les taches sont toujours présentes après le lavage car la chaleur pourrait fixer les taches sur le tissu.
- Traiter les taches sans délai.
- Fermer les fermetures à glissière, attacher les crochets, cordons et ceintures en tissu. Ôter les garnitures et les ornements non lavables.
- Réparer les déchirures pour éviter que les articles ne s'endommagent encore davantage lors du lavage.

### Conseils utiles :

- Lors du lavage d'articles imperméables ou résistants à l'eau, charger la laveuse de façon uniforme.
- Utiliser des sacs en filet pour aider à empêcher l'emmêlement lors du lavage d'articles délicats ou de petits articles.
- Retourner les tricots pour éviter le boulochage. Séparer les articles qui forment la charpie de ceux qui la retiennent. Les articles synthétiques, tricots et articles en velours retiennent la charpie provenant des serviettes, des tapis et des tissus chenille.
- Pour des résultats optimaux, les articles les plus lourds tels les jeans, les serviettes et les couvertures doivent être chargés en premier pour se trouver au fond de la charge mixte.

**REMARQUE :** Toujours lire et suivre les instructions des étiquettes de soin des tissus pour éviter d'endommager les vêtements.

## 2. Ajouter les produits de lessive



**IMPORTANT :** Verser une mesure de détergent ou un sachet de lessive à dose unique dans le panier.

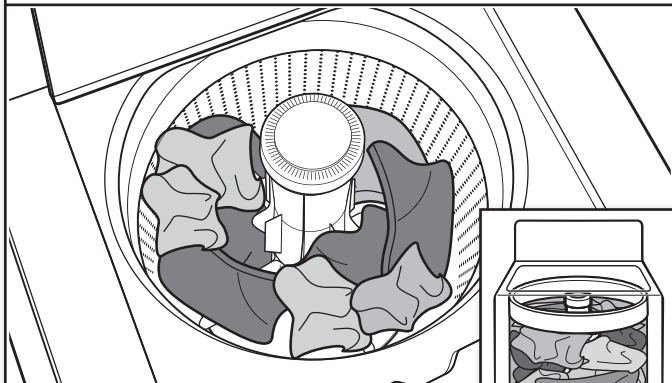
Si l'on utilise des produits activateurs de détergent de type Oxi, un agent de blanchiment sans danger pour les couleurs ou de l'assouplissant pour tissu sous forme de cristaux, les ajouter au fond du panier de la laveuse avant d'ajouter les vêtements.

Si vous utilisez l'agent de blanchiment liquide au chlore liquide (en option), l'ajouter manuellement à l'eau de lavage.

Ne pas trop remplir, diluer ou utiliser plus de 1 tasse (250 ml) de l'agent de blanchiment liquide au chlore liquide. Ne pas utiliser couleur javellisant ou Oxi produits dans le même cycle avec l'agent de blanchiment liquide au chlore liquide.

**REMARQUE :** Suivre les instructions du fabricant pour déterminer la quantité de produits de lessive à utiliser. Le fabricant suggère l'utilisation d'un détergent HE.

### 3. Charger les vêtements dans la laveuse

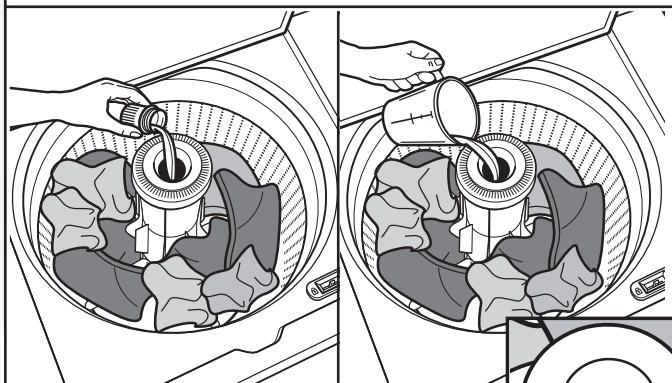


Charger les vêtements sans les tasser et de façon uniforme le long de la paroi du panier. Pour de meilleurs résultats, ne pas remplir au-delà de la hauteur maximale de charge recommandée. Ne pas enrouler de grands articles tels des draps autour de l'agitateur; les charger sans les tasser le long de la paroi du panier. Essayer de mélanger différents types d'articles pour réduire l'emmêlement.

**IMPORTANT :** Ne pas tasser les articles ou les pousser dans la laveuse. Les articles doivent pouvoir se déplacer librement pour un nettoyage optimal et pour réduire le froissement et l'emmêlement. Charger les articles plus lourds d'abord. Ne pas charger au-delà du bouchon agitateur. Ne pas charger de vêtements par-dessus l'anneau intérieur blanc.

### 4. Verser une mesure d'assouplissant pour tissu liquide dans le distributeur facultatif

**REMARQUE :** Les programmes et options ne sont pas tous disponibles sur tous les modèles. L'apparence peut varier.



Verser une mesure d'assouplissant pour tissu liquide dans le distributeur – toujours suivre les instructions du fabricant concernant la dose d'assouplissant pour tissu à utiliser en fonction de la taille de la charge.

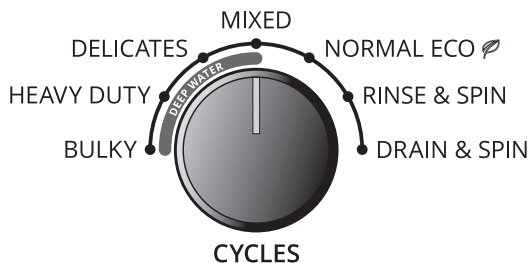
Diluer l'assouplissant pour tissu liquide en remplissant le distributeur d'eau tiède jusqu'à ce que le liquide atteigne la partie inférieure de l'anneau. Voir les flèches du repère de remplissage maximum.

### Ajouter manuellement l'assouplissant liquide pour tissu à la charge à laver

Au cours du rinçage final, attendre le remplissage complet de la laveuse. À ce moment-là, le robinet d'alimentation en eau se ferme, et l'on n'entend plus d'eau qui s'écoule dans la laveuse. Soulever le couvercle et verser la mesure recommandée d'assouplissant pour tissu liquide. Ne pas utiliser plus que la quantité recommandée. Fermer le couvercle.

### 5. Sélectionner le programme

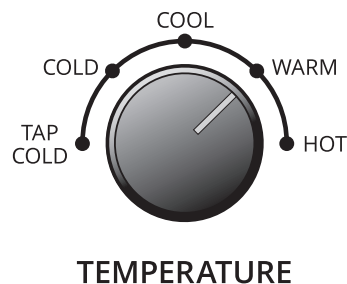
**REMARQUE :** Les programmes et options ne sont pas tous disponibles sur tous les modèles. L'apparence peut varier.



L'aspect peut varier.

Tourner le bouton de programme pour choisir un programme de lavage. Pour plus de renseignements, voir « Guide de programmes ».

### 6. Sélectionner la TEMPERATURE (température de lavage)



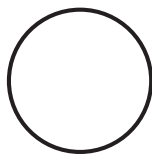
Après avoir sélectionné un programme, sélectionner la température de lavage désirée en tournant le bouton Temperature (température de lavage). Tous les rinçages se font à l'eau froide du robinet.

**REMARQUE :** Toujours lire et suivre les instructions des étiquettes de soin des tissus pour éviter d'endommager les vêtements.



Température	Tissus suggérés
<b>Hot (chaude)</b> De l'eau froide est ajoutée pour économiser de l'énergie. Ceci sera plus froid que le réglage du chauffe-eau pour l'eau chaude de votre domicile.	Blancs et couleurs claires Vêtements durables Saleté intense
<b>Warm (tiède)</b> De l'eau froide sera ajoutée; il est donc possible que l'eau soit plus froide que celle que fournissait votre laveuse précédente.	Couleurs vives Saleté modérée à légère
<b>Cool (fraîche)</b> De l'eau tiède est ajoutée pour favoriser l'élimination de la saleté et aider à dissoudre les détergents.	Couleurs qui déteignent ou s'atténuent Saleté légère
<b>Cold (froide)</b> Ceci correspond à la température à votre robinet. Si la température de l'eau froide à votre robinet est inférieure à 50 °F (10 °C), de l'eau tiède est ajoutée pour favoriser l'élimination de la saleté et aider à dissoudre les détergents.	Couleurs foncées qui déteignent ou s'atténuent Saleté légère
<b>Tap Cold (froide du robinet)</b> Ceci est la température de votre robinet.	Couleurs foncées qui déteignent ou s'atténuent Saleté légère

## 7. Appuyer sur START (mise en marche) pour démarrer le programme de lavage



**START**

Appuyer sur le bouton Start (mise en marche) pour démarrer le programme de lavage. Lorsque le programme est terminé, le témoin lumineux DONE (terminé) s'allume. Retirer rapidement les vêtements une fois le programme terminé pour éviter la formation d'odeurs, réduire le froissement et empêcher les crochets métalliques, fermetures à glissière et boutons-pression de rouiller.

## Entretien de la laveuse

### TUYAUX D'ARRIVÉE D'EAU

Remplacer les tuyaux d'arrivée d'eau après 5 ans d'utilisation pour réduire le risque de défaillance intempestive. Inspecter périodiquement les tuyaux; les remplacer en cas de renflement, de déformation, de coupure et d'usure ou si une fuite se manifeste.

Lorsque vous remplacez les tuyaux d'arrivée d'eau, noter la date de remplacement au marqueur indélébile sur l'étiquette.

### ENTRETIEN DE LA LAVEUSE

#### Recommandations pour une laveuse propre et pour un niveau de performance optimal

1. Toujours suivre les recommandations du fabricant de détergent HE pour déterminer la quantité de détergent HE à utiliser. Ne jamais utiliser plus que la quantité recommandée de détergent, car ceci peut augmenter le taux d'accumulation de résidus de détergent et de souillures à l'intérieur de la laveuse, ce qui pourrait entraîner la formation d'odeurs indésirables.
2. Exécuter périodiquement des lavages avec de l'eau tiède ou chaude (et non pas exclusivement des lavages à l'eau froide), car l'eau tiède ou chaude permet de contrôler plus efficacement la vitesse à laquelle les saletés et les résidus de détergent s'accumulent.
3. Veiller à toujours laisser le couvercle de la laveuse ouvert entre deux utilisations pour qu'elle puisse sécher, et pour éviter l'accumulation de résidus générateurs d'odeurs.

#### Nettoyage de la laveuse à chargement par le dessus

Lire complètement ces instructions avant d'entreprendre les opérations de nettoyage de routine recommandées ci-dessous. Le processus d'entretien de la laveuse doit être exécuté au moins une fois par mois ou à intervalles de 30 lavages (selon la période la plus courte des deux); ceci permettra de contrôler la vitesse à laquelle les résidus de détergent et les souillures s'accumulent dans la laveuse.

#### Nettoyage de l'intérieur de la laveuse

Pour que l'intérieur de la laveuse reste libre de toute odeur, suivre les instructions d'utilisation indiquées ci-dessus et effectuer la procédure de nettoyage mensuelle recommandée suivante :

#### Programme recommandé pour le nettoyage de la laveuse

Pour un nettoyage optimal à l'agent de blanchiment liquide au chlore :

- a. Ouvrir le couvercle de la laveuse et retirer tout vêtement ou article.
  - b. Verser 1 tasse (236 mL) d'agent de blanchiment liquide au chlore dans le panier de lavage.
- REMARQUE :** L'emploi d'une quantité d'agent de blanchiment liquide au chlore supérieure à ce qui est recommandé ci-dessus pourrait endommager la laveuse avec le temps.
- c. Rabattre le couvercle de la laveuse.
  - d. Ne pas ajouter de détergent ou autre composé chimique dans la laveuse lors de l'exécution de cette procédure.
  - e. Sélectionner le programme Heavy Duty (service intense).
  - f. Appuyer sur le bouton Start (mise en marche) pour démarrer le programme.

**REMARQUE :** Ne pas interrompre le programme.

#### Nettoyage de l'option distributeur d'assouplissant

Après avoir utilisé la laveuse pendant longtemps, on peut parfois constater une accumulation de résidus dans les distributeurs de la laveuse. Pour éliminer les résidus, essuyer avec un chiffon humide et les sécher avec une serviette. Si nécessaire, utiliser un nettoyeur tout-usage.

## ENTRETIEN DE LA LAVEUSE

### Nettoyage de l'extérieur de la laveuse

Utiliser une éponge ou un chiffon doux et humide pour essuyer les renversements éventuels. Utiliser uniquement des savons ou nettoyeurs doux pour nettoyer la surface externe de la laveuse.

**IMPORTANT :** Afin d'éviter d'endommager le revêtement de la laveuse, ne pas utiliser de produits abrasifs.

**REMARQUE :** Le programme de nettoyage de la laveuse doit être lancé 1 à 2 fois par an. Consulter la fiche technique pour accéder au programme de nettoyage de la laveuse en mode de test de diagnostic.

## NON-UTILISATION ET ENTRETIEN EN PÉRIODE DE VACANCES

En cas de déménagement ou si l'on n'utilise pas la laveuse pendant un certain temps, suivre les étapes suivantes :

1. Débrancher la laveuse ou déconnecter la source de courant électrique.
2. Fermer l'alimentation en eau à la laveuse pour éviter toute inondation due à une surpression.

## TRANSPORT DE LA LAVEUSE

1. Fermer les deux robinets d'eau. Débrancher et vidanger les tuyaux d'arrivée d'eau.
2. Si l'on déplace la laveuse pendant une période de gel, suivre les instructions de la section « Entretien pour entreposage hivernal » avant de la déplacer.
3. Déconnecter le tuyau de vidange du système de vidange et vidanger l'eau restante dans un plat ou un seau. Déconnecter le tuyau de vidange à l'arrière de la laveuse.
4. Débrancher le cordon d'alimentation.
5. Placer les tuyaux d'arrivée d'eau dans le panier de la laveuse.
6. Faire passer le cordon d'alimentation par dessus la console et l'enrouler dans le panier de la laveuse.
7. Replacer l'emballage en polystyrène circulaire des matériaux d'expédition d'origine à l'intérieur de la laveuse. Si vous n'avez plus l'emballage circulaire, placer des couvertures lourdes ou des serviettes dans l'ouverture du panier. Fermer le couvercle et placer du ruban adhésif sur le couvercle et jusqu'à la partie inférieure avant de la laveuse. Laisser le couvercle fermé par l'adhésif jusqu'à ce que la laveuse soit installée à son nouvel emplacement.
8. Réinstaller le cône d'expédition inférieur si disponible.

## ENTRETIEN POUR ENTREPOSAGE HIVERNAL

**IMPORTANT :** Pour éviter tout dommage, installer et remiser la laveuse à l'abri du gel. L'eau qui peut rester dans les tuyaux risque d'abîmer la laveuse en temps de gel. Si la laveuse doit faire l'objet d'un déménagement ou d'entreposage au cours d'une période de gel, hivériser la laveuse.

### Hivérisation de la laveuse :

1. Fermer les deux robinets d'eau; déconnecter et vidanger les tuyaux d'arrivée d'eau.
2. Placer 1 pinte (1 L) d'antigel pour véhicule récréatif dans le panier et faire fonctionner la laveuse sur un programme pendant environ 30 secondes pour mélanger l'antigel et l'eau restante.
3. Débrancher la laveuse ou déconnecter la source de courant électrique.

## ⚠ AVERTISSEMENT



### Risque de choc électrique

**Brancher sur une prise à 3 alvéoles reliée à la terre.**

**Ne pas enlever la broche de liaison à la terre.**

**Ne pas utiliser un adaptateur.**

**Ne pas utiliser un câble de rallonge.**

**Le non-respect de ces instructions peut causer un décès, un incendie ou un choc électrique.**

## RÉINSTALLATION/RÉUTILISATION DE LA LAVEUSE

Pour réinstaller la laveuse en cas de non-utilisation, d'entreposage pour l'hiver, de déménagement ou en période de vacances :

1. Consulter les instructions d'installation pour choisir l'emplacement, régler l'aplomb de la laveuse et la raccorder.
2. Avant de réutiliser la laveuse, exécuter la procédure recommandée suivante :

### Remise en marche de la laveuse :

1. Vidanger les canalisations d'eau et les tuyaux. Reconnecter les tuyaux d'arrivée d'eau. Ouvrir les deux robinets d'eau.
2. Brancher la laveuse ou reconnecter la source de courant électrique.
3. Faire exécuter à la laveuse le programme Normal pour nettoyer la laveuse et éliminer l'antigel, le cas échéant. Utiliser la moitié de la quantité de détergent recommandée par le fabricant pour une charge de taille moyenne.

# Dépannage

Avant de demander une intervention de dépannage par téléphone pour votre laveuse, essayer d'abord les solutions suggérées dans cette section.

Si les phénomènes suivants se produisent	Causes possibles	Solution	
<b>Vibrations ou tremblements</b>			
Vérifier ce qui suit pour que l'installation soit correcte ou voir la section « Utilisation de la laveuse ».	Les pieds ne sont peut-être pas en contact avec le plancher ou peut-être qu'ils ne sont pas verrouillés au placard.	Les pieds avant et arrière doivent être en contact ferme avec le plancher et la laveuse doit être d'aplomb pour fonctionner correctement.	
	La laveuse n'est peut-être pas d'aplomb.	Vérifier que le plancher n'est pas incurvé ou qu'il ne s'affaisse pas. Si le plancher est irrégulier, un morceau de contreplaqué de 3/4 po (19 mm) placé sous la laveuse permettra de réduire le bruit. Voir « Réglage de l'aplomb de la laveuse » dans les Instructions d'installation.	
	La charge est peut-être déséquilibrée ou tordue.	Charger les vêtements secs sans les tasser et de façon uniforme le long de la paroi du panier. Le fait d'ajouter des articles mouillés ou de rajouter de l'eau dans le panier pourrait déséquilibrer la laveuse.	Laver des charges plus petites pour réduire le risque de déséquilibre. Ne pas trop tasser le linge. Éviter de laver un article seul.
		Utiliser le programme Heavy Duty (service intense) pour les articles volumineux, non absorbants tels que les couettes ou les vestes avec rembourrage en polyester.	
		Voir « Guide de programmes » et « Utilisation de la laveuse » dans ce Guide d'utilisation et d'entretien.	
<b>Bruits</b>			
Cliquetis ou bruits métalliques	Des objets sont coincés dans le système de vidange de la laveuse.	Vider les poches avant le lavage. Les articles mobiles tels des pièces de monnaie sont susceptibles de tomber entre le panier et la cuve; ils peuvent aussi obstruer la pompe. Un appel pour intervention de dépannage s'avérera peut-être nécessaire pour retirer ces objets.	
		Il est normal d'entendre les articles métalliques des vêtements comme les boutons-pression métalliques, boucles ou fermetures à glissière toucher le panier.	
Gargouillement ou bourdonnement	La laveuse est peut-être en train d'évacuer de l'eau.	Il est normal d'entendre la pompe produire un bourdonnement continu accompagné de gargouillements ou de bruits de pompage périodiques lorsque les quantités d'eau restantes sont éliminées au cours des programmes d'essorage/de vidange.	
Bourdonnement	Le processus de détection de la charge est peut-être en cours.	Il est possible que les essorages émettent un bruit de ronronnement après la mise en marche de la laveuse. Ceci est normal.	
<b>Fuites d'eau</b>			
Vérifier ce qui suit pour que l'installation soit correcte :	La laveuse n'est pas d'aplomb.	Il est possible que de l'eau éclabousse en dehors du panier si la laveuse n'est pas d'aplomb. Vérifier que la charge n'est pas déséquilibrée ou trop tassée.	
	Les tuyaux de remplissage ne sont pas solidement fixés.	Serrer le raccord du tuyau de remplissage.	
	Rondelles d'étanchéité des tuyaux de remplissage.	Vérifier que les quatre rondelles d'étanchéité plates des tuyaux de remplissage d'eau sont correctement installées.	
	Raccord du tuyau de vidange.	Tirer le tuyau de vidange de la caisse de la laveuse et le fixer correctement dans le tuyau de rejet à l'égoût ou l'évier de buanderie.	
		Ne pas placer de ruban adhésif sur l'ouverture du système de vidange.	
Inspecter le circuit de plomberie du domicile pour vérifier qu'il n'y a pas de fuites ou que l'évier ou le tuyau de vidange n'est pas obstrué.	De l'eau pourrait refouler de l'évier ou du tuyau de rejet à l'égoût obstrué. Inspecter tout le circuit de plomberie du domicile (évier de buanderie, tuyau de vidange, conduites d'eau et robinets) pour vérifier qu'il n'y a aucune fuite.		

# Dépannage

Avant de demander une intervention de dépannage par téléphone pour votre laveuse, essayer d'abord les solutions suggérées dans cette section.

Si les phénomènes suivants se produisent	Causes possibles	Solution
<b>Fuites d'eau (suite)</b>		
Vérifier ce qui suit pour que l'installation soit correcte : (suite)	La laveuse n'a pas été chargée tel que recommandé.	Une charge déséquilibrée peut entraîner une déviation du panier et de l'eau pourrait alors éclabousser en dehors de la cuve. Voir « Utilisation de la laveuse » pour des instructions sur le chargement.
<b>La laveuse ne fonctionne pas comme prévu</b>		
La laveuse ne fonctionne pas ou ne se remplit pas; elle cesse de fonctionner	Vérifier que la laveuse est correctement alimentée en eau.	Les deux tuyaux doivent être fixés et l'eau doit pénétrer dans la valve d'arrivée.
		Les robinets d'eau chaude et d'eau froide doivent être ouverts tous les deux.
		Vérifier que les tamis des valves d'arrivée ne sont pas obstrués.
		Vérifier que les tuyaux d'arrivée d'eau ne sont pas déformés; ceci peut réduire le débit.

## AVERTISSEMENT



### Risque de choc électrique

- Brancher sur une prise à 3 alvéoles reliée à la terre.**
- Ne pas enlever la broche de liaison à la terre.**
- Ne pas utiliser un adaptateur.**
- Ne pas utiliser un câble de rallonge.**
- Le non-respect de ces instructions peut causer un décès, un incendie ou un choc électrique.**

	Vérifier que l'alimentation électrique est correcte.	Brancher le cordon d'alimentation dans une prise à 3 alvéoles reliée à la terre.
		Ne pas utiliser de câble de rallonge.
		Vérifier que la prise est alimentée et que la polarité est correcte.
		Remettre en marche un disjoncteur qui serait ouvert. Remplacer tout fusible grillé. <b>REMARQUE</b> : Si le problème persiste, appeler un électricien.
	Fonctionnement normal de la laveuse.	Le couvercle doit être fermé pour que la laveuse puisse fonctionner.
		La laveuse fait des pauses durant certaines étapes du programme. Ne pas interrompre le programme.
	Les vêtements sont peut-être tassés dans la laveuse.	Appuyer sur START (PAUSE/UNLOCK) (mise en marche (pause/déverrouillage)) pendant 3 secondes et attendre que le couvercle se déverrouille. Retirer plusieurs articles, répartir uniformément la charge dans le panier et ajouter du détergent. Fermer le couvercle et appuyer sur START (mise en marche).
		Ne pas ajouter plus de 1 ou 2 articles supplémentaires après le début du programme pour éviter un tassement excessif de la charge ou un déséquilibre.
Toutes les DEL restent allumées	Code d'erreur	Essayer de débrancher la laveuse, attendre 10 secondes et la rebrancher pour réinitialiser la commande.
		Vérifier que l'alimentation en eau est adéquate comme décrit ci-dessus.

# Dépannage

Avant de demander une intervention de dépannage par téléphone pour votre laveuse, essayer d'abord les solutions suggérées dans cette section.

Si les phénomènes suivants se produisent	Possible Causes	Solution
<b>La laveuse ne fonctionne pas comme prévu (suite)</b>		
La laveuse ne se vidange pas/n'effectue pas d'essorage, les charges ressortent mouillées ou le témoin lumineux d'essorage reste allumé (indiquant que la laveuse n'était pas en mesure d'extraire l'eau (par pompage) en 10 minutes)	Des petits articles sont peut-être coincés dans la pompe ou entre le panier et la cuve, ce qui peut ralentir la vidange.	Vider les poches et utiliser des sacs à linge pour les petits articles.
	Utiliser des programmes comportant une vitesse d'essorage inférieure.	Les programmes avec vitesses d'essorage réduites éliminent moins d'eau que les programmes qui comportent des vitesses d'essorage supérieures. Utiliser la vitesse d'essorage appropriée/le programme recommandé pour le vêtement. Pour éliminer l'eau restant dans la charge sur un modèle sans paiement, sélectionner Final Spin (essorage final). On peut avoir à réarranger la charge pour en assurer une distribution uniforme dans le panier.
	La charge de la laveuse est peut-être tassée ou déséquilibrée.	Des charges excessivement tassées ou déséquilibrées peuvent empêcher la laveuse d'essorer correctement, ce qui laisse le linge plus mouillé qu'il ne devrait l'être. Répartir uniformément la charge mouillée pour que l'essorage soit équilibré sur un modèle sans paiement. Sélectionner le programme Final Spin (essorage final) pour enlever toute eau restée dans la laveuse. Voir « Utilisation de la laveuse » pour des recommandations sur le chargement.
	Inspecter le circuit de plomberie pour vérifier que le tuyau de vidange est correctement installé. Le tuyau de vidange se prolonge dans le tuyau rigide de rejet à l'égout au-delà de 4,5 po (114 mm).	Vérifier que le tuyau de vidange est correctement installé. Utiliser la bride de retenue pour tuyau de vidange et la fixer solidement au tuyau de rejet à l'égout ou à l'évier de buanderie. Ne pas placer de ruban adhésif sur l'ouverture du système de vidange. Abaisser le tuyau de vidange si l'extrémité se trouve à plus de 96 po (2,4 m) au-dessus du plancher. Retirer toute obstruction du tuyau de vidange.
	Un excès de mousse causé par une utilisation excessive de détergent peut ralentir ou arrêter la vidange ou l'essorage.	Toujours mesurer les quantités et suivre les instructions figurant sur le détergent en fonction de la charge. Pour éliminer tout excès de mousse sur un modèle sans paiement, sélectionner Rinse (rinçage) & Spin (essorage). Ne pas ajouter de détergent.
Endroits secs sur la charge après un programme	Un essorage à vitesse élevée extrait davantage d'humidité que les laveuses traditionnelles à chargement par le dessus.	Un essorage à vitesse élevée associé à une circulation d'air durant l'essorage final peut entraîner l'apparition de portions sèches sur le linge placé sur le haut de la charge au cours de l'essorage final. Ceci est normal.
Températures de lavage ou de rinçage incorrectes	Vérifier que la laveuse est correctement alimentée en eau.	Vérifier que les tuyaux d'arrivée d'eau chaude et froide ne sont pas inversés.
		Les deux tuyaux doivent être raccordés à la fois à la laveuse et au robinet, et la valve d'arrivée doit recevoir à la fois de l'eau chaude et de l'eau froide.
		Vérifier que les tamis des valves d'arrivée ne sont pas obstrués.
		Éliminer toute déformation des tuyaux.
Charge non rincée	Vérifier que la laveuse est correctement alimentée en eau.	Vérifier que les tuyaux d'arrivée d'eau chaude et froide ne sont pas inversés.
		Les deux tuyaux doivent être fixés et l'eau doit pénétrer dans la valve d'arrivée.
		Les robinets d'eau chaude et d'eau froide doivent être ouverts tous les deux.
		Les tamis de la valve d'arrivée d'eau de la laveuse sont peut-être obstrués.
	Utilisation excessive de détergent.	La mousse produite par un excès de détergent peut empêcher la laveuse de fonctionner correctement. Toujours mesurer la quantité de détergent et toujours suivre les instructions du détergent en fonction de la taille et du niveau de saleté de la charge.

# Dépannage

Avant de demander une intervention de dépannage par téléphone pour votre laveuse, essayer d'abord les solutions suggérées dans cette section.

Si les phénomènes suivants se produisent	Causes possibles	Solution
<b>La laveuse ne fonctionne pas comme prévu (suite)</b>		
Charge non rincée (suite)	La laveuse n'a pas été chargée tel que recommandé.	La laveuse effectuera un rinçage moins performant si la charge est tassée.
		Charger les vêtements sans les tasser et de façon uniforme le long de la paroi du panier. Charger la laveuse uniquement avec des articles secs. Ne pas charger de vêtements par-dessus la protection pour vêtements en plastique blanc.
		Utiliser le programme conçu pour les tissus à laver.
		Si l'on souhaite ajouter des vêtements une fois que la laveuse a démarré, n'en rajouter qu'un ou deux supplémentaire.
Sable, poils d'animaux, charpie, etc. sur la charge après le lavage	Des dépôts lourds de sable, de poils d'animaux, de charpie, et des résidus de détergent, d'adoucissant pour tissu ou d'agent de blanchiment sans chlore peuvent nécessiter un rinçage supplémentaire.	Utiliser le programme Heavy Duty (service intense).
La charge est emmêlée	La laveuse n'a pas été chargée tel que recommandé.	Voir la section « Utilisation de la laveuse ».
		Sélectionner un programme comportant un lavage plus lent et une vitesse d'essorage inférieure. Noter que les articles seront plus mouillés que si l'on utilise une vitesse d'essorage supérieure. Voir le « Guide de programmes » pour utiliser le programme qui correspond le mieux à la charge utilisée.
		Charger les vêtements sans les tasser et de façon uniforme le long de la paroi du panier.
		Réduire l'emmêlement en mélangeant plusieurs types d'articles dans la charge. Utiliser le programme recommandé correspondant aux types de vêtements à laver.
Ne nettoie ou ne détache pas	La laveuse n'a pas été chargée tel que recommandé.	La laveuse effectue un nettoyage moins performant si la charge est trop tassée.
		Charger les vêtements sans les tasser et de façon uniforme le long de la paroi du panier. Charger la laveuse uniquement avec des articles secs.
		Si l'on souhaite ajouter des vêtements une fois que la laveuse a démarré, n'en rajouter qu'un ou deux supplémentaire.
	Ajout de détergent sur le dessus de la charge.	Ajouter le détergent, les produits oxi et l'agent de blanchiment sans danger pour les couleurs au fond du panier avant de charger les articles dans la laveuse.
	Utilisation excessive de détergent.	La mousse produite par un excès de détergent peut empêcher la laveuse de fonctionner correctement. Toujours mesurer la quantité de détergent et toujours suivre les instructions du détergent en fonction de la taille et du niveau de saleté de la charge.
	Programme utilisé incorrect par rapport au type de tissu.	Utiliser une option de programme de niveau de saleté plus élevée et une température de lavage plus chaude pour améliorer le nettoyage.
		Utiliser le programme Heavy Duty (service intense) pour un nettoyage puissant. Voir le « Guide de programmes » pour utiliser le programme qui correspond le mieux à la charge utilisée.
	Distributeurs non utilisés.	Utiliser les distributeurs pour éviter que l'agent de blanchiment au chlore et l'assouplissant pour tissu ne tachent les vêtements.
Remplir les distributeurs avant de démarrer un programme.		

# Dépannage

Avant de demander une intervention de dépannage par téléphone pour votre laveuse, essayer d'abord les solutions suggérées dans cette section.

Si les phénomènes suivants se produisent	Causes possibles	Solution	
<b>La laveuse ne fonctionne pas comme prévu (suite)</b>			
Ne nettoie ou ne détache pas (suite)	Distributeurs non utilisés. (suite)	Ne pas verser de produits directement sur la charge.	
	Les couleurs similaires ne sont pas lavées ensemble.	Laver ensemble les couleurs semblables et les retirer rapidement une fois le programme terminé pour éviter tout transfert de teinture.	
Fonctionnement incorrect du distributeur	Distributeur obstrué.	Utiliser seulement un agent de blanchiment liquide dans le distributeur d'agent de blanchiment. Utiliser uniquement un assouplissant pour tissu dans le distributeur d'assouplissant pour tissu.	
Dommages aux tissus	Des objets pointus se trouvaient dans les poches au moment du programme de lavage.	Vider les poches, fermer les fermetures à glissière, les boutons pression et les agrafes avant le lavage pour éviter d'accrocher et de déchirer le linge.	
	Les cordons et les ceintures se sont peut-être emmêlés.	Attacher tous les cordons et les ceintures avant de démarrer le nettoyage de la charge.	
	Les articles étaient peut-être endommagés avant le lavage.	Raccommoder les déchirures et repriser les fils cassés des coutures avant le lavage.	
	Des dommages au tissu peuvent se produire si la charge est trop tassée.		Charger les vêtements sans les tasser et de façon uniforme le long de la paroi du panier. Charger la laveuse uniquement avec des articles secs. Charger en-deçà de la protection pour vêtements en plastique blanc.
			Utiliser le programme conçu pour les tissus à laver.
			Si l'on souhaite ajouter des vêtements une fois que la laveuse a démarré, n'en rajouter qu'un ou deux supplémentaire.
	L'agent de blanchiment au chlore n'a pas été ajouté correctement.		Ne pas verser d'agent de blanchiment au chlore liquide directement sur la charge. Essuyer tous les renversements d'agent de blanchiment.
			Un agent de blanchiment non dilué endommagera les tissus. Ne pas utiliser plus que la quantité recommandée par le fabricant.
Ne pas placer d'articles sur le dessus du distributeur d'agent de blanchiment lorsqu'on charge et décharge la laveuse.			
Les instructions de soin des vêtements n'ont peut-être pas été suivies.		Toujours lire et suivre les instructions d'entretien du fabricant indiquées sur l'étiquette du vêtement. Voir le « Guide de programmes » pour utiliser le programme qui correspond le mieux à la charge utilisée.	
Odeurs	L'entretien mensuel n'est pas effectué tel que recommandé.	Voir « Entretien de la laveuse » dans la section « Entretien de la laveuse ».	
		Décharger la laveuse dès que le programme est terminé.	
	Utilisation excessive de détergent.	Veiller à mesurer correctement. Toujours suivre les instructions du fabricant. Voir la section « Entretien de la laveuse ».	
Le témoin lumineux Lid Locked (couvercle verrouillé) clignote	Le couvercle n'est pas fermé.	Rabattre le couvercle et appuyer sur START (mise en marche). La laveuse ne démarrera et ne se remplira pas si le couvercle est ouvert.	
	Un programme a été interrompu ou suspendu à l'aide du bouton Start (Pause/Unlock) (mise en marche (pause/déverrouillage)).	La laveuse est peut-être toujours en phase d'essorage. Le couvercle ne se déverrouillera pas avant que le panier ne cesse de tourner. Si on lave des charges de grande taille ou des tissus lourds, ceci peut prendre quelques minutes.	
Le sachet de lessive à dose unique ne se dissout pas	Sachet de lessive mal utilisé.	Veiller à ajouter le sachet de lessive dans le panier de la laveuse avant d'ajouter les vêtements. Ne pas placer de sachet dans les distributeurs. Suivre les instructions du fabricant pour éviter d'endommager les vêtements.	

# Seguridad de la lavadora

## Su seguridad y la seguridad de los demás es muy importante.

Hemos incluido muchos mensajes importantes de seguridad en este manual y en su electrodoméstico. Lea y obedezca siempre todos los mensajes de seguridad.



Este es el símbolo de alerta de seguridad.

Este símbolo le llama la atención sobre peligros potenciales que pueden ocasionar la muerte o una lesión a usted y a los demás.

Todos los mensajes de seguridad irán a continuación del símbolo de advertencia de seguridad y de la palabra "PELIGRO" o "ADVERTENCIA". Estas palabras significan:

 **PELIGRO**

**Si no sigue las instrucciones de inmediato, usted puede morir o sufrir una lesión grave.**

 **ADVERTENCIA**

**Si no sigue las instrucciones, usted puede morir o sufrir una lesión grave.**

Todos los mensajes de seguridad le dirán el peligro potencial, le dirán cómo reducir las posibilidades de sufrir una lesión y lo que puede suceder si no se siguen las instrucciones.

## INSTRUCCIONES IMPORTANTES DE SEGURIDAD

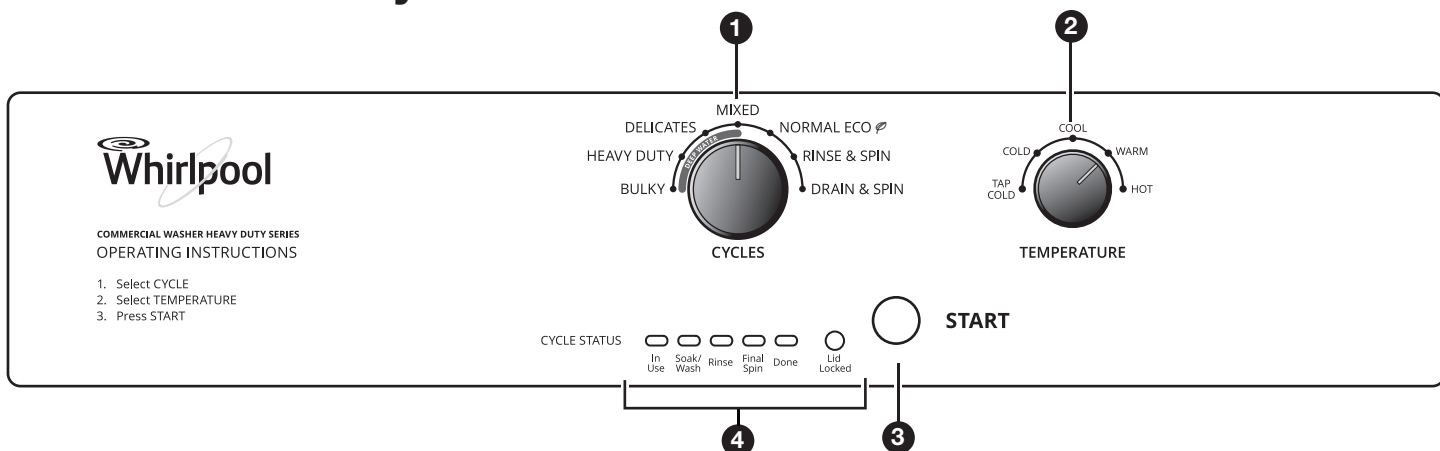
**ADVERTENCIA:** Para reducir el riesgo de incendio, choque eléctrico o lesiones a personas al usar su lavadora, siga las precauciones básicas, incluyendo las siguientes:

- Lea todas las instrucciones antes de usar la lavadora.
- No lave artículos que hayan sido previamente limpiados, lavados, remojados o humedecidos con gasolina, solventes para lavar en seco, u otras sustancias inflamables o explosivas ya que éstas emanan vapores que podrían encenderse o causar una explosión.
- No agregue gasolina, solventes para lavar en seco, u otras sustancias inflamables o explosivas al agua de lavado. Estas sustancias emanan vapores que podrían encenderse o causar una explosión.
- En ciertas condiciones, puede generarse gas hidrógeno en un sistema de agua caliente que no se haya usado por dos semanas o un período mayor. **EL GAS HIDRÓGENO ES EXPLOSIVO.** Si no se ha usado el agua caliente durante dicho período, antes de usar la lavadora, abra todos los grifos de agua caliente y deje que corra el agua por varios minutos. Esto liberará todo el gas hidrógeno que se haya acumulado. Debido a la inflamabilidad de dicho gas, no fume ni use una llama abierta durante este lapso.
- No permita que los niños jueguen encima o dentro de la lavadora. Es necesario una supervisión cuidadosa de los niños toda vez que se use la lavadora cerca de ellos.
- Antes de poner la lavadora fuera de servicio o desecharla, quítele la puerta o la tapa.
- No introduzca las manos en la lavadora si el tambor, la tina, o el agitador están funcionando.
- No instale ni almacene esta lavadora donde pudiese estar sometida a la intemperie.
- No trate de forzar los controles.
- No repare ni cambie pieza alguna de la lavadora ni intente realizar tarea alguna de servicio técnico, excepto cuando así se le indique específicamente en este manual o en instrucciones de reparación para el usuario publicadas, que usted entienda y para cuya ejecución cuente con la habilidad necesaria.
- Para obtener información respecto a las instrucciones de conexión a tierra, consulte instrucciones de instalación.
- **ADVERTENCIA:** No lave prendas resistentes o tipo resistentes al agua. No seguir de cerca estas instrucciones puede resultar en una condición de vibración anormal y desequilibrio que podría ocasionar lesiones físicas, daños a la propiedad y/o daños al aparato.

**GUARDE ESTAS INSTRUCCIONES**



# Panel de control y características



No todas las características y opciones están disponibles en todos los modelos. La apariencia puede variar.

## 1 WASH CYCLE KNOB (perilla de ciclos de lavado)

Use la perilla de ciclos de lavado para seleccionar entre los ciclos de su lavadora. La perilla no avanza durante el progreso del ciclo; vea las luces de estado del ciclo para cada etapa del proceso. Consulte “Guía de ciclos” para ver descripciones detalladas de los ciclos.

Seleccione el ciclo más adecuado para su carga. Los artículos deben moverse libremente. La ropa apretada puede conducir a un desempeño de limpieza deficiente y puede incrementar las arrugas y enredos.

La lavadora viene fijada de fábrica para enjuagues múltiples y progresivos por rociado. Al quitar el Puente J-4 sobre el Control de interfaz de tragamonedas dentro de la consola, esto cambiará el ajuste de enjuague de tipo lavado, que deberá usarse cuando se instale el depósito del suavizante de telas opcional.

## 2 TEMPERATURE (temperatura de lavado)

La temperatura de lavado detecta y mantiene temperaturas de agua uniformes al regular el agua fría y caliente que entra.

Seleccione una temperatura de lavado según el tipo de tela que esté lavando y el nivel de suciedad. Para obtener los mejores resultados y siguiendo las instrucciones de las etiquetas de las prendas, use el agua de lavado más caliente que las telas puedan resistir.

- Es posible que el agua tibia y caliente sea más fría que el de su lavadora anterior. Ciclos de aguas profundas proporcionarán temperaturas más altas durante el ciclo de lavado.
- Aun en un lavado con agua fría y fresca, se puede agregar un poco de agua tibia a la lavadora para mantener una temperatura mínima.

## 3 START BUTTON (botón de inicio)

Presiónelo para iniciar el ciclo seleccionado. Para desbloquear la tapa durante el centrifugado final, mantenga presionado durante 3 segundos para hacer una pausa en el ciclo y desbloquear la tapa. Mantenga presionado durante 10 segundos para cancelar un ciclo.

**NOTA:** Si la lavadora está exprimiendo, puede tomar varios minutos para que se desbloquee la tapa.

## 4 CYCLE STATUS LIGHTS INDICATOR (indicador de luces del estado del ciclo)



Las luces de estado del ciclo muestran el progreso de un ciclo. Es posible que note sonidos o pausas en cada etapa del proceso, los cuales son diferentes a los de las lavadoras tradicionales.

### IN USE (en uso)

Este LED permanece iluminado después de que el ciclo se inicia y permanecerá iluminado hasta que el ciclo se ha completado.

### SOAK/WASH (remojo/lavado)

Este LED permanece iluminado durante la parte de Wash (lavado) del ciclo.

### RINSE (enjuague)

Este LED permanece iluminado durante la etapa de Rinse (enjuague) del ciclo. El suavizante de telas puede añadirse en esta etapa del ciclo.

### FINAL SPIN/LID LOCKED (exprimido final/ tapa bloqueada)

El Final Spin (centrifugado final) y el LED de Lid Locked (tapa bloqueada) tanto permanecerán encendidos durante esta parte del ciclo. Si es necesario abrir la tapa antes de la finalización del ciclo, pulse y mantenga pulsado START (el botón de inicio) durante 3 segundos.

### DONE (listo)

Este LED permanece iluminado cuando el ciclo está completo. Se apagará cuando la tapa esté abierta.

**ADVERTENCIA:** No lave prendas resistentes o tipo resistentes al agua. No seguir de cerca estas instrucciones puede resultar en una condición de vibración anormal y desequilibrio que podría ocasionar lesiones físicas, daños a la propiedad y/o daños al aparato.

# Guía de ciclos

Para lograr el mejor cuidado de las telas, elija el ciclo que sea el más adecuado para la carga que va a lavar.

No todos los ciclos y opciones están disponibles en todos los modelos.

Artículos a lavar:	Ciclo:	Temperatura de lavado*:	Velocidad de exprimido:	Detalles de los ciclos:
Telas de algodón y lino	Normal Eco	Hot (Caliente) Warm (Tibia) Cool (Fresca) Cold (Fría) Tap Cold (Fría del grifo)	High (Alta)	Use este ciclo para las prendas de algodón lino.
Cargas de prendas mezcladas	Mixed (Mezclado)	Hot (Caliente) Warm (Tibia) Cool (Fresca) Cold (Fría) Tap Cold (Fría del grifo)	High (Alta)	Use este ciclo para una amplia variedad de cargas mixtas. Este ciclo presenta un enjuague bañera profunda.
Cargas de prendas mezcladas	Heavy Duty (Intenso)	Hot (Caliente) Warm (Tibia) Cool (Fresca) Cold (Fría) Tap Cold (Fría del grifo)	High (Alta)	Use este ciclo para artículos resistentes o con suciedad profunda. Este ciclo presenta un enjuague bañera profunda.
Telas inarrugables, planchado permanente y telas sintéticas, artículos empapados o artículos lavables a mano	Delicates (Ropa delicada)	Hot (Caliente) Warm (Tibia) Cool (Fresca) Cold (Fría) Tap Cold (Fría del grifo)	Low (Baja)	Use este ciclo para lavar cargas con telas inarrugables como camisas deportivas, blusas, ropa de oficina informal, fibras de planchado permanente y mezclas. Use este ciclo también para lavar prendas con suciedad ligera cuya etiqueta de cuidado indique que se use el ciclo "Sedas lavables a máquina" o "Suave." Coloque los artículos pequeños en bolsas de malla para prendas antes de lavarlos. Este ciclo presenta un enjuague bañera profunda.
Artículos grandes como sábanas, sacos de dormir, edredones pequeños, chaquetas y alfombrillas lavables	Bulky (Artículos voluminosos)	Hot (Caliente) Warm (Tibia) Cool (Fresca) Cold (Fría) Tap Cold (Fría del grifo)	High (Alta)	Use este ciclo para lavar artículos grandes como pueden ser chaquetas y edredones pequeños. La lavadora se llenará con el agua suficiente para mojar la carga antes de comenzar el período de lavado, y utiliza un nivel de agua más alto que otros ciclos.
Trajes de baño y artículos que deban enjuagarse sin detergente	Rinse & Spin (Enjuague y exprimido)	Cold (Fría)	High (Alta)	Combina un enjuague y un exprimido a alta velocidad para las cargas que requieran un ciclo de enjuague adicional o para terminar de lavar una carga después de un corte de corriente. Úselo también para las cargas que solamente necesitan enjuagarse.
Artículos lavados a mano o artículos empapados	Drain & Spin (Desagüe y exprimido)	N/A	High (Alta)	Este ciclo usa un exprimido para acortar los tiempos de secado de las telas pesadas o para los artículos de cuidado especial que se laven a mano. Use este ciclo para desaguar la lavadora después de anular un ciclo o para completar un ciclo después de un corte de corriente.

\*Todos los enjuagues son con agua fría.

# Requisitos Eléctricos

## ⚠ ADVERTENCIA



### Peligro de Choque Eléctrico

Conecte a un contacto de pared de conexión a tierra de 3 terminales.

No quite la terminal de conexión a tierra.

No use un adaptador.

No use un cable eléctrico de extensión.

No seguir estas instrucciones puede ocasionar la muerte, incendio o choque eléctrico.

# Uso de su lavadora

## ⚠ ADVERTENCIA



### Peligro de Incendio

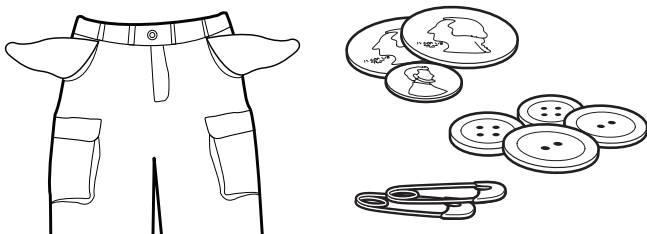
Nunca coloque en la lavadora artículos que estén humedecidos con gasolina o cualquier otro líquido inflamable.

Ninguna lavadora puede eliminar completamente el aceite.

No seque ningún artículo que haya tenido alguna vez cualquier tipo de aceite (incluyendo aceites de cocina).

No seguir estas instrucciones puede ocasionar la muerte, explosión o incendio.

## 1. Separe y prepare su ropa



- Vacíe los bolsillos. Las monedas, los botones o cualquier objeto pequeño suelto puede pasar debajo del agitador y atorarse, provocando sonidos no esperados.
- Separe los artículos según el ciclo recomendado, la temperatura del agua y la resistencia a perder el color.
- Separe los artículos con mucha suciedad de los que tienen poca suciedad.

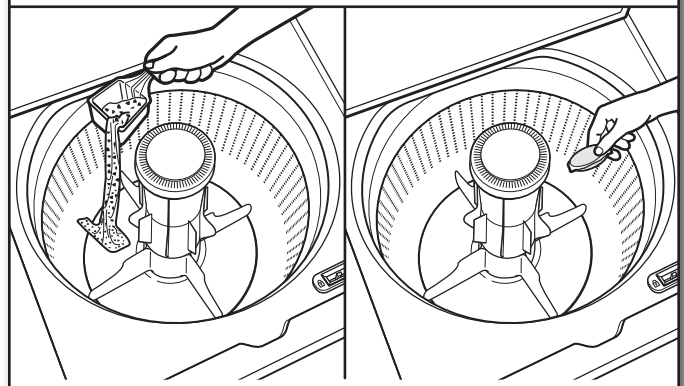
- Separe los artículos delicados de las telas resistentes.
- No seque los artículos si aún hay manchas después del lavado ya que el calor puede hacer las manchas permanentes.
- Trate las manchas inmediatamente.
- Cierre los zípers, abroche los ganchos, ate los cordones y las fajas, y quite los adornos y ornamentos que no sean lavables.
- Remiende lo que esté roto y desgarrado para evitar más daños a los artículos durante el lavado.

### Consejos útiles:

- Cuando lave artículos a prueba o resistentes al agua, colóquelos de modo parejo.
- Use bolsas de malla para prendas, para ayudar a prevenir los enredos cuando lave artículos delicados o pequeños.
- Vuelva al revés las prendas de tejido para evitar que se formen motitas. Separe las prendas que sueltan pelusa de las que la atraen. A las prendas de telas sintéticas, los tejidos, y la pana se les pegará la pelusa de las toallas, los tapetes y la felpilla.
- Para obtener un mejor desempeño, los artículos más pesados como pantalones de mezclilla, toallas y frazadas deben colocarse primero para que estén en la parte inferior de la carga combinada.

**NOTA:** Siempre lea y siga las instrucciones en las etiquetas de cuidado de las telas para evitar daños a sus prendas.

## 2. Agregue los productos de lavandería



**IMPORTANTE:** Agregue una cantidad medida de detergente o un paquete de lavandería de una dosis única dentro de la canasta.

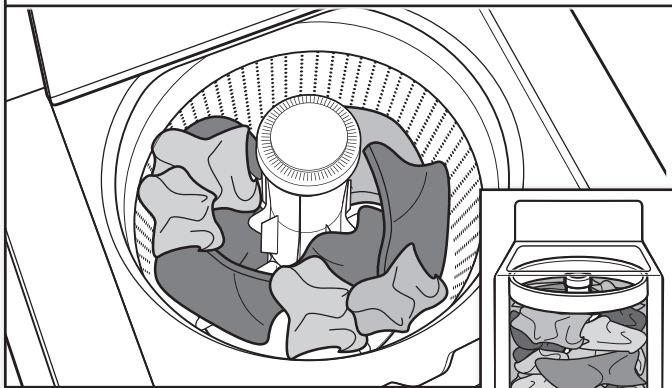
Si va a usar productos para realzar el lavado tales como Oxi, blanqueador no decolorante o cristales de suavizante de telas, agréguelos al fondo de la canasta de la lavadora antes de agregar las prendas.

Si está utilizando blanqueador líquido con cloro, añadir manualmente al agua de la lavadora.

No llene en exceso, se diluye, o usar más de 1 taza (250 ml) de blanqueador líquido con cloro. No utilice blanqueador que no destiña o Oxi productos en el mismo ciclo con cloro líquido.

**NOTA:** Siga las instrucciones del fabricante para determinar la cantidad de los productos de lavandería que debe usar. El fabricante sugiere usar detergente HE (de alto rendimiento).

### 3. Cargue las prendas en la lavadora

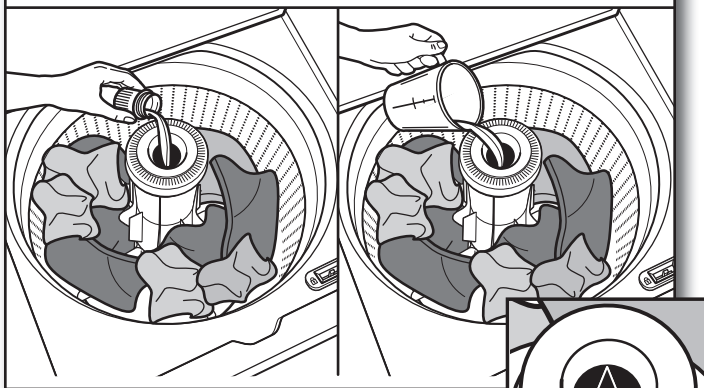


Cargue las prendas de modo uniforme en montones flojos alrededor de la pared de la canasta. Para obtener los mejores resultados, no cargue la ropa de manera apretada. No envuelva los artículos grandes tales como sábanas alrededor del agitador; cárguelos en montones flojos alrededor de la pared de la canasta. Pruebe mezclar artículos de distintos tamaños para que éstos se enreden menos.

**IMPORTANTE:** No cargue la lavadora de manera apretada ni coloque los artículos a la fuerza en la misma. Para obtener una mejor limpieza y para reducir la formación de arrugas y enredos, los artículos deben moverse libremente. Cargue los artículos más pesados primero. No cargue por encima de la tapa del agitador. No cargue ropa por encima del collar interno blanco.

### 4. Agregue suavizante de telas al depósito opcional

**NOTA:** No todas las características y opciones están disponibles en todos los modelos. La apariencia puede variar.



Vierta una cantidad medida de suavizante de telas líquido en el depósito. Siempre siga las instrucciones del fabricante para usar la cantidad correcta de suavizante de telas según el tamaño de la carga.

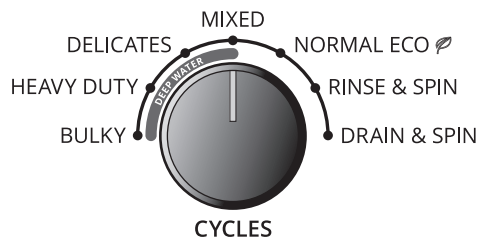
Diluya el suavizante líquido de telas llenando el depósito con agua tibia hasta que el líquido llegue a la parte inferior del borde. Vea las flechas de la línea máxima de llenado.

### Cómo agregar manualmente el suavizante para telas líquido a la carga de lavado

Durante el último enjuague, espere hasta que la lavadora se haya llenado por completo. En ese momento, la válvula de agua se cerrará y no escuchará agua ingresando a la lavadora. Levante la tapa y agregue la cantidad medida recomendada de suavizante de telas líquido. No utilice más de la cantidad recomendada. Cierre la tapa.

### 5. Seleccione un ciclo

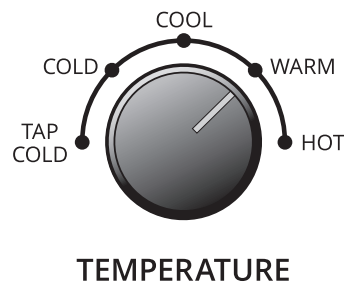
**NOTA:** No todas las características y opciones están disponibles en todos los modelos. La apariencia puede variar.



La apariencia puede variar.

Gire la perilla de los ciclos para elegir su ciclo de lavado. Para obtener más información, vea "Guía de ciclos."

### 6. Seleccione la TEMPERATURE (Temperatura de lavado)

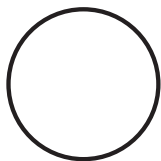


Una vez que haya seleccionado un ciclo, seleccione la temperatura de lavado deseada girando la perilla de Temperature (Temperatura de lavado) hacia el ajuste apropiado, según la carga. Todos los enjuagues son con agua fría del grifo.

**NOTA:** Siempre lea y siga las instrucciones en las etiquetas de cuidado de las telas para evitar daños a sus prendas.

Temperatura de lavado	Telas sugeridas
<b>Hot (Caliente)</b> Se agrega un poco de agua fría para ahorrar energía. Es posible que el agua esté más fría que la del ajuste de su calentador de agua.	Ropa blanca y de color pastel Prendas durables Suciedad profunda
<b>Warm (Tibia)</b> Se agregará un poco de agua fría, de modo que el agua estará más fría que el agua provista por su lavadora anterior.	Colores vivos Suciedad entre moderada y ligera
<b>Cool (Fresca)</b> Se agrega agua tibia para ayudar a remover la suciedad y disolver el detergente.	Colores que destiñen o se opacan Suciedad ligera
<b>Cold (Fría)</b> Esta es la temperatura del agua de su grifo. Si el agua de la canilla es inferior a 50 °F (10 °C), es posible que se agregue agua tibia para ayudar a remover la suciedad y disolver el detergente.	Colores oscuros que destiñen o que se opacan Suciedad ligera
<b>Tap Cold (Fría del grifo)</b> Esta es el agua de su grifo.	Colores oscuros que destiñen o que se opacan Suciedad ligera

## 7. Presione START (Inicio) para comenzar el ciclo de lavado



**START**

Presione el botón de Start (Inicio) para comenzar el ciclo de lavado. Cuando se haya terminado el ciclo, se encenderá la luz indicadora de DONE (Listo). Saque las prendas inmediatamente después de que se haya terminado el ciclo para evitar olores, reducir la formación de arrugas y evitar que se herrumbren los ganchos de metal, zípers y broches a presión.

## Mantenimiento de la lavadora

### MANGUERAS DE ENTRADA DE AGUA

Reemplace las mangueras de entrada después de 5 años de uso para reducir el riesgo de que fallen. Inspeccione periódicamente y cambie las mangueras si se hallan protuberancias, torceduras, cortes, desgaste o pérdidas de agua.

Cuando reemplace sus mangueras de entrada de agua, anote la fecha de reposición en la etiqueta con un marcador permanente.

## CUIDADO DE LA LAVADORA

### Recomendaciones para ayudar a que su lavadora limpie y rinda de la mejor manera

1. Siempre siga las instrucciones del fabricante del detergente sobre la cantidad que debe usar. Nunca use más de la cantidad recomendada, ya que puede acelerar la acumulación de residuos de detergente y suciedad en la lavadora, lo que puede causar un olor no deseado.
2. Use a veces lavados con agua tibia o caliente (no solamente lavados con agua fría), ya que los mismos pueden hacer un mejor trabajo al controlar el ritmo en el cual se acumulan la suciedad y el detergente.
3. Deje siempre la tapa de la lavadora abierta entre un uso y otro, para ayudar a que se termine de secar la lavadora y evitar la acumulación de residuos causantes de olores.

### Limpieza de la lavadora de carga superior

Lea estas instrucciones completamente antes de comenzar el proceso de limpieza de rutina que se recomienda a continuación. El procedimiento de mantenimiento de la lavadora deberá efectuarse una vez al mes o cada 30 ciclos de lavado como mínimo, lo primero que ocurra, para controlar el ritmo en el cual puedan acumularse la suciedad y el detergente en la lavadora.

### Cómo limpiar el interior de la lavadora

Para mantener la lavadora libre de olores, siga las instrucciones de uso detalladas arriba y utilice este procedimiento mensual de limpieza que recomendamos a continuación:

### Ciclo recomendado para limpiar la lavadora

Para una limpieza óptima, use blanqueador con cloro:

- a. Abra la tapa de la lavadora y saque la ropa o artículos de la misma.
- b. Agregue 1 taza (236 mL) de blanqueador líquido con cloro al canasta del lavado.

**NOTA:** El usar más blanqueador líquido con cloro de lo recomendado anteriormente puede ocasionar daños en la lavadora con el paso del tiempo.

- c. Cierre la tapa de la lavadora.
- d. No agregue detergente ni ningún otro producto químico a la lavadora cuando siga este procedimiento.
- e. Seleccione el ciclo Heavy Duty (Intenso).
- f. Presione el botón de Start (Inicio) para comenzar el ciclo.

**NOTA:** No interrumpa el ciclo.

### Limpieza del dispensador de suavizante de telas

Después de usar la lavadora durante cierto tiempo, es posible que encuentre acumulación de residuos. Para quitar los restos del dispensador, límpielo con un paño húmedo y seque con una toalla. Use un limpiador multiuso para superficies, si es necesario.

### Cómo limpiar el exterior de la lavadora

Use un paño suave y húmedo o una esponja para limpiar cualquier derrame. Utilice sólo limpiadores o jabones suaves para limpiar las superficies externas de la lavadora.

**IMPORTANTE:** Para evitar dañar el acabado de la lavadora, no use productos abrasivos.

**NOTA:** El ciclo Clean Washer (Limpiar la lavadora) debe usarse 1 o 2 veces al año. Verifique la Hoja técnica para acceder al ciclo de Clean Washer (Limpiar la lavadora) en el modo de prueba de diagnóstico.

## CUIDADO DURANTE LA FALTA DE USO Y LAS VACACIONES

Si va a mudarse o no va a usar la lavadora durante cierto período, siga esos pasos:

1. Desenchufe la lavadora o desconecte el suministro de energía a la misma.
2. Cierre el suministro de agua a la lavadora para evitar inundaciones debidas a aumentos en la presión del agua.

## CUIDADO PARA EL ALMACENAMIENTO DURANTE EL INVIERNO

**IMPORTANTE:** Para evitar daños, instale y guarde la lavadora en un lugar donde no se congele. Debido a que queda un poco de agua en las mangueras, el congelamiento de la misma podría dañar la lavadora. Si va a almacenar o mover su lavadora durante una temporada de invierno riguroso, acondiciónela para el invierno.

**Para acondicionar la lavadora para el invierno:**

1. Cierre ambos grifos de agua; desconecte y escurra el agua de las mangueras de llenado.
2. Vierta un 1 cuarto (1 L) de anticongelante tipo R.V. en la canasta y ponga a funcionar la lavadora en un ciclo durante unos 30 segundos para mezclar el anticongelante con el agua restante.
3. Desenchufe la lavadora o desconecte el suministro de energía.

## TRANSPORTE DE LA LAVADORA

1. Cierre ambos grifos de agua. Desconecte y elimine el agua de las mangueras de entrada de agua.
2. Si se va a trasladar la lavadora durante una temporada de invierno riguroso, siga las instrucciones descritas en "Cuidado para el almacenamiento durante el invierno" antes de la mudanza.
3. Desconecte el desagüe del sistema de desagüe y drene el agua restante en una olla o cubeta. Desconecte la manguera de desagüe de la parte posterior de la lavadora.
4. Desenchufe el cable eléctrico.
5. Ponga las mangueras de entrada y la manguera de desagüe en el interior de la canasta de la lavadora.
6. Pase el cable eléctrico sobre el borde y colóquelo dentro de la canasta de la lavadora.
7. Coloque la bandeja de empaque de los materiales de envío originales nuevamente en el interior de la lavadora. Si no cuenta con bandeja de empaque, coloque frazadas o toallas pesadas en la abertura de la canasta. Cierre la tapa y coloque cinta sobre la misma hacia el frente a la lavadora. Mantenga la tapa pegada con cinta adhesiva hasta que se coloque la lavadora en su nuevo lugar.
8. Vuelva a instalar el cono de envío inferior si está disponible.

## ⚠ ADVERTENCIA



### Peligro de Choque Eléctrico

**Conecte a un contacto de pared de conexión a tierra de 3 terminales.**

**No quite la terminal de conexión a tierra.**

**No use un adaptador.**

**No use un cable eléctrico de extensión.**

**No seguir estas instrucciones puede ocasionar la muerte, incendio o choque eléctrico.**

## CÓMO REINSTALAR O USAR LA LAVADORA NUEVAMENTE

Para reinstalar la lavadora después de la falta de uso, vacaciones, almacenamiento durante el invierno o mudanza:

1. Consulte las Instrucciones de instalación para ubicar, nivelar y conectar la lavadora.
2. Antes de usar la lavadora nuevamente, póngala a funcionar siguiendo el procedimiento recomendado a continuación:

**Para volver a usar la lavadora:**

1. Deje correr el agua por los tubos y las mangueras. Vuelva a conectar las mangueras de entrada de agua. Abra ambos grifos de agua.
2. Enchufe la lavadora o reconecte el suministro de energía.
3. Ponga a funcionar la lavadora en el ciclo de Normal para limpiarla y para quitar el anticongelante, de haberlo usado. Use la mitad de la cantidad recomendada por el fabricante para una carga de tamaño mediano.

# Solución de problemas

Antes de llamar al servicio técnico, intente las soluciones sugeridas en esta sección.

Si experimenta lo siguiente	Causas posibles	Solución
<b>Vibración o sacudida</b>		
Verifique lo siguiente para la instalación adecuada o vea la sección "Uso de la lavadora."	Es posible que las patas no estén haciendo contacto con el piso y no estén aseguradas al gabinete.	Las patas frontales y posteriores deberán hacer contacto firme con el piso y la lavadora deberá estar nivelada para funcionar adecuadamente.
	Es posible que la lavadora no esté nivelada.	Revise si el piso está irregular o hundido. Si el piso no está parejo, el colocar una pieza de madera de 3/4" (19 mm) debajo de la lavadora reducirá el sonido.
		Vea "Nivelación de la lavadora" en las Instrucciones de instalación.
	La carga podría estar desequilibrada o enroscada.	Cargue los artículos secos de modo uniforme en montones flojos alrededor de la pared de la canasta. El agregar artículos mojados o agregar más agua a la canasta podría causar un desequilibrio en la lavadora.
		Lave cargas más pequeñas para reducir el desequilibrio.
		No cargue de manera apretada. Evite lavar un solo artículo.
		Use el ciclo Heavy Duty (Intenso) para los artículos muy grandes no absorbentes, tales como edredones y chaquetas con relleno de poliéster.
Vea "Guía de ciclos" y "Uso de la lavadora" en este Manual de uso y cuidado.		
<b>Ruidos</b>		
Chasquidos o ruidos metálicos	Objetos atrapados en el sistema de desagüe de la lavadora.	Vacíe los bolsillos antes del lavado. Los artículos sueltos, tales como monedas, podrían caer entre la canasta y la tina o bloquear la bomba. Tal vez sea necesario solicitar servicio técnico para quitar los artículos.
		Es normal escuchar el ruido de los artículos de metal en las prendas, tales como broches a presión de metal, hebillas o cierres cuando tocan la canasta.
Gorgoteo o zumbido	La lavadora puede estar desaguándose.	Es normal escuchar que la bomba haga un sonido continuo de zumbido, con gorgoteos periódicos o repentinos, a medida que salen los últimos restos de agua durante los ciclos de Drain & Spin (Desagüe y Exprimido).
Zumbido	Es posible que esté en marcha una detección de la carga.	Puede ser que escuche el zumbido de los giros de detección después de haber puesto en marcha la lavadora. Esto es normal.
<b>Fugas de agua</b>		
Verifique que lo siguiente esté instalado adecuadamente:	La lavadora no está nivelada.	Es posible se salpique agua de la canasta si la lavadora no está nivelada. Verifique que la carga no esté desequilibrada ni se haya cargado apretada.
	Las mangueras de llenado no están bien sujetas.	Apriete la conexión de la manguera de llenado.
	Arandelas de la manguera de llenado.	Cerciórese de que estén debidamente colocadas las cuatro arandelas planas de las mangueras de llenado.
	Conexión de la manguera de desagüe.	Jale la manguera de desagüe de la carcasa de la lavadora y asegúrela correctamente al tubo vertical o tina de lavadero.
		No coloque cinta adhesiva sobre la abertura del desagüe.
	Revise la plomería de la casa para ver si hay fugas o si el fregadero o el desagüe está obstruido.	Es posible que el agua se salga de un lavadero o tubo vertical bloqueado. Revise toda la plomería de la casa y fíjese si hay fugas de agua (tinajas de lavadero, tubo de desagüe, tubos de agua y grifos).
La lavadora no se ha cargado adecuadamente.	El cargar inadecuadamente puede hacer que la canasta quede desalineada y que salpique agua fuera de la tina. Vea "Uso de su lavadora" para las instrucciones de carga.	

# Solución de problemas

Antes de llamar al servicio técnico, intente las soluciones sugeridas en esta sección.

Si experimenta lo siguiente	Causas posibles	Solución
<b>La lavadora no funciona como se esperaba</b>		
La lavadora no funciona o no se llena, la lavadora se detiene	Verifique si hay el suministro adecuado de agua.	Deberán sujetarse ambas mangueras y tener flujo de agua a la válvula de llenado.
		Los grifos de agua fría y caliente deben estar abiertos.
		Revise que los filtros de la válvula de entrada no se hayan obstruido.
		Revise si hay torceduras en las mangueras de entrada, las cuales pueden restringir el flujo de agua.

## ⚠ ADVERTENCIA



### Peligro de Choque Eléctrico

Conecte a un contacto de pared de conexión a tierra de 3 terminales.

No quite la terminal de conexión a tierra.

No use un adaptador.

No use un cable eléctrico de extensión.

No seguir estas instrucciones puede ocasionar la muerte, incendio o choque eléctrico.

La lavadora no funciona o no se llena, la lavadora se detiene (cont.)	Verifique que el suministro eléctrico sea el adecuado.	Conecte el cable eléctrico a un contacto de pared de conexión a tierra de 3 terminales.
		No use un cable eléctrico de extensión.
		Cerciórese de que haya suministro eléctrico en el contacto y que la polaridad sea correcta.
		Reposicione el cortacircuitos si se ha disparado. Reemplace los fusibles que se hayan quemado. <b>NOTA:</b> Si los problemas continúan, contacte a un electricista.
Funcionamiento normal de la lavadora.		La tapa deberá estar cerrada para que funcione la lavadora.
		La lavadora hará una pausa durante ciertas fases del ciclo. No interrumpa el ciclo.
Puede ser que la lavadora se haya cargado de manera apretada.		Presione START (PAUSE/UNLOCK) (Inicio (Pausa/Desbloquear)) durante 3 segundos y espere a que la tapa se desbloquee. Saque varios artículos, vuelva a arreglar la carga uniformemente en la canasta, y agregue el detergente. Cierre la tapa y presione START (Inicio).
		No agregue más de 1 ó 2 artículos adicionales después de que haya comenzado el ciclo, para evitar cargar de manera apretada o desequilibrar la lavadora.
Todos los LED permanecen encendidos	Código de error	Intente desenchufando la lavadora por 10 segundos y vuélvala a enchufar para reiniciar el control.
		Verifique el suministro de agua sea adecuado según lo anterior.
La lavadora no desagua/exprime, las cargas todavía están mojadas o la luz de exprimido permanece encendida (lo que indica que la lavadora no pudo drenar el agua en menos de 10 minutos)	Es posible que los artículos pequeños hayan quedado atrapados en la bomba o entre la canasta y la tina, lo que puede enlentecer el desagüe.	Vacíe los bolsillos y use bolsas para prendas para los artículos pequeños.
	Use un ciclo con una velocidad baja de exprimido.	Los ciclos con velocidades de exprimido más bajas quitan menos agua que los ciclos con velocidades de exprimido más altas. Use el ciclo/la velocidad de exprimido recomendado para la prenda. Para remover el agua adicional de la carga en un modelo sin pago, seleccione Final Spin (Exprimido final). Tal vez deba reacomodarse la carga para permitir una distribución uniforme de la carga en la canasta.



# Solución de problemas

Antes de llamar al servicio técnico, intente las soluciones sugeridas en esta sección.

Si experimenta lo siguiente	Causas posibles	Solución
<b>La lavadora no funciona como se esperaba (cont.)</b>		
La lavadora no desagua/exprime, las cargas todavía están mojadas o la luz de exprimido permanece encendida (lo que indica que la lavadora no pudo drenar el agua en menos de 10 minutos) (cont.)	La lavadora puede estar cargada de manera apretada o desequilibrada.	El cargar apretadamente o las cargas desequilibradas posiblemente no permitirán que la lavadora exprima correctamente, dejando la carga más mojada de lo normal. Distribuya la carga mojada de modo uniforme para que pueda girar en equilibrio en un modelo sin pago. Seleccione el ciclo de Final Spin (Exprimido final) para sacar el agua en exceso. Vea "Uso de la lavadora" para obtener recomendaciones sobre cómo cargar.
	Revise la plomería para ver si está instalada correctamente la manguera de desagüe. La manguera de desagüe se extiende dentro del tubo vertical más de 4,5" (114 mm).	Revise la manguera de desagüe para ver si está instalada correctamente. Use el molde de la manguera de desagüe y sujételo bien al tubo vertical o a la tina. No ponga cinta adhesiva sobre la abertura del desagüe. Baje la manguera de desagüe si el extremo está a más de 96" (2,4 m) por encima del piso. Quite lo que esté obstruyendo la manguera de desagüe.
	Se ha agregado demasiado detergente, ocasionando espuma excesiva que enlentece o detiene el desagüe y el exprimido.	Mida siempre el detergente y siga las instrucciones del mismo para su carga. Para quitar el exceso de espuma en un modelo sin pago, seleccione Rinse & Spin (Enjuague y exprimido). No agregue detergente.
Partes secas en la carga después del ciclo	Los exprimidos a alta velocidad quitan mayor humedad que en las lavadoras tradicionales de carga superior.	Las altas velocidades de exprimido, combinadas con el flujo de aire durante el exprimido final, pueden hacer que partes de los artículos que están cerca de la parte superior de la carga se sequen durante el exprimido final. Esto es normal.
Temperaturas incorrectas o equivocadas de lavado o enjuague	Verifique si hay el suministro adecuado de agua.	Cerciórese de que no estén invertidas las mangueras de entrada de agua caliente y agua fría.
		Ambas mangueras deberán sujetarse a la lavadora y al grifo, y deberán tener flujo de agua caliente y fría a la válvula de entrada.
		Revise que los filtros de la válvula de entrada no estén obstruidos.
	Enderece las torceduras que pueda haber en las mangueras.	
Temperaturas de lavado con control de ahorro de energía.	Esta lavadora usa temperaturas de agua y enjuague más frías que su lavadora anterior. Esto incluye lavados con agua no tan tibia ni tan caliente.	
La carga no está enjuagada	Verifique si hay el suministro adecuado de agua.	Cerciórese de que no estén invertidas las mangueras de entrada de agua caliente y agua fría.
		Deberán sujetarse ambas mangueras y tener flujo de agua a la válvula de llenado.
		Deberán estar abiertos los grifos de agua fría y caliente.
		Es posible que estén obstruidos los filtros de la válvula de entrada en la lavadora.
		Enderece las torceduras que pueda haber en la manguera de entrada.
	Se está usando demasiado detergente.	Es posible que la espuma ocasionada por usar mucho detergente impida que la lavadora funcione correctamente. Mida siempre el detergente y siga las instrucciones del mismo según el tamaño de la carga y el nivel de suciedad.
	No se ha cargado la lavadora según lo recomendado.	La lavadora es menos eficaz en el enjuague cuando la carga está apretada.
		Cargue las prendas de modo uniforme en montones flojos alrededor de la pared de la canasta. Cargue solamente con artículos secos. No cargue por encima de la base de protección de ropa de plástico blanco.
Use el ciclo diseñado para las telas que se van a lavar.		
	Agregue solamente 1 ó 2 artículos después de que la lavadora haya comenzado.	

# Solución de problemas

Antes de llamar al servicio técnico, intente las soluciones sugeridas en esta sección.

Si experimenta lo siguiente	Causas posibles	Solución
<b>La lavadora no funciona como se esperaba (cont.)</b>		
Hay arena, pelo de mascotas, pelusa, etc. en la carga después del lavado	Los depósitos difíciles de arena, pelo de mascotas, pelusa y residuos de detergente, suavizante de telas, o blanqueador sin cloro pueden requerir enjuague adicional.	Use un ciclo Heavy Duty (Intenso).
La carga está enredada	No se ha cargado la lavadora según lo recomendado.	Vea la sección "Uso de la lavadora."
		Seleccione un ciclo con una acción de lavado y velocidad de exprimido más lenta; tenga en cuenta que los artículos estarán más mojados que aquéllos que usan un exprimido a velocidad más alta. Consulte la "Guía de ciclos" para ver cuál es el mejor ciclo para su carga.
		Cargue las prendas de modo uniforme en montones flojos alrededor de la pared de la canasta.
		Reduzca los enredos mezclando diferentes tipos de artículos en la carga. Use el ciclo recomendado para el tipo de prendas que se van a lavar.
No limpia o no quita las manchas	La lavadora no se ha cargado adecuadamente.	La lavadora es menos eficaz en el enjuague cuando la carga está apretada.
		Cargue las prendas de modo uniforme en montones flojos alrededor de la pared de la canasta. Cargue solamente con artículos secos.
		Agregue solamente 1 ó 2 artículos después de que la lavadora haya comenzado.
	Se está agregando detergente sobre la carga.	Agregue el detergente, los productos Oxi y el blanqueador no decolorante al fondo de la canasta antes de poner las prendas en la misma.
	Se está usando demasiado detergente.	Es posible que la espuma ocasionada por usar mucho detergente impida que la lavadora funcione correctamente. Mida siempre el detergente y siga las instrucciones del fabricante según el tamaño de la carga y el nivel de suciedad.
	No está usando el ciclo correcto para el tipo de tela.	Use una opción de ciclo con nivel de suciedad más alto y temperatura de lavado más caliente para mejorar la limpieza.
		Use el ciclo Heavy Duty (Intenso) para una limpieza intensa. Consulte la "Guía de ciclos" para ver cuál es el mejor ciclo para su carga.
	No está usando los depósitos.	Use los depósitos para evitar que el blanqueador con cloro y el suavizante de telas manchen la ropa.
Cargue los depósitos antes de comenzar un ciclo.		
No agregue los productos directamente sobre la carga.		
No está lavando los colores similares juntos.	Lave los colores similares juntos y quite la carga inmediatamente después de que se termine el ciclo, para evitar la transferencia de tinte.	
Funcionamiento incorrecto del depósito	El depósito está obstruido.	Use solamente blanqueador con cloro líquido en el depósito para el blanqueador. Use solamente suavizante de telas en el depósito del suavizante de telas.

# Solución de problemas

Antes de llamar al servicio técnico, intente las soluciones sugeridas en esta sección.

Si experimenta lo siguiente	Causas posibles	Solución	
<b>La lavadora no funciona como se esperaba (cont.)</b>			
Daños en las telas	Había objetos filosos en los bolsillos durante el ciclo de lavado.	Vacíe los bolsillos, cierre los zípers, los broches de presión y los corchetes antes del lavado para evitar enganches y rasgaduras.	
	Es posible que se hayan enredado los cordones y las fajas.	Ate todos los cordones y las fajas antes de comenzar a lavar la carga.	
	Los artículos pueden haberse dañado antes del lavado.	Remiende lo que esté roto y descosido antes del lavado.	
	Si la carga está apretada, las telas pueden dañarse.		Cargue las prendas de modo uniforme en montones flojos alrededor de la pared de la canasta. Cargue solamente con artículos secos. Cargue debajo de la protección de ropa de plástico blanco.
			Use el ciclo diseñado para las telas que se van a lavar.
			Agregue solamente 1 ó 2 artículos después de que la lavadora haya comenzado.
	El blanqueador líquido con cloro puede haberse agregado incorrectamente.		No vierta el blanqueador líquido con cloro directamente en la carga. Limpie los derrames del blanqueador.
			El blanqueador no diluido daña los tejidos. No use más de lo recomendado por el fabricante.
No coloque los artículos sobre el depósito del blanqueador cuando ponga o quite la ropa de la lavadora.			
Tal vez no se hayan seguido las instrucciones de las etiquetas de las prendas.		Lea y siga siempre las instrucciones de la etiqueta de cuidado proporcionadas por el fabricante de la prenda. Consulte la "Guía de ciclos" para ver cuál es el mejor ciclo para su carga.	
Olores	No se ha hecho el mantenimiento mensual según lo recomendado.	Vea "Cuidado de la lavadora" en "Mantenimiento de la lavadora."	
		Descargue la lavadora en cuanto termine el ciclo.	
	Se está usando demasiado detergente.		Cerciórese de medirlo correctamente. Siga siempre las indicaciones del fabricante.
Vea la sección "Cuidado de la lavadora."			
La luz de Lid Locked (Tapa bloqueada) está destellando	La tapa no está cerrada.	Cierre la tapa y presione START (Inicio). La lavadora no se pondrá en marcha ni se llenará con la tapa abierta.	
	Un ciclo se ha detenido o puesto en pausa con el botón de Start (Pause/Unlock) (Inicio (Pausa/Desbloquear)).	Puede ser que la lavadora aún esté exprimiendo. La tapa no se desbloqueará hasta que la canasta haya dejado de girar. Esto puede tomar varios minutos si se están lavando cargas grandes o telas pesadas.	
No se disuelve el paquete de detergente de lavandería de una dosis única	Se está agregando el paquete de detergente de lavandería de modo incorrecto.	Cerciórese de que el paquete de detergente de lavandería se agregue al tambor de la lavadora antes de agregar las prendas. No agregue el paquete al depósito. Siga las instrucciones del fabricante para evitar que se dañen las prendas.	

## Assistance or Service

Before calling for assistance or service, please check "Troubleshooting" or visit [www.whirlpool.com/owners](http://www.whirlpool.com/owners). It may save you the cost of a service call. If you still need help, follow the instructions below.

When calling, please know the date of delivery of the purchase and the complete model and serial number of your appliance. This information will help us to better respond to your request.

---

### If you need replacement parts or to order accessories

We recommend that you use only FSP® Factory Specified Parts. These parts will fit right and work right because they are made with the same precision used to build every new WHIRLPOOL® appliance.

**To locate FSP® replacement parts or accessories, go to [www.whirlpoolparts.com](http://www.whirlpoolparts.com).**

Questions? Call us toll free at **1-800-662-3587**.

---

### Our consultants provide assistance with

#### In the U.S.A.

- Features and specifications on our full line of appliances.
- Installation information.
- Specialized customer assistance (Spanish speaking, hearing impaired, limited vision, etc.).

#### In the U.S.A. and Canada

- Use and maintenance procedures.
- Accessory and repair parts sales.
- Referrals to local dealers, repair parts distributors, and service companies. Whirlpool designated service technicians are trained to fulfill the product warranty and provide after-warranty service, anywhere in the United States and Canada.

For email correspondence: [fr\\_partsteam@whirlpool.com](mailto:fr_partsteam@whirlpool.com)

Please include a daytime phone number in your correspondence.

---

## Assistance ou Service

Avant de faire un appel pour obtenir de l'assistance ou un entretien, vérifier la section "Dépannage" ou consulter [www.whirlpool.ca/owners](http://www.whirlpool.ca/owners). Cette vérification peut vous faire économiser le coût d'une visite de réparation.

Si vous avez encore besoin d'aide, suivre les instructions ci-dessous.

Avant d'appeler, ayez à portée de la main la date de livraison, ainsi que les numéros de modèle et de série complets de l'appareil. Ces renseignements nous aideront à mieux répondre à votre demande.

---

### Pour commander des pièces de rechange ou des accessoires

Pour commander des pièces de rechange, nous vous recommandons d'utiliser seulement des pièces spécifiées par l'usine. Ces pièces conviendront et fonctionneront bien parce qu'elles sont fabriquées selon les mêmes spécifications précises utilisées pour construire chaque nouvel appareil WHIRLPOOL®.

**Pour trouver des pièces de rechange FSP® ou des accessoires, visiter le [www.whirlpool.ca](http://www.whirlpool.ca).**

Des questions? Composer le numéro sans frais **1-800-662-3587**.

---

### Nos consultants fournissent l'assistance pour :

- Procédés d'utilisation et d'entretien.
- Vente d'accessoires et de pièces de rechange.
- Références aux concessionnaires, compagnies de service de réparation et distributeurs de pièces de rechange locaux. Les techniciens de service désignés par Whirlpool sont formés pour remplir la garantie des produits et fournir un service après la garantie, partout au Canada.

### Pour plus d'assistance

Pour toute communication par courrier électronique :  
[fr\\_partsteam@whirlpool.com](mailto:fr_partsteam@whirlpool.com)

Dans votre correspondance, veuillez indiquer un numéro de téléphone où nous pouvons vous joindre dans la journée.

# Ayuda o Servicio Técnico

Antes de llamar para solicitar ayuda o servicio técnico, consulte “Solución de problemas” o visite [www.whirlpool/help](http://www.whirlpool/help). Esto le podría ahorrar el costo de una llamada de servicio técnico. Si considera que aún necesita ayuda, siga las instrucciones que aparecen a continuación.

Cuando llame, tenga a mano la fecha de entrega y los números completos de modelo y de serie del electrodoméstico. Esta información nos ayudará a atender mejor a su pedido.

---

## Si necesita piezas de repuesto o pedir accesorios

Recomendamos que use solamente piezas especificadas de fábrica FSP®. Estas piezas encajarán bien y funcionarán bien ya que están fabricadas con la misma precisión empleada en la fabricación de cada electrodoméstico nuevo de marca WHIRLPOOL®.

**Para ubicar piezas de repuesto FSP® o para accesorios visite [www.whirlpoolpartsonline.com](http://www.whirlpoolpartsonline.com)**

¿Tiene preguntas? Llámenos al número gratuito **1-800-662-3587**.

---

## Nuestros consultores ofrecen ayuda para

### En los EE. UU.

- Características y especificaciones de nuestra línea completa de electrodomésticos.
- Información sobre la instalación.
- Asistencia especializada para el cliente (habla hispana, problemas de audición, visión limitada, etc.).

### En los EE. UU. y Canadá

- Procedimientos de uso y mantenimiento.
- Venta de accesorios y partes para reparación.
- Recomendaciones con distribuidores locales, distribuidores de partes para reparación y compañías que otorgan servicio. Los técnicos de servicio designados por Whirlpool están capacitados para cumplir con la garantía de producto y ofrecer servicio una vez que la garantía termine, en cualquier lugar de los Estados Unidos y Canadá.

Para correspondencia por correo electrónico: [fr\\_partsteam@whirlpool.com](mailto:fr_partsteam@whirlpool.com)

Por favor incluya en su correspondencia un número de teléfono en el que se le pueda localizar durante el día.

# NOTES

# NOTES

