

**36" 19.8 cu.ft. Counter-Depth French Door Refrigerator, Interior Water, ENERGY STAR®****BRFD2230XSS2****Key Features & Benefits****Blue Light Technology**

Blue Light Technology keeps fruits and vegetables fresh and vibrant long after they're picked. Continuous blue light rays illuminate the crisper, allowing photosynthesis to persist, extending shelf life while preserving natural flavors, colours, and nutrients.

Fingerprint-Free Stainless Steel

Keep your kitchen looking beautiful with easy-to-clean Fingerprint-Free Stainless Steel—say goodbye to fingerprints and smudges!

Counter-Depth

These Counter-Depth Refrigerators are designed to blend seamlessly with your countertop, featuring hidden hinges and discreet, tucked-away feet for a truly built-in look and feel.

IonFresh

IonFresh generates negative ions inside the refrigerator to capture and neutralize airborne bacteria, odour-causing microbes, and ethylene gas. This helps extend the freshness of fruits and vegetables while keeping the air clean and smelling fresh.

GENERAL PROPERTIES

Type	Free Standing
Style	Counter Depth
Exterior Finish	Fingerprint Free Stainless Steel
Door Configuration - Freezer	Pull Out Drawer
Cooling System	Duo Cycle Frost Free Cooling
Control Type	Electronic Controls
Display Type	LED Digital Display
Display Location	Top Front
Compressor	Variable Speed VCC
Automatic Ice Maker	Yes
Internal Water Dispenser	Yes
Water Filter	Yes - 4874960100
Freezer Guard - Garage Ready	No

FRESH FOOD SECTION FEATURES

Blue Light Technology	Yes
Auto Defrost	Yes
Odour Control Technology	IonFresh
Interior Lighting Type	LED Lighting
Lighting Location	Side Walls
Door Open Alarm	Yes
# of Shelves	4 - Cantilever
Shelf Material	Tempered Glass
# of Crispers	2 - Half Width (Humidity Controlled)
Full Width Drawer	Yes
# of Door Bins	6
Gallon-Sized Door Bins	2
Sabbath Mode	Yes
Quick Cool/Freeze	Yes
Vacation Mode	Yes

FREEZER SECTION FEATURES

Auto Defrost	Yes
# of Drawers / Baskets / Bins	1
Lighting	No

CAPACITY

Total Capacity	19.86 cu.ft.
Fresh Food Capacity	13.3 cu.ft.
Freezer Capacity	6.56 cu.ft.

TECHNICAL DETAILS

Rated Current	2.2 A
Minimum Circuit Breaker Size	15 Amps
Volts	120 V
Frequency	60 Hz
Power Cord Length	6 ft.
Plug Type	NEMA 3-Prong
Sound Level	39 dBA

DIMENSIONS & WEIGHT

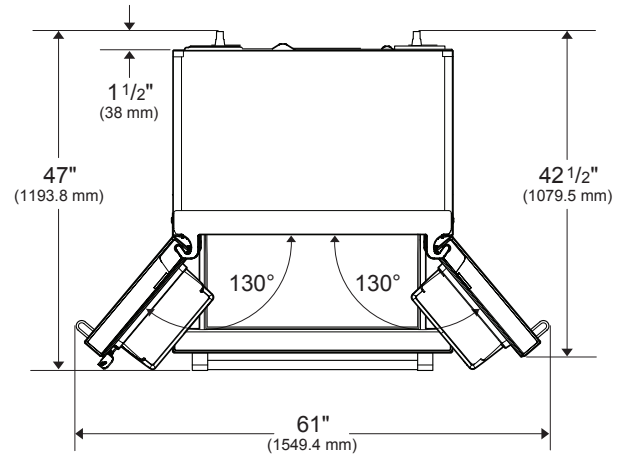
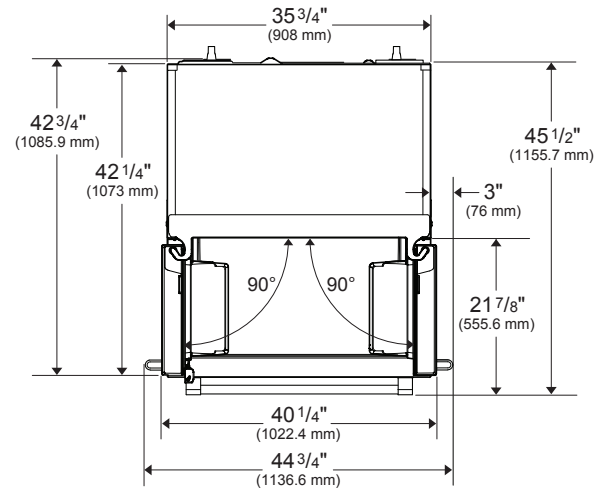
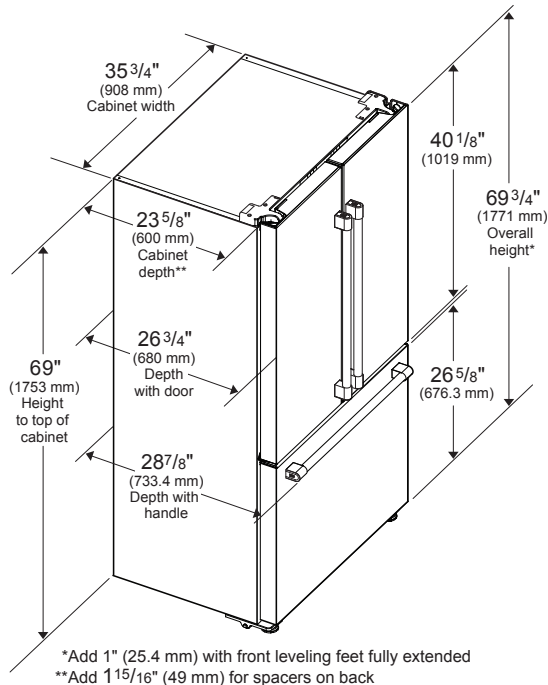
Appliance Dimensions (H x W x D)	69 3/4" x 35 3/4" x 29 1/64"
Minimum Clearance Needed - Top	2"
Minimum Clearance Needed - Sides	1/8"
Minimum Clearance Needed - Back	1"
Product Weight	298

EFFICIENCY

ENERGY STAR® Certified	Yes - Most Efficient
Energy Consumption	566 kwh/year

**36" 19.8 cu.ft. Counter-Depth French Door Refrigerator, Interior Water, ENERGY STAR®****BRFD2230XSS2**

Dimensions and Installation



1 YEAR	2 YEARS	5 YEARS
FULL WARRANTY	PARTS WARRANTY	SEALED SYSTEM

NOTE TO THE INSTALLER: All height, width and depth dimensions are shown in inches (as well as metric). Beko US Inc., reserves the absolute and unrestricted right to change product materials and specifications, at any time, without notice. Please visit our website (Canada) www.blombergappliances.ca / (USA) www.blombergappliances.com to verify the latest specifications with final dimensional data and other details prior to installation and making a cutout. Applicable product limited warranty information may be found in accompanying product materials or you may contact your account manager for further details. Proper installation is the responsibility of the installer. Product failure due to improper installation is not covered under the Limited Warranty.

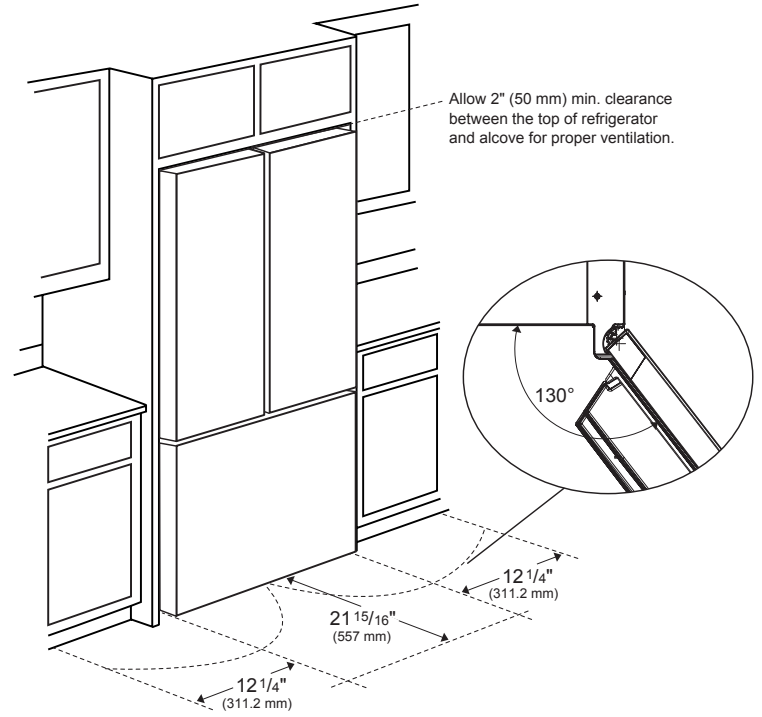
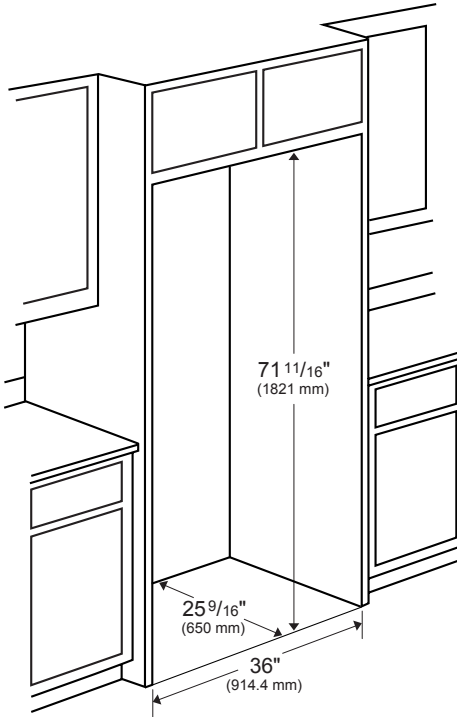
Canada: www.blombergappliances.ca
 USA: www.blombergappliances.com



36" 19.8 cu.ft. Counter-Depth French Door Refrigerator, Interior Water, ENERGY STAR[®]

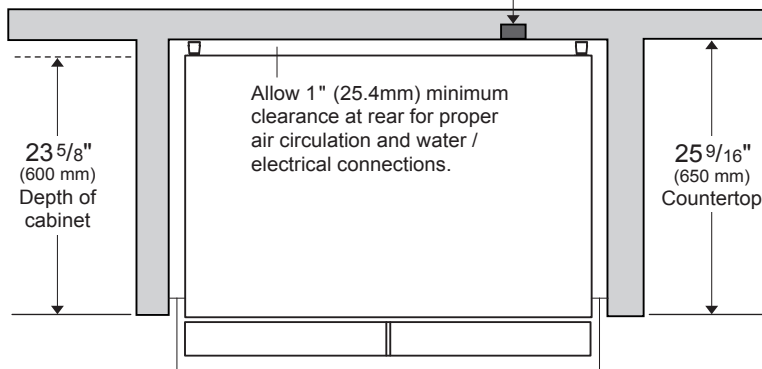
BRFD2230XSS2

Dimensions and Installation



Top view

Recessed electrical outlet



Allow 2" (50 mm) min. clearance between the top of refrigerator and alcove.

Electrical Location (3.2 mm min.)

Water Location (Models with Ice Maker) (3.2 mm min.)

