

**28 INCH COUNTER DEPTH BOTTOM-FREEZER REFRIGERATOR****BRFB1542SS****Duo-Cycle Cooling**

Ingenious Blomberg refrigerators are equipped with advanced multi-cycle, no-frost, silent cooling technology. Independently zoned and controlled cooling systems maintain even air temperature and humidity in separate freezer and fresh-food compartments, delivering enhanced food preservation and maximum energy efficiency. No air transfer between compartments means food in the freezer section freezes faster, items in the refrigerator stay fresher longer, and odors don't circulate.

**Digital Display**

Blomberg refrigerators feature bright, accessible digital displays that simplify programming and put you in control of performance.

**Automatic Ice Machine**

Whether you are getting ready for a big party or just keeping up with your busy family life, there is never a need to rush out and buy ice. The Blomberg automatic icemaker can produce up to 2.2 pounds of ice per day.

**Flexi-rack**

Featured in certain Blomberg refrigerators, this versatile chrome bottle holder suspends from a shelf to provide convenient extra storage. Ideal for chilling wine or keeping tall bottles of cold water on hand, this practical accessory makes the most of every inch of space.

**GENERAL**

Cooling system	Duo Cycle Frost Free Cooling
Control system	Electronic Control
Reversible Door	Yes

CAPACITIES

Total net volume, cu. ft.	13.8
Fresh food net volume, cu. ft.	9.98
Freezer net volume, cu. ft.	3.82

FRIDGE FEATURES

Electronic control display type	Inner Digital Display
Auto defrost	Yes
Inner illumination	LED - Side walls
Door open alarm	Yes
Shelves	3 - Full depth, height adjustable
Crispers	1
Door Racks - Full width	3
Compressor	Variable Speed VCC

FREEZER FEATURES

Auto defrost	Yes
Freezer Drawers	2
Automatic Ice Maker w/ Tap Water Connection	Ice Making Capacity (lbs/day): 2.2 lbs

TECHNICAL INFORMATION

Supply voltage, V/Hz	120/60
Rated Current, A	2.0
Noise level, dBA	40

DIMENSIONS

HxWxD, in	67 3/4" x 27 9/16" x 26 3/8"
Product weight, lbs.	158
HxWxD, mm	1719.4 x 700 x 670.5
Product weight, kg	72

PERFORMANCE

Energy Star qualified	Yes
Climatic class T	T
Annual energy consumption, kwh/year	420
Cooling Gas	R600a

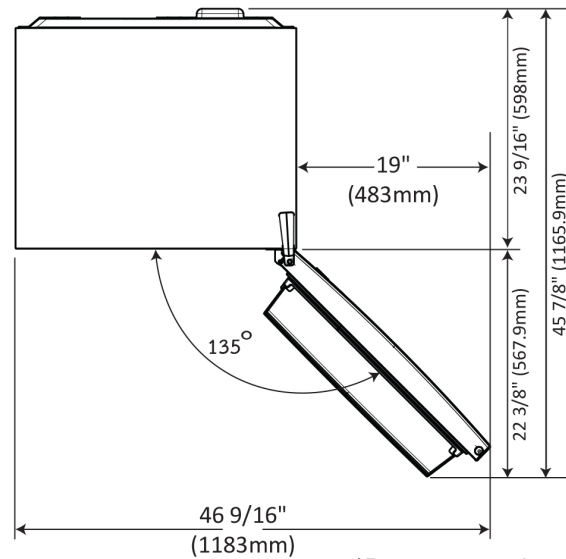
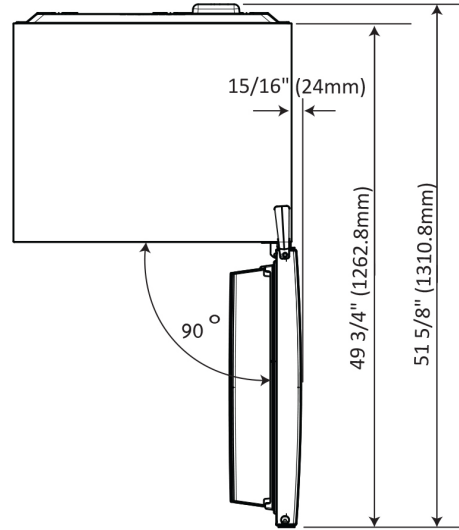
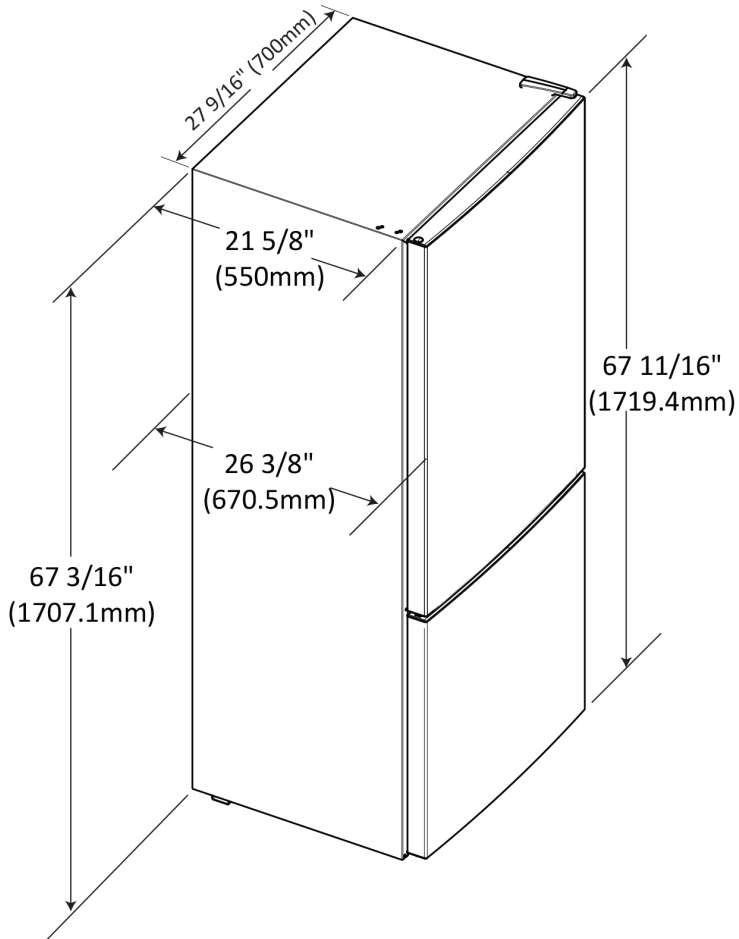




28 INCH COUNTER DEPTH BOTTOM-FREEZER REFRIGERATOR

BRFB1542SS

Dimensions and Installation



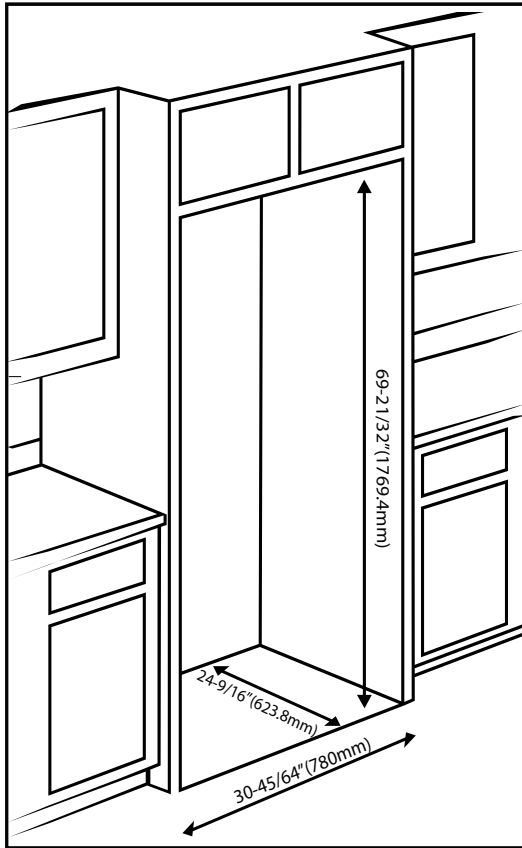
*Drawers can be pulled out with door open 90°

NOTE TO THE INSTALLER: All height, width and depth dimensions are shown in inches (as well as metric). Beko US Inc. reserves the absolute and unrestricted right to change product materials and specifications, at any time, without notice. Please visit our website www.blombergappliances.com or call 888-352-2356 to verify the latest specifications with final dimensional data and other details prior to installation and making a cutout. Applicable product limited warranty information may be found in accompanying product materials or you may contact your account manager for further details. Proper installation is the responsibility of the installer. Product failure due to improper installation is not covered under the Limited Warranty.



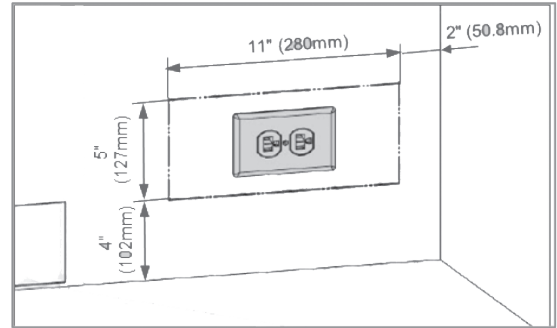
28 INCH COUNTER DEPTH BOTTOM-FREEZER REFRIGERATOR

BRFB1542SS



Required Minimum Clearances:
Top: 2"
Sides: 1 ³⁷/₆₄" on each side
Back: 2"

Electrical



Plumbing

