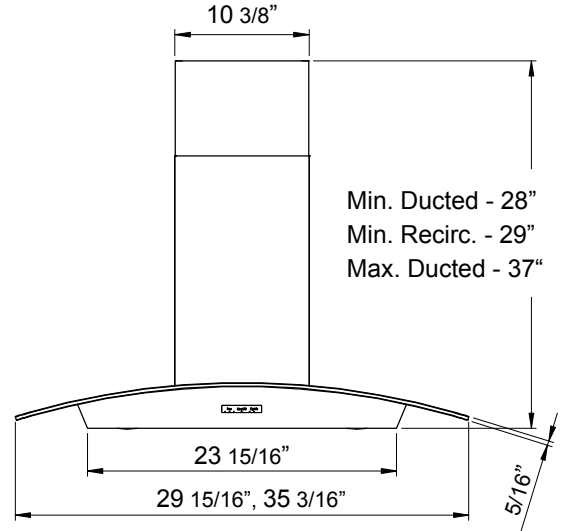
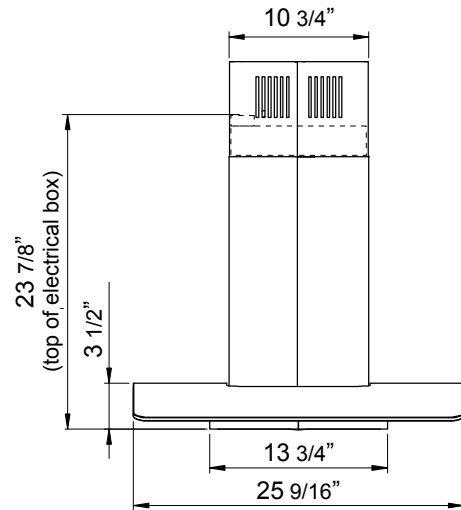


# BRISAS BML ISLAND

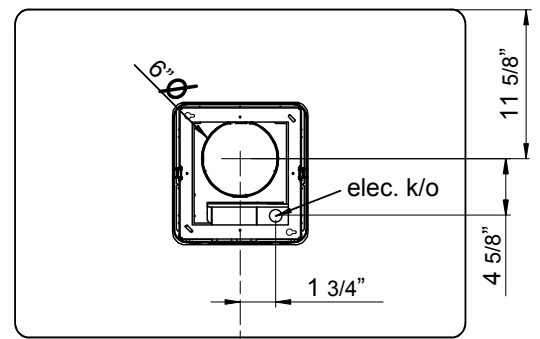
**brisas**  
BY ZEPHYR  
BRISASBYZEPHYR.COM



FRONT



SIDE



TOP

# BRISAS BML ISLAND

**brisas**  
BY ZEPHYR  
BRISASBYZEPHYR.COM

## MODEL

|                                 |           |           |
|---------------------------------|-----------|-----------|
| Stainless Steel w/ Glass canopy | BML-E30BG | BML-E36BG |
| Size                            | 30"       | 36"       |

## BLOWER PERFORMANCE

|             |     |     |
|-------------|-----|-----|
| Blower CFM  | 600 | 600 |
| Sones       | 6   | 6   |
| ACT 390 CFM | Yes | Yes |
| ACT 290 CFM | Yes | Yes |

## FEATURES

|                             |                        |                        |
|-----------------------------|------------------------|------------------------|
| ACT™ Technology             | Yes                    | Yes                    |
| Controls                    | Capacitive Touch       | Capacitive Touch       |
| Speed Levels                | 3                      | 3                      |
| Auto Delay-Off              | Yes                    | Yes                    |
| Lighting                    | BriteStrip™ LED, 5W x2 | BriteStrip™ LED, 5W x2 |
| Dual-Level Lighting         | Yes                    | Yes                    |
| Filters                     | Aluminum Mesh          | Aluminum Mesh          |
| Quick-Lock Installation     | Yes                    | Yes                    |
| Recirculating Option        | Yes                    | Yes                    |
| Extension Duct Cover Option | Yes, Up to 12' Ceiling | Yes, Up to 12' Ceiling |

## DUCT SPECIFICATIONS

|                            |            |            |
|----------------------------|------------|------------|
| Vertical Internal Blower   | 6" Round   | 6" Round   |
| Horizontal Internal Blower | NA         | NA         |
| AC POWER                   | 325W, 2.7A | 325W, 2.7A |
| AC POWER INPUT             | 120V, 60Hz | 120V, 60Hz |

## OPTIONAL ACCESSORIES

|                      |          |          |
|----------------------|----------|----------|
| Recirculating Kit    | BRC-0007 | BRC-0007 |
| Extension Duct Cover | B1C-00ML | B1C-00ML |

|                        |           |           |
|------------------------|-----------|-----------|
| MOUNTING HEIGHT RANGE* | 24" - 34" | 24" - 34" |
|------------------------|-----------|-----------|

|          |                             |                             |
|----------|-----------------------------|-----------------------------|
| WARRANTY | 1 years parts, 1 year labor | 1 years parts, 1 year labor |
|----------|-----------------------------|-----------------------------|

\*Mounting height refers to distance between top of a 36" tall cooking surface and bottom of hood.

AIRFLOW CONTROL TECHNOLOGY  
is an exclusive feature built into the hood which can limit the maximum blower CFM to meet local code requirements.

Specifications subject to change, check [zephyronline.com](http://zephyronline.com) for up to date information.  
Zephyr Ventilation | 2277 Harbor Bay Parkway, Alameda, CA 94502 | 888.880.VENT  
[support@brisasbyzephyr.com](mailto:support@brisasbyzephyr.com)

DEC20.0101

