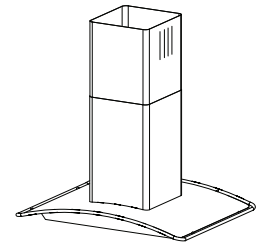


B5936SS RANGE HOOD



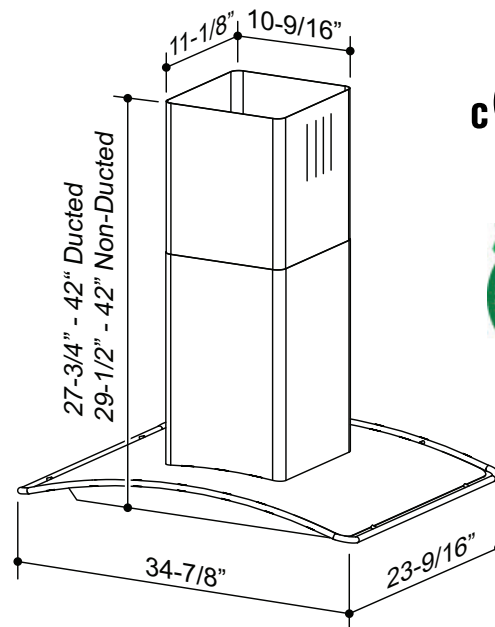
Gently curving metal canopy creates a dramatic, contemporary appearance and an open, airy feel.

FEATURES

- Ceiling mount
- Finish: 430 Stainless Steel no. 4 Brushed
- Width: 34-7/8"
- Telescopic flue accommodates 8' to 9' ceilings
- 6" round duct connector/backdraft damper
- 120 VCA, 60 Hz, 3.3 Amps
- Max. blower CFM*: 450
- Convertible to non-ducted operation - requires Model RK59 (sold separately)
- Halogen lighting (4 x 20 watt, 12V, Type JC 12V 20W G4 Base) (bulbs included)
- 5 push-button control: blower on-off, blower low speed, blower medium speed, blower high speed, light on-off
- Single centrifugal blower
- Dishwasher-safe grease filters feature a quick-release latch

OPTIONS

- Replacement grease filters available
- Flue extension for 10' ceiling (Model FXN59SS) (35-5/8" long) (ducted or non-ducted)
- Non-duct kit (Model RK59) (Non-duct option available only in the U.S.)
- Replacement non-ducted recirculating filter available (Model FILTER 59)



HVI-2100 CERTIFIED RATINGS comply with new testing technologies and procedures prescribed by the Home Ventilating Institute, for off-the-shelf products, as they are available to consumers. Product performance is rated at 0.1 in. static pressure, based on tests conducted in a state-of-the-art test laboratory. Sones are a measure of humanly-perceived loudness, based on laboratory measurements.

* Max. blower CFM indicates the performance of the hood blower in open air.

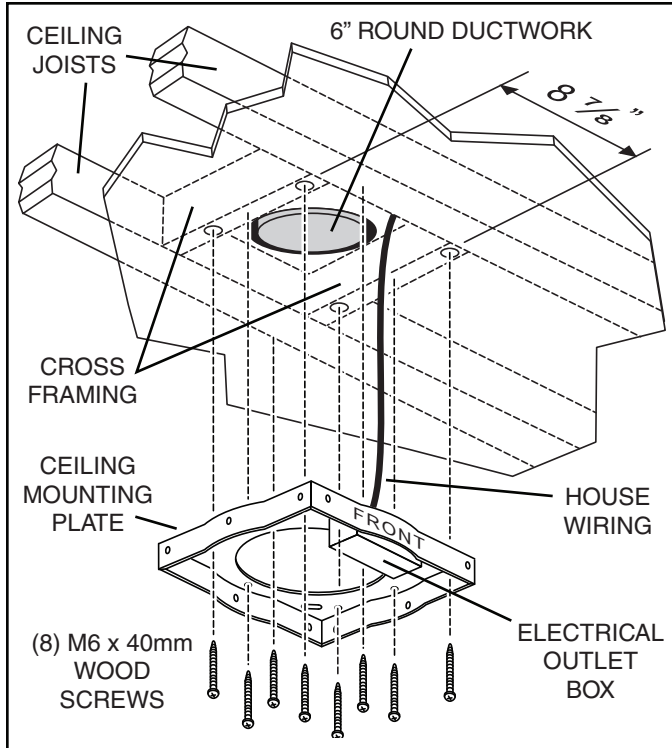
HVI PERFORMANCE

Duct Orientation	Size	Damper	Sones		CFM		
			Normal	High	Normal	High 0.25 in. w.g.	High 0.1 in. w.g.
Vertical - Round	6 in.	Included	2.5	8.5	190	439	450

Broan-NuTone LLC Hartford, Wisconsin www.broan-nutone.com 800-558-1711

REFERENCE	QTY.	REMARKS	Project
			Location
			Architect
			Engineer
			Contractor
			Submitted by
			Date

CEILING SUPPORT INSTALLATION



1. At hood location install 2 x 4 cross framing between ceiling joists using dimensions shown. Make sure framing does not interfere with electrical outlet box opening in ceiling mounting plate.
2. Install house wiring and ductwork.
3. Finish ceiling surface. Be sure to mark the location of the ceiling joists & cross framing. Bring house wiring through finished ceiling.
4. Remove cover from electrical outlet box on ceiling mounting plate. Pull house wiring through hole on top of mounting plate and into electrical outlet box. Secure house wiring cable to mounting plate / electrical box with appropriate connector.
5. Install ceiling mounting plate with the side marked "front" at the desired hood location. Secure using (8) M6 x 40mm wood screws. Make sure screws are driven into the center of the framing for maximum strength.

NOTE:

Minimum hood distance above cooktop must not be less than 30".

A maximum of 36" above the cooktop is highly recommended for best capture of cooking impurities.

Distances over 36" above the cooktop are at the installer's and user's discretion - providing that ceiling height and flue length permit.

On 8-ft. ceilings

Hood distance above cooktop is:

Minimum 30", Maximum 32-1/4" (for ducted discharge)

Minimum 30", Maximum 30-1/2" (for non-ducted discharge)

On 9-ft. ceilings

Hood distance above cooktop is:

Minimum 30", Maximum 36" (for both ducted and non-ducted discharge)

On 10-ft. ceilings

Hood distance above cooktop is:

Minimum 30", Maximum 36" (for both ducted and non-ducted discharge).

10-ft. ceilings require 10-ft. Flue Extension, Model FXN59SS for ducted or non-ducted installations (purchase separately).

