

36" Standard-Depth 3-Door Refrigerator



500 Series – Black Stainless Steel B36FD52SNB



B36FD52SNB

Black Stainless Steel

Also available in:

Stainless Steel
B36FD52SNS

36" 500 Series French Door Bottom Freezer Refrigerator, Standard Depth, External Ice/Water Dispenser, Stainless Steel, Bar Handles

Features & Benefits

Never run out of ice – the QuickIce Pro® System produces 12 lbs. of ice per day.¹

Say goodbye to smudges and fingerprints with new anti-fingerprint stainless steel

Convenient external control panel displays fridge and freezer temperature settings

With Home Connect®, remotely control and monitor your appliance to efficiently manage your day.

UltraClarityPro® water filter reduces >99.9% of sediment that may be found in your water and ice, including harsh elements like chlorine and chloramine.

Dimensions and Weight

| | |
|--|-----------------|
| Overall width (inches) | 35 5/8" |
| Overall height (inches) | 70** |
| Overall depth with doors and handles (inches) | 32 1/8" |
| Overall depth without doors and handles (inches) | 28 3/8" |
| Required cutout size (HxWxD) (inches) | 70" x 36" x 25" |
| Net Weight /Gross Weight (approx.) (lbs.) | 327 / 355 |

Style

| | |
|------------------|-------------------------------------|
| Color | Stainless Steel |
| Door handle type | Bar handle |
| Interior finish | White and stainless steel back wall |
| Standard depth | Yes |

Performance

| | |
|---------------------------|---------------------|
| VitaFresh® Plus | Yes |
| SuperFreeze® | Yes |
| Evaporators / Compressors | 1 / 1 |
| QuickIce Pro® | Yes |
| Automatic defrosting | Yes |
| External water dispenser | Yes (ice and water) |
| One touch bottle fill | Yes |

Capacity and Storage

| | |
|---------------------------------------|-----------------------|
| Total capacity (cu. ft.) | 26 |
| Refrigerator capacity (cu. ft.) | 18 |
| Freezer capacity (cu. ft.) | 8 |
| Full-extension freezer storage drawer | 1 |
| 2-tiered freezer drawer | Yes |
| Full width chiller drawer | 1 |
| Humidity control drawers | 2 |
| Storage shelves | 4 Adjustable, 1 Fixed |
| Small door bins | 5 |
| Large gallon door bins | 2 |

General Features

| | |
|--|------------------|
| Anti-fingerprint stainless steel | Yes |
| External control panel | Yes |
| Water filter replacement indicator | Yes |
| Water filter | UltraClarityPro® |
| Ice maker | Yes |
| Ice production (24 hrs.), ice cubes (lbs.) | 12 |
| Ice storage capacity (lbs.) | 2.8 |
| LED interior and drawer lighting | Yes |
| Independent cooling systems | 1 |
| Cooling system | MultiAirFlow™ |
| AirFresh® filter | Yes |
| Maximum sound level | 40 dBA |
| Wi-Fi-enabled for control with Home Connect® app | Yes |

Energy Efficiency

| | |
|-----------------------------|-----|
| Energy consumption (kWh/yr) | 702 |
| ENERGY STAR® Certified | Yes |

Technical Specs

| | |
|-------------------------|---------------------------|
| Required power supply | 110-127 V, 60 Hz, 15 amps |
| Plug type | 120V-3 Prong |
| Power cord length (in.) | 91" |

Operating Temperature

| | |
|-----------------|----------------------------------|
| Refrigerator: | 33°F (1°C) to 43°F (6°C) |
| Freezer Drawer: | -7°F (-22°C) to 6°F (-14°C) |
| SuperCool: | 30°F (-1°C) for approx. 8 Hrs. |
| SuperFreeze®: | -15°F (-26°C) for approx. 8 Hrs. |

Warranty

| | |
|---------------------------------|--------|
| Limited warranty, parts & labor | 1 Year |
|---------------------------------|--------|

Optional Accessories

| |
|---|
| Replacement UltraClarityPro® water filter: BORPLFTR55 |
| FreshProtect™ Ethylene Filter Kit: FPETHKT50 |
| Water filter bypass (part no.): 10013297 |
| 90 degree door stopper: 10012733 |



¹Based on filling 8 oz glasses.

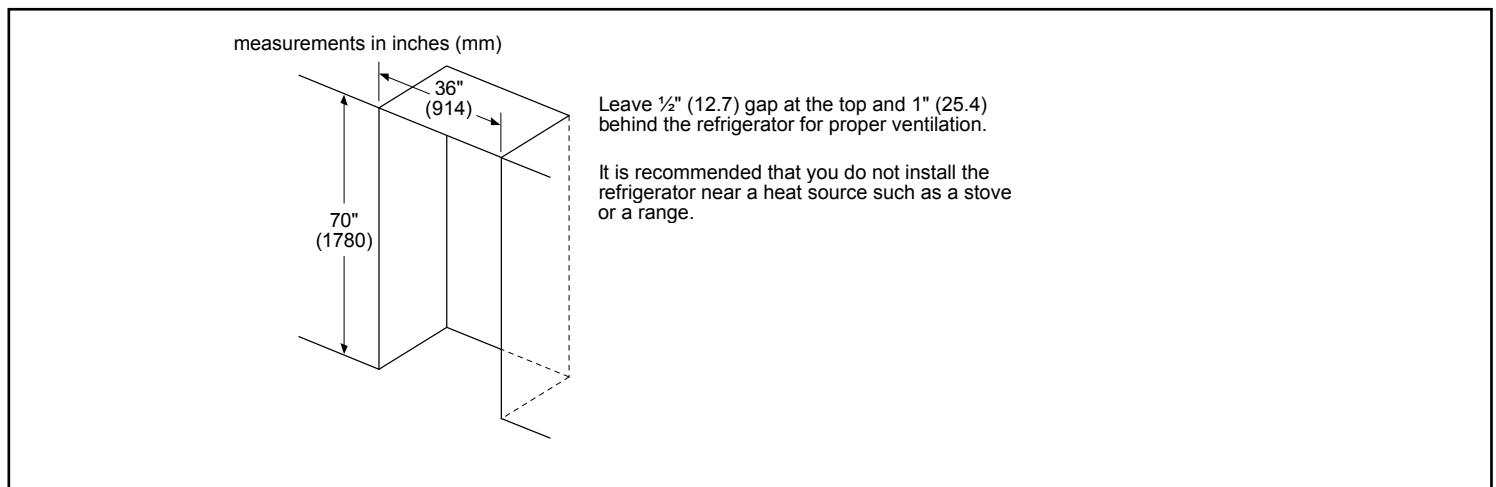
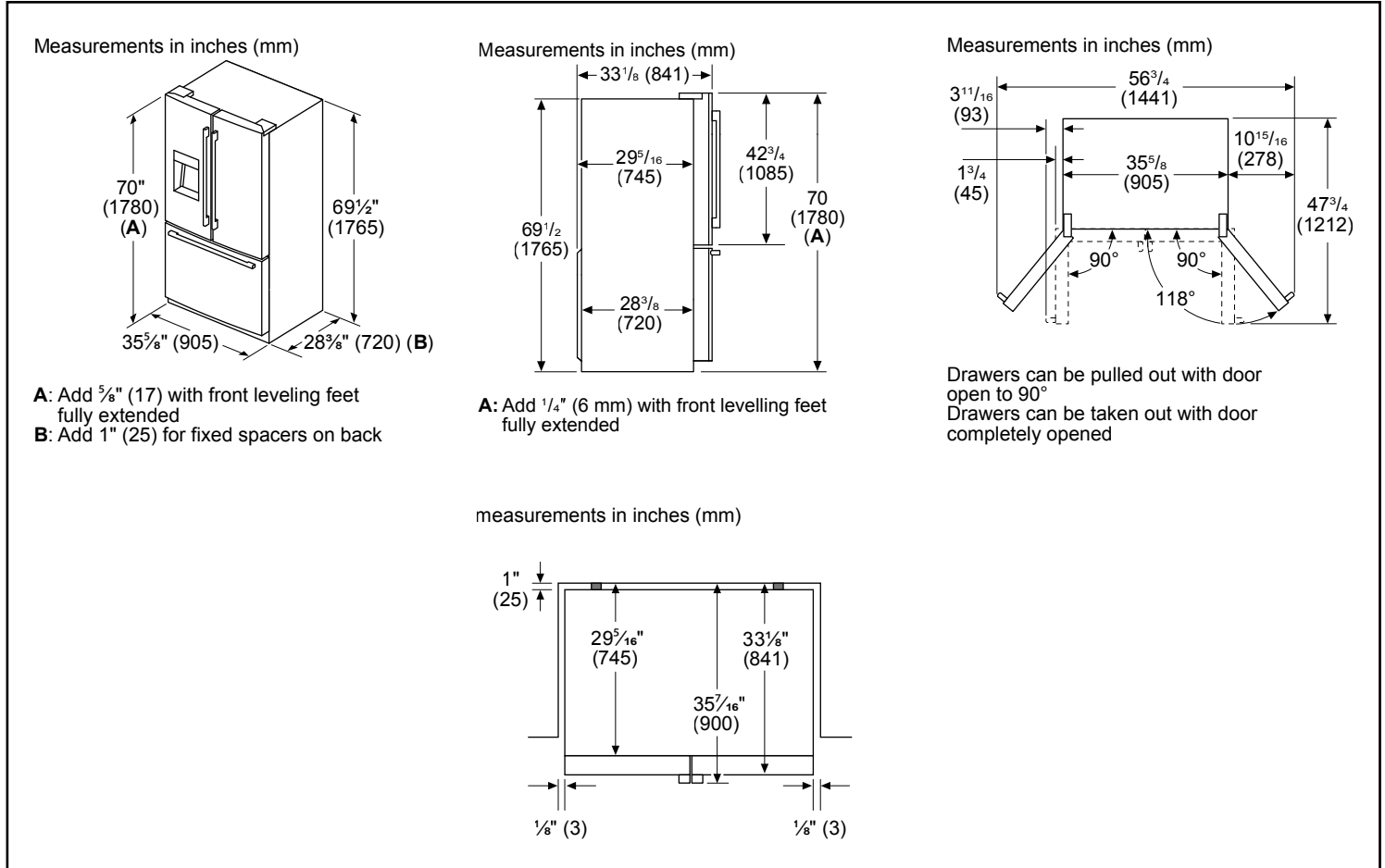
**When leveling legs are fully extended, add 5/8" to overall height, total 70 5/8".

36" Standard-Depth 3-Door Refrigerator



500 Series – Black Stainless Steel B36FD52SNB

Installation Details



Accessories: To purchase Bosch accessories, cleaners & parts please visit www.bosch-home.com/us/store or call 1-800-944-2904 (Mon to Fri 5 am to 6 pm PST, Sat 6 am to 3 pm PST).

Notes: All height, width and depth dimensions are shown in inches. BSH reserves the absolute and unrestricted right to change product materials and specifications, at any time, without notice. Consult the product's installation instructions for final dimensional data and other details prior to making cutout.

Warranties: Please see Use & Care manual or Bosch website for statement of limited warranty.

For more information on our entire line of products, go to www.bosch-home.com/us or call 1-800-944-2904

© BSH Home Appliances Corporation. All rights reserved. Bosch is a registered trademark of Robert Bosch GmbH.