

**HOUSEHOLD REFRIGERATOR-FREEZERS
and ALL-REFRIGERATORS**

**CONGELATEURS / REFRIGERATEURS
MENAGERS et TOUT- REFRIGERATEURS**

Models / Modèles

**BRF65S2
BAR63S2
BAR61W2
AR5BS**

**ADA65S2
ADA63S2
ADA61W2
AR5BIF**



Instruction Manual / *Mode d'emploi*

BEFORE USE, PLEASE READ AND FOLLOW ALL SAFETY RULES AND OPERATING INSTRUCTIONS

***AVANT UTILISATION, VEUILLEZ LIRE ET SUIVRE TOUTES LES RÈGLES DE SÉCURITÉ ET LES
INSTRUCTIONS D'UTILISATION***

Write the Model and Serial Numbers here:
Écrivez les numéros de modèle et de série ici:

Mod. #: _____

Ser. #: _____

IMPORTANT SAFEGUARDS

Your safety and the safety of others are very important.



Before the appliance is used, it must be properly positioned and installed as described in this manual, so read the manual carefully. To reduce the risk of fire, electrical shock or injury when using the appliance, follow basic precautions, including the following:

DANGER

Plug into a grounded 3-prong outlet. Do not remove grounding prong, do not use an adapter, and do not use an extension cord.

It is recommended that a separate circuit, serving only your appliance, be provided. Use receptacles that cannot be turned off by a switch or pull chain.

Never clean appliance parts with flammable fluids. These fumes can create a fire hazard or explosion. And do not store or use gasoline or other flammable vapors and liquids in the vicinity of this or any other appliance. The fumes can create a fire hazard or explosion.

Before proceeding with cleaning and maintenance operations, make sure the power line of the unit is disconnected.

Do not connect or disconnect the electric plug when your hands are wet.

Unplug the appliance or disconnect the power before cleaning or servicing. Failure to do so can result in electrical shock or death.

Do not attempt to repair or replace any part of your appliance unless it is specifically recommended in this material. All other servicing should be referred to a qualified technician.

WARNING

Use two or more people to move and install the appliance. Failure to do so can result in back or other injury.

To ensure proper ventilation for your appliance, the front of the unit must be completely unobstructed. Choose a well-ventilated area with temperatures above 60°F (16°C) and below 90°F (32°C). This unit must be installed in an area protected from the elements, such as wind, rain, water spray or drips.

The appliance should not be located next to ovens, grills or other sources of high heat.

The appliance must be installed with all electrical connections in accordance with state and local codes. A standard electrical supply (115V AC only, 60 Hz), properly grounded in accordance with the National Electrical Code and local codes and ordinances, is required.

Do not kink or pinch the power supply cord of the appliance.

The fuse (or circuit breaker) size should be 15 amperes.

It is important for the appliance to be leveled in order to work properly. You may need to make several adjustments to level it.

Never allow children to operate, play with or crawl inside the appliance.

Do not use solvent-based cleaning agents or abrasives on the interior. These cleaners may damage or discolor the interior.

Do not use this apparatus for other than its intended purpose.



Risk of child entrapment!

Child entrapment and suffocation are not problems of the past. Junked or abandoned refrigerators and freezers are still dangerous, even if they will “just sit in the garage a few days.”

Before you throw away your old refrigerator or freezer: Take off the doors. Leave the shelves or drawers in place so that children may not easily climb inside.

Never allow children to operate, play with, or crawl inside the appliance.

THIS APPLIANCE IS NOT INTENDED FOR USE BY YOUNG CHILDREN OR INFIRM PERSONS UNLESS THEY HAVE BEEN ADEQUATELY SUPERVISED BY A RESPONSIBLE PERSON TO ENSURE THAT THEY CAN USE THE APPLIANCE SAFELY. YOUNG CHILDREN SHOULD BE SUPERVISED TO ENSURE THAT THEY DO NOT PLAY WITH THE APPLIANCE.

- SAVE THESE INSTRUCTIONS -

Table of Contents

Important Safeguards 1 - 2

Location of Parts 3

Technical Information 4

Installation Instructions 4 - 7

Before Using Your Appliance 4

Installing Your Appliance 4 - 5

Electrical Connection 5 - 6

Extension Cord..... 6

Reversing the Door Swing 6

Changing Direction of Door Opening on Low Temperature Compartment 7

Operating Your Refrigerator-Freezer or All-Refrigerator..... 7 - 9

Refrigerator-Freezers (Models BRF65S and ADA65S)..... 7 - 8

All-Refrigerators (Models BAR63S, ADA63S, BAR61W, and ADA61W)..... 8 - 9

Care and Maintenance 10

Cleaning Your Appliance / Power Failure / Vacations /

Moving your Appliance / Energy-Saving Tips

Troubleshooting..... 11

Limited Warranty 15

French version of this manual 13 - 27

Location of Parts

Models BRF65S2 and ADA65S2 (Refrigerator-Freezers)



Models BAR63S2, ADA63S2, BAR61W2, ADA61W2, AR5BS, and AR5BIF (All-Refrigerators)



NOTE: "ADA" models have a 32" height to fit under lower ADA-compliant counters.

Technical Information

Model Numbers	BRF65S2 ADA65S2	BAR63S2 ADA63S2 AR5SB AR5BIF	BAR61W2 ADA61W2
Type	Refrig-freezer	All-refrigerator	All-refrigerator
Exterior	Black w SS door	Black w SS door <i>(panel-ready on -IF)</i>	White
Capacity	5.1 cu. ft.	5.5 cu. ft.	5.5 cu. ft.
Electrical Input	115V AC/60Hz	115V AC/60Hz	115V AC/60Hz
Rated Current	1.4A	1.4A	1.4A
Temperature of Freezer	5°F	-----	-----
Refrigerant	R600a, .92oz.	R600a, .64oz.	R600a, .64oz.
Installation	Built-in or Free-standing	Built-in or Free-standing	Built-in or Free-standing
Ship Weight	102 lbs.	102 lbs.	102 lbs.
Unit Dimensions (W x D x H)	23.63" x 23.5" x 33.25" *	23.63" x 23.5" x 33.25" *	23.63" x 23.5" x 33.25" *

*NOTES: * "ADA" models have a 32" height to fit under lower ADA-compliant counters. Specifications are subject to change without notice.*

Installation Instructions

Before Using Your Appliance:

Remove the exterior and interior packing.

Before connecting the unit to a power source, let it stand for approximately 2 hours. This will reduce the possibility of a malfunction in the cooling system from handling during transportation.

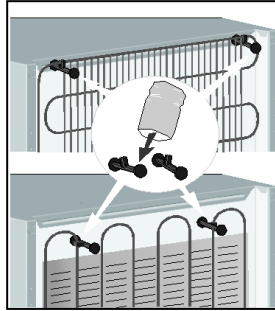
Remove the crisper, drip tray and shelves and clean them and the interior surfaces of the unit with lukewarm water using a soft cloth.

Installing Your Appliance:

Place the unit on a floor that is strong enough to support the appliance when it is fully loaded. To level the unit, adjust the two leveling legs at the front.

These models are designed to be built-in, but can also be used free-standing. For built-in installation, keep ¼" (6.35mm) of space on each side and at the top and 2" (51mm) at the rear. Take care that the air vent at the front of the appliance is never covered or blocked in any way.

This appliance is supplied with spacers that have to be mounted onto the condenser tube to make sure there is sufficient clearance between the appliance and the wall.



Locate the unit away from direct sunlight and sources of heat (oven, heater, radiator, etc.). Direct sunlight may affect the acrylic coating and heat sources may increase electrical consumption. Extremely cold ambient temperatures may also affect the unit's performance.

Avoid locating the unit in moist areas. Too much moisture in the air will cause frost to form quickly on the evaporator, requiring more frequent defrosting of the freezer compartment (for refrigerator-freezer models).

Plug the unit into an exclusive, properly installed and grounded wall outlet. Any questions concerning power and/or grounding should be directed toward a certified electrician or authorized service center.

Electrical Connection:

⚠ WARNING

Improper use of the grounded plug can result in the risk of electrical shock. If the power cord is damaged, have it replaced by the manufacturer, its service agent or similarly qualified persons in order to avoid a hazard.

This unit should be properly grounded for your safety. The power cord of this unit is equipped with a three-prong plug which mates with a standard three-prong wall outlet to minimize the possibility of electrical shock.

Do not under any circumstances cut or remove the third ground prong from the power cord supplied. For personal safety, this appliance must be properly grounded.

This unit requires a standard 115-volt AC/60Hz electrical outlet with three-prong ground. Have the wall outlet and circuit checked by a qualified electrician to make sure the outlet is properly grounded. When a standard 2-prong wall outlet is encountered, it is your responsibility and obligation to have it replaced with a properly grounded 3-prong wall outlet.

To prevent accidental injury, the cord should be secured behind the unit and not left exposed or dangling.

The unit should always be plugged into its own individual electrical outlet which has a voltage rating that matches the rating label on the appliance. This provides the best performance and also prevents overloading house wiring circuits that could cause a fire

hazard from overheated wires. Never unplug the unit by pulling on the power cord. Always grip the plug firmly and pull straight out from the receptacle. Repair or replace immediately any power cord that has become frayed or otherwise damaged. Do not use a cord that shows cracks or abrasion damage along its length or at either end. When moving the unit, be careful not to damage the power cord.

Extension Cord:

Do not use an extension cord with this appliance. If the power cord is too short, have a qualified electrician or service technician install an outlet near the appliance.

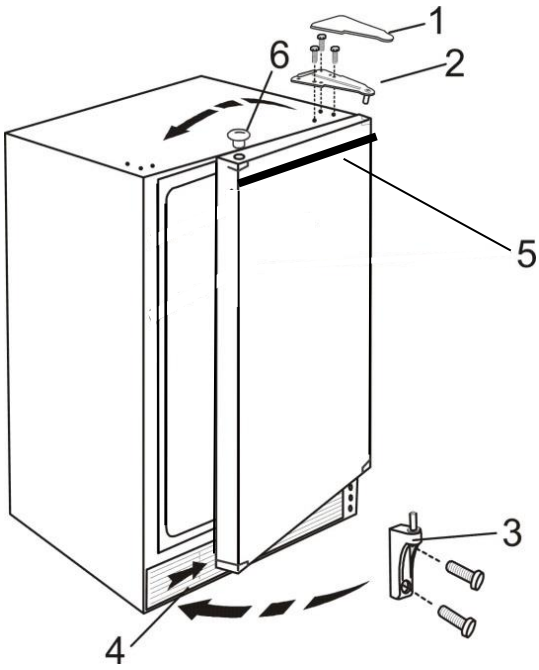
Reversing the Door Swing:

If you find the direction of opening the door of the appliance inconvenient, you can change it. Holes on the opposite side have already been prepared at the factory.

This appliance can be opened from either the right side or the left. By default, the door hinge is on the right side. If you prefer it on the left, please follow these instructions:

1. Take off the upper hinge cover from the door and remove the screws that hold the top hinge.
2. Lift the hinge straight up to free the hinge pin from the socket in the top of the door.
3. Lift the door up and away to free its bottom socket from the hinge pin.
4. Remove the screws to the bottom hinge.
5. Remove the decorative caps from the opposite side and plug the holes from the original side with the decorative caps.
6. Move the bottom hinge to the opposite side and tighten the screws. Use any lock washers or nuts if they were installed in the original installation.
7. Replace door onto the hinge pin on the bottom hinge. Place top hinge pin into door. Insert screws into the top hinge and tighten.
8. Check the gasket. It should not be creased and should seal well.

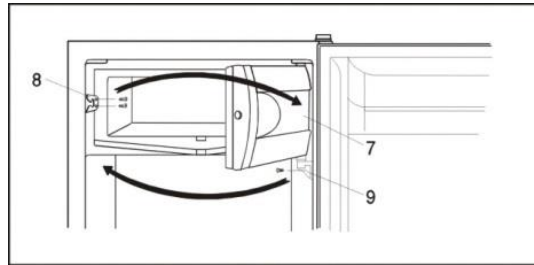
**NOTE: Model AR5IF requires a different hinge in order to reverse the door. Contact our parts team at 718-893-3900 ext. 598 or email parts@summitappliance.com*



- 1 Upper hinge cover
- 2 Upper hinge
- 3 Lower hinge
- 4 Kick plate
- 5 Handle
- 6 Fastener for corner with hole

Changing the Direction of Door Opening on the Low Temperature Compartment (for Refrigerator-Freezer models):

- Unscrew the blocking element and the hinge of the low temperature compartment and take off the door.
- Plug the holes with plastic caps provided.
- Turn the door 180° and replace it on the opposite side of the low temperature compartment. Fix the hinge and the blocking element of the door (position of holes already provided).



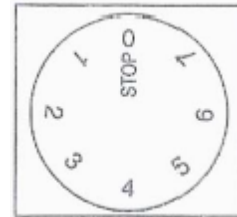
Operating Your Appliance

Refrigerator-Freezers (Models BRF65S, ADA65S)

Temperature Control:

A unique dual evaporator system separately cools the refrigerator while keeping the freezer at 5°F. (Ice cream and other food items in the freezer stay frozen and free of freezer burn.)

The refrigerator temperature is controlled with a thermostat knob located inside the unit, towards the upper right-hand corner. Turn the knob clockwise from the **STOP (0)** position toward the higher numbers for colder temperatures. Higher settings on the knob (higher numbers) mean lower temperatures (colder) in the refrigerator.



On the coldest settings, temperatures in some spots of the refrigerator compartment may drop below 32°F. Use higher thermostat settings only when required or recommended. When the ambient temperature is normal, we recommend a medium setting.

Changes in the ambient temperature affect temperature in the refrigerator compartment so choose an appropriate setting of the thermostat knob, depending on ambient conditions.

In the **STOP (0)** position, the appliance does not operate (the cooling system is switched off), yet the power supply is not interrupted (the light goes on when you open the refrigerator door).

The temperature in the refrigerator compartment also depends on how often you open the door.

In all small refrigerators and freezers without interior fans, temperatures are coldest near the bottom, and occasionally near the rear. Place contents accordingly. It is best

not to operate these units mostly empty. If temperatures are erratic, try putting some water bottles or freezer packs inside to create a load for the compressor.

NOTES:

1. For best storage, be sure not to over-pack and assure the freezer door closes fully.
2. The glass shelves are adjustable. These shelves stop short an inch before the back wall, which is essential for air flow and the proper operation of the automatic defrost system. Do not block these gaps.
3. The interior light on this unit is controlled by a plunger type switch, so that the light comes on automatically when the refrigerator door is opened.
4. If the unit is unplugged, has lost power, or is turned off, you must wait 3 to 5 minutes before restarting the unit. If you attempt to restart before this time delay, the unit will not start.

Defrosting Your Appliance:

This appliance combines a manual defrost freezer section and an automatic defrost refrigerator section. The refrigerator compartment defrosts itself, but when frost builds to ½ inch in the freezer compartment, defrost carefully according to this procedure:

1. Remove contents from the entire unit, taking care that frozen items do not begin to thaw. Set the thermostat to **STOP (0)**.
2. Unplug the appliance. Defrosting is accelerated if the doors are left open.
3. Melting ice will drain into the drip tray below the freezer compartment. Empty this as needed.
4. Use a sponge or toweling to remove water and melting ice from the freezer floor. After the frost or ice has melted, dry the interior of the freezer compartment thoroughly.
5. Restart the appliance by plugging it in and turning the thermostat to the desired position. Once it is cold, return contents to the freezer and refrigerator sections.

CAUTION: Do not use boiling water or an electric device such as a hair dryer to help speed up the defrosting process because this could damage the plastic parts of the unit. In addition, *never use a sharp or metallic instrument to remove frost* as it may damage the cooling coils and will void the warranty. We recommend using a plastic scraper.

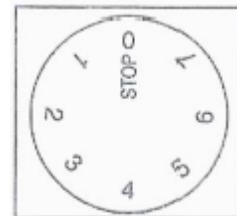
All-Refrigerators (Models BAR63S, ADA63S, BAR61W, ADA61W)

Temperature Control:

Your appliance's evaporator system is out of sight behind the interior rear wall.

The interior temperature is controlled with a thermostat knob located inside the unit, towards the upper right-hand corner. Turn the knob clockwise from the **STOP (0)** position toward the higher numbers for colder temperatures. Higher settings on the knob (higher numbers) mean lower temperatures (colder) in the refrigerator.

On the coldest settings, temperatures in some spots inside the cabinet may drop below 32°F. Use higher thermostat settings only when required or recommended. When the ambient temperature is normal, we recommend a medium setting.



Changes in the ambient temperature affect the temperature inside the refrigerator so choose an appropriate setting of the thermostat knob, depending on ambient conditions.

In the **STOP (0)** position, the appliance does not operate (the cooling system is switched off), yet the power supply is not interrupted (the light still works).

The temperature inside the refrigerator also depends on how often you open the door.

In all small refrigerators without interior fans, temperatures are coldest near the bottom, and occasionally near the rear. Place contents accordingly. It is best not to operate these units mostly empty. If temperatures are erratic, try putting some water bottles inside to create a load for the compressor.

NOTES:

1. The glass shelves are adjustable. These shelves stop short an inch before the back wall, which is essential for air flow and the proper operation of the automatic defrost system. Do not block these gaps.
2. Interior lighting is controlled by a switch that is activated by the opening and closing of the refrigerator door.
3. If the refrigerator is unplugged, has lost power or is turned off, you must wait 3 to 5 minutes before restarting it. If you attempt to restart before this time delay, the unit will not start.

Defrosting Your Appliance:

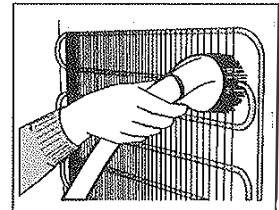
Your all-refrigerator operates with an automatic defrost system, so the refrigerator defrosts itself. While the compressor is operating, ice will build up along the cold rear wall (the evaporator plate is behind the wall). During the compressor's off-cycle, ice will melt, drip down, collect in the trough at the bottom and drain through a small hole into a tray above the compressor; where the compressor's heat will evaporate the water. If you notice excessive ice build-up on the rear wall, try adjusting the thermostat to a slightly warmer setting. Be sure that the door gasket is sealing well and that there is no obstruction of the drain hole at the bottom rear of the interior cabinet.

Care and Maintenance

Cleaning Your Appliance:

1. Unplug the appliance, turn the thermostat to **STOP (0)** and remove all contents, including shelves, drip tray and crisper.
2. Wash the inside surfaces with a solution of lukewarm water and vinegar. Wipe dry with a clean, soft cloth.
3. Wash the shelves, drip tray and crisper with a mild detergent solution, then rinse and dry thoroughly.
4. Wash the outside cabinet with warm water and mild liquid detergent. Rinse well and wipe dry with a clean soft cloth.
5. Wring excess water out of the sponge or cloth before cleaning the area of the temperature control or any electrical parts.
6. From time to time, wipe the condenser on the rear wall with a soft non-metallic brush or vacuum cleaner.
7. After you have cleaned the appliance, reconnect it to the power supply, reset the thermostat and return all contents to their place.

CAUTION: Failure to unplug the unit could result in electrical shock or personal injury.



Power Failure:

Most power failures are corrected within a few hours and should not affect the temperature of your appliance if you minimize the number of times the door is opened. If the power is going to be off for a longer period of time, you need to take the proper steps to protect your frozen and chilled items.

Vacations:

During long absences, remove all contents. Unplug the appliance, clean it and leave the doors open slightly to avoid possible formation of condensation, mold or odors.

Moving Your Appliance:

1. Remove the contents.
2. Securely tape down all loose items inside your unit.
3. Turn the leveling legs up to the base to avoid damage.
4. Tape the door shut.
5. Be sure the appliance stays secure in the upright position during transportation.

Energy-Saving Tips:

The unit should be located in the coolest area of the room, away from heat-producing appliances or heating ducts and out of direct sunlight.

Try not to open the door too often, especially when the weather is damp and hot.

Once you open the door, close it as soon as possible.

Occasionally check if the appliance is sufficiently ventilated (adequate air circulation behind the appliance).

Set the thermostat from higher to lower settings as soon as possible (depends on how loaded the appliance is, ambient temperature, etc.).

Before loading items into the unit, be sure they have cooled to ambient temperature.

A layer of frost and ice increases energy consumption, so defrost the freezer as soon as the layer is 1/2" thick.

Troubleshooting

When using this appliance, you may come across some problems that in many cases result from improper handling and can easily be eliminated.

TROUBLESHOOTING GUIDE

The appliance fails to operate after being connected to the power source.

- Check whether the power supply is active and that the thermostat is not set to the **STOP (0)** position.

The compressor is running continuously.

- The door was opened frequently or it was left open too long.
- The door is not properly closed (the door may sag, the gasket may be dirty or damaged).
- The power supply has been interrupted for a long period of time.
- The appliance may have been overloaded with items above room temperature.
- There may be inadequate ventilation of the compressor and condenser. (Assure there is adequate air circulation behind the appliance and wipe the dust from the condenser.)

Noise

Cooling in refrigeration appliances is enabled by the refrigerating system with compressor, which produces noise. How noisy the appliance is depends on where it is placed, how it is used and how old the appliance is.

- During the operation of the compressor, the noise of liquid is heard and when the compressor is not operating, the refrigerant flow is heard. This is a normal condition and has no influence whatsoever on the lifetime of the appliance.
- After starting the appliance, the operation of the compressor and the refrigerant flow may be louder. This does not mean that something is wrong. Gradually the noise is reduced.
- Sometimes a louder noise is heard, which is unusual for the appliance. This noise is often a consequence of improper placement of the unit. (The unit should be placed and leveled firmly on a solid base and it should not touch the wall or cabinets standing next to it.)

Limited Warranty

ONE-YEAR LIMITED WARRANTY

Within the 48 contiguous United States, for one year from the date of purchase, when this appliance is operated and maintained according to instructions attached to or furnished with the product, warrantor will pay for factory-specified parts and repair labor to correct defects in materials or workmanship. Service must be provided by a designated service company. Outside the 48 states, all parts are warranted for one year from manufacturing defects. Plastic parts, shelves and cabinets are warranted to be manufactured to commercially acceptable standards, and are not covered from damage during handling or breakage.

5-YEAR COMPRESSOR WARRANTY

1. The compressor is covered for 5 years.
2. Replacement does not include labor.

ITEMS WARRANTOR WILL NOT PAY FOR:

1. Service calls to correct the installation of your appliance, to instruct you how to use your appliance, to replace or repair fuses or to correct wiring or plumbing.
2. Service calls to repair or replace appliance light bulbs or broken shelves. Consumable parts (such as filters) are excluded from warranty coverage.
3. Damage resulting from accident, alteration, misuse, abuse, fire, flood, acts of God, improper installation, installation not in accordance with electrical or plumbing codes, or use of products not approved by warrantor.
4. Replacement parts or repair labor costs for units operated outside the United States.
5. Repairs to parts or systems resulting from unauthorized modifications made to the appliance.
6. The removal and reinstallation of your appliance if it is installed in an inaccessible location or is not installed in accordance with published installation instructions.

DISCLAIMER OF IMPLIED WARRANTIES – LIMITATION OF REMEDIES

CUSTOMER'S SOLE AND EXCLUSIVE REMEDY UNDER THIS LIMITED WARRANTY SHALL BE PRODUCT REPAIR AS PROVIDED HEREIN. IMPLIED WARRANTIES, INCLUDING WARRANTIES OF MERCHANTABILITY OR FITNESS FOR A PARTICULAR PURPOSE, ARE LIMITED TO ONE YEAR. WARRANTOR SHALL NOT BE LIABLE FOR INCIDENTAL OR CONSEQUENTIAL DAMAGES. SOME STATES DO NOT ALLOW THE EXCLUSION OR LIMITATION OF INCIDENTAL OR CONSEQUENTIAL DAMAGES, OR LIMITATIONS ON THE DURATION OF IMPLIED WARRANTIES OF MERCHANTABILITY OR FITNESS, SO THESE EXCLUSIONS OR LIMITATIONS MAY NOT APPLY TO YOU. THIS WARRANTY GIVES YOU SPECIFIC LEGAL RIGHTS AND YOU MAY ALSO HAVE OTHER RIGHTS, WHICH VARY FROM STATE TO STATE.



WARNING: This product can expose you to chemicals including Nickel (Metallic) which is known to the State of California to cause cancer, birth defects or other reproductive harm.

For more information go to www.P65Warnings.ca.gov

Note: Nickel is a component in all stainless steel and some other metallic compositions.

FELIX STORCH, INC.
770 Garrison Avenue
Bronx, NY 10474
Phone: (718) 893-3900
Fax: (844) 478-8799
www.summitappliance.com

For parts and accessory ordering,
troubleshooting and helpful hints, visit:
www.summitappliance.com/support

GARANTIES IMPORTANTES

Votre sécurité et celle des autres sont très importantes.



Avant d'utiliser l'appareil, il doit être correctement positionné et installé comme décrit dans ce manuel. Lisez-le attentivement. Pour réduire les risques d'incendie, de choc électrique ou de blessure lors de l'utilisation de l'appareil, suivez les précautions de base, y compris les suivantes:

DANGER

Branchez-le sur une prise à 3 broches mise à la terre. Ne retirez pas la broche de mise à la terre, n'utilisez pas d'adaptateur et n'utilisez pas de rallonge.

Il est recommandé de prévoir un circuit séparé, ne servant que votre appareil. Utilisez des prises qui ne peuvent pas être éteintes par un interrupteur ou une chaîne.

Ne jamais nettoyer les pièces de l'appareil avec des fluides inflammables. Ces émanations peuvent créer un risque d'incendie ou d'explosion. Et n'entrez pas et n'utilisez pas d'essence ou d'autres liquides ou vapeurs inflammables à proximité de cet appareil ou de tout autre appareil. Les vapeurs peuvent créer un risque d'incendie ou d'explosion.

Avant de procéder aux opérations de nettoyage et d'entretien, assurez-vous que la ligne électrique de l'unité est débranchée.

Ne branchez pas et ne débranchez pas la prise électrique lorsque vos mains sont mouillées.

Débranchez l'appareil ou débranchez l'alimentation avant le nettoyage ou l'entretien. Sinon, vous risquez un choc électrique ou la mort.

N'essayez pas de réparer ou de remplacer une partie de votre appareil à moins que cela ne soit spécifiquement recommandé dans ce document. Tout autre entretien doit être confié à un technicien qualifié.

AVERTISSEMENT

Utilisez deux personnes ou plus pour déplacer et installer l'appareil. Ne pas le faire peut entraîner des blessures au dos ou autres.

Pour assurer une ventilation adéquate de votre appareil, l'avant de l'appareil doit être complètement dégagé. Choisissez un endroit bien ventilé avec des températures supérieures à 16 ° C (60 ° F) et inférieures à 32 ° C (90 ° F). Cet appareil doit être installé dans une zone protégée des éléments tels que le vent, la pluie, les éclaboussures d'eau ou les égouttements.

L'appareil ne doit pas être placé à côté de fours, de grils ou d'autres sources de chaleur intense.

L'appareil doit être installé avec toutes les connexions électriques conformément aux codes de l'état et locaux. Une alimentation électrique standard (115 V CA seulement, 60 Hz), correctement mise à la terre conformément au code national de l'électricité et aux codes et ordonnances locaux, est requise.

Ne pliez pas et ne pincez pas le cordon d'alimentation de l'appareil.

La taille du fusible (ou du disjoncteur) doit être de 15 ampères.

Il est important que l'appareil soit mis à niveau pour fonctionner correctement. Vous devrez peut-être faire plusieurs ajustements pour le niveler.

Ne laissez jamais les enfants utiliser, jouer ou ramper à l'intérieur de l'appareil.

N'utilisez pas de produits de nettoyage à base de solvants ni d'abrasifs à l'intérieur. Ces

nettoyants peuvent endommager ou décolorer l'intérieur.
Ne pas utiliser cet appareil à des fins autres que celles prévues.



Risque de piégeage de l'enfant!

Le piégeage et la suffocation des enfants ne sont pas des problèmes du passé. Les réfrigérateurs et les congélateurs jonchés ou abandonnés sont toujours dangereux, même s'ils «resteront dans le garage quelques jours.»

Avant de jeter votre vieux réfrigérateur ou congélateur: Enlevez les portes. Laissez les étagères ou les tiroirs en place afin que les enfants ne puissent pas facilement monter à l'intérieur.

Ne laissez jamais les enfants utiliser, jouer ou ramper à l'intérieur de l'appareil.

CET APPAREIL N'EST PAS DESTINÉ À ÊTRE UTILISÉ PAR LES JEUNES ENFANTS OU LES INFIRMIÈRES, SAUF SI CEUX-CI ONT ÉTÉ ADAPTÉ DE MANIÈRE SUPERVISÉE PAR UNE PERSONNE RESPONSABLE DE S'ASSURER QU'ILS PEUVENT UTILISER L'APPAREIL SÉCURISÉ. LES JEUNES ENFANTS DEVRAIENT ÊTRE SURVEILLÉS POUR ASSURER QU'ILS NE JOUENT PAS AVEC L'APPAREIL.

- CONSERVEZ CES INSTRUCTIONS -

Table des matières

Garanties importantes	13 - 14
Emplacements des pièces	15
Informations techniques	16
Instructions d'installation	16 - 19
<i>Avant d'utiliser votre appareil</i>	16
<i>Installation de votre appareil</i>	16 - 17
<i>Connexion électrique</i>	17 - 18
<i>Rallonge</i>	18
<i>Inverser la porte battante</i>	18 - 19
<i>Modification du sens de l'ouverture de la porte du compartiment basse température</i> 19	
Utilisation de votre appareil	20 -22
<i>Réfrigérateur-congélateurs (Modèles BRF65S et ADA65S)</i>	20 - 21
<i>Tout-réfrigérateurs (Modèles BAR63S, ADA63S, BAR61W, et ADA61W)</i>	21 - 22
Soin et entretien	22 - 23
<i>Nettoyage de votre appareil / Panne électrique/ Vacances /</i> <i>Déplacer votre appareil / Conseils d'économie d'énergie</i>	
Dépannage	24
Garantie limitée	27

Emplacement des pièces

Modèles BRF65S2 et ADA65S2 (Réfrigérateur-Congélateurs)



Modèles BAR63S2, ADA63S2, BAR61W2, et ADA61W2 (tout-réfrigérateurs)



NOTE: Les modèles «ADA» ont une hauteur de 32 po pour s'adapter aux bas compteurs conformes à ADA.

Informations techniques

Numéros des modèles	BRF65S2 ADA65S2	BAR63S2 ADA63S2 AR5BS AR5BIF	BAR61W2 ADA61W2
Type	Réfrig-congérateur	Tout-réfrigérateur	Tout-réfrigérateur
Extérieur	Noir avec porte en inox	Noir avec porte en inox	Blanc
Capacité	5.1 pieds cubes	5.5 pieds cubes	5.5 pieds cubes
Entrée électrique	115V CA / 60Hz	115V CA / 60Hz	115V CA / 60Hz
Courant nominal	1.4A	1.4A	1.4A
Température de congélateur	5°F	-----	-----
Refrigérant	R600a, .92oz.	R600a, .64oz.	R600a, .64oz.
Installation	Intégré ou autonome	Intégré ou autonome	Intégré ou autonome
Poids d'expédition	102 livres.	102 livres	102 livres
Dimensions de l'unité (La x Pr x Ha)	23.63" x 23.5" x 33.25" *	23.63" x 23.5" x 33.25" *	23.63" x 23.5" x 33.25" *

*NOTES: * "ADA" models have a 32" height to fit under lower ADA-compliant counters. Les spécifications peuvent être modifiées sans préavis..*

Instructions d'installation

Avant d'utiliser votre appareil :

Retirez l'emballage extérieur et intérieur.

Avant de connecter l'appareil à une source d'alimentation, laissez-le reposer environ 2 heures. Cela réduira les risques de dysfonctionnement du système de refroidissement lors du transport.

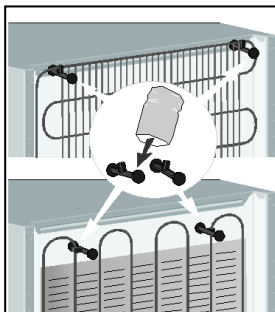
Retirez le bac à légumes, le plateau d'égouttage et les étagères et nettoyez-les ainsi que les surfaces intérieures de l'appareil à l'eau tiède à l'aide d'un chiffon doux.

Installation de votre appareil :

Placez l'appareil sur un sol suffisamment résistant pour supporter l'appareil lorsqu'il est complètement chargé. Pour mettre l'appareil à niveau, ajustez les deux pieds de mise à niveau à l'avant.

Ces modèles sont conçus pour être intégrés, mais peuvent également être utilisés de manière autonome. Pour une installation intégrée, conservez un espace de ¼" (6.35mm) de chaque côté et en haut et 2" (51mm) à l'arrière. Veillez à ce que l'évent situé à l'avant de l'appareil ne soit jamais recouvert ni bloqué.

Cet appareil est fourni avec des entretoises qui doivent être montées sur le tube du condenseur pour assurer un dégagement suffisant entre l'appareil et le mur.



Placez l'appareil à l'abri de la lumière directe du soleil et des sources de chaleur (four, appareil de chauffage, radiateur, etc.). La lumière directe du soleil peut affecter le revêtement acrylique et les sources de chaleur peuvent augmenter la consommation électrique. Des températures ambiantes extrêmement basses peuvent également affecter les performances de l'appareil.

Évitez de placer l'appareil dans des zones humides. Une trop grande humidité dans l'air provoquera rapidement la formation de givre sur l'évaporateur, ce qui nécessitera un dégivrage plus fréquent du compartiment congélateur (pour les modèles réfrigérateur-congélateur).

Branchez l'appareil dans une prise murale exclusive, correctement installée et mise à la terre. Toute question relative à l'alimentation et / ou à la mise à la terre doit être adressée à un électricien agréé ou à un centre de service agréé.

Connexion électrique :

⚠ AVERTISSEMENT

Une mauvaise utilisation de la fiche mise à la terre peut entraîner un risque de choc électrique. Si le cordon d'alimentation est endommagé, faites-le remplacer par le fabricant, son agent de service ou des personnes de qualification similaire pour éviter tout risque.

Cet appareil doit être correctement mis à la terre pour votre sécurité. Le cordon d'alimentation de cet appareil est équipé d'une fiche à trois broches qui s'adapte à une prise murale standard à trois broches afin de minimiser les risques de choc électrique.

En aucun cas, ne coupez ou ne retirez la troisième broche de terre du cordon d'alimentation fourni. Pour votre sécurité personnelle, cet appareil doit être correctement mis à la terre.

Cet appareil nécessite une prise électrique standard de 115 volts CA / 60Hz avec une terre à trois broches. Faites vérifier la prise murale et le circuit par un électricien qualifié pour vous assurer que la prise est correctement mise à la terre. Lorsque vous

rencontrez une prise murale standard à 2 broches, il vous incombe de la faire remplacer par une prise murale à 3 broches correctement mise à la terre.

Pour éviter toute blessure accidentelle, le cordon doit être sécurisé derrière l'appareil et ne pas être exposé ou pendu.

L'unité doit toujours être branchée sur sa propre prise électrique individuelle dont la tension nominale correspond à celle indiquée sur l'appareil. Ceci fournit les meilleures performances et évite également la surcharge des circuits de câblage de la maison qui pourraient causer un risque d'incendie dû à la surchauffe des fils. Ne débranchez jamais l'appareil en tirant sur le cordon d'alimentation. Saisissez toujours fermement la fiche et sortez-la du réceptacle. Réparez ou remplacez immédiatement tout cordon d'alimentation effiloché ou autrement endommagé. N'utilisez pas de cordon présentant des fissures ou des dommages dus à l'abrasion sur toute sa longueur ou à l'une de ses extrémités. Veillez à ne pas endommager le cordon d'alimentation lors du déplacement de l'appareil.

Rallonge :

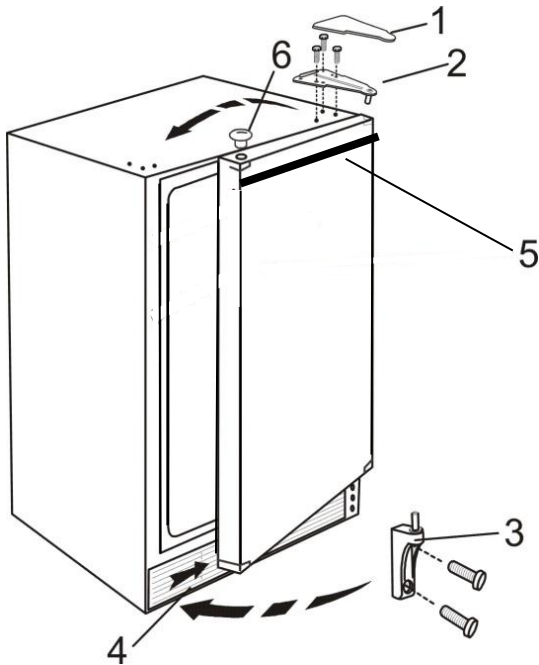
N'utilisez pas de rallonge avec cet appareil. Si le cordon d'alimentation est trop court, demandez à un électricien qualifié ou à un technicien de service d'installer une prise près de l'appareil.

Inverser la porte battante :

Si vous trouvez que le sens d'ouverture de la porte de l'appareil est gênant, vous pouvez le changer. Des trous du côté opposé ont déjà été préparés à l'usine.

Cet appareil peut être ouvert à droite ou à gauche. Par défaut, la charnière de la porte se trouve du côté droit. Si vous le préférez à gauche, veuillez suivre ces instructions:

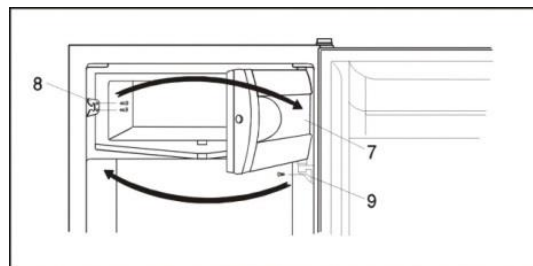
1. Retirez le cache de la charnière supérieure de la porte et retirez les vis qui maintiennent la charnière supérieure.
2. Soulevez la charnière pour libérer l'axe de la charnière de la prise située en haut de la porte.
3. Soulevez la porte et dégagez-la pour dégager sa prise inférieure de l'axe de la charnière.
4. Retirez les vis de la charnière inférieure.
5. Retirez les bouchons décoratifs du côté opposé et bouchez les trous du côté original avec les bouchons décoratifs.
6. Déplacez la charnière inférieure du côté opposé et serrez les vis. Utilisez des rondelles de blocage ou des écrous s'ils ont été installés dans l'installation originale.
7. Remplacez la porte sur l'axe de la charnière sur la charnière inférieure. Placez l'axe de charnière supérieur dans la porte. Insérez les vis dans la charnière supérieure et serrez.
8. Vérifiez le joint. Il ne devrait pas être froissé et devrait bien sceller.



1. Couverture de la charnière supérieure
2. Charnière supérieure
3. Charnière inférieure
4. Plaque de protection
5. Poignée
6. Fixation pour coin avec trou

Modification du sens de l'ouverture de la porte du compartiment basse température (pour les modèles Réfrigérateur-Congélateur) :

- Dévisser l'élément de blocage et la charnière du compartiment basse température et enlever la porte.
- Bouchez les trous avec les capuchons en plastique fournis.
- Tournez la porte à 180 ° et replacez-la du côté opposé du compartiment basse température. Fixer la charnière et l'élément de blocage de la porte (position des trous déjà prévue).



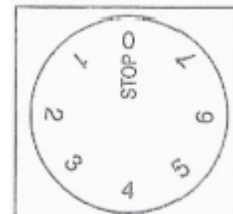
Utilisation de votre appareil

Réfrigérateur-Congélateurs (Modèles BRF65S, ADA65S)

Contrôle de la température :

Un système unique à double évaporateur refroidit séparément le réfrigérateur tout en maintenant le congélateur à 5 ° F. (La crème glacée et les autres aliments dans le congélateur restent congelés et ne sont pas brûlés par le congélateur.)

La température du réfrigérateur est contrôlée à l'aide d'un bouton de thermostat situé à l'intérieur de l'appareil, dans le coin supérieur droit. Tournez le bouton dans le sens des aiguilles d'une montre depuis la position **STOP (0)** vers les chiffres les plus élevés pour les températures plus froides. Des réglages plus élevés sur le bouton (chiffres plus élevés) signifient des températures plus basses (plus froides) dans le réfrigérateur.



Sur les réglages les plus froids, les températures à certains endroits du compartiment réfrigérateur peuvent descendre en dessous de 32 ° F. Utilisez des réglages de thermostat plus élevés uniquement lorsque cela est requis ou recommandé. Lorsque la température ambiante est normale, nous recommandons un réglage moyen. Les changements de la température ambiante affectent la température dans le compartiment réfrigérateur alors choisissez un réglage approprié du bouton du thermostat, en fonction des conditions ambiantes.

En position STOP (0), l'appareil ne fonctionne pas (le système de refroidissement est hors tension) et l'alimentation n'est pas interrompue (le voyant s'allume lorsque vous ouvrez la porte du réfrigérateur).

La température dans le compartiment réfrigérateur dépend également de la fréquence à laquelle vous ouvrez la porte.

Dans tous les petits réfrigérateurs et congélateurs sans ventilateur intérieur, les températures les plus froides se trouvent près du bas et parfois près de l'arrière. Placez le contenu en conséquence. Il est préférable de ne pas utiliser ces unités principalement vides. Si les températures sont irrégulières, essayez de mettre des bouteilles d'eau ou des packs de congélation à l'intérieur pour créer une charge pour le compresseur.

NOTES:

1. Pour un meilleur stockage, veillez à ne pas trop emballer et à ce que la porte du congélateur se ferme complètement.
2. Les étagères en verre sont réglables. Ces étagères s'arrêtent près du mur du fond, ce qui est essentiel pour la circulation de l'air et le bon fonctionnement du système de dégivrage automatique. Ne bloquez pas ces lacunes.
3. La lumière intérieure de cet appareil est contrôlée par un commutateur à piston, de sorte que la lumière s'allume automatiquement lorsque la porte du réfrigérateur est ouverte.
4. Si l'appareil est débranché, s'il est hors tension ou s'il est éteint, vous devez attendre 3 à 5 minutes avant de le redémarrer. Si vous essayez de redémarrer avant ce délai, l'appareil ne démarrera pas.

Dégivrage de votre appareil :

Cet appareil combine une section congélateur à dégivrage manuel et une section réfrigérateur à dégivrage automatique. Le compartiment réfrigérateur se dégivre, mais lorsque le givre atteint un demi-pouce dans le congélateur, dégivrez-le soigneusement selon cette procédure :

1. Retirez le contenu de l'ensemble de l'appareil en veillant à ce que les articles congelés ne commencent pas à décongeler. Réglez le thermostat sur **STOP (0)**.
2. Débranchez l'appareil. Le dégivrage est accéléré si les portes sont laissées ouvertes.
3. La glace fondue s'écoulera dans le plateau d'égouttement situé sous le compartiment du congélateur. Videz-le au besoin.
4. Utilisez une éponge ou une serviette pour enlever l'eau et la glace fondante du plancher du congélateur. Une fois que le givre ou la glace a fondu, séchez soigneusement l'intérieur du congélateur.
5. Redémarrez l'appareil en le branchant et en tournant le thermostat dans la position souhaitée. Une fois qu'il fait froid, remettez le contenu dans les sections congélateur et réfrigérateur.

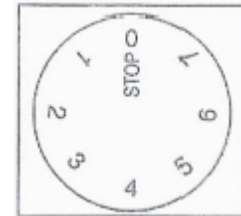
MISE EN GARDE : N'utilisez pas d'eau bouillante ni d'appareil électrique tel qu'un sèche-cheveux pour accélérer le processus de dégivrage, car cela pourrait endommager les pièces en plastique de l'appareil. De plus, n'utilisez jamais d'instruments pointus ou métalliques pour éliminer le givre, car cela pourrait endommager les serpentins de refroidissement et annuler la garantie. Nous vous recommandons d'utiliser un grattoir en plastique.

Tout-Réfrigérateurs (Modèles BAR63S, ADA63S, BAR61W, ADA61W)

Contrôle de la température :

L'évaporateur de votre appareil est invisible derrière la paroi arrière intérieure.

La température intérieure est contrôlée à l'aide d'un bouton de thermostat situé à l'intérieur de l'appareil, dans le coin supérieur droit. Tournez le bouton dans le sens des aiguilles d'une montre depuis la position **STOP (0)** vers les chiffres les plus élevés pour les températures plus froides. Des réglages plus élevés sur le bouton (chiffres plus élevés) signifient des températures plus basses (plus froides) dans le réfrigérateur.



Sur les réglages les plus froids, les températures à certains endroits à l'intérieur de l'armoire peuvent chuter en dessous de 32 ° F. Utilisez des réglages de thermostat plus élevés uniquement lorsque cela est requis ou recommandé. Lorsque la température ambiante est normale, nous recommandons un réglage moyen.

Les changements de la température ambiante affectent la température à l'intérieur du réfrigérateur, donc choisissez un réglage approprié du bouton du thermostat, en fonction des conditions ambiantes.

En position STOP (0), l'appareil ne fonctionne pas (le système de refroidissement est hors tension), mais l'alimentation n'est pas interrompue (le voyant fonctionne toujours).

La température à l'intérieur du réfrigérateur dépend également de la fréquence à laquelle vous ouvrez la porte.

Dans tous les petits réfrigérateurs sans ventilateur intérieur, les températures les plus froides se trouvent près du bas et parfois près de l'arrière. Placez le contenu en

conséquence. Il est préférable de ne pas utiliser ces unités principalement vides. Si les températures sont irrégulières, essayez de mettre quelques bouteilles d'eau à l'intérieur pour créer une charge pour le compresseur.

NOTES:

1. Les étagères en verre sont réglables. Ces étagères s'arrêtent près du mur du fond, ce qui est essentiel pour la circulation de l'air et le bon fonctionnement du système de dégivrage automatique. Ne bloquez pas ces lacunes.
2. L'éclairage intérieur est contrôlé par un interrupteur activé par l'ouverture et la fermeture de la porte du réfrigérateur.
3. Si le réfrigérateur est débranché, s'il est hors tension ou s'il est éteint, vous devez attendre 3 à 5 minutes avant de le redémarrer. Si vous essayez de redémarrer avant ce délai, l'appareil ne démarrera pas.

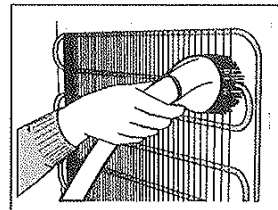
Dégivrage de votre appareil :

Votre tout-réfrigérateur fonctionne avec un système de dégivrage automatique, de sorte que le réfrigérateur se dégivre. Pendant le fonctionnement du compresseur, de la glace se formera le long de la paroi arrière froide (la plaque de l'évaporateur est derrière la paroi). Pendant le cycle de repos du compresseur, la glace fondra, s'égouttera, s'accumulera dans le bac au fond et s'égouttera par un petit trou dans un plateau au-dessus du compresseur; où la chaleur du compresseur va évaporer l'eau. Si vous remarquez une accumulation excessive de glace sur le mur arrière, essayez de régler le thermostat sur un réglage légèrement plus chaud. Assurez-vous que le joint de la porte est bien étanche et que le trou de vidange ne soit pas obstrué au bas de l'arrière de l'armoire intérieure.

Soin et entretien

Nettoyage de votre appareil :

1. Débranchez l'appareil, mettez le thermostat sur STOP (0) et retirez tout le contenu, y compris les étagères, le bac d'égouttage et le bac à légumes.
2. Laver les surfaces intérieures avec une solution d'eau tiède et de vinaigre. Essuyez avec un chiffon doux et propre.
3. Lavez les étagères, le plateau d'égouttage et le bac à légumes avec une solution détergente douce, puis rincez et séchez soigneusement.
4. Lavez l'armoire extérieure avec de l'eau chaude et un détergent liquide doux. Bien rincer et essuyer avec un chiffon doux et propre.
5. Essorez l'excès d'eau de l'éponge ou du chiffon avant de nettoyer la zone du régulateur de température ou toute pièce électrique.
6. De temps en temps, essuyez le condenseur sur la paroi arrière avec une brosse douce non métallique ou un aspirateur.
7. Une fois l'appareil nettoyé, reconnectez-le à l'alimentation électrique, réinitialisez le thermostat et remettez tout le contenu à sa place.



MISE EN GARDE : Ne pas débrancher l'appareil peut provoquer un choc électrique ou des blessures corporelles.

Panne électrique :

La plupart des pannes de courant sont corrigées en quelques heures et ne devraient pas affecter la température de votre appareil si vous minimisez le nombre de fois que la porte est ouverte. Si l'alimentation doit être coupée pendant une longue période, vous devez prendre les mesures appropriées pour protéger vos articles congelés et réfrigérés.

Vacances :

Pendant les longues absences, supprimez tout le contenu. Débranchez l'appareil, nettoyez-le et laissez les portes légèrement ouvertes pour éviter la formation possible de condensation, de moisissure ou d'odeurs.

Déplacer votre appareil :

1. Retirez le contenu.
2. Fixez solidement tous les objets non attachés dans votre appareil.
3. Tournez les pieds de nivellement jusqu'à la base pour éviter tout dommage.
4. Scotchez la porte fermée.
5. Assurez-vous que l'appareil reste bien en position verticale pendant le transport.

Conseils d'économie d'énergie :

L'unité doit être située dans la zone la plus fraîche de la pièce, à l'écart des appareils générant de la chaleur ou des conduits de chauffage et à l'abri de la lumière directe du soleil.

Essayez de ne pas ouvrir la porte trop souvent, surtout lorsque le temps est humide et chaud. Une fois la porte ouverte, fermez-la dès que possible.

Vérifiez de temps en temps si l'appareil est suffisamment ventilé (circulation d'air adéquate derrière l'appareil).

Régalez le thermostat de haut en bas dès que possible (cela dépend de l'état de charge de l'appareil, de la température ambiante, etc.).

Avant de charger des articles dans l'appareil, assurez-vous qu'ils ont refroidi à la température ambiante.

Une couche de givre et de glace augmente la consommation d'énergie, alors dégivrez le congélateur dès que la couche a une épaisseur de 1/2 ".

Dépannage

Lors de l'utilisation de cet appareil, vous pouvez rencontrer des problèmes qui, dans de nombreux cas, résultent d'une manipulation incorrecte et peuvent facilement être éliminés.

L'appareil ne fonctionne pas après avoir été connecté à la source d'alimentation.

- Vérifiez si l'alimentation est active et que le thermostat n'est pas réglé sur la position **STOP (0)**.

Le compresseur fonctionne continuellement.

- La porte était ouverte fréquemment ou laissée ouverte trop longtemps.
- La porte n'est pas correctement fermée (la porte peut s'affaisser, le joint peut être sale ou endommagé).
- L'alimentation a été interrompue pendant une longue période.
- L'appareil a peut-être été surchargé avec des objets au-dessus de la température ambiante.
- La ventilation du compresseur et du condenseur peut être insuffisante. (Assurez-vous qu'il y a une circulation d'air adéquate derrière l'appareil et essuyez la poussière du condenseur.)

Bruit

Le refroidissement dans les appareils de réfrigération est activé par le système de réfrigération avec compresseur, ce qui produit du bruit. Le niveau de bruit de l'appareil dépend de son emplacement, de son utilisation et de son âge.

- Pendant le fonctionnement du compresseur, le bruit du liquide se fait entendre et lorsque le compresseur ne fonctionne pas, le flux de réfrigérant est entendu. Ceci est une condition normale et n'a aucune influence sur la durée de vie de l'appareil.
- Après le démarrage de l'appareil, le fonctionnement du compresseur et le débit de réfrigérant peuvent être plus forts. Cela ne signifie pas que quelque chose ne va pas. Progressivement le bruit est réduit.
- Parfois, un bruit plus fort se fait entendre, ce qui est inhabituel pour l'appareil. Ce bruit est souvent la conséquence d'un mauvais placement de l'appareil. (L'unité doit être placée et nivelée fermement sur une base solide et ne doit pas toucher le mur ou les armoires qui se trouvent à côté.)

Notes

Notes

Garantie limitée

UN AN DE GARANTIE LIMITÉE

Dans les 48 États américains contigus, pendant un an à partir de la date d'achat, lorsque cet appareil est utilisé et entretenu conformément aux instructions jointes à, ou fournies avec le produit, le garant paiera pour les pièces spécifiées en usine et pour la main-d'œuvre pour corriger les vices de matériaux ou de fabrication. Le service doit être fourni par une compagnie de service désignée. En dehors des 48 États, toutes les pièces sont garanties pendant un an pour les défauts de fabrication. Les pièces en plastique, étagères et armoires sont garanties être fabriqués conformément aux normes acceptées dans le commerce et ne sont pas couvertes contre les dommages ou le bris pendant la manipulation.

GARANTIE DU COMPRESSEUR DE 5 ANS

1. Le compresseur est couvert par la garantie pendant 5 ans.
2. Le remplacement n'inclut pas la main-d'œuvre.

LE GARANT NE SERA PAS TENU DE PAYER POUR CES POINTS :

1. Les appels de service pour rectifier l'installation de votre appareil, pour vous indiquer comment utiliser votre appareil, remplacer ou réparer des fusibles ou rectifier le câblage ou la plomberie.
2. Les appels de service pour réparer ou remplacer des ampoules ou des étagères cassées. Les pièces à usure (telles que des filtres) sont exclues de la couverture de la garantie.
3. Les dommages résultant d'un accident, modification, usage impropre ou abusif, incendie, inondation, actes de Dieu, mauvaise installation, une installation non conforme aux codes d'électricité ou de plomberie, ou l'utilisation de produits non approuvés par le garant.
4. Les pièces de rechange ou les frais de réparation pour les appareils utilisés hors des États-Unis.
5. Les réparations aux pièces ou systèmes résultant de modifications non autorisées apportées à l'appareil.
6. Le retrait et la réinstallation de votre appareil s'il est installé dans un endroit inaccessible ou n'est pas installé conformément aux instructions d'installation.

EXCLUSION DE GARANTIES IMPLICITES; LIMITATION DES RECOURS

LE SEUL ET UNIQUE RECOURS DU CLIENT EN VERTU DE CETTE GARANTIE LIMITÉE EST LA RÉPARATION DU PRODUIT TEL QUE PRÉCÉDEMMENT DÉCRIT. GARANTIE IMPLICITE, Y COMPRIS LES GARANTIES DE QUALITÉ MARCHANDE OU D'ADÉQUATION À UN USAGE PARTICULIER, SONT LIMITÉES À UN AN. LE GARANT NE SERA PAS RESPONSABLE DES DOMMAGES DIRECTS OU INDIRECTS. CERTAINS ÉTATS NE PERMETTENT PAS L'EXCLUSION OU LA LIMITATION DES DOMMAGES DIRECTS OU INDIRECTS, OU LA LIMITATION DE LA DURÉE DES GARANTIES DE QUALITÉ MARCHANDE OU D'ADAPTATION, DE SORTE QUE CES EXCLUSIONS OU LIMITATIONS PEUVENT NE PAS S'APPLIQUER À VOUS. CETTE GARANTIE VOUS DONNE DES DROITS SPÉCIFIQUES ET VOUS POUVEZ AUSSI AVOIR D'AUTRES DROITS POUVANT VARIER D'UN ÉTAT À L'AUTRE.



AVERTISSEMENT : Ce produit peut vous exposer à des produits chimiques, y compris le nickel (métallisé), qui est connu de l'État de Californie pour causer le cancer, des anomalies congénitales ou d'autres problèmes de reproduction.

Pour plus d'informations, visitez le site www.P65Warnings.ca.gov

Remarque : Le nickel est un composant de tout acier inoxydable et d'autres compositions métalliques.

FELIX STORCH, INC.
770 Garrison Avenue
Bronx, NY 10474
Téléphone : (718) 893-3900
Télécopieur : (844) 478-8799
www.summitappliance.com

Pour les pièces et la commande des accessoires, le dépannage et des conseils de service, visitez le site:
www.summitappliance.com/support

Printed in the USA
Updated 4/22/2020