



## AL 400 722

Stainless steel  
Width 46 3/4" (120 cm)  
Air extraction / Air recirculation  
Two blowers required.

## AL 400 792

Stainless steel  
Width 36" (90 cm)  
Air extraction / Air recirculation  
Single blower required.

### Necessary installation accessories

Depending on the connection option (front, back, or bottom) one of the following accessories must be ordered.

#### AD 754 049

Connecting piece for AL 400

Metal zinc coated

DN 150 round

#### AD 854 050

Connecting piece for AL 400

Metal zinc coated

DN 150 flat

### Installation accessories

#### AA 409 401

Countertop support for AL 400 792 retractable downdraft.

#### AA 409 431

Countertop support for AL 400 722 retractable downdraft.

#### AD 704 050

Air collector box for AL 400

Metal zinc coated

DN 150 flat

### Retractable downdraft

#### AL 400

- Extendable downdraft ventilation, when not in use can be completely lowered into the countertop
- Can be combined perfectly with all Vario cooktops 400 series
- Dimmable, neutral white surface LED light for ideal illumination of the cooktop
- Precision crafted 3 mm stainless steel
- For surface mounting with a visible edge or for flush mounting
- Motorless, to be combined with Gaggenau blower(s)

### Output

Power levels depend on the blower selected.

Noise level depends on built in situation and blower(s) selection.

### Features

3 electronically controlled power levels and 1 intensive mode.

Interval ventilation, 6 min.

Run-on function, 6 min.

Grease filter saturation indicator.

2 large-scale metal grease filters included, easy to remove and dishwasher-safe.

Grease drip trays, easy to remove and dishwasher-safe.

Neutral white surface LED light (3600 K), continuously dimmable.

Lamp output 2 x 10 W.

Illuminance 400 lx.

Flexible connection options to the selected blower: at the bottom, at the front or at the back.

In all the options, it is possible to have space for drawers in front of the retractable downdraft ventilation.

### Planning notes

AL 400 792 : Combinable with all cooktops Vario 400 series, 400 series and 200 series. Maximum cooktops width: 36" (90 cm).

AL 400 722 : Combinable with all cooktops Vario 400 series and 400 series. Maximum cooktops width: 46 5/8" (120 cm).

It is recommended to use two inline, remote, or recirculation blower units with the AL 400 722 so that sufficient vapor capture will be ensured.

Depending on the type of installation, the corresponding accessories must be ordered separately.

Air recirculation is not recommended in combination with Vario electric grill. Operation of Vario cooking appliances only possible without appliance cover.

Max. output of cooktops 61,400 BTU (18 kW).

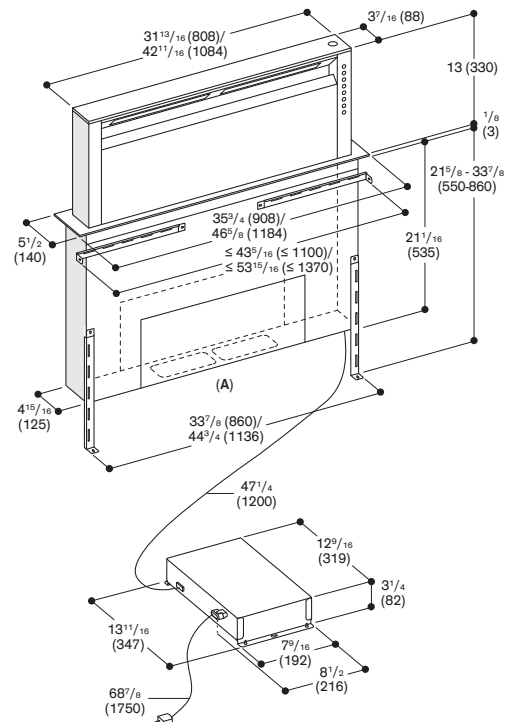
The retractable downdraft must have its own cooktop cut-out and must be 1 15/16" (50 mm) apart from the cooktop. The bearing capacity and stability, in the case of thin countertops in particular, must be supported using suitable substructures. Take into account the appliance weight and additional loads.

The remaining surface of the countertop min 1 15/16" (min. 50 mm) between the cut-outs must be reinforced with a support. It is recommended to use countertop support AA 409 401/431. Additional instructions for flush mounting: Installation is possible in countertops made of stone, synthetics or solid wood. Heat resistance and watertight sealing of the cut edges must be observed. Concerning other materials please consult the countertop manufacturer. Depending on the type of installation, ovens can be combined with the table ventilation.

The control unit should be accessible and be secured to a panel of the cabinet that avoids any risk of flooding.

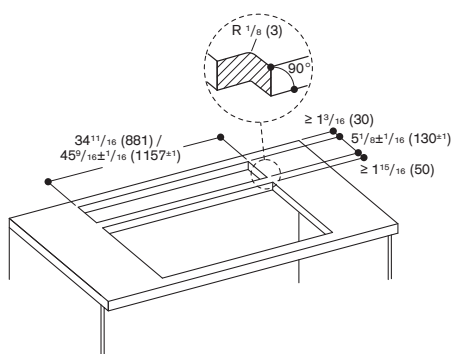
### Connection

Total connected load 65 W  
Connecting cable 68" (1.7 m) with NEMA 5-15P plug.  
Network cable 47" (1.2 m).

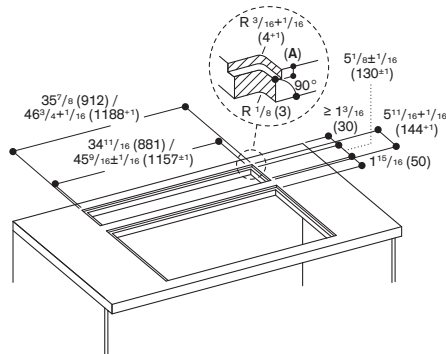


A: Flexible connection of the hood at the front, the back, or at the bottom

Surface-mount Installation

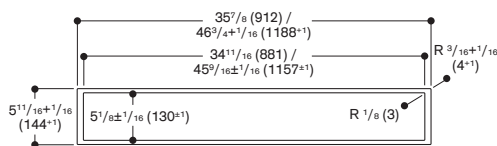


Flush-mount Installation

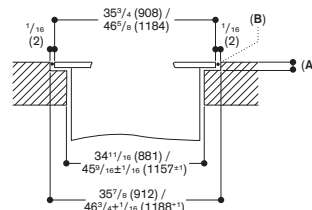


A: 1/8" (3.5<sup>0.5</sup> mm)

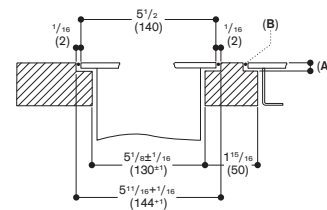
View from above



Longitudinal section



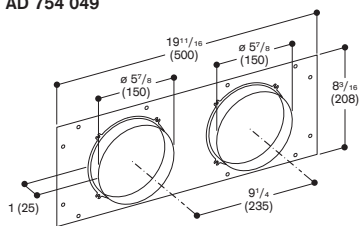
Cross-section



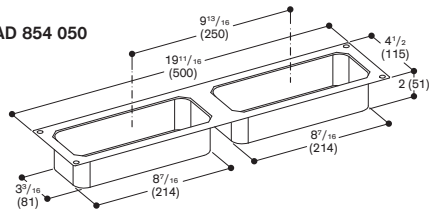
A: 1/8" (3.5<sup>0.5</sup> mm)  
B: Fill with silicone

A: 1/8" (3.5<sup>0.5</sup> mm)  
B: Fill with silicone

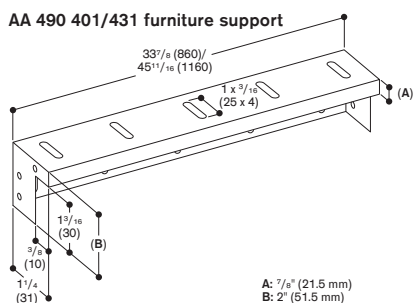
AD 754 049



AD 854 050

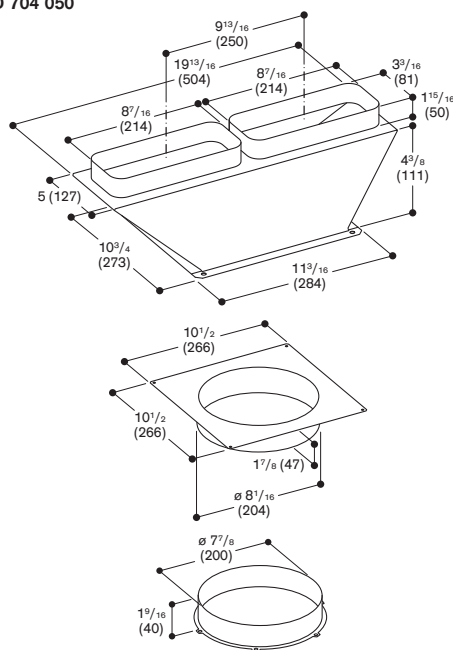


AA 490 401/431 furniture support



A: 7/8" (21.5 mm)  
B: 2" (51.5 mm)

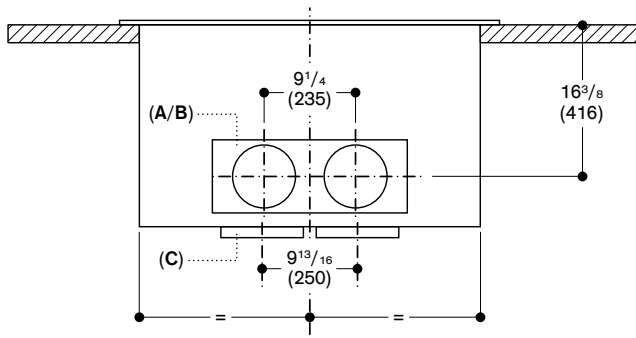
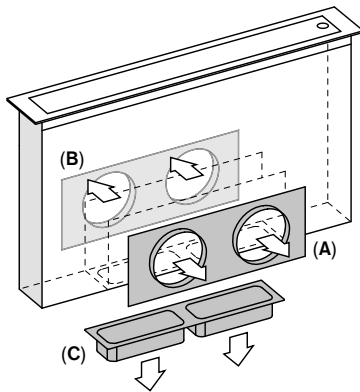
AD 704 050



## Recommended configurations for retractable downdraft ventilation 400 series

### Good to know – for correct planning and installation

- For depth measurements, take account of the depth of the furniture cavity and countertop overhangs of the kitchen furniture.
- The ducting can essentially be connected to the front, the back or straight down. The respective connecting pieces are available for this purpose.
- It is also important that ducting is well sealed in order to prevent air leaks, e.g. by using the adequate adhesive tape or using the adequate connecting piece.
- For the AL 400 722 it is recommended to use two inline, remote, or recirculation blower units, for sufficient vapor capture.
- Vario cooktops with intensive vapor formation like Vario Teppan Yaki or Vario electric grill should be placed central in front of the ventilation appliance.
- The use of air recirculation for the Vario electric grill is not recommended.
- The control unit should be accessible and be secured to a panel of the cabinet that avoids any risk of flooding.
- Depending on the type of installation, the corresponding accessories must be ordered separately.



- A:** Connection at the front with AD 754 049
- B:** Connection at the back with AD 754 049
- C:** Connection at the bottom with AD 854 050

Measurements in inches (mm)

## Planning example 1

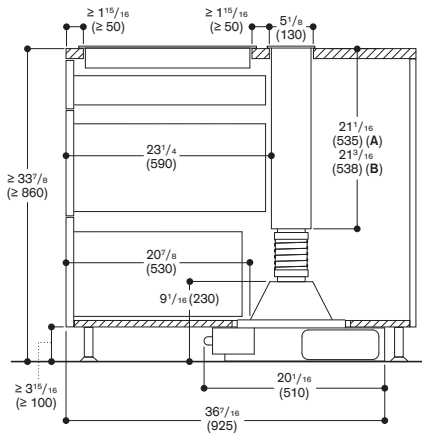
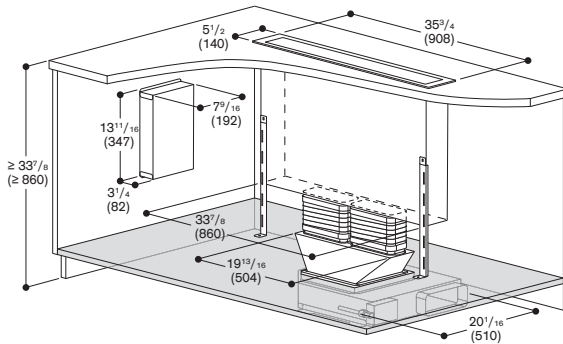
36" AL 400 792 with AR 403 722 (air extraction) blower

### Good to know

- The air collector box can be screwed directly on the blower.
- In the example exhaust is towards the right, it is also possible to the left, please be aware that the measurements will be different.

### List of components

- 1x AL 400 792
- 1x AD 854 050 (connecting pieces for flat duct downward, 2x DN 150)
- 1x AD 704 050 (air collector box for AL 400 792)
- 2x AD 858 010 (Flat duct flex pipe)
- 1 x AR 403 722 (for extraction)



A: Surface mounting  
B: Flush mounting

Measurements in inches (mm)

## Planning example 2

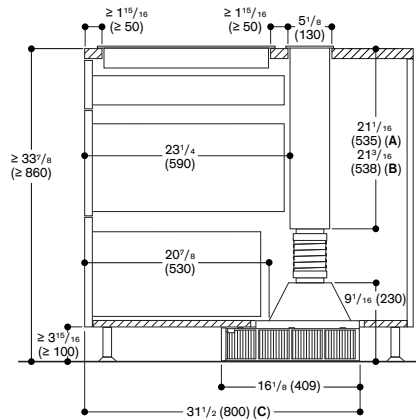
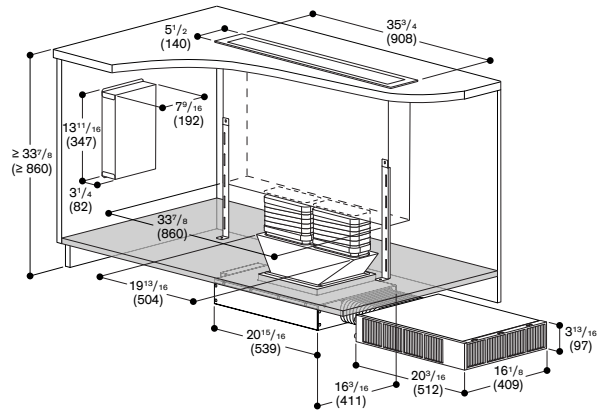
36" AL 400 792 with AR 413 722 (air recirculation) blower

### Good to know

- The air collector box can be screwed directly on the blower.
- For optimum performance, the recirculated air requires sufficient space to escape in the cabinet (outflow surface area of at least 1/2 sq ft (400 cm<sup>2</sup>).
- The use of the VP 414 611 electric grill is not recommended in recirculation.

### List of components

- 1x AL 400 792
- 1x AD 854 050 (connecting pieces for flat duct downward, 2x DN 150)
- 1x AD 704 050 (air collector box for AL 400 792)
- 2x AD 858 010 (Flat duct flex pipe)
- 1x recirculation blower configuration (1x AR 413 722 recirculation blower + 1x AA 413 722 air recirculation module + AD 413 722 oval flex duct)



A: Surface mounting  
B: Flush mounting  
C: 29 1/2" (750 mm) with a worktop at min. height 36 1/4" (920 mm)

Measurements in inches (mm)

## Planning example 3

36" AL 400 792 with AR 403 722 (air extraction) blower

### Good to know

- The blower can be connected to the front or the back.
- The air collector box can be screwed directly on the blower.
- In the example exhaust is towards the left, it is also possible to the right, please be aware that the measurements will be different.

### List of components

- 1x AL 400 792
- 1x AR 403 722 (for extraction)
- 1x AD 754 049 (connecting piece round duct to front/back)
- 2x AD 854 032 (flat duct adapter round 90°)
- 2x AD 858 010 (flat duct flex pipe)
- 1x AD 704 050 (air collector flat duct)
- 1x AD 990 091 (adhesive tape aluminum)

## Planning example 4

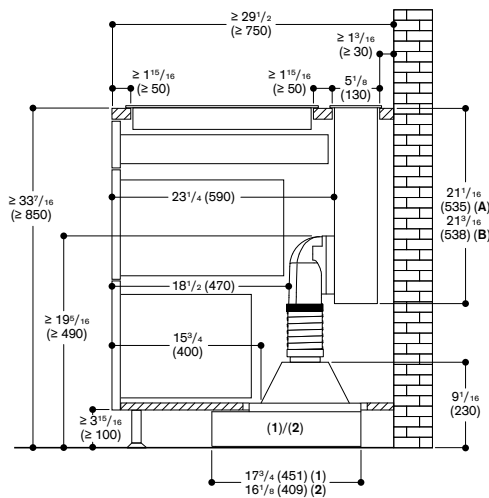
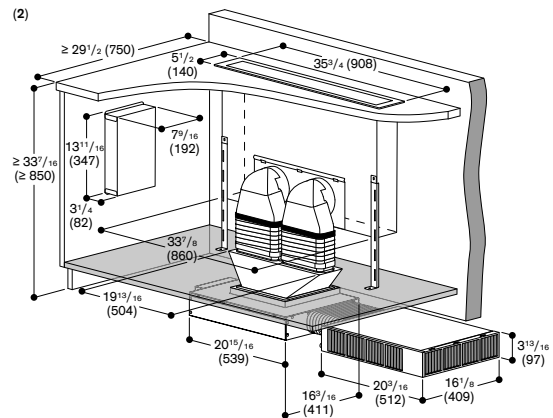
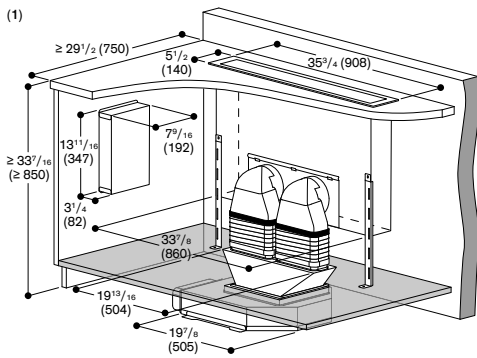
36" AL 400 792 with AR 413 722 (air recirculation) blower

### Good to know

- The blower can be connected to the front or the back.
- The air collector box can be screwed directly on the blower.
- For optimum performance, the recirculated air requires sufficient space to escape (outflow surface area of at least 1/2 sq ft. (400 cm<sup>2</sup>)).
- The use of the VP 414 611 electric grill is not recommended in recirculation.

### List of components

- 1x AL 400 792
- 1x AR 413 722 + AA 413 722 air recirculation module
- + 1x AD 413 722 oval flex duct (for recirculation)
- 1x AD 754 049 (connecting piece round duct to front/back)
- 2x AD 854 032 (flat duct adapter round 90°)
- 2x AD 858 010 (flat duct flex pipe)
- 1x AD 704 050 (air collector flat duct)
- 1x AD 990 091 (adhesive tape aluminum)



A: Surface mounting  
B: Flush mounting

Planning with remote fan unit  
1: AR 403 722  
2: AR 413 722

Measurements in inches (mm)

**Planning example 5**  
**36" AL 400 792 with AR 400 742 (air extraction inline blower) -**  
**Cellar installation**

**Good to know**

- Depending on the distance between the AL400 and the blower you may need more flat and round ducts.

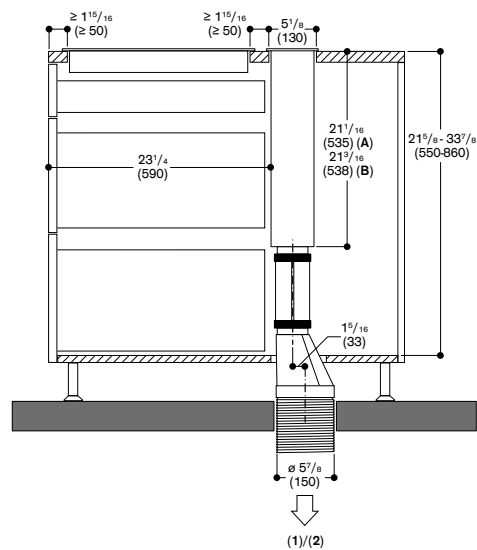
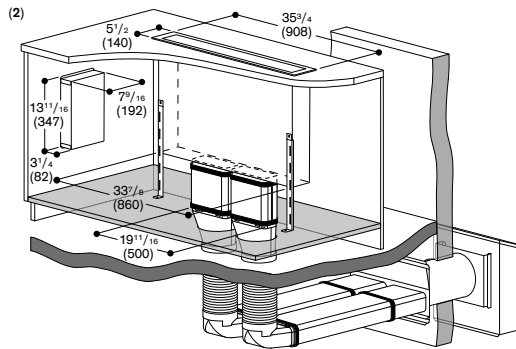
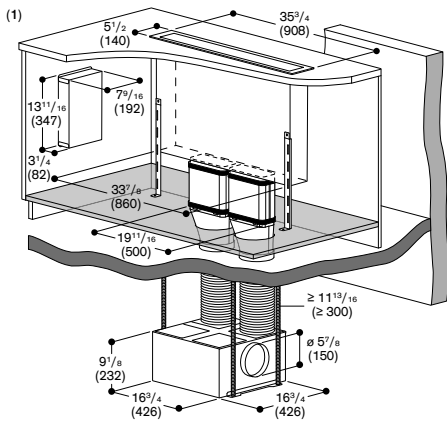
**List of components**

- 1x AL 400 792
- 1x AD 854 050 (connecting piece to the bottom)
- 2x AD 854 010 (flat duct, metal)
- 2x AD 854 041 (flat duct adapter round, metal)
- 1x or more AD 751 010 (aluflex pipe round) depending on distance to the cellar
- 1x AD 990 091 (adhesive tape aluminum)
- 1x AR 400 742 (inline blower)

**Planning example 6**  
**36" AL 400 792 with AR 401 742 (air extraction remote blower) -**  
**Cellar installation with outside remote blower**

**List of components**

- 1x AL 400 792
- 1x AD 854 050 (connecting piece to the bottom)
- 2x AD 854 041 (flat duct adapter round, metal)
- 1x AD 751 010 (aluflex pipe round)
- 2x AD 854 032 (flat duct adapter round 90°, metal)
- 1x AD 704 050 (air collector box for AL 400 792)
- 1x AD 702 052 (telescopic wall duct)
- 1x AR 401 742 (remote blowers)
- 1x AD 990 091 (adhesive tape aluminum)



Extraction mode with remote fan unit  
 1: AR 400 742  
 2: AR 401 742

Measurements in inches (mm)

## Planning example 7

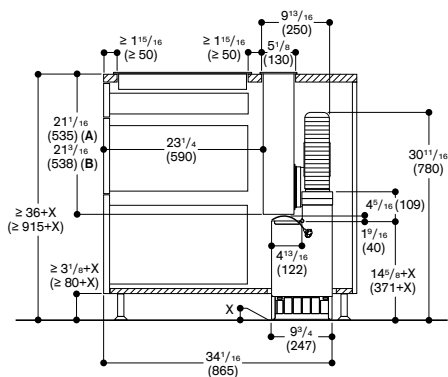
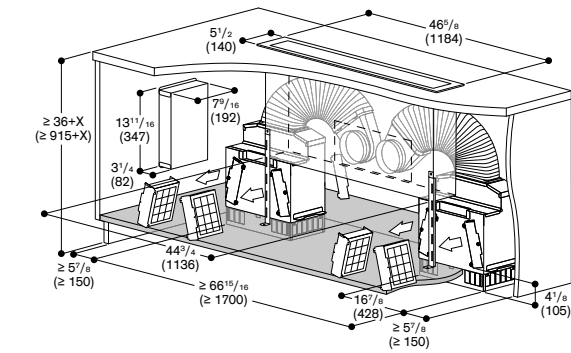
46 5/8" AL 400 722 with 2x AR 410 710 (air recirculation) blowers

### Good to know

- The blowers can be connected to the front or the back.
- For optimum performance, the recirculated air requires sufficient space to escape through the cabinets (outflow surface area of at least 1 sq. ft. (800 cm<sup>2</sup>), 400 cm<sup>2</sup> for each blower unit).
- The use of the VP 414 611 electric grill is not recommended in recirculation.

### List of components

- 1x AL 400 722
- 2x AR 410 710 (recirculation blower)
- 1x AD 754 049 (connecting piece round duct to front/back)
- 2x AD 854 032 (flat duct adapter round 90°)
- 2x AD 858 010 (flat duct flex pipe)
- 1x AD 990 091 (adhesive tape aluminum)



A: Surface mounting  
B: Flush mounting

Measurements in mm

## Planning example 8

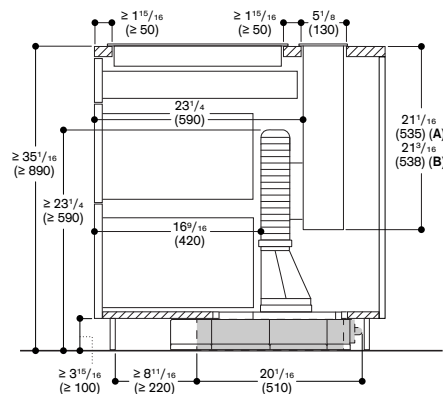
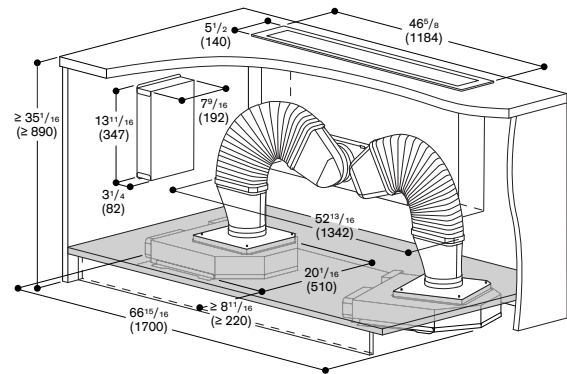
46 5/8" AL 400 722 with 2x AR 403 722 (air extraction) blowers

### Good to know

- The blowers can be connected to the front or the back.
- In the example below exhaust is towards to the left, it is also possible to the right, please be aware that the measures will be different.

### List of components

- 1x AL 400 722
- 2x AR 403 722 (inline blowers)
- 1x AD 754 049 (connecting piece round duct to front/back)
- 2x AD 854 032 (flat duct adapter round 90°)
- 2x AD 858 010 (flat duct flex pipe)
- 2x AD 854 041 (flat duct adapter round)
- 1x AD 990 091 (adhesive tape aluminum)



A: Surface mounting  
B: Flush mounting

Measurements in mm

## Planning example 9

46 5/8" AL 400 722 with 2x AR 400 742 (air extraction inline blower) -  
Cellar installation

## Planning example 10

46 5/8" AL 400 722 with 2x AR 401 742 (air extraction remote blower) -  
Cellar installation with outside wall remote fan unit

### Good to know

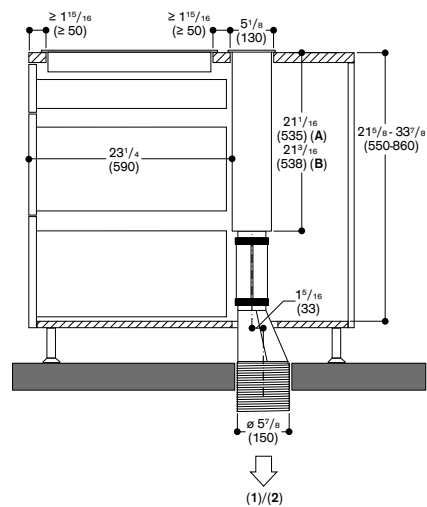
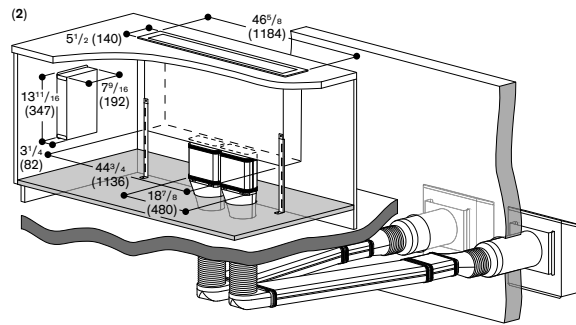
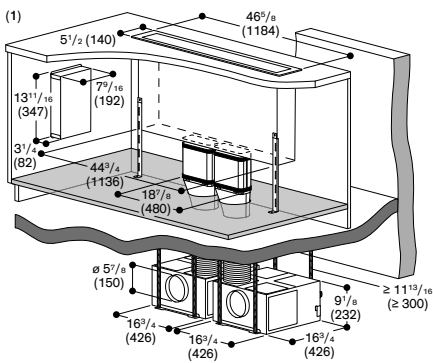
- Depending on the distance between the AL400 and the blower units you may need additional ducting.

### List of components

- 1x AL 400 722
- 1x AD 854 050 (connecting piece to the bottom)
- 2x AD 854 010 (flat duct, metal)
- 2x AD 854 041 (flat duct adapter round, metal)
- 1x or more AD 751 010 (aluflex pipe round) depending on distance to the cellar
- 2x AR 400 742 (inline blower)
- 1x AD 990 091 (adhesive tape aluminum)

### List of components

- 1x AL 400 722
- 1x AD 854 050 (connecting piece to the bottom)
- 4x AD 854 010 (flat duct, metal)
- 4x AD 854 041 (flat duct adapter round, metal)
- 1x AD 751 010 (aluflex pipe round) or more depending on distance to the external wall
- 2x AD 854 032 (flat duct adapter round 90°, metal)
- 2x AD 704 040 (pipe adapter DN200/150 round, metal)
- 2x AD 702 052 (telescopic wall duct)
- 2x AR 401 742 (remote blowers)
- 1x AD 990 091 (adhesive tape aluminum)



A: Surface mounting  
B: Flush mounting

Extraction mode with remote fan unit  
1: AR 400 742  
2: AR 401 742

Measurements in inches (mm)



## General ventilation planning notes

The aim of good ventilation system planning is to extract cooking vapors out of the kitchen area as completely and quickly as possible. To help you plan and install your system correctly, here are a few important notes on system planning from our ventilation experts.

The planning of a ventilation system is significantly determined by the air requirement and air output. The air requirement must be contrasted with the corresponding air output that a ventilation appliance can produce, while taking the influence of all the ventilation components involved into account.

### Air requirement needed:

Please observe the local applicable building regulations when configuring ventilation solutions. The air output of a complete ventilation system must be designed according to the air requirement needed. For this, the size of the kitchen and a corresponding air change rate for the volume of space are often used as the basis for planning.

If the distance between the ventilation system and the cooktop is less than 4 feet, the factors listed below must be taken into account to ensure that most of the cooking vapors are trapped as soon as they rise from the cooktop:

- **The size and architecture of the kitchen:** As the size of the room increases, the movements of air in the room also increase and, as a result, the air requirement becomes greater.
- **The cooking appliances:** The choice of cooktop is the decisive influencing factor. Every cooktop produces different types and amounts of cooking vapors. The wider the cooktop, the higher the output of the ventilation system should be. Above all, the ventilation system must have a sufficient reserve capacity, if special Vario cooking appliances, such as a fryer, Teppan Yaki, wok or grill, are to be installed, because such appliances can be expected to produce a higher amount of cooking vapors. We therefore also recommend that these special cooking appliances are installed, if possible, in the centre of the cooktop configuration and not at the edge.
- **The type of ventilation system:** Every type of ventilation system has particular characteristics which influence the air requirement needed. Ventilation systems, such as downdraft ventilation, are characterized by extracting vapors directly from the cooktop. As they rise up, the cooking vapors can therefore not spread as far in the ambient air. In this case, the air output required is usually less than for those types of ventilation system that are 30" or further away from the cooktop.
- **The operation mode:** All Gaggenau ventilation systems can be operated both in exhaust air mode and air recirculation mode. It should be noted that, in air recirculation mode, the additional activated charcoal air filter leads to a reduction in air output in comparison to exhaust air mode. The larger the surface of the activated charcoal air filter, the more the ventilation system bears comparison in its extraction and noise behavior with an exhaust air solution. In air extraction mode, the actual air output depends not only on the blower output, but also significantly on the duct system.

### Important influencing factors on the air output/CFM rate:

- The blowers: Gaggenau ventilation systems can be combined with powerful blowers for exhaust air or air recirculation mode. These blowers are also very pressure-stable. They overcome possible pressure losses caused by a ducting system and work highly effectively at a low noise level.
- Ducting and installation: To achieve optimum results, the following points should be observed during installation:
  1. Install duct bends with a minimum clearance of 12" from the exhaust air opening.
  2. Avoid reductions in cross sections.
  3. For duct bends, use bends that are as wide as possible.
  4. For longer duct runs, preferably install ducts that have a smooth and flat inner surface.
  5. Use exhaust air pipes with a diameter of at least  $\varnothing$  5".
  6. Pay attention to the use of a short ducting path where possible.
  7. Fit wall outlets that have wide fins, wide-meshed grills and a low back-pressure.
  8. Ensure sufficient supply air.