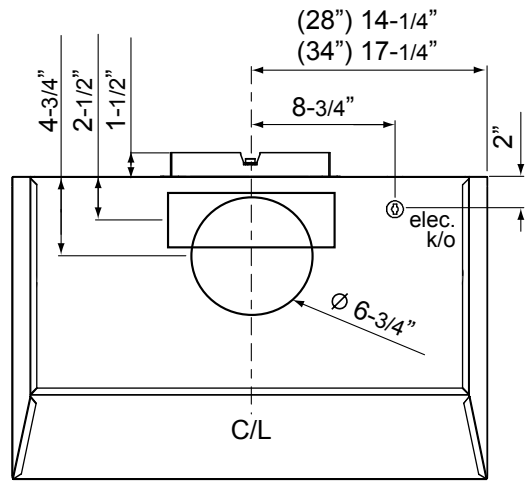
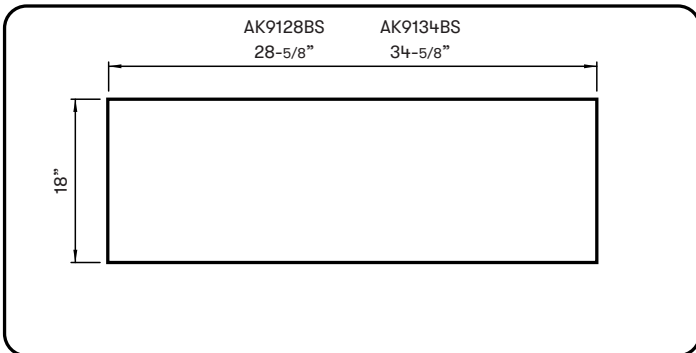


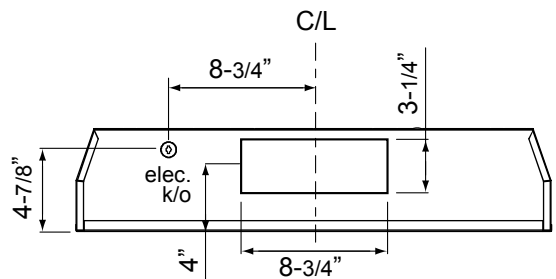
3/4 Angle



Top



Cabinet Bottom Cut-Out Size (W x D): 28-5/8" x 18-5/16" (AK928BS), 34-5/8" x 18-5/16" (AK9134BS)



Back

MODEL	AK9128BS	AK9134BS
Stainless Steel		
Size	28-3/8" (30")	34-3/8" (36")
Blower CFM (Min. - Max.)	150 - 300	150 - 300
Sones (Min. - Max.)	1.5 - 4	1.5 - 4
FEATURES		
Controls	Mechanical Slide	Mechanical Slide
Speed Levels	3	3
Lighting	LumiLight LED, 6W x2	LumiLight LED, 6W x2
Dual-Level Lighting	Yes	Yes
Filters	Hybrid Baffle x2	Hybrid Baffle x2
Recirculating Option	Yes	Yes
DUCT SPECIFICATIONS		
Vertical Internal Blower	7" Round, 3-1/4" x 10"	7" Round, 3-1/4" x 10"
Horizontal Internal Blower	3-1/4" x 10"	3-1/4" x 10"
AC POWER	120V, 60Hz at Max. 2A	120V, 60Hz at Max. 2A
OPTIONAL ACCESSORIES		
Recirculating Kit	ZRC-9100A	ZRC-9100A
Damper, 7" Round	AK00067	AK00067
MOUNTING HEIGHT RANGE*	24" - 36"	24" - 36"
WARRANTY	3 years parts, 1 year labor	3 years parts, 1 year labor

*Mounting height refers to distance between top of a 36" tall cooking surface and bottom of hood.