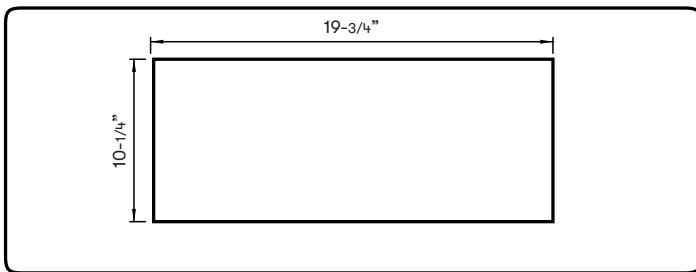
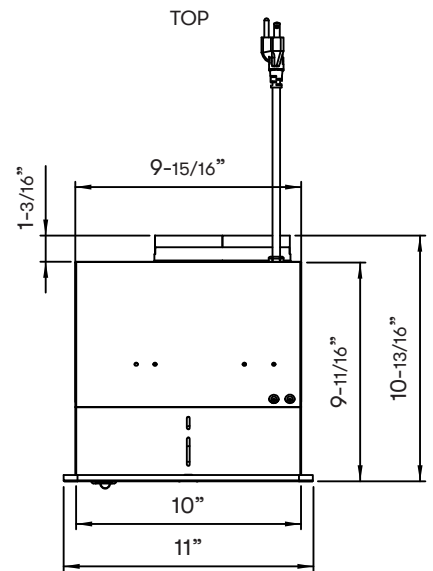
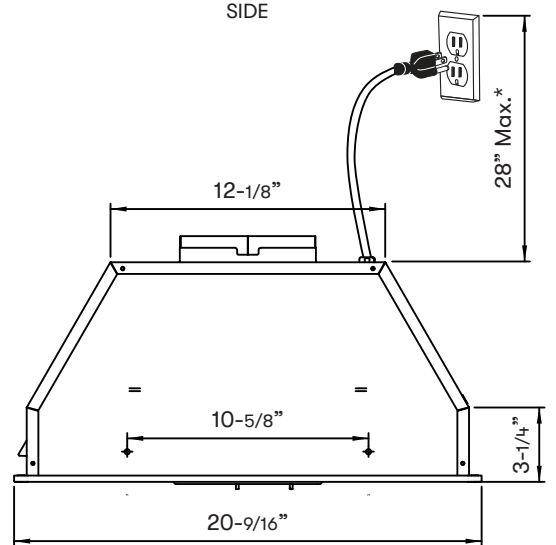


Shown with 30" adjustable depth liner, AK0840AS



Cabinet Bottom Cut-Out Size (W x D): 19-3/4" x 10-1/4"

SIDE



BACK

\*Includes a 35" long grounded power cord

**MODEL**

Stainless Steel	AK8400BS
Size	21" (20-9/16")

**BLOWER PERFORMANCE**

Blower CFM (Min. - Max.)	210 - 400
Sones (Min. - Max.)	2 - 5

**FEATURES**

Controls	Mechanical Slide
Speed Levels	3
Auto Delay-Off	No
Lighting	LumiLight LED, 6W x2
Dual-Level Lighting	Yes
Filters	Aluminum Mesh x1
Recirculating Option	Yes

**DUCT SPECIFICATIONS**

Vertical Internal Blower	6" Round
Horizontal Internal Blower	NA
AC POWER	120V, 60Hz at Max. 3A

**OPTIONAL ACCESSORIES**

30" Liner (17-1/2" - 20-1/2" Depth)	AK0840AS
36" Liner (17-1/2" - 20-1/2" Depth)	AK0846AS
Recirculating Kit	ZRC-8400A

**MOUNTING HEIGHT RANGE\***

Electrical Cooktop	20" - 36"
Gas Cooktop	24" - 36"

<b>WARRANTY</b>	3 years parts, 1 year labor
-----------------	-----------------------------

\*Mounting height refers to distance between top of a 36" tall cooking surface and bottom of hood.