

**Gaggenau**

Use and care manual and installation instructions

Notice d'utilisation et de montage

Instrucciones de uso y montaje

# AF 2..

Hood AF 2..

Hotte aspirante AF 2..

Campana extractora AF 2..

---

## Table of Contents

---

---

### Use and care manual 2

---

#### Safety Definitions 3

#### IMPORTANT SAFETY INSTRUCTIONS 4

General notes 4

Fire Safety 4

Burn Prevention 5

Child Safety 5

Cleaning Safety 6

Safe use 6

Proper Installation and Maintenance 6

Proposition 65 Warning: 7

Causes of Damage 8

Protecting the environment 8

Saving energy 8

Operating modes 9

Exhaust air mode 9

Recirculation 9

Operating the appliance 9

Operating the appliance 9

Turn on the fan 9

Intense level 10

Run-on function 10

Interval ventilation 10

Lighting 10

Saturation notification 10

Cleaning and maintenance 11

Troubleshooting 13

Customer service 13

Accessories 14

---

### Installation Instructions 14

---

#### IMPORTANT SAFETY INSTRUCTIONS 15

Appliance Handling Safety 16

Safety Codes and Standards 16

Electric Safety 16

Related Equipment Safety 17

Proposition 65 Warning: 17

Before you begin 18

Tools and parts needed 18

Parts included 18

Safety clearances 18

General Notes 19

Exhaust air mode 19

Ventilation line 19

Preparing the units 20

Preparing the appliance 21

Electrical connection 22

Installation 23

Mounting the appliance 23

Detaching the appliance 23

Final assembly 24

Removing the appliance 24

Additional information on products, accessories, replacement parts and services can be found at [www.gaggenau.com](http://www.gaggenau.com) and in the online shop [www.gaggenau.com/zz/store](http://www.gaggenau.com/zz/store)

---

## Safety Definitions

---

---

### WARNING

---

This indicates that death or serious injuries may occur as a result of non-observance of this warning.

---

---

### CAUTION

---

This indicates that minor or moderate injuries may occur as a result of non-observance of this warning.

---

**NOTICE:** This indicates that damage to the appliance or property may occur as a result of non-compliance with this advisory.

**Note:** This alerts you to important information and/or tips.



# IMPORTANT SAFETY INSTRUCTIONS

READ AND SAVE THESE INSTRUCTIONS

---

## WARNING

When properly cared for, your new appliance has been designed to be safe and reliable. Read all instructions carefully before use. These precautions will reduce the risk of burns, electric shock, fire, and injury to persons. When using kitchen appliances, basic safety precautions must be followed, including those in the following pages.

---

## General notes

Examine the appliance after unpacking it. In the event of transport damage, do not plug it in.

## Fire Safety

Always have a working smoke detector near the kitchen.

---

## WARNING

TO REDUCE THE RISK OF A RANGE TOP GREASE FIRE:

- a) Never leave surface units unattended at high settings. Boilovers cause smoking and greasy spillovers that may ignite. Heat oils slowly on low or medium settings.
- b) Always turn hood ON when cooking at high heat.
- c) Clean ventilating fans frequently. Grease should not be allowed to accumulate on fan or filter.
- d) Use proper pan size. Always use cookware appropriate for the size of the surface element.

Do not flambé under the extractor hood or work with a naked flame. When switched on, the extractor hood draws flames into the filter. There is a risk of fire due to deposits on the grease filter!

---

---

## CAUTION

For general ventilating use only. Do not use to exhaust hazardous or explosive materials and vapors.

---

Do not operate any fan with a damaged cord or plug. Discard fan or return to an authorized service facility for examination and/or repair.

Do not run cord under carpeting. Do not cover cord with throw rugs, runners, or similar coverings. Do not

route cord under furniture or appliances. Arrange cord away from traffic area and where it will not be tripped over.

In the event that personal clothing or hair catches fire, drop and roll immediately to extinguish flames.

Smother flames from food fires other than grease fires with baking soda. Never use water on cooking fires.

---

## WARNING

TO REDUCE THE RISK OF INJURY TO PERSONS IN THE EVENT OF A RANGE TOP GREASE FIRE, OBSERVE THE FOLLOWING:

- SMOTHER FLAMES with a close-fitting lid, cookie sheet, or metal tray, then turn off the burner. BE CAREFUL TO PREVENT BURNS. If the flames do not go out immediately, EVACUATE AND CALL THE FIRE DEPARTMENT.
  - NEVER PICK UP A FLAMING PAN – You may be burned.
  - DO NOT USE WATER, including wet dishcloths or towels – a violent steam explosion will result.
  - Use an extinguisher ONLY if:
    - You know you have a Class ABC extinguisher, and you already know how to operate it.
    - The fire is small and contained in the area where it started.
    - The fire department is being called.
    - You can fight the fire with your back to an exit.
- 

Have an appropriate fire extinguisher available, nearby, highly visible and easily accessible near the appliance.

Whenever possible, do not operate the ventilation system during a cooktop fire. However, do not reach through fire to turn it off.

---

## WARNING

### Risk of fire

Grease deposits in the grease filter can ignite.

**Clean the grease filter at least every two months.**

Never operate the appliance without the grease filter.

---



# IMPORTANT SAFETY INSTRUCTIONS

READ AND SAVE THESE INSTRUCTIONS

---

## WARNING

### Risk of fire

Grease deposits in the grease filter can catch fire. Never work with a naked flame near the appliance (e.g. flambéing). Install the unit near a heat-producing appliance for solid fuels (e.g. wood or coal) only if there is a closed, non-detachable cover. There must be no flying sparks.

---

---

## WARNING

### Risk of fire

When gas burners are in operation without any cookware placed on them, they can build up a lot of heat. A ventilation appliance installed above the cooker may become damaged or catch fire. Only operate the gas burners with cookware on them.

---

---

## WARNING

### Risk of fire

During simultaneous use of multiple gas burners, a great deal of heat is created. A ventilation device located above it can become damaged or catch fire. Never use two gas burners together at maximum heat for longer than 15 minutes. One large burner with over 17,000 BTU/hr (5 kW) (wok) is equal to the wattage of two gas burners.

---

---

## WARNING

### Risk of fire

Operating several gas burners at the same time gives rise to a great deal of heat. The ventilation appliance may become damaged or catch fire. The ventilation appliance must only be combined with gas burners that do not exceed the maximum total output of 61,000 BTU/hr (18 kW). If 41,000 BTU/hr (12 kW) is exceeded, the local regulations concerning room ventilation, room size, and combination with ventilation devices in exhaust and recirculating operation must be followed.

---

---

## WARNING

### Risk of fire

Hot oil and fat catch fire fast. Never leave hot oil and fat unsupervised. Never extinguish a fire with water. Switch off the cooking position. Suffocate flames carefully with a lid, a fire blanket or similar.

---

## Burn Prevention

---

## WARNING

### Risk of burns

The accessible parts get hot during operation. Never touch hot parts. Keep children away.

---

## Child Safety

When children become old enough to use the appliance, it is the responsibility of the parents or legal guardians to ensure that they are instructed in safe practices by qualified persons.

Remove all tape and packaging before using the appliance. Destroy the packaging after unpacking the appliance. Never allow children to play with packaging material.

Do not allow anyone to climb, stand, lean, sit, or hang on any part of an appliance, especially a door, warming drawer, or storage drawer. This can damage the appliance, and the unit may tip over, potentially causing severe injury.

Do not allow children to use this appliance unless closely supervised by an adult. Children and pets should not be left alone or unattended in the area where the appliance is in use. They should never be allowed to play in its vicinity, whether or not the appliance is in use.

---

## CAUTION

Items of interest to children should not be stored in an appliance, in cabinets above an appliance or on the backsplash. Children climbing on an appliance to reach items could be seriously injured.

---



# IMPORTANT SAFETY INSTRUCTIONS

READ AND SAVE THESE INSTRUCTIONS

## Cleaning Safety

---

### WARNING

Be sure the entire appliance (including the grease filters and light bulbs, if applicable) has cooled and grease has solidified before attempting to clean any part of the appliance.

---

Do not use steam cleaners to clean the appliance.

## Safe use

---

### WARNING

Do not repair, replace or remove any part of the appliance unless specifically recommended in the manuals. Improper installation, service or maintenance can cause injury or property damage. Refer to this manual for guidance. All other servicing should be done by an authorized servicer.

---

---

### WARNING

#### Risk of injury

Items placed on the appliance may fall down. Do not place any objects on the appliance.

---

---

### WARNING

#### Risk of injury

The light emitted by LED lights is very dazzling, and can damage the eyes (risk group 1). Do not look directly into the switched on LED lights for longer than 100 seconds.

---

## Proper Installation and Maintenance

Have the installer show you the location of the circuit breaker or fuse. Mark it for easy reference.

This appliance must be properly installed and grounded by a qualified technician. Connect only to properly grounded outlet. Refer to Installation Instructions for details.

This appliance is intended for normal family household use only. It is not approved for outdoor use. See the Statement of Limited Product Warranty. If you have any questions, contact the manufacturer.

Do not store or use corrosive chemicals, vapors, flammables or nonfood products in or near this appliance. It is specifically designed for use when heating or cooking food. The use of corrosive chemicals in heating or cleaning will damage the appliance and could result in injury.

Do not operate this appliance if it is not working properly, or if it has been damaged. Contact an authorized servicer.

Do not repair or replace any part of the appliance unless specifically recommended in this manual. Refer all servicing to a factory authorized service center.

---

### CAUTION

Grease left on filters can remelt and move into the vent.

---

Hidden surfaces may have sharp edges. Use caution when reaching behind or under appliance.

---

### WARNING

When the hood is operated in exhaust-air mode simultaneously with a different burner which also makes use of the same chimney (such as gas, oil or coal-fired heaters, continuous-flow heaters, hot-water boilers) care must be taken to ensure that there is an adequate supply of fresh air which will be needed by the burner for combustion.

Safe operation is possible provided that the under pressure in the room where the burner is installed does not exceed 4 Pa (0.04 mbar).

This can be achieved if combustion air can flow through non-lockable openings, e.g. in doors, windows and via the air-intake/exhaust-air wall box or by other technical measures, such as reciprocal interlocking, etc.

---

---

### WARNING

To reduce the risk of fire, electric shock or injury to persons, do not use replacement parts that have not been recommended by the manufacturer (e.g. parts made at home using a 3D printer).

---



# IMPORTANT SAFETY INSTRUCTIONS

READ AND SAVE THESE INSTRUCTIONS

---

## WARNING

Avoid carbon monoxide poisoning – Provide adequate air intake so combustion gases are not drawn back into the room.

An air-intake/exhaust-air wall box by itself is no guarantee that the limiting value will not be exceeded.

**Note:** When assessing the overall requirement, the combined ventilation system for the entire household must be taken into consideration. This rule does not apply to the use of cooking appliances, such as cooktops and ovens.

---

## Proposition 65 Warning:

This product may contain a chemical known to the State of California, which can cause cancer or reproductive harm. Therefore, the packaging of your product may bear the following label as required by California:

STATE OF CALIFORNIA PROPOSITION 65 WARNING:



**WARNING**

Cancer and Reproductive Harm - [www.P65Warnings.ca.gov](http://www.P65Warnings.ca.gov)

---

## Causes of Damage

---

### **NOTICES:**

- Risk of damage due to corrosion. Always turn appliance on when cooking to avoid condensation buildup. Condensation can lead to corrosion damages.
- Risk of damage due to ingress of humidity into the electronic circuitry. Never clean operator controls with a wet cloth.
- Surface damage due to incorrect cleaning. Clean stainless steel surfaces in the grind direction only. Do not use any stainless steel cleaners for operator controls.
- Surface damage due to strong or abrasive cleaning agents. Never use strong and abrasive cleaning agents.
- Risk of damage from condensation back flow. Install exhaust vent at a slight downward slope away from the appliance (1° slope).

---

## Protecting the environment

---

Your new appliance is energy-efficient. Here you can find tips on how to save even more energy when using the appliance, and how to dispose of your appliance properly.

Unpack the appliance and dispose of the packaging in an environmentally friendly manner.

### **Saving energy**

- Switch off the extractor hood if you no longer require it.
- Switch off the light if you no longer require it.
- Clean and (if required) replace the filter at regular intervals in order to increase the effectiveness of the ventilation system and to prevent the risk of fire.
- Put the lid on to reduce cooking steam and condensation.
- Only use the additional functions if required.
- Switching off additional functions reduces power consumption.



---

## Operating modes

---

You can use this appliance in the air extraction or the recirculation mode.

### Exhaust air mode



The air that is drawn in is cleaned by the grease filters and conveyed to the exterior by a pipe system.

**Note:** Ventilation may not exit through an already operational smoke or exhaust chimney, nor a duct used for ventilating furnace installation areas.

- If the ventilation is intended to pass through a smoke or exhaust chimney that is not in operation, the responsible area heating inspector must give approval.
- If the ventilation passes through an external wall, use a telescope wall sleeve.

### Recirculation



The aspirated air is cleaned by the grease filters and an activated charcoal filter and is returned to the kitchen.

**Note:** You must install an activated charcoal filter to bind odors in the recirculation mode. Refer to the manual or ask your specialist dealer for details of the various options for operating the appliance in the recirculation mode. You can obtain the necessary accessories from specialist dealers, from our after-sales service or in the online shop.

When used in recirculation mode, to reduce the Risk of Fire and Shock use only conversion kit Model AA210110 / AA211812. Please refer to the section "Accessories" in this manual.

---

## Operating the appliance

---

**Note:** Turn the extractor hood on when you start cooking and switch it off again a few minutes after you have finished cooking. This is the most effective way to eliminate cooking vapor.

### Operating the appliance

#### Control panel



---

#### Explanation

---

ⓘ	Fan On/off
1	Fan speed 1
2	Fan speed 2
3	Fan speed 3
>>	Intensive setting
🕒	Run-on function
⦿	Saturation display
💡	Light on/off

---

### Turn on the fan

#### Switching on

Press down lightly in the middle of the handle strip to extend the filter pull-out.



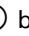
- 1 Press the ⓘ button to switch on the appliance. The fan starts in setting 2.
- 2 With the buttons 1, 2, 3 or >>, set the fan speed according to the cooking situation.

#### Switching off

Use the ⓘ button to switch the appliance off.


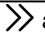

## Intense level

For especially strong odor or vapor, use the intense level.

- 1 Press the  button to switch on the appliance. The fan starts in setting 2.
- 2 Press the  button to switch on the Intensive setting.  
**Note:** If the button was pressed while the fan is running on speed 1, 2 or 3, the electronics automatically switch back to the previously-selected fan speed after 5 minutes.
- 3 To switch off the Intensive setting earlier, press the  button or the button for another fan speed.

### Setting the duration

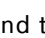


You can set the duration after which the Intensive setting switches off automatically.

Duration	Press buttons simultaneously
3 minutes	 and 1
5 minutes	 and 2
10 minutes	 and 3

The factory setting is set to 5 minutes.



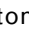

## Run-on function

The run-on function can be set for any fan speed.

- 1 First press the button for the desired fan speed 1, 2, 3 or  and then press the  button.  
**Notes**
  - The run-on time is ten minutes for all fan speed settings. Once this time has elapsed, ventilation switches off automatically.
  - If the lighting is switched on, it remains on.
- 2 To switch off the run-on function earlier, press the  button.


## Interval ventilation

For interval ventilation, the device is switched on automatically for five minutes per hour.


- 1 Press the  button to switch on the appliance. The fan starts at level 2. The interval ventilation can be used on level 1, 2 or 3.
- 2 Press the run-on button  twice.  
**Note:** This mode is indicated by alternating lighting up of the  button with the corresponding speed.
- 3 To end interval ventilation, press the  button.

## Lighting


The lighting can be switched on and off independently of the ventilation.


Press the  button.

### Setting the brightness

Press and hold the  button until the desired brightness is reached.

## Saturation notification

After 30 hours of operation, the saturation display  of the grease filter blinks.

- At the latest now the metal mesh grease filter should be cleaned. For instructions on how to clean the metal mesh grease filter, please see the chapter about **Cleaning and maintenance**.
- While the saturation display is blinking, it can be reset with the  button.

---

## Cleaning and maintenance

---

---

### WARNING

#### Risk of burns

The appliance will become hot when in use, especially in the area surrounding the bulbs. Let cool before cleaning.

---

---

### WARNING

#### Risk of electric shock

Penetrating damp can cause electric shock. Only clean appliance with a damp cloth. Prior to cleaning, pull the plug or flip the breaker in the fusebox.

---

---

### WARNING

#### Risk of electrical shock

Moisture entering the appliance can cause an electrical shock. Don't use a high-pressure cleaner or steam cleaner.

---

---

### WARNING

#### Risk of injury

Components inside the appliance may have sharp edges. Wear protective gloves.

---

## Cleaning agents

To ensure that the different surfaces are not damaged by using the wrong cleaning agent, follow the information in the table. Do not use:

- Harsh or abrasive cleaning agents,
- Cleaning agents with a high alcohol content,
- Hard scouring pads or cleaning sponges,
- High-pressure cleaners or steam cleaners.

Wash new sponge cloths thoroughly before use.

Follow all instructions and warnings included with the cleaning agents.

---

Area	Cleaning agent
Stainless steel	Hot soapy water: Clean with a dishcloth and then dry with a soft cloth.  Clean stainless steel surfaces in the grind direction only.  Special stainless steel cleaning products are available from customer service or from specialist retailers. Apply a very thin layer of the cleaning product with a soft cloth.
Painted surfaces	Hot soapy water: Clean using a damp dishcloth and dry with a soft cloth/towel.  Do not use any stainless steel cleaners.
Aluminum and plastic	Glass cleaner: Clean with a soft cloth.
Glass	Glass cleaner: Clean with a soft cloth. Do not use a glass scraper.
Operating controls	Hot soapy water: Clean using a damp dishcloth and dry with a soft cloth/towel.  Risk of electric shock from penetrating moisture.  Risk of damage to the electronics from penetrating moisture. Never clean operating controls with a wet cloth.  Do not use any stainless steel cleaners.

---

## Cleaning the metal grease filter

These instructions apply to several appliance models. It is possible that individual features are described that do not apply to your appliance.

---

### WARNING

#### Risk of fire

Grease deposits in the grease filter can ignite. **Clean the grease filter at least every two months.**  
Never operate the appliance without the grease filter.

---

### Notes

- Do not use any aggressive, acidic or alkaline cleaning agents.
- When cleaning the metal grease filters, also clean the metal grease filter holder in the appliance with a moist cloth.
- You can clean the metal grease filters in a dishwasher or by hand.

### By hand:

**Note:** You can use a special grease solvent if soiling is stubborn. You can order it via the online shop.

- Soak the metal grease filters in hot soapy solution.
- Use a brush for cleaning and then rinse the filters well.
- Allow the metal grease filters to drip dry.

### In the dishwasher:

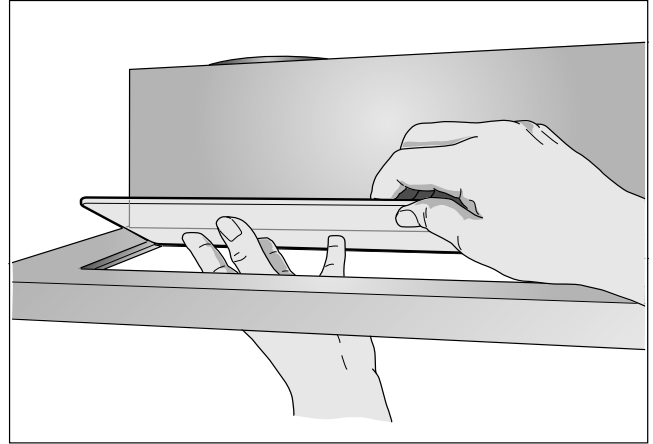
**Note:** Slight discoloration is possible when cleaning the grease filters in the dishwasher. This does not affect the metal grease filter's functioning.

- Do not clean extremely dirty metal grease filters with dishes.
- Loosely position the metal grease filter in the dishwasher. The metal grease filters must not be jammed in.

### 3 Clean the metal grease filter.

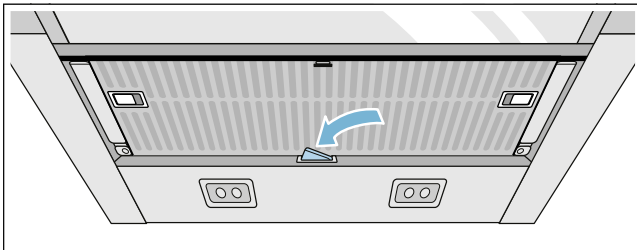
For appliances with a glass plate in the filter pull-out:

- The glass plate can be removed easily and can be cleaned in the dishwasher.
- To remove the glass plate, carefully lift it out.

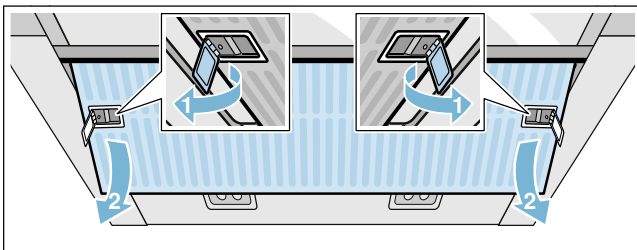


## Uninstalling metal grease filter

- 1 Pull out the filter pull-out and push in the push-to-open mechanism.



- 2 Open the lock on the metal grease filter and pull the metal grease filter out of the retainer at an angle. When you do this, take hold of the metal grease filter from underneath with your other hand.



### Notes

- Fat may accumulate in the bottom of the metal grease filter.
- Hold the metal grease filter level to prevent fat from dripping out.

## Installing metal grease filter

- 1 Insert the metal grease filter at an angle. When you do this, take hold of the metal grease filter from underneath with your other hand.
- 2 Lift the metal grease filter up and lock it in place.
- 3 Push and open the push-to-open mechanism again.

**Note:** The push-to-open mechanism must be pressed in order to guarantee that the drawer is working correctly.

---

## Troubleshooting

---

You can often easily eliminate problems that may occur on your own. Before calling customer service, take into account the following information.

---

### WARNING

---

#### **Risk of electric shock**

Improper repairs are dangerous. Only an authorized servicer may perform repairs and may replace damaged plug and connections. Remove the power plug or turn off the circuit breaker or fuse in the fuse box if the appliance is damaged or not working. Call Customer Service.

---

## Troubleshooting table

Disruption	Possible cause	Solution
Appliance is not working	Plug is not plugged in	Connect the appliance to the mains
	Power outage	Check whether other kitchen appliances are working
	Fuse defective	Check in the fuse box whether the fuse for the appliance is in working order

---

## LED lights

Defective LED lights may be replaced by the manufacturer, his customer service or a qualified technician (electrician) only.

---

### WARNING

---

#### **Risk of injury**

The light emitted by LED lights is very dazzling, and can damage the eyes (risk group 1). Do not look directly into the switched on LED lights for longer than 100 seconds.

---

---

## Customer service

---

Our Customer Service department is there for you if your appliance requires repair.

When calling, please give the Product Number (P-No.) and the Serial Number (S-No.) to help facilitate your repair. The data plate listing the numbers can be found inside of the appliance (remove metal grease filter to find it).

So that you don't have to search for these numbers when you need them, you can enter your appliance information and the Customer Service number here.

---

**P-No.**

**S-No.**

---

---

### Customer service

---

Please read the use and care instructions provided with your appliance. Failure to do so may result in an error in using the appliance resulting in unnecessary service calls, which may not be covered by the warranty.

Please find the contact data of all countries in the enclosed customer service list.

#### **To book a service visit and product advice**

**USA** 877 442 4436  
toll-free

**CANADA** 877 442 4436  
toll-free

## Accessories

(not included in the delivery)

**Note:** These instructions apply to several appliance models. It may be the case that an optional accessory that is listed does not apply to your appliance.

**Note:** Observe the installation instructions in the accessory.

---

### Basic equipment

CleanAir air recirculation module AA211812

Spin-on filter for CleanAir air recirculation module AA210110

---

### Lowering frame:

Appliance width: 24" (60 cm) AA210460

---

### Lowering frame:

Appliance width: 36" (90 cm) AA210490

---

### Installation kit:

Top cabinet: 36" (90 cm) AA210491

---

# **IMPORTANT SAFETY INSTRUCTIONS**

## READ AND SAVE THESE INSTRUCTIONS

INSTALLER: LEAVE THESE INSTRUCTIONS WITH THE APPLIANCE AFTER INSTALLATION IS COMPLETE.

IMPORTANT: SAVE THESE INSTRUCTIONS FOR THE LOCAL ELECTRICAL INSPECTOR'S USE.

---

### **WARNING**

If the information in this manual is not followed exactly, fire or shock may result causing property damage or personal injury.

---

---

### **WARNING**

Do not repair, replace or remove any part of the appliance unless specifically recommended in the manuals. Improper installation, service or maintenance can cause injury or property damage. Refer to this manual for guidance. All other servicing should be done by an authorized servicer.

---

---

### **WARNING**

**WARNING – TO REDUCE THE RISK OF FIRE, ELECTRIC SHOCK, OR INJURY TO PERSONS, OBSERVE THE FOLLOWING:**

- Installation work and electrical wiring must be done by qualified person(s) in accordance with all applicable codes and standards, including fire-rated construction.
  - Sufficient air is needed for proper combustion and exhausting of gases through the flue (chimney) of fuel burning equipment to prevent back drafting. Follow the heating equipment manufacturer's guideline and safety standards such as those published by the National Fire Protection Association (NFPA), and the American Society for Heating, Refrigeration and Air Conditioning Engineers (ASHRAE), and the local code authorities.
  - When cutting or drilling into wall or ceiling, do not damage electrical wiring and other hidden utilities.
  - Ducted fans must always be vented to the outdoors.
- 

---

### **WARNING**

The applicable regulations of the energy supply companies and the regional construction regulations must be observed when installing the hood.

---

---

### **WARNING**

#### **Risk of fire**

Grease deposits in the grease filter can catch fire. Never work with a naked flame near the appliance (e.g. flambéing). Install the unit near a heat-producing appliance for solid fuels (e.g. wood or coal) only if there is a closed, non-detachable cover. There must be no flying sparks.

---

---

### **WARNING**

#### **Risk of fire**

Operating several gas burners at the same time gives rise to a great deal of heat. The ventilation appliance may become damaged or catch fire. The ventilation appliance must only be combined with gas burners that do not exceed the maximum total output of 61,000 BTU/hr (18 kW). If 41,000 BTU/hr (12 kW) is exceeded, the local regulations concerning room ventilation, room size, and combination with ventilation devices in exhaust and recirculating operation must be followed.

---

---

### **WARNING**

To reduce risk of fire and to properly exhaust air, be sure to duct air outside. Do not vent exhaust air into spaces within walls, ceilings, attics, crawl spaces or garages.

---

---

### **WARNING**

To reduce the risk of fire, use only metal ductwork.

---



# IMPORTANT SAFETY INSTRUCTIONS

READ AND SAVE THESE INSTRUCTIONS

---

## WARNING

When the hood is operated in exhaust-air mode simultaneously with a different burner which also makes use of the same chimney (such as gas, oil or coal-fired heaters, continuous-flow heaters, hot-water boilers) care must be taken to ensure that there is an adequate supply of fresh air which will be needed by the burner for combustion.

Safe operation is possible provided that the under pressure in the room where the burner is installed does not exceed 4 Pa (0.04 mbar).

This can be achieved if combustion air can flow through non-lockable openings, e.g. in doors, windows and via the air-intake/exhaust-air wall box or by other technical measures, such as reciprocal interlocking, etc.

---

---

## WARNING

Avoid carbon monoxide poisoning – Provide adequate air intake so combustion gases are not drawn back into the room.

An air-intake/exhaust-air wall box by itself is no guarantee that the limiting value will not be exceeded.

**Note:** When assessing the overall requirement, the combined ventilation system for the entire household must be taken into consideration. This rule does not apply to the use of cooking appliances, such as cooktops and ovens.

---

---

## CAUTION

For general ventilating use only. Do not use to exhaust hazardous or explosive materials and vapors.

---

Risk of damage from condensation back flow. Install exhaust vent at a slight downward slope away from the appliance (1° slope).

## Appliance Handling Safety

Unit is heavy and requires at least two people or proper equipment to move.

Hidden surfaces may have sharp edges. Use caution when reaching behind or under appliance.

---

## WARNING

### Risk of injury

The appliance may fall from the wall if it is not attached properly. All fastening components must be fixed firmly and securely in place.

---

## Safety Codes and Standards

This appliance complies with the latest version of one or more of the following standards:

- UL 507 - Electric Fans
- CAN/CSA C22.2 No. 113 - Fans and Ventilators

It is the responsibility of the installer to determine if additional requirements and/or standards apply to specific installations.

## Electric Safety

---

## WARNING

### GROUNDING INSTRUCTIONS

This appliance must be grounded. In the event of an electrical short circuit, grounding reduces the risk of electric shock by providing an escape wire for the electric current.

This appliance is equipped with a cord having a grounding wire with a grounding plug. The plug must be plugged into an outlet that is properly installed and grounded.

---

---

## WARNING

Improper grounding can result in a risk of electric shock. Consult a qualified electrician if the grounding instructions are not completely understood, or if doubt exists as to whether the appliance is properly grounded. Do not use an extension cord. If the power supply cord is too short, have a qualified electrician install an outlet near the appliance.

---





# IMPORTANT SAFETY INSTRUCTIONS

READ AND SAVE THESE INSTRUCTIONS

---

**WARNING**

Before you plug in an electrical cord or turn on power supply, make sure all controls are in the OFF position.

For appliances equipped with a cord and plug, do not cut or remove the ground prong. It must be plugged into a matching grounding type receptacle to avoid electrical shock. If there is any doubt as to whether the wall receptacle is properly grounded, the customer should have it checked by a qualified electrician.

If required by the National Electrical Code (or Canadian Electrical Code), this appliance must be installed on a separate branch circuit.

---

**WARNING**

To reduce the risk of fire or electric shock, do not use this fan with any solid-state speed control device.

Installer – show the owner the location of the circuit breaker or fuse. Mark it for easy reference.

Before installing, turn power OFF at the service panel. Lock service panel to prevent power from being turned ON accidentally.

---

**WARNING**

TO REDUCE THE RISK OF FIRE, ELECTRIC SHOCK, OR INJURY TO PERSONS, OBSERVE THE FOLLOWING:

- Use this unit only in the manner intended by the manufacturer. If you have questions, contact the manufacturer.
- Before servicing or cleaning unit, switch power off at service panel and lock the service disconnecting means to prevent power from being switched on accidentally.  
When the service disconnecting means cannot be locked, securely fasten a prominent warning device, such as a tag, to the service panel.

Be sure your appliance is properly installed and grounded by a qualified technician. Installation, electrical connections and grounding must comply with all applicable codes.

---

**WARNING****Risk of electric shock**

Parts inside the appliance can have sharp edges. The connection cable can be damaged. Do not bend or pinch connection cables during installation.

## Related Equipment Safety

Remove all tape and packaging before using the appliance. Destroy the packaging after unpacking the appliance. Never allow children to play with packaging material.

The appliance should only be used if installed by a qualified technician in accordance with these installation instructions. The manufacturer is not responsible for any damage resulting from incorrect installation.

Never modify or alter the construction of the appliance. For example, do not remove leveling legs, panels, wire covers or anti-tip brackets/screws.

## Proposition 65 Warning:

This product may contain a chemical known to the State of California, which can cause cancer or reproductive harm. Therefore, the packaging of your product may bear the following label as required by California:

**STATE OF CALIFORNIA PROPOSITION 65 WARNING:**

**WARNING**  
Cancer and Reproductive Harm - [www.P65Warnings.ca.gov](http://www.P65Warnings.ca.gov)

## Before you begin

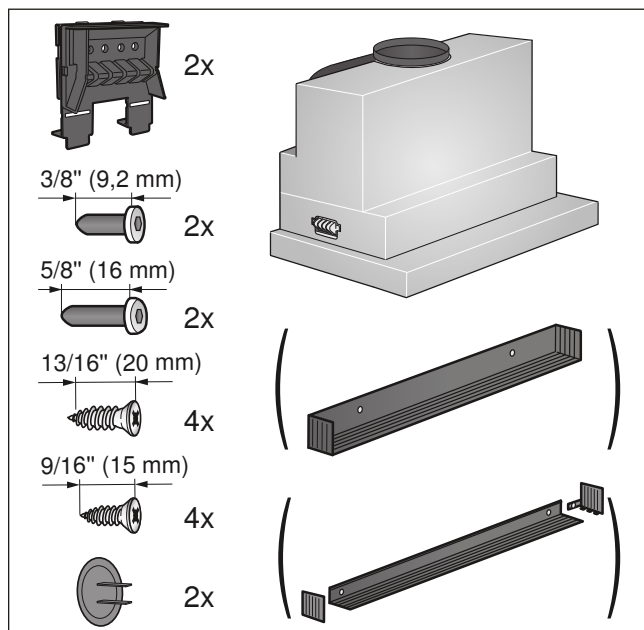
These instructions apply to several appliance models. It is possible that individual features are described that do not apply to your appliance.

## Tools and parts needed

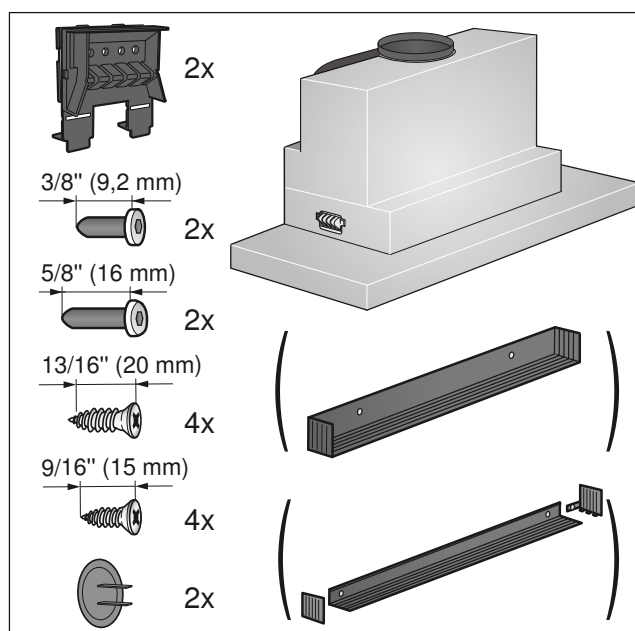
- Measuring tape
- Pencil
- Torx screwdriver TX20
- Drill with the following bits: 5/16" (8 mm)
- Spirit-level
- Aluminum tape (DO NOT use insulating tape)
- Exhaust channel (configuration depends on the installation situation)
- Additional sheet metal screws (if necessary for installation of the exhaust air duct)

## Parts included

Appliance width 24" (60 cm):



Appliance width 36" (90 cm):



## Safety clearances

### ⚠ WARNING

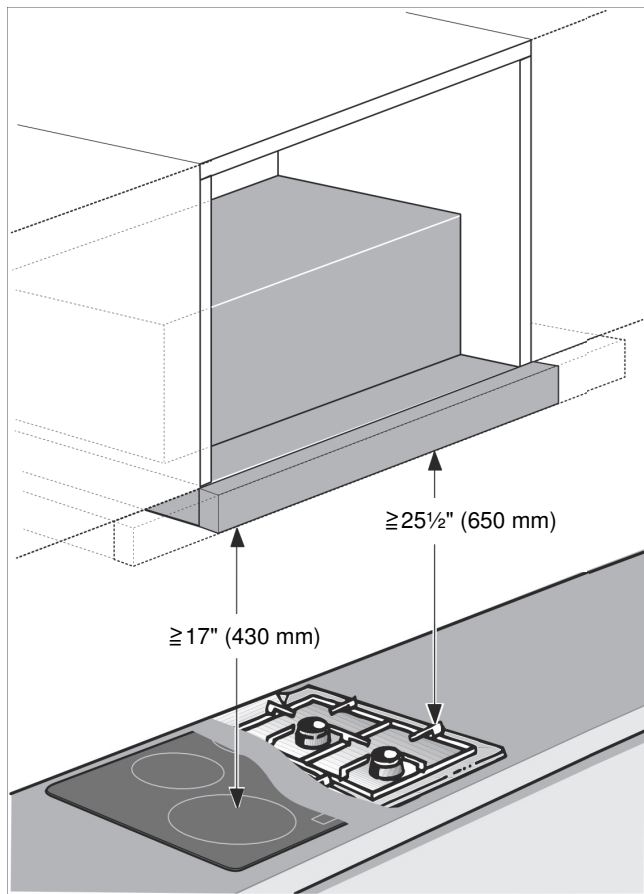
#### Risk of fire

Grease deposits in the grease filter may catch fire. The specified safety distances must be observed in order to prevent an accumulation of heat. Observe the specifications for your cooking appliance. If gas and electric cooktops are operated together, the largest specified distance applies.

Only one side of the appliance may be installed directly next to a high-sided unit or a wall. The distance between the appliance and wall or high-sided unit must be at least 2" (50 mm).

The minimum distance between the supporting surface for the cooking equipment on the hob and the lowest part of the range hood must be not less than 17" (430 mm) from electric cookers and 25½" (650 mm) from gas or mixed cookers.

If the instructions for installation for the gas hob specify a greater distance, this must be adhered to.



---

## General Notes

---

- This appliance is installed in a top cabinet.
- Follow the enclosed installation instructions for additional special accessories (e.g. for circulating-air mode).
- The surfaces of the appliance are sensitive. Avoid damaging them during installation.

## Exhaust air mode

---

### **⚠ WARNING**

---

#### **Risk of death**

Risk of poisoning from flue gases that are drawn back in. The exhaust air must not be conveyed into a functioning smoke or exhaust gas flue or into a shaft that is used to ventilate installation rooms that contain heating appliances. If the exhaust air is to be conveyed into a non-functioning smoke or exhaust gas flue, you must obtain the consent of the heating engineer responsible.

---

If the exhaust air is conveyed through the outer wall, a telescopic wall box should be used.

## Ventilation line

**Note:** The appliance manufacturer does not assume any warranty for complaints attributable to the pipe section.

- The appliance achieves its optimum performance by means of a short, straight exhaust air pipe and as large a pipe diameter as possible.
- As a result of long rough exhaust air pipes, many pipe bends or pipe diameters that are smaller than 6" (150 mm), the optimum extraction performance is not achieved and fan noise is increased.
- The pipes or hoses for laying the exhaust air line must consist of non-combustible material.

#### **Round pipes**

An inner diameter of 6" (150 mm), but at least 4 3/4" (120 mm), is recommended.

### Flat ducts

The inner cross-section must correspond to the diameter of the round pipes.

dia. 6" (150 mm) approx. 27<sup>1</sup>/<sub>2</sub> sq in (177 cm<sup>2</sup>)

dia. 4 <sup>3</sup>/<sub>4</sub>" (120 mm) approx. 26<sup>3</sup>/<sub>4</sub> sq in (113 cm<sup>2</sup>)

- Flat ducts should have no sharp deflections.
- Use sealing strip for deviating pipe diameters.

---

## Preparing the units

---

- The fitted unit must be level and have sufficient load-bearing capacity.
- The max. weight of the extractor hood is 40 lbs (18 kg).

### Appliance dimensions and safety clearances

- Observe the appliance's dimensions.
- Comply with the safety clearances.

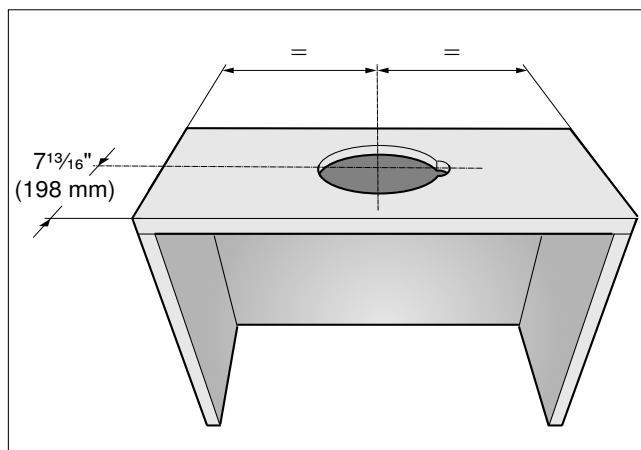
If the installation instructions for the gas cooking appliances specify a different distance, the largest distance must always be provided for.

Fitted units must be heat-resistant up to 194° F (90 °C). The stability of the fitted unit must also be guaranteed after the cut-out work.

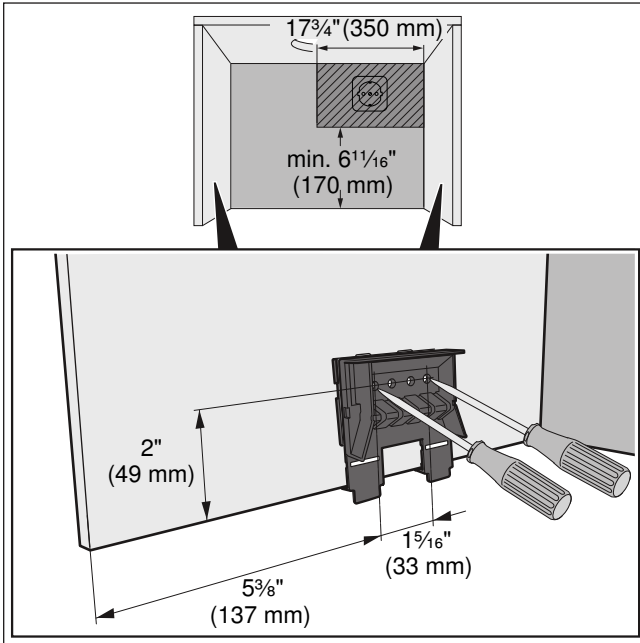
To install the extractor hood in a top cupboard, the extractor hood must be provided with the following dimensions:

Width	24" (600 mm)
Depth	min. 12 <sup>5</sup> / <sub>8</sub> " (320 mm)
Depth	min. 13 <sup>3</sup> / <sub>4</sub> " (350 mm) with lowering frame
Elevation	min. 16 <sup>9</sup> / <sub>16</sub> " (420 mm)
Elevation	min. 24" (600 mm) with CleanAir air recirculation module

- 1 Make cut-out for the exhaust air pipe. To do this, make an opening in the top or back panel of the fitted unit with an additional recess for the power cord.

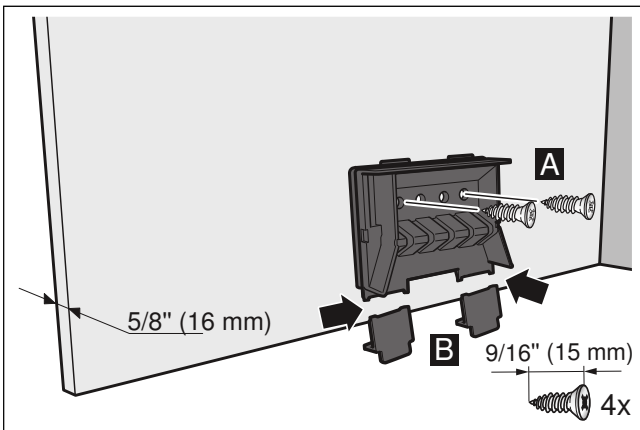


- 2 Remove cabinet base, if installed. Mark the fastening points on the inside of the cabinet and use a bradawl to make indentations where the holes are to be. To help you mark the fastening points, use the mounting piece provided.



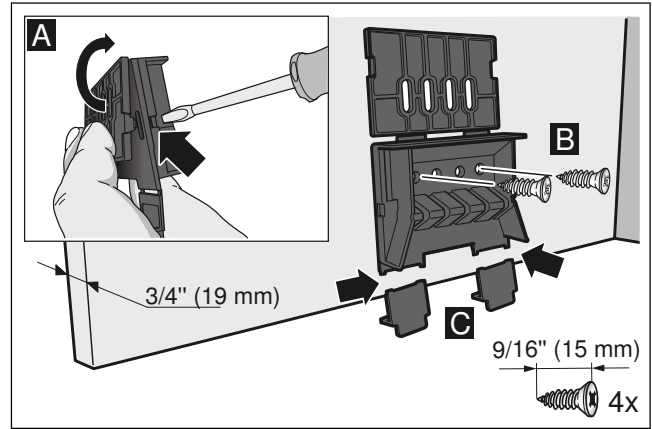
**Body wall thickness: 5/8" (16 mm)**

- 1 Screw the mounting pieces to the body on the left and right. **A**
- 2 Remove the tabs from the bottom of the mounting pieces. **B**



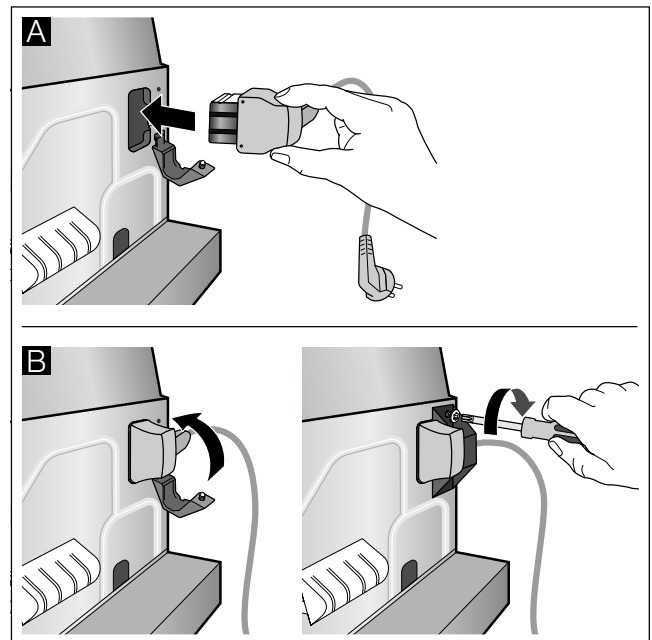
**Body wall thickness: 3/4" (19 mm)**

- 1 Fold out the tabs on both of the mounting pieces. **A**
- 2 Screw the mounting pieces to the body on the left and right. **B**
- 3 Remove the tabs from the bottom of the mounting pieces. **C**



**Preparing the appliance**

- 1 Connect the enclosed power cord to the appliance. **A**
- 2 Use the strain relief to secure the power cord in place. **B**



---

## Electrical connection

---

---

### WARNING

---

#### **Risk of electric shock**

Parts inside the appliance can have sharp edges. The connection cable can be damaged. Do not bend or pinch connection cables during installation.

---

The necessary connection information is located on the identification plate in the appliance interior, remove metal grease filter to access it.

**Length of the connecting cable: Approx. 4 $\frac{1}{4}$  ft (1.30 m)**

This appliance meets EC radio interference suppression requirements.

---

### WARNING

---

#### **Risk of electric shock**

It must always be possible to disconnect the appliance from the power supply. The appliance must only be connected to a protective contact socket that has been correctly installed.

The plug of the electric power cable must be easily accessible after installation of the appliance. If this is not possible, an all-pole isolating switch must be integrated into the permanent electrical installation according to the conditions of overvoltage category III and according to the installation regulations.

The permanent electrical installation must only be wired by a professional electrician. We recommend installing a residual-current circuit breaker (RCCB) in the appliance's power supply circuit.

---

The branch-circuit breakers ampacity, the wire sizes and the connections must conform to the requirements of the National Electrical Code or Canadian Electrical Code and all local codes and ordinances.

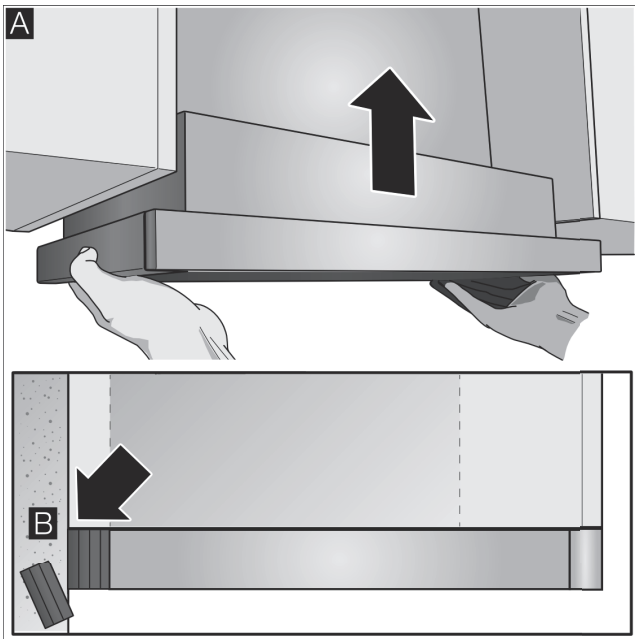
### **This appliance is connected with a plug**

- Plug has to be conform with NEMA CONFIGURATIONS FOR PLUGS AND RECEPTACLES.
- The appliance must be properly grounded.
- Plug must be rated not less than type 6-20 P (2-pole 3-wire grounding).
- Only a qualified electrician should connect the plug.
- Install a socket outlet earthed in accordance with regulations approx. 27" (700 mm) above the floor behind the appliance. The socket outlet must still be accessible after installation.

## Installation

### Mounting the appliance

- 1 Mount the appliance and align. **A**
- 2 Measure the distance from the appliance to the wall and mark this on the filler strip. **B**
- 3 If required, shorten the filler strip to the required dimension. **B**

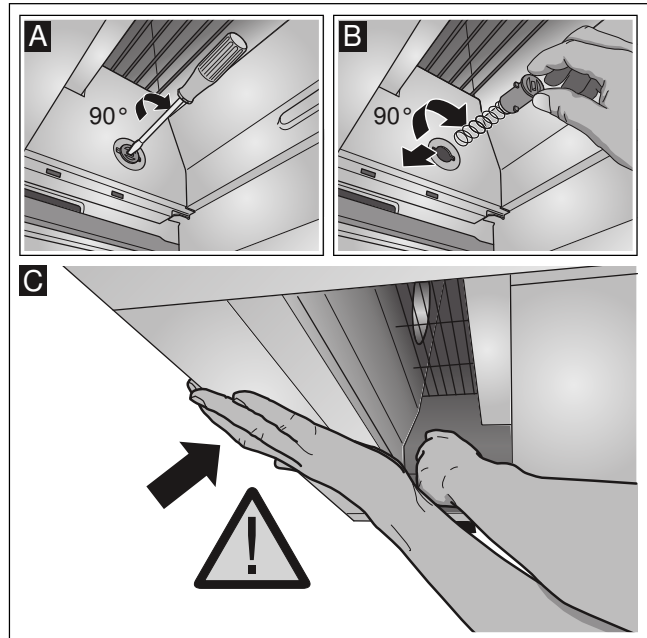


### Detaching the appliance

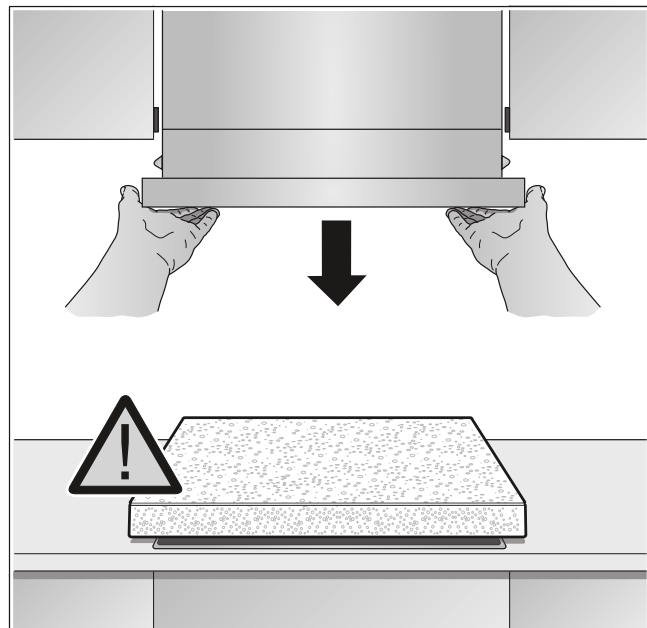
**Note:** Before removing the appliance, protect the cook-top with a piece of polystyrene from the packaging.

- 1 Use a flat head screwdriver to push in the fastening bolt, and turn it 90° until it locks into place. **A**
- 2 Push in the fastening bolt gently with your fingers, and turn it until it comes out of the housing along with the spring. **B**

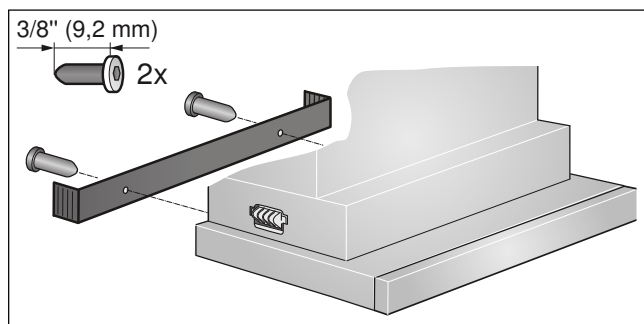
Grip the bottom of the appliance with one hand while gently pulling on the fastening bolt with the other. **C**



- 3 Carefully remove the appliance.



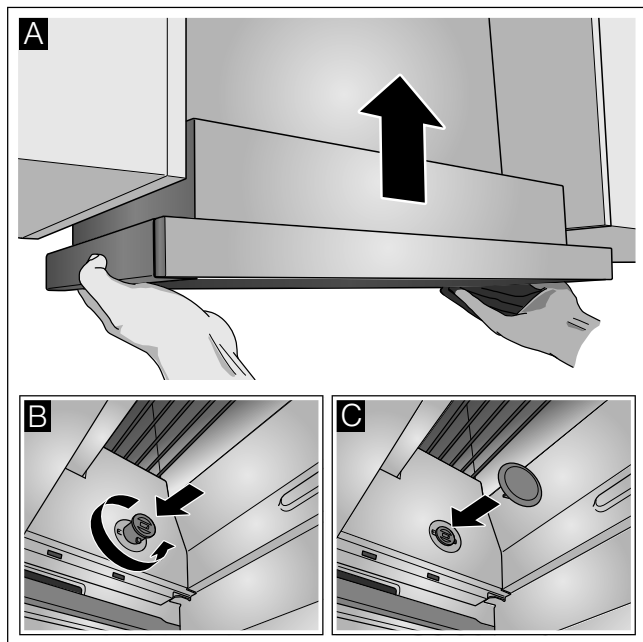
- 4 Fasten the filler strip in place.



- 5 Push in the fastening bolt and turn it 90°.  
**Note:** The mounting pieces on the left and right of the appliance must be able to move.

## Final assembly

- 1 Mount the appliance. **A**
- 2 Tighten the left and right fastening bolts. **B**
- 3 Fit the protective caps on the left and right. **C**



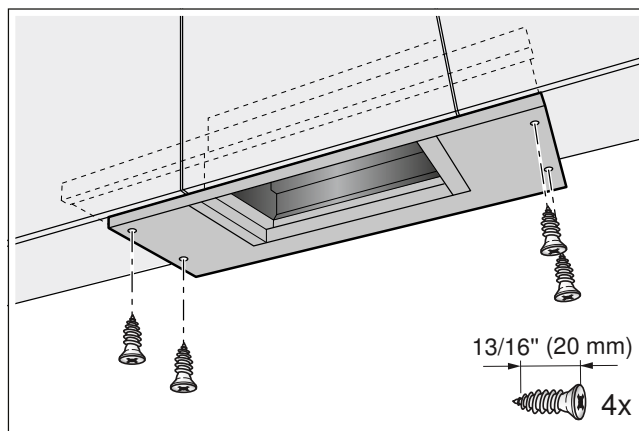
- 4 Establish the electrical connection.

**Note:** The extractor hood housing can be concealed within the top cabinet. In doing so, you must observe the following:

- The false floor must not be placed on the extractor hood housing.
- The front panel must not be secured to the housing.
- Access must be available in order to change the filter and for customer service.

## Appliance width, 36" (90 cm):

You must also screw the appliance onto the side top cabinets.



## Connecting the pipes

**Note:** If an aluminum pipe is used, smooth the connection area beforehand.

### Exhaust air pipe, 6" (150 mm) diameter (recommended size)

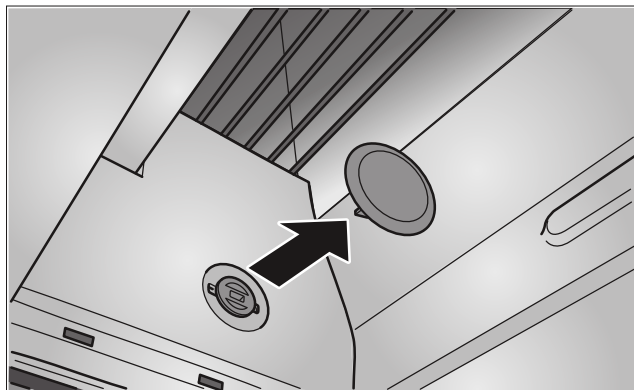
Attach exhaust air pipe directly to the air-pipe connector and seal.

### Exhaust air pipe dia. 4¾" (120 mm)

- 1 Attach reducing connector directly to the air-pipe connector.
- 2 Attach exhaust air pipe to the reducing connector.
- 3 Seal both joints appropriately.

## Removing the appliance

- 1 Disconnect the electrical connection.
- 2 Disconnect the pipes.
- 3 Remove the metal grease filter.
- 4 Remove the protective caps from the fastening elements.



- 5 Remove the appliance see section entitled "Removing the appliance".



---

## Table des matières

---

---

### Notice d'utilisation 26

---

- ▲ Définitions de sécurité 26
- CONSIGNES DE SÉCURITÉ IMPORTANTES 27
  - Instructions générales 27
  - Sécurité-incendie 27
  - Prévention des brûlures 28
  - Sécurité des enfants 28
  - Consignes en matière de nettoyage 29
  - Sécurité à l'utilisation 29
  - Installation et entretien corrects 29
  - Avertissement issu de la proposition 65 : 30
- Causes des dommages 31
- Protection de l'environnement 31
  - Économies d'énergie 31
- Modes de fonctionnement 32
  - Mode évacuation 32
  - Mode recyclage 32
- Utilisation de l'appareil 32
  - Utilisation de l'appareil 32
  - Régler le ventilateur 32
  - Vitesse intensive 33
  - Fonction temporisation 33
  - Ventilation intermittente 33
  - Éclairage 33
  - Indicateur de saturation 33
- Nettoyage et entretien 34
- Anomalies, que faire ? 36
- Service après-vente 37
  - Accessoire 37

---

### Instructions d'installation 37

---

- CONSIGNES DE SÉCURITÉ IMPORTANTES 38
  - Sécurité de manutention des appareils 39
  - Codes et normes de sécurité 40
  - Sécurité électrique 40
  - Équipement de sécurité 41
  - Avertissement issu de la proposition 65 : 41
- Avant de commencer 42
  - Outils et pièces nécessaires 42
  - Pièces comprises 42
  - Distances de sécurité 42
- Instructions Générales 43
  - Mode évacuation 43
  - Conduit d'évacuation 43
- Préparation du meuble 44
  - Préparation de l'appareil 45
- Branchement électrique 46
- Installation 47
  - Accrochage de l'appareil 47
  - Décrochage de l'appareil 47
  - Montage final 48
  - Dépose de l'appareil 49

Vous trouverez des informations supplémentaires concernant les produits, accessoires, pièces de rechange et services sur Internet sous : [www.gaggenau.com](http://www.gaggenau.com) et la boutique en ligne : [www.gaggenau.com/zz/store](http://www.gaggenau.com/zz/store)

---

## Définitions de sécurité

---

---

### AVERTISSEMENT

---

Ceci indique que le non-respect de cet avertissement peut entraîner des blessures graves, voire la mort.

---

---

### ATTENTION

---

Ceci indique que le non-respect de cet avertissement peut entraîner des blessures légères ou de gravité moyenne.

---

**AVIS :** Ceci indique que la non-conformité à cet avis de sécurité peut entraîner des dégâts matériels ou endommager l'appareil.

**Remarque :** Ceci vous signale des informations et/ou indications importantes.



# CONSIGNES DE SÉCURITÉ IMPORTANTES

LIRE ET CONSERVER CES INSTRUCTIONS

---

## AVERTISSEMENT

---

Votre nouvel appareil a été conçu pour un fonctionnement sûr et fiable si vous en prenez bien soin. Lire attentivement toutes les consignes avant l'emploi. Ces précautions réduiront les risques de brûlures, de choc électrique, d'incendie et de lésions corporelles. Lors de l'utilisation d'un appareil électroménager, quelques précautions de sécurité élémentaires doivent être observées, y compris celles qui figurent aux pages suivantes.

---

## Instructions générales

Contrôler l'appareil après l'avoir déballé. Si l'appareil a été endommagé durant le transport, ne pas le brancher.

## Sécurité-incendie

Toujours avoir un détecteur de fumée en état de marche près de la cuisine.

---

## AVERTISSEMENT

---

POUR RÉDUIRE LE RISQUE D'INCENDIE DE GRAISSE DE CUISINIÈRE:

- a) Ne laissez jamais la surface de cuisson sans surveillance à des températures élevées. Les débordements causent de la fumée et les résidus gras peuvent s'enflammer. Faites chauffer les huiles lentement à feu doux ou moyen.
- b) Faites toujours fonctionner la hotte lorsque vous cuisinez à feu vif.
- c) Nettoyez les ventilateurs régulièrement. Ne laissez pas la graisse s'accumuler sur le ventilateur ou sur le filtre.
- d) Utilisez des casseroles de taille appropriée. Utilisez toujours des récipients adaptés à la taille de la surface de cuisson.

Ne flambez jamais sous la hotte aspirante et ne travaillez jamais avec une flamme nue. Une hotte aspirante en marche aspire les flammes dans le filtre. Une hotte aspirante en marche aspire les flammes dans le filtre. Ne flambez jamais sous la hotte aspirante et ne travaillez jamais avec une flamme nue. Une hotte aspirante en marche aspire les flammes dans le filtre. Les dépôts de graisse sur les filtres risquent alors de s'enflammer!

---

---

## ATTENTION

---

Appareil conçu exclusivement pour la ventilation générale. Ne pas utiliser pour évacuer des matières et vapeurs dangereuses ou explosives.

---

Ne pas mettre l'aérateur en marche si le cordon ou le connecteur d'alimentation sont endommagés. Mettre l'aérateur au rebut ou bien l'envoyer à un service après-vente agréé pour le contrôler et (ou) le réparer.

Ne pas faire passer le cordon d'alimentation sous un tapis. Ne pas recouvrir le cordon d'alimentation de petits tapis ou autres revêtements de sol de ce type. Ne pas faire passer le cordon d'alimentation sous des meubles ou des appareils. Poser le cordon d'alimentation hors des zones de passage et des endroits où il pourrait être heurté par des personnes.

Si des vêtements s'enflamment, rouler par terre immédiatement pour éteindre les flammes.

Étouffez les flammes d'un feu d'aliments autre qu'un feu de graisse à l'aide de bicarbonate de soude. Ne jamais utiliser d'eau sur les feux de cuisson.

---

## AVERTISSEMENT

---

POUR RÉDUIRE LE RISQUE DE LÉSIONS CORPORELLES EN CAS D'UN FEU DE FRITURE SUR UNE CUISINIÈRE, OBSERVER CE QUI SUIT :

- ÉTOUFFER LES FLAMMES à l'aide d'un couvercle bien hermétique, d'une tôle à biscuits ou d'un plateau en métal, puis éteindre le brûleur. FAIRE ATTENTION À NE PAS SE BRÛLER. Si les flammes ne s'éteignent pas immédiatement, ÉVACUER LES LIEUX ET FAIRE APPEL AU SERVICE D'INCENDIE.
  - NE JAMAIS SOULEVER UNE POÊLE EN FLAMMES – Vous pourriez vous brûler.
  - NE PAS UTILISER D'EAU, y compris les chiffons ou serviettes mouillées - une violente explosion de vapeur pourrait se produire.
  - Utiliser UNIQUEMENT un extincteur si :
    - Vous savez que vous avez un extincteur de classe ABC et comment l'utiliser.
    - Le feu est petit et circonscrit à la zone où il a débuté.
    - Le service d'incendie est appelé.
    - Si l'on peut combattre le feu en ayant le dos vers une sortie.
- 

Veillez à avoir à portée de main un extincteur d'incendie en bon état de marche, placé visiblement près de l'appareil et facile d'accès.



# CONSIGNES DE SÉCURITÉ IMPORTANTES

LIRE ET CONSERVER CES INSTRUCTIONS

Dans la mesure du possible, ne pas faire fonctionner le système de ventilation lorsqu'un feu se déclenche sur une table de cuisson. Toutefois, ne pas passer la main à travers le feu pour mettre le système de ventilation hors tension.

---

## AVERTISSEMENT

### Risque d'incendie

Les dépôts se trouvant dans le filtre à graisse peuvent s'enflammer.

**Nettoyer le filtre à graisse au moins tous les 2 mois.**

Ne jamais faire fonctionner l'appareil sans son filtre à graisse.

---

---

## AVERTISSEMENT

### Risque d'incendie

Les dépôts se trouvant dans le filtre à graisse peuvent s'enflammer. Ne jamais cuisiner à proximité de l'appareil avec une flamme ouverte (par exemple pour faire flamber). Installer l'appareil près d'un foyer pour combustibles solides (bois ou charbon par exemple) seulement s'il y a un couvercle fermé et non amovible. Il ne faut pas qu'il se produise de projection d'étincelles.

---

---

## AVERTISSEMENT

### Risque d'incendie

Les brûleurs gaz dégagent une forte chaleur lorsqu'aucun récipient n'est posé dessus. Ils peuvent alors endommager les appareils de ventilation. Utiliser les brûleurs gaz uniquement lorsqu'un récipient est placé dessus.

---

---

## AVERTISSEMENT

### Risque d'incendie

Lors du fonctionnement simultané de plusieurs foyers gaz il y a une forte production de chaleur. Un appareil de ventilation monté au-dessus peut être endommagé ou prendre feu. Ne faites jamais fonctionner en même temps deux foyers gaz à feu vif pendant plus de 15 minutes. Un brûleur grande puissance de plus de 17,000 Btu/hr (5 kW) (wok) chauffe autant que deux brûleurs gaz.

---

---

## AVERTISSEMENT

### Risque d'incendie

Le fonctionnement simultané de plusieurs feux gaz engendre une forte production de chaleur. Le cas échéant, l'appareil de ventilation peut être endommagé ou s'enflammer. L'appareil de ventilation doit uniquement être combiné avec des feux gaz dont la puissance totale maximale ne dépasse pas 61,000 BTU/hr (18 kW). Si la puissance maximale dépasse 41,000 BTU/hr (12 kW), les prescriptions locales en matière de ventilation, de volume de la pièce et de combinaison avec des appareils de ventilation en mode aspiration ou ventilation doivent être observées.

---

---

## AVERTISSEMENT

### Risque d'incendie

L'huile et la graisse très chaudes s'enflamment rapidement. Ne jamais laisser de l'huile et de la graisse chaudes sans surveillance. Ne jamais éteindre un incendie avec de l'eau. Éteindre le foyer. Étouffer les flammes avec précaution au moyen d'un couvercle, d'une couverture antifeu ou équivalent.

---

## Prévention des brûlures

---

## AVERTISSEMENT

### Risque de brûlure

Les parties accessibles chauffent lorsque la table est allumée. Ne touchez jamais aux parties très chaudes. Tenez les enfants à distance.

---

## Sécurité des enfants

Lorsque les enfants sont assez âgés pour utiliser l'appareil, il incombe aux parents ou tuteurs légaux de veiller à ce qu'ils soient formés aux pratiques sécuritaires par des personnes qualifiées.

Enlever le ruban adhésif et l'emballage avant d'utiliser l'appareil. Détruire l'emballage après avoir déballé l'appareil. Ne jamais laisser les enfants jouer avec les matériaux de conditionnement.



# CONSIGNES DE SÉCURITÉ IMPORTANTES

LIRE ET CONSERVER CES INSTRUCTIONS

Ne permettre à personne de grimper, rester debout, s'appuyer, s'asseoir ou se pencher sur toute partie d'un appareil, notamment une porte, un tiroir-réchaud ou un tiroir de rangement. Ceci peut endommager l'appareil qui risque de basculer et causer des blessures sérieuses.

Ne pas permettre aux enfants d'utiliser cet appareil sauf sous la surveillance attentive d'un adulte. Ne pas laisser les enfants et les animaux seuls ou sans surveillance lorsque l'appareil est en service. Ne jamais les laisser jouer aux alentours de l'appareil, que ce dernier soit en service ou non.

---

## ATTENTION

Les articles d'intérêt pour les enfants ne doivent pas être rangés dans un appareil électroménager, dans les armoires au-dessus de l'appareil ou sur le dossier. Les enfants peuvent grimper sur l'appareil pour atteindre ces objets et se blesser sérieusement.

---

## Consignes en matière de nettoyage

---

### AVERTISSEMENT

S'assurer que l'appareil a complètement refroidi (y compris les filtres à graisse et les ampoules, le cas échéant) et que la graisse s'est solidifiée avant de tenter de nettoyer une quelconque partie de l'appareil.

---

Ne pas utiliser de nettoyeur à vapeur pour nettoyer l'appareil.

## Sécurité à l'utilisation

---

### AVERTISSEMENT

Ne réparez, remplacez, ni ne retirez aucune partie de l'appareil, excepté si les manuels recommandent de le faire. Une installation, un entretien ou une inspection incorrects peuvent occasionner des blessures ou des dommages matériels. Reportez-vous au présent manuel pour obtenir des indications. Toute autre intervention doit être effectuée par un technicien agréé.

---

---

### AVERTISSEMENT

#### Risque de blessure

Des objets posés sur l'appareil risquent de tomber. Ne pas déposer d'objets sur l'appareil.

---

---

### AVERTISSEMENT

#### Risque de blessure

La lumière des lampes DEL est très éblouissante et peut causer des lésions aux yeux (groupe de risque 1). Ne pas regarder plus de 100 secondes directement les lampes DEL allumées.

---

## Installation et entretien corrects

Demandez à l'installateur de vous montrer où se trouve le disjoncteur ou le fusible. Identifier sa position pour pouvoir le retrouver facilement.

Cet appareil doit être adéquatement installé et mis à la terre par un technicien agréé. Branchez l'appareil uniquement dans une prise correctement reliée à la terre. Pour plus de détails, reportez-vous à la notice d'installation.

Cet appareil est destiné uniquement à une utilisation domestique normale. Il n'est pas homologué pour un usage en extérieur. Voyez la Énoncé de la Garantie Limitée. Si vous avez des questions, communiquez avec le fabricant.

Ne pas entreposer ni utiliser de produits chimiques corrosifs, vapeurs, substances inflammables ou produits non alimentaires à l'intérieur ou à proximité de l'appareil. Il a été spécialement conçu pour être utilisé pendant le chauffage et la cuisson des aliments. L'emploi de produits chimiques corrosifs pour chauffer ou nettoyer l'appareil endommagera ce dernier et peut provoquer des blessures.

Ne pas se servir de cet appareil s'il ne fonctionne pas correctement ou s'il est endommagé. Communiquer avec un réparateur autorisé.

Ne pas réparer ni remplacer toute pièce de l'appareil à moins que cela ne soit spécifiquement recommandé par ce manuel. Toute réparation doit être effectuée par un centre de réparation autorisé par l'usine.



# CONSIGNES DE SÉCURITÉ IMPORTANTES

LIRE ET CONSERVER CES INSTRUCTIONS

---

## ATTENTION

La graisse restant sur les filtres peut se fondre à nouveau et se déplacer à l'intérieur de l'évent.

---

Certaines surfaces peuvent avoir des bords tranchants. Faire attention en étendant le bras derrière l'appareil ou en dessous.

---

## AVERTISSEMENT

Lorsque la hotte aspirante est utilisée en mode d'évacuation d'air simultanément avec un brûleur différent utilisant également la même cheminée, (tels des appareils de chauffage au gaz, à l'huile ou au charbon, des chauffe-eau instantanés ou des chaudières à eau chaude), veillez à ce que l'apport d'air frais soit suffisant pour assurer la combustion adéquate du brûleur.

Un fonctionnement sans risque est possible si la sous-pression dans la pièce où le brûleur est installé ne dépasse pas 4 Pa (0,04 mbar).

On peut y parvenir en acheminant l'air requis pour la combustion à travers des ouvertures non verrouillables, par exemple dans les portes et fenêtres, et en association avec des boîtiers muraux d'admission/d'évacuation d'air fixées au mur ou grâce à d'autres mesures techniques telles qu'un verrouillage réciproque, etc.

---

---

## AVERTISSEMENT

Afin de réduire les risques d'incendie, de choc électrique ou de blessures corporelles, n'utilisez pas de pièces de rechange non recommandées par le fabricant (par exemple des pièces fabriquées à la maison à l'aide d'une imprimante 3D).

---

---

## AVERTISSEMENT

Évitez l'intoxication au monoxyde de carbone. – Prévoyez une admission d'air adéquate pour empêcher l'aspiration des gaz de combustion dans la pièce.

Un boîtier mural air d'admission/air d'échappement ne peut garantir que la valeur limite ne sera pas dépassée.

**Remarque :** Lorsque vous évaluez les exigences globales, vous devez tenir compte du système combiné d'aération de la maison au complet. Cette règle ne s'applique pas aux appareils de cuisson, comme les surfaces de cuisson et les fours.

---

## Avertissement issu de la proposition 65 :

Ce produit pourrait contenir un produit chimique reconnu par l'État de la Californie comme cancérigène ou ayant des effets nocifs sur la reproduction. Par conséquent, l'emballage de votre produit pourrait porter l'étiquette suivante, comme requis par la Californie :

**AVERTISSEMENT ISSU DE LA PROPOSITION 65 DE L'ÉTAT DE LA CALIFORNIE :**



**AVERTISSEMENT**

Cancer et dommages à la reproduction -

[www.P65Warnings.ca.gov](http://www.P65Warnings.ca.gov)

---

## Causes des dommages

---

### **AVIS :**

- Risque de détérioration par la corrosion. Toujours allumer l'appareil pendant la cuisson afin d'éviter la formation de condensation. Cette dernière peut provoquer de la corrosion.
- Risque de détérioration par pénétration d'humidité dans l'électronique. Ne jamais nettoyer les commandes avec un chiffon humide.
- Détérioration de la surface par un nettoyage inapproprié. Nettoyer les surfaces en inox seulement dans le sens du métal. Ne pas utiliser de nettoyant à inox pour les organes de commande.
- Détérioration des surfaces par les produits de nettoyage agressifs ou abrasifs. Ne jamais utiliser de produits de nettoyage agressifs ou abrasifs.
- Risque d'endommagement par le reflux de condensat. Installer le canal d'évacuation d'air légèrement incliné vers le bas à partir de l'appareil (1° de pente).

---

## Protection de l'environnement

---

Votre nouvel appareil est d'une très grande efficacité énergétique. Vous trouverez ici des conseils sur comment vous pouvez économiser encore plus d'énergie lors de l'utilisation de l'appareil et sur comment correctement éliminer l'appareil.

Déballez l'appareil et jetez l'emballage dans le respect de l'environnement.

### **Économies d'énergie**

- Éteignez la hotte quand vous n'en avez plus besoin.
- Éteignez l'éclairage quand vous n'en avez plus besoin.
- Nettoyez le filtre aux intervalles indiqués ou remplacez-le pour augmenter l'efficacité de la ventilation et éviter tout risque d'incendie.
- Utilisez un couvercle de cuisson pour réduire la vapeur de cuisson et la condensation.
- N'utilisez les fonctions supplémentaires qu'en cas de besoin. La désactivation des fonctions supplémentaires permet de réduire la consommation d'énergie.

## Modes de fonctionnement

Vous pouvez utiliser cet appareil en mode évacuation ou en mode recyclage.

### Mode évacuation



L'air aspiré est débarrassé des impuretés par les filtres à graisse, transite par un conduit puis gagne l'extérieur.

**Remarque :** Il ne faut pas rejeter l'air usé dans une cheminée d'évacuation en service, ni dans un conduit servant à la ventilation de pièces où sont installés des foyers.

- Pour rejeter l'air dans un conduit de fumées qui n'est pas en service, il faut demander l'accord du maître ramoneur compétent.
- Si l'air est évacué à travers le mur extérieur de l'habitation, il faut utiliser un caisson mural télescopique.

### Mode recyclage



L'air aspiré est nettoyé par les filtres à graisse et un filtre à charbon actif, puis ramené dans la cuisine.

**Remarque :** Pour que les odeurs soient retenues en mode recyclage, vous devez monter un filtre à charbon actif. Pour en savoir plus sur les différentes possibilités d'utilisation de l'appareil en mode recyclage, consultez la documentation ou contactez votre distributeur. Vous trouverez les accessoires nécessaires chez les distributeurs spécialisés, auprès de notre service après-vente ou sur la boutique en ligne,

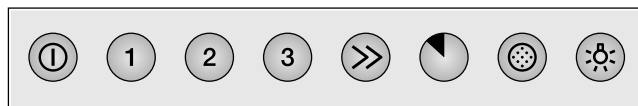
Lors d'une utilisation en mode de recirculation, utilisez uniquement la trousse de conversion modèles AA210110/AA211812 pour réduire les risques d'incendie et d'électrocution. Veuillez consulter la section « Accessoires » du présent manuel.

## Utilisation de l'appareil

**Remarque :** Allumer la hotte aspirante dès le début de la cuisson ; une fois la cuisson achevée, laisser la hotte aspirante fonctionner encore quelques minutes. Ceci permet d'éliminer les vapeurs de cuisson plus efficacement.

## Utilisation de l'appareil

### Bandeau de commande



### Explication

ⓘ	Mettre en marche / arrêter le ventilateur
1	Vitesse de ventilation 1
2	Vitesse de ventilation 2
3	Vitesse de ventilation 3
>>	Vitesse intensive
⌚	Fonction de temporisation
⊙	Indicateur de saturation
💡	Lumière marche/arrêt

## Régler le ventilateur

### Mise en marche

Pour sortir le tiroir-filtre, effleurez légèrement le centre de la poignée.

- 1 Allumer l'appareil à l'aide de la touche ⓘ. Le ventilateur démarre à la vitesse de ventilation 2.
- 2 Les touches 1, 2, 3 ou >> permettent de régler la vitesse de ventilation en fonction des besoins.

### Arrêt

Éteindre l'appareil à l'aide de la touche ⓘ.



## Vitesse intensive

En cas de forte émission d'odeurs ou de vapeurs de cuisson, utiliser la vitesse de ventilation intensive.

- 1 Allumer l'appareil à l'aide de la touche ①.  
Le ventilateur démarre à la vitesse de ventilation 2.
- 2 Activer la ventilation intensive à l'aide de la touche >> .  
**Remarque** : Si vous avez appuyé sur cette touche alors que le ventilateur fonctionnait déjà à la vitesse 1, 2 ou 3, le système électronique revient automatiquement à la vitesse de ventilation précédente après 5 minutes.
- 3 Pour arrêter la ventilation intensive avant les 5 minutes, appuyer sur la touche ① ou sur une autre vitesse de ventilation.

### Réglage de la durée

Vous pouvez régler la durée de fonctionnement de la ventilation intensive.

Durée	Appuyer simultanément sur les touches
3 minutes	>> et 1
5 minutes	>> et 2
10 minutes	>> et 3

Le réglage par défaut à la livraison est de 5 minutes.

## Fonction temporisation

La fonction de temporisation est possible pour toutes les puissances d'aspiration.

- 1 Appuyer tout d'abord sur la touche de la puissance d'aspiration souhaitée : 1, 2, 3 ou >> , puis sur la touche ⌚ .  
**Remarques**
  - La durée de temporisation est de dix minutes pour toutes les puissances d'aspiration. Une fois cette durée écoulée, la ventilation s'arrête automatiquement.
  - Si l'éclairage est allumé, il restera allumé.
- 2 Pour arrêter prématurément la fonction de temporisation, appuyer sur la touche ①.

## Ventilation intermittente

En cas de ventilation intermittente, l'appareil se met en marche automatiquement pendant cinq minutes toutes les heures.

- 1 Allumer l'appareil à l'aide de la touche ① .  
Le ventilateur démarre à la puissance 2. La ventilation intermittente peut être utilisée à la puissance 1, 2 ou 3.
- 2 Appuyer deux fois sur la touche temporisation ⌚ .  
**Remarque** : Ce mode est indiqué par l'allumage alternant de la touche ⌚ avec la puissance correspondante.
- 3 Appuyer sur la touche ① pour arrêter la ventilation intermittente.

## Éclairage

Vous pouvez allumer et éteindre l'éclairage indépendamment de la ventilation.

Appuyer sur la touche ☼.

### Régler la luminosité

Maintenir la touche ☼ enfoncée jusqu'à atteindre la luminosité souhaitée.

## Indicateur de saturation

L'indicateur de saturation Ⓞ du filtre à graisse clignote après 30 heures de fonctionnement.

- Le filtre à graisse doit être alors changé. Pour en savoir plus sur le nettoyage du filtre à graisse métallique, consulter le chapitre **Nettoyage et entretien**.
- La touche Ⓞ permet de réinitialiser l'indicateur de saturation lorsque celui-ci clignote.

---

## Nettoyage et entretien

---

---

### AVERTISSEMENT

#### Risque de brûlures

L'appareil devient chaud pendant le fonctionnement, en particulier au niveau des ampoules. Laisser refroidir l'appareil avant de le nettoyer.

---

---

### AVERTISSEMENT

#### Risque d'électrocution

Une infiltration d'humidité risque de provoquer un choc électrique. Nettoyer l'appareil uniquement avec un chiffon humide. Avant le nettoyage, débrancher la fiche secteur ou disjoncter le fusible dans le tableau électrique.

---

---

### AVERTISSEMENT

#### Risque de choc électrique

La pénétration d'humidité peut provoquer un choc électrique. Ne pas utiliser de nettoyeur à haute pression ou à vapeur.

---

---

### AVERTISSEMENT

#### Risque de blessure

Les pièces se trouvant dans l'appareil peuvent présenter des arêtes vives. Porter des gants de protection.

---

---

## Surface

## Nettoyants

Inox

Eau chaude additionnée de liquide à vaisselle :

Nettoyez avec une lavette et séchez avec un chiffon doux.

Nettoyez les surfaces en inox uniquement dans le sens de polissage du métal.

Des produits d'entretien spécial inox sont disponibles auprès du service après-vente ou dans les commerces spécialisés. Appliquez une fine couche de produit d'entretien avec un chiffon doux.

---

Surfaces laquées

Eau chaude additionnée de liquide à vaisselle :

Nettoyez avec une lavette humide et séchez avec un chiffon doux.

N'utilisez pas de nettoyeur pour inox.

---

Aluminium et plastique

Nettoyant pour vitres :  
Nettoyez avec un chiffon doux.

---

Verre

Nettoyant pour vitres :  
Nettoyez avec un chiffon doux. N'utilisez pas de racloir à verre.

---

Éléments de commande

Eau chaude additionnée de liquide à vaisselle :

Nettoyez avec une lavette humide et séchez avec un chiffon doux.

Risque d'électrocution par pénétration d'humidité.

Risque de détérioration de l'électronique par pénétration d'humidité. Ne nettoyez jamais les éléments de commande avec un chiffon humide.

N'utilisez pas de nettoyeur pour inox.

---

## Produits de nettoyage

Afin de ne pas endommager les différentes surfaces avec des nettoyants inappropriés, respectez les indications du tableau. N'utilisez pas

- de produits agressifs ni abrasifs,
- de produits de nettoyage fortement alcoolisés,
- de tampons à recurer ni d'éponges à dos recurant,
- de nettoyeurs haute pression ni de nettoyeurs à vapeur.

Avant d'utiliser des lavettes éponges neuves, rincez-les soigneusement.

Respectez l'ensemble des notices et des mises en garde accompagnant les produits de nettoyage.

## Nettoyage du filtre à graisse métallique

Ces instructions valent pour plusieurs variantes d'appareil. Certains équipements ne concernant pas votre appareil peuvent y être décrits.

### **⚠** AVERTISSEMENT

#### **Risque d'incendie**

Les dépôts se trouvant dans le filtre à graisse peuvent s'enflammer.

**Nettoyer le filtre à graisse au moins tous les 2 mois.**

Ne jamais faire fonctionner l'appareil sans son filtre à graisse.

### Remarques

- N'utilisez pas de produits nettoyants agressifs, contenant de l'acide ou de la lessive.
- Au moment du nettoyage des filtres à graisse métalliques, nettoyez aussi la fixation des filtres avec un chiffon humide, à l'intérieur de l'appareil.
- Vous pouvez nettoyer les filtres à graisse métalliques au lave-vaisselle ou à la main.

### À la main :

**Remarque :** Pour les salissures tenaces, vous pouvez utiliser un solvant à graisse spécial disponible en particulier sur la boutique en ligne.

- Faites tremper les filtres métalliques dans de l'eau de vaisselle chaude.
- Pour le nettoyage, utilisez une brosse, puis rincez bien les filtres.
- Laissez les filtres s'égoutter.

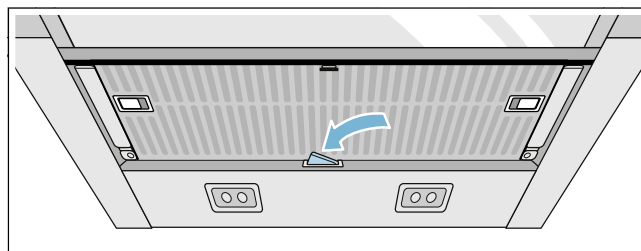
### Au lave-vaisselle :

**Remarque :** Le nettoyage au lave-vaisselle peut provoquer de légères décolorations. Celles-ci n'ont aucune influence sur le fonctionnement des filtres à graisse métalliques.

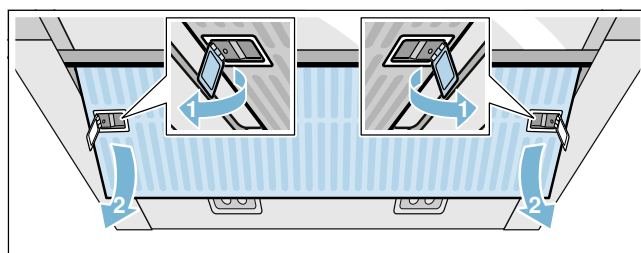
- Ne pas laver les filtres à graisse métalliques très encrassés avec de la vaisselle.
- Positionner les filtres à graisse métalliques pour qu'ils jouent librement dans le lave-vaisselle. Ne pas coincer les filtres à graisse métalliques.

## Retirer le filtre à graisse métallique

- 1 Sortir le tiroir-filtre et enfoncer le mécanisme d'ouverture par pression.



- 2 Déverrouiller le filtre à graisse métallique et le retirer de sa fixation en l'inclinant. Placer l'autre main dessous pour saisir le filtre à graisse métallique.



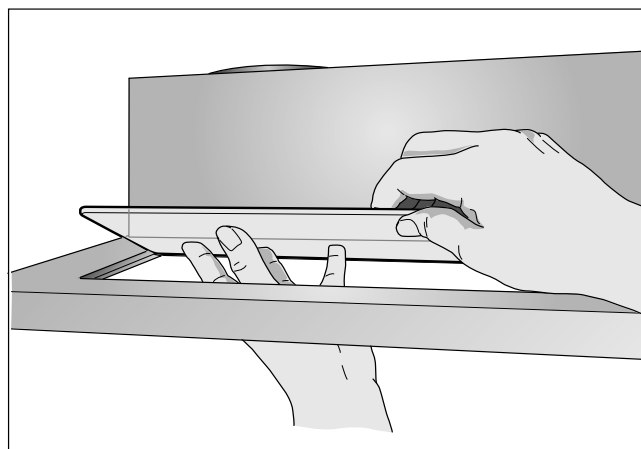
### Remarques

- La graisse peut s'accumuler dans le bas du filtre à graisse métallique.
- Pour éviter que de la graisse ne coule, tenir le filtre à graisse métallique à l'horizontale.

- 3 Nettoyer le filtre à graisse métallique.

Pour les appareils dotés d'une plaque en verre dans le tiroir-filtre :

- il est facile de retirer la plaque en verre et elle peut être nettoyée au lave-vaisselle.
- Pour la sortir, soulever délicatement la plaque en verre.



## Mettre en place le filtre à graisse métallique

- 1 Mettre le filtre métallique à graisse en place en l'inclinant.  
Avec l'autre main sous le filtre à graisse en métal, saisir le filtre.
- 2 Basculer le filtre à graisse en métal vers le haut puis enclencher le verrouillage.
- 3 Appuyer de nouveau sur le mécanisme d'ouverture par pression et l'ouvrir.

**Remarque :** Il faut actionner le mécanisme d'ouverture par pression pour garantir la fonction du tiroir.

---

## Anomalies, que faire ?

---

Dans de nombreux cas, vous pourrez remédier vous-même facilement aux anomalies. Avant de contacter le service après-vente, veuillez vérifier les points suivants :



### AVERTISSEMENT

#### Risque de choc électrique

Les réparations non conformes sont sources de danger. Les réparations et le remplacement des câbles endommagés doivent être confiés exclusivement à des techniciens de S.A.V. formés par nous. Si l'appareil est défectueux, débrancher la fiche d'alimentation secteur ou désactiver le coupe-circuit ou le fusible sur le tableau électrique. Appeler le S.A.V.

---

## Tableau des anomalies

---

Anomalie	Cause possible	Solution
L'appareil ne fonctionne pas	La fiche d'alimentation n'est pas branchée	Brancher l'appareil au secteur
	Panne d'électricité	Vérifier si d'autres appareils de cuisine fonctionnent
	Fusible défectueux	Vérifier sur le tableau électrique si le fusible protégeant l'appareil est en bon état.

---

## Lampes DEL

Le remplacement des DEL défectueuses doit être effectué exclusivement par le fabricant, le service après-vente ou un spécialiste agréé (installateur d'équipement électrique).



### AVERTISSEMENT

#### Risque de blessure

La lumière des lampes DEL est très éblouissante et peut causer des lésions aux yeux (groupe de risque 1). Ne pas regarder plus de 100 secondes directement les lampes DEL allumées.

---

---

## Service après-vente

---

Si votre appareil a besoin d'être réparé, notre service après-vente se tient à votre disposition.

Lors de votre appel, veuillez indiquer le numéro de produit (n° E) et le numéro de fabrication (n° FD), afin de nous permettre de mieux vous aider. Vous trouverez la plaque signalétique à l'intérieur de l'appareil (après avoir retiré le filtre à graisse en métal).

Pour éviter d'avoir à les rechercher en cas de besoin, vous pouvez inscrire ici les données de votre appareil et le numéro de téléphone du service après-vente.

---

N° E

N° FD

---

---

Service après-vente 

---

Veuillez noter que la visite d'un technicien du SAV n'est pas gratuite en cas de manipulation incorrecte, même pendant la période de garantie.

Veuillez lire le mode d'emploi et les directives d'entretien fournis avec l'appareil. Tout manquement à cette consigne pourrait entraîner une erreur à l'utilisation de l'appareil et des demandes de réparations inutiles, qui pourraient ne pas être sous garantie.

### **Demande de réparation et conseils en cas de dysfonctionnement**

CA 877 442 4436

toll-free

## Accessoire

(non compris dans la livraison)

**Remarque :** Ces instructions valent pour plusieurs variantes d'appareil. Il est possible que des accessoires spéciaux soient mentionnés et qu'ils ne soient pas compatibles avec votre appareil.

**Remarque :** Respectez les instructions de montage, chapitre Accessoires.

---

### Équipement initial:

Module de recyclage de l'air CleanAir AA211812

Filtre amovible pour module de recyclage CleanAir AA210110

---

### Cadre d'affaissement :

Largeur de l'appareil 24 po (60 cm) AA210460

---

### Cadre d'affaissement :

Largeur de l'appareil 36 po (90 cm) AA210490

---

### Kit de montage :

Meuble supérieur 36 po (90 cm) AA210491

---



# CONSIGNES DE SÉCURITÉ IMPORTANTES

LIRE ET CONSERVER CES INSTRUCTIONS

INSTALLATEUR : LAISSEZ CES INSTRUCTIONS  
AVEC L'APPAREIL APRÈS UNE FOIS  
L'INSTALLATION TERMINÉE.

IMPORTANT : CONSERVER CES INSTRUCTIONS  
POUR L'USAGE DE L'INSPECTEUR ÉLECTRIQUE  
LOCAL.

---

## AVERTISSEMENT

Si l'information de ce guide n'est pas suivie  
exactement, il peut en résulter un incendie ou un choc  
électrique causant des dommages à la propriété, des  
blessures ou la mort.

---

## AVERTISSEMENT

Ne réparez, remplacez, ni ne retirez aucune partie de  
l'appareil, excepté si les manuels recommandent de le  
faire. Une installation, un entretien ou une inspection  
incorrects peuvent occasionner des blessures ou des  
dommages matériels. Reportez-vous au présent  
manuel pour obtenir des indications. Toute autre  
intervention doit être effectuée par un technicien  
agréé.

---

## AVERTISSEMENT

ATTENTION – AFIN DE RÉDUIRE LES RISQUES  
D'INCENDIE, DE CHOC ÉLECTRIQUE OU DE  
BLESSURES CORPORELLES, VEUILLEZ SUIVRE  
LES INSTRUCTIONS SUIVANTES :

- Les travaux d'installation et de raccordement  
électrique doivent être effectués par une  
personne qualifiée, conformément aux codes et  
standards de construction, y compris ceux  
concernant le feu.
- Assurez-vous que l'aération est suffisante pour  
permettre la combustion et l'évacuation des gaz  
par le conduit de cheminée d'un appareil à  
combustible afin de prévenir le refoulement d'air.  
Respectez les instructions du fabricant de  
l'appareil de chauffage et les normes de sécurité,  
comme celles publiées par la National Fire  
Protection Association (NFPA) et par la American  
Society for Heating, Refrigeration and Air  
Conditioning Engineers (ASHRAE), ainsi que par  
les autorités locales.
- Lorsque vous faites une ouverture dans un mur ou  
un plafond, veillez à ne pas endommager les fils  
électriques ou les conduites qui y sont  
dissimulés.
- Les soufflantes canalisées doivent donner sur  
l'extérieur.

---

## AVERTISSEMENT

Pour l'installation de la hotte, vous devez respecter  
tous les règlements des entreprises de distribution  
d'électricité et de construction régionaux applicables.

---

## AVERTISSEMENT

### Risque d'incendie

Les dépôts se trouvant dans le filtre à graisse peuvent  
s'enflammer. Ne jamais cuisiner à proximité de  
l'appareil avec une flamme ouverte (par exemple pour  
faire flamber). Installer l'appareil près d'un foyer pour  
combustibles solides (bois ou charbon par exemple)  
seulement s'il y a un couvercle fermé et non amovible.  
Il ne faut pas qu'il se produise de projection  
d'étincelles.



# CONSIGNES DE SÉCURITÉ IMPORTANTES

LIRE ET CONSERVER CES INSTRUCTIONS

---

## AVERTISSEMENT

### Risque d'incendie

Le fonctionnement simultané de plusieurs feux gaz engendre une forte production de chaleur. Le cas échéant, l'appareil de ventilation peut être endommagé ou s'enflammer. L'appareil de ventilation doit uniquement être combiné avec des feux gaz dont la puissance totale maximale ne dépasse pas 61,000 BTU/hr (18 kW). Si la puissance maximale dépasse 41,000 BTU/hr (12 kW), les prescriptions locales en matière de ventilation, de volume de la pièce et de combinaison avec des appareils de ventilation en mode aspiration ou ventilation doivent être observées.

---

---

## AVERTISSEMENT

Pour réduire le risque de feu et pour évacuer correctement l'air, évacuez l'air vers l'extérieur. N'évacuez pas l'air dans les murs, les plafonds, les greniers, les vides sanitaires ou les garages.

---

---

## AVERTISSEMENT

Pour réduire les risques de feu, utiliser uniquement des gaines en métal.

---

---

## AVERTISSEMENT

Lorsque la hotte aspirante est utilisée en mode d'évacuation d'air simultanément avec un brûleur différent utilisant également la même cheminée, (tels des appareils de chauffage au gaz, à l'huile ou au charbon, des chauffe-eau instantanés ou des chaudières à eau chaude), veillez à ce que l'apport d'air frais soit suffisant pour assurer la combustion adéquate du brûleur.

Un fonctionnement sans risque est possible si la sous-pression dans la pièce où le brûleur est installé ne dépasse pas 4 Pa (0,04 mbar).

On peut y parvenir en acheminant l'air requis pour la combustion à travers des ouvertures non verrouillables, par exemple dans les portes et fenêtres, et en association avec des boîtiers muraux d'admission/d'évacuation d'air fixées au mur ou grâce à d'autres mesures techniques telles qu'un verrouillage réciproque, etc.

---

---

## AVERTISSEMENT

Évitez l'intoxication au monoxyde de carbone. – Prévoyez une admission d'air adéquate pour empêcher l'aspiration des gaz de combustion dans la pièce.

Un boîtier mural air d'admission/air d'échappement ne peut garantir que la valeur limite ne sera pas dépassée.

**Remarque :** Lorsque vous évaluez les exigences globales, vous devez tenir compte du système combiné d'aération de la maison au complet. Cette règle ne s'applique pas aux appareils de cuisson, comme les surfaces de cuisson et les fours.

---

---

## ATTENTION

Appareil conçu exclusivement pour la ventilation générale. Ne pas utiliser pour évacuer des matières et vapeurs dangereuses ou explosives.

---

Risque d'endommagement par le reflux de condensat. Installer le canal d'évacuation d'air légèrement incliné vers le bas à partir de l'appareil (1° de pente).

## Sécurité de manutention des appareils

Cet appareil est lourd et il faut au moins deux personnes ou l'équipement approprié pour le déplacer.

Certaines surfaces peuvent avoir des bords tranchants. Faire attention en étendant le bras derrière l'appareil ou en dessous.

---

## AVERTISSEMENT

### Risque de blessure

Si l'appareil n'est pas correctement fixé au mur, il risque de tomber. Tous les éléments de fixation doivent être montés solidement et de façon sûre.

---

# **CONSIGNES DE SÉCURITÉ IMPORTANTES**

## LIRE ET CONSERVER CES INSTRUCTIONS

### Codes et normes de sécurité

Cet appareil est conforme aux plus récentes versions de l'une ou plus des normes suivantes :

- UL 507 - Ventilateurs électrique (Electric Fans)
- CAN/CSA C22.2 No. 113 - Ventilateurs et soufflantes (Fans and Ventilators)

Il incombe à l'installateur de déterminer si des exigences et/ou normes additionnelles s'appliquent pour des installations spécifiques.

### Sécurité électrique

---

#### AVERTISSEMENT

##### INSTRUCTIONS DE MISE À LA TERRE

Cet appareil doit être mis à la terre. En cas de court-circuit électrique, la mise à la terre réduira le risque de choc électrique en offrant au courant électrique un fil d'évacuation.

Cet appareil est muni d'un cordon électrique comportant un conducteur de terre et une prise de mise à la terre. La fiche doit être branchée dans une prise qui a été installée et mise à la terre de façon appropriée.

---

---

#### AVERTISSEMENT

Une mise à la terre inadéquate peut entraîner un risque de choc électrique. Consultez un électricien qualifié si vous ne comprenez pas parfaitement les instructions de mise à la terre ou si vous avez des doutes quant à la qualité de la mise à la terre. N'utilisez pas de rallonge. Si le cordon d'alimentation est trop court, demandez à un électricien d'installer une prise à proximité de l'appareil. .

---

---

#### AVERTISSEMENT

Avant tout raccordement de cordon électrique ou toute mise sous tension, assurez-vous que toutes les commandes sont en position OFF (d'arrêt).

---

Pour les appareils dotés d'un cordon et d'une fiche, ne pas couper ou enlever la broche de mise à la terre. Le cordon doit être branché dans une prise de courant adaptée de type mise à la terre pour éviter tout risque d'électrocution. S'il y a un doute en ce qui concerne la mise à la terre de la prise murale, le client devra s'adresser à un électricien qualifié.

S'il y a lieu, conformément au Code national de l'électricité (ou au Code canadien de l'électricité), cet appareil doit être installé sur un circuit de dérivation séparé.

---

#### AVERTISSEMENT

Pour réduire le risque de feu ou de choc électrique, ne pas utiliser cet aérateur avec un variateur de vitesse à semi-conducteur.

---

Installateur – Indiquer au propriétaire l'emplacement du disjoncteur ou du fusible. Identifier sa position pour pouvoir le retrouver facilement.

Avant l'installation, mettre l'appareil hors service au panneau de service. Verrouiller le panneau d'entrée d'électricité pour éviter que le courant ne soit accidentellement rétabli.

---

#### AVERTISSEMENT

AFIN DE RÉDUIRE LES RISQUES D'INCENDIE, DE CHOC ÉLECTRIQUE OU DE BLESSURES CORPORELLES, VEUILLEZ SUIVRE LES INSTRUCTIONS SUIVANTES :

- Utilisez cet appareil seulement de manière conforme à l'usage prévu par le fabricant. Si vous avez des questions, contactez le fabricant.
  - Avant le nettoyage ou l'entretien de l'appareil, mettez-le hors tension sur le tableau électrique et verrouillez les dispositifs de sectionnement afin d'empêcher toute remise sous tension accidentelle.
- S'il est impossible de verrouiller les dispositifs de sectionnement, fixez de manière sûre au tableau électrique un dispositif d'alerte bien visible, par exemple une étiquette.
- 

S'assurer que l'appareil est installé et mis à la terre par un technicien qualifié. L'installation, les connexions électriques et la mise à la terre doivent être conformes à tous les codes applicables.





# CONSIGNES DE SÉCURITÉ IMPORTANTES

LIRE ET CONSERVER CES INSTRUCTIONS

---

## AVERTISSEMENT

---

### Risque de choc électrique

Les pièces se trouvant dans l'appareil peuvent présenter des arêtes vives. Le cordon de branchement peut être endommagé. Ne pas couder ni coincer le cordon de branchement pendant la pose.

---

## Équipement de sécurité

Enlever le ruban adhésif et l'emballage avant d'utiliser l'appareil. Détruire l'emballage après avoir déballé l'appareil. Ne jamais laisser les enfants jouer avec les matériaux de conditionnement.

Utilisez uniquement l'appareil électroménager s'il a été installé par un technicien qualifié conformément aux présentes instructions d'installation. Le fabricant ne peut pas être tenu responsable de tous dommages causés par une installation inadéquate.

Ne jamais modifier ni altérer la configuration de l'appareil. Par exemple, ne pas retirer les pieds de nivellement, les panneaux, les couvercles de câblage ou les fixations/vis antibasculement.

## Avertissement issu de la proposition 65 :

Ce produit pourrait contenir un produit chimique reconnu par l'État de la Californie comme cancérigène ou ayant des effets nocifs sur la reproduction. Par conséquent, l'emballage de votre produit pourrait porter l'étiquette suivante, comme requis par la Californie :

AVERTISSEMENT ISSU DE LA PROPOSITION 65 DE L'ÉTAT DE LA CALIFORNIE :



**AVERTISSEMENT**

Cancer et dommages à la reproduction -  
[www.P65Warnings.ca.gov](http://www.P65Warnings.ca.gov)

## Avant de commencer

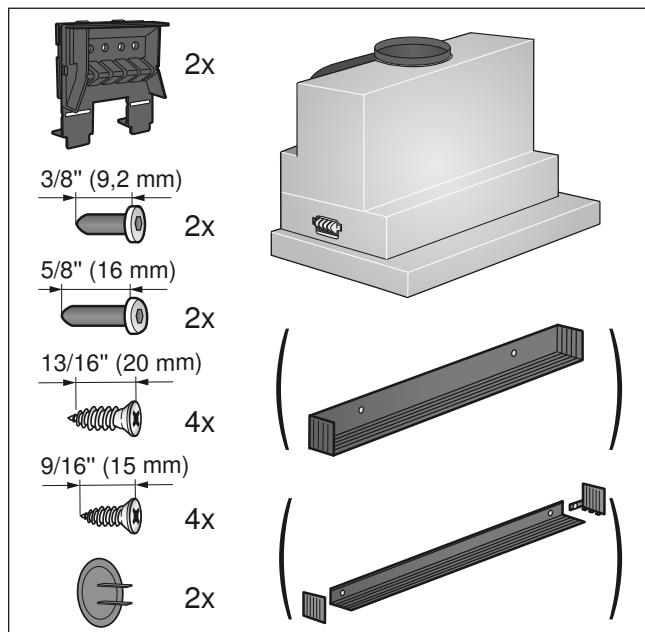
Ces instructions valent pour plusieurs variantes d'appareil. Certains équipements ne concernant pas votre appareil peuvent y être décrits.

## Outils et pièces nécessaires

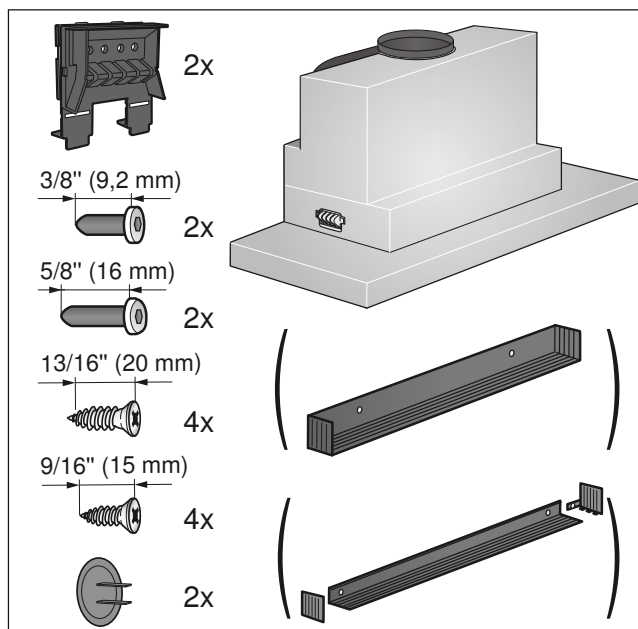
- Décamètre à ruban
- Crayon
- Tournevis Torx TX20
- Perceuse avec les forets suivants : 5/16" (8 mm)
- Niveau à bulle
- Ruban en aluminium (NE PAS utiliser un ruban isolant)
- Canal d'évacuation d'air (la configuration dépend de la situation de montage).
- Vis à tôle supplémentaires (si nécessaires pour l'installation du conduit d'évacuation)

## Pièces comprises

Appareil de largeur 24 po (60 cm) :



Appareil de largeur 36 po (90 cm) :



## Distances de sécurité

### ⚠ AVERTISSEMENT

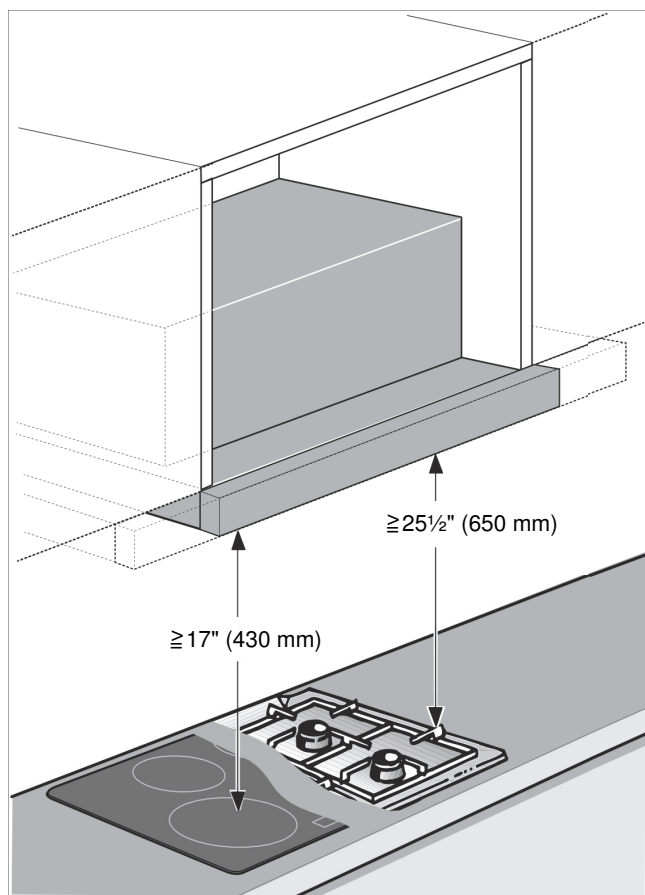
#### Risque d'incendie

Les dépôts de graisse dans le filtre à graisse peuvent s'enflammer. Les distances de sécurité indiquées doivent être respectées, afin d'éviter une accumulation de chaleur. Veuillez respecter les indications relatives à votre appareil de cuisson. Si votre table de cuisson combine des foyers gaz et électrique, l'écart maximal s'applique.

L'appareil ne peut jouxter que sur un côté un meuble haut ou une paroi. La distance vers la paroi ou le meuble haut doit être d'au moins 2" (50 mm).

La distance entre la surface de rangement sur la table de cuisson et le dessous de la hotte ne doit pas être inférieure à 430 mm (17 po) pour les tables de cuisson électriques et à 650 mm (25½ po) pour les cuisinières à gaz ou combinées.

Si les instructions d'installation de l'appareil de cuisson au gaz spécifient une plus grande distance, celle-ci doit être prise en compte.



## Instructions Générales

- Cet appareil s'installe dans le meuble supérieur.
- Accessoires spéciaux (par ex. pour le mode Recirculation de l'air) : tenez compte de la notice d'installation les accompagnant.
- Les surfaces de l'appareil sont fragiles. Lors de l'installation, évitez de les endommager.

## Mode évacuation

### ⚠ AVERTISSEMENT

#### Danger de mort

Il y a un risque d'intoxication par réaspiration des gaz de combustion. L'air sortant ne doit pénétrer ni dans une cheminée en service destinée à évacuer la fumée ou des gaz brûlés, ni dans une gaine servant à aérer les locaux où sont installés des foyers à combustion. Si l'air sortant circule par une cheminée non en service destinée à évacuer la fumée ou des gaz brûlés, il faudra consulter un ramoneur compétent dans votre quartier.

Si l'air sortant traverse la paroi extérieure, il faudrait utiliser un caisson télescopique mural.

## Conduit d'évacuation

**Remarque :** Le fabricant de l'appareil décline toute garantie en cas de réclamation imputable à des problèmes liés au parcours des conduits.

- L'appareil atteindra un rendement supérieur si le conduit d'évacuation est court et droit et que son diamètre est grand.
- Si les tuyaux d'évacuation sont longs, présentent de nombreux coudes ou ont un diamètre inférieur à 6 po (150 mm), la puissance maximale d'aspiration ne sera pas atteinte et le ventilateur fera plus de bruit.
- Les tuyaux rigides ou souples constituant le conduit d'évacuation doivent être en matériau ininflammable.

#### Tuyaux ronds

Nous recommandons un diamètre intérieur de 6 po (150 mm), avec un minimum de 4  $\frac{3}{4}$  po (120 mm).

### Gaines plates

La section intérieure doit correspondre au diamètre des tuyaux ronds.

Ø 6 po (150 mm) env. 27<sup>1</sup>/<sub>2</sub> pouce carré (177 cm<sup>2</sup>)

Ø 4 <sup>3</sup>/<sub>4</sub> po (120 mm) env. 26<sup>3</sup>/<sub>4</sub> pouce carré (113 cm<sup>2</sup>)

- Les gaines plates ne doivent pas présenter de dévoiements trop importants.
- Pour raccorder des tuyaux de diamètres différents, utiliser du ruban d'étanchéité.

## Préparation du meuble

- Le meuble d'encastrement doit être aligné à l'horizontale et présenter une capacité de charge suffisante.
- Le poids max. de la hotte aspirante est de 18 kg.

### Dimensions de l'appareil et distances de sécurité

- Tenez compte des dimensions de l'appareil.
- Respectez les distances de sécurité.

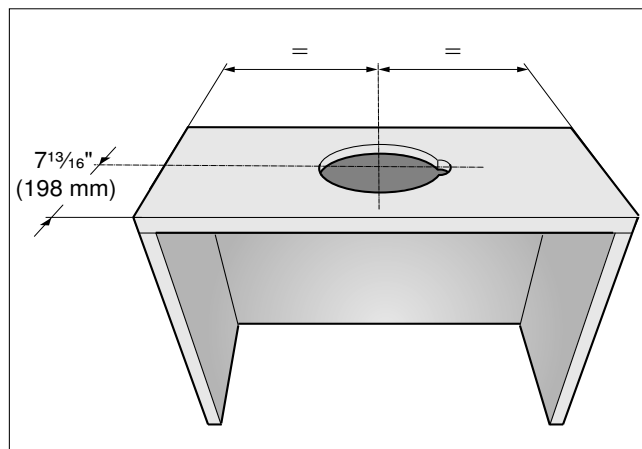
Si les instructions d'installation des appareils de cuisson au gaz indiquent une distance différente, tenez toujours compte de la distance la plus grande.

Le meuble d'encastrement doit résister à des températures jusqu'à 194° F (90 °C). La stabilité du meuble d'encastrement doit aussi être assurée après les travaux de découpe.

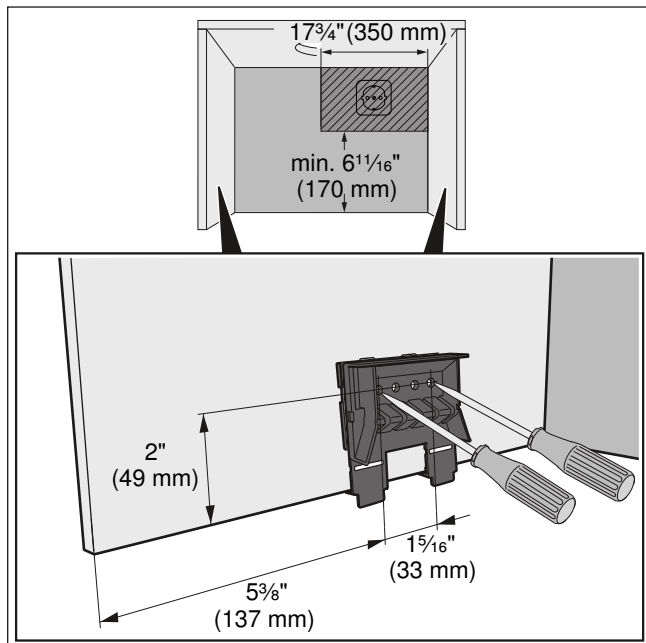
Cette hotte aspirante est prévue pour être montée dans un meuble haut avec les dimensions suivantes :

Largeur	24" (600 mm)
Profondeur	min. 12 <sup>5</sup> / <sub>8</sub> " (320 mm)
Profondeur	min. 13 <sup>3</sup> / <sub>4</sub> " (350 mm) avec cadre d'affaissement
Hauteur	min. 16 <sup>9</sup> / <sub>16</sub> " (420 mm)
Hauteur	min. 24" (600 mm) avec module de recyclage CleanAir

- 1 Pratiquez la découpe pour le conduit d'évacuation. Pour ce faire, réalisez une ouverture dans le plafond ou à l'arrière du meuble d'encastrement avec une encoche supplémentaire pour le câble secteur.

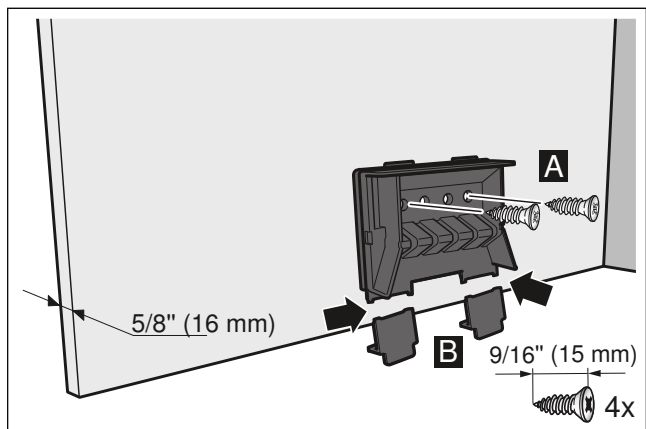


- 2 Si présent, retirez le fond du meuble. Tracez les points de fixation sur les parois intérieures du meuble et pré-percez-les avec un poinçon. Utilisez l'élément de fixation joint pour tracer les points de fixation.



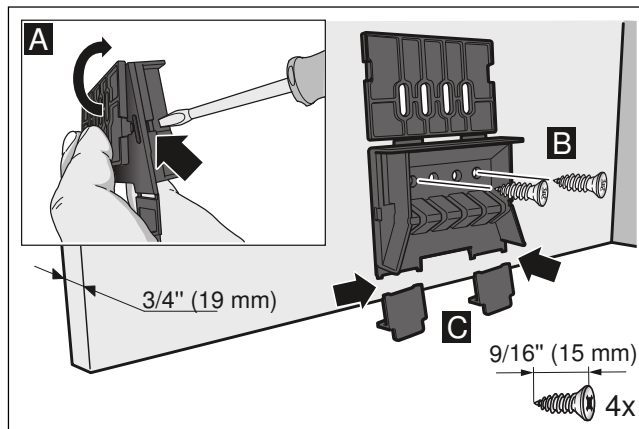
**Épaisseur de paroi du corps : 5/8" (16 mm)**

- 1 Vissez les éléments de fixation à gauche et à droite sur le corps. **A**
- 2 Retirez les pattes sous les éléments de fixation. **B**



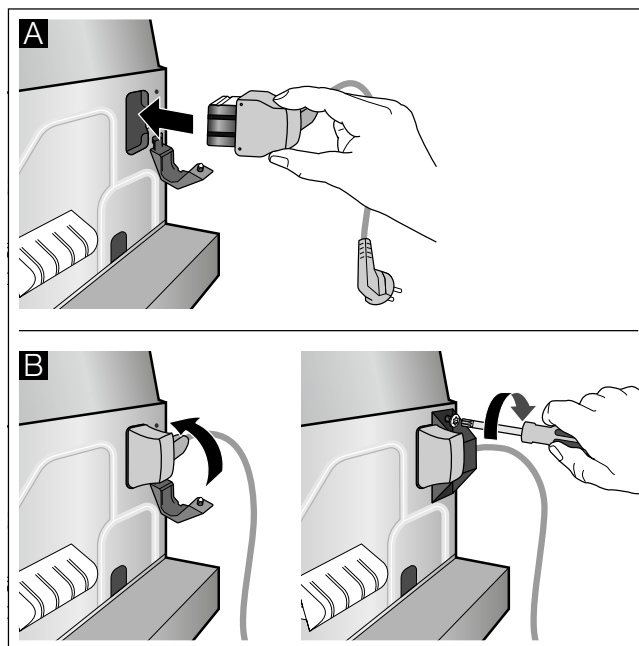
**Épaisseur de paroi du corps : 3/4" (19 mm)**

- 1 Dépliez la patte au niveau des deux éléments de fixation. **A**
- 2 Vissez les éléments de fixation à gauche et à droite sur le corps. **B**
- 3 Retirez les pattes sous les éléments de fixation. **C**



**Préparation de l'appareil**

- 1 Branchez le câble d'alimentation fourni à l'appareil. **A**
- 2 Sécurisez le câble de raccordement réseau avec la décharge de traction. **B**



---

## Branchement électrique

---

---

### AVERTISSEMENT

---

#### Risque de choc électrique

Les pièces se trouvant dans l'appareil peuvent présenter des arêtes vives. Le cordon de branchement peut être endommagé. Ne pas couder ni coincer le cordon de branchement pendant la pose.

---

Les données de raccordement nécessaires se trouvent sur la plaque signalétique dans le compartiment intérieur de l'appareil; pour y accéder, retirez le filtre à graisse en métal.

**Longueur du câble de branchement : env. 1,30 m (4<sup>1</sup>/<sub>4</sub> pied).**

Cet appareil est conforme aux dispositions CE régissant l'antiparasitage.

---

### AVERTISSEMENT

---

#### Risque d'électrocution

À tout moment, il doit être possible de séparer l'appareil du réseau électrique. L'appareil doit être raccordé impérativement à une prise de courant de sécurité installée de manière réglementaire.

La prise du cordon d'alimentation secteur doit être librement accessible après le montage de l'appareil. En cas d'impossibilité, dans l'installation à câblage fixe, un dispositif de coupure omnipolaire doit être installé conformément aux conditions de la catégorie de surtension III et aux réglementations d'installation.

Seul un électricien qualifié est autorisé à procéder à l'installation électrique fixe. Nous vous recommandons d'installer un disjoncteur différentiel (interrupteur FI) dans le circuit d'alimentation de l'appareil.

---

Le courant admissible des disjoncteurs divisionnaires, la taille des câbles et les connexions doivent être conformes aux exigences du Code électrique national ou du Code électrique canadien ainsi qu'à tous les codes et règlements locaux.

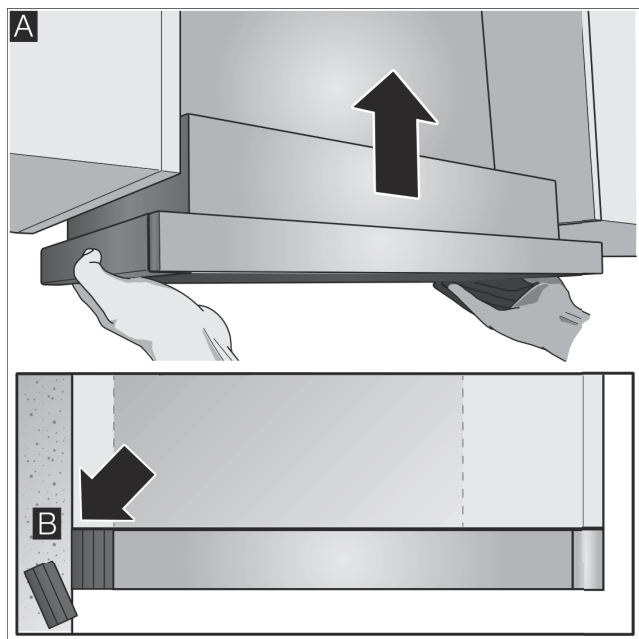
### Ce appareil est relié avec une fiche

- La fiche doit être conforme aux normes NEMA pour fiches et prises de courant.
- L'appareil doit être correctement mis à la terre.
- La fiche d'alimentation doit être au minimum du type 6-20 P (2 broches, 3 fils avec terre).
- Le branchement de la fiche doit être fait exclusivement par un électricien qualifié.
- Poser une prise de courant avec terre conformément à la réglementation, à environ 27" (700 mm) au-dessus du sol derrière l'appareil. La prise de courant doit rester accessible après la pose de l'appareil.

## Installation

### Accrochage de l'appareil

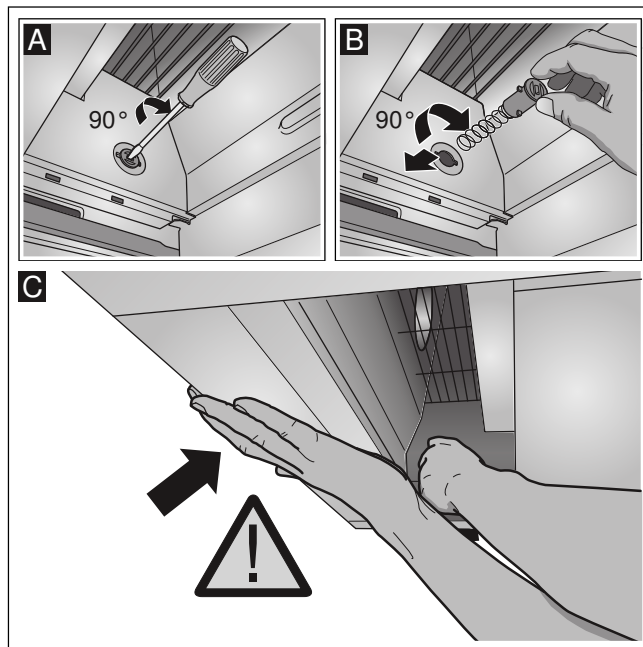
- 1 Accrochez et nivelez l'appareil. **A**
- 2 Mesurez la distance entre l'appareil et le mur et reportez-la sur la baguette murale.
- 3 Si nécessaire, raccourcissez la baguette murale à la dimension requise. **B**



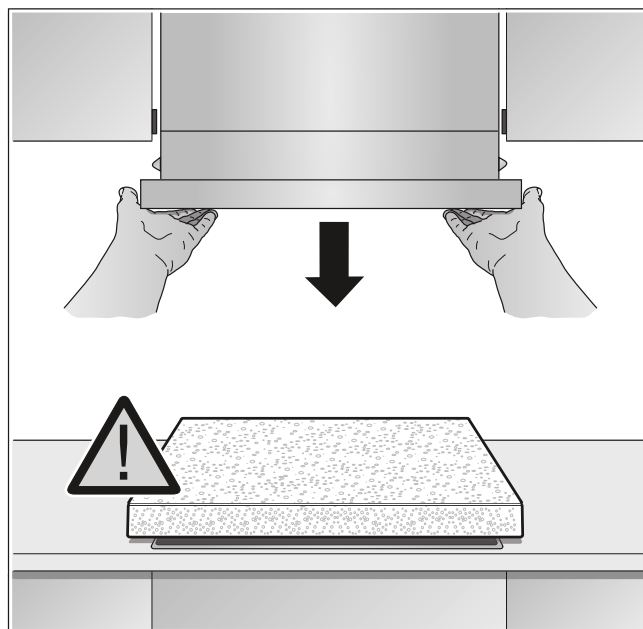
### Décrochage de l'appareil

**Remarque :** Avant de décrocher l'appareil, protégez la table de cuisson avec une partie d'emballage en polystyrène.

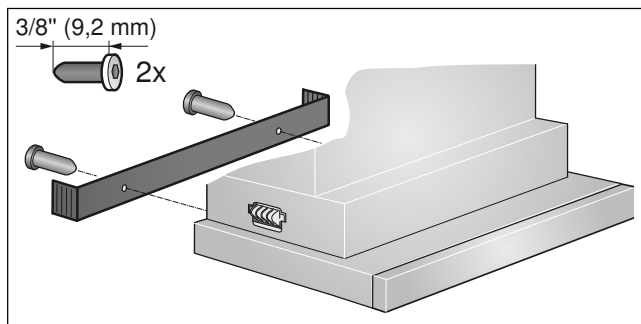
- 1 Enfoncez le boulon de fixation avec un tournevis plat et tournez à 90° jusqu'à ce qu'il s'enclenche en place. **A**
- 2 Enfoncez légèrement le boulon de fixation avec les doigts et tournez jusqu'à ce qu'il s'enlève du boîtier avec les ressorts. **B**  
Tirez légèrement sur le boulon de fixation en saisissant le dessous de l'appareil avec l'autre main. **C**



- 3 Retirez l'appareil avec précaution.



4 Vissez fermement la baguette murale.

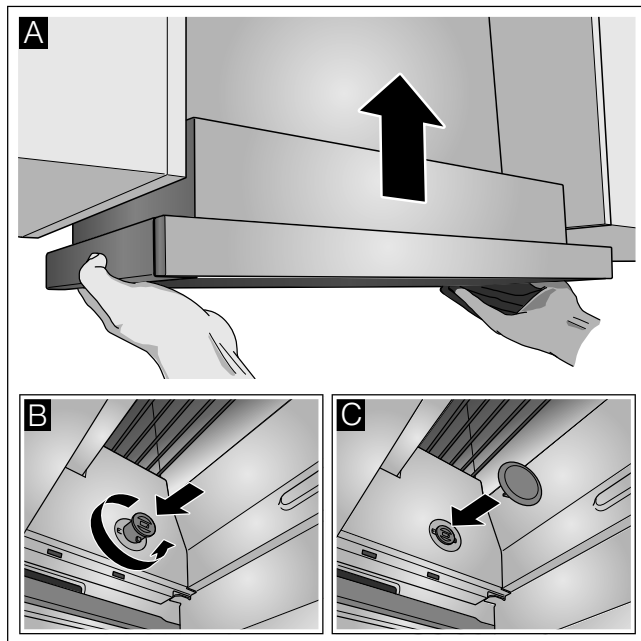


5 Enfoncez le boulon de fixation et tournez-le à 90°.

**Remarque :** Les éléments de fixation à gauche et à droite de l'appareil doivent être mobiles.

## Montage final

- 1 Accrochez l'appareil. **A**
- 2 Bloquez les boulons de fixation à gauche et à droite. **B**
- 3 Encliquez les capuchons à gauche et à droite. **C**



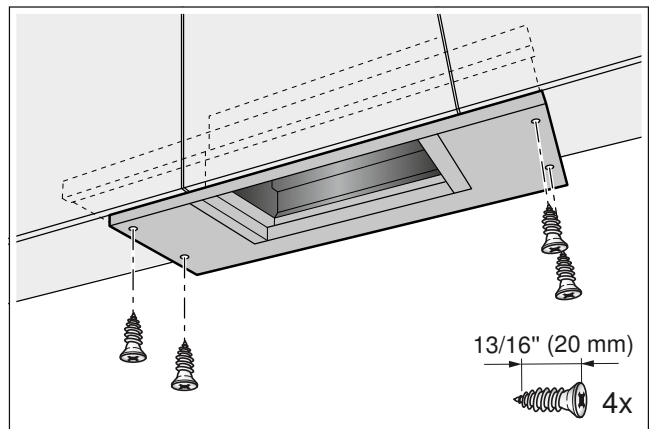
4 Établissez le raccordement électrique.

**Remarque :** Le corps de la hotte aspirante peut être paré à l'intérieur du meuble supérieur. Sachant qu'il faut tenir compte des points suivants :

- Le fond intermédiaire ne doit pas reposer sur le corps de la hotte aspirante.
- Le parement avant ne doit pas être fixé au corps.
- La facilité d'accès pour le changement du filtre et le service après-vente doit être garantie.

**Largeur de l'appareil 36" (90 cm) :**

Vissez également l'appareil sur les meubles supérieurs latéraux.



## Fixez les jonctions des conduits

**Remarque :** En cas d'utilisation d'un tuyau en aluminium, lissez au préalable la zone de raccordement.

**Tuyau d'évacuation Ø 6 po (150 mm)  
(diamètre recommandé)**

Fixez le tuyau d'évacuation directement contre le manchon d'évacuation puis étanchéifiez.

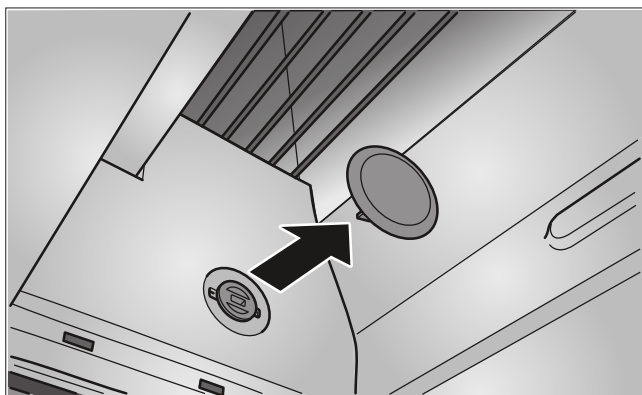
**Tuyau d'évacuation Ø 4¾ po (120 mm)**

- 1 Fixez le manchon réducteur directement contre le manchon d'évacuation.
- 2 Fixez le tuyau d'évacuation contre le manchon réducteur.
- 3 Étanchéifiez les deux zones de jonction de manière appropriée.



## Dépose de l'appareil

- 1 Retirez la connexion électrique.
- 2 Retirez les jonctions des conduits.
- 3 Démontez les filtres à graisse métallique.
- 4 Ôtez les capuchons des fixations.



- 5 Décrochez l'appareil voir la section « Décrochage de l'appareil ».

---

# Índice

---

---

## Manual de instrucciones 51

---

▲ Definiciones de seguridad 51

### INSTRUCCIONES DE SEGURIDAD

#### IMPORTANTES 52

- Indicaciones generales 52
- Seguridad para evitar incendios 52
- Prevención de quemaduras 53
- Seguridad de los niños 53
- Seguridad en la limpieza 54
- Seguridad durante su uso 54
- Instalación y mantenimiento adecuados 54
- Advertencia en virtud de la Proposición 65: 55

Causas para los daños 56

Protección del medio ambiente 56

Ahorro de energía 56

Modos de funcionamiento 57

Funcionamiento con extracción de aire 57

Circulación del aire 57

Operar el equipo 57

Operar el equipo 57

Ajustar el ventilador 57

Nivel intensivo 58

Función de inercia 58

Ventilación a intervalos 58

Iluminación 58

Indicador de saturación 58

Limpieza y mantenimiento 59

¿Qué hacer en caso de fallas? 61

Servicio al Cliente 62

Accesorio 62

---

## Instrucciones de instalación 62

---

### INSTRUCCIONES DE SEGURIDAD

#### IMPORTANTES 63

Seguridad de manejo del electrodoméstico 64

Códigos y normas de seguridad 65

Seguridad eléctrica 65

Seguridad del equipo relacionado 66

Advertencia en virtud de la Proposición 65: 66

Antes de empezar 67

Herramientas y piezas necesarias 67

Piezas incluidas 67

Distancias de seguridad 67

Información General 68

Funcionamiento con extracción de aire 68

Conducto de escape 68

Preparación de los muebles 69

Preparar el aparato 70

Conexión eléctrica 71

Instalar 72

Enganchar el aparato 72

Enganchar el aparato 72

Montaje final 73

Desmontar el aparato 74

Encontrará más información sobre productos, accesorios, piezas de repuesto y servicios en internet: [www.gaggenau.com](http://www.gaggenau.com) y también en la tienda online: [www.gaggenau.com/zz/store](http://www.gaggenau.com/zz/store)

---

## Definiciones de seguridad

---

---

### ADVERTENCIA

---

Esto indica que pueden producirse heridas graves o incluso la muerte si no se cumple con esta advertencia.

---

---

### ATENCION

---

Esto indica que pueden producirse heridas leves o moderadas si no se cumple con esta advertencia.

---

**AVISO:** Esto indica que pueden producirse daños en el aparato o en los bienes si no se cumple con este aviso.

**Nota:** Esto alerta sobre información o sugerencias importantes.



# INSTRUCCIONES DE SEGURIDAD IMPORTANTES

LEA Y CONSERVE ESTAS INSTRUCCIONES

---

## ADVERTENCIA

---

Su nuevo electrodoméstico ha sido diseñado para ser seguro y confiable si recibe el cuidado adecuado. Lea atentamente todas las instrucciones antes de usarlo. Estas precauciones reducirán el riesgo de quemaduras, descarga eléctrica, incendio y lesiones a personas. Al utilizar electrodomésticos de cocina, se deben tomar precauciones de seguridad básicas, incluidas las que se encuentran en las páginas siguientes.

---

## Indicaciones generales

Una vez retirado el embalaje, revise el aparato. No lo conecte si ha sufrido daños durante el transporte.

## Seguridad para evitar incendios

Siempre tenga un detector de humo en funcionamiento cerca de la cocina.

---

## ADVERTENCIA

---

PARA REDUCIR EL RIESGO DE INCENDIO OCASIONADO POR LA GRASA EN LA ESTUFA:

- a) Nunca deje las unidades de la superficie sin vigilancia en valores altos. Los derrames por hervor producen humos y salpicaduras grasosas que pueden prenderse fuego. Caliente los aceites despacio a temperaturas bajas o medianas.
- b) Siempre encienda la campana al cocinar a una temperatura alta.
- c) Limpie los ventiladores extractores con frecuencia. No se debe permitir la acumulación de la grasa en el ventilador ni en el filtro.
- d) Use el tamaño de cacerola adecuado. Siempre use utensilios de cocina apropiados para el tamaño del elemento de la superficie.

No flambee alimentos bajo la campana no decorativa ni trabaje con la llama abierta. Cuando está encendida, la campana extractora atrae las llamas hacia el filtro. ¡Siempre existe el riesgo de incendio debido a los depósitos en el filtro de grasa!

---

---

## ATENCIÓN

---

Solo para la ventilación general. No utilizar para la extracción de sustancias y vapores peligrosos o explosivos.

---

No utilice ningún ventilador que tenga el cable o la clavija dañados. Deseche el ventilador o entréguelo a un taller autorizado para su inspección y/o reparación.

No tender el cable por debajo de moquetas. No tapar el cable con alfombras, felpudos ni similares. No pasar el cable por debajo de muebles o electrodomésticos. Tender el cable alejado de la zona de paso y en un lugar donde no implique peligro de tropiezo.

En el caso de que su ropa se prenda fuego, arrójese al piso y ruede de inmediato para extinguir las llamas.

Sofoque las llamas provocadas por alimentos que se prenden fuego, que no sean incendios ocasionados por grasa, con bicarbonato de sodio. Nunca use agua en incendios ocasionados al cocinar.

---

## ADVERTENCIA

---

PARA REDUCIR EL RIESGO DE LESIONES A PERSONAS EN CASO DE INCENDIO OCASIONADO POR GRASA EN LA ESTUFA, SIGA ESTAS INDICACIONES:

- SOFOQUE LAS LLAMAS con una tapa que ajuste correctamente, una placa para galletas u otra bandeja de metal; luego, apague la hornilla. ASEGÚRESE DE PREVENIR LAS QUEMADURAS. Si las llamas no se apagan de inmediato, EVACUE EL ÁREA Y LLAME AL DEPARTAMENTO DE BOMBEROS.
  - NUNCA LEVANTE UNA OLLA EN LLAMAS ya que se puede quemar.
  - NO USE AGUA, ni toallas o repasadores húmedos, ya que puede ocasionar una violenta explosión por vapor.
  - Use un extinguidor SÓLO si:
    - Sabe que tiene un extinguidor Clase ABC y ya sabe cómo usarlo.
    - El incendio es pequeño y se limita al área donde se originó.
    - Alguien llamó al departamento de bomberos.
    - Puede combatir el incendio de espaldas a una salida.
-



# INSTRUCCIONES DE SEGURIDAD IMPORTANTES

LEA Y CONSERVE ESTAS INSTRUCCIONES

Tenga un extinguidor de incendio disponible, cerca, en un área fácilmente visible y accesible, cerca del electrodoméstico.

Si es posible, no ponga el sistema de ventilación en funcionamiento si hay un incendio en la placa. Pero no atraviese el fuego con la mano para apagarla.

---

## ADVERTENCIA

### Peligro de incendio

Los depósitos de grasa en el filtro de grasa se pueden incendiar.

**Limpie el filtro de grasa por lo menos cada dos meses.**

Nunca haga funcionar el equipo sin filtro de grasa.

---

---

## ADVERTENCIA

### Peligro de incendio

Los depósitos de grasa en el filtro de grasa se pueden incendiar. Nunca trabaje con flama abierta cerca del equipo (por ejemplo con platillos flameados). Solamente instale el equipo cerca de un fogón para sustancias sólidas (p. ej. madera o carbón) si está disponible una cubierta cerrada que no se pueda quitar. No deben volar las chispas.

---

---

## ADVERTENCIA

### Riesgo de incendio

Los quemadores de gas en los que no se haya colocado ningún recipiente para cocinar encima, generan gran cantidad de calor durante su funcionamiento. Eso puede dañar o incendiar el aparato de ventilación situado encima. Utilizar los quemadores de gas únicamente colocando encima recipientes para cocinar.

---

---

## ADVERTENCIA

### Peligro de incendio

Cuando se usan simultáneamente varios fogones de gas se genera mucho calor. Eso puede dañar o incendiar el aparato de ventilación situado encima. No utilizar simultáneamente durante más de 15 minutos dos zonas de cocción de gas con una llama grande. Un quemador grande con más de 17,000 Btu/hr (5 kW) (wok) equivale a la potencia de dos quemadores de gas.

---

---

## ADVERTENCIA

### Riesgo de incendio

Cuando se usan simultáneamente varios quemadores de gas se genera mucho calor. El aparato de ventilación puede dañarse o incendiarse. El aparato de ventilación solo puede combinarse con quemadores de gas que no superen una potencia total máxima de 61,000 BTU/hr (18 kW). Al exceder la potencia total de 41,000 BTU/hr (12 kW) se deben observar los reglamentos locales respecto a la ventilación del área, tamaño del área y combinación con aparatos de ventilación en el modo de aire de extracción o aire de circulación.

---

---

## ADVERTENCIA

### Peligro de incendio

El aceite y la grasa calientes son altamente inflamables. Nunca deje aceite ni grasa calientes sin supervisión. Nunca extinga un incendio con agua. Apague la zona de cocina. Sofoque las llamas con cuidado con una tapa, una manta ignífuga o un objeto similar.

---

## Prevención de quemaduras

---

## ADVERTENCIA

### Riesgo de quemaduras

Al estar en funcionamiento, las partes accesibles se calientan mucho. Nunca toque las partes calientes. Mantenga alejados a los niños.

---

## Seguridad de los niños

Cuando los niños tienen la edad adecuada para utilizar el electrodoméstico, es responsabilidad de los padres o tutores legales asegurarse de que reciban las instrucciones sobre prácticas seguras por parte de personas calificadas.

Retire toda la cinta y el embalaje antes de usar el electrodoméstico. Destruya el embalaje después de desembalar el electrodoméstico. Nunca deje que los niños jueguen con el material de embalaje.

No deje que nadie se suba, pare, incline, siente o cuelgue de cualquier parte de un electrodoméstico,



# INSTRUCCIONES DE SEGURIDAD IMPORTANTES

LEA Y CONSERVE ESTAS INSTRUCCIONES

especialmente una puerta, cajón calentador o cajón para almacenamiento. Esto puede dañar el electrodoméstico, y la unidad puede caerse y, posiblemente, causar lesiones graves.

No permita que niños utilicen este electrodoméstico, a menos que sean supervisados de cerca por un adulto. Los niños y las mascotas no deben quedar solos o sin vigilancia en el área donde se utilice el electrodoméstico. Nunca se les debe permitir jugar cerca del electrodoméstico, independientemente de que esté en funcionamiento o no.

---

## ATENCIÓN

Los objetos de interés para niños no deben almacenarse en un electrodoméstico, en gabinetes sobre un electrodoméstico ni en la placa antisalpicaduras. Si los niños se suben a un electrodoméstico para alcanzar estos objetos, podrían sufrir lesiones graves.

---

## Seguridad en la limpieza

---

### ADVERTENCIA

Asegúrese de que todo el electrodoméstico (incluidos los filtros de grasa y los focos, si corresponde) se haya enfriado y la grasa se haya solidificado antes de intentar limpiar cualquier parte del electrodoméstico.

No use limpiadores a vapor para limpiar el aparato.

---

## Seguridad durante su uso

---

### ADVERTENCIA

No reparar, sustituir ni quitar ninguna pieza del electrodoméstico a menos que se recomiende de forma específica en los manuales. Una instalación, servicio o mantenimiento inadecuados pueden causar lesiones o daños materiales. Consultar este manual para recibir ayuda. Todos los demás servicios debe realizarlos un agente autorizado.

---

### ADVERTENCIA

#### Riesgo de lesiones

Los objetos situados sobre el aparato pueden caerse. No colocar objetos sobre el aparato.

---

### ADVERTENCIA

#### Riesgo de lesiones

La luz de las luces LED es muy deslumbrante y puede dañar los ojos (grupo de riesgo 1). No mirar más de 100 segundos directamente a las luces LED encendidas.

---

## Instalación y mantenimiento adecuados

Pídale al instalador que le muestre la ubicación del disyuntor o el fusible. Márquela para recordarla más fácilmente.

Este electrodoméstico debe ser correctamente instalado y conectado a tierra por un técnico calificado. Conéctelo sólo a una toma de corriente eléctrica correctamente conectada a tierra. Para obtener más información, consulte las Instrucciones de instalación.

Este electrodoméstico ha sido diseñado para uso doméstico normal únicamente. No está aprobado para uso en exteriores. Consulte la Declaración de Garantía limitada del Producto. Si tiene alguna pregunta, comuníquese con el fabricante.

No almacene ni utilice productos químicos corrosivos, vapores, materiales inflamables ni productos no alimenticios dentro de este electrodoméstico ni cerca de él. Está específicamente diseñado para calentar o cocinar alimentos. El uso de productos químicos corrosivos al calentar o limpiar dañará el electrodoméstico y podría causar lesiones.

No utilice este electrodoméstico si no funciona correctamente o si ha sido dañado. Comuníquese con un centro de servicio técnico autorizado.

No repare ni cambie ninguna parte del electrodoméstico, a menos que se recomiende específicamente en este manual. Remita todas las reparaciones a un centro de servicio técnico autorizado por la fábrica.



# INSTRUCCIONES DE SEGURIDAD IMPORTANTES

LEA Y CONSERVE ESTAS INSTRUCCIONES

---

## ATENCIÓN

La grasa acumulada en los filtros puede volver a derretirse y entrar en la abertura de ventilación.

Las superficies ocultas pueden tener bordes filosos. Proceda con cuidado al intentar tomar el electrodoméstico por la parte trasera o desde abajo.

---

## ADVERTENCIA

Cuando se utiliza la campana en modo de aire de escape simultáneamente con un quemador diferente que también usa la misma chimenea (como calentadores a gas, aceite o carbón, calentadores de flujo continuo, calentadores de agua) se debe asegurar que haya un suministro de aire fresco suficiente para las necesidades de combustión del quemador.

La operación segura es posible siempre que la subpresión de la habitación donde está instalado el quemador no supere los 4 Pa (0.04 mbar).

Esto es posible si el aire de combustión puede circular a través de aberturas que no puedan trabarse, como ser en puertas y ventanas, y a través de cajas de entrada/salida de aire en la pared, o mediante otras medidas técnicas, como enclavamiento recíproco, etc.

---

## ADVERTENCIA

Para reducir el riesgo de incendio, descarga eléctrica o lesiones a las personas, no utilizar partes de refacción que no hayan sido recomendadas por el fabricante (p.ºej., partes fabricadas en casa con una impresora 3D).

---

## ADVERTENCIA

Evite la intoxicación por monóxido de carbono: proporcione una entrada de aire suficiente para que los gases de la combustión no vuelvan a ingresar en la habitación.

Una caja de entrada/salida de aire en la pared por sí sola no garantiza que no se superará el valor límite.

**Nota:** Al evaluar el requisito total, se debe tener en cuenta el sistema de ventilación combinado para todo el hogar. Esta norma no se aplica al uso de aparatos de cocina, como parrillas y hornos.

## Advertencia en virtud de la Proposición 65:

Este producto puede contener un químico que el Estado de California reconoce como potencialmente cancerígeno o causante de daños reproductivos. Por tanto, su producto debe llevar en su embalaje la siguiente etiqueta de conformidad con la legislación de California:

**ADVERTENCIA EN VIRTUD DE LA PROPOSICIÓN 65 DEL ESTADO DE CALIFORNIA:**

 **ADVERTENCIA**

Cáncer y daño reproductivo - [www.P65Warnings.ca.gov](http://www.P65Warnings.ca.gov)

---

## Causas para los daños

---

### **AVISO:**

- Peligro de daños por corrosión. Encender siempre el aparato cuando se vaya a cocinar con el fin de evitar la formación de agua condensada. El agua condensada puede conllevar daños por corrosión.
- Peligro de daños por humedad que penetre en el sistema eléctrico. Nunca limpie los elementos de operación con trapos mojados.
- Daño en la superficie por limpieza inadecuada. Limpie las superficies de acero inoxidable solamente en dirección del tallado original. No utilice limpiador para acero inoxidable para elementos de servicio.
- Daño en la superficie por productos de limpieza agresivos o por frotación. Nunca use productos de limpieza agresivos o por frotación.
- Peligro de daños por recirculación del vapor condensado. Instalar el canal de salida de aire del aparato ligeramente inclinado hacia abajo (1° de desnivel).

---

## Protección del medio ambiente

---

Su nuevo aparato presenta una gran eficiencia energética. Aquí se ofrecen consejos sobre cómo manejar el aparato ahorrando más energía y cómo desecharlo correctamente.

Saque el equipo de su empaque y elimine éste de forma ecológica.

### **Ahorro de energía**

- Desconectar la campana extractora cuando ya no se necesite.
- Desconectar la iluminación cuando ya no se necesite.
- Limpiar y, en caso necesario, reemplazar el filtro en los intervalos indicados para aumentar la eficacia de la ventilación y evitar un riesgo de incendio.
- Colocar la tapa para reducir el vapor y la condensación.
- Utilizar las funciones adicionales solo en caso necesario. Si se desactivan las funciones adicionales, se reduce el consumo de energía.



## Modos de funcionamiento

Este equipo se puede utilizar en funcionamiento con extracción de aire o con funcionamiento de circulación de aire.

### Funcionamiento con extracción de aire



El aire aspirado se depura a través de filtros antigrasa y se evacua al exterior mediante un sistema de conductos.

**Nota:** La emisión de los gases no se debe canalizar hacia una chimenea de humo o de gases de escape que esté en funcionamiento, ni hacia un tiro que sirva para sacar el aire de las habitaciones donde haya equipos con fuego.

- Si los gases de escape se van a canalizar hacia una chimenea de humo o de gases de escape que no esté en funcionamiento, se tiene que conseguir la aprobación del especialista en chimeneas correspondiente.
- Si las emisiones de gases se canalizan a través del muro externo, se tiene que utilizar una caja telescópica para muros.

### Circulación del aire



El aire aspirado se limpia con un filtro de grasas y un filtro de carbón activado, y se vuelve a canalizar hacia la cocina.

**Nota:** Para controlar los olores en el aire en circulación se tiene que instalar un filtro de carbón activado. Las diferentes posibilidades de operar el equipo con circulación de aire las puede consultar de la información del folleto, o consultando a su distribuidor autorizado. Los accesorios necesarios para ello los puede conseguir en el comercio especializado, en el departamento de servicio al cliente, o en la tienda en línea.

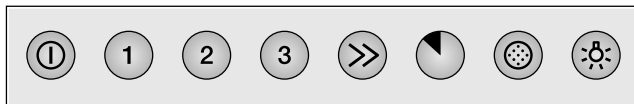
Cuando se use en modo de recirculación, usar solo el kit de conversión modelo AA210110/AA211812 para reducir el riesgo de incendio y de descarga eléctrica. Ver la sección «Accesorios» de este manual.

## Operar el equipo

**Nota:** Encender la campana extractora al empezar a cocinar y apagarla unos minutos después de haber finalizado con las tareas de cocción. De esta manera se neutralizarán con gran efectividad los vapores que se desprenden al cocinar.

### Operar el equipo

#### Tablero de control



#### Explicación

①	Ventilador encendido/apagado
1	Nivel de ventilador 1
2	Nivel de ventilador 2
3	Nivel de ventilador 3
>>	Nivel intensivo
⌚	Función de marcha en inercia
⊙	Indicador de saturación
💡	Luz encendida/apagada

### Ajustar el ventilador

#### Conectar

Para extraer el cajón del filtro, presionar levemente la maneta por el centro.

- 1 Encender el aparato con la tecla ①.  
El ventilador se pone en marcha en el nivel 2.
- 2 Ajustar el nivel de ventilación de acuerdo con la situación de cocción con las teclas 1, 2, 3 o >>.

#### Desconexión

Apagar el aparato con la tecla ①.

## Nivel intensivo

En caso de fuertes olores y vapores, utilizar el nivel intensivo.

- 1 Encender el aparato con la tecla ①.  
El ventilador se pone en marcha en el nivel 2.
- 2 Encender el nivel intensivo con la tecla >>. **Nota:** Si se ha pulsado la tecla mientras está funcionando la ventilación en el nivel 1, 2 o 3, el sistema electrónico vuelve automáticamente al nivel de ventilación previamente seleccionado transcurridos 5 minutos.
- 3 Para finalizar el nivel intensivo antes de tiempo, pulsar la tecla ① o la tecla de otro nivel de ventilador.

### Ajustar la duración del ciclo de cocción

Se puede ajustar la duración del ciclo cocción, transcurrida la cual, el nivel intensivo se apaga automáticamente.

Duración	Pulsar las teclas simultáneamente
3 minutos	>> y 1
5 minutos	>> y 2
10 minutos	>> y 3

En el estado de suministro vienen ajustados 5 minutos.

## Función de inercia

La función de marcha en inercia está disponible en cualquier nivel de ventilación.

- 1 Pulsar primero la tecla del nivel de ventilador deseado 1, 2, 3 o >> y a continuación la tecla ①.

### Notas

- El tiempo de desconexión automática es de diez minutos en todos los niveles de ventilador. La ventilación se apagará automáticamente una vez finalizado ese tiempo.
  - Si la iluminación está conectada, seguirá encendida.
- 2 Para finalizar la función de marcha en inercia antes de tiempo, pulsar la tecla ①.

## Ventilación a intervalos

En la ventilación a intervalos el aparato se conecta automáticamente durante cinco minutos por cada hora.

- 1 Encender el aparato con la tecla ①.  
El ventilador arranca en el nivel 2. La ventilación a intervalos se puede utilizar en el nivel 1, 2 o 3.
- 2 Pulsar dos veces la tecla de marcha en inercia ①.  
**Nota:** Este modo de funcionamiento se indica con la iluminación alterna de la tecla ① con el nivel correspondiente.
- 3 Pulsar la tecla ① para finalizar la ventilación a intervalos.

## Iluminación

La iluminación se puede encender y apagar de forma independiente de la ventilación.

Pulsar la tecla ☼.

### Ajuste del brillo

Mantener pulsada la tecla ☼ hasta conseguir el brillo deseado.

## Indicador de saturación

Transcurridas 30 horas de funcionamiento, parpadea el indicador de saturación ⑥ del filtro antigrasa.

- En ese momento se deben limpiar los filtros metálicos antigrasa. La limpieza del filtro de metal antigrasa se explica en el capítulo **Limpieza y cuidados del aparato.**
- Restablecer el indicador de saturación con la tecla ⑥ mientras parpadea.

---

## Limpieza y mantenimiento

---

---

### ADVERTENCIA

#### **Peligro de quemaduras**

El aparato se calienta durante el funcionamiento, sobre todo en la zona de las lámparas. Antes de proceder a la limpieza del aparato, dejar que se enfríe.

---

---

### ADVERTENCIA

#### **Peligro de descarga eléctrica**

Si penetra humedad puede causar una descarga eléctrica. Limpiar el aparato solo con un paño húmedo. Antes de la limpieza hay que desconectar el enchufe o los fusibles de la caja de fusibles.

---

---

### ADVERTENCIA

#### **Peligro de descarga eléctrica**

La humedad penetrante puede causar una descarga eléctrica. No use una hidrolavadora ni un limpiador por vapor.

---

---

### ADVERTENCIA

#### **Peligro de lesiones**

Los componentes dentro del equipo pueden tener bordes filosos. Utilice guantes protectores.

---

---

Zona	Productos de limpieza
------	-----------------------

---

Acero inoxidable

Agua caliente con jabón:  
Limpiar con un trapo y secar con un paño suave.

Limpiar las superficies de acero inoxidable siempre en la dirección del pulido.

Se pueden adquirir productos de limpieza de acero especiales en el Servicio de Asistencia Técnica o en comercios especializados. Aplicar una capa muy fina del producto de limpieza con un paño suave.

---

Superficies barnizadas

Agua caliente con jabón:  
Limpiar con un trapo húmedo y secar con un paño suave.

No usar limpiadores para acero inoxidable.

---

Aluminio y plástico

Limpiacristales:  
Limpiar con un paño suave.

---

Vidrio

Limpiacristales:  
Limpiar con un paño suave. No utilizar raspadores para cristal.

---

Elementos de control

Agua caliente con jabón:  
Limpiar con un trapo húmedo y secar con un paño suave.

Peligro de descarga eléctrica por humedad.

Peligro de daños por humedad en el interior del sistema electrónico. No limpiar nunca los elementos de control con un paño húmedo.

No usar limpiadores para acero inoxidable.

---

## Productos de limpieza

A fin de no dañar las distintas superficies con productos de limpieza inapropiados, consultar las indicaciones de la tabla. No usar en ningún caso:

- productos de limpieza abrasivos o corrosivos,
- productos de limpieza con un alto contenido de alcohol;
- estropajos o esponjas de fibra dura;
- limpiadores de alta presión o por chorro de vapor.

Lavar a fondo los paños de cocina nuevos antes de usarlos.

Tener en cuenta todas las instrucciones y avisos que incluyen los productos de limpieza.

## Limpiar los filtros metálicos para grasa

Este manual es válido para distintas versiones del aparato. Es posible que se describan características de equipamiento que sean aplicables a su aparato.

### **⚠ ADVERTENCIA**

#### **Peligro de incendio**

Los depósitos de grasa en el filtro de grasa se pueden incendiar.

**Limpié el filtro de grasa por lo menos cada dos meses.**

Nunca haga funcionar el equipo sin filtro de grasa.

### **Notas**

- No use productos de limpieza agresivos, o que contengan ácidos o lejía.
- Al limpiar los filtros metálicos para grasa, limpie también el soporte de los filtros en el equipo con un trapo húmedo.
- Los filtros metálicos los puede lavar en la máquina lavavajillas o a mano.

### **A mano:**

**Nota:** En caso de suciedad rebelde, se puede usar un solvente especial para la grasa. Este producto se puede solicitar en la tienda en línea.

- Deje que los filtros metálicos para grasa se aflojen en agua caliente con jabón para trastes.
- Utilice un cepillo para lavarlos, y después enjuague bien los filtros.
- Permita que se escurran bien los filtros metálicos.

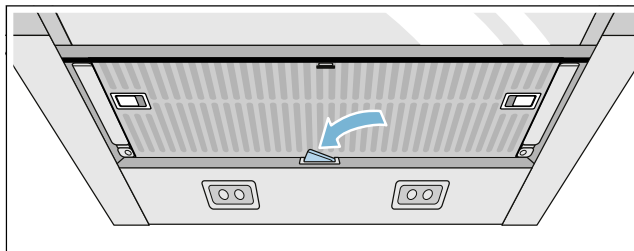
### **En el lavavajillas:**

**Nota:** La limpieza en el lavavajillas podría conllevar ligeras decoloraciones. Esto no afecta al funcionamiento normal de los filtros de metal antigrasa.

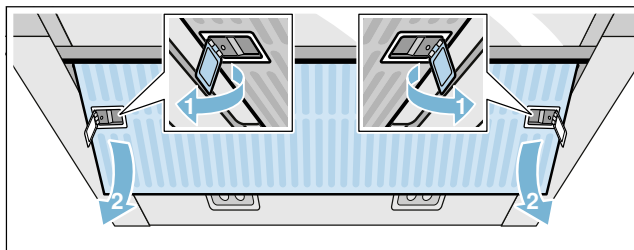
- No lavar los filtros de metal antigrasa junto con el resto de la vajilla si están muy sucios.
- Colocar debidamente los filtros de metal antigrasa en el lavavajillas. Los filtros de metal antigrasa no deben quedar aprisionados.

## Desmontar el filtro de metal antigrasa

- 1 Sacar el cajón del filtro extraíble y presionar el mecanismo Push-to-open.



- 2 Abrir el bloqueo del filtro de metal antigrasa e inclinar el filtro de metal antigrasa para sacarlo de la sujeción. Agarrar por debajo el filtro de metal antigrasa con la otra mano.



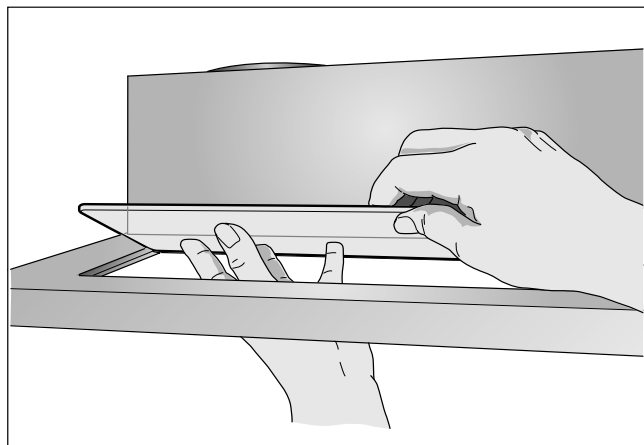
### **Notas**

- La grasa puede acumularse en la parte inferior del filtro de metal antigrasa.
- Sujetar el filtro de metal antigrasa en posición horizontal para evitar que gotee la grasa.

- 3 Limpiar el filtro de metal antigrasa.

Aparatos con placa de vidrio en el cajón del filtro:

- La placa de vidrio puede extraerse con facilidad y lavarse en el lavavajillas.
- Para extraer la placa de vidrio, levantarla con cuidado.



## Montar el filtro de metal antigrasa

- 1 Colocar el filtro de metal antigrasa de forma inclinada.  
Agarrar por debajo el filtro de metal antigrasa con la otra mano.
- 2 Plegar hacia arriba el filtro de metal antigrasa y fijar el bloqueo.
- 3 Volver a presionar el mecanismo Push-to-open y abrir.

**Nota:** El mecanismo Push-to-open debe estar accionado para garantizar el funcionamiento del cajón.

## ¿Qué hacer en caso de fallas?

Muchas veces podrá solucionar fácilmente usted mismo los fallos que aparezcan. Antes de llamar al servicio técnico, tome en cuenta las siguientes indicaciones.

### ⚠ ADVERTENCIA

#### Peligro de descarga eléctrica

Las reparaciones no profesionales son peligrosas. Solamente un técnico de servicio al cliente entrenado por nosotros puede realizar las reparaciones y cambiar las conexiones dañadas. Si el equipo presenta defectos, saque el enchufe o desconecte el disyuntor o el fusible de la caja de fusibles. Comuníquese con el servicio al cliente.

## Tabla de fallas

Falla	Posible causa	Solución
El equipo no funciona.	El enchufe no está conectado	Conectar el equipo a la red eléctrica
	Corte de luz	Verificar si están funcionando los demás aparatos de la cocina
	Fusible defectuoso	Revisar en la caja de fusibles si está bien el fusible del equipo

## Luces LED

La sustitución de las luces LED debe encomendarse siempre al fabricante, al Servicio de asistencia técnica o a profesionales autorizados (instaladores electricistas).

### ⚠ ADVERTENCIA

#### Riesgo de lesiones

La luz de las luces LED es muy deslumbrante y puede dañar los ojos (grupo de riesgo 1). No mirar más de 100 segundos directamente a las luces LED encendidas.

---

## Servicio al Cliente

---

Nuestro Servicio de Asistencia Técnica se encuentra a su disposición siempre que necesite la reparación de su aparato.


Indicar el número de producto (E) y el de fabricación (FD) para obtener un asesoramiento calificado. La placa de características con la numeración se encuentra en el interior del aparato (desmontar el filtro de metal antigrasa).

A fin de evitarse molestias llegado el momento, le recomendamos anotar los datos de su aparato así como el número de teléfono del Servicio de Asistencia Técnica en el siguiente apartado.

---

N.º de producto (E)	N.º de fabricación (FD)
---------------------	-------------------------

---

<b>Servicio de Asistencia Técnica</b> 	
---	--

---

Lea las instrucciones de uso y cuidado que se suministran con su aparato. De no hacerse, podría producirse un error en el uso del aparato con sus consecuentes llamadas de servicio innecesarias, que pueden no estar cubiertas por la garantía.

Las señas de las delegaciones internacionales figuran en la lista adjunta de centros y delegaciones del Servicio de Asistencia Técnica Oficial.

### Solicitud de reparación y asesoramiento en caso de averías

US 877 442 4436  
toll-free

## Accesorio

(no incluido de serie)

**Nota:** Este manual es válido para distintas variantes del aparato. Es posible que se muestren accesorios especiales que no correspondan a su aparato.

**Nota:** Prestar atención a las instrucciones de montaje para los accesorios.

---

### Equipo inicial:

Módulo de recirculación de aire CleanAir	AA211812
	AA210110

Filtro de repuesto para módulo de recirculación de aire CleanAir

---

### Marco de reducción:

Anchura del aparato 24" (60 cm)	AA210460
---------------------------------	----------

---

### Marco de reducción:

Anchura del aparato 36" (90 cm)	AA210490
---------------------------------	----------

---

### Juego de montaje:

Armario superior 36" (90 cm)	AA210491
------------------------------	----------

---



# INSTRUCCIONES DE SEGURIDAD IMPORTANTES

LEA Y CONSERVE ESTAS INSTRUCCIONES

INSTALADOR: DEJE ESTAS INSTRUCCIONES CON EL ELECTRODOMÉSTICO CUANDO HAYA FINALIZADO LA INSTALACIÓN.

IMPORTANTE: CONSERVE ESTAS INSTRUCCIONES PARA USO DEL INSPECTOR DE ELECTRICIDAD LOCAL.

---

## ADVERTENCIA

Si no sigue la información de este manual exactamente, se puede ocasionar un incendio o una descarga eléctrica que puede causar daños materiales o lesiones personales.

---

---

## ADVERTENCIA

No reparar, sustituir ni quitar ninguna pieza del electrodoméstico a menos que se recomiende de forma específica en los manuales. Una instalación, servicio o mantenimiento inadecuados pueden causar lesiones o daños materiales. Consultar este manual para recibir ayuda. Todos los demás servicios debe realizarlos un agente autorizado.

---

---

## ADVERTENCIA

ADVERTENCIA – PARA REDUCIR EL RIESGO DE INCENDIO, CHOQUE ELÉCTRICO O LESIONES A LAS PERSONAS, OBSERVE LAS SIGUIENTES RECOMENDACIONES:

- El trabajo de instalación y el cableado eléctrico deben realizarse por personal calificado conforme a todos los códigos y estándares aplicables, incluyendo construcción contra incendios.
  - Se requiere suficiente aire para la combustión y escape adecuado de gases por el conducto (chimenea) del equipo que quema combustible para evitar la contracorriente. Siga la directriz y las normas de seguridad del fabricante de equipos de calefacción, como las publicadas por La Asociación Nacional para la Protección contra Incendios (NFPA, por sus siglas en inglés) y la Sociedad Americana de Ingenieros en Calefacción, Refrigeración y Aire Acondicionado (ASHRAE, por sus siglas en inglés) y las autoridades locales correspondientes.
  - Al cortar o perforar la pared o el techo, no dañe el cableado eléctrico u otras instalaciones ocultas.
  - Los ventiladores entubados siempre deben ser ventilados hacia el exterior.
- 

---

## ADVERTENCIA

Al instalar la campana, deben cumplirse las reglamentaciones aplicables de las compañías de suministro de energía y las reglamentaciones regionales de construcción.

---

---

## ADVERTENCIA

### Peligro de incendio

Los depósitos de grasa en el filtro de grasa se pueden incendiar. Nunca trabaje con flama abierta cerca del equipo (por ejemplo con platillos flameados). Solamente instale el equipo cerca de un fogón para sustancias sólidas (p. ej. madera o carbón) si está disponible una cubierta cerrada que no se pueda quitar. No deben volar las chispas.

---



# INSTRUCCIONES DE SEGURIDAD IMPORTANTES

LEA Y CONSERVE ESTAS INSTRUCCIONES

---

## ADVERTENCIA

### Riesgo de incendio

Cuando se usan simultáneamente varios quemadores de gas se genera mucho calor. El aparato de ventilación puede dañarse o incendiarse. El aparato de ventilación solo puede combinarse con quemadores de gas que no superen una potencia total máxima de 61,000 BTU/hr (18 kW). Al exceder la potencia total de 41,000 BTU/hr (12 kW) se deben observar los reglamentos locales respecto a la ventilación del área, tamaño del área y combinación con aparatos de ventilación en el modo de aire de extracción o aire de circulación.

---

---

## ADVERTENCIA

Para reducir el riesgo de incendio y para hacer que el aire salga al exterior correctamente, asegúrese de que haya un conducto que lo dirija hacia afuera. No dirija el aire de salida hacia lugares cerrados, espacios dentro de paredes, techos, áticos, huecos sanitarios o garajes.

---

---

## ADVERTENCIA

A fin de reducir el riesgo de incendio, utilizar únicamente conducciones de metal.

---

---

## ADVERTENCIA

Cuando se utiliza la campana en modo de aire de escape simultáneamente con un quemador diferente que también usa la misma chimenea (como calentadores a gas, aceite o carbón, calentadores de flujo continuo, calentadores de agua) se debe asegurar que haya un suministro de aire fresco suficiente para las necesidades de combustión del quemador.

La operación segura es posible siempre que la subpresión de la habitación donde está instalado el quemador no supere los 4 Pa (0.04 mbar). Esto es posible si el aire de combustión puede circular a través de aberturas que no puedan trabarse, como ser en puertas y ventanas, y a través de cajas de entrada/salida de aire en la pared, o mediante otras medidas técnicas, como enclavamiento recíproco, etc.

---

---

## ADVERTENCIA

Evite la intoxicación por monóxido de carbono: proporcione una entrada de aire suficiente para que los gases de la combustión no vuelvan a ingresar en la habitación.

Una caja de entrada/salida de aire en la pared por sí sola no garantiza que no se superará el valor límite.

**Nota:** Al evaluar el requisito total, se debe tener en cuenta el sistema de ventilación combinado para todo el hogar. Esta norma no se aplica al uso de aparatos de cocina, como parrillas y hornos.

---

---

## ATENCIÓN

Solo para la ventilación general. No utilizar para la extracción de sustancias y vapores peligrosos o explosivos.

---

Peligro de daños por recirculación del vapor condensado. Instalar el canal de salida de aire del aparato ligeramente inclinado hacia abajo (1° de desnivel).

## Seguridad de manejo del electrodoméstico

La unidad es pesada y se requieren al menos dos personas o un equipo adecuado para trasladarla.

Las superficies ocultas pueden tener bordes filosos. Proceda con cuidado al intentar tomar el electrodoméstico por la parte trasera o desde abajo.

---

## ADVERTENCIA

### Riesgo de lesiones

Si el aparato no está fijado correctamente a la pared, puede caerse. Todos los elementos de fijación deben montarse debidamente.

---





# INSTRUCCIONES DE SEGURIDAD IMPORTANTES

LEA Y CONSERVE ESTAS INSTRUCCIONES

## Códigos y normas de seguridad

Este electrodoméstico cumple con la última versión de una o varias de las siguientes normas:

- UL 507 - Ventiladores eléctricos (Electric Fans)
- CAN/CSA C22.2 No. 113 - Ventiladores (Fans and Ventilators)

Es responsabilidad del instalador determinar si se aplican otros requisitos y/o normas en instalaciones específicas.

## Seguridad eléctrica

---

### ADVERTENCIA

#### INSTRUCCIONES PARA LA CONEXIÓN A TIERRA

Este aparato debe estar conectado a tierra. En caso de un cortocircuito eléctrico, la conexión a tierra reduce el riesgo de descarga eléctrica proporcionando un cable de escape para la corriente eléctrica.

Este aparato viene equipado con un cable con un enchufe de conexión a tierra. El enchufe debe colocarse en una toma de corriente adecuada que esté correctamente instalada y conectada a tierra.

---

---

### ADVERTENCIA

La incorrecta conexión a tierra puede causar una descarga eléctrica. Consulte a un electricista calificado si no comprende la totalidad de las instrucciones de conexión a tierra o si tiene alguna duda respecto de si el aparato está correctamente conectado a tierra. No use un cable de extensión. Si el cable de alimentación eléctrica es demasiado corto, solicite a un electricista calificado que instale una toma de corriente cerca del aparato.

---

---

### ADVERTENCIA

Antes de enchufar un cable eléctrico o activar el suministro eléctrico, asegúrese de que todos los controles están en la posición OFF.

---

Para los electrodomésticos equipados con cable y enchufe, no corte ni retire la espiga de conexión a tierra. Debe enchufarse en un receptáculo de conexión a tierra compatible para evitar descargas eléctricas. Si tiene alguna duda respecto de si el receptáculo de pared está correctamente conectado a tierra, el cliente debe solicitar la verificación de un electricista calificado.

Si el Código Nacional Eléctrico (o el Código Eléctrico Canadiense) así lo requiere, este electrodoméstico debe instalarse en un circuito derivado por separado.

---

### ADVERTENCIA

Para reducir el riesgo de choque eléctrico, no use este ventilador con ningún dispositivo de control de velocidad de estado sólido.

---

El instalador debe mostrar al propietario la ubicación del disyuntor o el fusible. Márquela para recordarla más fácilmente.

Antes de realizar la instalación, apague la alimentación eléctrica en el panel de servicio. Trabe el panel de servicio para impedir que se encienda accidentalmente la alimentación eléctrica.

---

### ADVERTENCIA

PARA REDUCIR EL RIESGO DE INCENDIO, CHOQUE ELÉCTRICO O LESIONES A LAS PERSONAS, OBSERVE LAS SIGUIENTES RECOMENDACIONES:

- Utilice esta unidad sólo de la manera indicada por el fabricante. Si tiene preguntas, póngase en contacto con el fabricante.
  - Antes de reparar o limpiar la unidad, desconecte el suministro eléctrico en el panel de servicio y bloquee el servicio desconectando las conexiones para evitar que se encienda accidentalmente.  
Cuando no pueda bloquearse la desconexión del servicio, coloque un aviso prominente de advertencia, como un letrero, en el panel de servicio.
- 

Asegúrese de que el electrodoméstico sea correctamente instalado y conectado a tierra por un técnico calificado. La instalación, las conexiones eléctricas y la conexión a tierra deben cumplir con todos los códigos correspondientes.



# INSTRUCCIONES DE SEGURIDAD IMPORTANTES

LEA Y CONSERVE ESTAS INSTRUCCIONES

---

## ADVERTENCIA

---

### **Peligro de descarga eléctrica**

Los componentes dentro del equipo pueden tener bordes filosos. Puede dañarse el cable de conexión. No retorcer ni constreñir el cable durante la instalación.

---

## **Seguridad del equipo relacionado**

Retire toda la cinta y el embalaje antes de usar el electrodoméstico. Destruya el embalaje después de desembalar el electrodoméstico. Nunca deje que los niños jueguen con el material de embalaje.

El electrodoméstico solamente deberá usarse si lo ha instalado un técnico calificado, de acuerdo con estas instrucciones de instalación. El fabricante no es responsable de ningún daño causado por una instalación incorrecta.

Nunca modifique ni altere la construcción del electrodoméstico. Por ejemplo, no retire las patas niveladoras, paneles, cubiertas para cables ni soportes/tornillos antivuelco.

## **Advertencia en virtud de la Proposición 65:**

Este producto puede contener un químico que el Estado de California reconoce como potencialmente cancerígeno o causante de daños reproductivos. Por tanto, su producto debe llevar en su embalaje la siguiente etiqueta de conformidad con la legislación de California:

**ADVERTENCIA EN VIRTUD DE LA PROPOSICIÓN 65 DEL  
ESTADO DE CALIFORNIA:**



**ADVERTENCIA**

Cáncer y daño reproductivo - [www.P65Warnings.ca.gov](http://www.P65Warnings.ca.gov)

## Antes de empezar

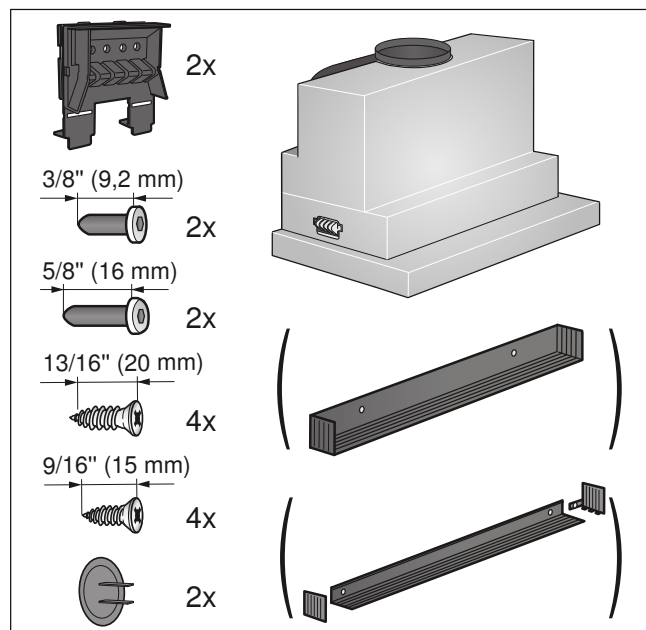
Este manual es válido para distintas versiones del aparato. Es posible que se describan características de equipamiento que sean aplicables a su aparato.

## Herramientas y piezas necesarias

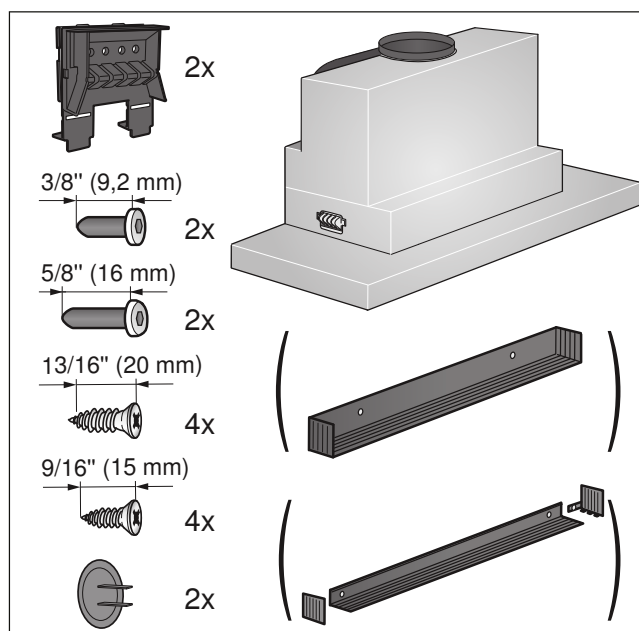
- Cinta métrica
- Lápiz
- Desarmador Torx TX20
- Taladro con las siguientes brocas: 5/16" (8 mm)
- Nivel de burbuja
- Cinta de aluminio (NO usar cinta aislante)
- Conducto de salida de aire (la configuración depende de la situación de montaje).
- Además, tornillos para chapa (en caso de que sea necesario para la instalación del conducto de salida del aire)

## Piezas incluidas

Electrodoméstico de ancho 24" (60 cm):



Electrodoméstico de ancho 36" (90 cm):



## Distancias de seguridad

### ⚠ ADVERTENCIA

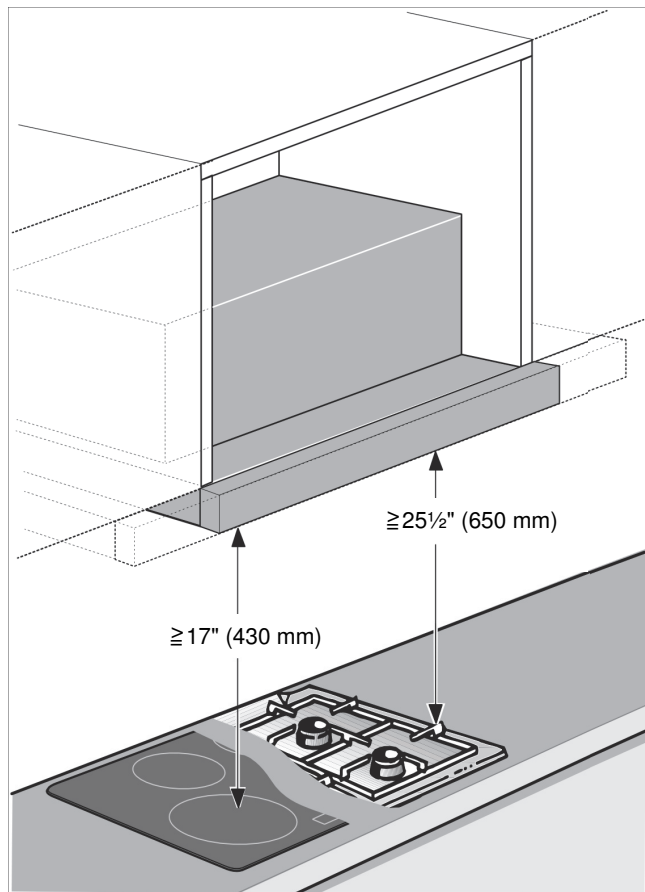
#### Riesgo de incendio

Los depósitos de grasa del filtro antigrasa pueden prenderse. Hay que respetar las distancias de seguridad estipuladas para evitar una condensación del calor. Se deben tener en cuenta las indicaciones del recipiente de cocción. Si se utilizan conjuntamente zonas de cocción de gas y eléctricas, aplicará la distancia indicada más grande.

Solo un lado del aparato debe instalarse directamente junto al gabinete en alto o pared. La distancia respecto a la pared o al gabinete en alto debe ser por lo menos de 2" (50 mm).

La distancia entre las superficies de apoyo sobre la placa de cocción y la parte inferior de la campana extractora no debe ser menor que 17 pulg (430 mm), en caso de placas de cocción eléctricas, y 25½ pulg (650 mm), en caso de estufas de gas o combinadas.

Cuando las instrucciones de instalación de la estufa de gas establecen una distancia mayor, esta deberá tenerse en cuenta.



---

## Información General

---

- Este aparato está diseñado para su instalación en un armario superior.
- Para accesorios especiales adicionales (p. ej., para el funcionamiento con recirculación de aire) se han de tener en cuenta las instrucciones de instalación correspondientes.
- Las superficies del aparato son sensibles. Evitar daños durante la instalación.

## Funcionamiento con extracción de aire

---

### ⚠ ADVERTENCIA

---

#### ¡Riesgo de muerte!

Los gases de combustión que se vuelven a aspirar pueden ocasionar intoxicaciones. La salida de aire no debe transmitirse ni a una chimenea de humos o gases de escape en servicio ni a un hueco que sirva como ventilación de los recintos de instalación de equipos calefactores. Si la salida de aire se va a evacuar en una chimenea de humos o gases de escape que no está en servicio, será necesario contar previamente con la aprobación correspondiente del técnico competente de la zona.

---

Si la salida de aire se evacua mediante la pared exterior, se deberá utilizar un pasamuros telescópico.

## Conducto de escape

**Nota:** La garantía del fabricante del aparato no cubre las reclamaciones que se atribuyan al segmento de conductos.

- El aparato alcanza su potencia óptima con un conducto de salida de aire rectilíneo y corto, que tenga un diámetro lo más grande posible.
- Mediante conductos de salida de aire largos y rugosos, con muchos codos o con un diámetro inferior a 6" (150 mm), no se consigue la capacidad de aspiración óptima y los ruidos del ventilador serán mayores.
- Los tubos o las mangueras para el tendido del conducto de salida del aire deben estar fabricados con material no inflamable.

### Conductos redondos

Se recomienda un diámetro interior de 6" (150 mm); el diámetro mínimo es de 4<sup>3</sup>/<sub>4</sub>" (120 mm) en todo caso.

### Conductos planos

La sección interior debe corresponder al diámetro de los conductos redondos.

**6" (150 mm) Ø; aprox. 27<sup>1</sup>/<sub>2</sub> pulg. cuadrada (177 cm<sup>2</sup>)**

**4<sup>3</sup>/<sub>4</sub>" (120 mm) Ø; aprox. 26<sup>3</sup>/<sub>4</sub> pulg. cuadrada (113 cm<sup>2</sup>)**

- Los conductos planos no deben presentar desvíos pronunciados.
- Si los diámetros del conducto difieren de lo anteriormente mencionado, utilizar cintas sellantes.

## Preparación de los muebles

- El mueble empotrado debe orientarse horizontalmente y debe ser suficientemente resistente.
- El peso máximo de la campana extractora es de 40 lb (18 kg).

### Dimensiones del aparato y distancias de seguridad

- Prestar atención a las dimensiones del aparato.
- Tener en cuenta las distancias de seguridad.

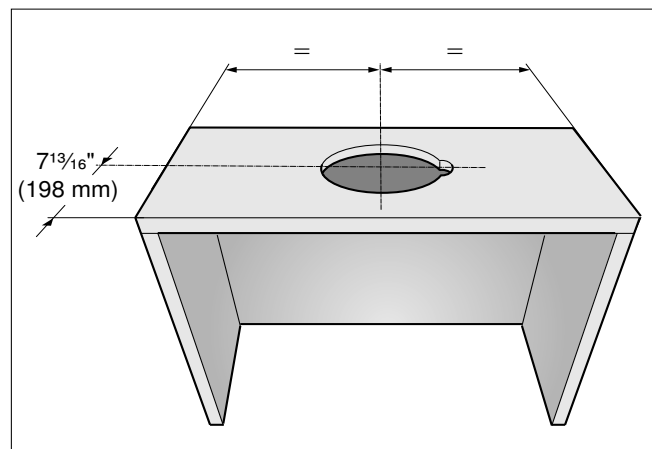
En caso de que la distancia indicada en las instrucciones de instalación de los aparatos de cocción por gas sea diferente, tener siempre en cuenta la distancia más grande.

Los muebles empotrados deben ser resistentes a temperaturas de hasta 194° F (90 °C). La estabilidad del mueble empotrado debe quedar garantizada incluso tras el trabajo de corte.

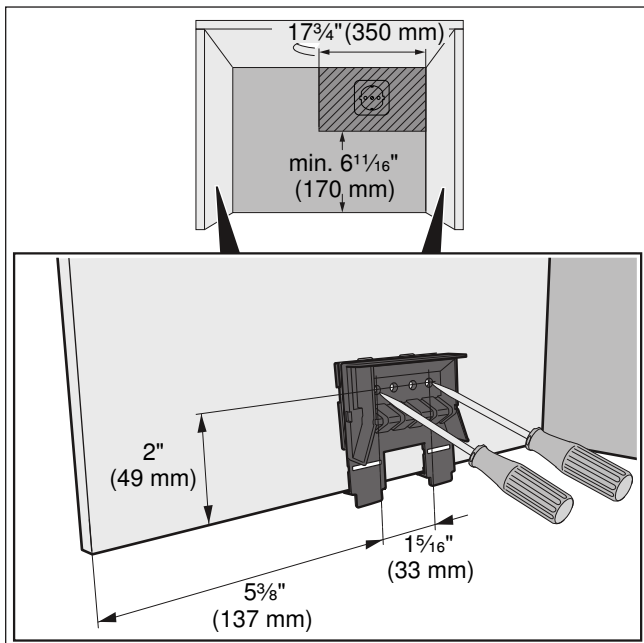
Esta campana extractora debe montarse en un armario superior con las siguientes dimensiones:

Anchura	24" (600 mm)
Profundidad	min. 12 <sup>5</sup> / <sub>8</sub> " (320 mm)
Profundidad	min. 13 <sup>3</sup> / <sub>4</sub> " (350 mm) con marco de reducción
Altura	min. 16 <sup>9</sup> / <sub>16</sub> " (420 mm)
Altura	min. 24" (600 mm) con módulo de recirculación de aire CleanAir

- 1 Hacer el corte para el tubo de salida de aire. Para ello, realizar un orificio en el panel superior o posterior del armario de montaje con una perforación adicional para el cable de alimentación.

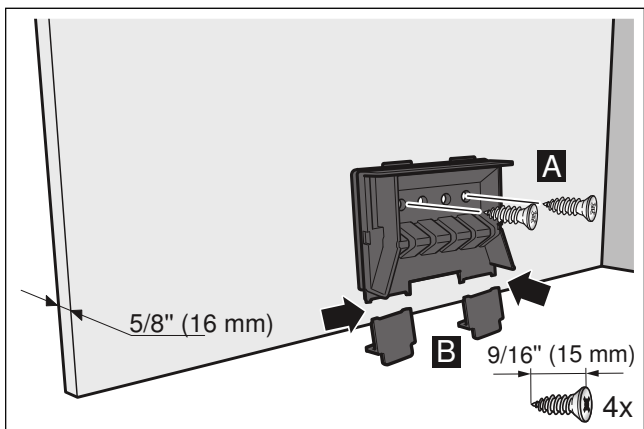


- Retirar el panel inferior del armario si cuenta con él. Trazar los puntos de fijación en los interiores del armario y marcarlos con un buril. Para marcar los puntos de fijación, utilizar la pieza de fijación adjunta.



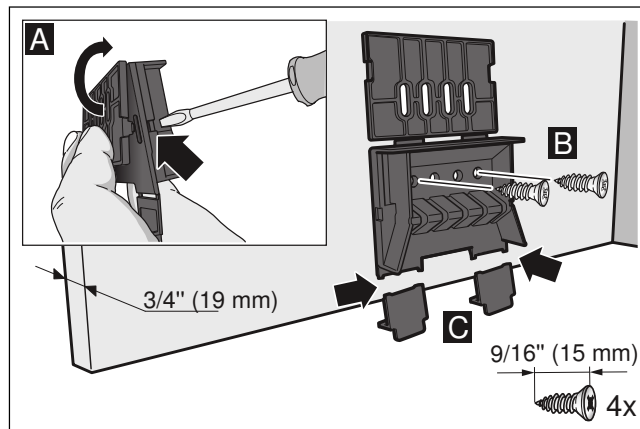
**Grosor de la pared del cuerpo : 5/8" (16 mm)**

- Fijar con tornillos las piezas de fijación situadas a la izquierda y derecha del cuerpo. **A**
- Extraer las lengüetas inferiores de las piezas de fijación. **B**



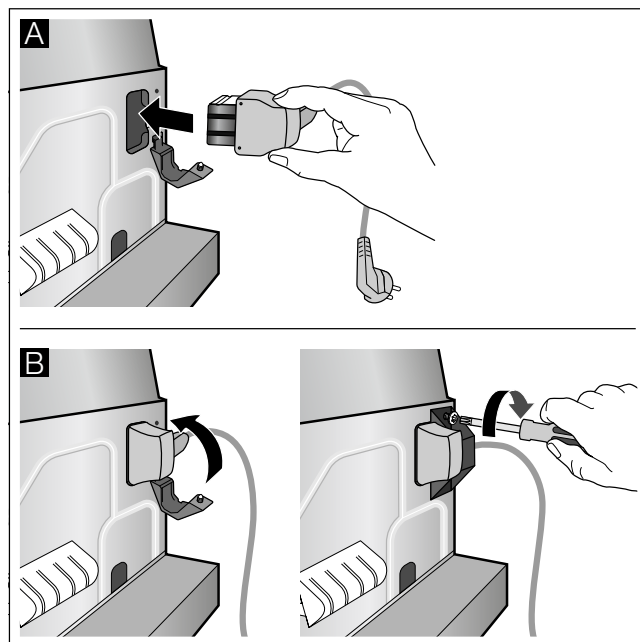
**Grosor de la pared del cuerpo: 3/4" (19 mm)**

- Abatir las lengüetas situadas en ambos lados de las piezas de fijación. **A**
- Fijar con tornillos las piezas de fijación situadas a la izquierda y derecha del cuerpo. **B**
- Extraer las lengüetas inferiores de las piezas de fijación. **C**



**Preparar el aparato**

- Conectar al aparato el cable de alimentación suministrado. **A**
- Asegurar el cable de alimentación con la brida antitracción. **B**



---

## Conexión eléctrica

---

---

### ADVERTENCIA

---

#### **Peligro de descarga eléctrica**

Los componentes dentro del equipo pueden tener bordes filosos. Puede dañarse el cable de conexión. No retorcer ni constreñir el cable durante la instalación.

---

Los datos de conexión necesarios figuran en la etiqueta de características ubicada en el interior del aparato (para ello, desmontar el filtro de metal antigrasa).

**Longitud del cable de conexión: aprox. 4¼ ft (1.30 m)**

Este aparato cumple con las disposiciones en materia de supresión de interferencias de la CE.

---

### ADVERTENCIA

---

#### **Peligro de descarga eléctrica**

Debe ser posible desenchufar el aparato de la red eléctrica en cualquier momento. El aparato solo podrá conectarse a una toma de corriente de instalación reglamentaria y provista de toma de tierra.

Después de instalar el aparato, se debe poder acceder al enchufe del cable de alimentación. En el caso de que no sea posible, se debe instalar un dispositivo de separación omnipolar en la instalación eléctrica fijada, de acuerdo con las condiciones de la categoría de sobretensión III y las normas de instalación.

Solo un electricista cualificado puede efectuar la instalación eléctrica fija. Se recomienda la instalación de un interruptor de corriente de defecto (interruptor diferencial) en el circuito de alimentación del aparato.

---

El amperaje máximo de los disyuntores derivados, la sección de los cables y las conexiones deben ser conformes con los requisitos del Reglamento electrotécnico nacional o el Reglamento eléctrico canadiense, así como con todos los demás reglamentos y disposiciones locales.

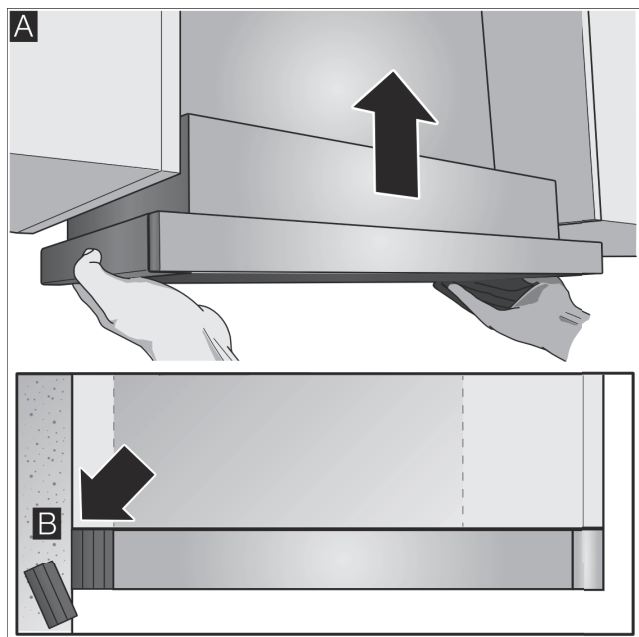
### **Este aparato tiene conexión con un enchufe**

- El enchufe debe ser conforme con las CONFIGURACIONES NEMA PARA ENCHUFES Y CAJAS.
- El aparato debe estar debidamente conectado a tierra.
- El enchufe debe ser, como mínimo, de tipo 6-20 P (puesta a tierra de 2 polos y 3 conductores).
- La conexión del enchufe debe ser realizada únicamente por un técnico electricista cualificado.
- Instalar una base de enchufe aprox. 27" (700 mm) por encima del suelo y detrás del aparato de acuerdo con la normativa. Debe garantizarse el acceso a la base de enchufe después de su instalación.

## Instalar

### Enganchar el aparato

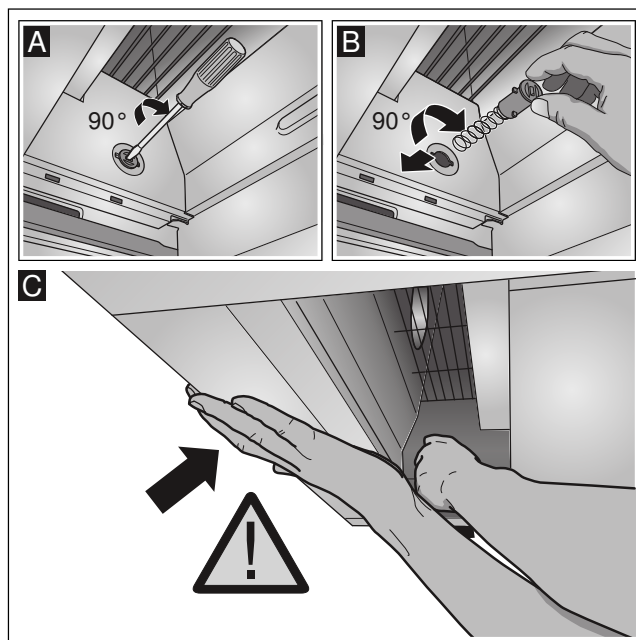
- 1 Enganchar y nivelar el aparato. **A**
- 2 Medir la distancia del aparato a la pared y marcarla en el listón terminal de la pared. **B**
- 3 En caso necesario, acortar el listón terminal de la pared a la medida requerida. **B**



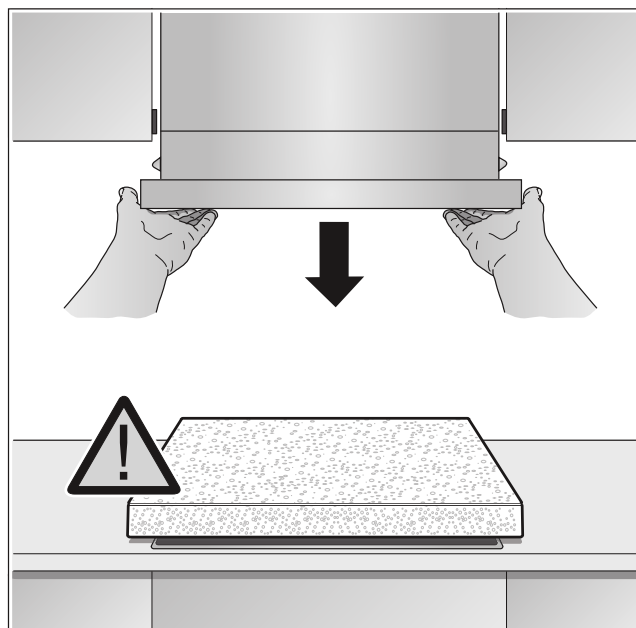
### Enganchar el aparato

**Nota:** Antes de descolgar el aparato, proteger la placa de cocción con un trozo de poliestireno del embalaje.

- 1 Presionar el perno de fijación con un destornillador plano y girarlo 90° hasta que se desenclave. **A**
- 2 Presionar levemente y girar el perno de fijación con los dedos hasta que se suelte de la carcasa junto con el resorte. **B**  
Tirar del perno de fijación con suavidad mientras se sujeta el aparato con la otra mano. **C**

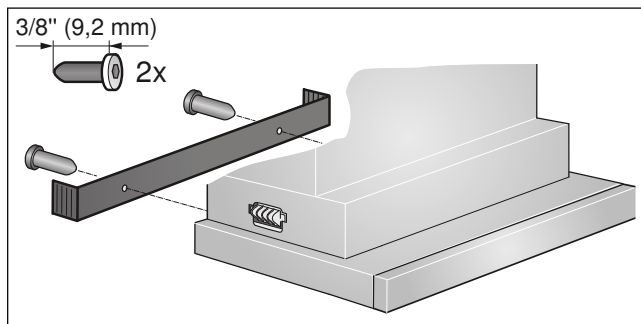


- 3 Extraer con cuidado el aparato.





- 4 Atornillar el listón terminal de la pared.

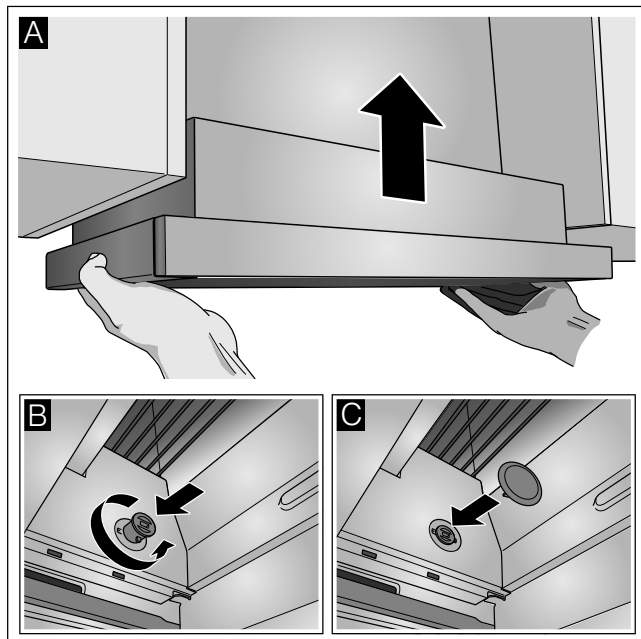


- 5 Presionar el perno de fijación y girarlo 90°.

**Nota:** Las piezas de fijación situadas a la izquierda y derecha del aparato deben poder moverse.

## Montaje final

- 1 Enganchar el aparato. **A**
- 2 Asegurar los pernos de fijación a la derecha e izquierda. **B**
- 3 Enganchar los tapones protectores a la izquierda y la derecha. **C**



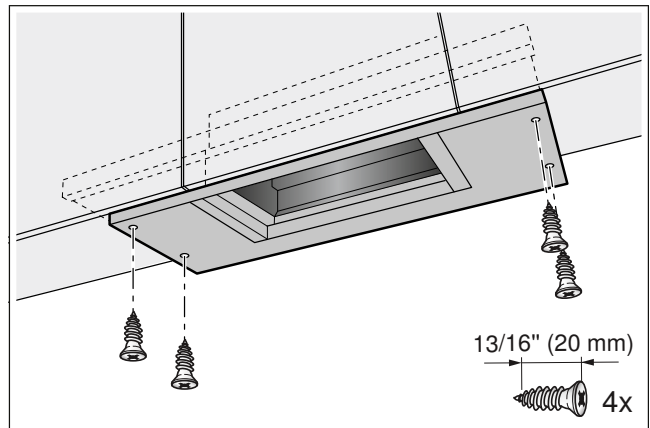
- 4 Establecer la conexión eléctrica.

**Nota:** La carcasa de la campana extractora puede taparse dentro del armario superior. Para ello debe prestarse atención a lo siguiente:

- El panel intermedio no debe reposar sobre la carcasa de la campana extractora.
- No debe fijarse el revestimiento delantero a la carcasa.
- Debe preverse la posibilidad de acceso para el cambio de filtro y los trabajos del Ser. Aten. Cliente.

### Anchura del aparato 36" (90 cm):

Atornillar también el aparato a los armarios superiores laterales.



## Fijar las uniones del tubo

**Nota:** Si se utiliza un tubo de aluminio, pulir previamente la zona de conexión.

### Conducto de salida de aire Ø 6" (150 mm) (tamaño recomendado)

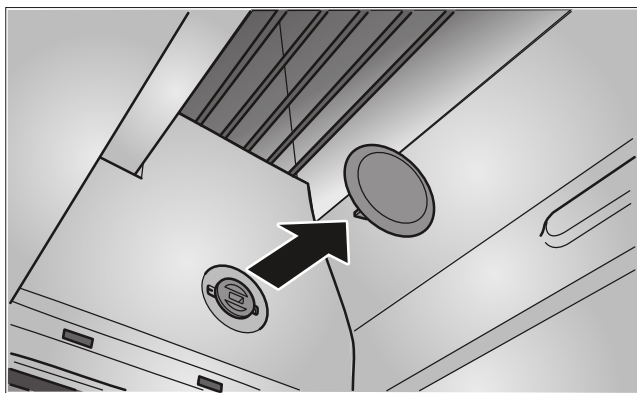
Fijar sellar el tubo de aire de salida directamente en la tubuladura de aire.

### Tubo de salida de escape Ø 4¾" (120 mm)

- 1 Fijar la pieza reductora directamente en la tubuladura de aire.
- 2 Fijar el conducto de salida de aire en la pieza reductora.
- 3 Sellar adecuadamente los dos puntos de unión.

## Desmontar el aparato

- 1 Soltar la conexión eléctrica.
- 2 Soltar las uniones del tubo.
- 3 Desmontar el filtro metálico antigrasa.
- 4 Retirar los tapones protectores de las fijaciones.



- 5 Descolgar el aparato, ver el apartado «Descolgar el aparato».



**Gaggenau**

BSH Home Appliance Corporation  
1901 Main Street, Suite 600  
Irvine, CA 92614  
+1.877.442.4436  
USA  
[www.gaggenau.com](http://www.gaggenau.com)

© 2024 BSH Home Appliances

